



Document Number	Issue Date	Rev. Date
DPL 83065	05/27/09	2/2/22

C20 Series Transmission Dimensional Drawings

As used with S100 Pump Models

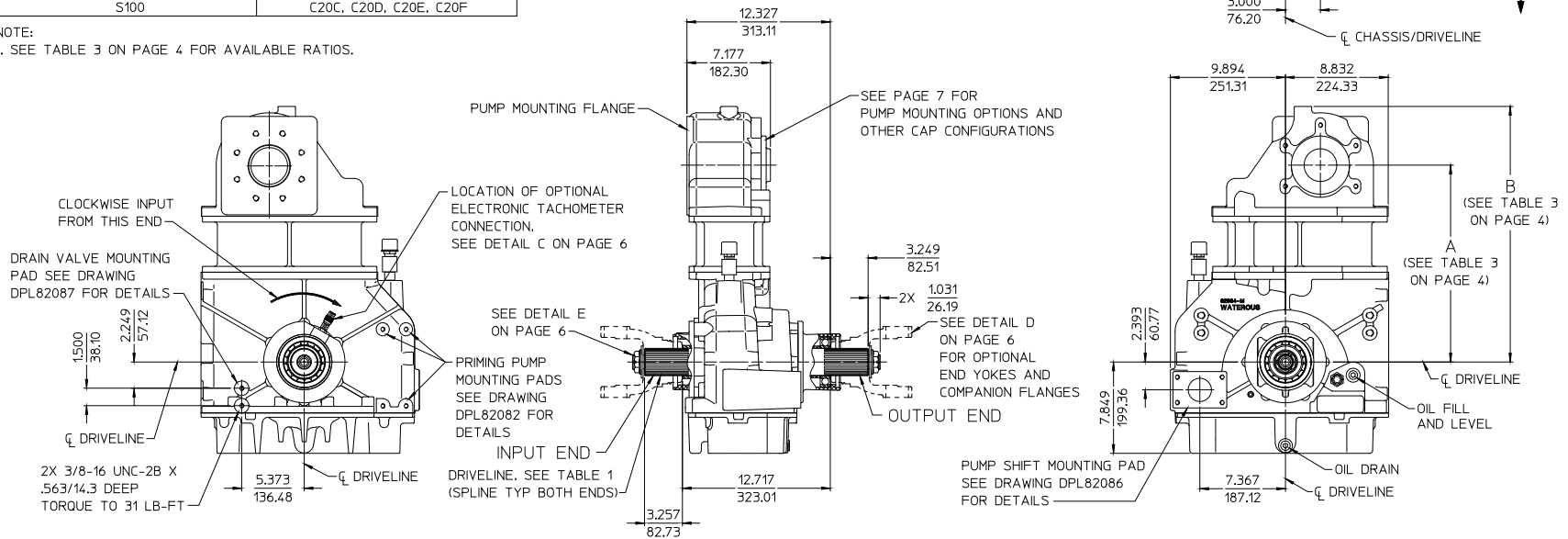
Contents:

Item	See Page	
	Input and Output Shaft	Input Shaft Only
C20 Models	2	3
Ratio and Drop Dimensions	4	4
Mounting Bracket Attachment Locations	5	5
Optional End Yokes and Companion Flanges	6	6
Electronic Tachometer Connection		
Optional Hydraulic Pump Mounting Provision	7	7

TABLE 1 - AVAILABLE DRIVELINE / MODELS							
DRIVELINE			OPTIONAL END YOKES AND COMPANION FLANGES AVAILABLE FROM WATEROUS, SEE DETAIL C ON PAGE 9				MODEL
TYPE	SIZE	SPLINE	YOKE		CROSS AND BEARING KIT	COMPANION FLANGE	
EXTRA HEAVY DUTY	2.35 INCH	2.350-46T INVOLUTE	SPICER SERIES	PART NUMBER	V 2839	1480/1610	V 3719
			1710	V 2837			
			1810	V 2838			
			SPL140	V 3388			
			1810 HR	V 4102	-	-	-

TABLE 2 - C20 SERIES TRANSMISSION AVAILABLE FOR:	
PUMP MODEL	TRANSMISSION MODEL
S100	C20C, C20D, C20E, C20F

NOTE:
1. SEE TABLE 3 ON PAGE 4 FOR AVAILABLE RATIOS.



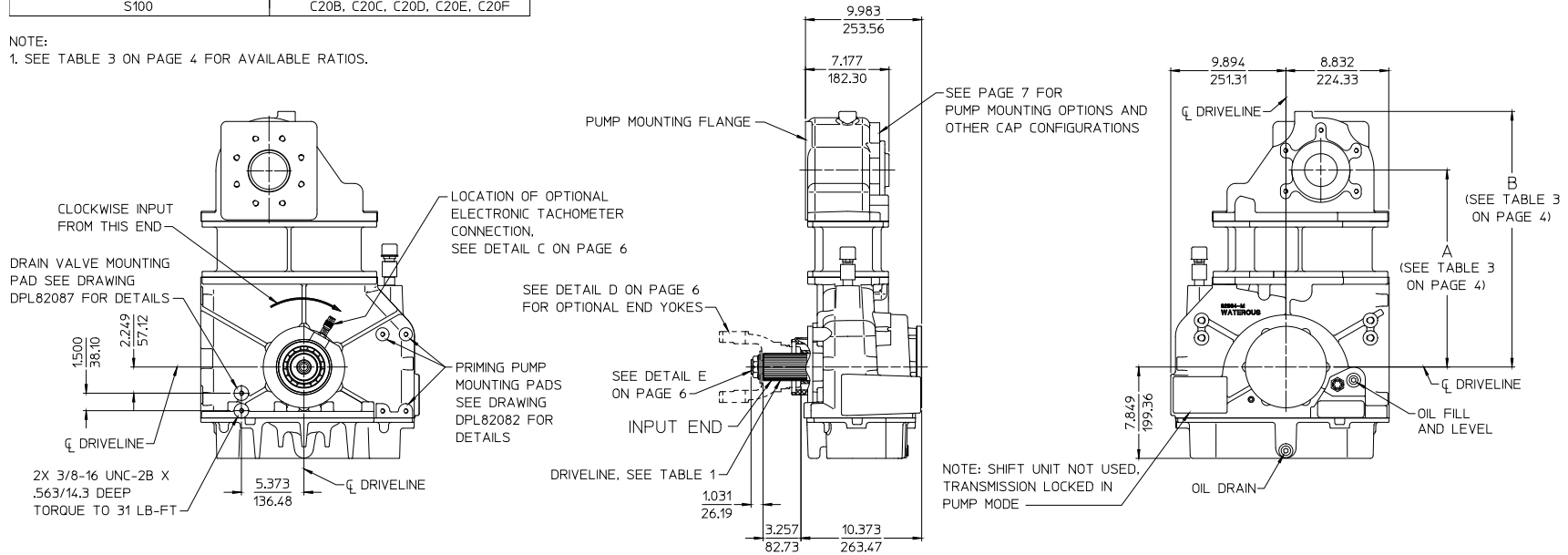
ALL DIMENSIONS SHOWN AS INCH/MILLIMETER
(INCH / MILLIMETER)

C20 MODELS
INPUT AND OUTPUT SHAFT
SPLIT SHAFT DRIVE, CLOCKWISE INPUT
PUMP MOUNTED ON FRONT (INPUT SHAFT SIDE) OF TRANSMISSION CONFIGURATION SHOWN
(C20E 2.27 RATIO SHOWN)

TABLE 1 - AVAILABLE DRIVELINE / MODELS							
DRIVELINE			OPTIONAL END YOKES AND COMPANION FLANGES AVAILABLE FROM WATEROUS, SEE DETAIL C ON PAGE 9				MODEL
TYPE	SIZE	SPLINE	YOKE		CROSS AND BEARING KIT	COMPANION FLANGE	
EXTRA HEAVY DUTY	2.35 INCH	2.350-46T INVOLUTE	SPICER SERIES	PART NUMBER	V 2839	SPICER SERIES	PART NUMBER
			1710	V 2837		1480/1610	V 3719
			1810	V 2838		1650/1710	V 3619
			SPL140	V 3388		ISO 8667	63714
			1810 HR	V 4102		-	-

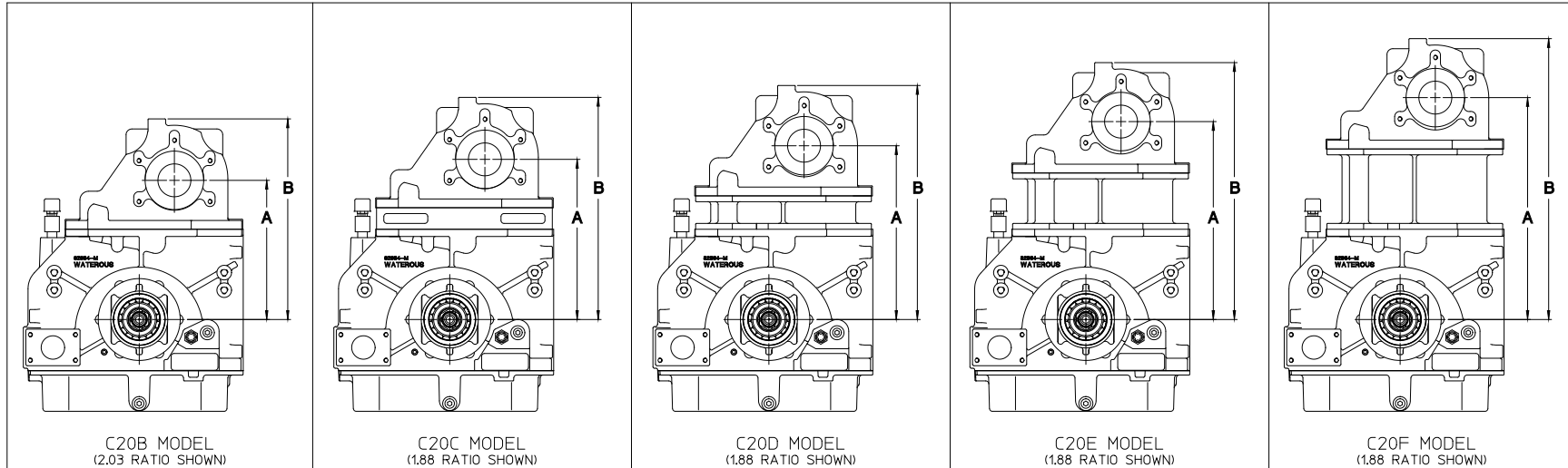
TABLE 2 - C20 SERIES TRANSMISSION AVAILABLE FOR:	
PUMP MODEL	TRANSMISSION MODEL
S100	C20B, C20C, C20D, C20E, C20F

NOTE:
1. SEE TABLE 3 ON PAGE 4 FOR AVAILABLE RATIOS.



ALL DIMENSIONS SHOWN AS INCH/MILLIMETER
(INCH / MILLIMETER)

C20 MODELS
INPUT SHAFT ONLY
SPLIT SHAFT DRIVE, CLOCKWISE INPUT
PUMP MOUNTED ON FRONT (INPUT SHAFT SIDE) OF TRANSMISSION CONFIGURATION SHOWN
(C20E 2.27 RATIO SHOWN)



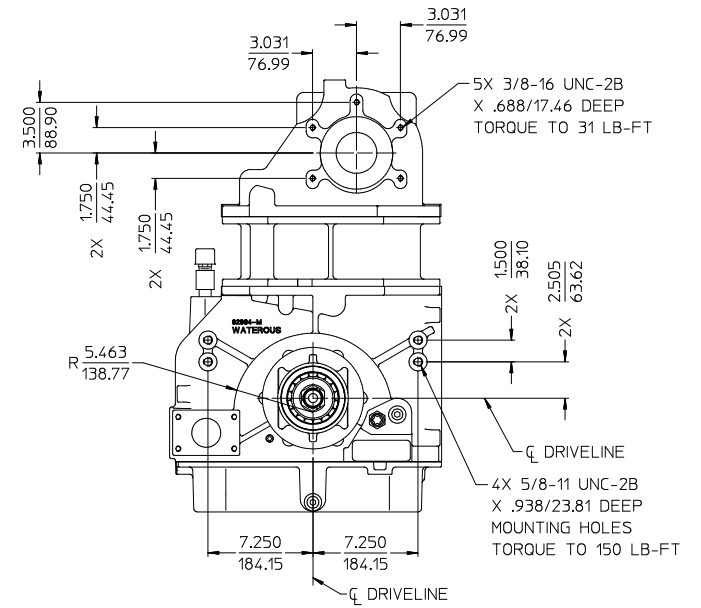
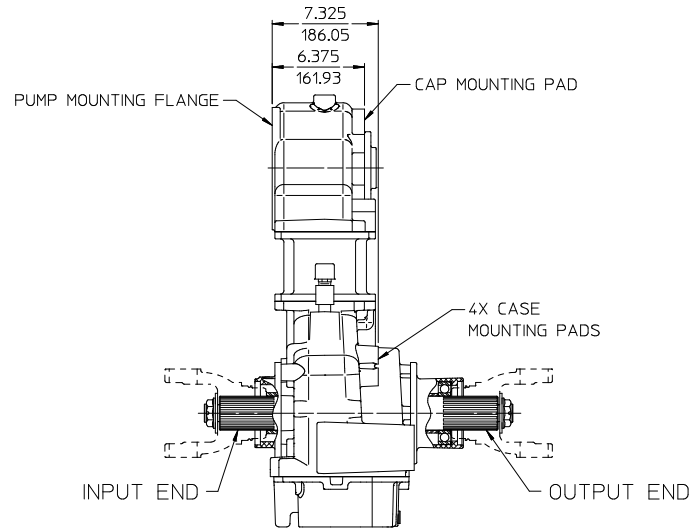
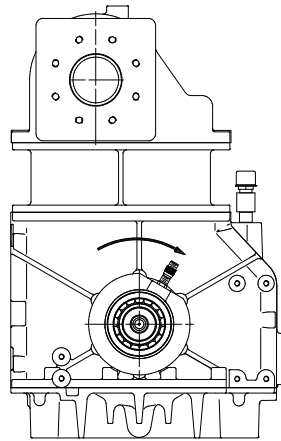
* INPUT COUPLING SHAFT ONLY

TABLE 3 - AVAILABLE RATIOS

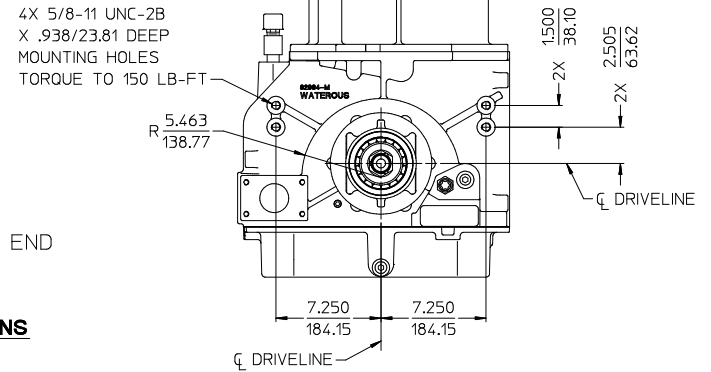
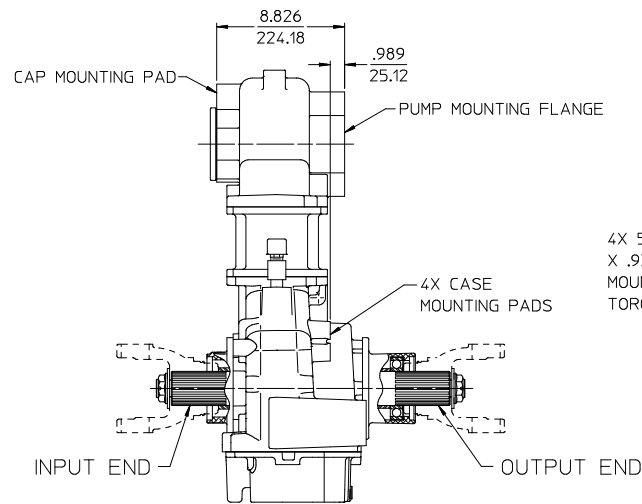
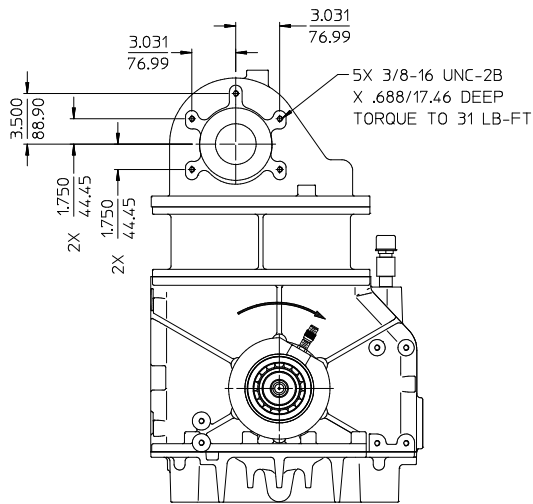
DRIVE TO DRIVEN RATIO	* C20B		C20C		C20D		C20E		C20F	
	DIMENSION A	DIMENSION B	DIMENSION A	DIMENSION B	DIMENSION A	DIMENSION B	DIMENSION A	DIMENSION B	DIMENSION A	DIMENSION B
1.27	12.250/311.15	17.194/436.73	14.312/363.52	19.256/489.10	14.825/376.56	20.078/509.98	16.861/428.27	22.011/559.08	18.892/479.86	24.042/610.67
1.41	11.840/300.74	17.149/435.58	13.899/353.03	19.049/483.84	14.931/379.25	20.081/510.06	16.971/431.06	22.011/559.08	19.002/482.65	24.042/610.67
1.48	12.326/313.08	17.270/438.66	13.878/352.50	19.131/485.93	14.907/378.64	20.057/509.45	16.951/430.56	21.991/558.57	18.981/482.12	24.021/610.13
1.58	12.205/310.01	17.149/435.58	13.756/349.40	19.009/482.83	14.788/375.62	20.041/509.04	16.830/427.48	21.980/558.29	18.861/479.07	24.011/609.88
1.69	12.290/312.17	17.234/437.74	13.839/351.51	18.989/482.32	14.876/377.85	20.026/508.66	16.923/429.84	22.073/560.65	18.961/481.61	24.111/612.42
1.79	11.958/303.73	17.211/437.16	14.045/356.74	18.989/482.32	15.072/382.83	20.016/508.41	17.127/435.03	22.071/560.60	19.168/486.87	24.112/612.44
1.88	12.129/308.08	17.169/436.09	13.690/347.73	18.999/482.57	14.717/373.81	20.026/508.66	16.773/426.03	22.026/559.46	18.814/477.88	24.067/611.30
1.97	12.306/312.57	17.250/438.15	13.870/352.30	19.020/483.11	14.912/378.76	20.062/509.57	16.970/431.04	22.010/559.05	19.016/483.01	24.056/611.02
2.03	11.896/302.16	17.149/435.58	13.984/355.19	19.024/483.21	15.028/381.71	20.068/509.73	17.086/433.98	22.030/559.56	19.132/485.95	24.076/611.53
2.27	12.240/310.90	17.184/436.47	13.811/350.80	19.064/484.23	14.856/377.34	20.006/508.15	16.920/429.77	21.960/557.78	18.971/481.86	24.011/609.88
2.46	11.941/303.30	17.194/436.73	14.036/356.51	19.082/484.68	15.087/383.21	20.031/508.79	17.154/435.71	22.098/561.29	19.205/487.81	24.149/613.38
2.68	12.169/309.09	17.209/437.11	13.746/349.15	18.999/482.58	14.793/375.74	20.046/509.17	16.865/428.37	22.015/559.18	18.923/480.64	24.073/611.45

RATIO AND DROP DIMENSIONS

ALL DIMENSIONS SHOWN AS INCH/MILLIMETER
 (INCH)
 (MILLIMETER)

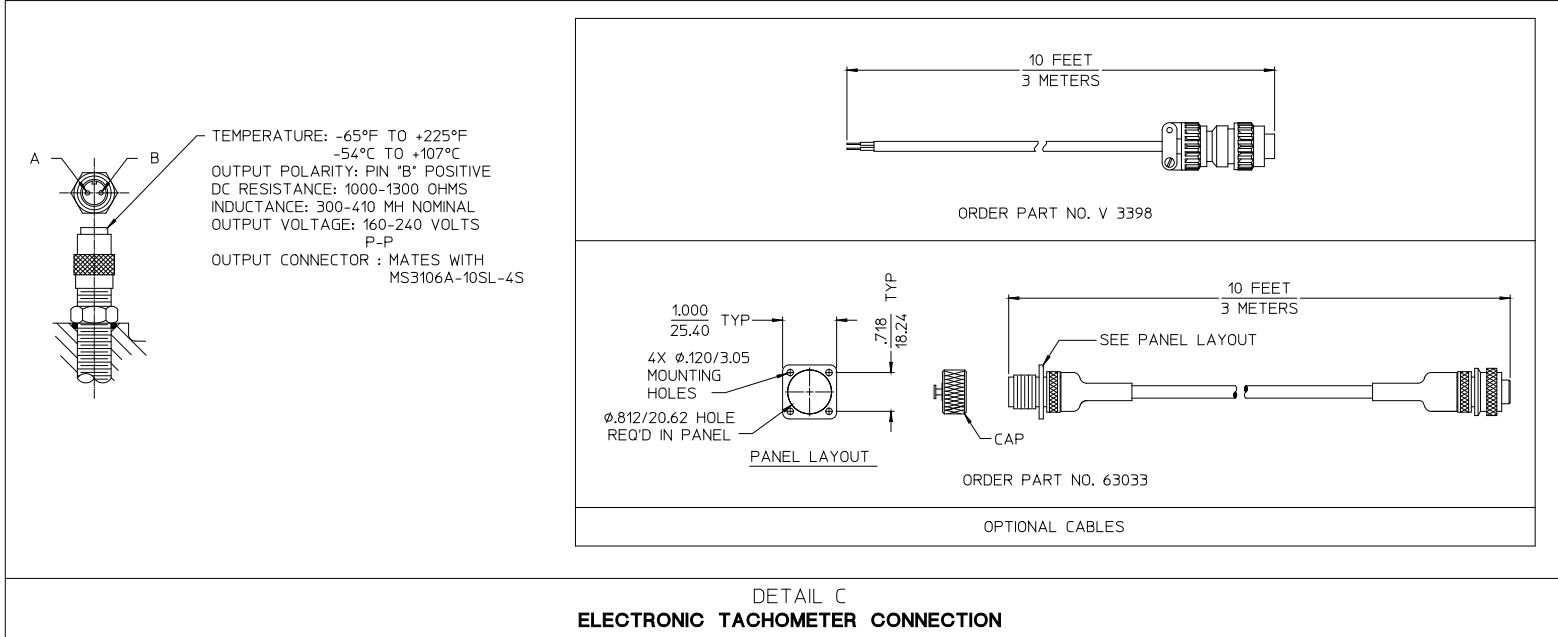


**MOUNTING BRACKET ATTACHMENT LOCATIONS
FRONT MOUNTED (INPUT SIDE)**

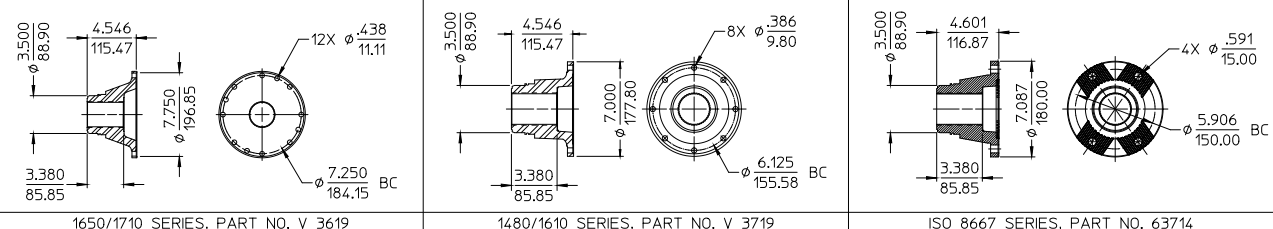
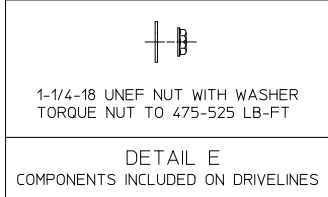
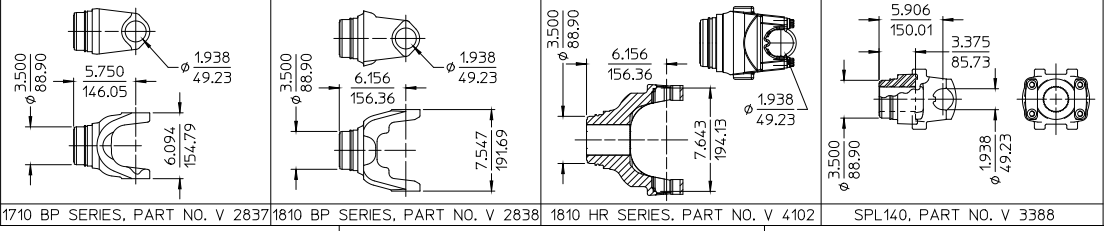


ALL DIMENSIONS SHOWN AS INCH/MILLIMETER
(INCH
MILLIMETER)

**MOUNTING BRACKET ATTACHMENT LOCATIONS
REAR MOUNTED (OUTPUT SIDE)**

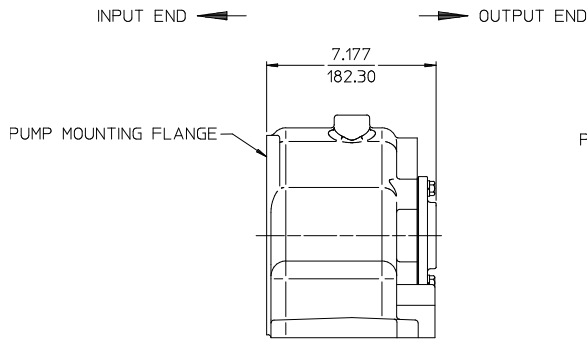


DETAIL C
ELECTRONIC TACHOMETER CONNECTION

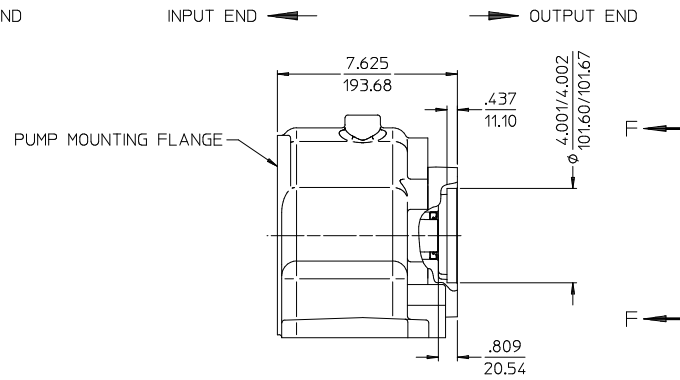


DETAIL D
OPTIONAL END YOKES AND COMPANION FLANGES

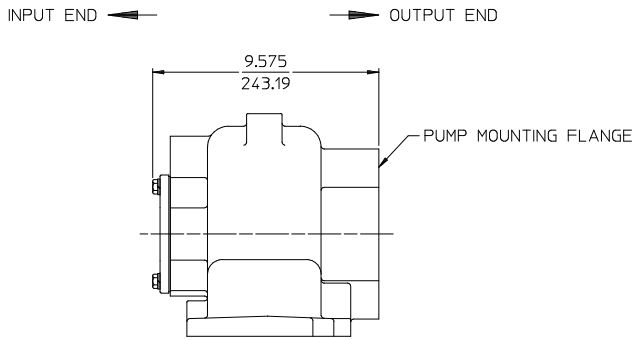
ALL DIMENSIONS SHOWN AS INCH/MILLIMETER
 (INCH
 MILLIMETER)



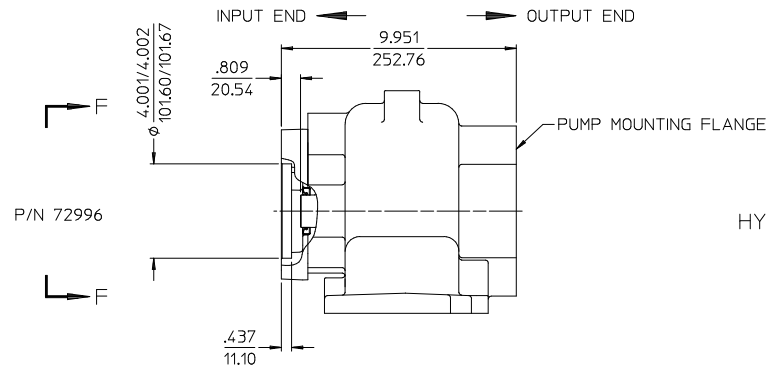
FRONT MOUNTED (INPUT SIDE)
WITHOUT SAE HYDRAULIC FLANGE



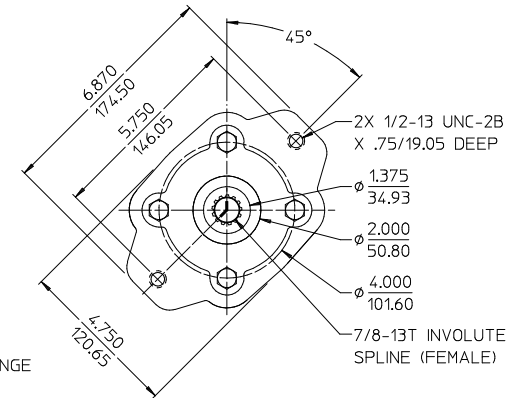
FRONT MOUNTED (INPUT SIDE)
WITH SAE HYDRAULIC FLANGE



REAR MOUNTED (OUTPUT SIDE)
WITHOUT SAE HYDRAULIC FLANGE



REAR MOUNTED (OUTPUT SIDE)
WITH SAE HYDRAULIC FLANGE



VIEW F-F
HYDRAULIC PUMP ADAPTER FLANGE
USED FOR SAE J744 CLASS B 2-BOLT
HYDRAULIC PUMP WITH MALE
7/8-13T 16/32 PITCH INVOLUTE SPLINE

ALL DIMENSIONS SHOWN AS INCH/MILLIMETER
($\frac{\text{INCH}}{\text{MILLIMETER}}$)