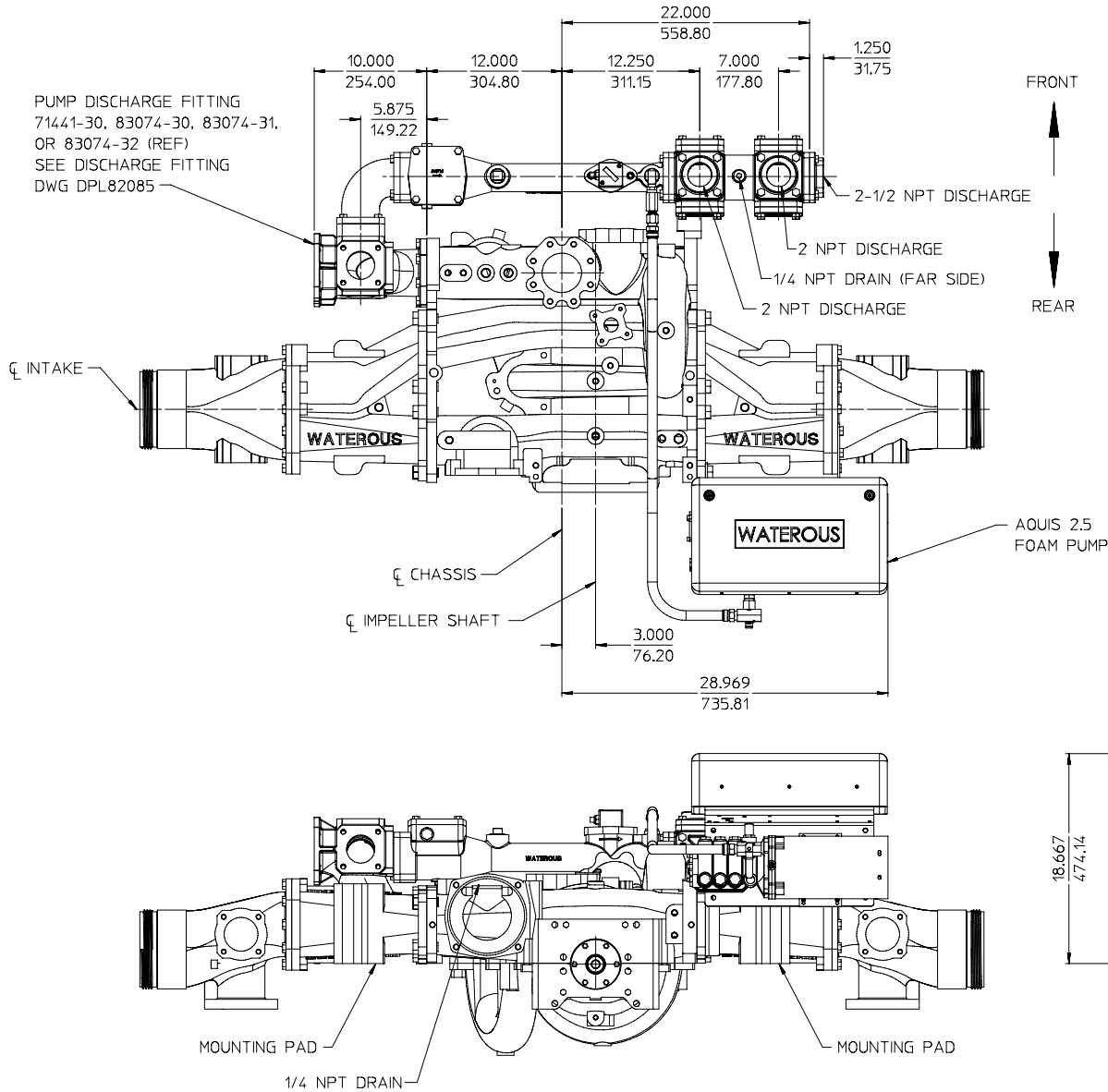




|                  |                 |                 |
|------------------|-----------------|-----------------|
| Document Number  | Issue Date      | Rev. Date       |
| <b>DPL 83079</b> | <b>10/30/09</b> | <b>12/08/11</b> |

## Dimensional Drawings for Foam Manager System with Aquis™ 2.5

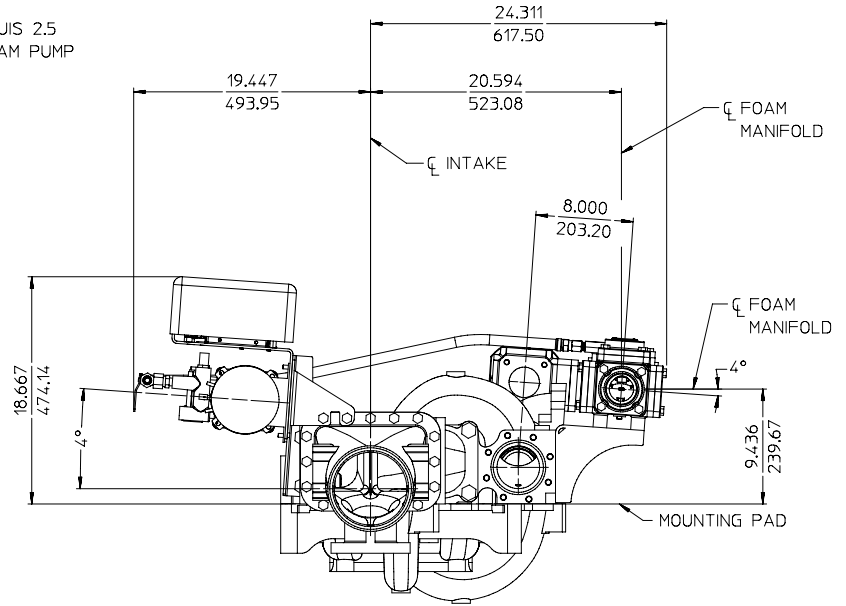
| Configuration                   | Includes                                      | Manifold  |   | Pump Discharge Fitting                 | See Page          | Available on Pump Models |  |    |  |
|---------------------------------|---|---|---|--|-------------------|--------------------------|--|----|--|
|                                 |   | Discharge Position  | Mounting on Pump  |  |                   |                          |  |    |  |
| Complete System Mounted on Pump | 500 GPM Foam Manifold and Aquis 2.5 Foam Pump | Right Hand (Right Side of Pump)                             | On the Front  | 71441-30, 83074-30, 83074-31, 83074-32 | 2                 | CM, CMU<br>CS, CSU       |  |    |  |
|                                 |   |   |   | 71600-8A                               | 3                 |                          |  |    |  |
|                                 |   |   |   | 81388-7A                               | 4                 |                          |  |    |  |
|                                 |   |   | Over the Top  | 71441-30, 83074-30, 83074-31, 83074-32 | 5                 |                          |  |    |  |
|                                 |   |   |   | 71600-8A                               | 6                 |                          |  |    |  |
|                                 |   |   |   | 81388-7A                               | 7                 |                          |  |    |  |
|                                 |   | Left Hand (Left Side of Pump)                               | On the Front  | 71441-30, 83074-30, 83074-31, 83074-32 | 8                 |                          |  |    |  |
|                                 |   |   |   | 71600-8A                               | 9                 |                          |  |    |  |
|                                 |   |   |   | 81388-7A                               | 10                |                          |  |    |  |
|                                 |   |   | Over the Top  | 71441-30, 83074-30, 83074-31, 83074-32 | 11                |                          |  |    |  |
|                                 |   |   |   | 71600-8A                               | 12                |                          |  |    |  |
|                                 |   |   |   | 81388-7A                               | 13                |                          |  |    |  |
|                                 |   | Items Shipped Loose   |   |  |                   |                          | 14                                     |    |  |
|                                 |   | Manifold only Mounted on Pump, Foam Pump Separately Mounted | 500 GPM Foam Manifold and Aquis 2.5 Foam Pump (To be Added Later) | Right Hand (Right Side of Pump)        | On the Front      |                          | 71441-30, 83074-30, 83074-31, 83074-32 | 15 |  |
| 71600-8A                        | 16  |   |   |  |                   |                          |  |    |  |
| 81388-7A                        | 17  |   |   |  |                   |                          |  |    |  |
| Over the Top                    | 71441-30, 83074-30, 83074-31, 83074-32        |   |   |  | 18                |                          |  |    |  |
|                                 | 71600-8A                                      |   |   |  | 19                |                          |  |    |  |
|                                 | 81388-7A                                      |   |   |  | 20                |                          |  |    |  |
|                                 |   |   |   | On Front of Discharge Manifold         | 83167-1A, -1B, 1C | 21                       |  |    |  |
| Left Hand (Left Side of Pump)   | On the Front                                  |   |   | 71441-30, 83074-30, 83074-31, 83074-32 | 22                |                          |  |    |  |
|                                 |   |   |   | 71600-8A                               | 23                |                          |  |    |  |
|                                 |   |   |   | 81388-7A                               | 24                |                          |  |    |  |
|                                 | Over the Top                                  |   |   | 71441-30, 83074-30, 83074-31, 83074-32 | 25                |                          |  |    |  |
|                                 |   |   |   | 71600-8A                               | 26                |                          |  |    |  |
|                                 |   |   |   | 81388-7A                               | 27                |                          |  |    |  |
| Items Shipped Loose             |   |   |   |  | 28                |                          |  |    |  |
| Optional Accessories            |   |   |   |  | 29                |                          |  |    |  |
| Tank Level Switch Wiring        |   |   |   |  | 30                |                          |  |    |  |



- THE FOLLOWING ITEMS SHIPPED LOOSE:
1. INSTRUCTION PLATE. (SEE DETAIL A ON PAGE 14).
  2. OIT CONTROL MODULE (SEE DETAIL B ON PAGE 14).
  3. INLET LINE STRAINER WITH NIPPLE (SEE DETAIL C ON PAGE 14).
  4. OPTIONAL ACCESSORIES (SEE PAGE 29).

NOTE:  
 REAR INTAKE ADAPTER NOT AVAILABLE ON RIGHT SIDE.

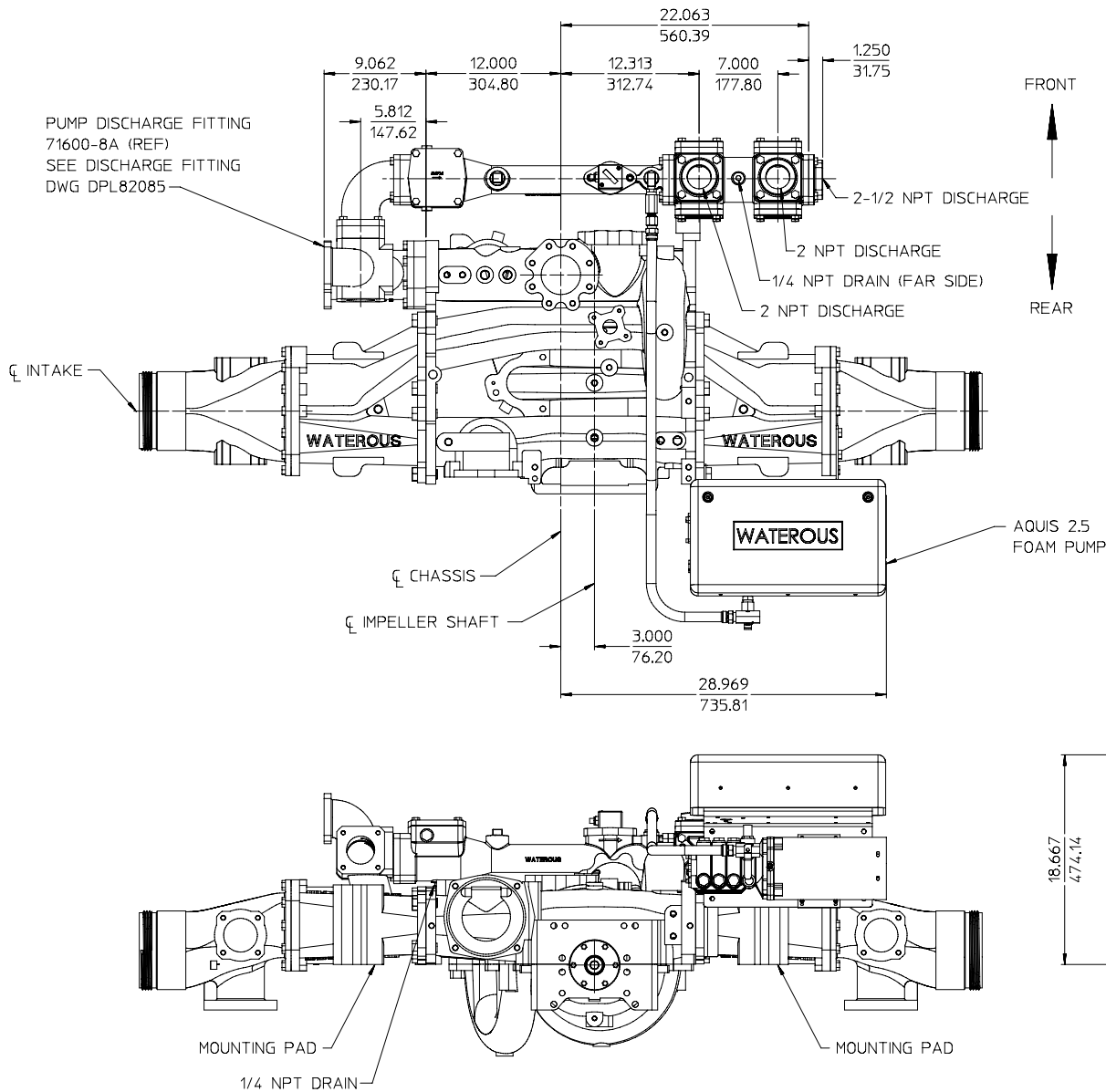
ALL DIMENSIONS SHOWN  
 AS INCH/MILLIMETER  
 ( INCH / MILLIMETER )



**PUMP MOUNTED AQUIS 2.5 FOAM PUMP**  
**500 GPM MANIFOLD, RIGHT HAND DISCHARGE ON THE FRONT OF PUMP**  
**WITH 71441-30, 83074-30, 83074-31, OR 83074-32 PUMP DISCHARGE FITTING**

AVAILABLE ON IRON PUMPS WITH 4° ANGLE COMPENSATED BODIES ONLY

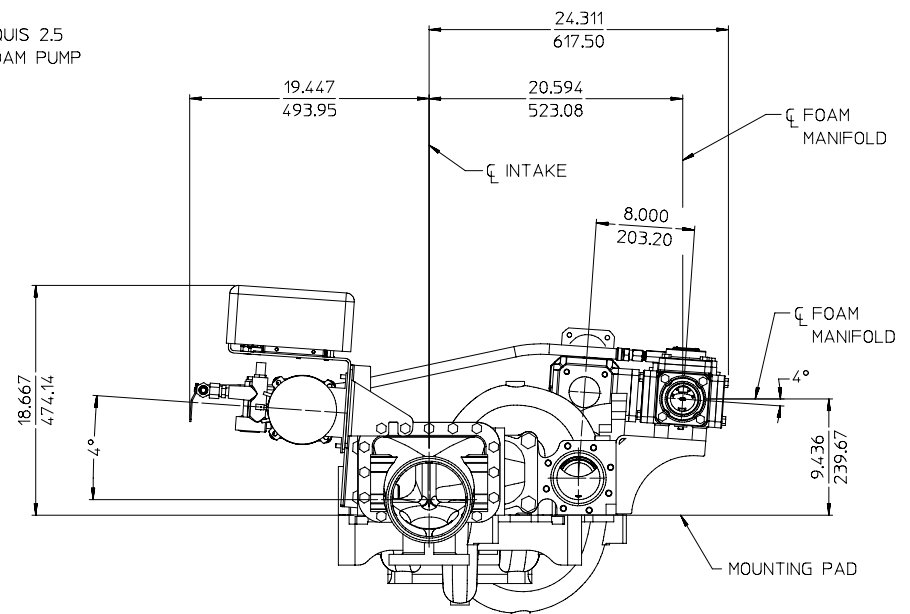
FOAM MANAGER WITH AQUIS 2.5  
 DPL83079  
 WATEROUS COMPANY  
 SOUTH ST. PAUL, MN 55075  
 PAGE 2 OF 30



- THE FOLLOWING ITEMS SHIPPED LOOSE:
1. INSTRUCTION PLATE. (SEE DETAIL A ON PAGE 14).
  2. OIT CONTROL MODULE (SEE DETAIL B ON PAGE 14).
  3. INLET LINE STRAINER WITH NIPPLE (SEE DETAIL C ON PAGE 14).
  4. OPTIONAL ACCESSORIES (SEE PAGE 29).

NOTE:  
 REAR INTAKE ADAPTER NOT AVAILABLE ON RIGHT SIDE.

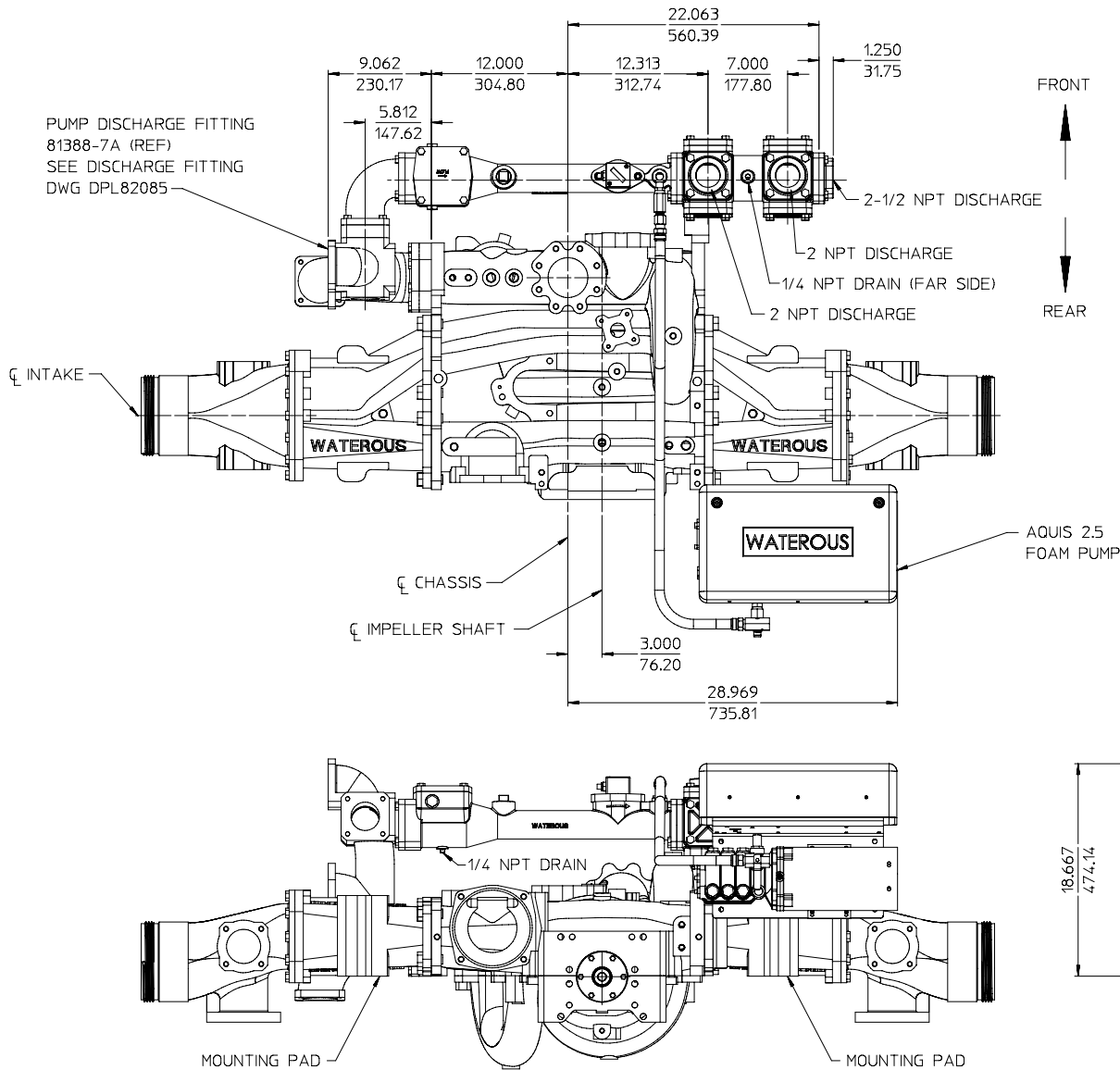
ALL DIMENSIONS SHOWN  
 AS INCH/MILLIMETER  
 ( INCH )  
 ( MILLIMETER )



**PUMP MOUNTED AQUIS 2.5 FOAM PUMP**  
**500 GPM MANIFOLD, RIGHT HAND DISCHARGE ON THE FRONT OF PUMP**  
**WITH 71600-8A PUMP DISCHARGE FITTING**

AVAILABLE ON IRON PUMPS WITH 4° ANGLE COMPENSATED BODIES ONLY

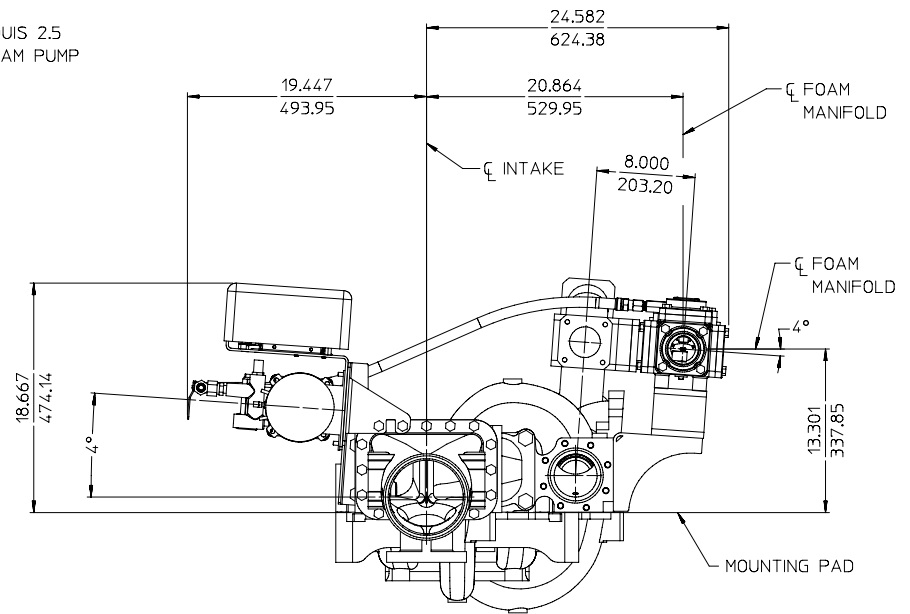
FOAM MANAGER WITH AQUIS 2.5  
 DPL83079  
 WATEROUS COMPANY  
 SOUTH ST. PAUL, MN 55075  
 PAGE 3 OF 30



- THE FOLLOWING ITEMS SHIPPED LOOSE:
1. INSTRUCTION PLATE. (SEE DETAIL A ON PAGE 14).
  2. OIT CONTROL MODULE (SEE DETAIL B ON PAGE 14).
  3. INLET LINE STRAINER WITH NIPPLE (SEE DETAIL C ON PAGE 14).
  4. OPTIONAL ACCESSORIES (SEE PAGE 29).

NOTE:  
 REAR INTAKE ADAPTER NOT AVAILABLE ON RIGHT SIDE.

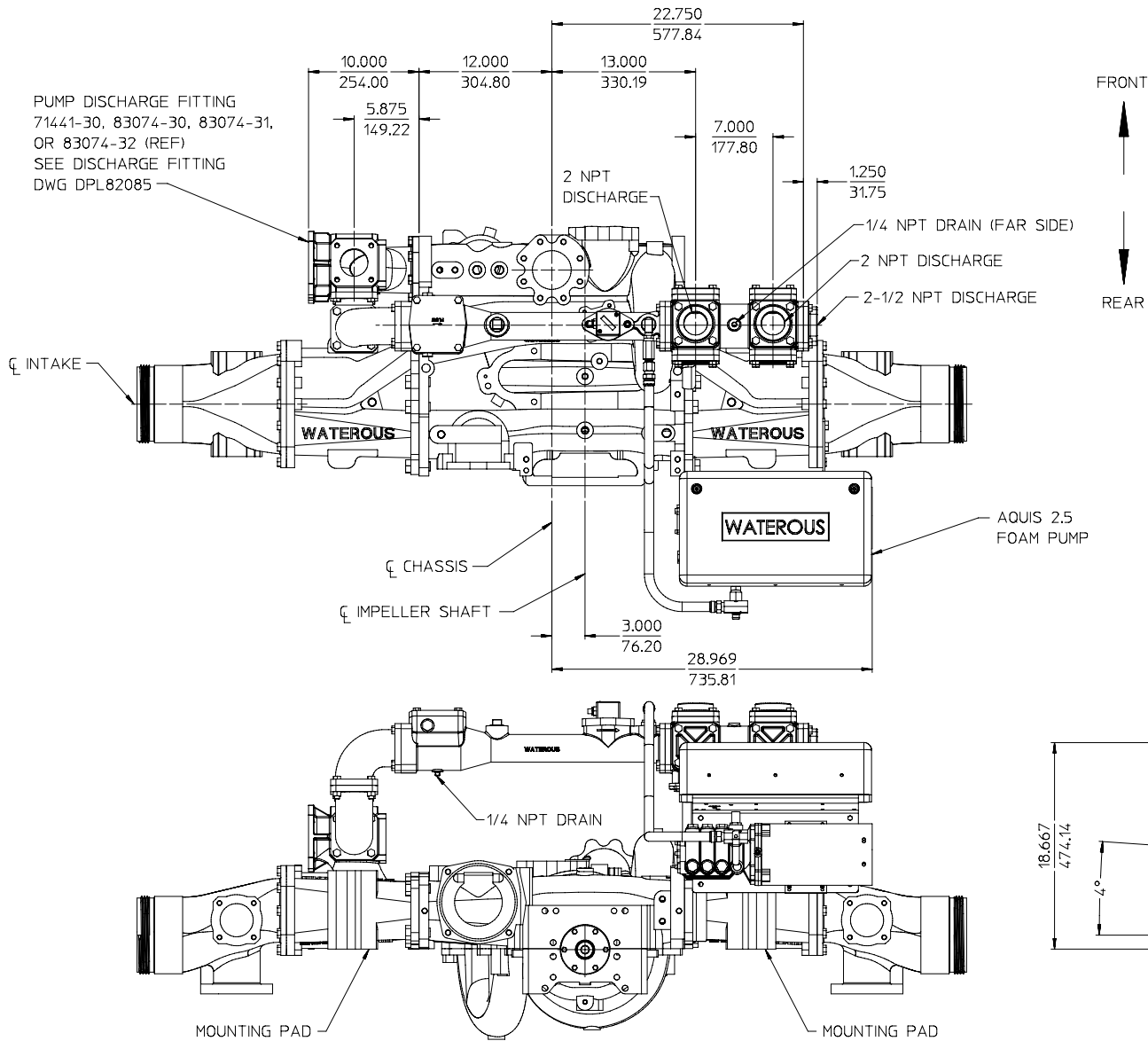
ALL DIMENSIONS SHOWN  
 AS INCH/MILLIMETER  
 ( INCH / MILLIMETER )



**PUMP MOUNTED AQUIS 2.5 FOAM PUMP**  
**500 GPM MANIFOLD, RIGHT HAND DISCHARGE ON THE FRONT OF PUMP**  
**WITH 81388-7A PUMP DISCHARGE FITTING**

AVAILABLE ON IRON PUMPS WITH 4° ANGLE COMPENSATED BODIES ONLY

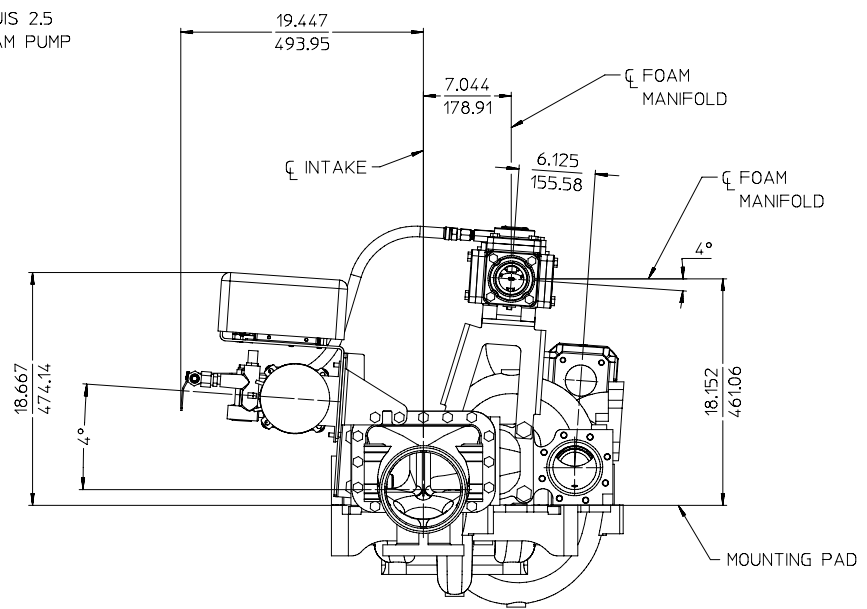
FOAM MANAGER WITH AQUIS 2.5  
 DPL83079  
 WATEROUS COMPANY  
 SOUTH ST. PAUL, MN 55075  
 PAGE 4 OF 30



- THE FOLLOWING ITEMS SHIPPED LOOSE:
1. INSTRUCTION PLATE. (SEE DETAIL A ON PAGE 14).
  2. OIT CONTROL MODULE (SEE DETAIL B ON PAGE 14).
  3. INLET LINE STRAINER WITH NIPPLE (SEE DETAIL C ON PAGE 14).
  4. OPTIONAL ACCESSORIES (SEE PAGE 29).

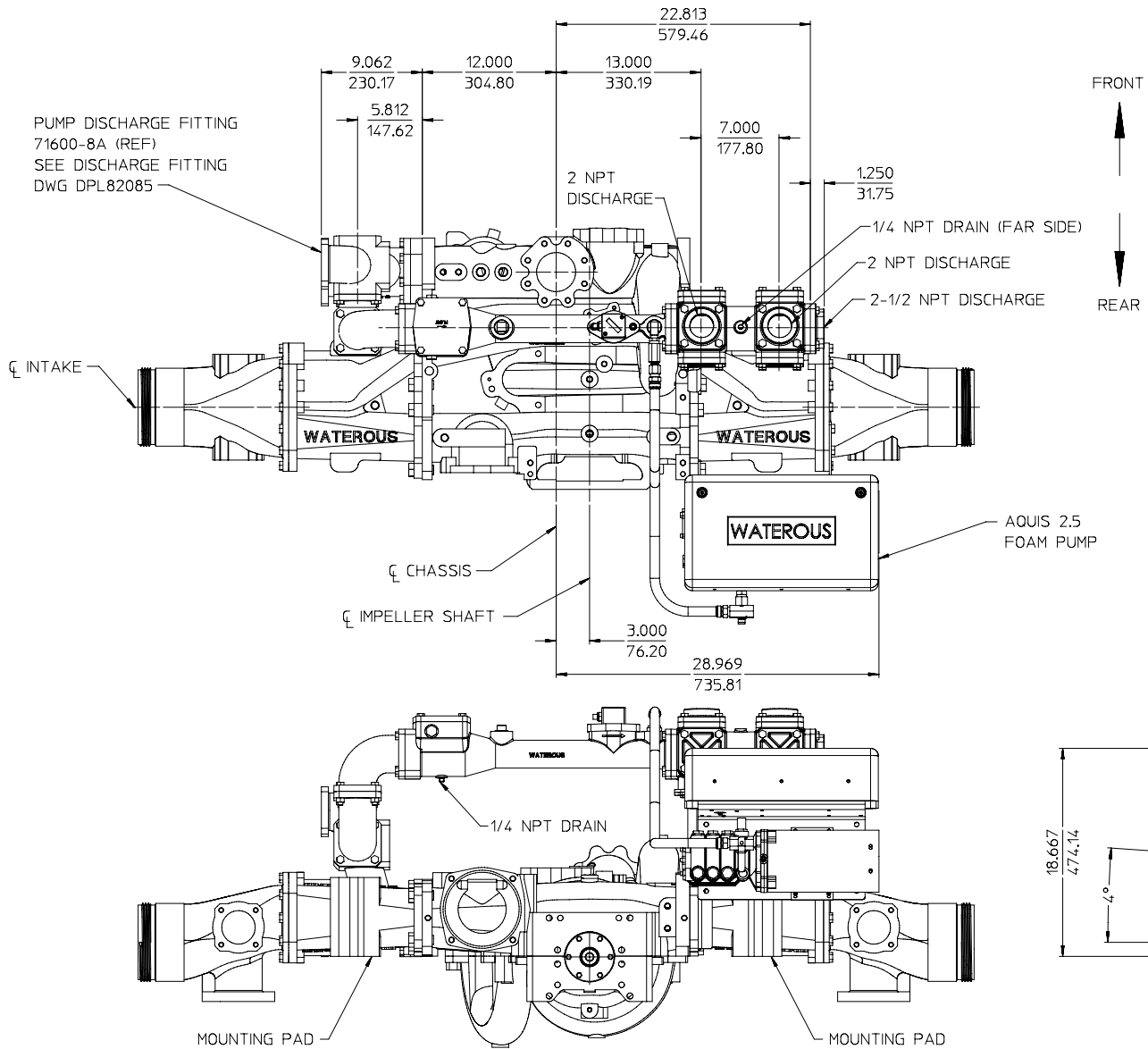
NOTE:  
REAR INTAKE ADAPTER NOT AVAILABLE ON RIGHT SIDE.

ALL DIMENSIONS SHOWN  
AS INCH/MILLIMETER  
INCH  
(MILLIMETER)



**PUMP MOUNTED AQUIS 2.5 FOAM PUMP**  
**500 GPM MANIFOLD, RIGHT HAND DISCHARGE OVER THE TOP OF PUMP**  
**WITH 71441-30, 83074-30, 83074-31, OR 83074-32 PUMP DISCHARGE FITTING**  
 AVAILABLE ON IRON PUMPS WITH 4° ANGLE COMPENSATED BODIES ONLY

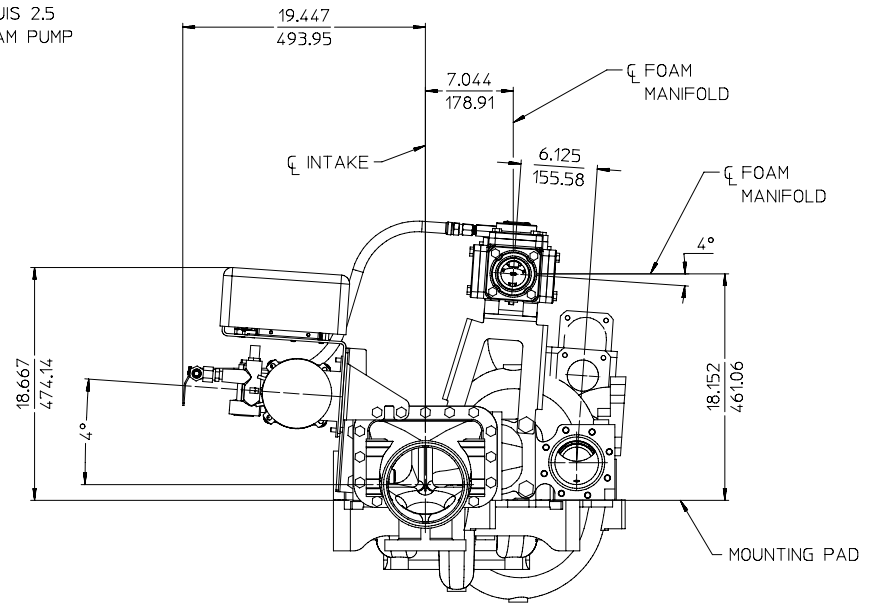
FOAM MANAGER WITH AQUIS 2.5  
 DPL83079  
 WATEROUS COMPANY  
 SOUTH ST. PAUL, MN 55075  
 PAGE 5 OF 30



- THE FOLLOWING ITEMS SHIPPED LOOSE:
1. INSTRUCTION PLATE. (SEE DETAIL A ON PAGE 14).
  2. OIT CONTROL MODULE (SEE DETAIL B ON PAGE 14).
  3. INLET LINE STRAINER WITH NIPPLE (SEE DETAIL C ON PAGE 14).
  4. OPTIONAL ACCESSORIES (SEE PAGE 29).

NOTE:  
 REAR INTAKE ADAPTER NOT AVAILABLE ON RIGHT SIDE.

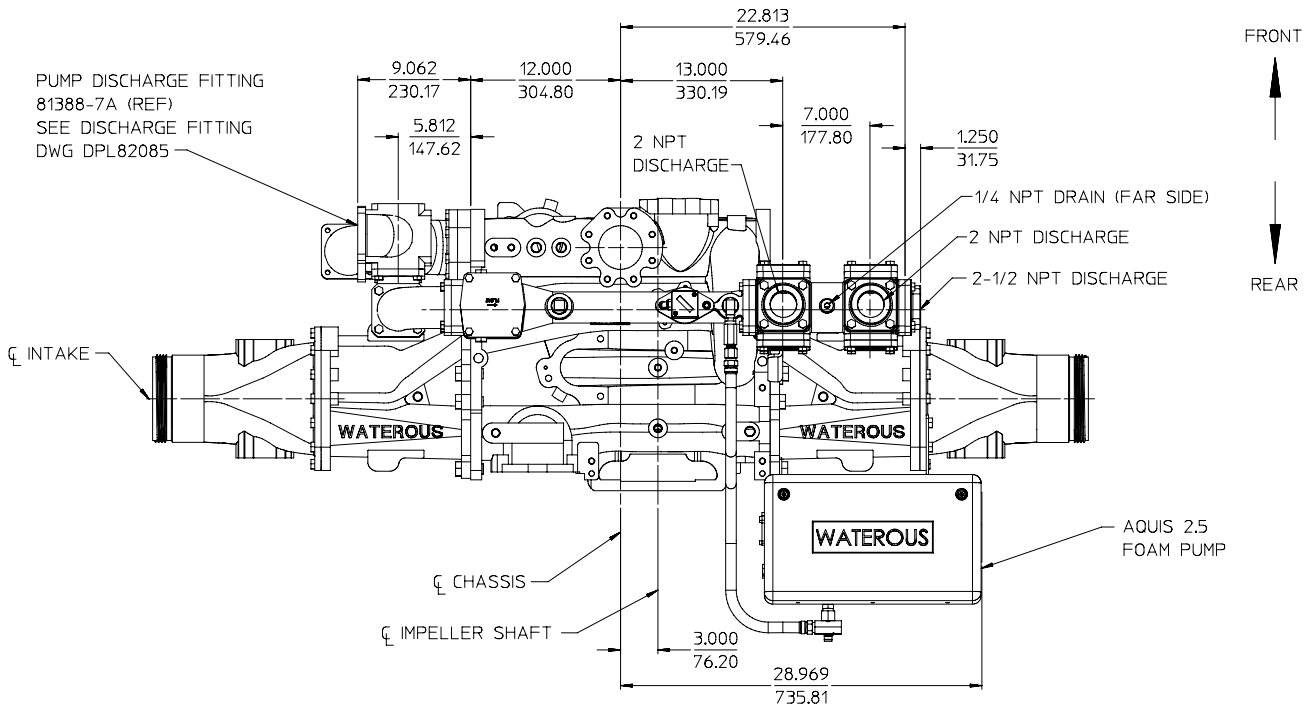
ALL DIMENSIONS SHOWN  
 AS INCH/MILLIMETER  
 ( INCH / MILLIMETER )



**PUMP MOUNTED AQUIS 2.5 FOAM PUMP**  
**500 GPM MANIFOLD, RIGHT HAND DISCHARGE OVER THE TOP OF PUMP**  
**WITH 71600-8A PUMP DISCHARGE FITTING**

AVAILABLE ON IRON PUMPS WITH 4° ANGLE COMPENSATED BODIES ONLY

FOAM MANAGER WITH AQUIS 2.5  
 DPL83079  
 WATEROUS COMPANY  
 SOUTH ST. PAUL, MN 55075  
 PAGE 6 OF 30

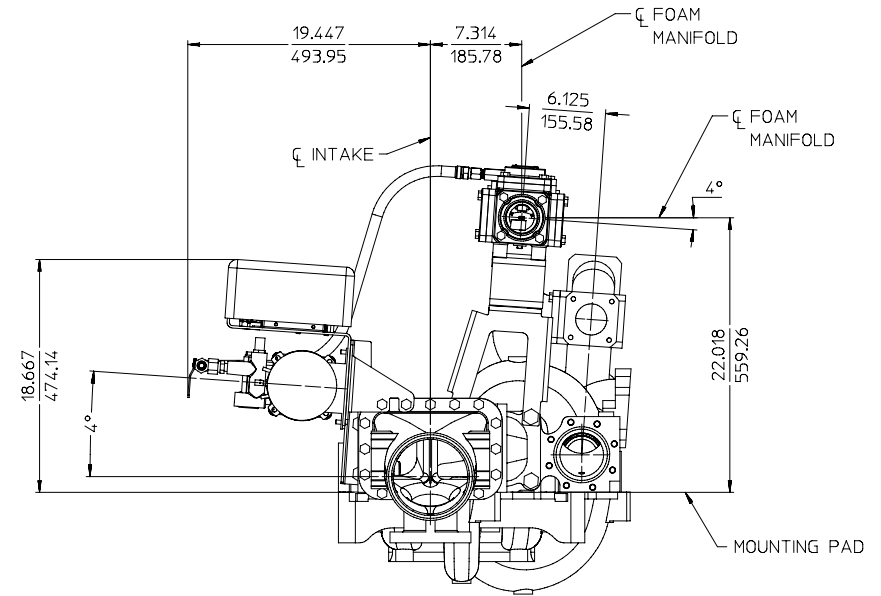
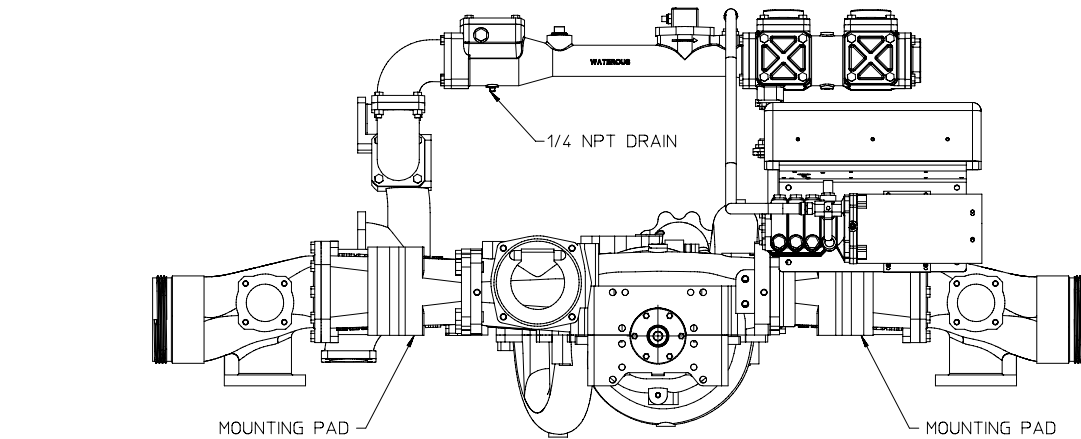


FRONT  
 REAR

- THE FOLLOWING ITEMS SHIPPED LOOSE:
1. INSTRUCTION PLATE. (SEE DETAIL A ON PAGE 14).
  2. OIT CONTROL MODULE (SEE DETAIL B ON PAGE 14).
  3. INLET LINE STRAINER WITH NIPPLE (SEE DETAIL C ON PAGE 14).
  4. OPTIONAL ACCESSORIES (SEE PAGE 29).

NOTE:  
 REAR INTAKE ADAPTER NOT AVAILABLE ON RIGHT SIDE.

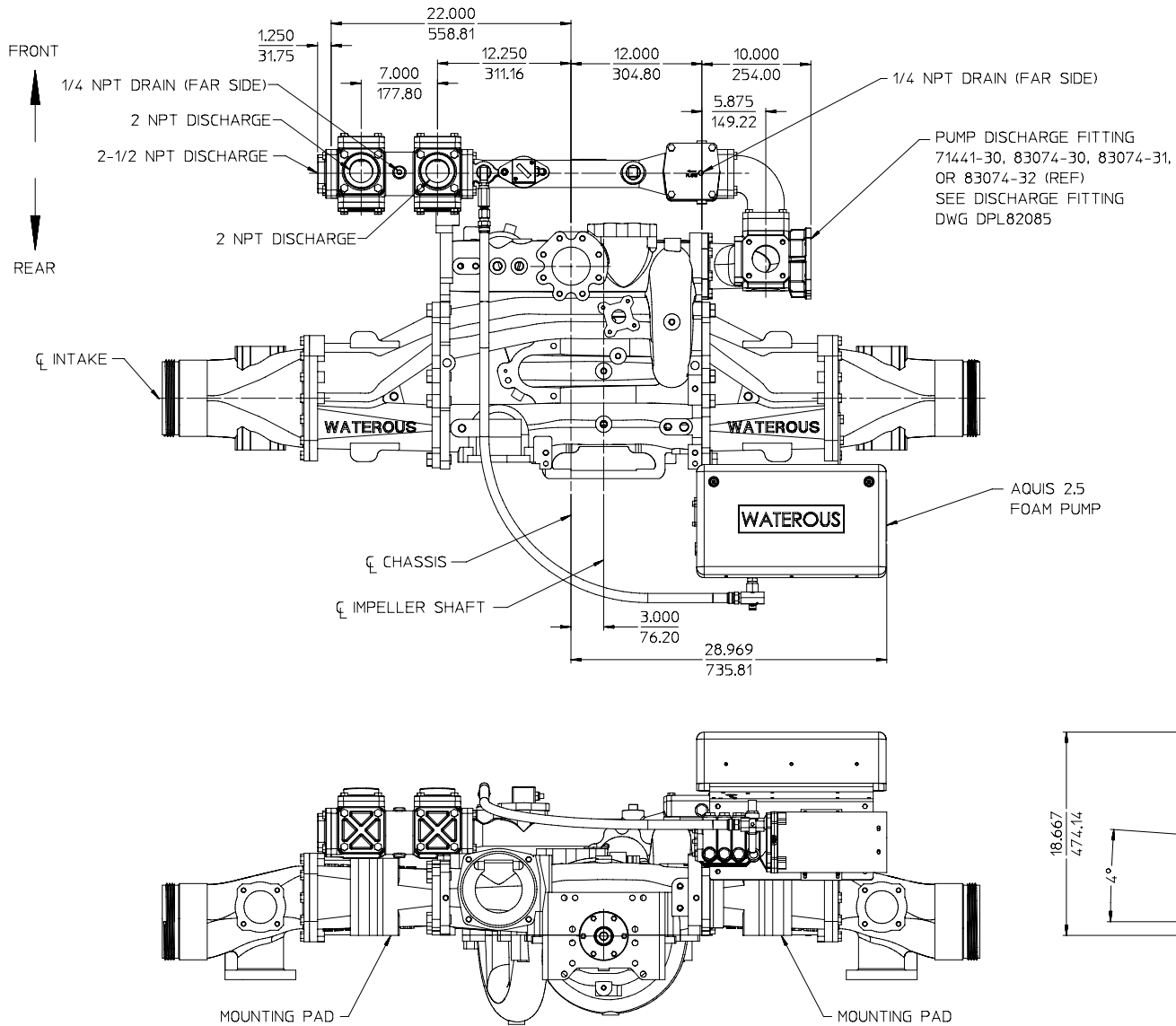
ALL DIMENSIONS SHOWN  
 AS INCH/MILLIMETER  
 (  $\frac{\text{INCH}}{\text{MILLIMETER}}$  )



**PUMP MOUNTED AQUIS 2.5 FOAM PUMP  
 500 GPM MANIFOLD, RIGHT HAND DISCHARGE OVER THE TOP OF PUMP  
 WITH 81388-7A PUMP DISCHARGE FITTING**

AVAILABLE ON IRON PUMPS WITH 4° ANGLE COMPENSATED BODIES ONLY

FOAM MANAGER WITH AQUIS 2.5  
 DPL83079  
 WATEROUS COMPANY  
 SOUTH ST. PAUL, MN 55075  
 PAGE 7 OF 30



THE FOLLOWING ITEMS SHIPPED LOOSE:

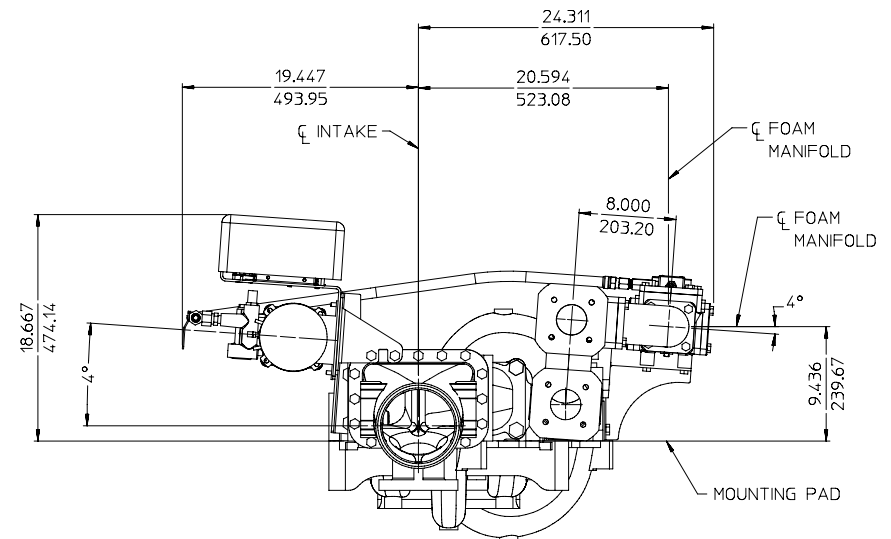
1. INSTRUCTION PLATE. (SEE DETAIL A ON PAGE 14).
2. OIT CONTROL MODULE (SEE DETAIL B ON PAGE 14).
3. INLET LINE STRAINER WITH NIPPLE (SEE DETAIL C ON PAGE 14).
4. OPTIONAL ACCESSORIES (SEE PAGE 29).

NOTE:

REAR INTAKE ADAPTER NOT AVAILABLE ON RIGHT SIDE.

ALL DIMENSIONS SHOWN  
AS INCH/MILLIMETER

( INCH  
MILLIMETER )



**PUMP MOUNTED AQUIS 2.5 FOAM PUMP  
500 GPM MANIFOLD, LEFT HAND DISCHARGE ON THE FRONT OF PUMP  
WITH 71441-30, 83074-30, 83074-31, OR 83074-32 PUMP DISCHARGE FITTING**

AVAILABLE ON IRON PUMPS WITH 4° ANGLE COMPENSATED BODIES ONLY

FOAM MANAGER WITH AQUIS 2.5

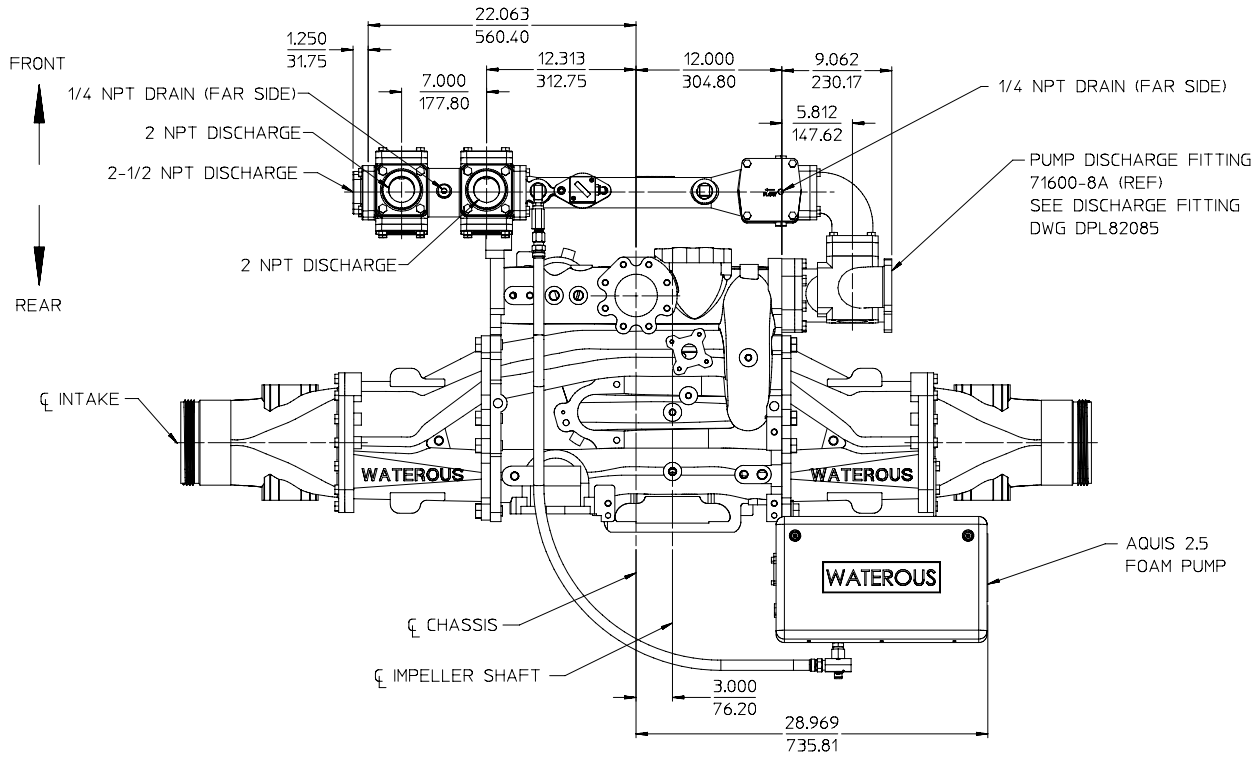
DPL83079

WATEROUS COMPANY

SOUTH ST. PAUL, MN 55075

PAGE 8 OF 30





THE FOLLOWING ITEMS SHIPPED LOOSE:

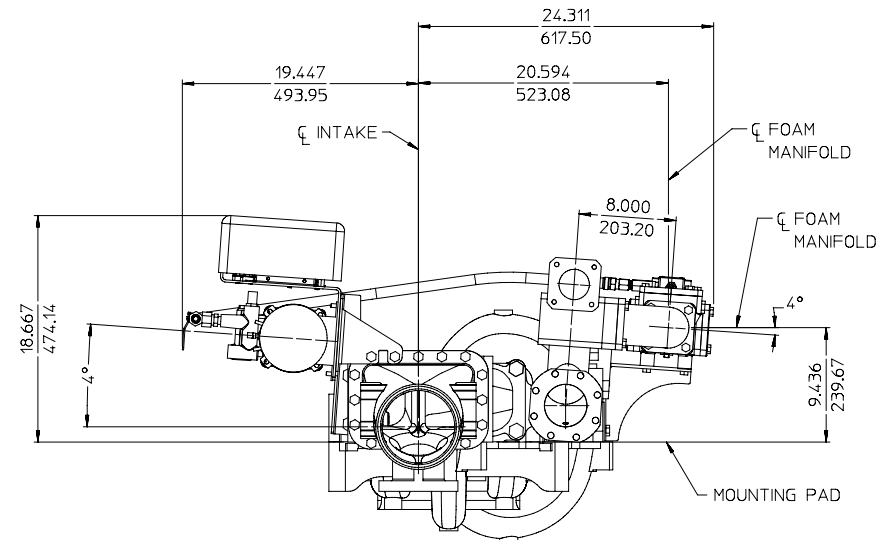
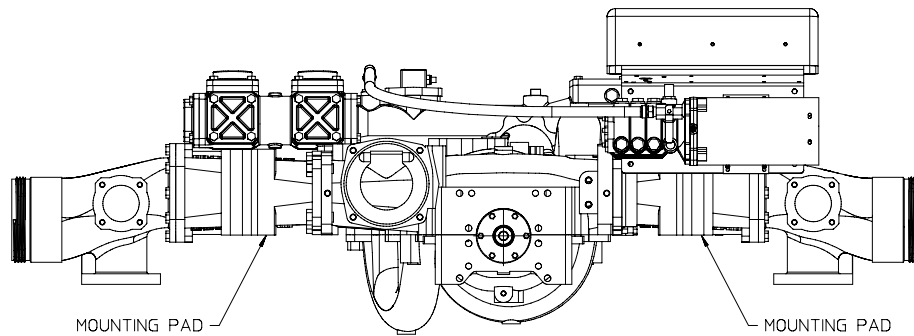
1. INSTRUCTION PLATE. (SEE DETAIL A ON PAGE 14).
2. OIT CONTROL MODULE (SEE DETAIL B ON PAGE 14).
3. INLET LINE STRAINER WITH NIPPLE (SEE DETAIL C ON PAGE 14).
4. OPTIONAL ACCESSORIES (SEE PAGE 29).

NOTE:

REAR INTAKE ADAPTER NOT AVAILABLE ON RIGHT SIDE.

ALL DIMENSIONS SHOWN  
AS INCH/MILLIMETER

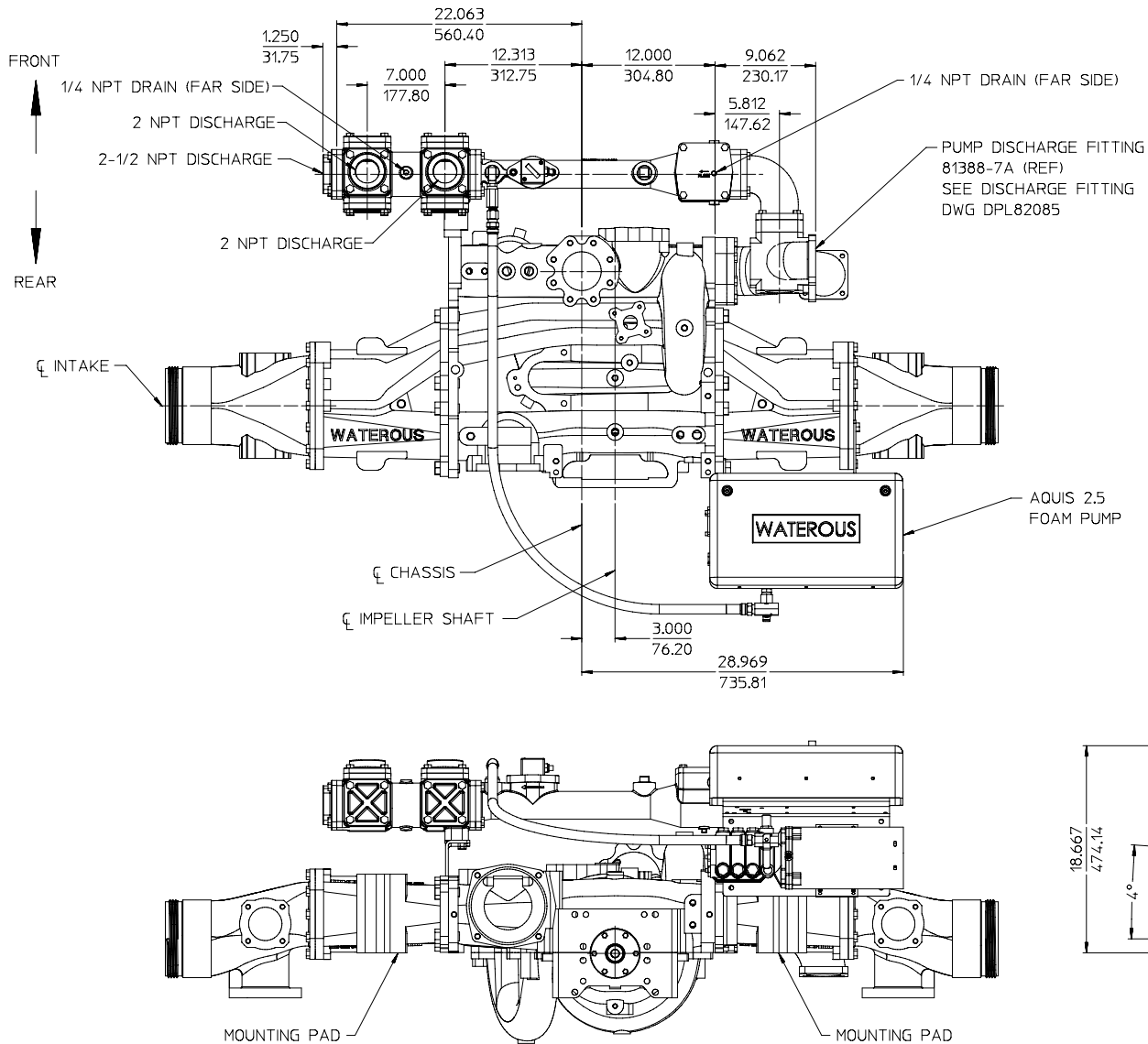
( INCH  
MILLIMETER )



**PUMP MOUNTED AQUIS 2.5 FOAM PUMP  
500 GPM MANIFOLD, LEFT HAND DISCHARGE ON THE FRONT OF PUMP  
WITH 71600-8A PUMP DISCHARGE FITTING**

AVAILABLE ON IRON PUMPS WITH 4° ANGLE COMPENSATED BODIES ONLY

FOAM MANAGER WITH AQUIS 2.5  
DPL83079  
WATEROUS COMPANY  
SOUTH ST. PAUL, MN 55075  
PAGE 9 OF 30



THE FOLLOWING ITEMS SHIPPED LOOSE:

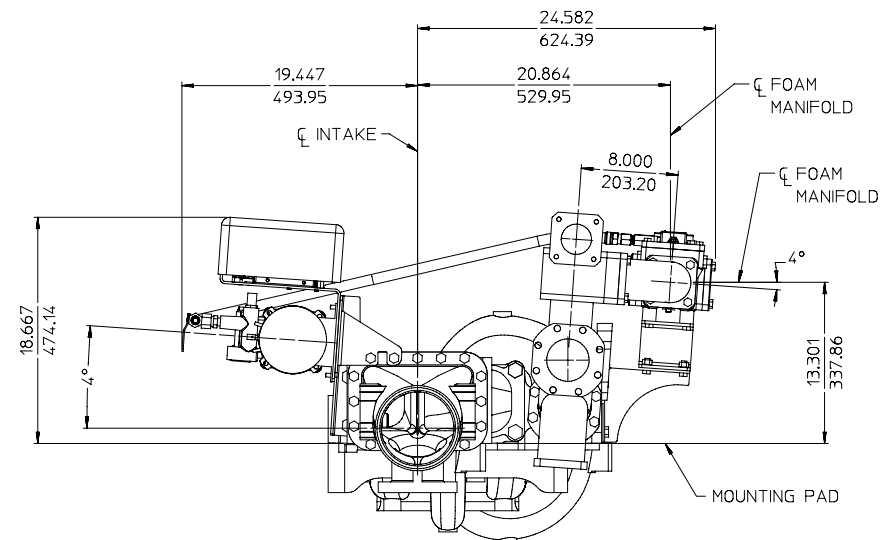
1. INSTRUCTION PLATE. (SEE DETAIL A ON PAGE 14).
2. OIT CONTROL MODULE (SEE DETAIL B ON PAGE 14).
3. INLET LINE STRAINER WITH NIPPLE (SEE DETAIL C ON PAGE 14).
4. OPTIONAL ACCESSORIES (SEE PAGE 29).

NOTE:

REAR INTAKE ADAPTER NOT AVAILABLE ON RIGHT SIDE.

ALL DIMENSIONS SHOWN  
AS INCH/MILLIMETER

( INCH  
MILLIMETER )



**PUMP MOUNTED AQUIS 2.5 FOAM PUMP**  
**500 GPM MANIFOLD, LEFT HAND DISCHARGE ON THE FRONT OF PUMP**  
**WITH 81388-7A PUMP DISCHARGE FITTING**

AVAILABLE ON IRON PUMPS WITH 4° ANGLE COMPENSATED BODIES ONLY

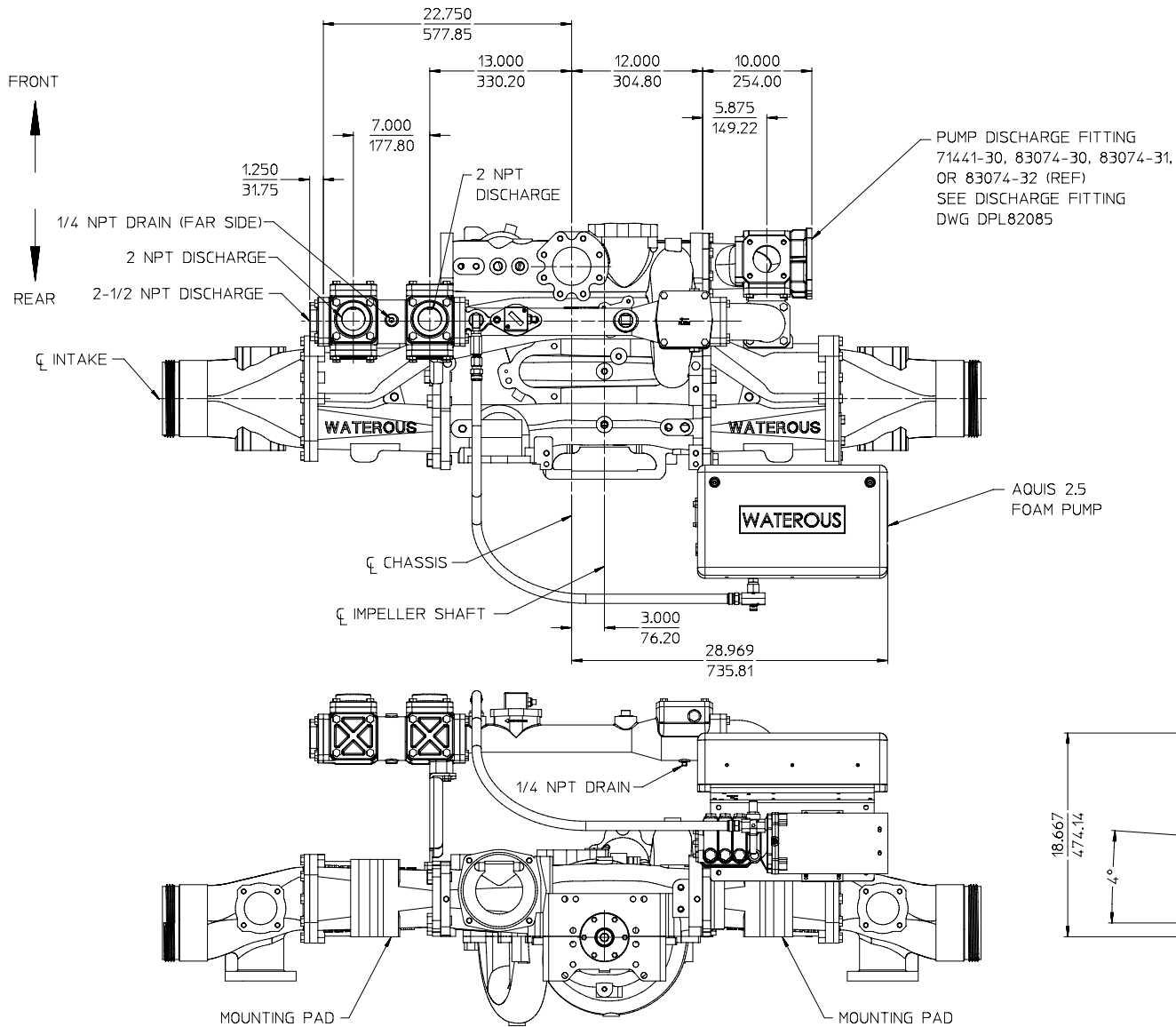
FOAM MANAGER WITH AQUIS 2.5

DPL83079

WATEROUS COMPANY

SOUTH ST. PAUL, MN 55075

PAGE 10 OF 30



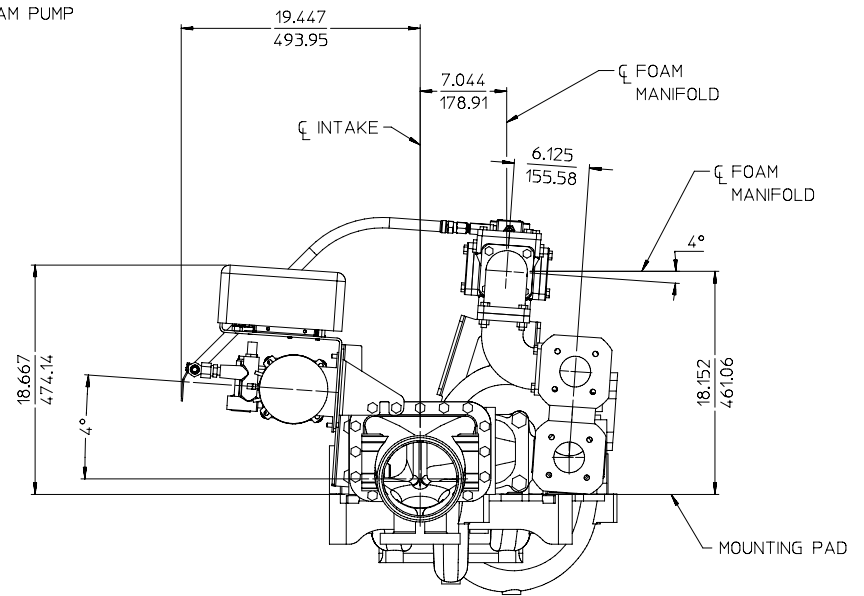
THE FOLLOWING ITEMS SHIPPED LOOSE:

1. INSTRUCTION PLATE. (SEE DETAIL A ON PAGE 14).
2. OIT CONTROL MODULE (SEE DETAIL B ON PAGE 14).
3. INLET LINE STRAINER WITH NIPPLE (SEE DETAIL C ON PAGE 14).
4. OPTIONAL ACCESSORIES (SEE PAGE 29).

NOTE:

REAR INTAKE ADAPTER NOT AVAILABLE ON RIGHT SIDE.

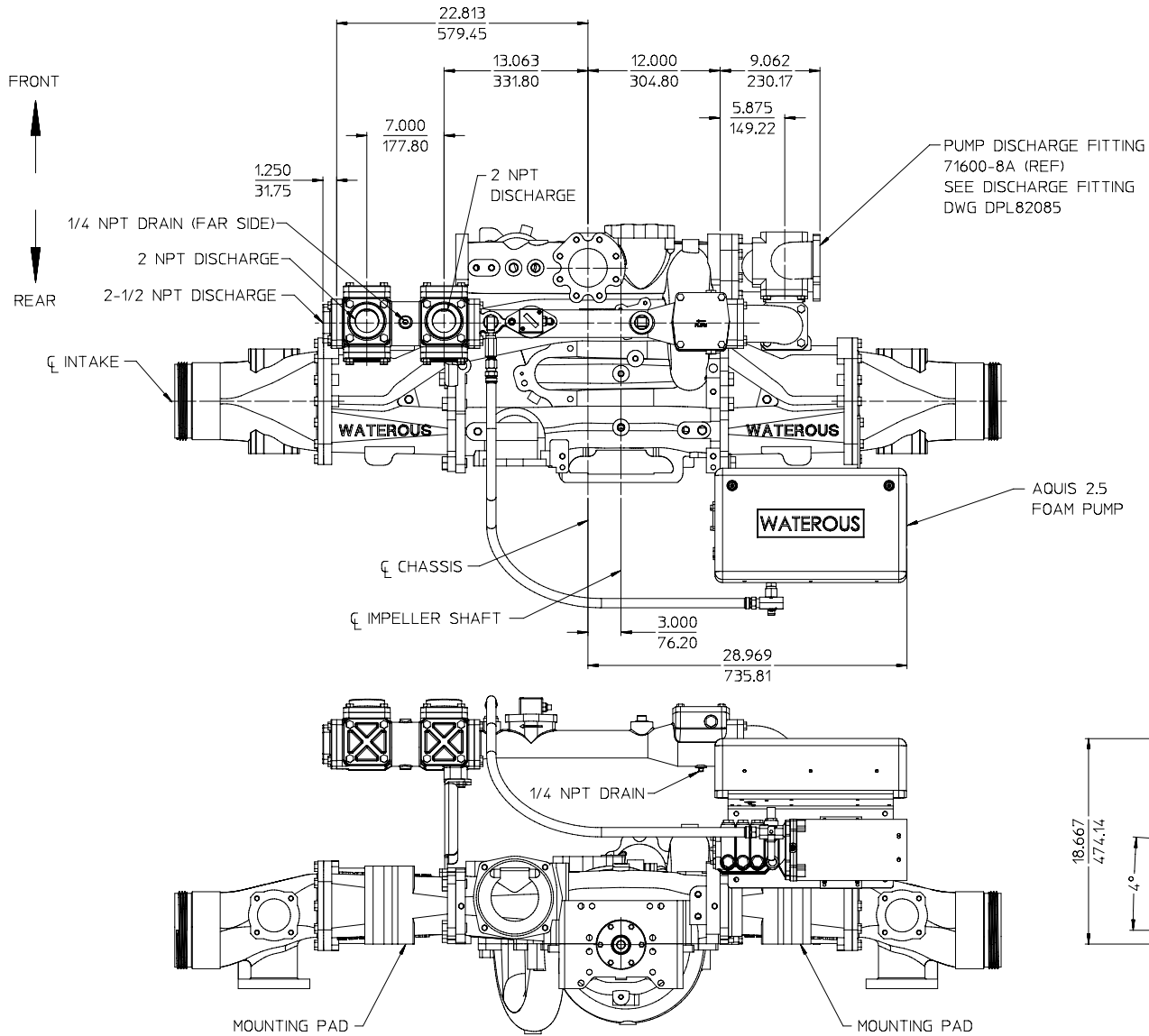
ALL DIMENSIONS SHOWN  
AS INCH/MILLIMETER  
( $\frac{\text{INCH}}{\text{MILLIMETER}}$ )



**PUMP MOUNTED AQUIS 2.5 FOAM PUMP**  
**500 GPM MANIFOLD, LEFT HAND DISCHARGE OVER THE TOP OF PUMP**  
**WITH 71441-30, 83074-30, 83074-31, OR 83074-32 PUMP DISCHARGE FITTING**

AVAILABLE ON IRON PUMPS WITH 4° ANGLE COMPENSATED BODIES ONLY

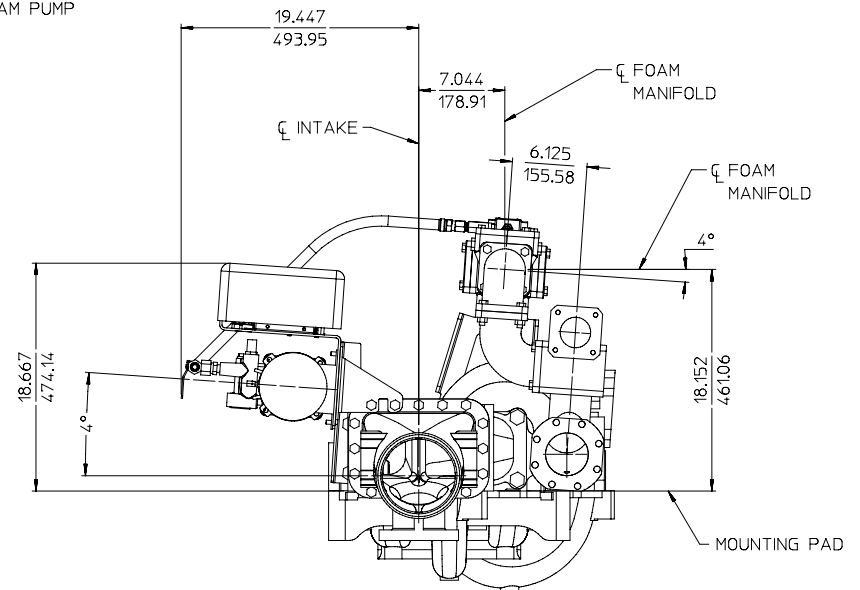
FOAM MANAGER WITH AQUIS 2.5  
DPL83079  
WATEROUS COMPANY  
SOUTH ST. PAUL, MN 55075  
PAGE 11 OF 30



- THE FOLLOWING ITEMS SHIPPED LOOSE:
1. INSTRUCTION PLATE. (SEE DETAIL A ON PAGE 14).
  2. OIT CONTROL MODULE (SEE DETAIL B ON PAGE 14).
  3. INLET LINE STRAINER WITH NIPPLE (SEE DETAIL C ON PAGE 14).
  4. OPTIONAL ACCESSORIES (SEE PAGE 29).

NOTE:  
REAR INTAKE ADAPTER NOT AVAILABLE ON RIGHT SIDE.

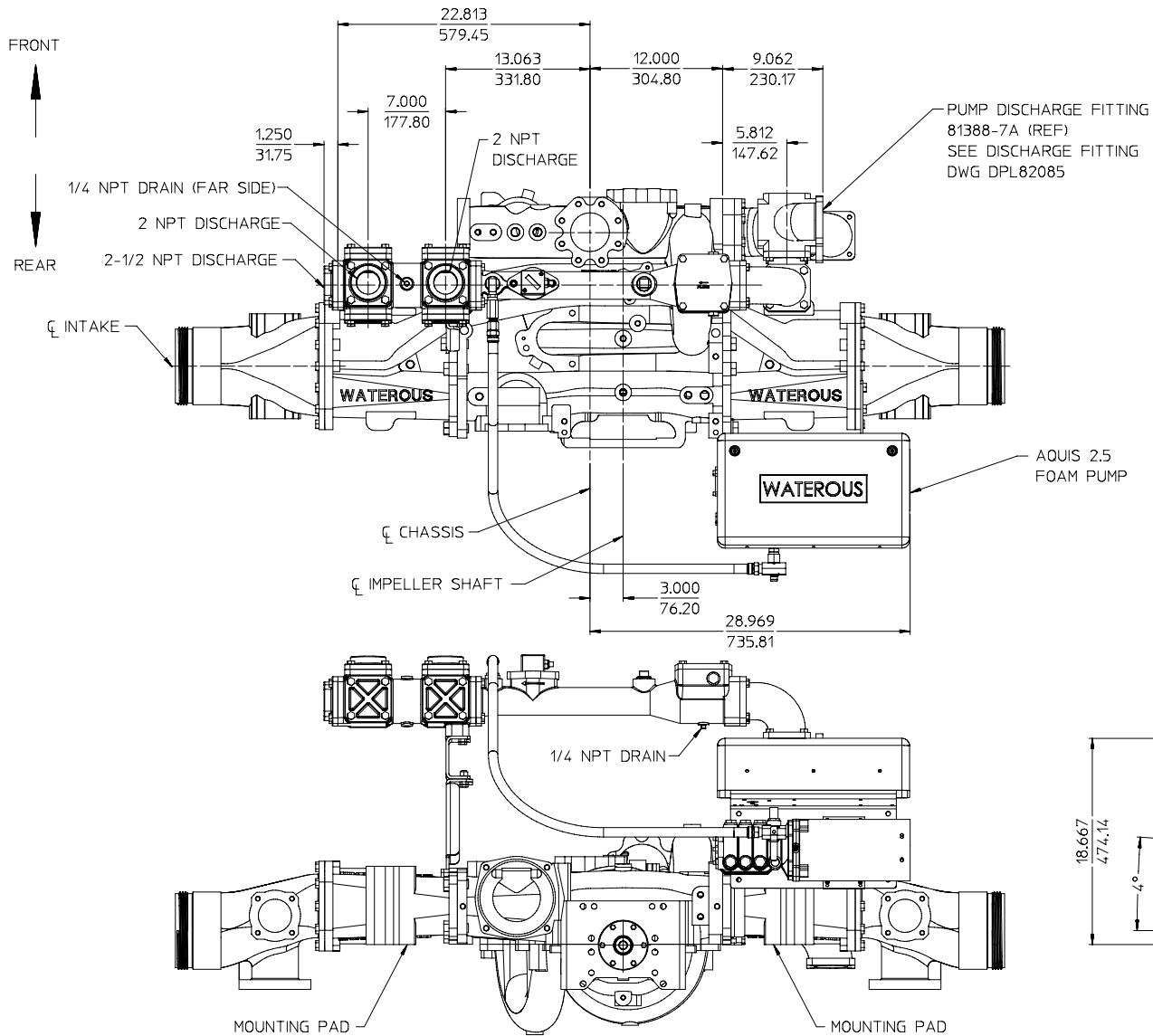
ALL DIMENSIONS SHOWN  
AS INCH/MILLIMETER  
( INCH / MILLIMETER )



**PUMP MOUNTED AQUIS 2.5 FOAM PUMP  
500 GPM MANIFOLD, LEFT HAND DISCHARGE OVER THE TOP OF PUMP  
WITH 71600-8A PUMP DISCHARGE FITTING**

AVAILABLE ON IRON PUMPS WITH 4° ANGLE COMPENSATED BODIES ONLY

FOAM MANAGER WITH AQUIS 2.5  
DPL83079  
WATEROUS COMPANY  
SOUTH ST. PAUL, MN 55075  
PAGE 12 OF 30



THE FOLLOWING ITEMS SHIPPED LOOSE:

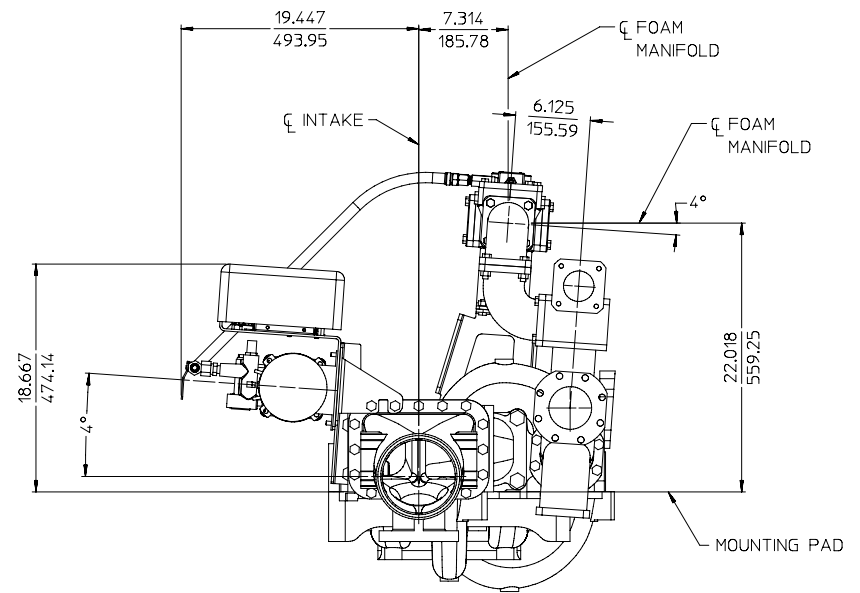
1. INSTRUCTION PLATE. (SEE DETAIL A ON PAGE 14).
2. OIT CONTROL MODULE (SEE DETAIL B ON PAGE 14).
3. INLET LINE STRAINER WITH NIPPLE (SEE DETAIL C ON PAGE 14).
4. OPTIONAL ACCESSORIES (SEE PAGE 29).

NOTE:

REAR INTAKE ADAPTER NOT AVAILABLE ON RIGHT SIDE.

ALL DIMENSIONS SHOWN  
AS INCH/MILLIMETER

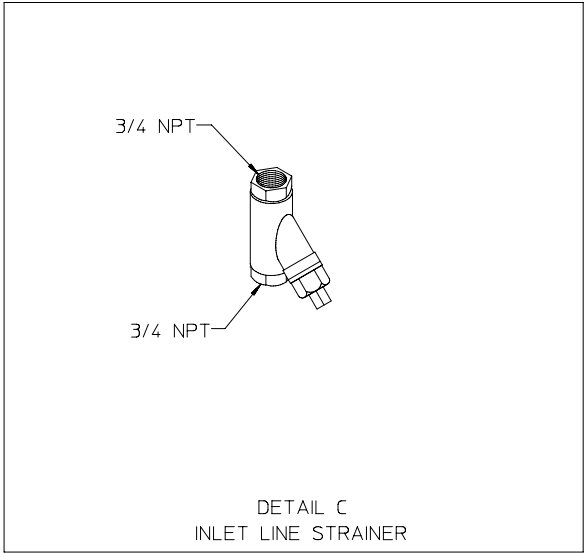
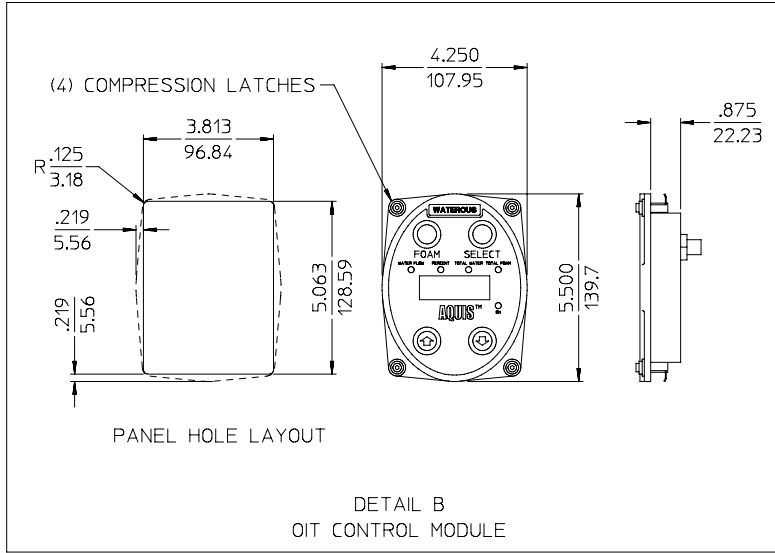
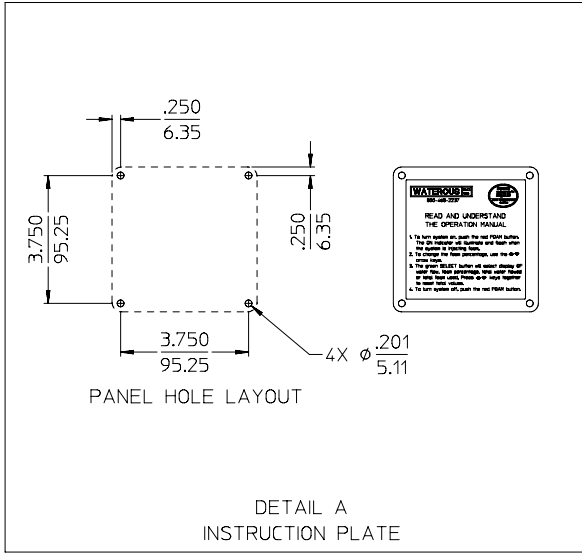
( $\frac{\text{INCH}}{\text{MILLIMETER}}$ )



**PUMP MOUNTED AQUIS 2.5 FOAM PUMP  
500 GPM MANIFOLD, LEFT HAND DISCHARGE OVER THE TOP OF PUMP  
WITH 81388-7A PUMP DISCHARGE FITTING**

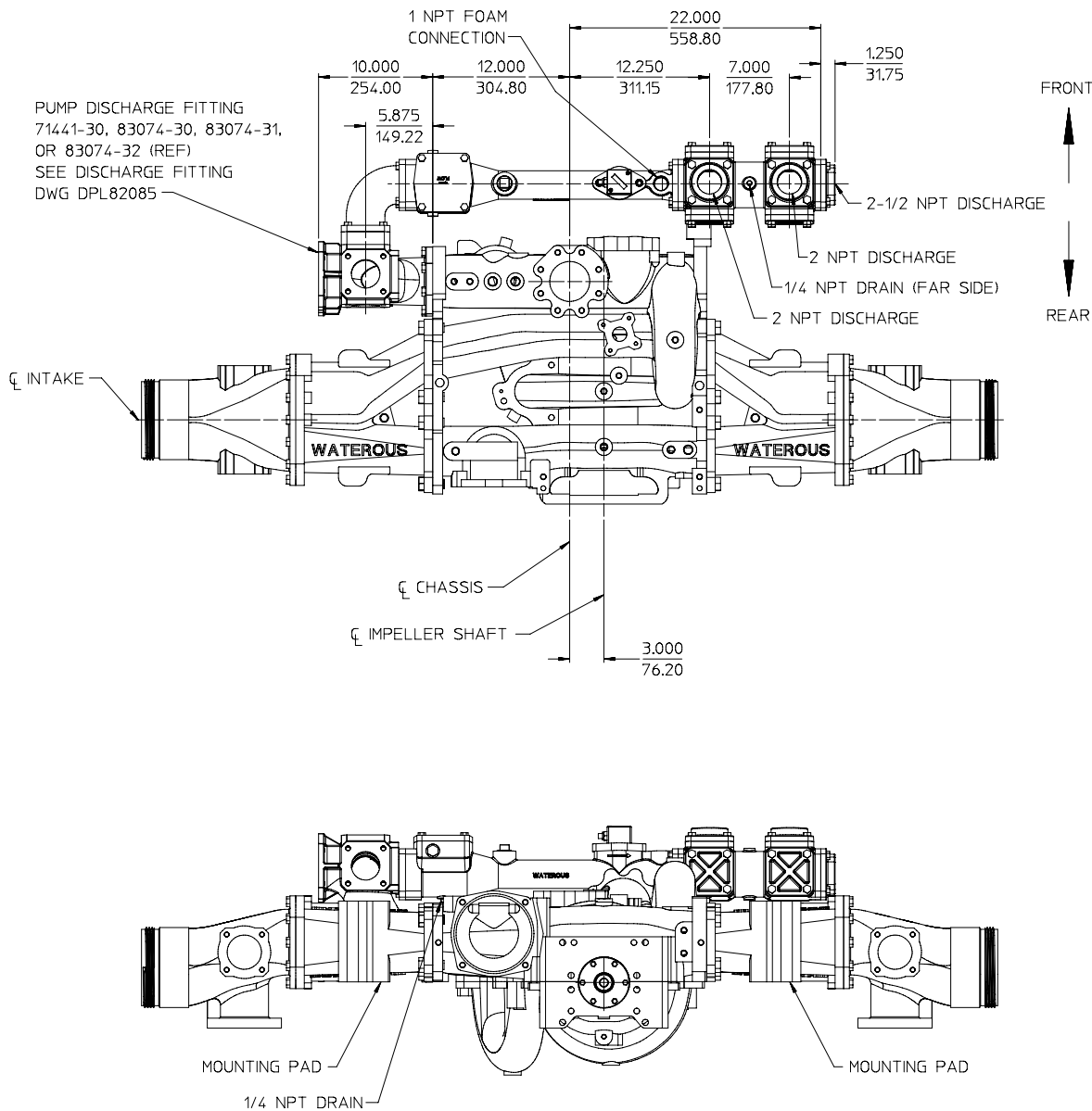
AVAILABLE ON IRON PUMPS WITH 4° ANGLE COMPENSATED BODIES ONLY

FOAM MANAGER WITH AQUIS 2.5  
DPL83079  
WATEROUS COMPANY  
SOUTH ST. PAUL, MN 55075  
PAGE 13 OF 30



**ITEMS SHIPPED LOOSE**  
FOR PUMPS WHERE AQUIS FOAM PUMP IS PUMP MOUNTED

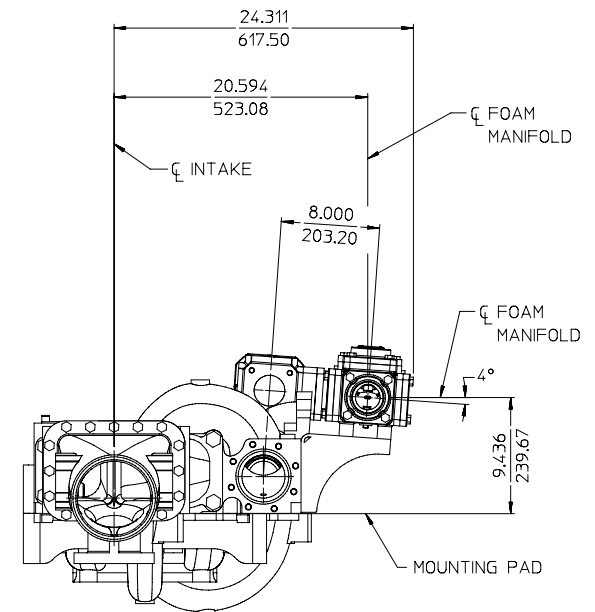
ALL DIMENSIONS SHOWN  
AS INCH/MILLIMETER  
( INCH / MILLIMETER )



- THE FOLLOWING ITEMS SHIPPED LOOSE:
1. INSTRUCTION PLATE. (SEE DETAIL A ON PAGE 28).
  2. OIT CONTROL MODULE (SEE DETAIL B ON PAGE 28).
  3. INLET LINE STRAINER WITH NIPPLE (SEE DETAIL C ON PAGE 28).
  4. AQUIS FOAM PUMP (SEE DETAIL D ON PAGE 28)
  5. CHECK VALVE (SEE DETAIL E ON PAGE 28)
  6. FOAM INJECTION HOSE KIT (SEE DETAIL F ON PAGE 28)
  7. OPTIONAL ACCESSORIES (SEE PAGE 29).

NOTE:  
REAR INTAKE ADAPTER NOT AVAILABLE ON RIGHT SIDE.

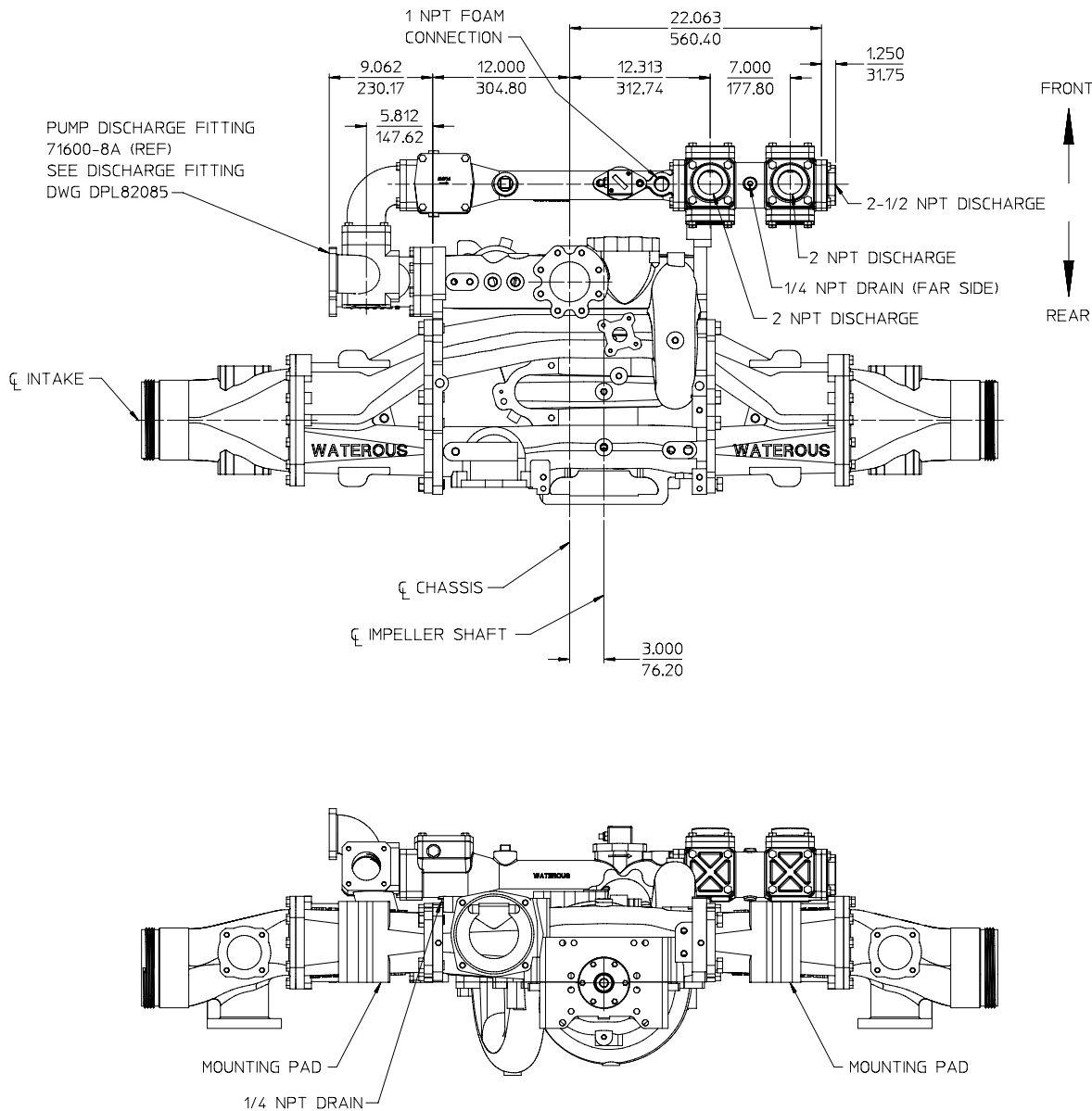
ALL DIMENSIONS SHOWN  
AS INCH/MILLIMETER  
 $\left( \frac{\text{INCH}}{\text{MILLIMETER}} \right)$



**SEPARATELY MOUNTED AQUIS 2.5 FOAM PUMP**  
**500 GPM MANIFOLD, RIGHT HAND DISCHARGE ON THE FRONT OF PUMP**  
**WITH 71441-30, 83074-30, 83074-31, OR 83074-32 PUMP DISCHARGE FITTING**

AVAILABLE ON IRON PUMPS WITH 4° ANGLE COMPENSATED BODIES ONLY

FOAM MANAGER WITH AQUIS 2.5  
DPL83079  
WATEROUS COMPANY  
SOUTH ST. PAUL, MN 55075  
PAGE 15 OF 30



THE FOLLOWING ITEMS SHIPPED LOOSE:

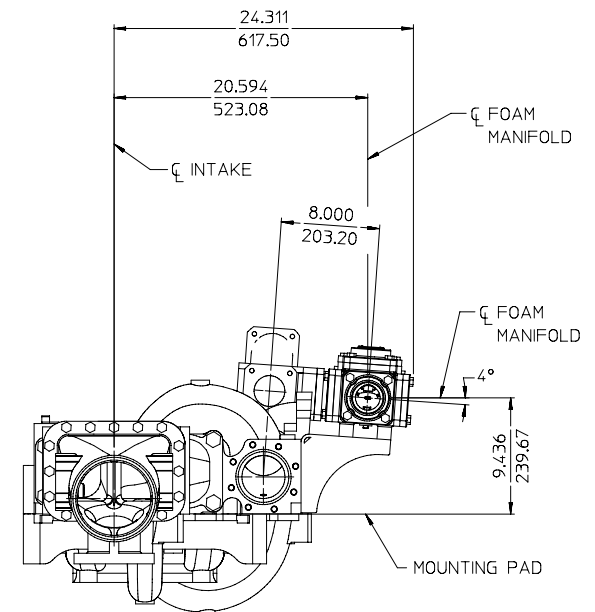
1. INSTRUCTION PLATE. (SEE DETAIL A ON PAGE 28).
2. OIT CONTROL MODULE (SEE DETAIL B ON PAGE 28).
3. INLET LINE STRAINER WITH NIPPLE (SEE DETAIL C ON PAGE 28).
4. AQUIS FOAM PUMP (SEE DETAIL D ON PAGE 28)
5. CHECK VALVE (SEE DETAIL E ON PAGE 28)
6. FOAM INJECTION HOSE KIT (SEE DETAIL F ON PAGE 28)
7. OPTIONAL ACCESSORIES (SEE PAGE 29).

NOTE:

REAR INTAKE ADAPTER NOT AVAILABLE ON RIGHT SIDE.

ALL DIMENSIONS SHOWN  
AS INCH/MILLIMETER

( $\frac{\text{INCH}}{\text{MILLIMETER}}$ )



**SEPARATELY MOUNTED AQUIS 2.5 FOAM PUMP**  
**500 GPM MANIFOLD, RIGHT HAND DISCHARGE ON THE FRONT OF PUMP**  
**WITH 71600-8A PUMP DISCHARGE FITTING**

AVAILABLE ON IRON PUMPS WITH 4° ANGLE COMPENSATED BODIES ONLY

**FOAM MANAGER WITH AQUIS 2.5**

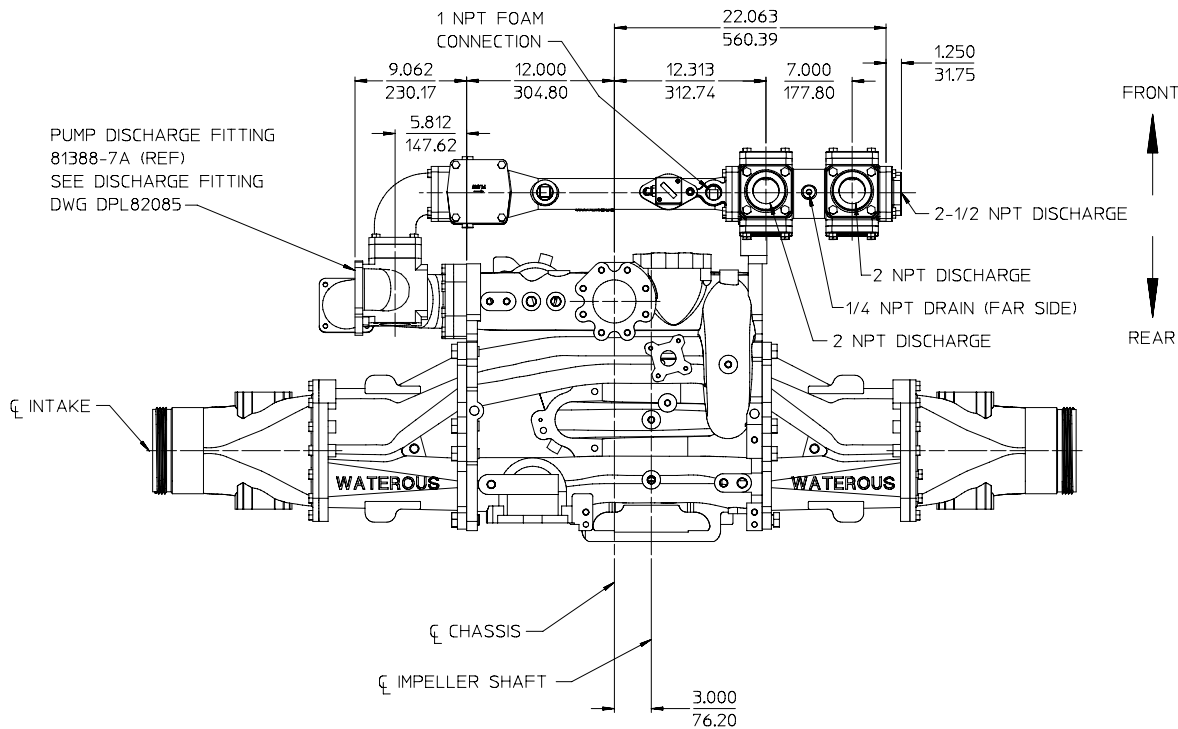
DPL83079

WATEROUS COMPANY

SOUTH ST. PAUL, MN 55075

PAGE 16 OF 30

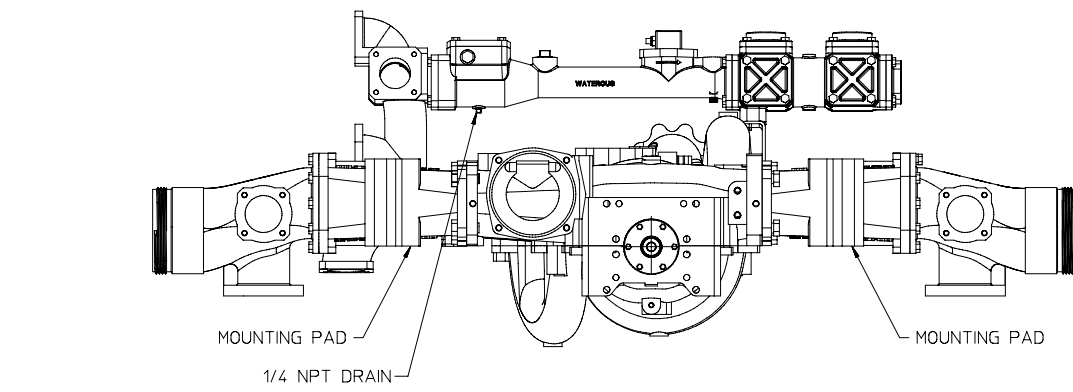




- THE FOLLOWING ITEMS SHIPPED LOOSE:
1. INSTRUCTION PLATE. (SEE DETAIL A ON PAGE 28).
  2. OIT CONTROL MODULE (SEE DETAIL B ON PAGE 28).
  3. INLET LINE STRAINER WITH NIPPLE (SEE DETAIL C ON PAGE 28).
  4. AQUIS FOAM PUMP (SEE DETAIL D ON PAGE 28)
  5. CHECK VALVE (SEE DETAIL E ON PAGE 28)
  6. FOAM INJECTION HOSE KIT (SEE DETAIL F ON PAGE 28)
  7. OPTIONAL ACCESSORIES (SEE PAGE 29).

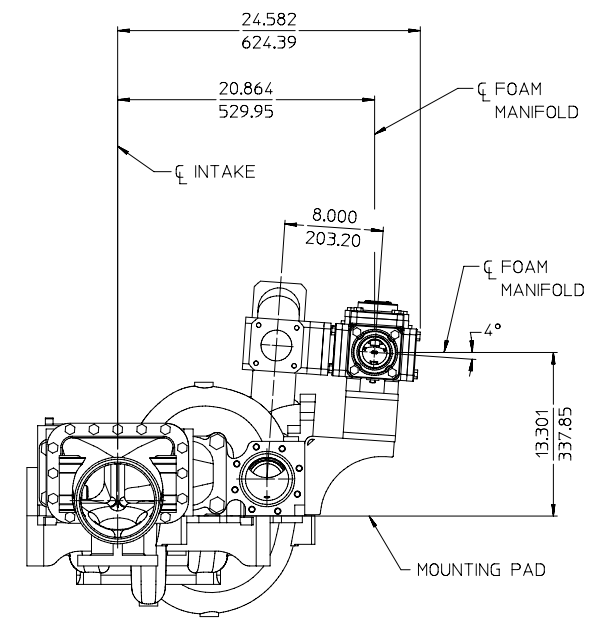
NOTE:  
REAR INTAKE ADAPTER NOT AVAILABLE ON RIGHT SIDE.

ALL DIMENSIONS SHOWN  
AS INCH/MILLIMETER  
( INCH / MILLIMETER )

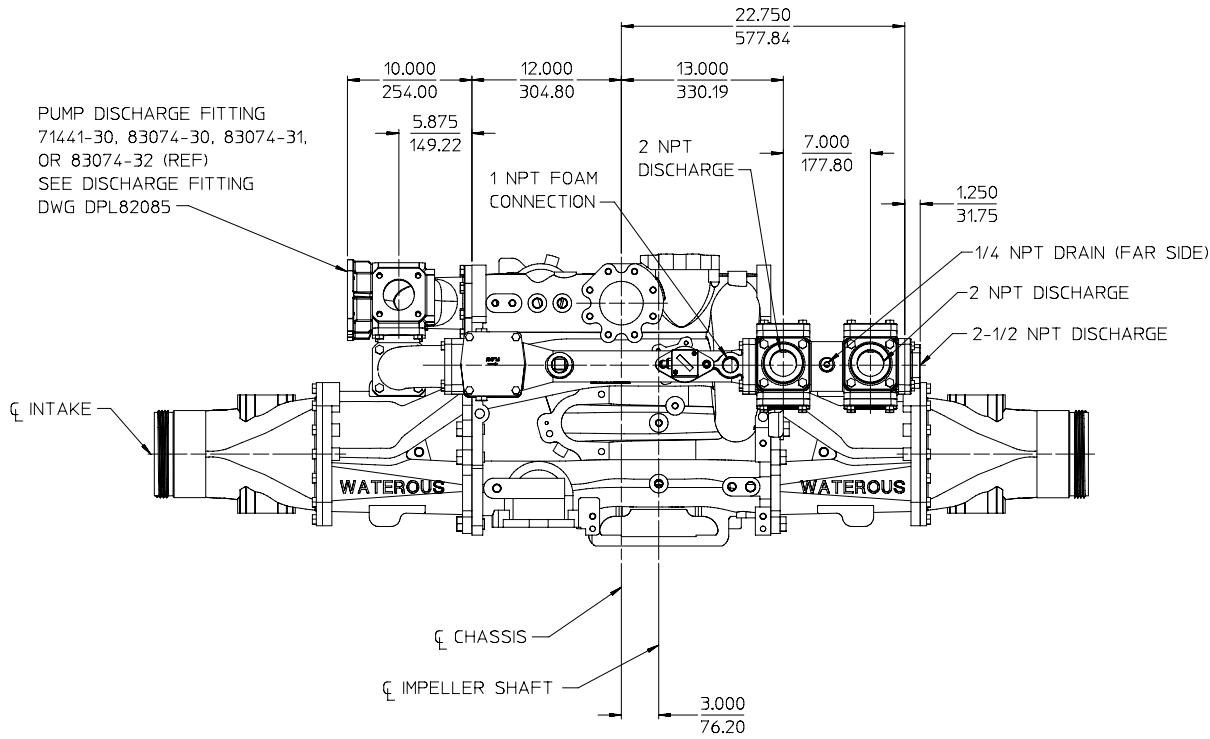


**SEPARATELY MOUNTED AQUIS 2.5 FOAM PUMP  
500 GPM MANIFOLD, RIGHT HAND DISCHARGE ON THE FRONT OF PUMP  
WITH 81388-7A PUMP DISCHARGE FITTING**

AVAILABLE ON IRON PUMPS WITH 4° ANGLE COMPENSATED BODIES ONLY



FOAM MANAGER WITH AQUIS 2.5  
DPL83079  
WATEROUS COMPANY  
SOUTH ST. PAUL, MN 55075  
PAGE 17 OF 30



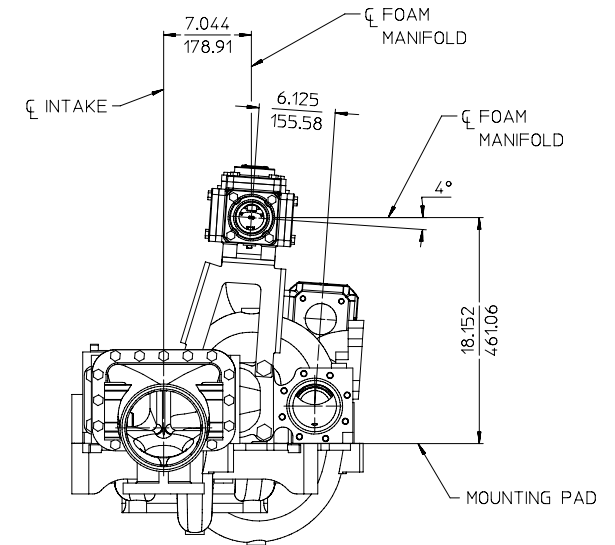
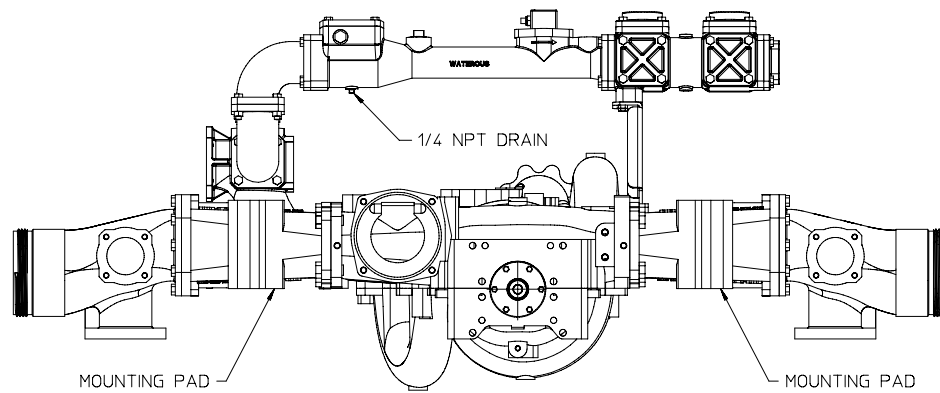
THE FOLLOWING ITEMS SHIPPED LOOSE:

1. INSTRUCTION PLATE. (SEE DETAIL A ON PAGE 28).
2. OIT CONTROL MODULE (SEE DETAIL B ON PAGE 28).
3. INLET LINE STRAINER WITH NIPPLE (SEE DETAIL C ON PAGE 28).
4. AQUIS FOAM PUMP (SEE DETAIL D ON PAGE 28)
5. CHECK VALVE (SEE DETAIL E ON PAGE 28)
6. FOAM INJECTION HOSE KIT (SEE DETAIL F ON PAGE 28)
7. OPTIONAL ACCESSORIES (SEE PAGE 29).

NOTE:

REAR INTAKE ADAPTER NOT AVAILABLE ON RIGHT SIDE.

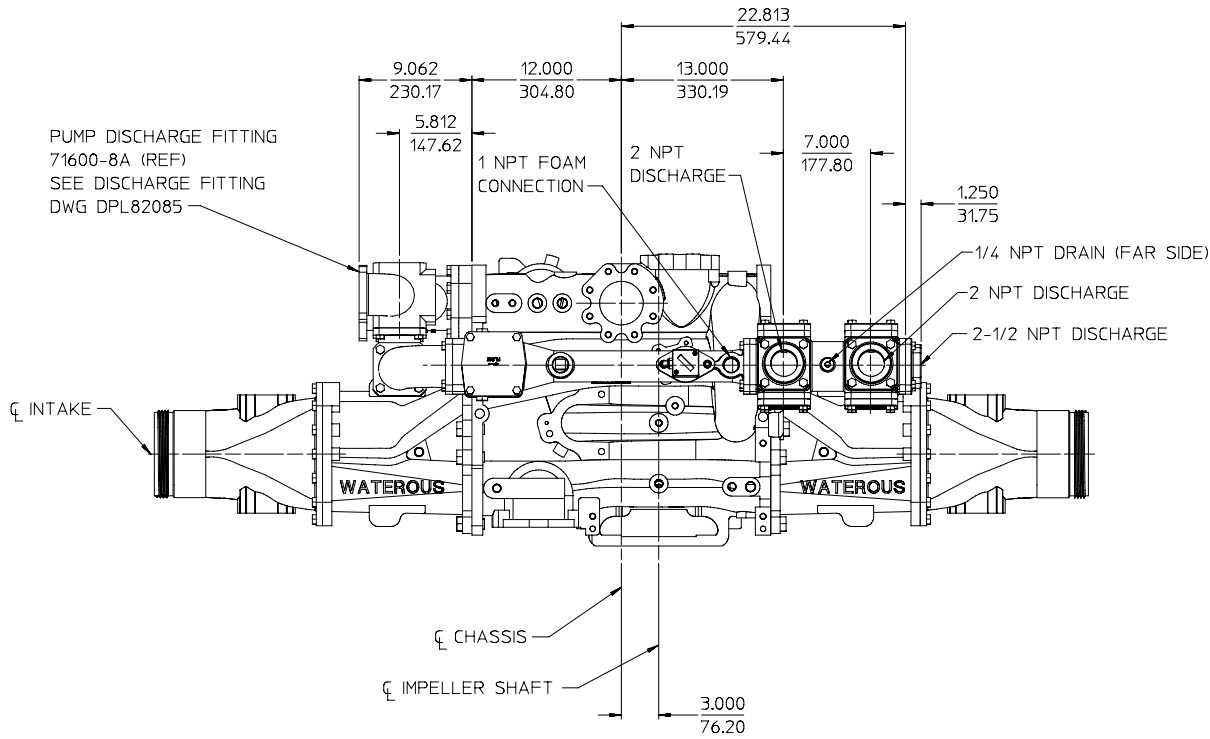
ALL DIMENSIONS SHOWN  
 AS INCH/MILLIMETER  
 INCH  
 (MILLIMETER)



**SEPARATELY MOUNTED AQUIS 2.5 FOAM PUMP**  
**500 GPM MANIFOLD, RIGHT HAND DISCHARGE OVER THE TOP OF PUMP**  
**WITH 71441-30, 83074-30, 83074-31, OR 83074-32 PUMP DISCHARGE FITTING**

AVAILABLE ON IRON PUMPS WITH 4° ANGLE COMPENSATED BODIES ONLY

FOAM MANAGER WITH AQUIS 2.5  
 DPL83079  
 WATEROUS COMPANY  
 SOUTH ST. PAUL, MN 55075  
 PAGE 18 OF 30



FRONT



REAR

THE FOLLOWING ITEMS SHIPPED LOOSE:

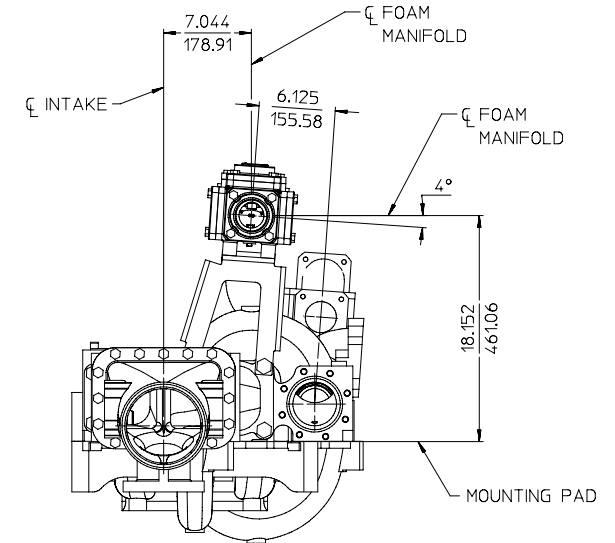
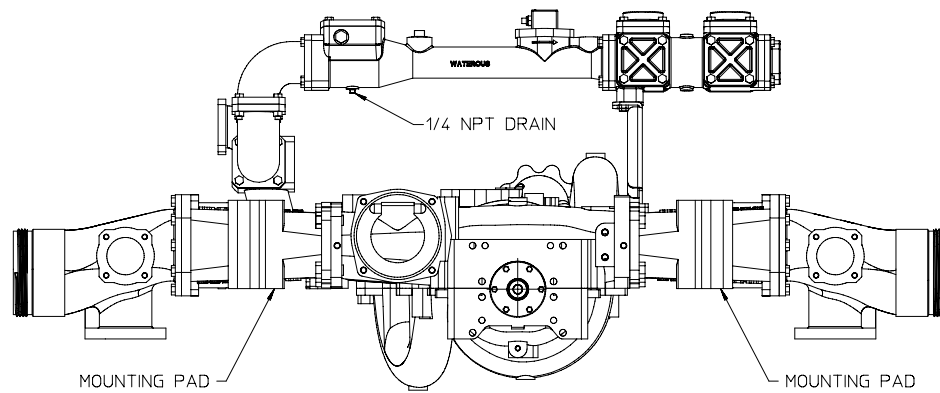
1. INSTRUCTION PLATE. (SEE DETAIL A ON PAGE 28).
2. OIT CONTROL MODULE (SEE DETAIL B ON PAGE 28).
3. INLET LINE STRAINER WITH NIPPLE (SEE DETAIL C ON PAGE 28).
4. AQUIS FOAM PUMP (SEE DETAIL D ON PAGE 28)
5. CHECK VALVE (SEE DETAIL E ON PAGE 28)
6. FOAM INJECTION HOSE KIT (SEE DETAIL F ON PAGE 28)
7. OPTIONAL ACCESSORIES (SEE PAGE 29).

NOTE:

REAR INTAKE ADAPTER NOT AVAILABLE ON RIGHT SIDE.

ALL DIMENSIONS SHOWN  
AS INCH/MILLIMETER

INCH  
(MILLIMETER)



**SEPARATELY MOUNTED AQUIS 2.5 FOAM PUMP**  
**500 GPM MANIFOLD, RIGHT HAND DISCHARGE OVER THE TOP OF PUMP**  
**WITH 71600-8A PUMP DISCHARGE FITTING**

AVAILABLE ON IRON PUMPS WITH 4° ANGLE COMPENSATED BODIES ONLY

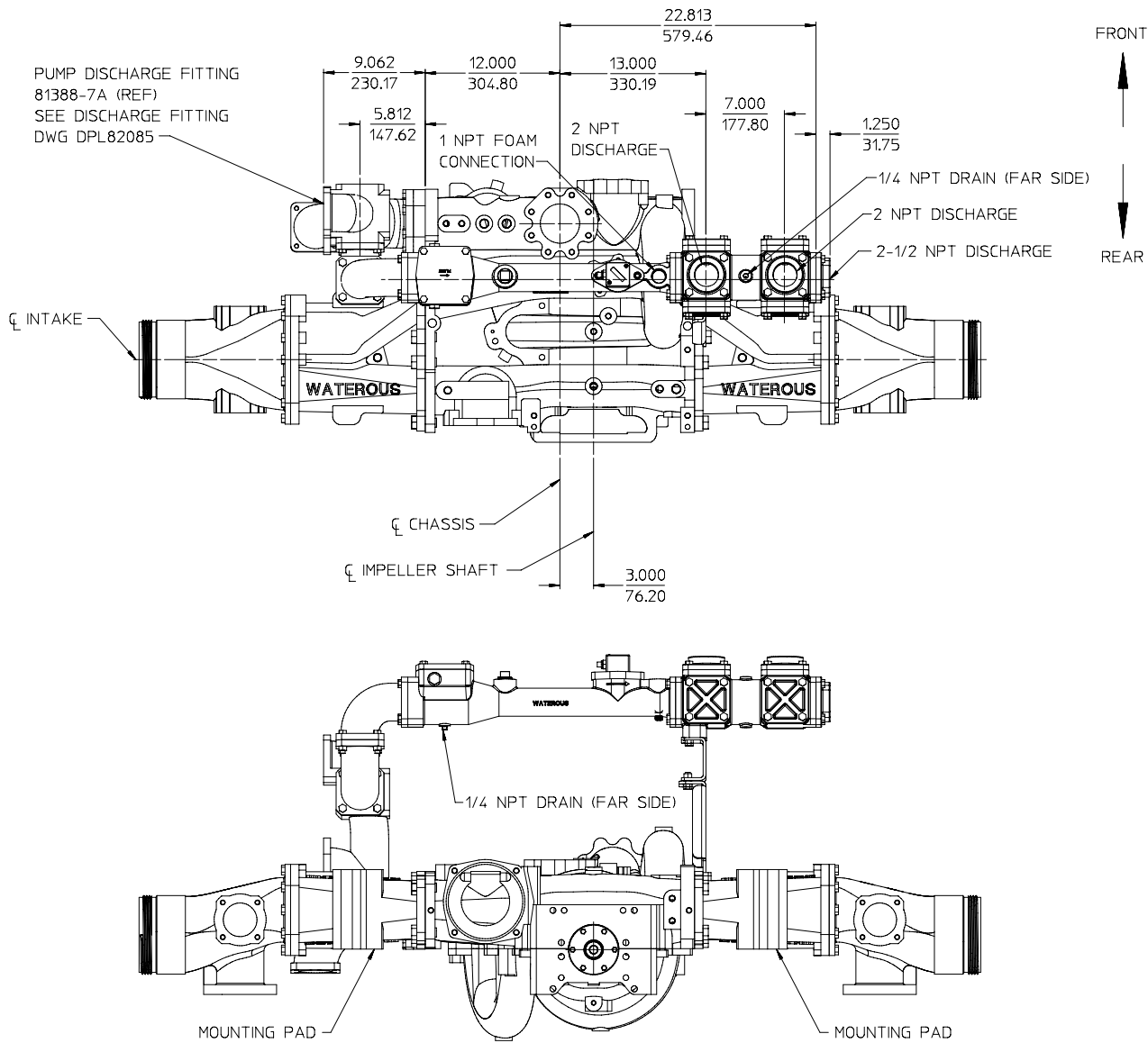
FOAM MANAGER WITH AQUIS 2.5

DPL83079

WATEROUS COMPANY

SOUTH ST. PAUL, MN 55075

PAGE 19 OF 30



THE FOLLOWING ITEMS SHIPPED LOOSE:

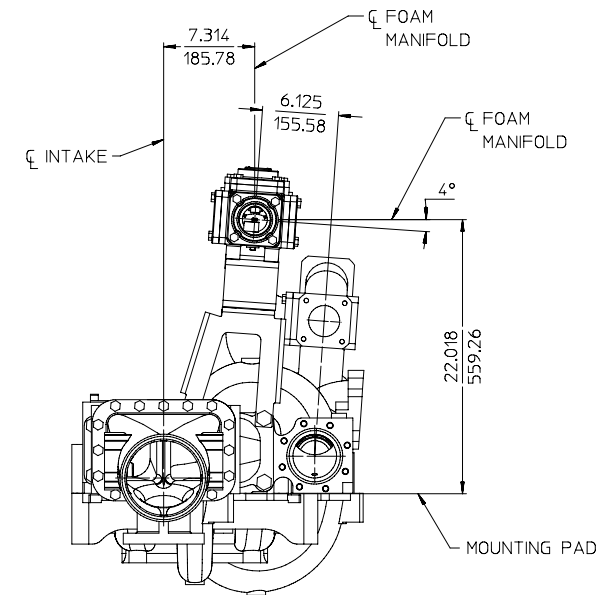
1. INSTRUCTION PLATE. (SEE DETAIL A ON PAGE 28).
2. OIT CONTROL MODULE (SEE DETAIL B ON PAGE 28).
3. INLET LINE STRAINER WITH NIPPLE (SEE DETAIL C ON PAGE 28).
4. AQUIS FOAM PUMP (SEE DETAIL D ON PAGE 28)
5. CHECK VALVE (SEE DETAIL E ON PAGE 28)
6. FOAM INJECTION HOSE KIT (SEE DETAIL F ON PAGE 28)
7. OPTIONAL ACCESSORIES (SEE PAGE 29).

NOTE:

REAR INTAKE ADAPTER NOT AVAILABLE ON RIGHT SIDE.

ALL DIMENSIONS SHOWN  
 AS INCH/MILLIMETER

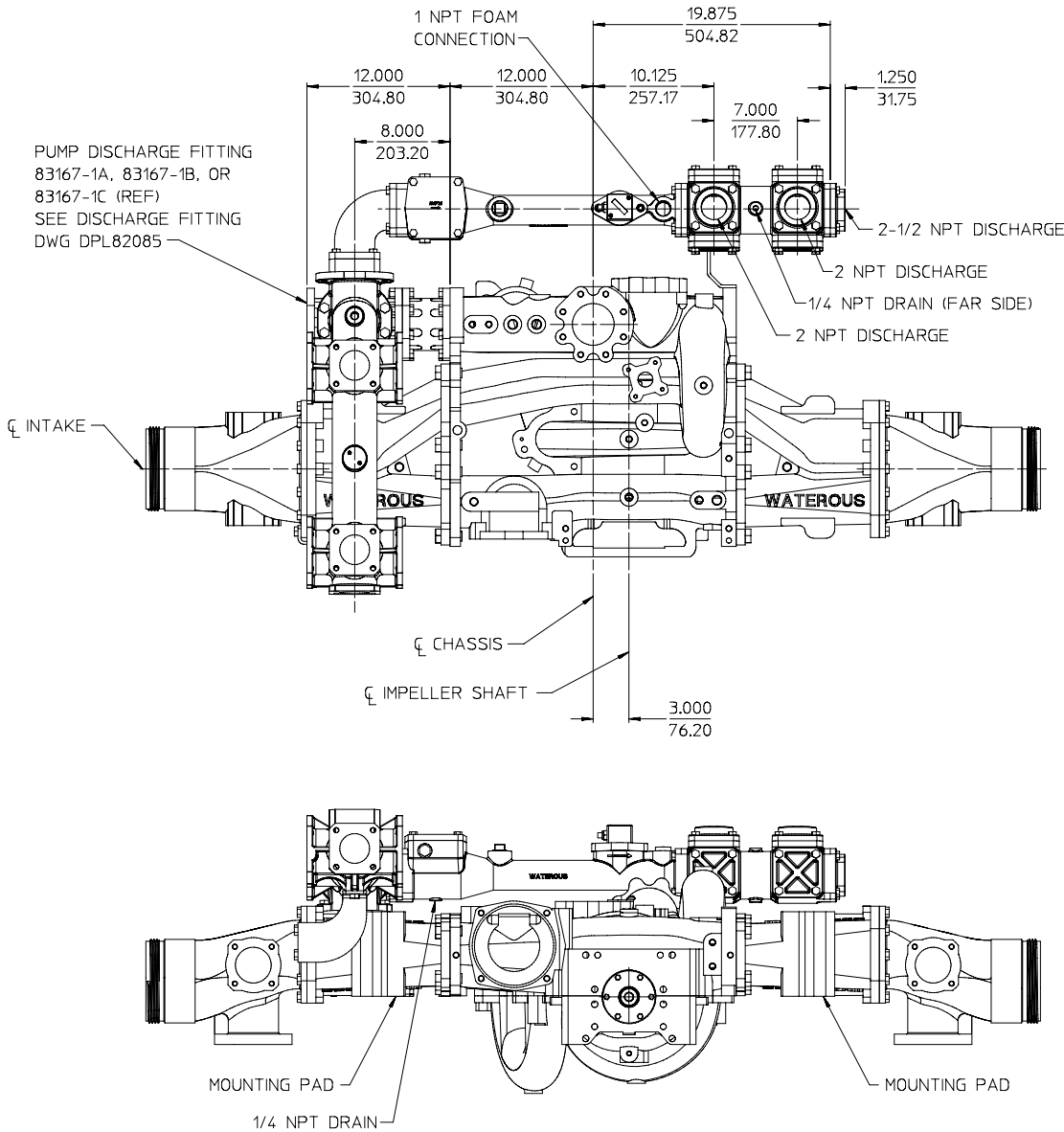
$\left( \frac{\text{INCH}}{\text{MILLIMETER}} \right)$



**SEPARATELY MOUNTED AQUIS 2.5 FOAM PUMP**  
**500 GPM MANIFOLD, RIGHT HAND DISCHARGE OVER THE TOP OF PUMP**  
**WITH 81388-7A PUMP DISCHARGE FITTING**

AVAILABLE ON IRON PUMPS WITH 4° ANGLE COMPENSATED BODIES ONLY

FOAM MANAGER WITH AQUIS 2.5  
 DPL83079  
 WATEROUS COMPANY  
 SOUTH ST. PAUL, MN 55075  
 PAGE 20 OF 30



THE FOLLOWING ITEMS SHIPPED LOOSE:

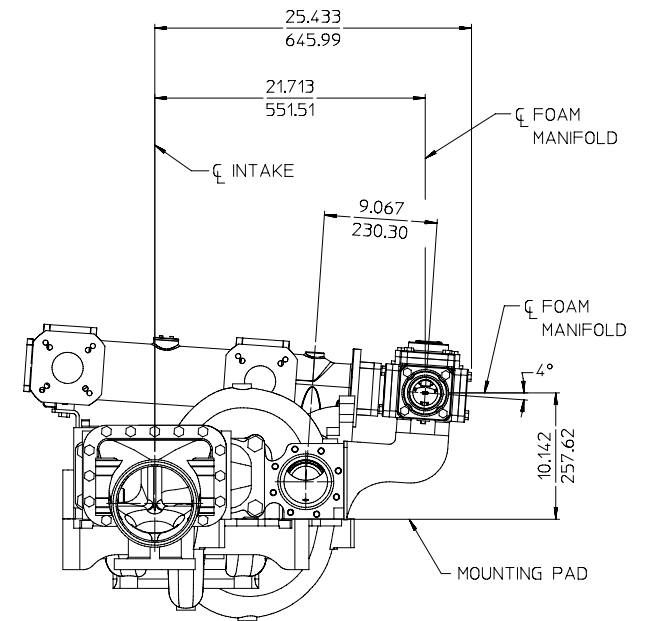
1. INSTRUCTION PLATE. (SEE DETAIL A ON PAGE 28).
2. OIT CONTROL MODULE (SEE DETAIL B ON PAGE 28).
3. INLET LINE STRAINER WITH NIPPLE (SEE DETAIL C ON PAGE 28).
4. AQUIS FOAM PUMP (SEE DETAIL D ON PAGE 28)
5. CHECK VALVE (SEE DETAIL E ON PAGE 28)
6. FOAM INJECTION HOSE KIT (SEE DETAIL F ON PAGE 28)
7. OPTIONAL ACCESSORIES (SEE PAGE 29).

NOTE:

REAR INTAKE ADAPTER NOT AVAILABLE ON RIGHT SIDE.

ALL DIMENSIONS SHOWN  
AS INCH/MILLIMETER

(  
INCH  
MILLIMETER



**SEPARATELY MOUNTED AQUIS 2.5 FOAM PUMP**  
**500 GPM MANIFOLD, RIGHT HAND DISCHARGE ON THE FRONT OF DISCHARGE MANIFOLD**  
**WITH 83167-1A, 83167-1B, OR 83167-1C PUMP DISCHARGE MANIFOLD**

AVAILABLE ON IRON PUMPS WITH 4° ANGLE COMPENSATED BODIES ONLY

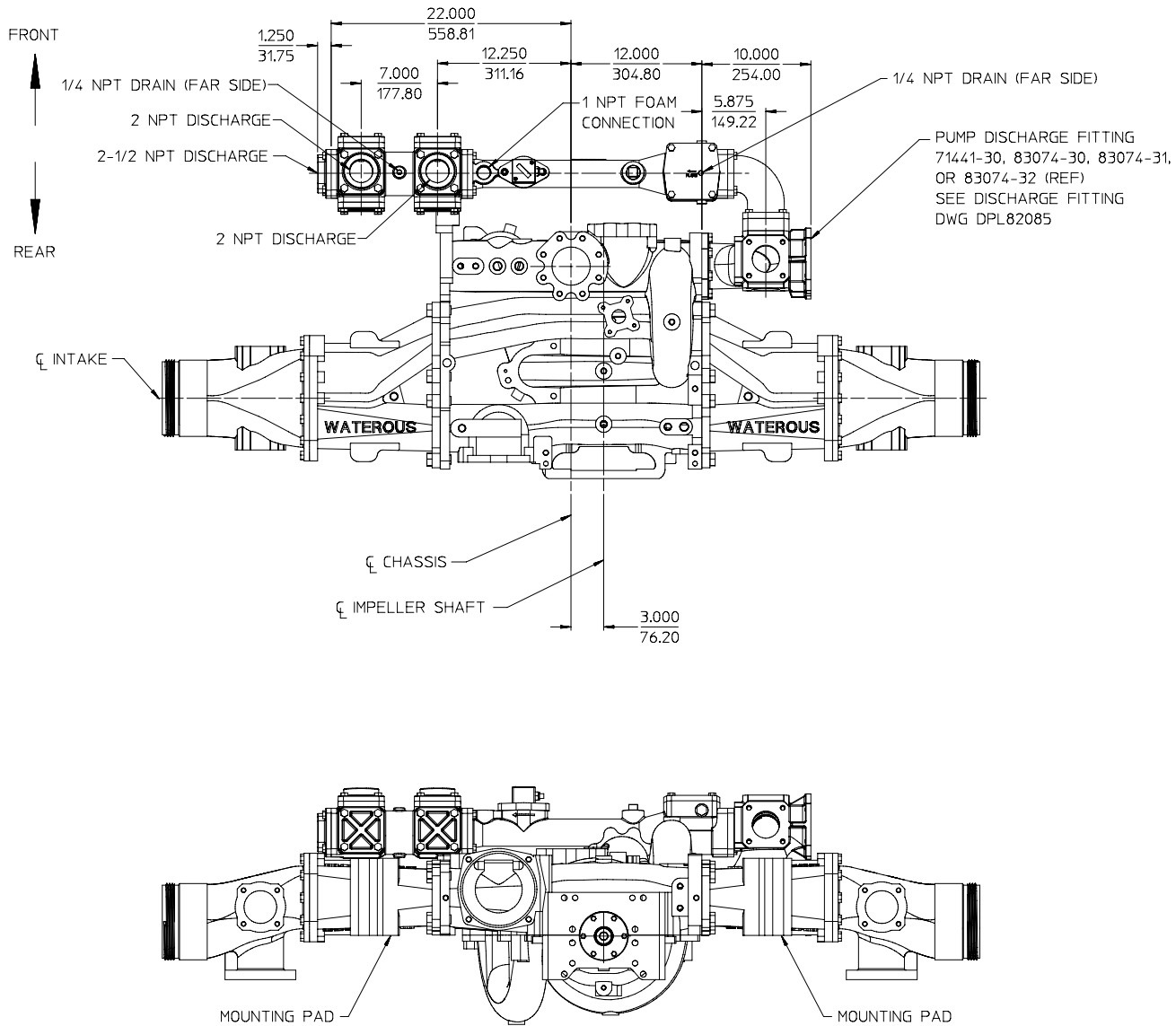
FOAM MANAGER WITH AQUIS 2.5

DPL83079

WATEROUS COMPANY

SOUTH ST. PAUL, MN 55075

PAGE 21 OF 30



THE FOLLOWING ITEMS SHIPPED LOOSE:

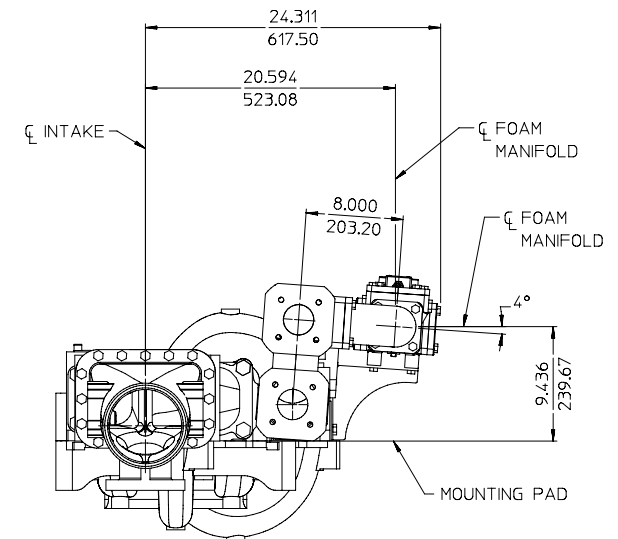
1. INSTRUCTION PLATE. (SEE DETAIL A ON PAGE 28).
2. OIT CONTROL MODULE (SEE DETAIL B ON PAGE 28).
3. INLET LINE STRAINER WITH NIPPLE (SEE DETAIL C ON PAGE 28).
4. AQUIS FOAM PUMP (SEE DETAIL D ON PAGE 28)
5. CHECK VALVE (SEE DETAIL E ON PAGE 28)
6. FOAM INJECTION HOSE KIT (SEE DETAIL F ON PAGE 28)
7. OPTIONAL ACCESSORIES (SEE PAGE 29).

NOTE:

REAR INTAKE ADAPTER NOT AVAILABLE ON RIGHT SIDE.

ALL DIMENSIONS SHOWN  
AS INCH/MILLIMETER

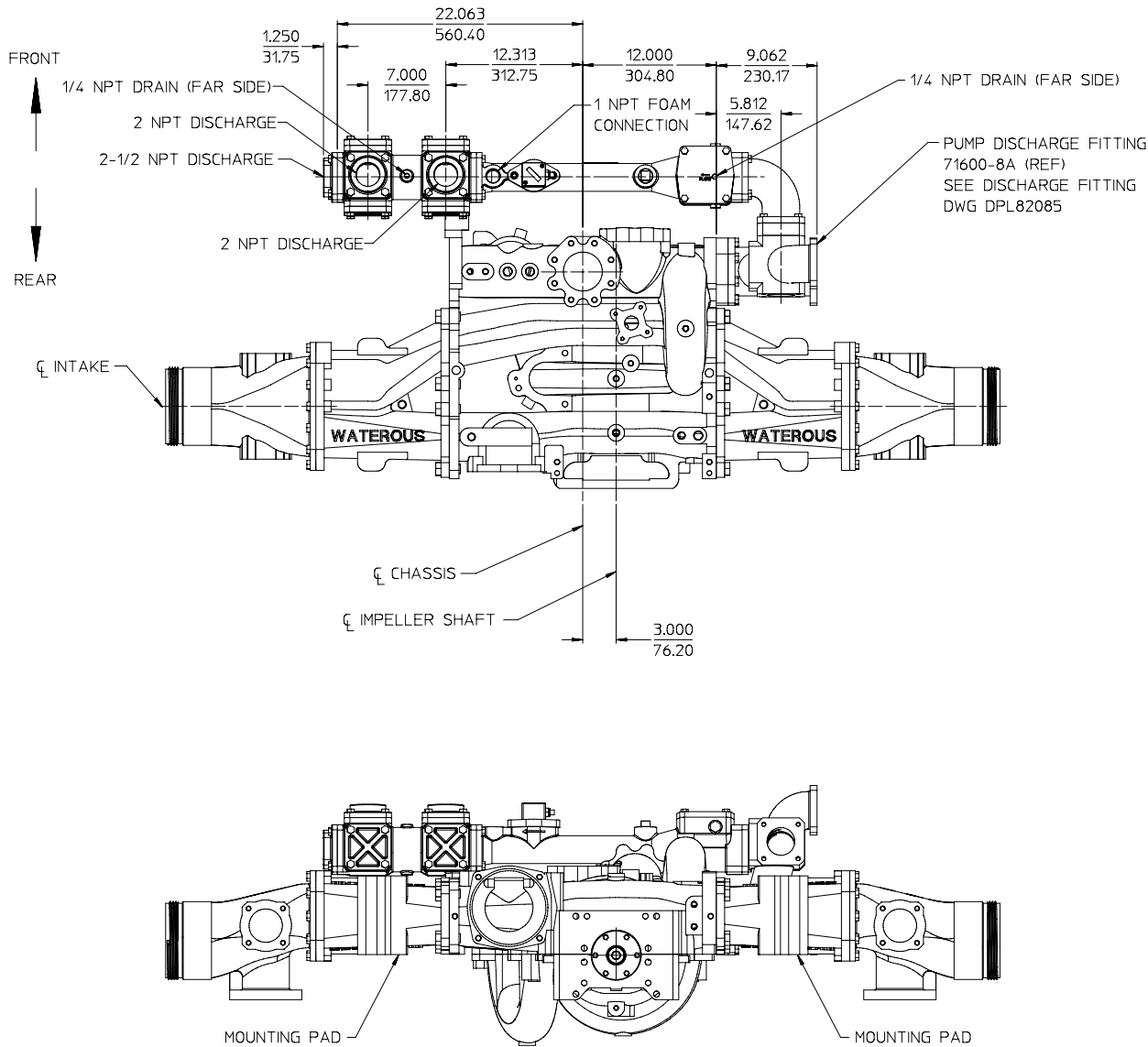
( INCH )  
( MILLIMETER )



**SEPARATELY MOUNTED AQUIS 2.5 FOAM PUMP  
500 GPM MANIFOLD, LEFT HAND DISCHARGE ON THE FRONT OF PUMP  
WITH 71441-30, 83074-30, 83074-31, OR 83074-32 PUMP DISCHARGE FITTING**

AVAILABLE ON IRON PUMPS WITH 4° ANGLE COMPENSATED BODIES ONLY

FOAM MANAGER WITH AQUIS 2.5  
DPL83079  
WATEROUS COMPANY  
SOUTH ST. PAUL, MN 55075  
PAGE 22 OF 30



THE FOLLOWING ITEMS SHIPPED LOOSE:

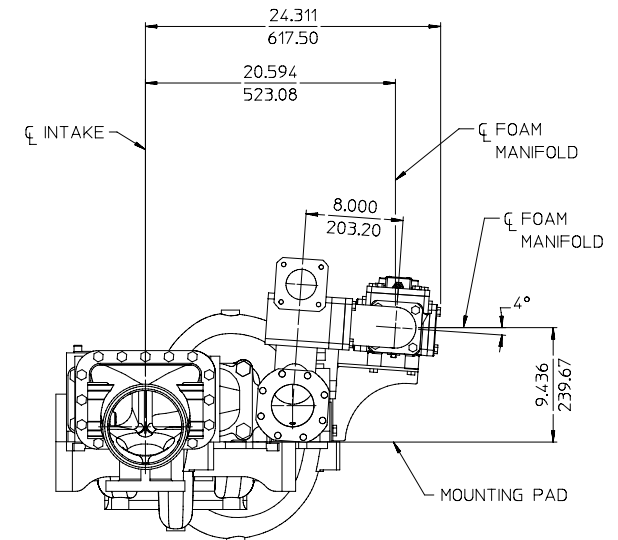
1. INSTRUCTION PLATE. (SEE DETAIL A ON PAGE 28).
2. OIT CONTROL MODULE (SEE DETAIL B ON PAGE 28).
3. INLET LINE STRAINER WITH NIPPLE (SEE DETAIL C ON PAGE 28).
4. AQUIS FOAM PUMP (SEE DETAIL D ON PAGE 28)
5. CHECK VALVE (SEE DETAIL E ON PAGE 28)
6. FOAM INJECTION HOSE KIT (SEE DETAIL F ON PAGE 28)
7. OPTIONAL ACCESSORIES (SEE PAGE 29).

NOTE:

REAR INTAKE ADAPTER NOT AVAILABLE ON RIGHT SIDE.

ALL DIMENSIONS SHOWN  
AS INCH/MILLIMETER

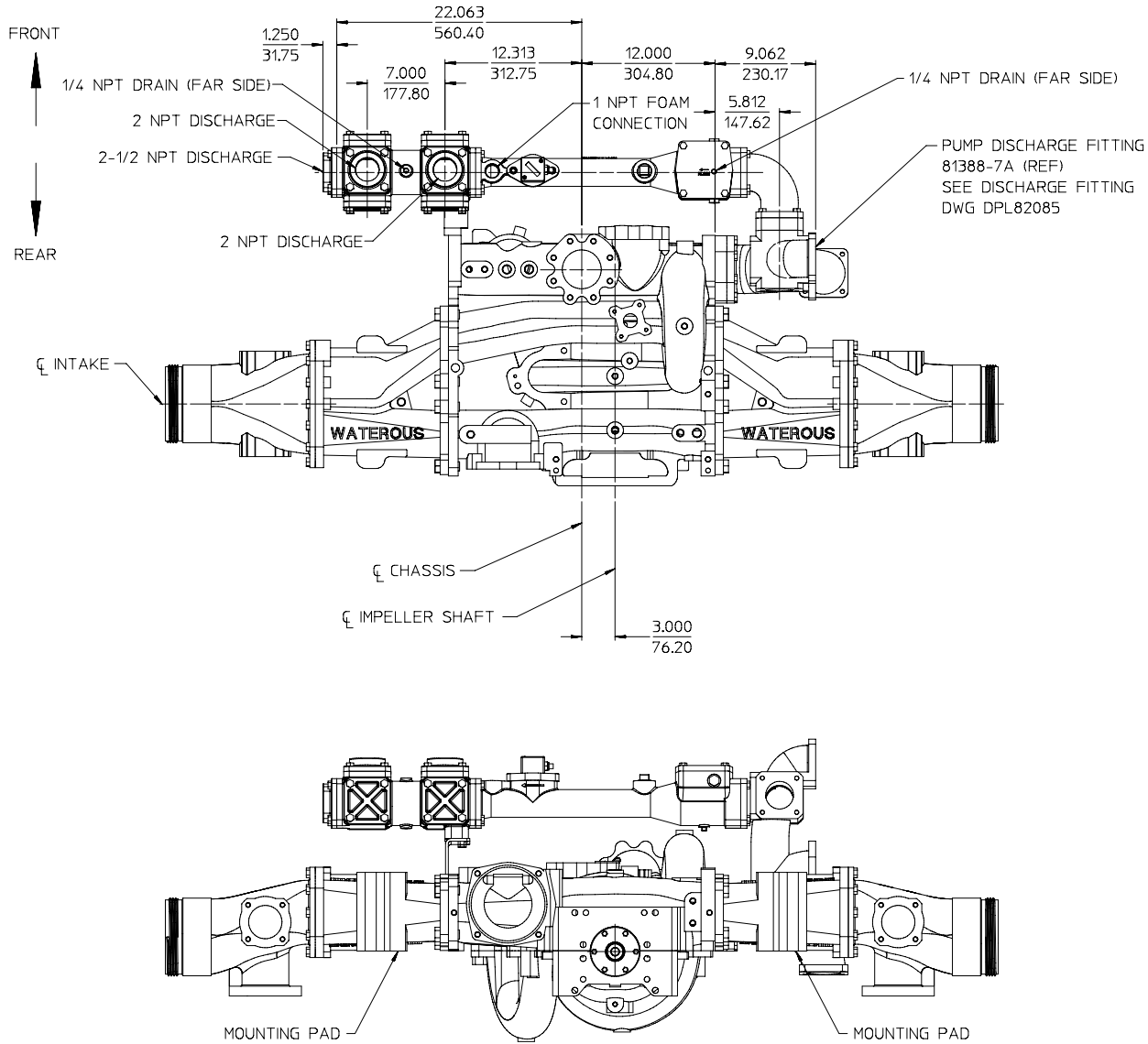
( INCH )  
( MILLIMETER )



**SEPARATELY MOUNTED AQUIS 2.5 FOAM PUMP  
500 GPM MANIFOLD, LEFT HAND DISCHARGE ON THE FRONT OF PUMP  
WITH 71600-8A PUMP DISCHARGE FITTING**

AVAILABLE ON IRON PUMPS WITH 4° ANGLE COMPENSATED BODIES ONLY

FOAM MANAGER WITH AQUIS 2.5  
DPL83079  
WATEROUS COMPANY  
SOUTH ST. PAUL, MN 55075  
PAGE 23 OF 30



THE FOLLOWING ITEMS SHIPPED LOOSE:

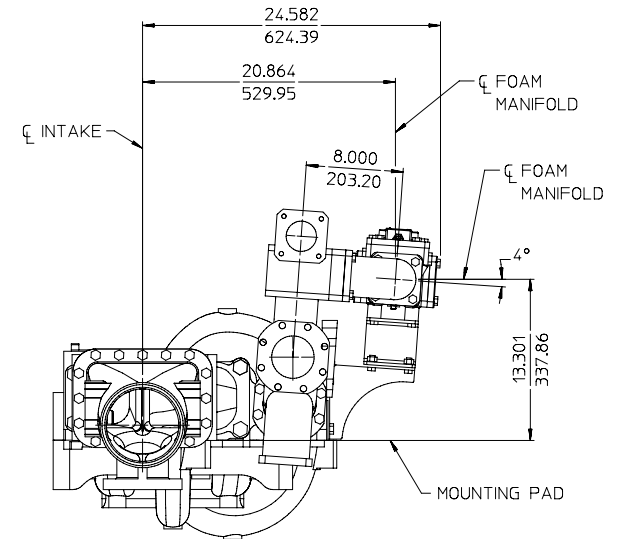
1. INSTRUCTION PLATE. (SEE DETAIL A ON PAGE 28).
2. OIT CONTROL MODULE (SEE DETAIL B ON PAGE 28).
3. INLET LINE STRAINER WITH NIPPLE (SEE DETAIL C ON PAGE 28).
4. AQUIS FOAM PUMP (SEE DETAIL D ON PAGE 28)
5. CHECK VALVE (SEE DETAIL E ON PAGE 28)
6. FOAM INJECTION HOSE KIT (SEE DETAIL F ON PAGE 28)
7. OPTIONAL ACCESSORIES (SEE PAGE 29).

NOTE:

REAR INTAKE ADAPTER NOT AVAILABLE ON RIGHT SIDE.

ALL DIMENSIONS SHOWN  
AS INCH/MILLIMETER

( $\frac{\text{INCH}}{\text{MILLIMETER}}$ )



**SEPARATELY MOUNTED AQUIS 2.5 FOAM PUMP  
500 GPM MANIFOLD, LEFT HAND DISCHARGE ON THE FRONT OF PUMP  
WITH 81388-7A PUMP DISCHARGE FITTING**

AVAILABLE ON IRON PUMPS WITH 4° ANGLE COMPENSATED BODIES ONLY

FOAM MANAGER WITH AQUIS 2.5

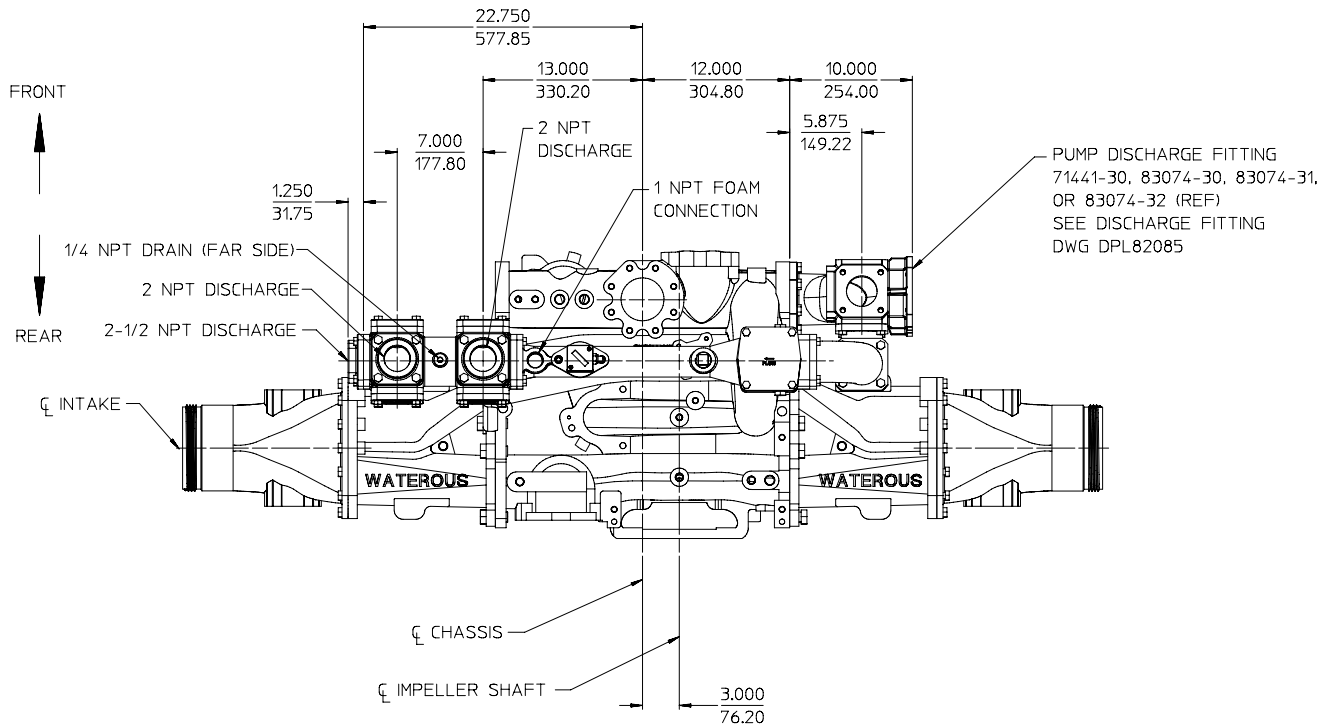
DPL83079

WATEROUS COMPANY

SOUTH ST. PAUL, MN 55075

PAGE 24 OF 30





THE FOLLOWING ITEMS SHIPPED LOOSE:

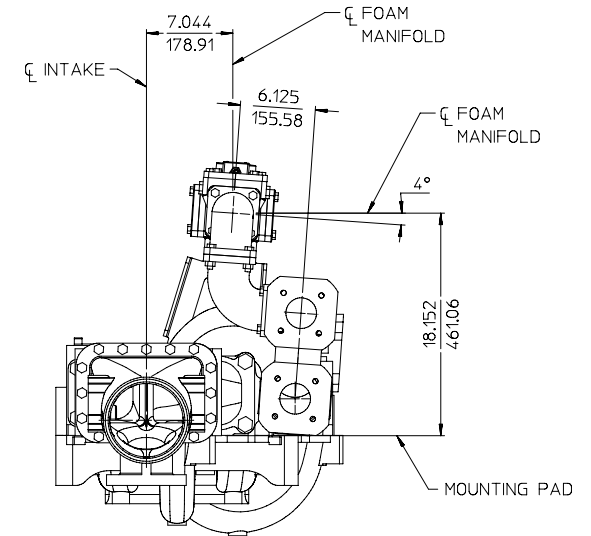
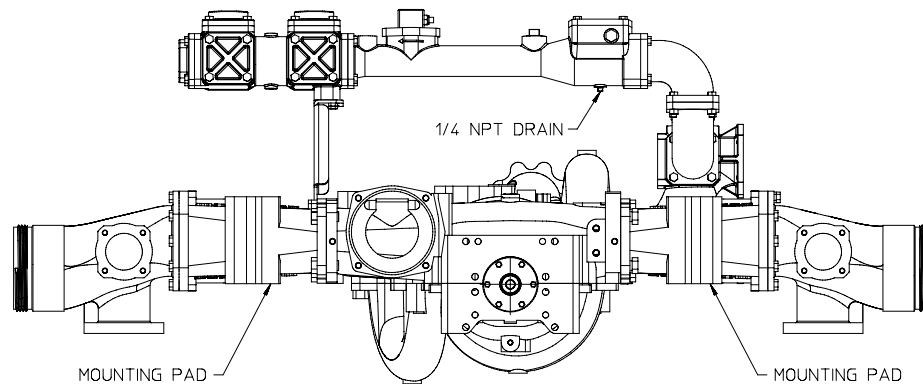
1. INSTRUCTION PLATE. (SEE DETAIL A ON PAGE 28).
2. OIT CONTROL MODULE (SEE DETAIL B ON PAGE 28).
3. INLET LINE STRAINER WITH NIPPLE (SEE DETAIL C ON PAGE 28).
4. AQUIS FOAM PUMP (SEE DETAIL D ON PAGE 28)
5. CHECK VALVE (SEE DETAIL E ON PAGE 28)
6. FOAM INJECTION HOSE KIT (SEE DETAIL F ON PAGE 28)
7. OPTIONAL ACCESSORIES (SEE PAGE 29).

NOTE:

REAR INTAKE ADAPTER NOT AVAILABLE ON RIGHT SIDE.

ALL DIMENSIONS SHOWN  
AS INCH/MILLIMETER

(  
INCH  
MILLIMETER



**SEPARATELY MOUNTED AQUIS 2.5 FOAM PUMP  
500 GPM MANIFOLD, LEFT HAND DISCHARGE OVER THE TOP OF PUMP  
WITH 71441-30, 83074-30, 83074-31, OR 83074-32 PUMP DISCHARGE FITTING**

AVAILABLE ON IRON PUMPS WITH 4° ANGLE COMPENSATED BODIES ONLY

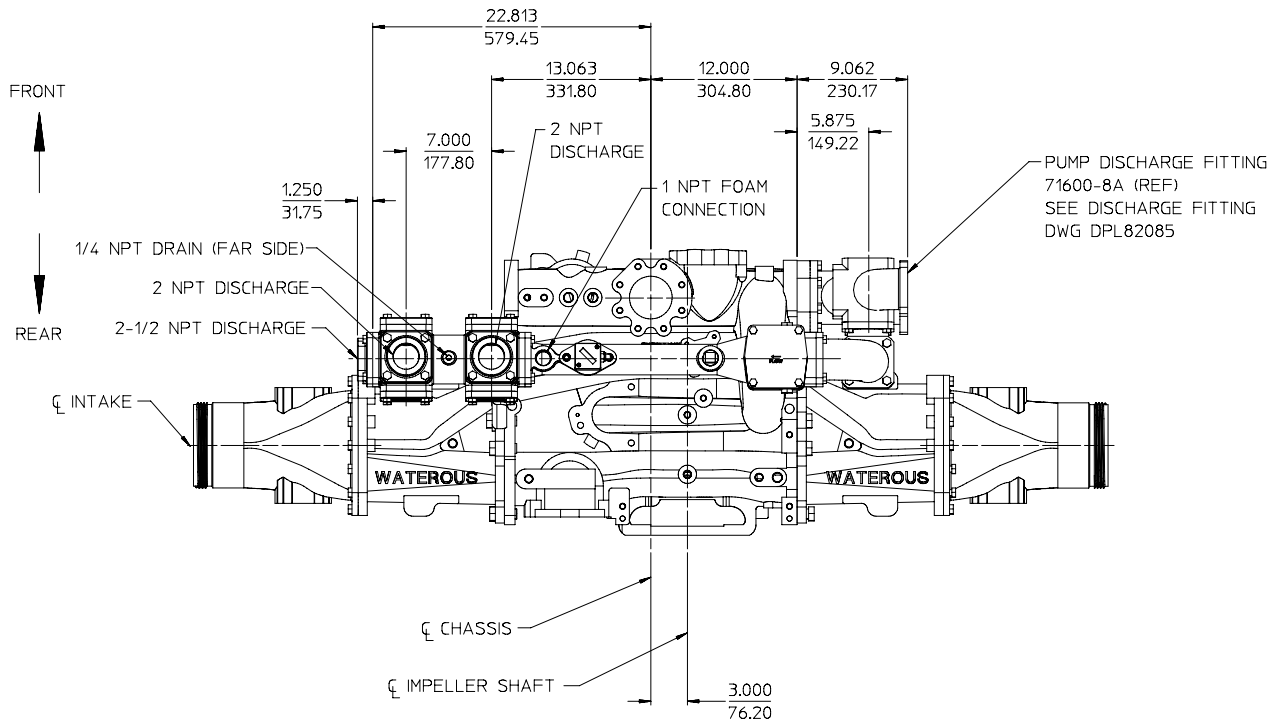
FOAM MANAGER WITH AQUIS 2.5

DPL83079

WATEROUS COMPANY

SOUTH ST. PAUL, MN 55075

PAGE 25 OF 30



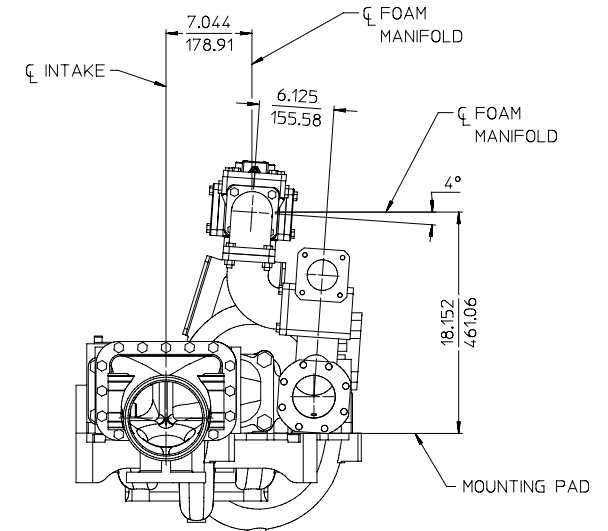
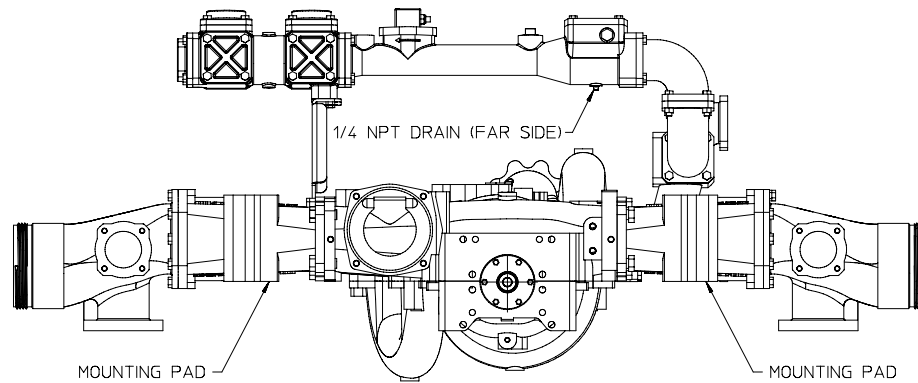
THE FOLLOWING ITEMS SHIPPED LOOSE:

1. INSTRUCTION PLATE. (SEE DETAIL A ON PAGE 28).
2. OIT CONTROL MODULE (SEE DETAIL B ON PAGE 28).
3. INLET LINE STRAINER WITH NIPPLE (SEE DETAIL C ON PAGE 28).
4. AQUIS FOAM PUMP (SEE DETAIL D ON PAGE 28)
5. CHECK VALVE (SEE DETAIL E ON PAGE 28)
6. FOAM INJECTION HOSE KIT (SEE DETAIL F ON PAGE 28)
7. OPTIONAL ACCESSORIES (SEE PAGE 29).

NOTE:

REAR INTAKE ADAPTER NOT AVAILABLE ON RIGHT SIDE.

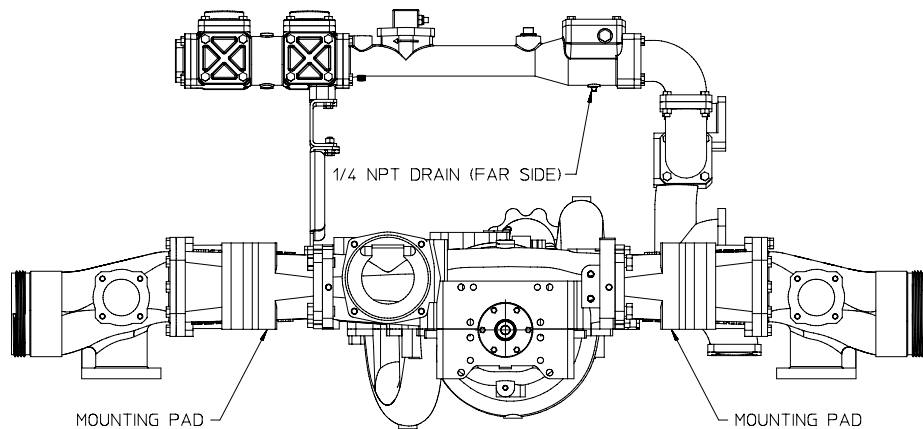
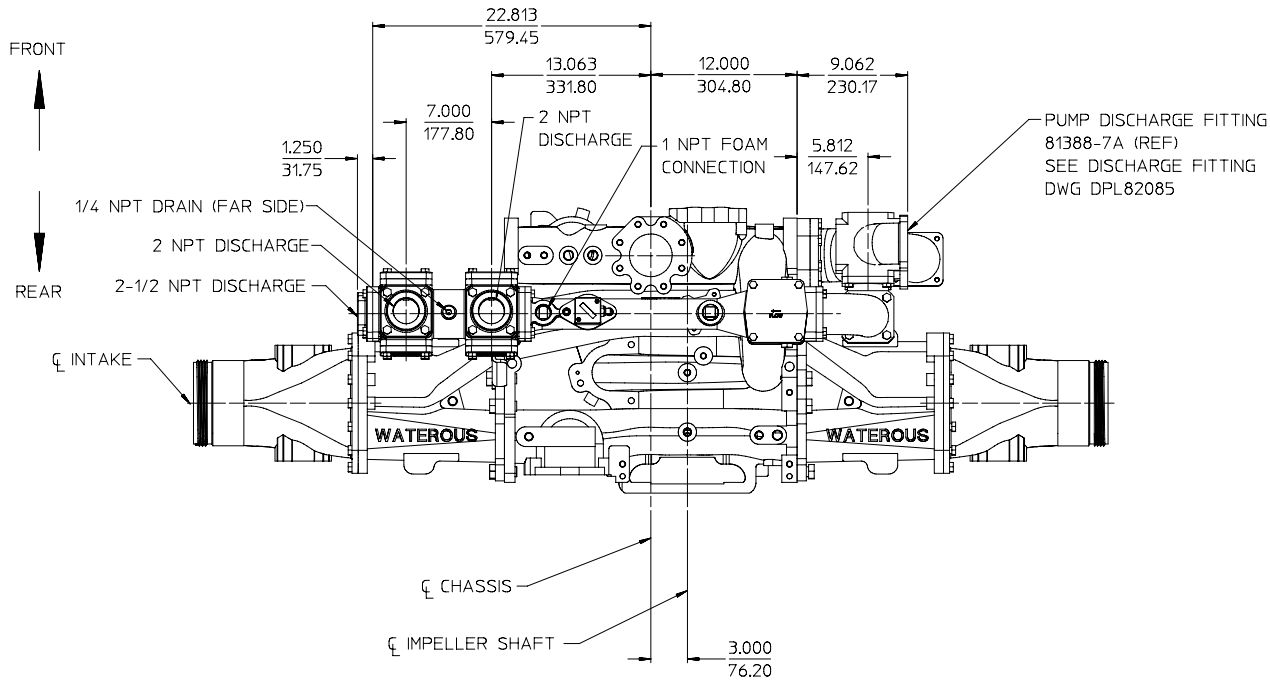
ALL DIMENSIONS SHOWN  
AS INCH/MILLIMETER  
( INCH )  
( MILLIMETER )



**SEPARATELY MOUNTED AQUIS 2.5 FOAM PUMP  
500 GPM MANIFOLD, LEFT HAND DISCHARGE OVER THE TOP OF PUMP  
WITH 71600-8A PUMP DISCHARGE FITTING**

AVAILABLE ON IRON PUMPS WITH 4° ANGLE COMPENSATED BODIES ONLY

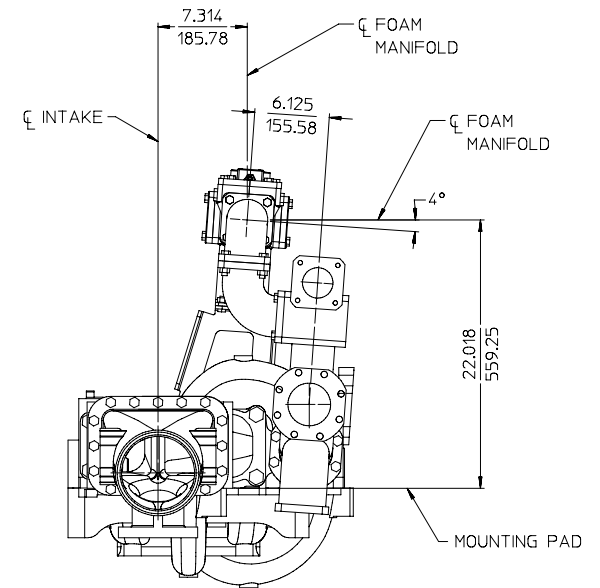
FOAM MANAGER WITH AQUIS 2.5  
DPL83079  
WATEROUS COMPANY  
SOUTH ST. PAUL, MN 55075  
PAGE 26 OF 30



- THE FOLLOWING ITEMS SHIPPED LOOSE:
1. INSTRUCTION PLATE. (SEE DETAIL A ON PAGE 28).
  2. OIT CONTROL MODULE (SEE DETAIL B ON PAGE 28).
  3. INLET LINE STRAINER WITH NIPPLE (SEE DETAIL C ON PAGE 28).
  4. AQUIS FOAM PUMP (SEE DETAIL D ON PAGE 28)
  5. CHECK VALVE (SEE DETAIL E ON PAGE 28)
  6. FOAM INJECTION HOSE KIT (SEE DETAIL F ON PAGE 28)
  7. OPTIONAL ACCESSORIES (SEE PAGE 29).

NOTE:  
REAR INTAKE ADAPTER NOT AVAILABLE ON RIGHT SIDE.

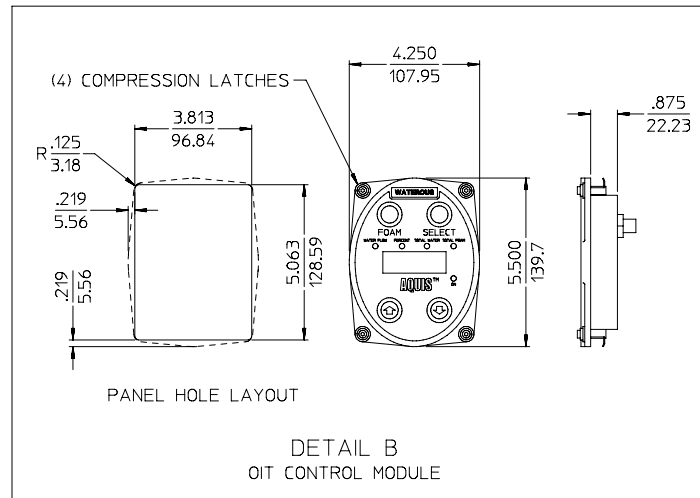
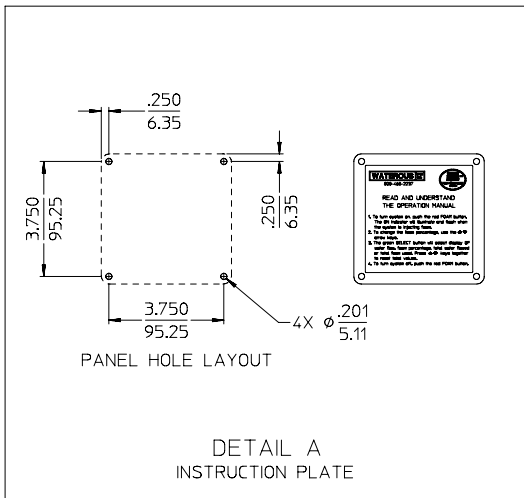
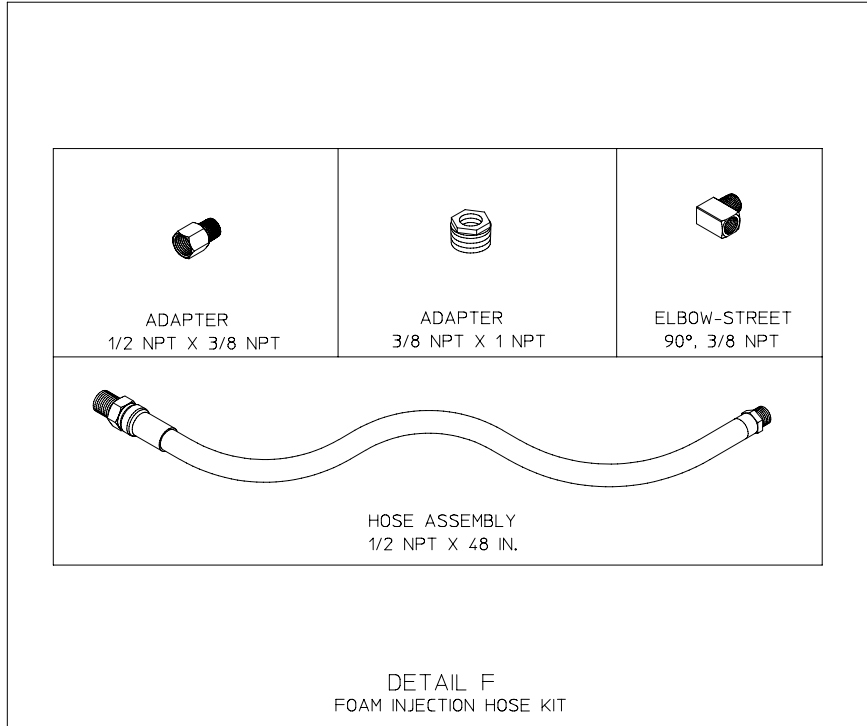
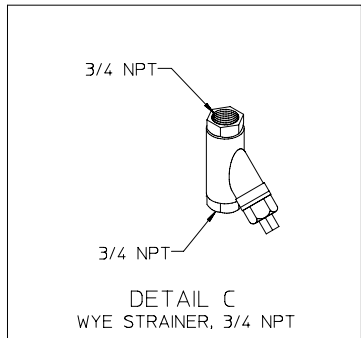
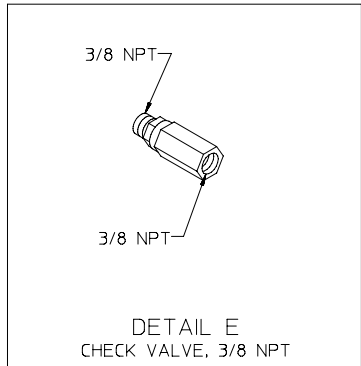
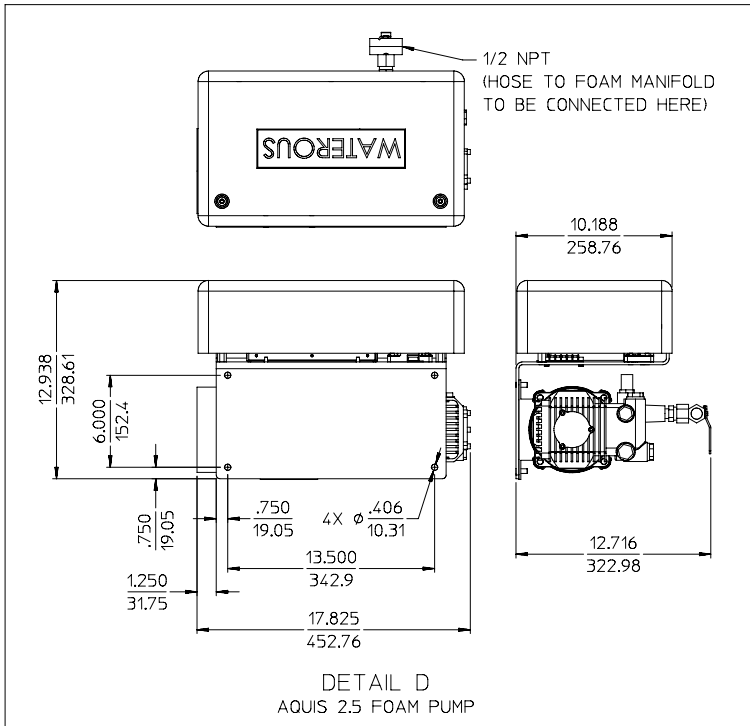
ALL DIMENSIONS SHOWN  
AS INCH/MILLIMETER  
( $\frac{\text{INCH}}{\text{MILLIMETER}}$ )



**SEPARATELY MOUNTED AQUIS 2.5 FOAM PUMP  
500 GPM MANIFOLD, LEFT HAND DISCHARGE OVER THE TOP OF PUMP  
WITH 81388-7A PUMP DISCHARGE FITTING**

AVAILABLE ON IRON PUMPS WITH 4° ANGLE COMPENSATED BODIES ONLY

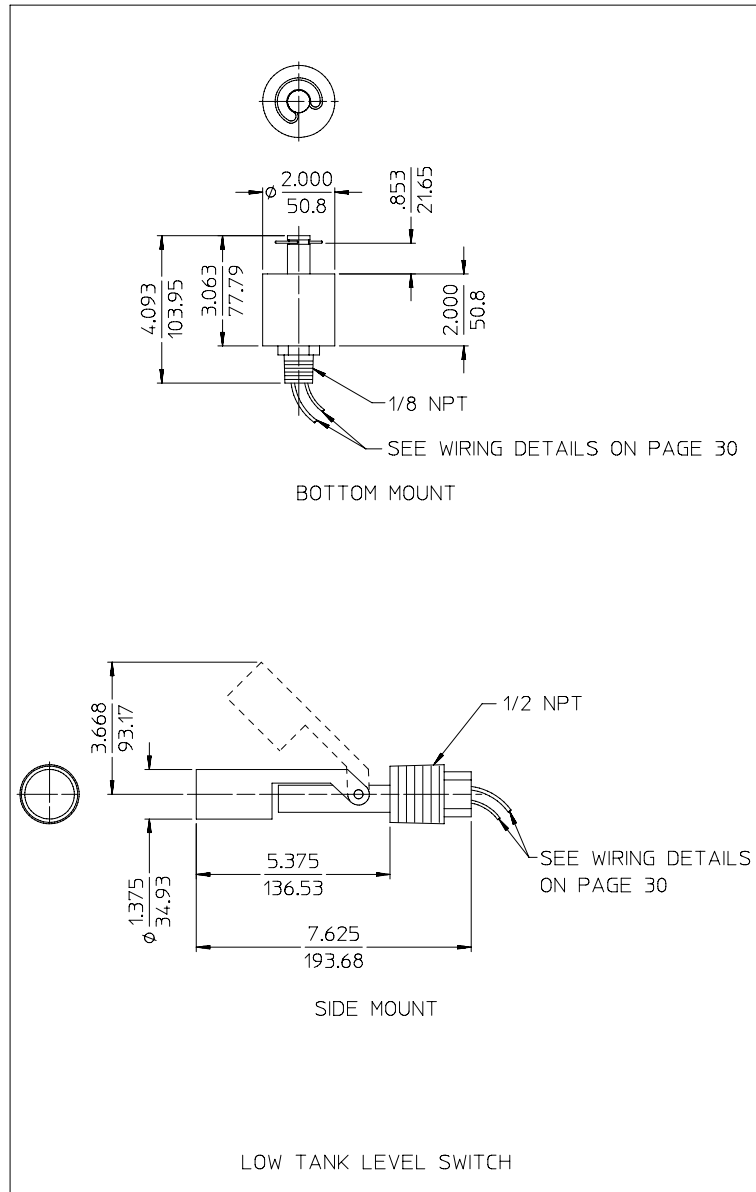
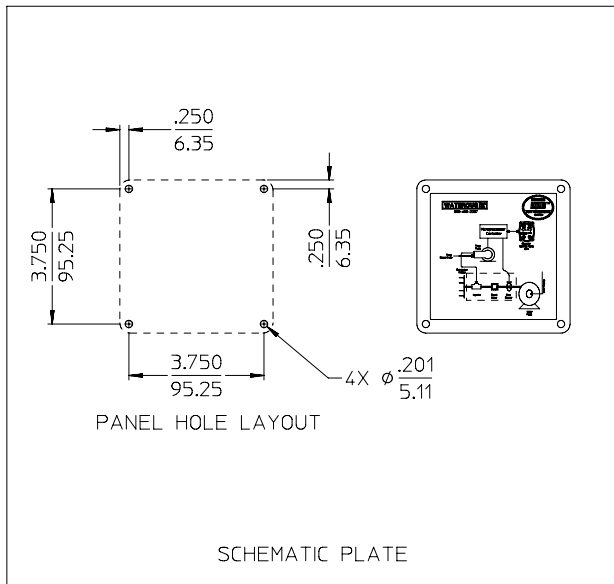
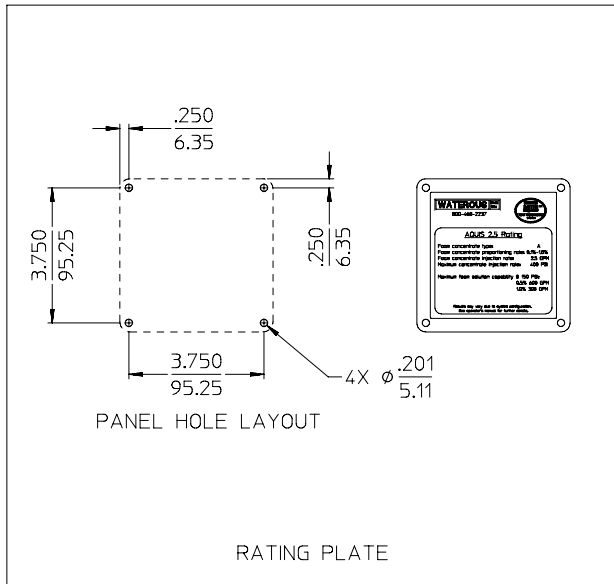
FOAM MANAGER WITH AQUIS 2.5  
DPL83079  
WATEROUS COMPANY  
SOUTH ST. PAUL, MN 55075  
PAGE 27 OF 30



ALL DIMENSIONS SHOWN  
AS INCH/MILLIMETER  
( INCH )  
( MILLIMETER )

**ITEMS SHIPPED LOOSE**  
FOR PUMPS WHERE FOAM PUMP IS SEPARATELY MOUNTED

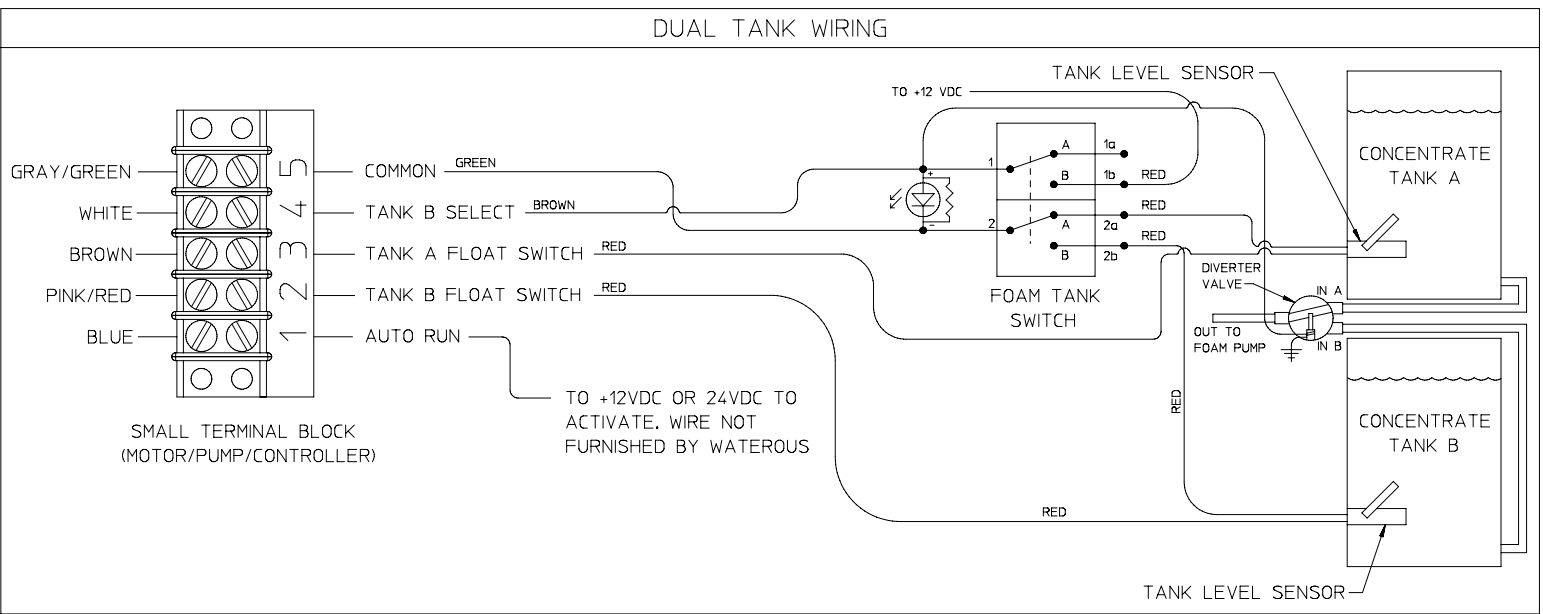
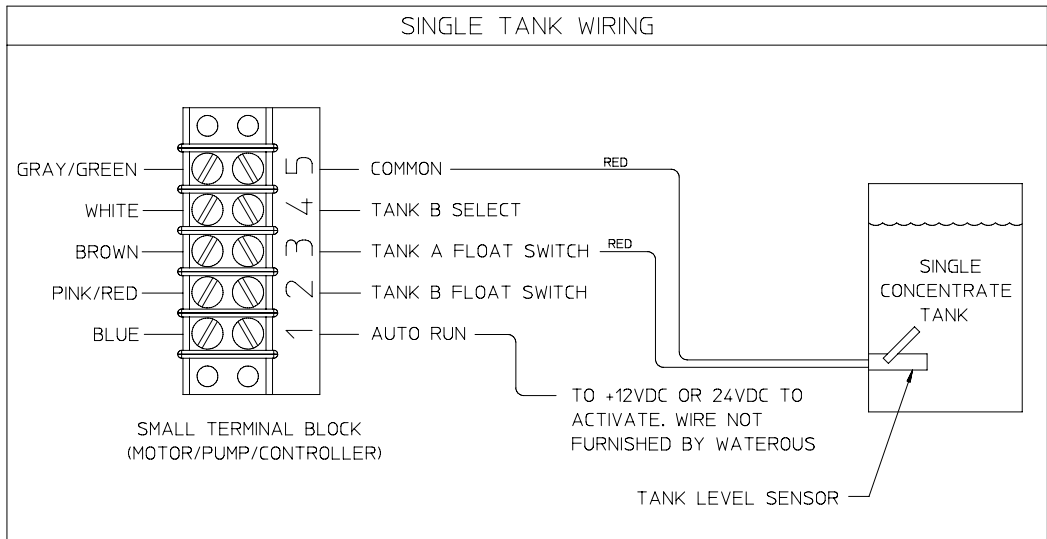
FOAM MANAGER WITH AQUIS 2.5  
DPL83079  
WATEROUS COMPANY  
SOUTH ST. PAUL, MN 55075  
PAGE 28 OF 30



**OPTIONAL ACCESSORIES**

ALL DIMENSIONS SHOWN  
AS INCH/MILLIMETER  
(  $\frac{\text{INCH}}{\text{MILLIMETER}}$  )

FOAM MANAGER WITH AQUIS 2.5  
DPL83079  
WATEROUS COMPANY  
SOUTH ST. PAUL, MN 55075  
PAGE 29 OF 30



**TANK LEVEL SWITCH WIRING**