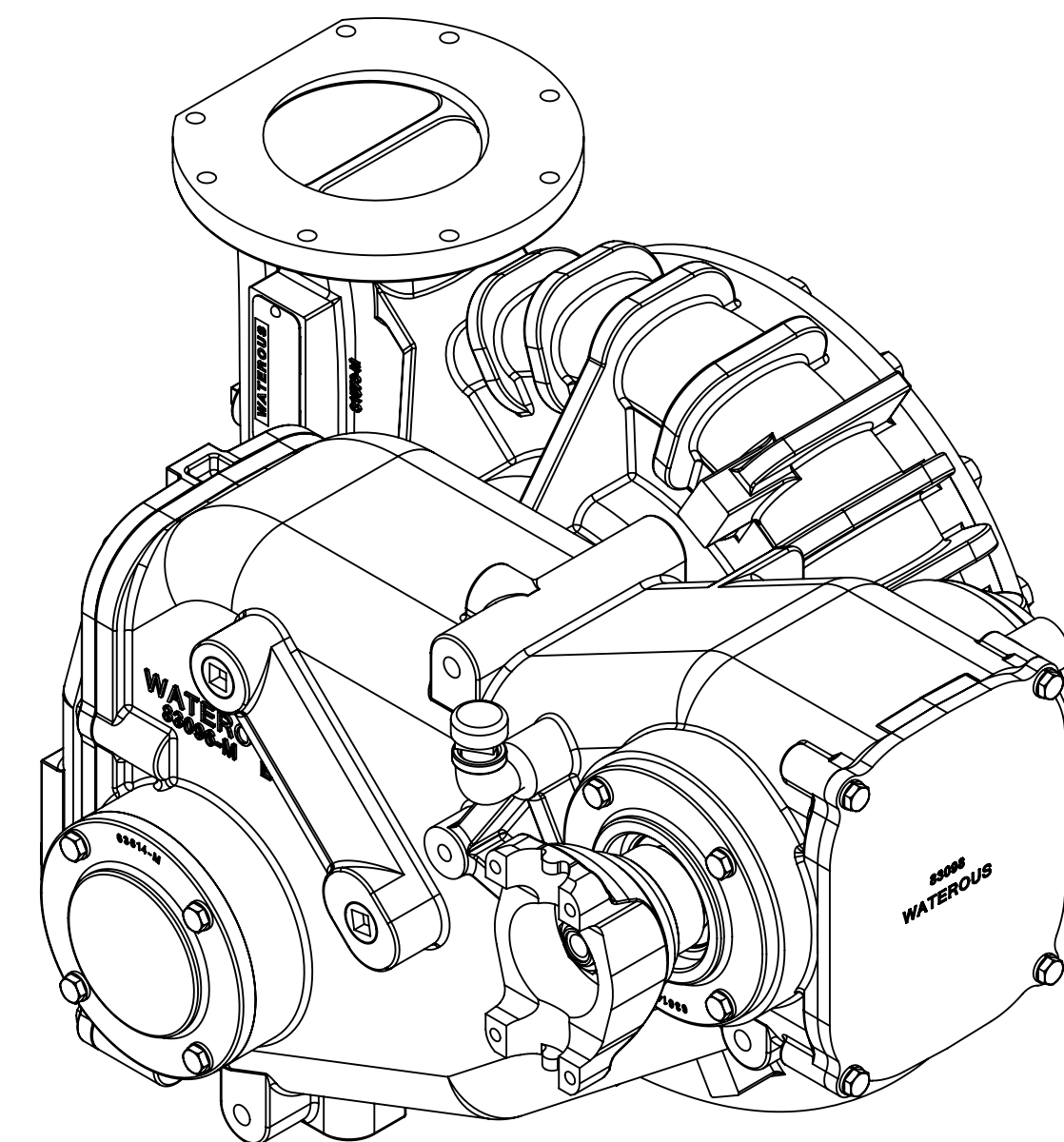
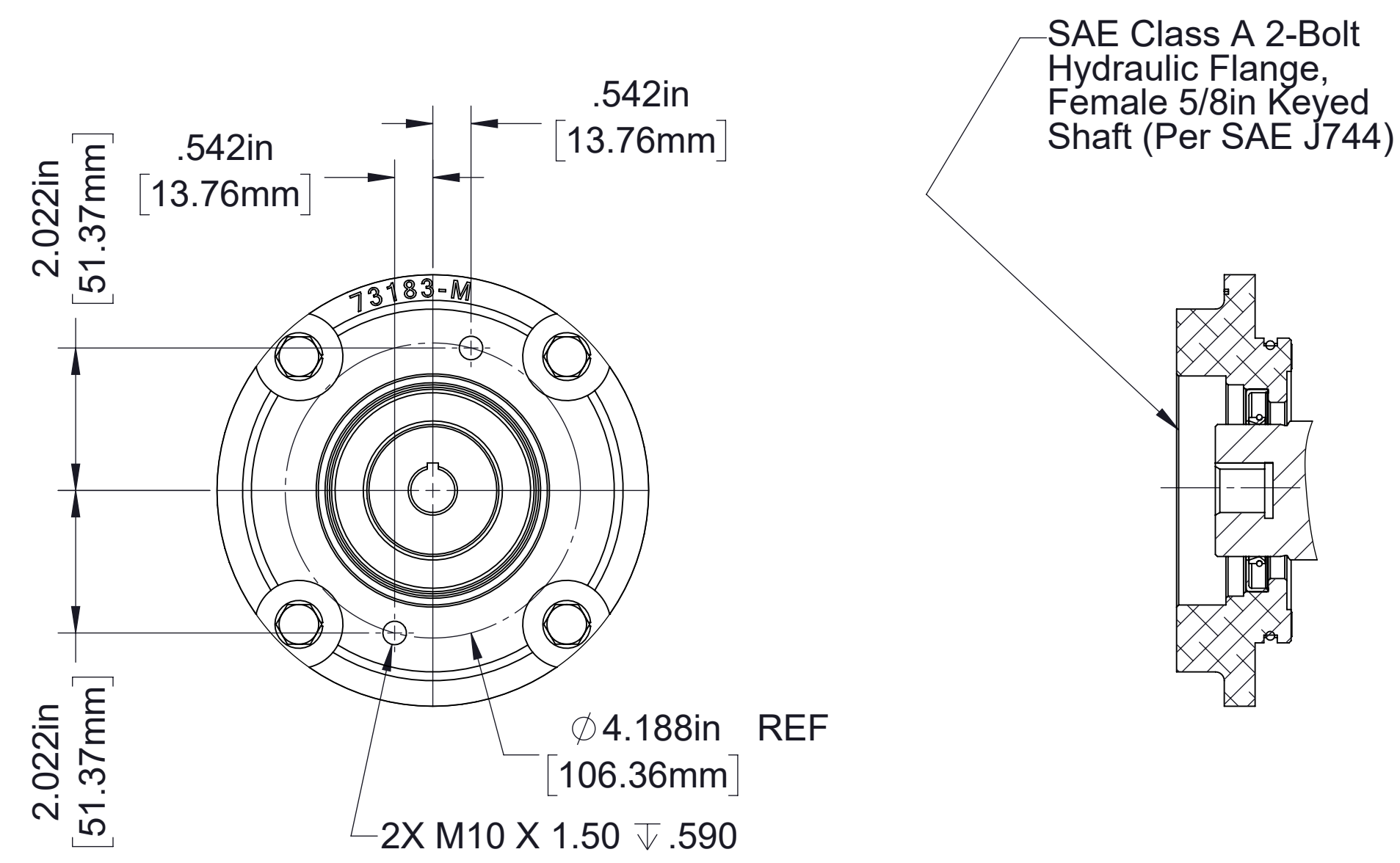


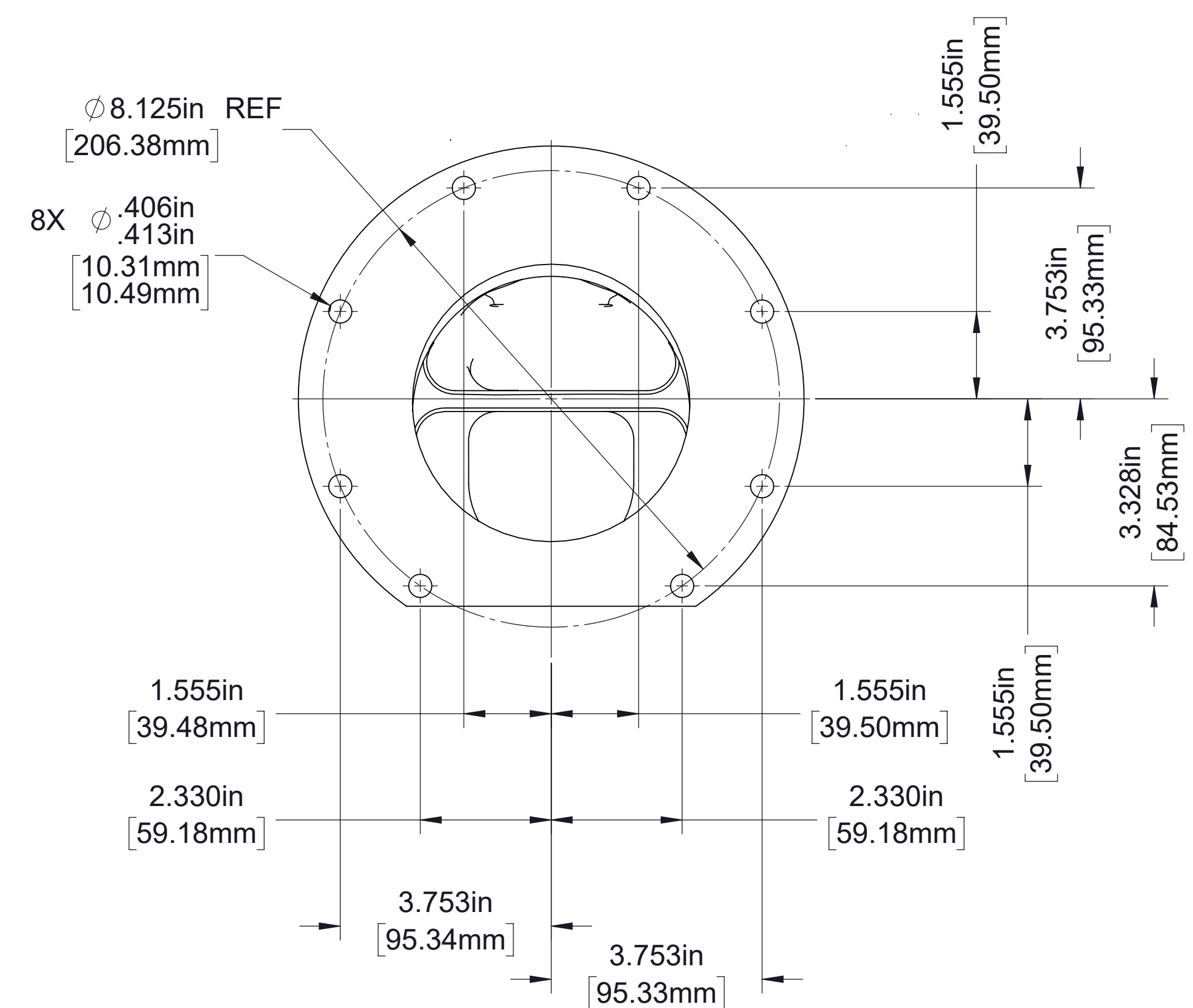
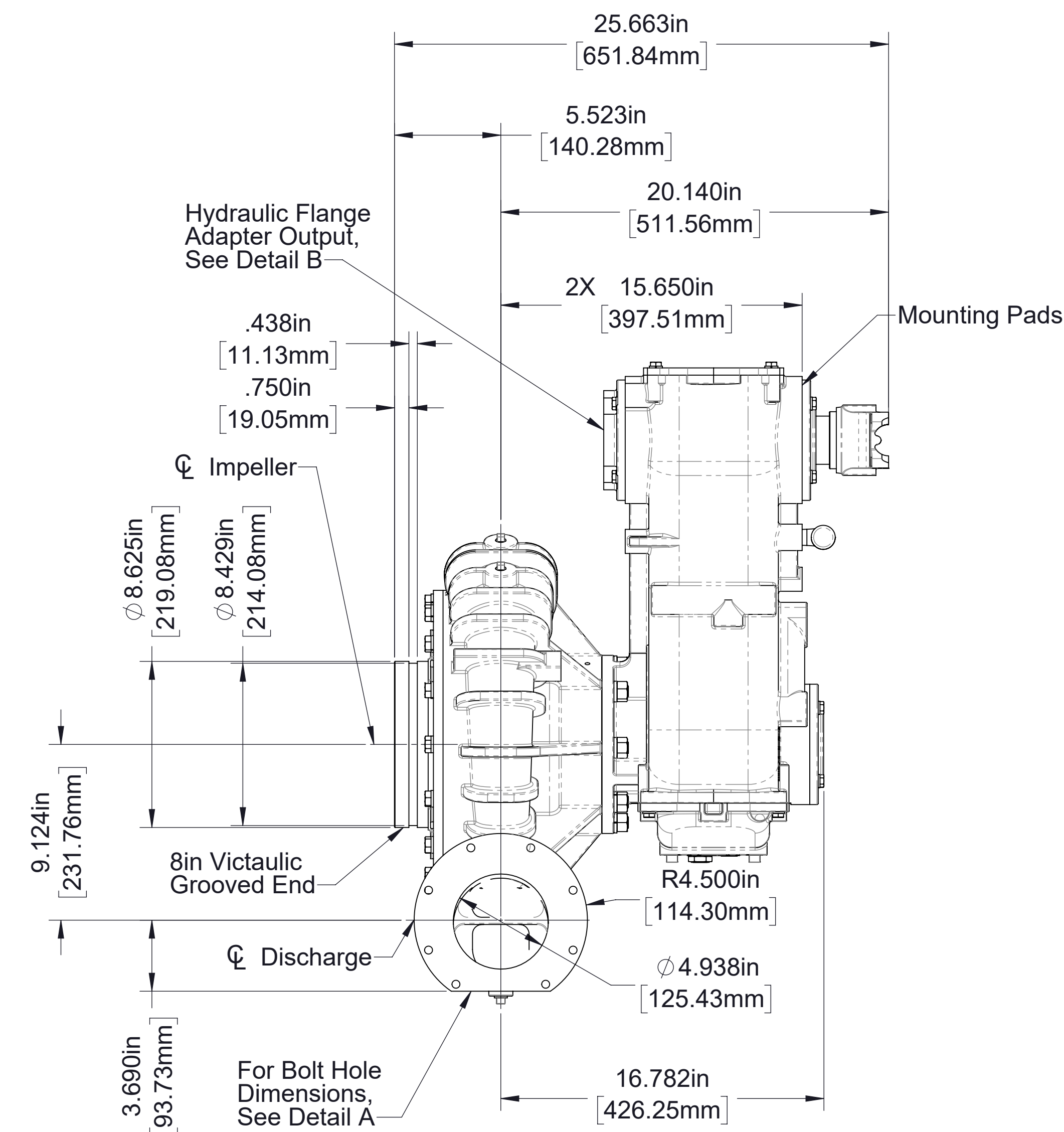
## Dimensional Drawing for CRQB Series Fire Pump

Feature	Mounting			See Page
	Pump Discharge	Transmission	Angled at 11°	
Pump and Transmission	Up	Horizontal	No	2
			Yes	3
Hydraulic Flange Adapter Outlet				4
Optional Discharge Adapter				
Ordering Information				

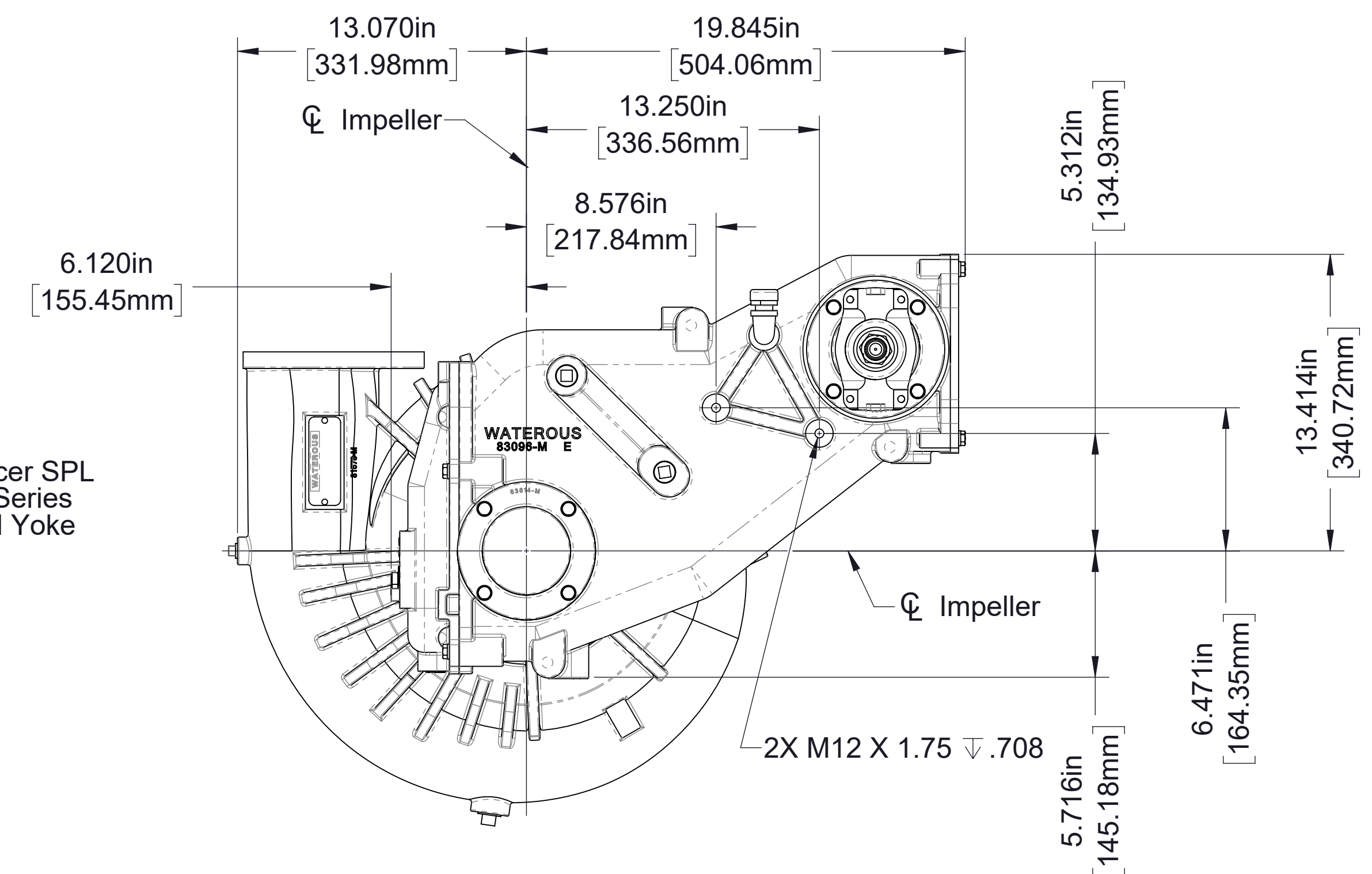
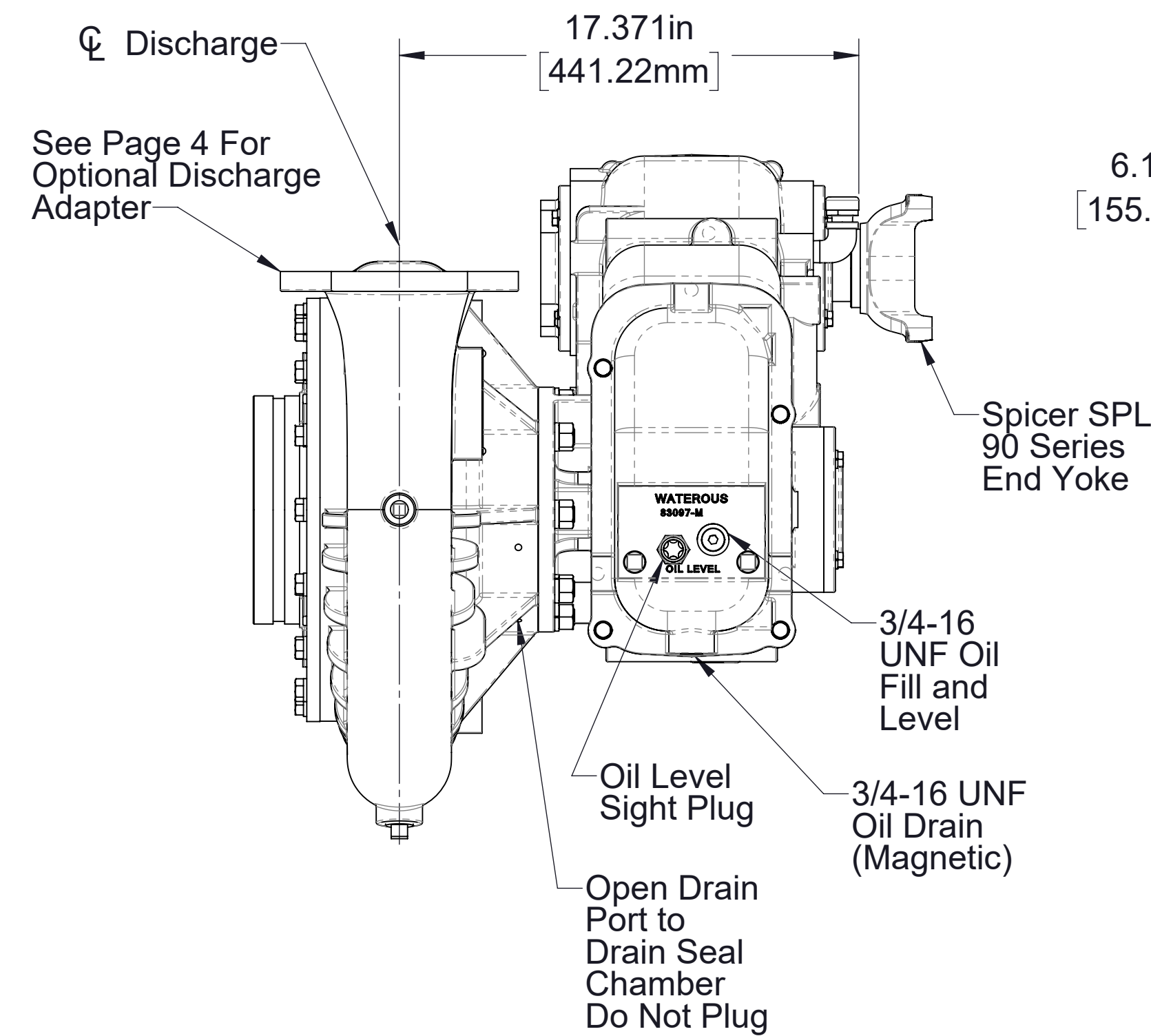
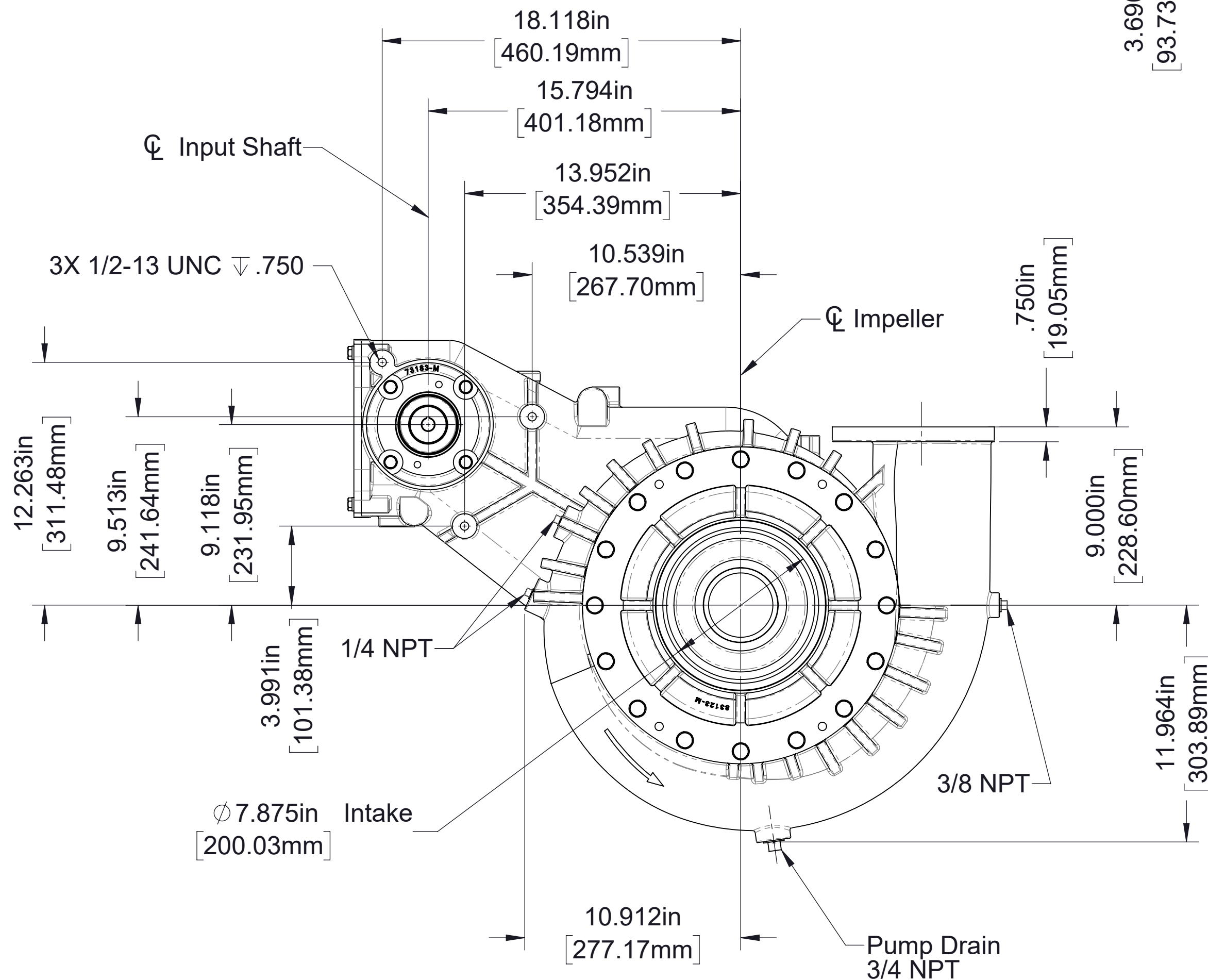




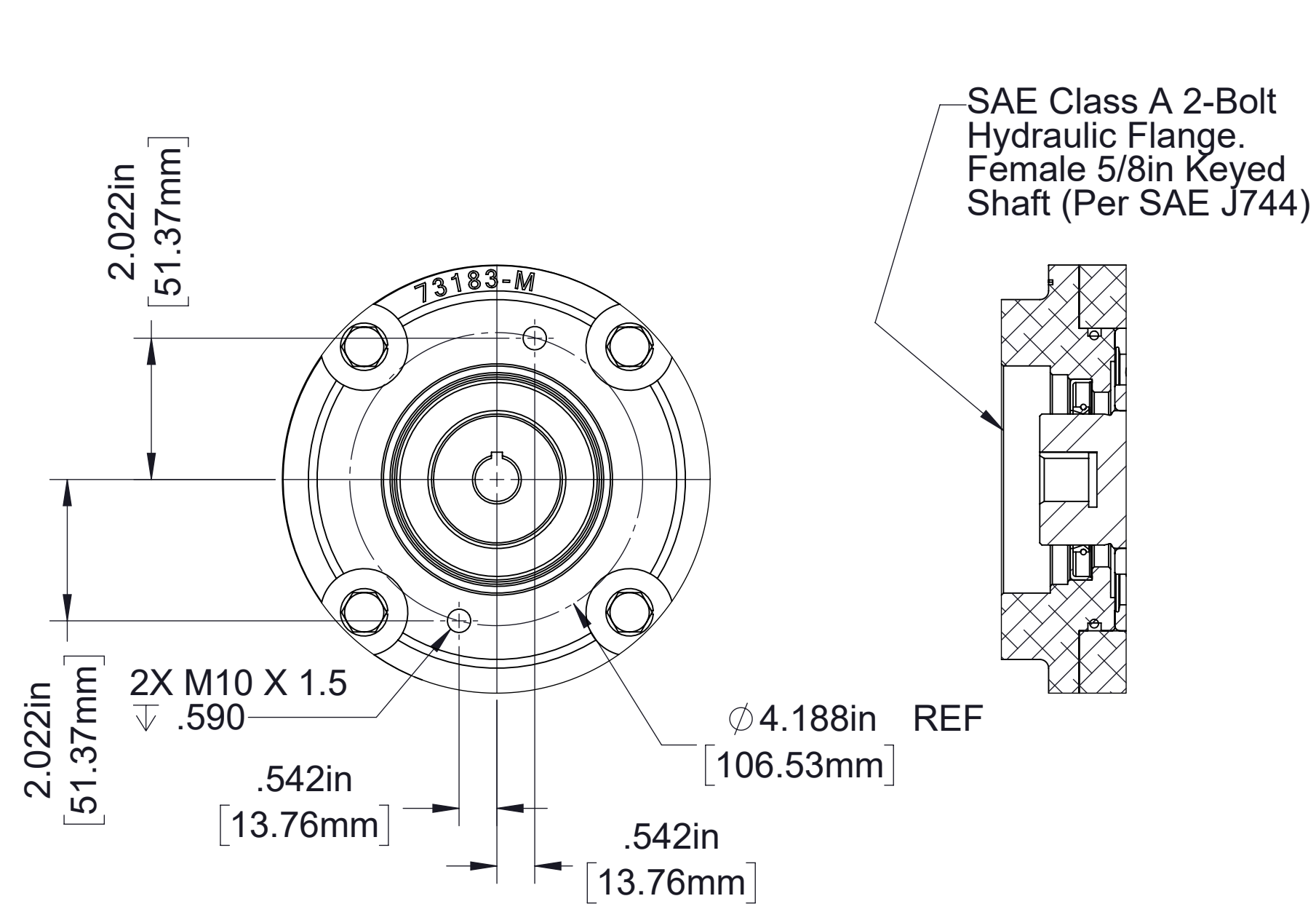
**Detail B**  
Hydraulic Flange Adapter Output



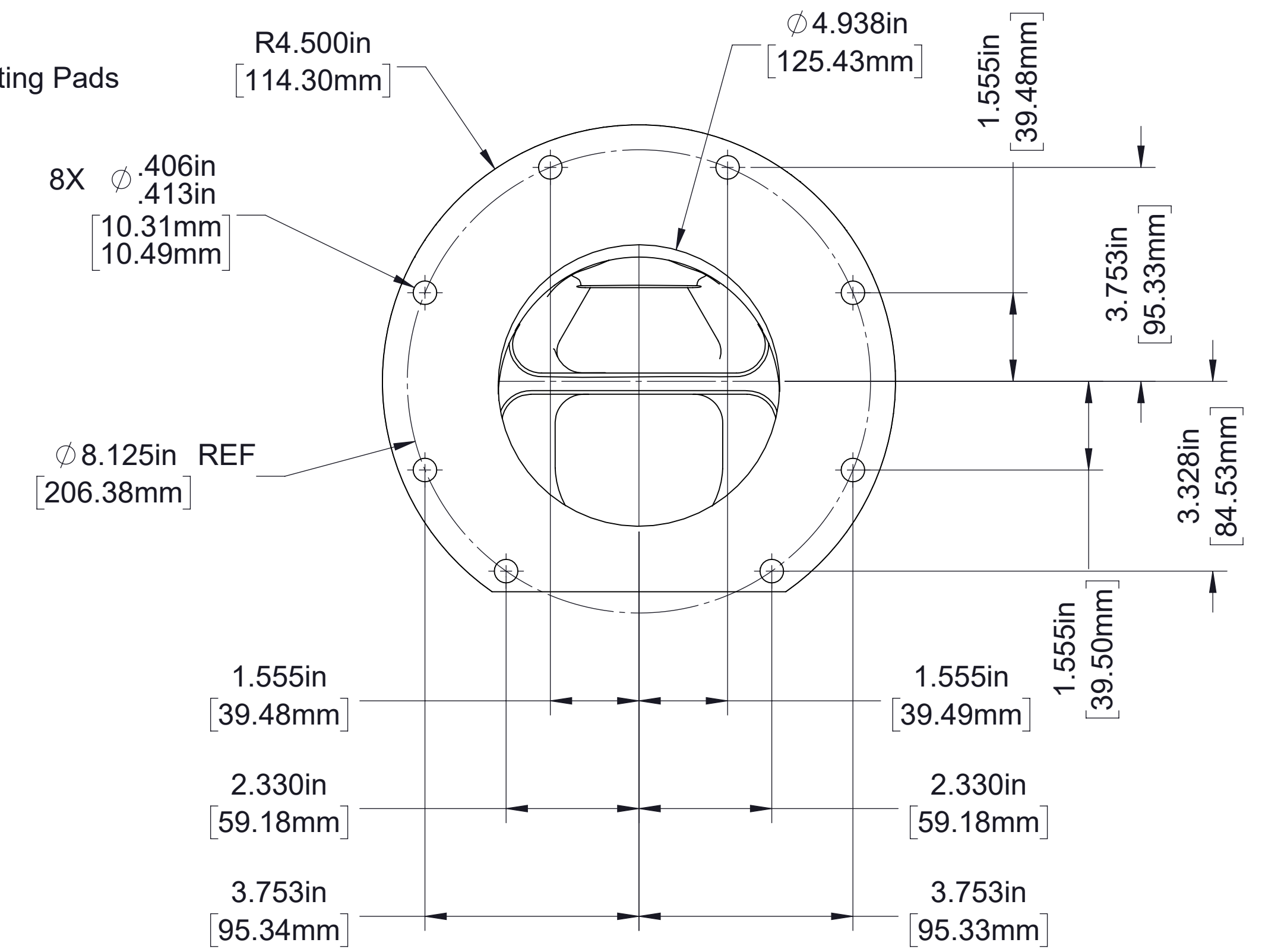
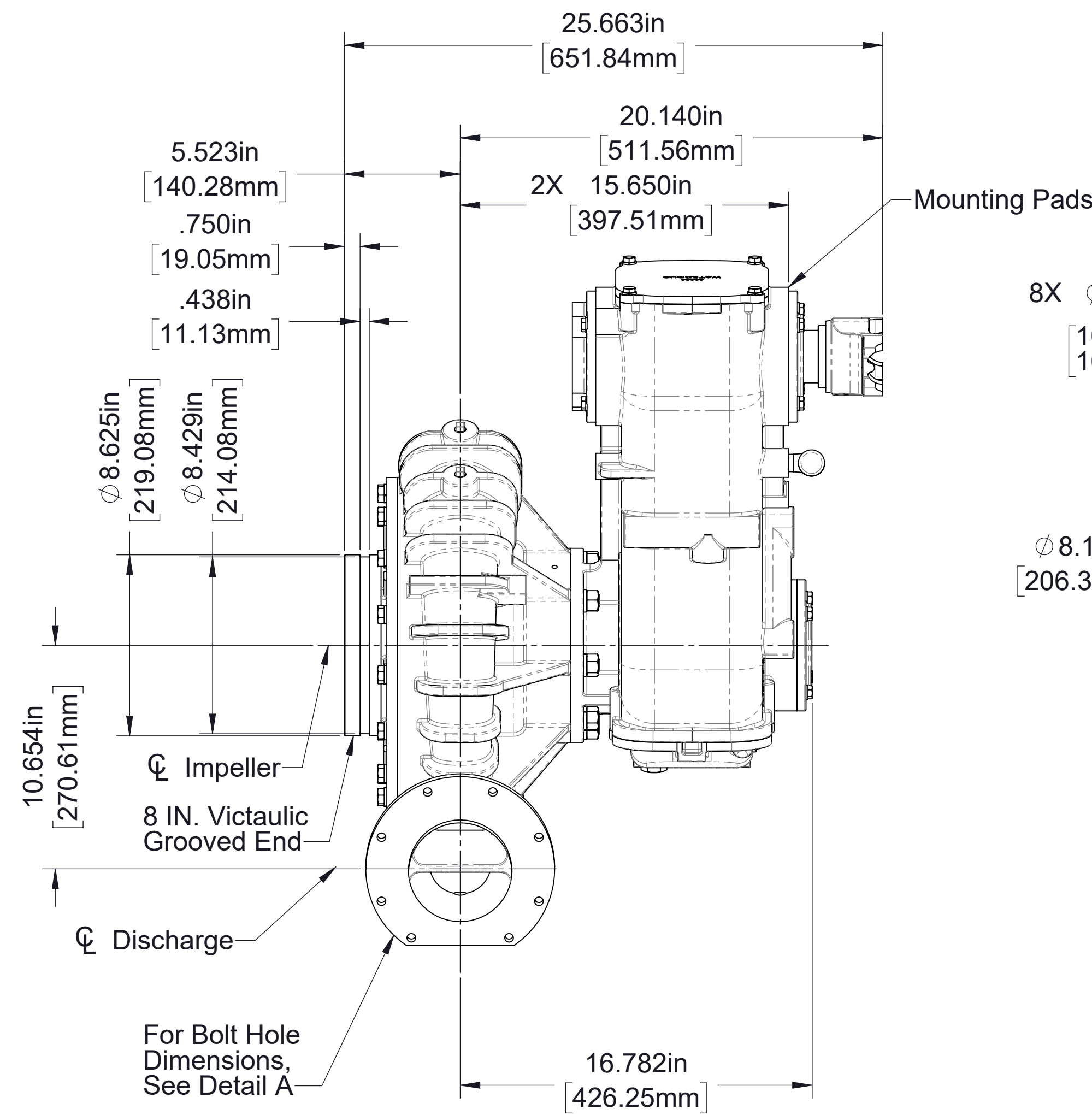
**Detail A**  
Discharge Flange  
(See Page 4 For Optional  
5in Victaulic Discharge Adapter)



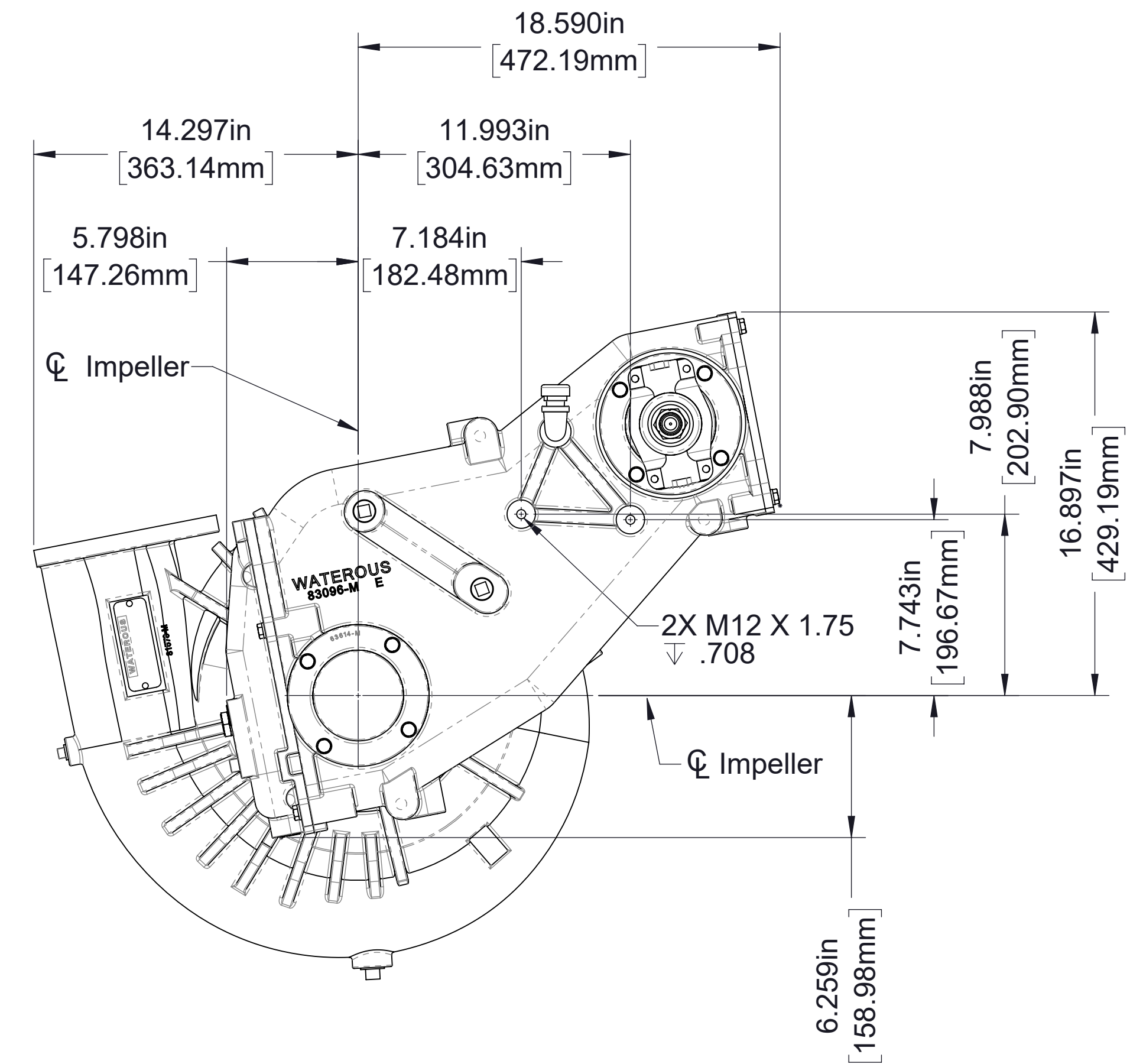
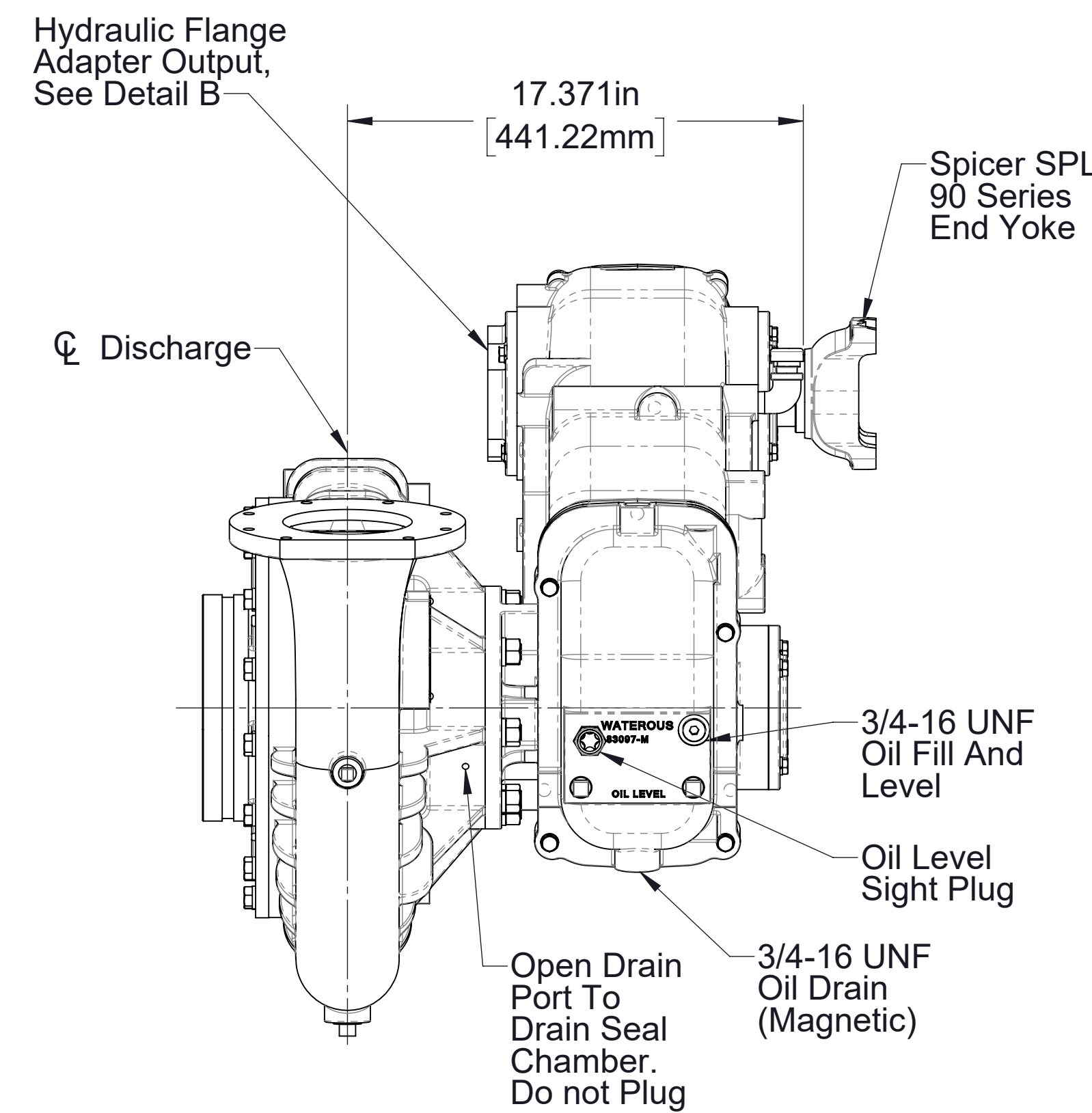
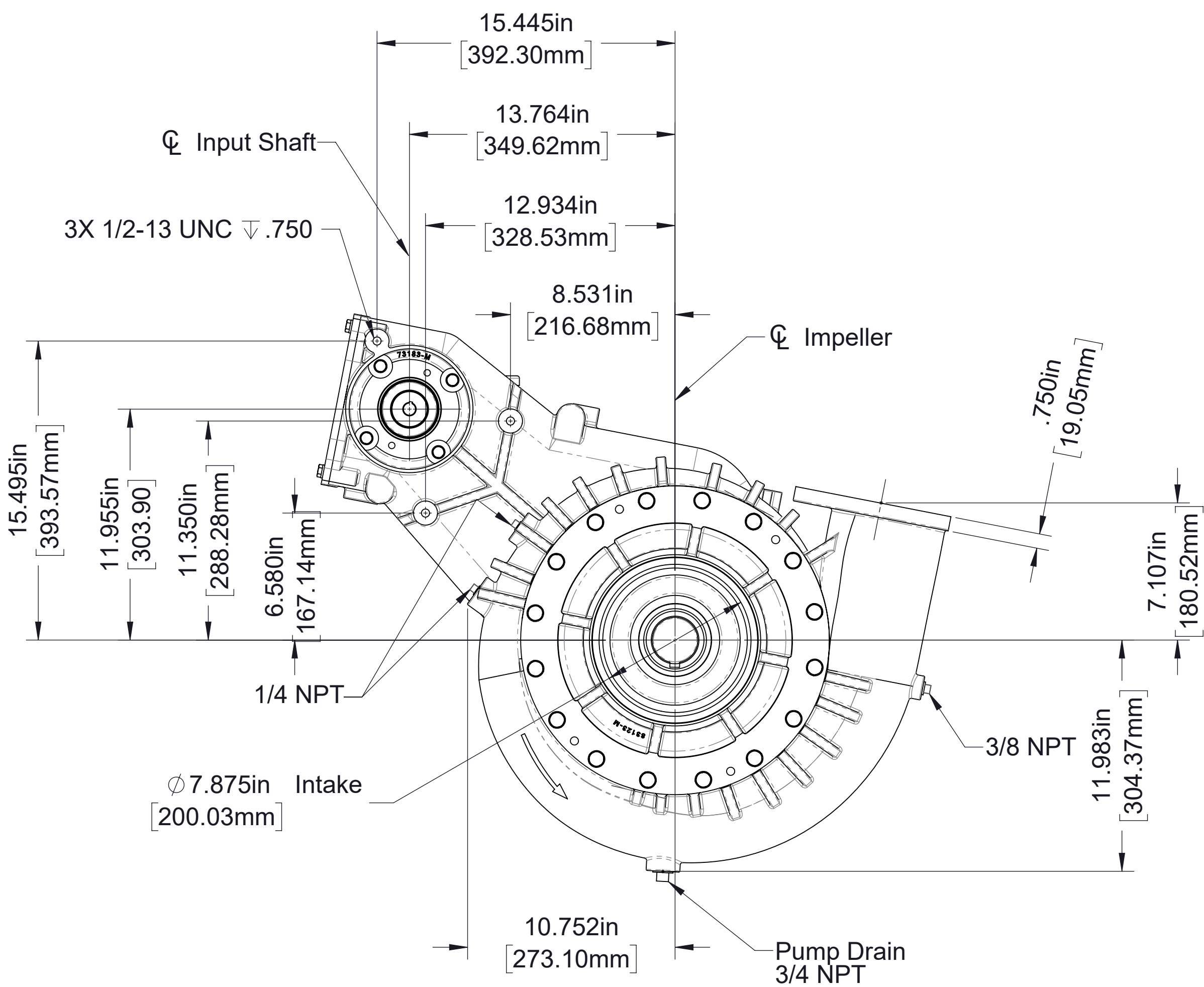
**Pump And Transmission**  
Pump Discharge Up  
Transmission Horizontal



**Detail B**  
Hydraulic Flange Adapter Output

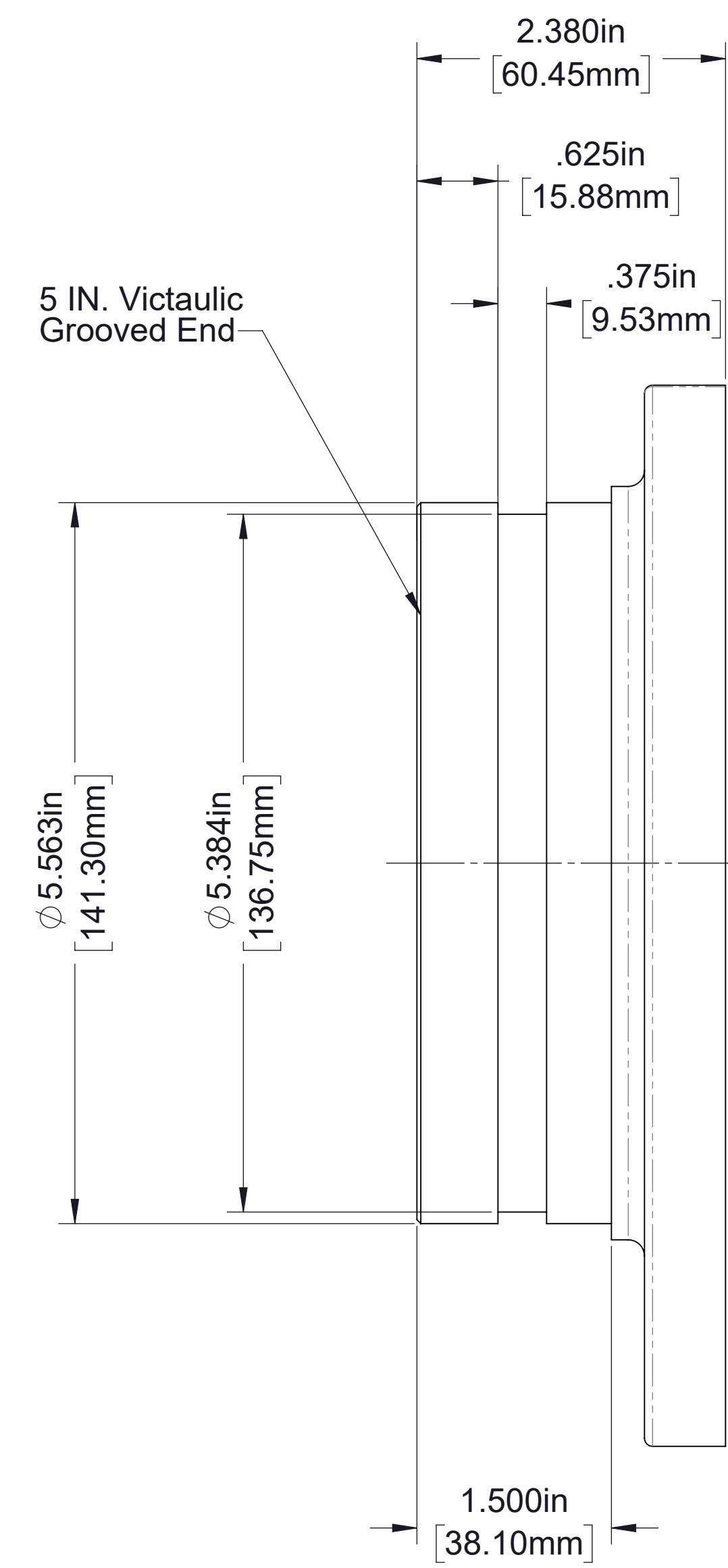
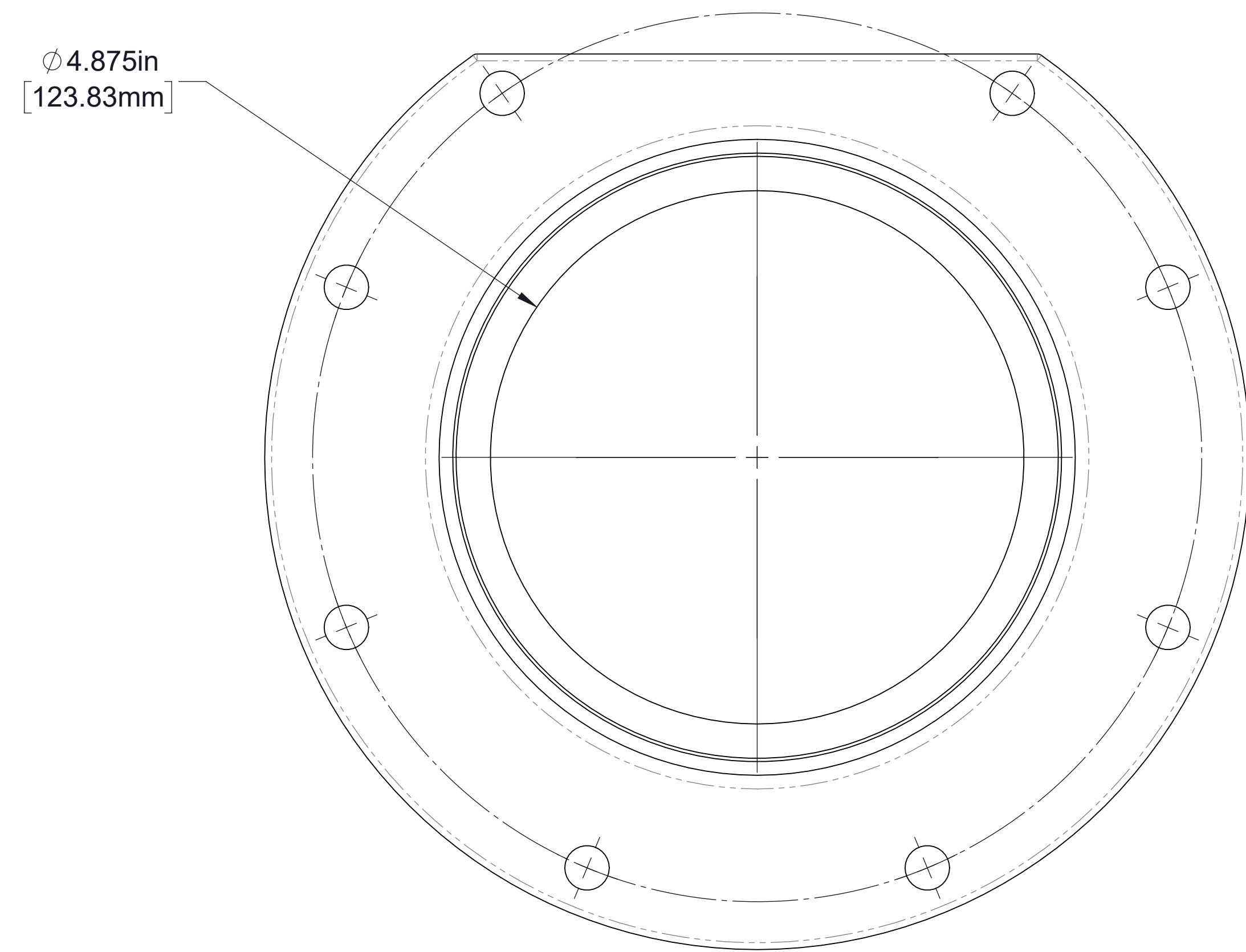


**Detail A**  
Discharge Flange  
(See Page 4 For Optional  
5in Victaulic Discharge Adapter)



**Pump And Transmission**

Pump Discharge Up  
Transmission Horizontal  
Both Angled 11° From Horizontal



**Optional 5in Victaulic Discharge Adapter**