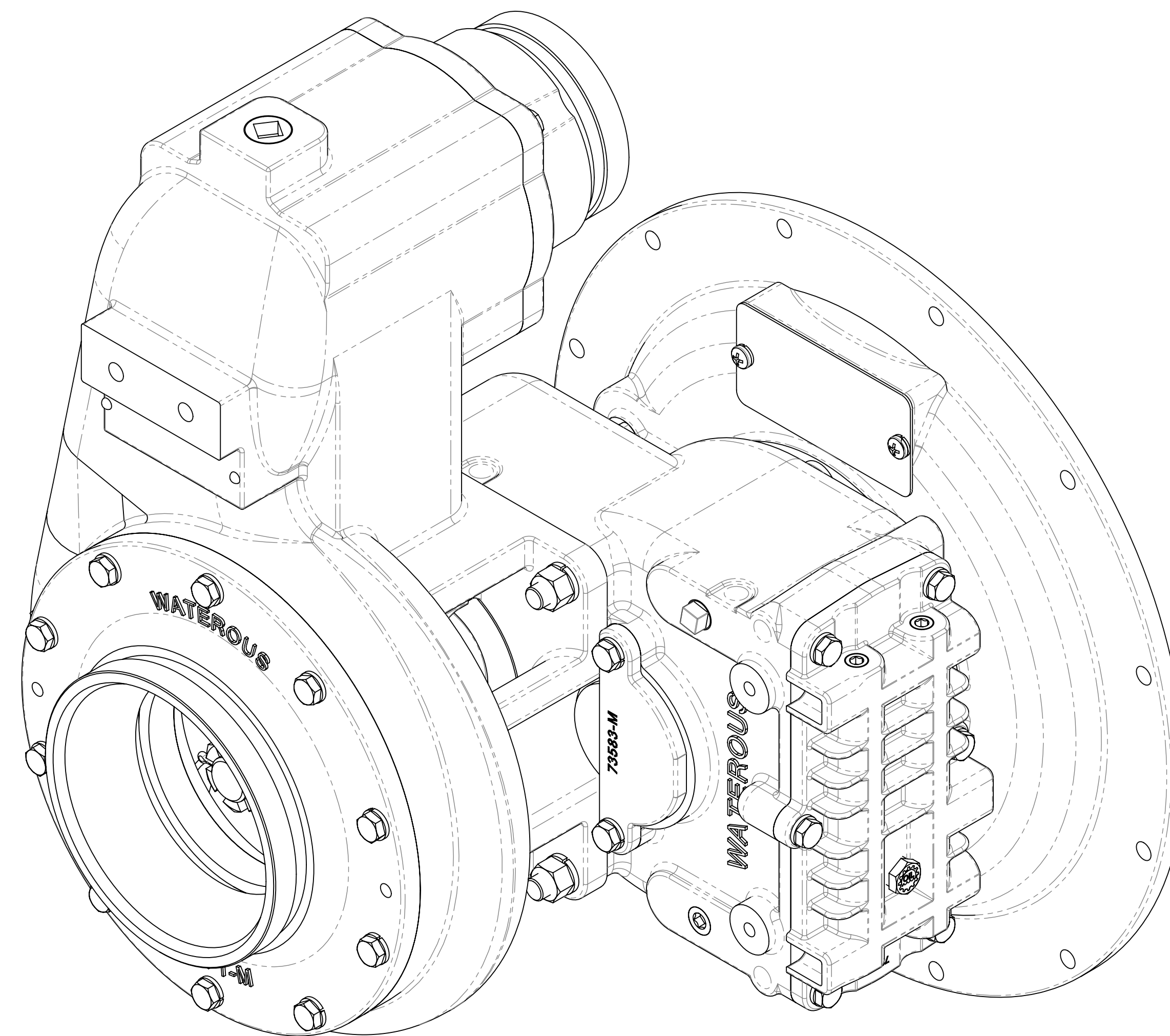
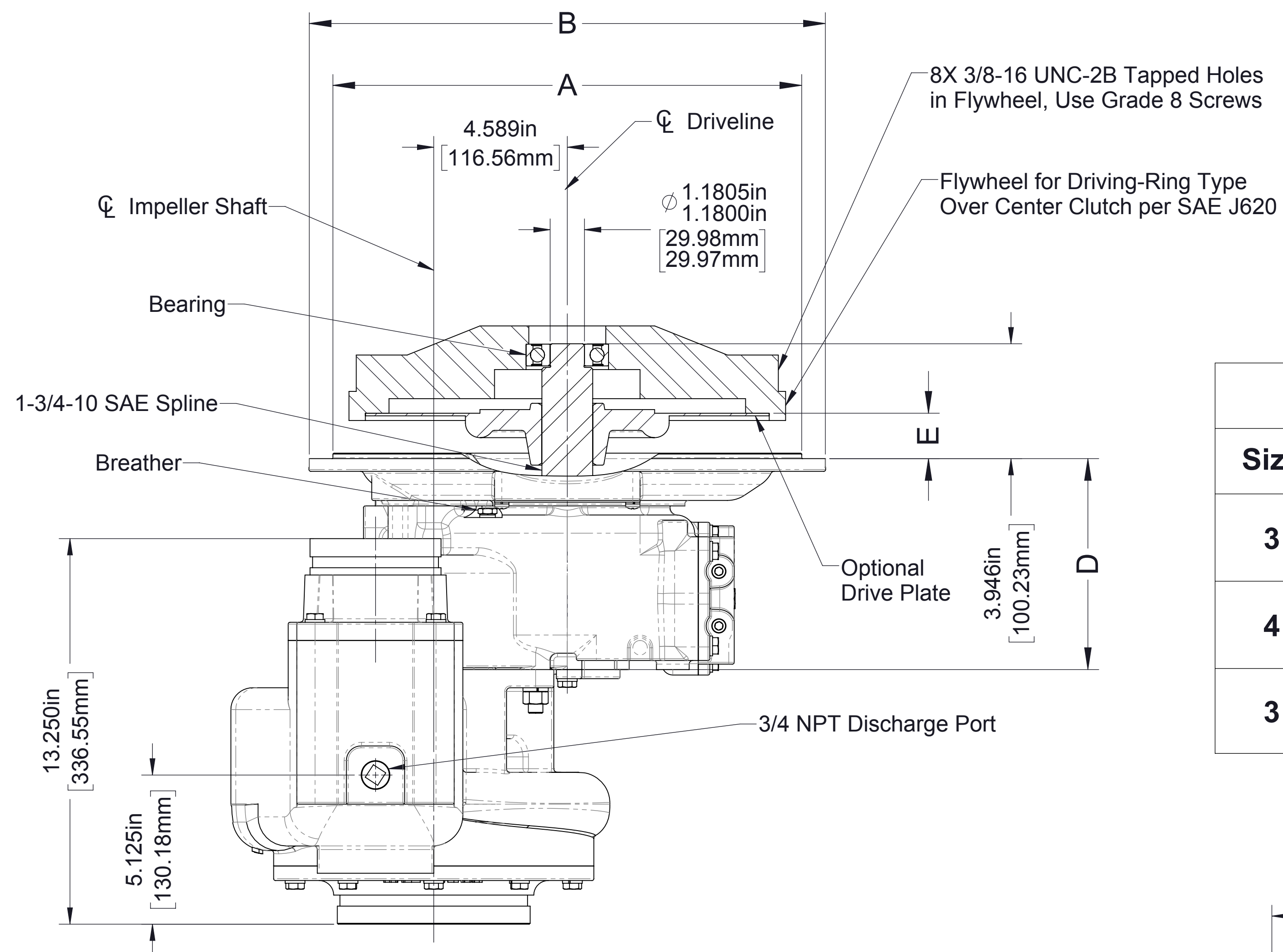
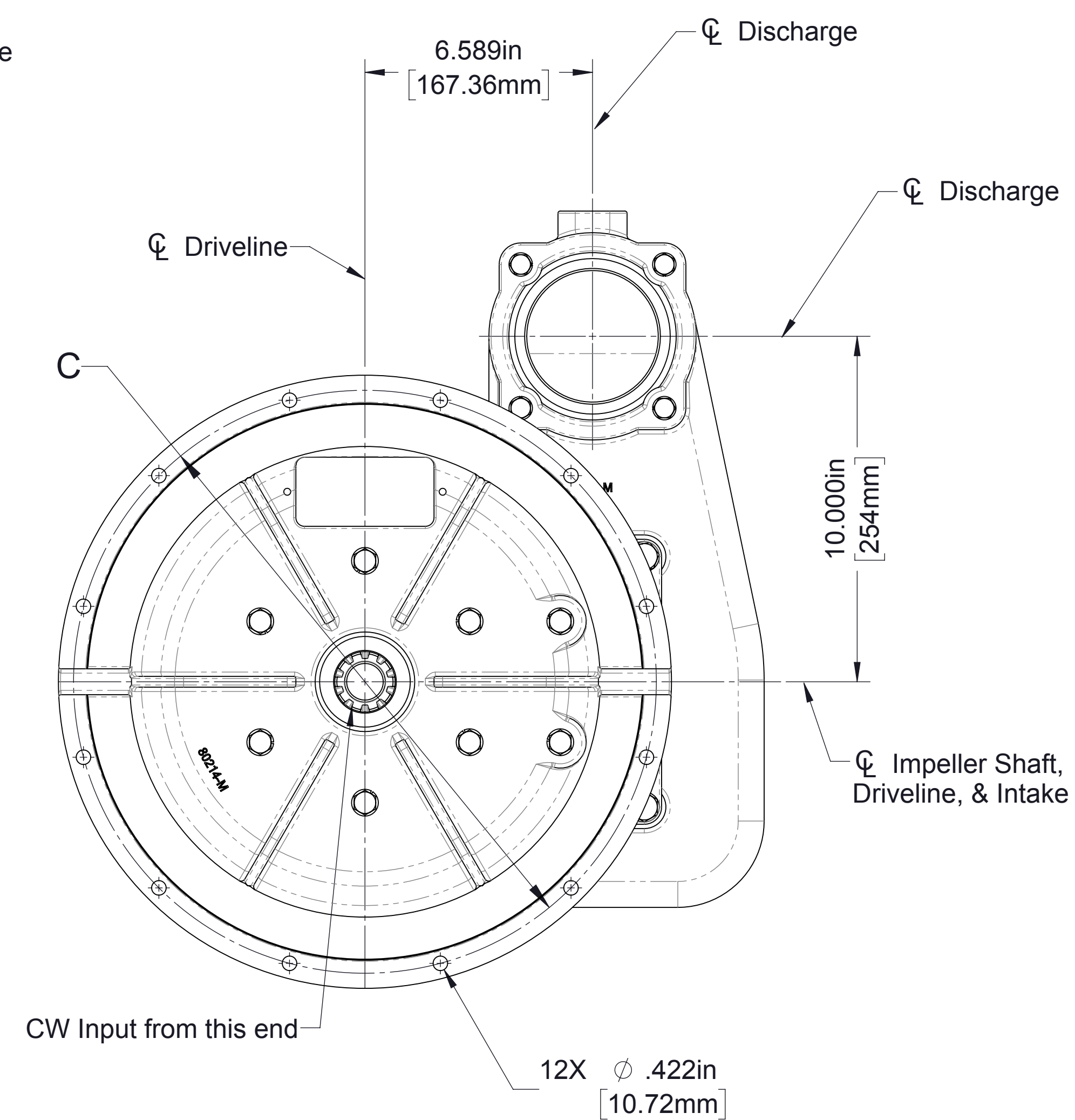
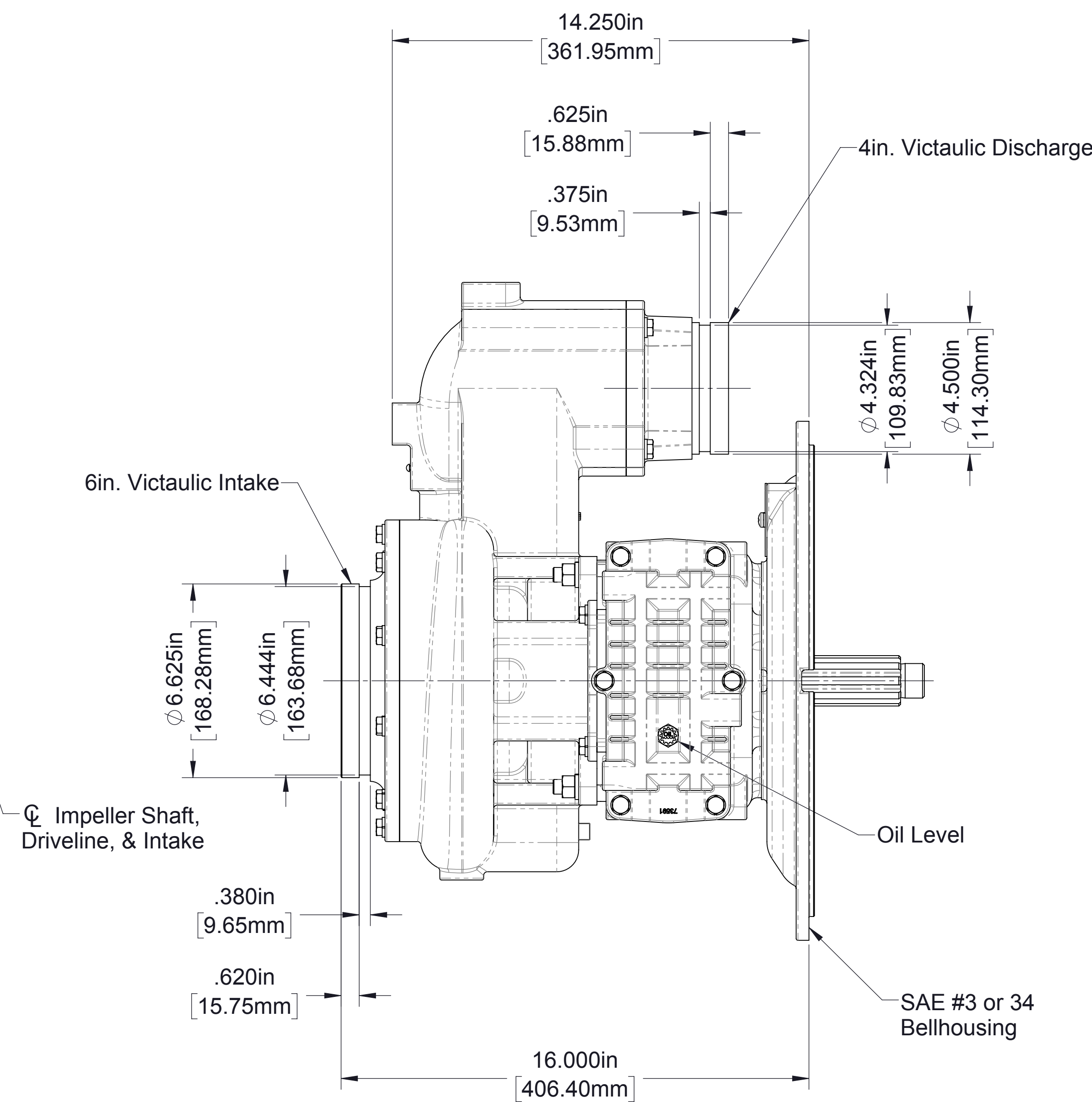
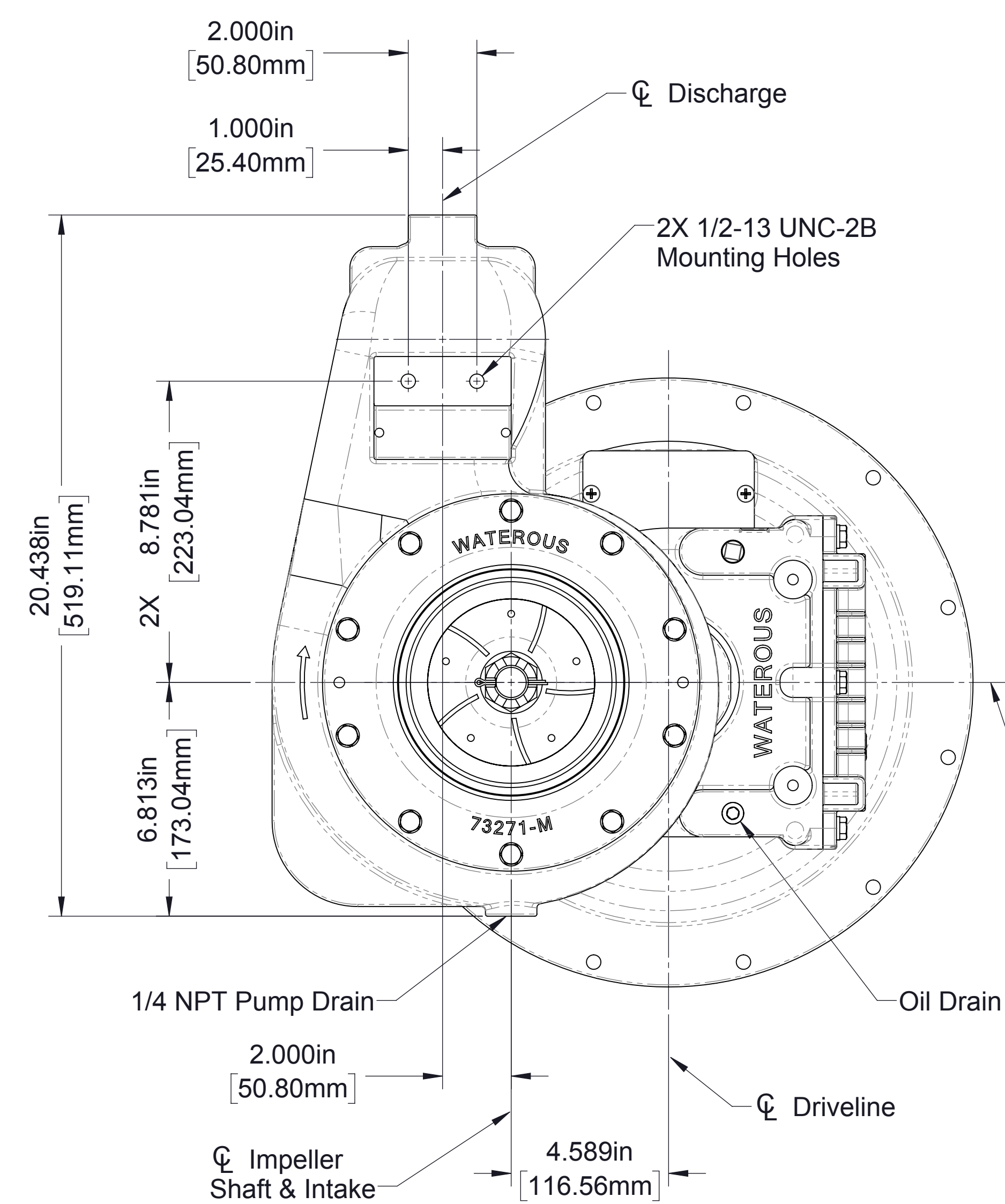


Dimensional Drawings for RF600T Self-Priming Pump





| SAE Bellhousing | | | | D | SAE Flywheel | | Drive Plate | |
|-----------------|----------------------|----------------------|----------------------|---------------------|--------------|-------------------|-------------|--------------------------|
| Size | A | B | C | | Clutch No. | E | Part No. | Torque Rating |
| 3 | 16.125in 409.58mm | 17.750in 450.85mm | 16.875in 428.63mm | 7.250in 184.15mm | 10 | 2.12in 53.85mm | V 2462 | 850 ft-lb 1153 Joules |
| 4 | 14.250in 361.95mm | 15.875in 403.23mm | 15.000in 381.00mm | | | | | |
| 3 | 16.125in 409.58mm | 17.750in 450.85mm | 16.875in 428.63mm | 7.250in 184.15mm | 11-1/2 | 1.56in 39.62mm | V 2463 | |



RF600T
Two-gear without hydraulic clutch, direct engine mount