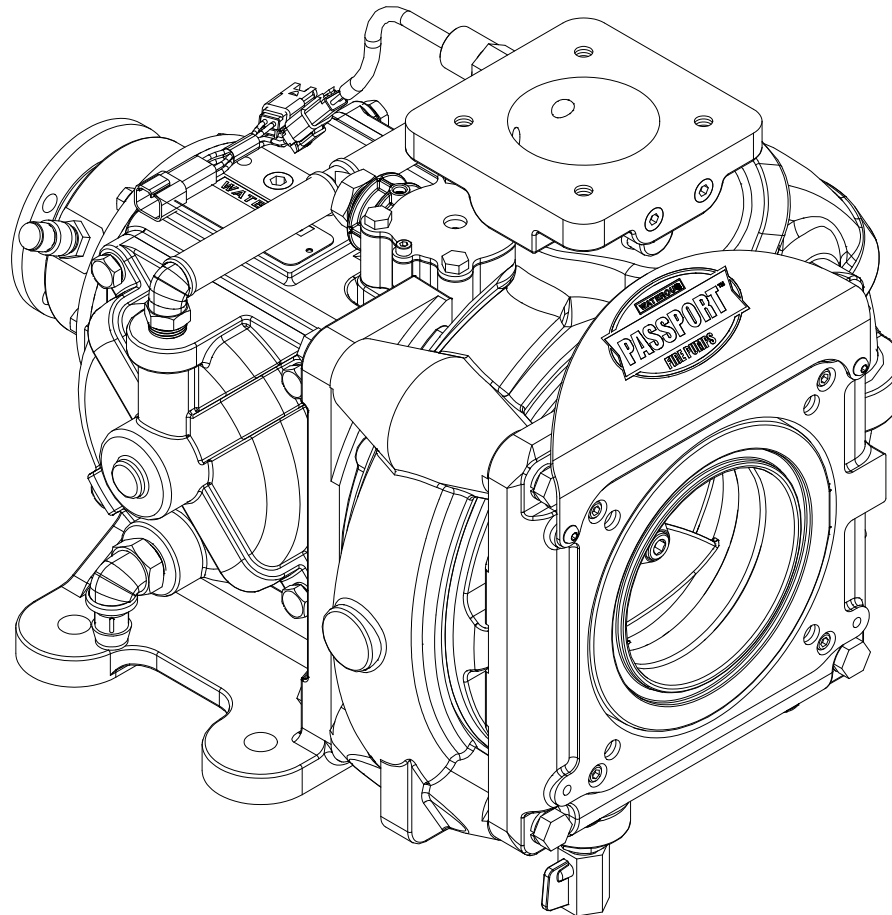
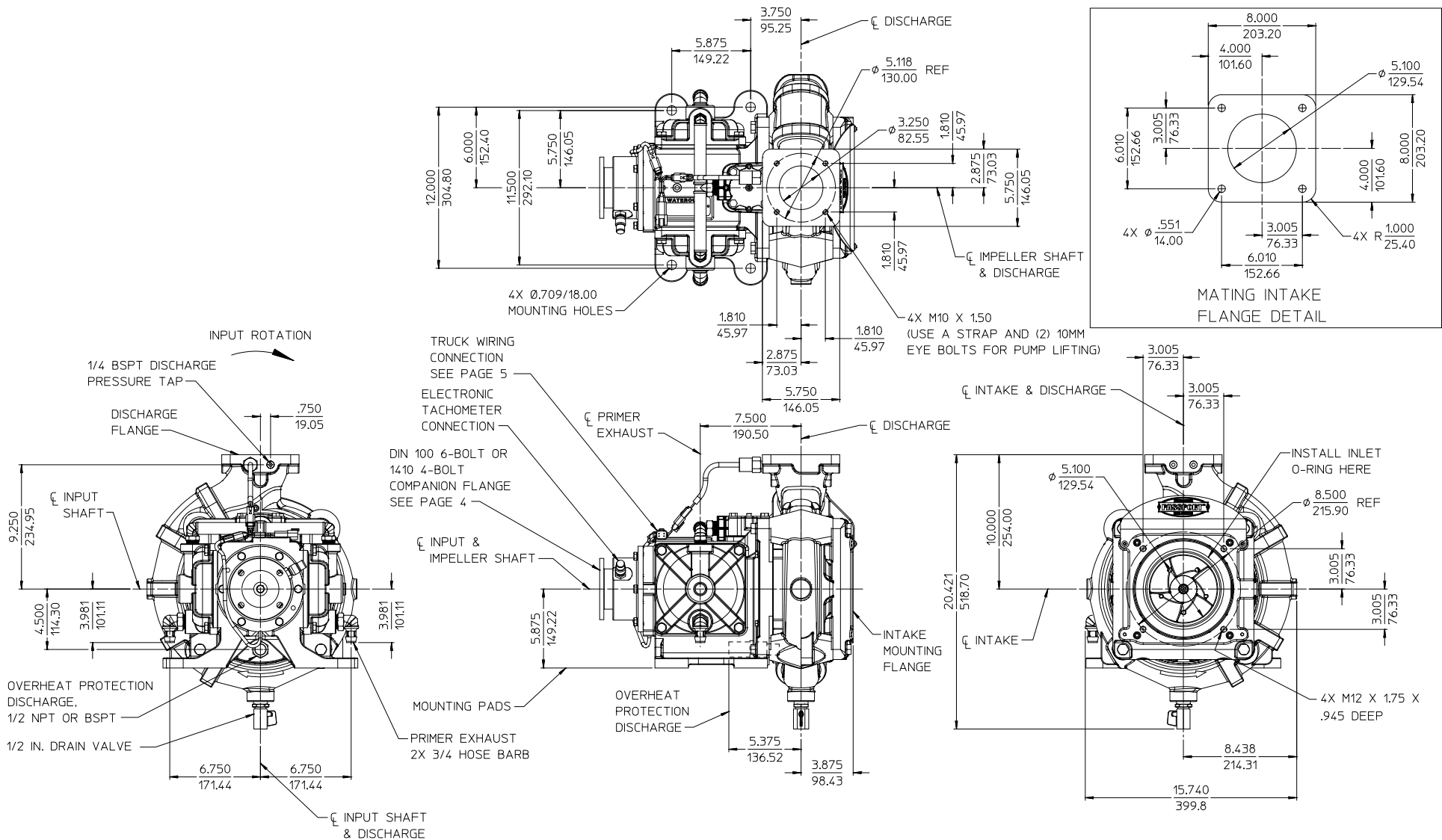




Document Number	Issue Date	Rev. Date
DPL83305	02/06/13	05/17/13

S200-P Passport™ Series Pump Dimensional Drawings

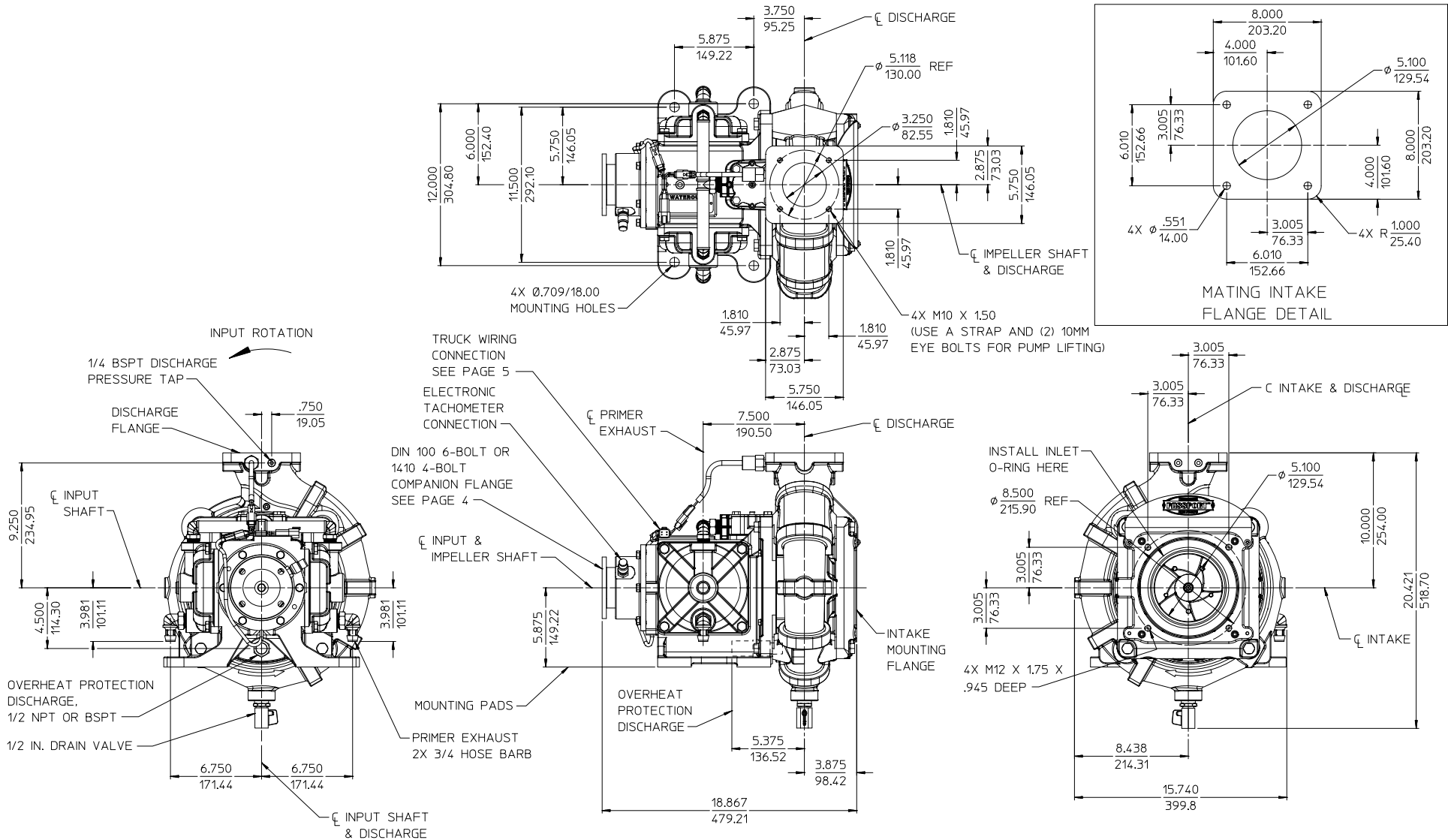




ALL DIMENSIONS SHOWN AS INCH/MILLIMETER

(INCH / MILLIMETER)

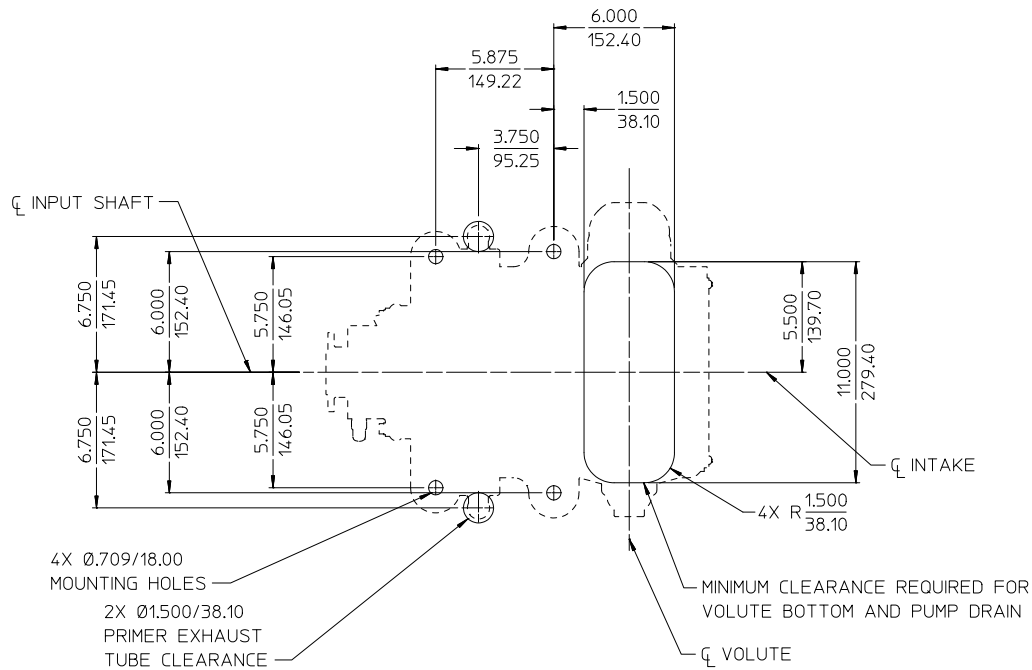
PUMP DIMENSIONS
CLOCKWISE INPUT ROTATION



ALL DIMENSIONS SHOWN AS INCH/MILLIMETER

(INCH / MILLIMETER)

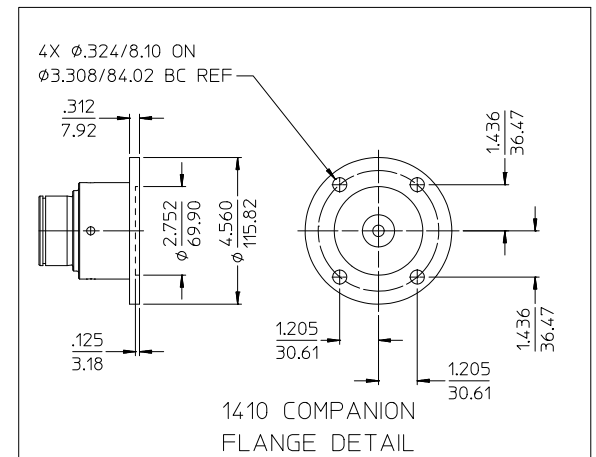
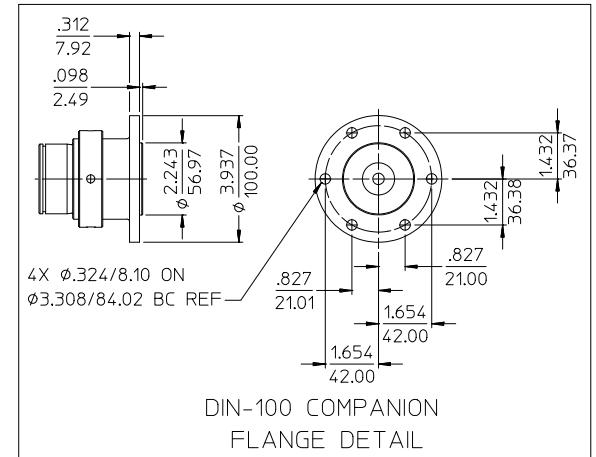
PUMP DIMENSIONS
COUNTER-CLOCKWISE INPUT ROTATION



PUMP MOUNTING HOLE LOCATIONS AND CLEARANCE REQUIREMENTS

ALL DIMENSIONS SHOWN AS INCH/MILLIMETER

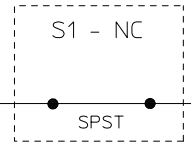
$\left(\frac{\text{INCH}}{\text{MILLIMETER}} \right)$



COMPANION FLANGE DETAILS

+12 OR +24 VDC
AUXILIARY DRIVE ENGAGEMENT

*OPTIONAL
-MANUAL OVERRIDE SHUTOFF
-PRIMER ARMING

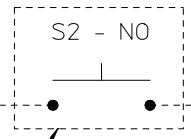


DEUTSCH MALE CONNECTOR
DT06-4S
WITH PIN P/N: 1062-16-0122

PRIMING PUMP
WIRE PLUG

DEUTSCH FEMALE CONNECTOR
DT04-4P
WITH PIN P/N: 1060-16-0122

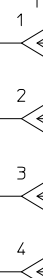
*OPTIONAL
-MANUAL PRIMER
BUSH BUTTON SWITCH



FOR MANUAL PRIMER OPERTAION
ONLY. REMOVE J1 AND INSTALL S2.

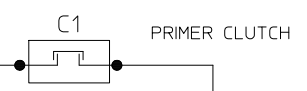


J1



BLUE
BLACK
WHITE
GREEN

PS1 - NC PRESSURE SWITCH
(MANOMETRIC) 0.7 BAR/10PSI



SUPPLIED BY INSTALLER ← → SUPPLIED WITH PUMP

PRIMING PUMP WIRING

12 OR 24 VDC