

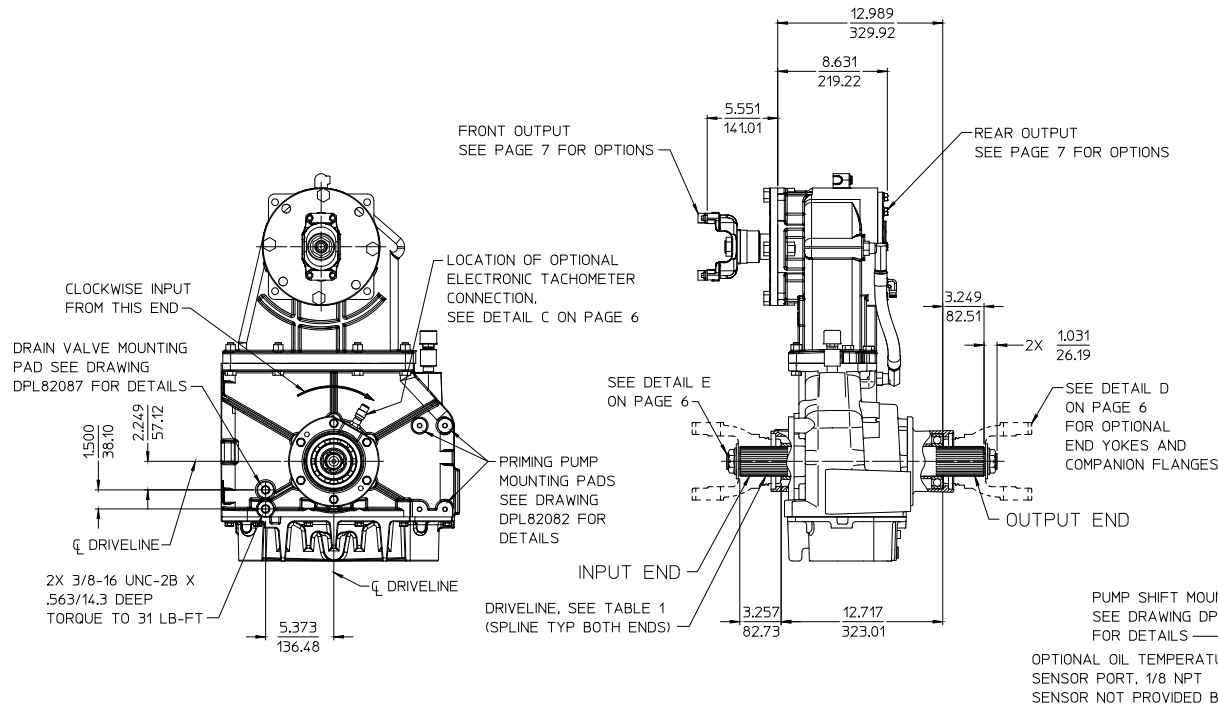
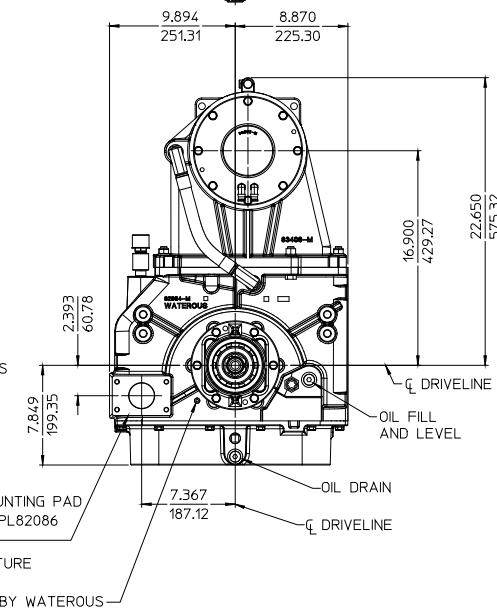
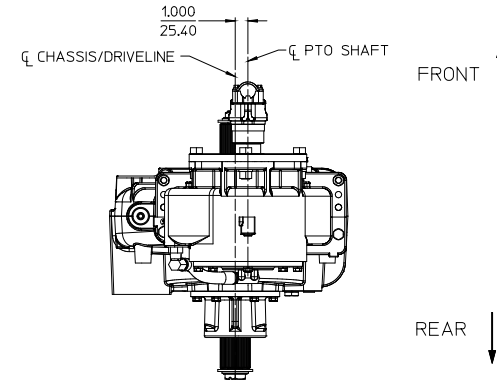


Document Number DPL83386	Issue Date 11/23/15	Rev. Date 2/2/22
------------------------------------	-------------------------------	----------------------------

TC21 Series Power Take-Off Dimensional Drawings

Feature		See Page
Overall Dimensions	Front Facing Output Shaft	2
	Rear Facing Output Shaft	3
Mounting Bracket Attachment Locations	Front Facing Output Shaft	4
	Rear Facing Output Shaft	5
Driveline	Tachometer	6
	End Yokes and Companion Flanges	
Output Shaft	Single Output	7
	Dual Output	

TABLE 1 - AVAILABLE DRIVELINE / MODELS							
DRIVELINE			OPTIONAL END YOKES AND COMPANION FLANGES AVAILABLE FROM WATEROUS. SEE DETAIL D ON PAGE 6				
TYPE	SIZE	SPLINE	YOKE		CROSS AND BEARING KIT	COMPANION FLANGE	
			SPICER SERIES	PART NUMBER		SPICER SERIES	PART NUMBER
EXTRA HEAVY DUTY	2.35 INCH	2.350-46T INVOLUTE	1710	V 2837	V 2839	1480/1610	V 3719
			1810	V 2838	V 2840	1650/1710	V 3619
			SPL140	V 3388	V 3389	ISO 8667	63714
			1810 HR	V 4102	-	-	-

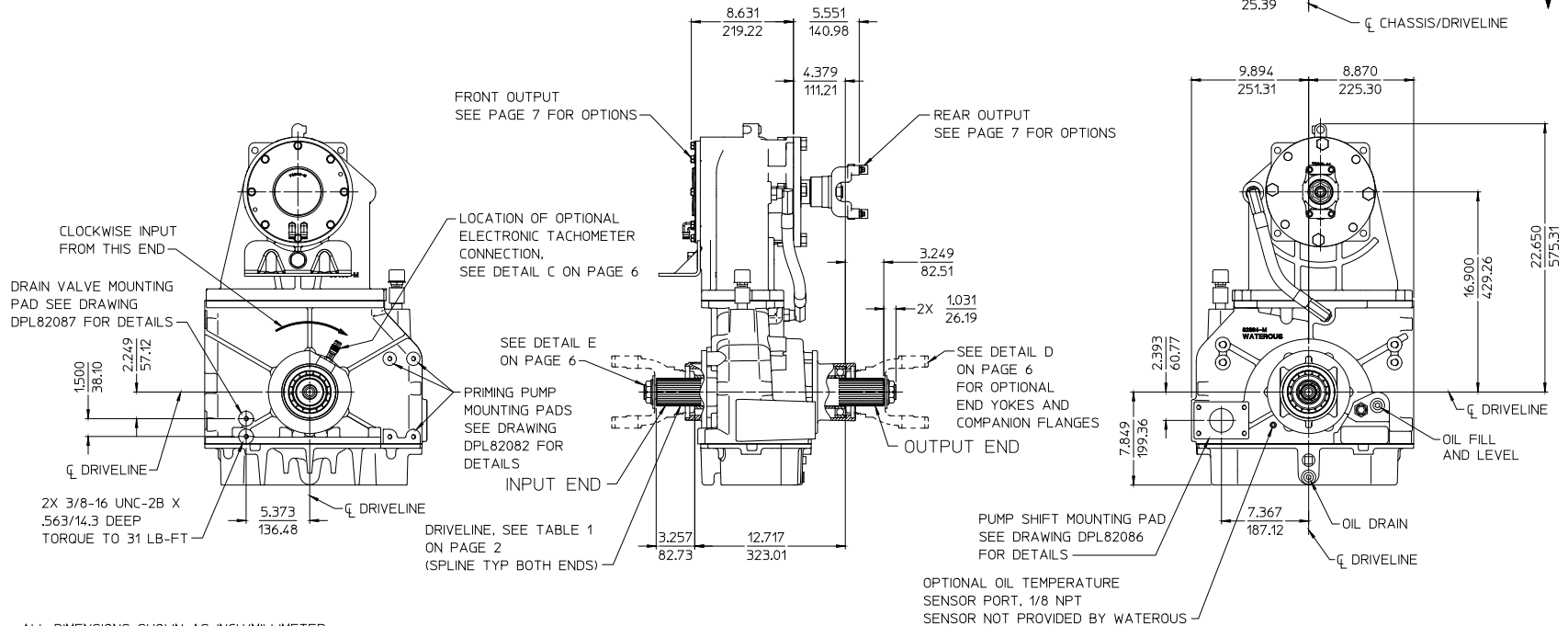
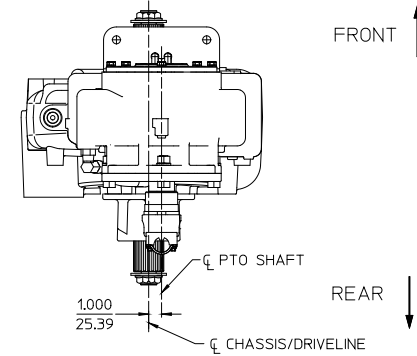


ALL DIMENSIONS SHOWN AS INCH/MILLIMETER
(INCH / MILLIMETER)

OVERALL DIMENSIONS
FRONT FACING (INPUT END) OUTPUT SHAFT
SPLIT SHAFT DRIVE, CLOCKWISE INPUT
(TC21 1.77 RATIO)

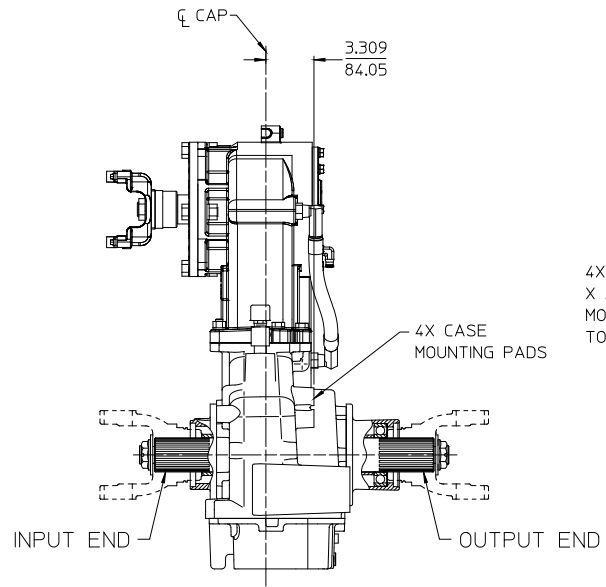
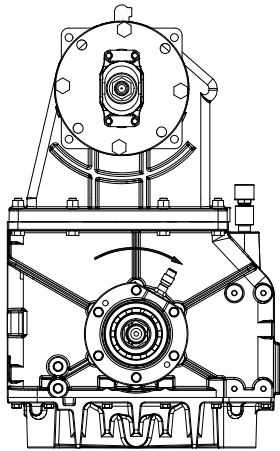
TABLE 1 - AVAILABLE DRIVELINE / MODELS

DRIVELINE			OPTIONAL END YOKES AND COMPANION FLANGES AVAILABLE FROM WATEROUS, SEE DETAIL D ON PAGE 4				
TYPE	SIZE	SPLINE	YOKE		CROSS AND BEARING KIT	COMPANION FLANGE	
			SPICER SERIES	PART NUMBER		SPICER SERIES	PART NUMBER
EXTRA HEAVY DUTY	2.35 INCH	2.350-46T INVOLUTE	1710	V 2837	V 2839	1480/1610	V 3719
			1810	V 2838	V 2840	1650/1710	V 3619
			SPL140	V 3388	V 3389	ISO 8667	63714
			1810 HR	V 4102	-	-	-

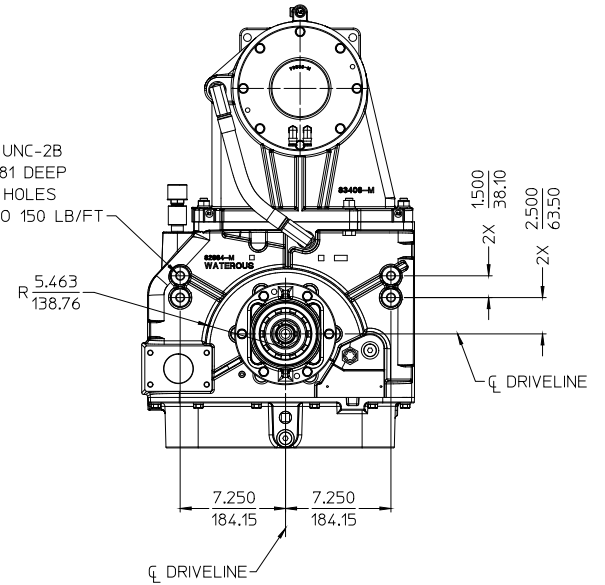


ALL DIMENSIONS SHOWN AS INCH/MILLIMETER
(INCH / MILLIMETER)

OVERALL DIMENSIONS
REAR FACING (OUTPUT END) OUTPUT SHAFT
SPLIT SHAFT DRIVE, CLOCKWISE INPUT
(TC21 1.77 RATIO)

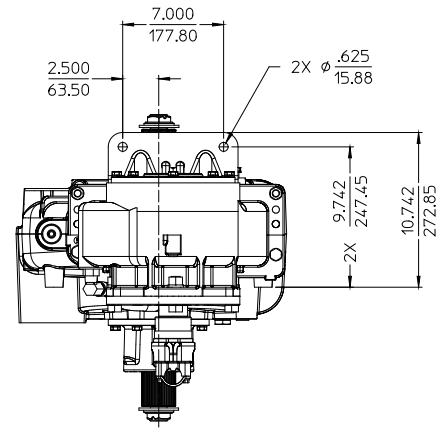
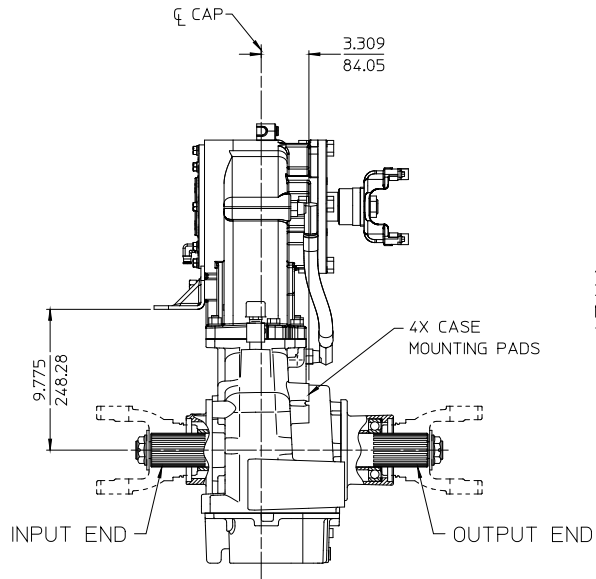
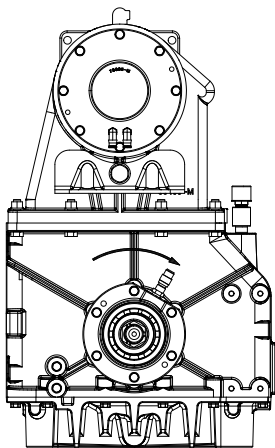


4X 5/8-11 UNC-2B
 X .938/23.81 DEEP
 MOUNTING HOLES
 TORQUE TO 150 LB/FT

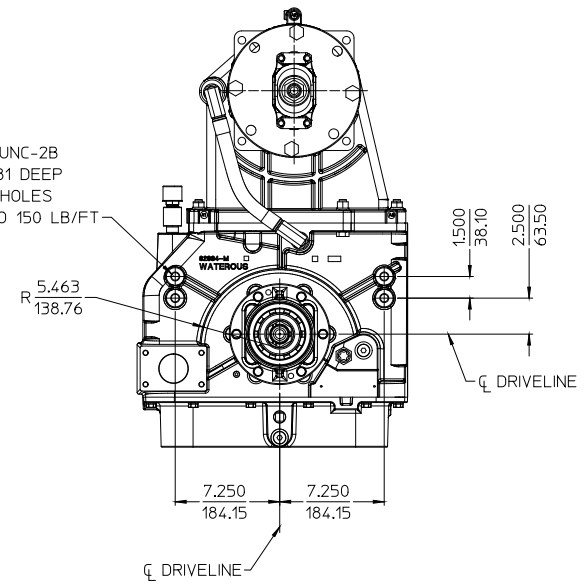


ALL DIMENSIONS SHOWN AS INCH/MILLIMETER
 (INCH)
 (MILLIMETER)

MOUNTING BRACKET ATTACHMENT LOCATIONS
FRONT FACING (INPUT SIDE) OUTPUT SHAFT

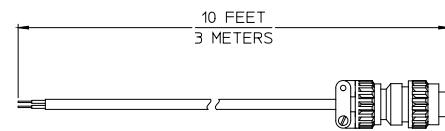
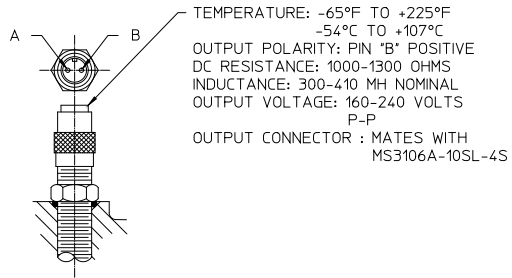


4X 5/8-11 UNC-2B
 X .938/23.81 DEEP
 MOUNTING HOLES
 TORQUE TO 150 LB/FT

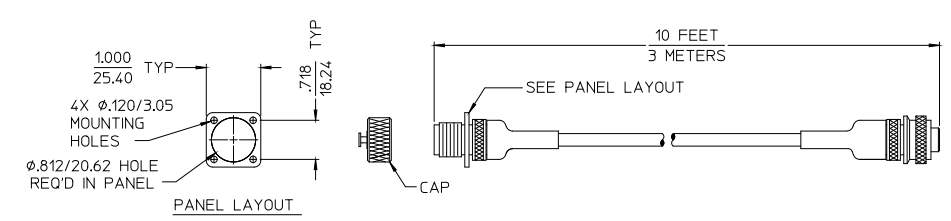


ALL DIMENSIONS SHOWN AS INCH/MILLIMETER
 (INCH)
 (MILLIMETER)

MOUNTING BRACKET ATTACHMENT LOCATIONS
REAR FACING (OUTPUT SIDE) OUTPUT SHAFT



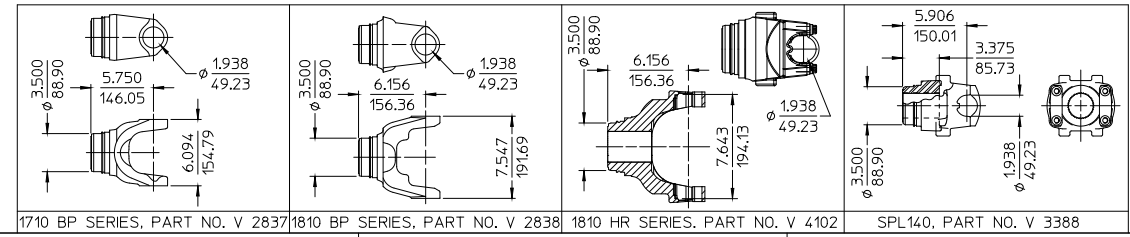
ORDER PART NO. V 3398




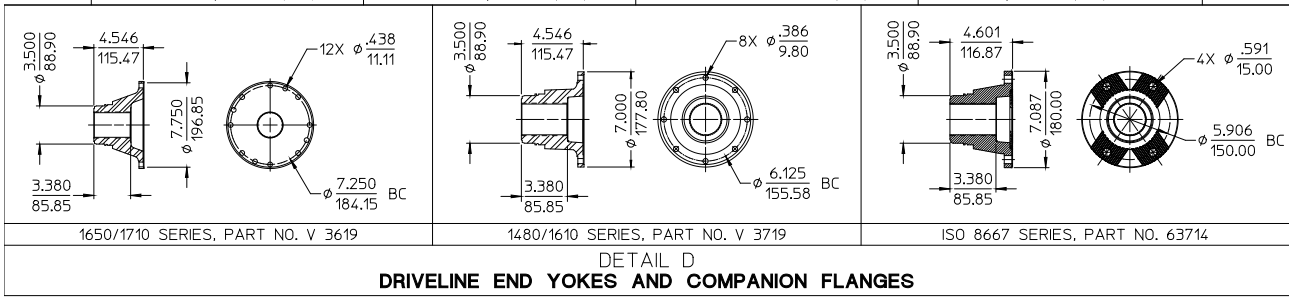
ORDER PART NO. 63033

OPTIONAL CABLES

DETAIL C
 DRIVELINE TACHOMETER CONNECTION



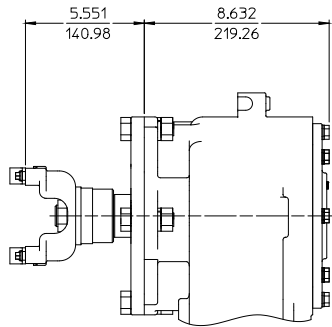

 1-1/4 -18 UNEF NUT
 WITH WASHER. TORQUE
 NUT TO 475-525 LB-FT.
 DETAIL E
 COMPONENTS INCLUDED
 ON DRIVELINES



DETAIL D
 DRIVELINE END YOKES AND COMPANION FLANGES

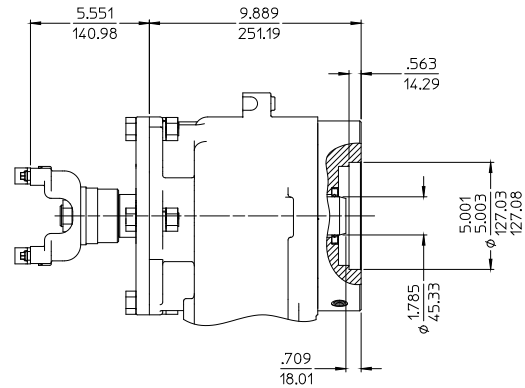
ALL DIMENSIONS SHOWN AS INCH/MILLIMETER
 (INCH
 MILLIMETER)

INPUT END ← → OUTPUT END

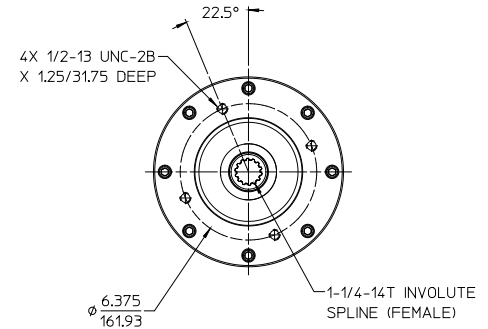


FRONT MOUNTED (INPUT SIDE)

INPUT END ← → OUTPUT END



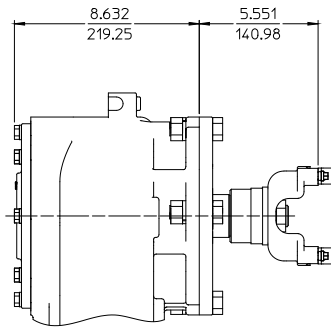
FRONT MOUNTED (INPUT SIDE)



**VIEW F-F
HYDRAULIC PUMP ADAPTER FLANGE**

USED FOR SAE J744 CLASS C 4-BOLT
HYDRAULIC PUMP WITH MALE
1-1/4-14T 12/24 PITCH INVOLUTE SPLINE

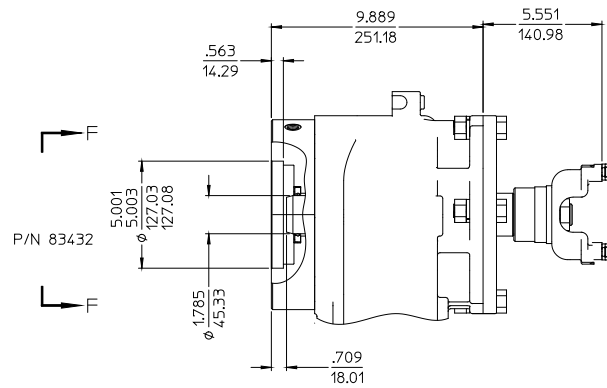
INPUT END ← → OUTPUT END



REAR MOUNTED (OUTPUT SIDE)

**SINGLE OUTPUT
SINGLE END YOKE**

INPUT END ← → OUTPUT END



REAR MOUNTED (OUTPUT SIDE)

**DUAL OUTPUT
END YOKE AND HYDRAULIC FLANGE**

OUTPUT SHAFT

ALL DIMENSIONS SHOWN AS INCH/MILLIMETER
($\frac{\text{INCH}}{\text{MILLIMETER}}$)