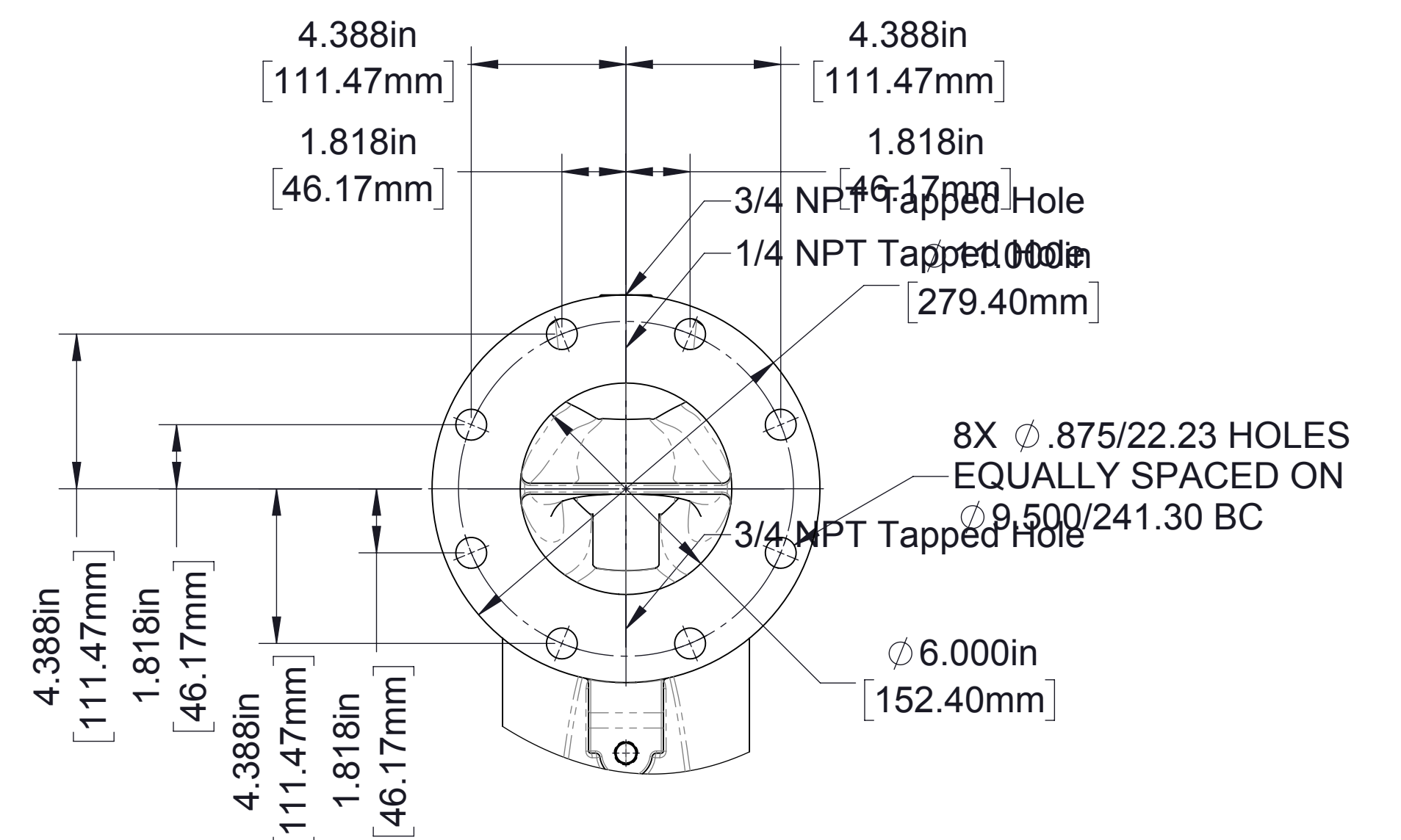
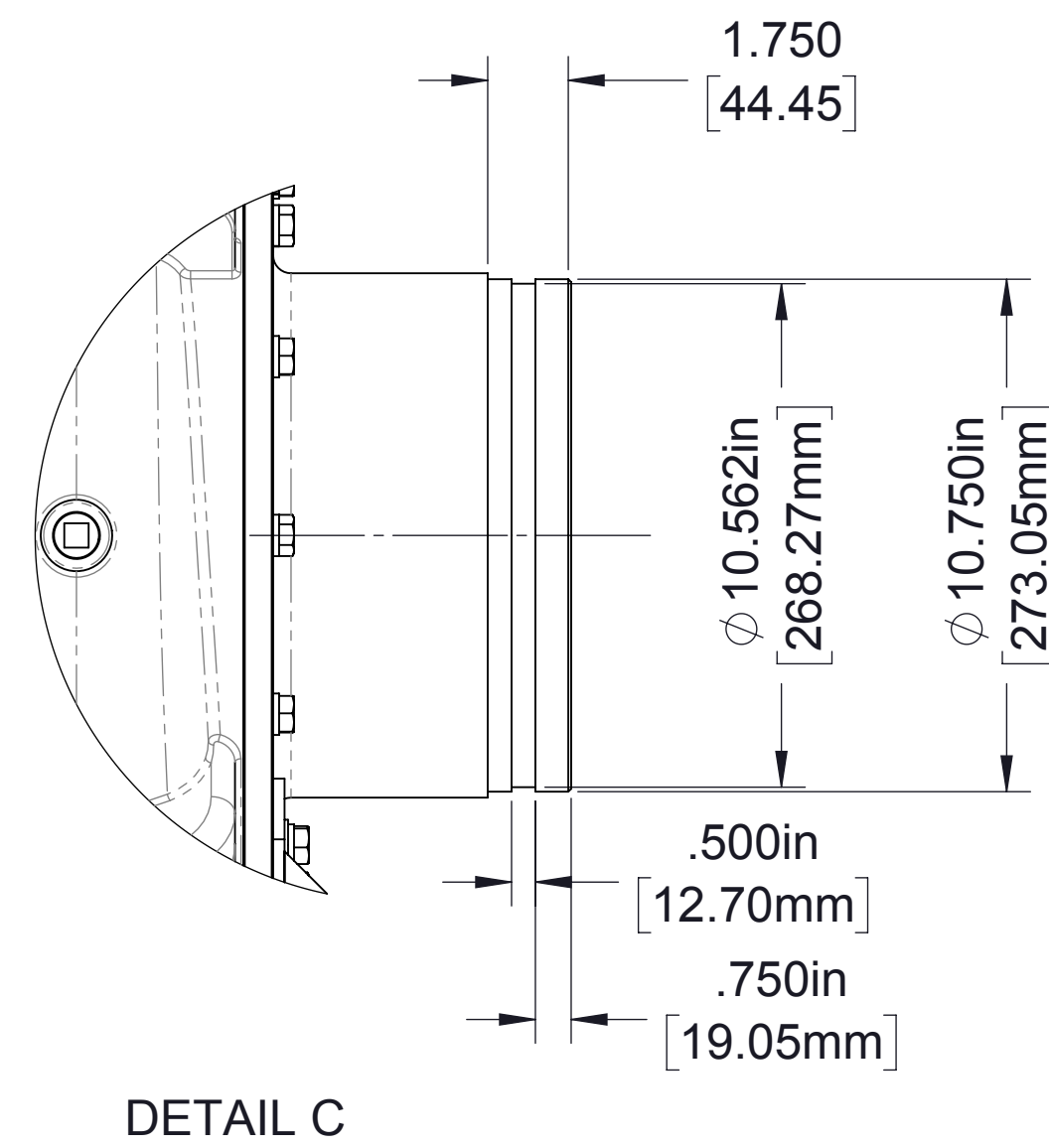
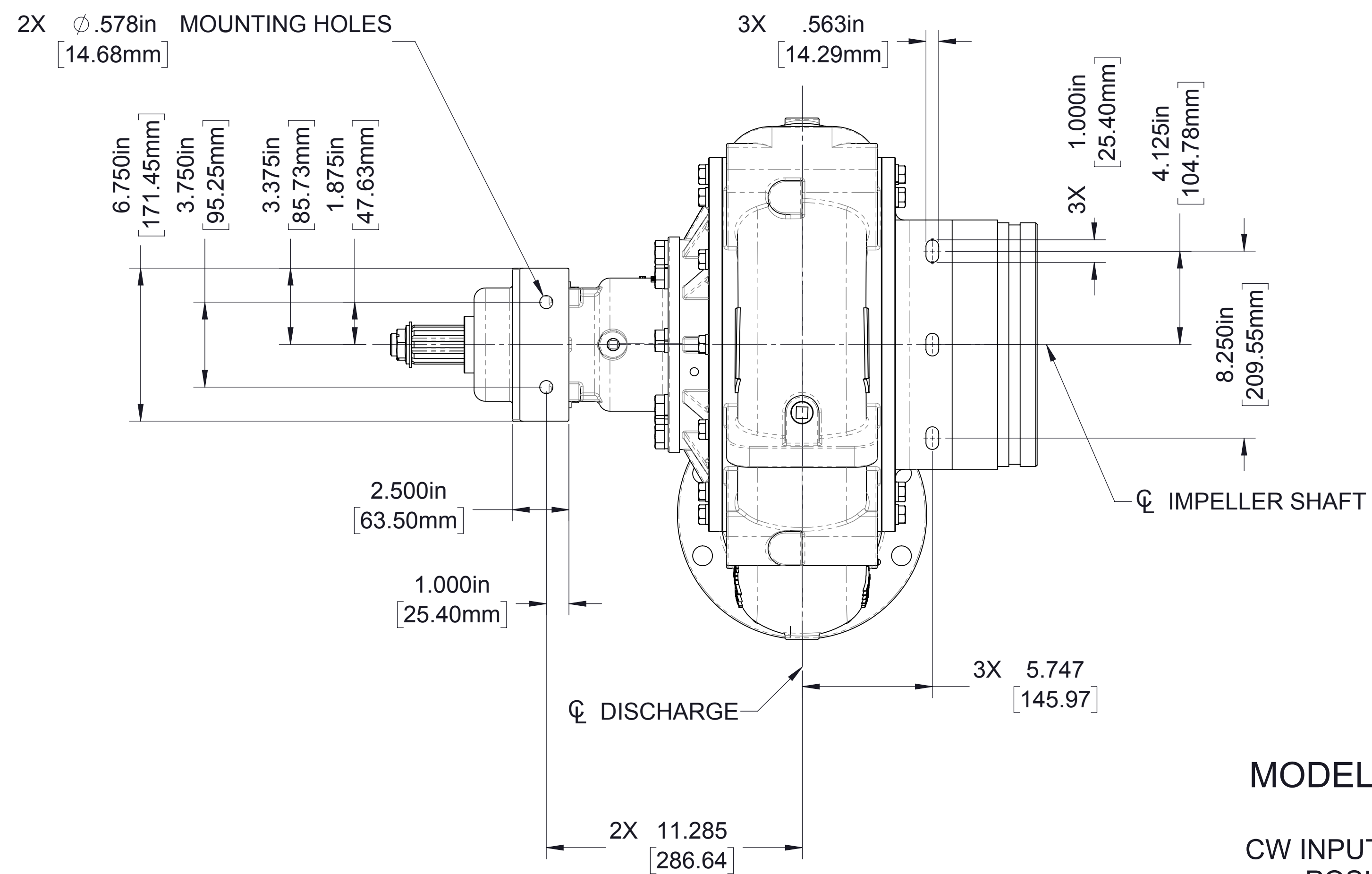
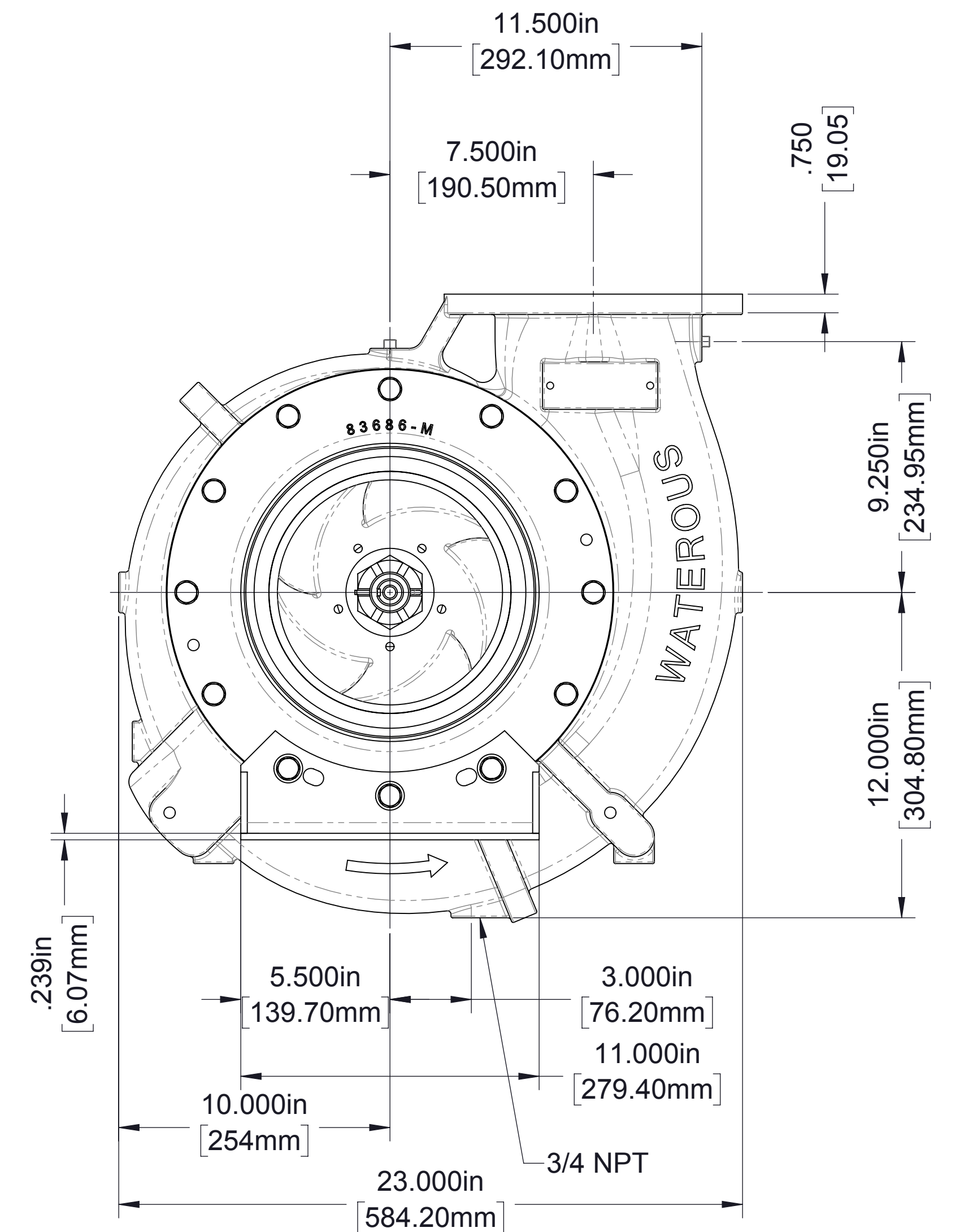
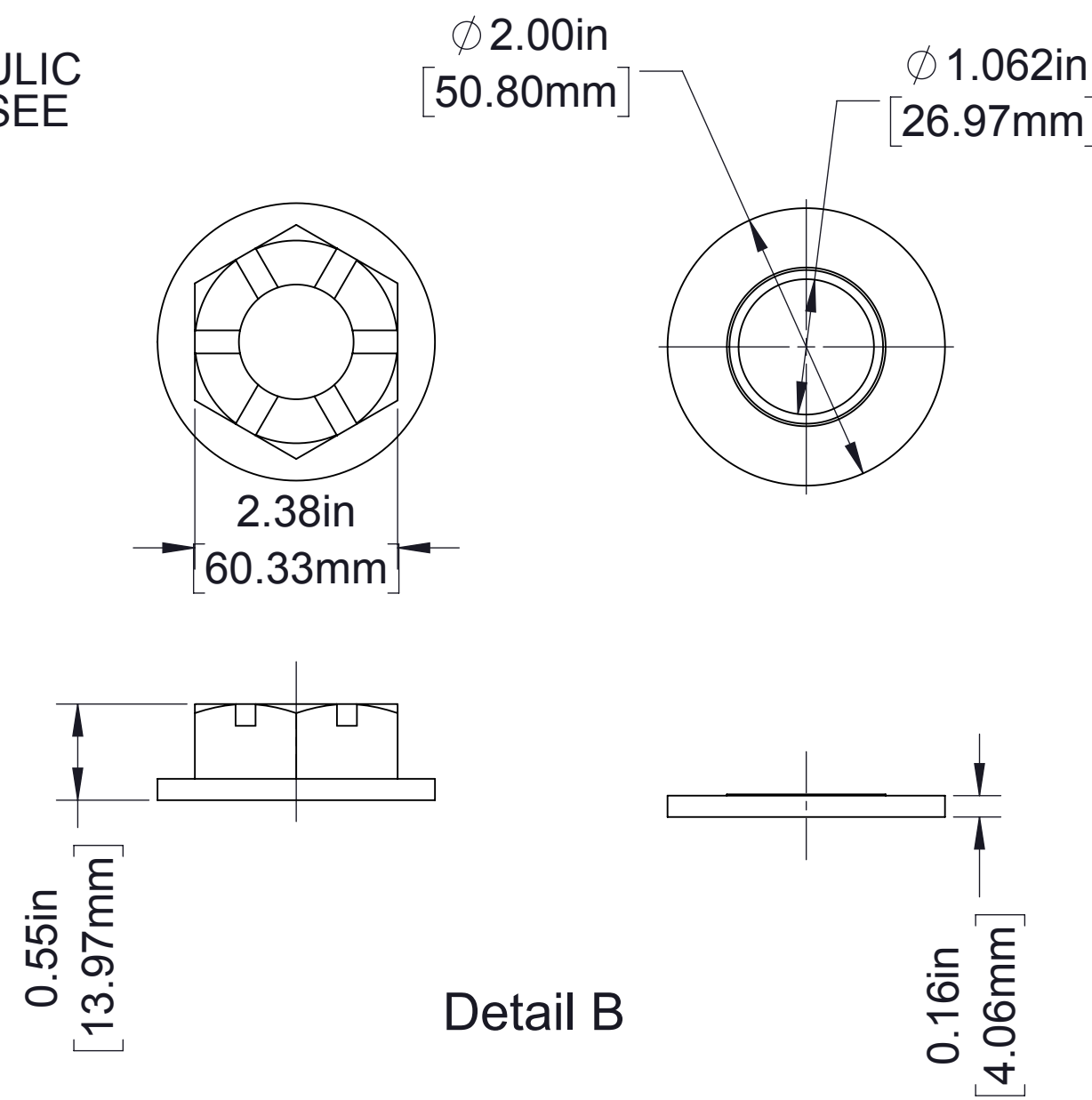
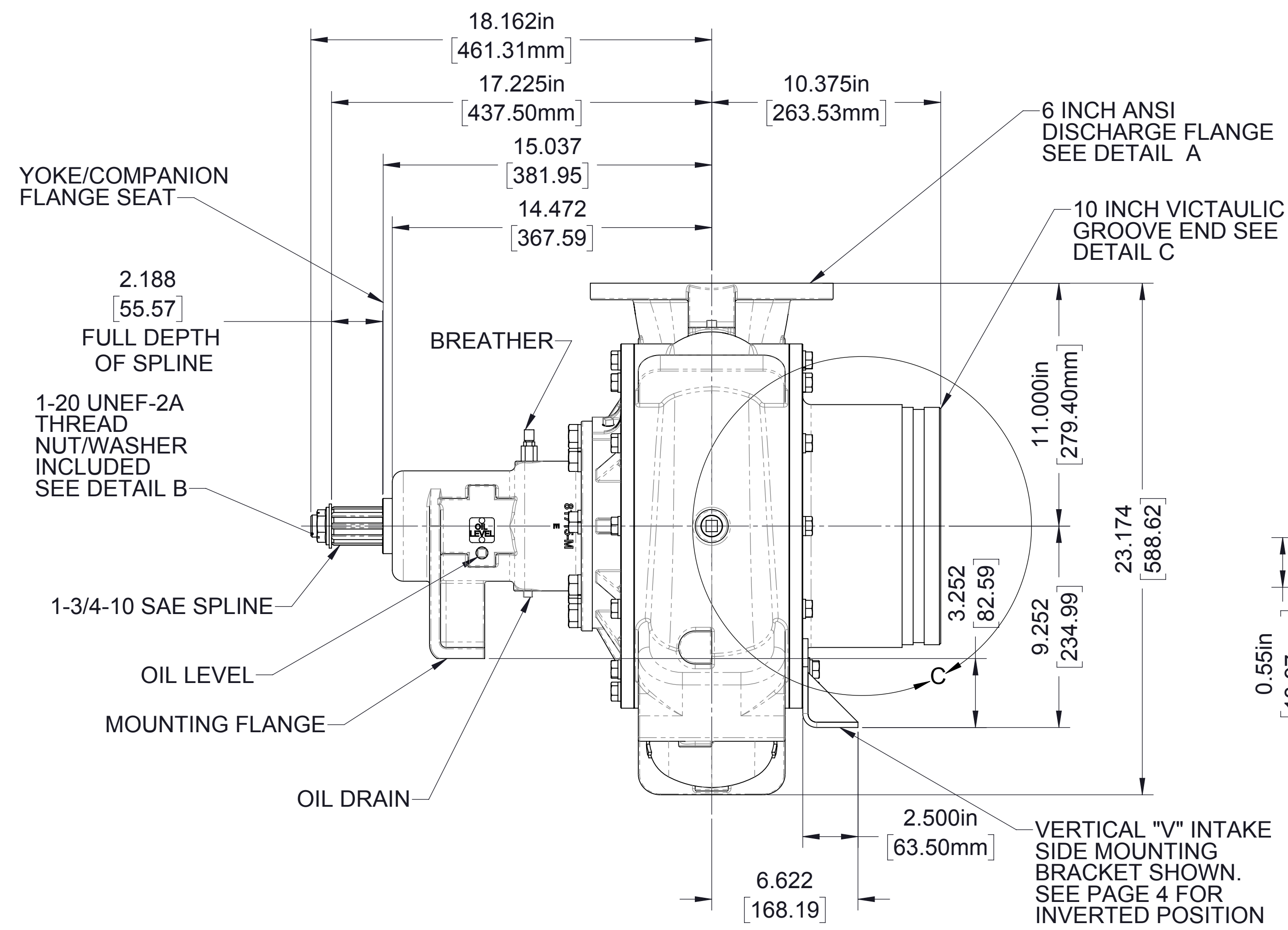


Model CRU-2 (Direct Drive) Dimensional Drawing

INDEX:

Input Rotation	Impeller Rotation	See Pages				
		Basic Pump Dimensions	Available Mounting Bracket Positions	Available Pump Discharge Positions	Optional Companion Flanges	Ordering Information
CW	CCW	2	4	5	6	6
CCW	CW	3	4	5	6	6

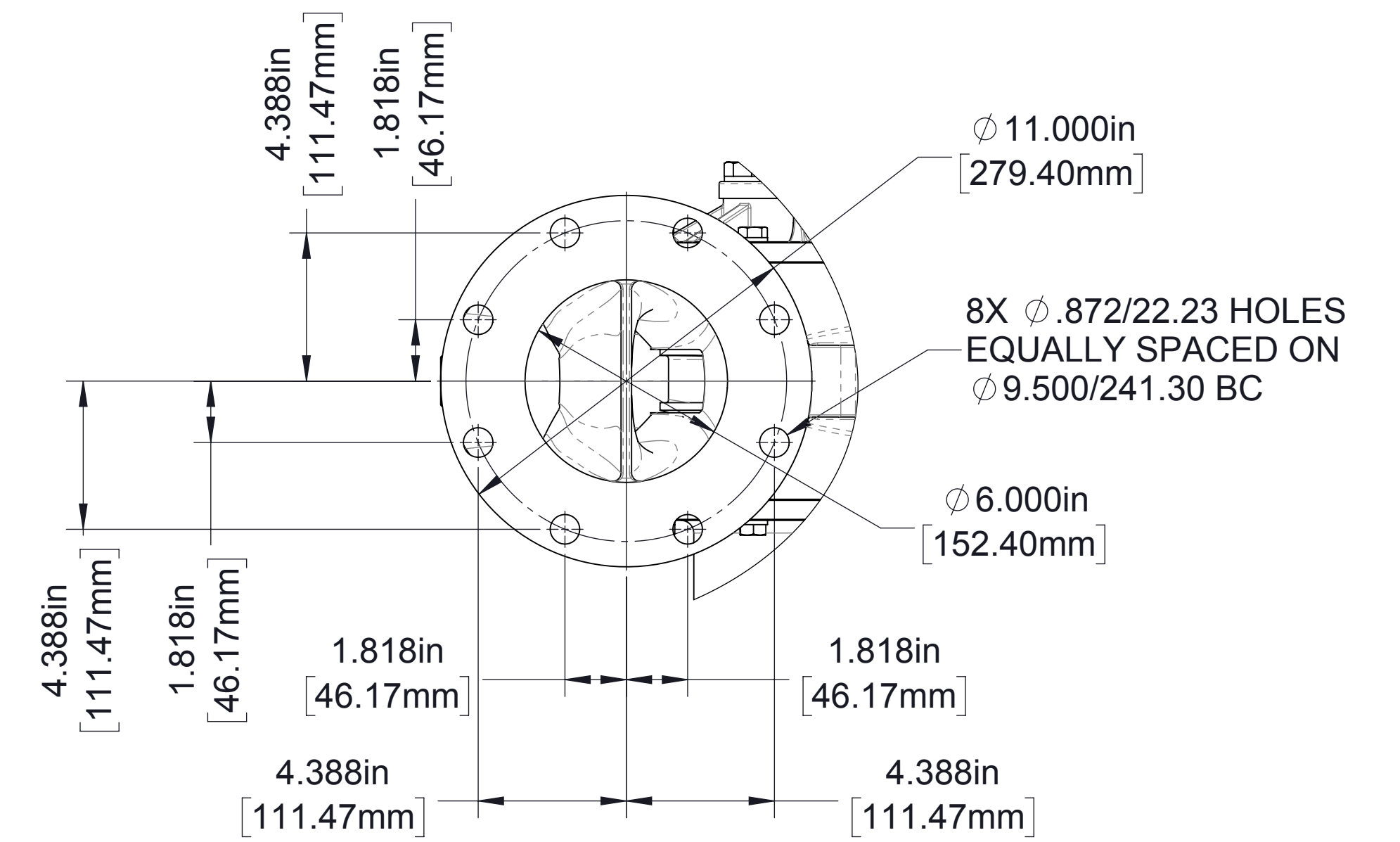
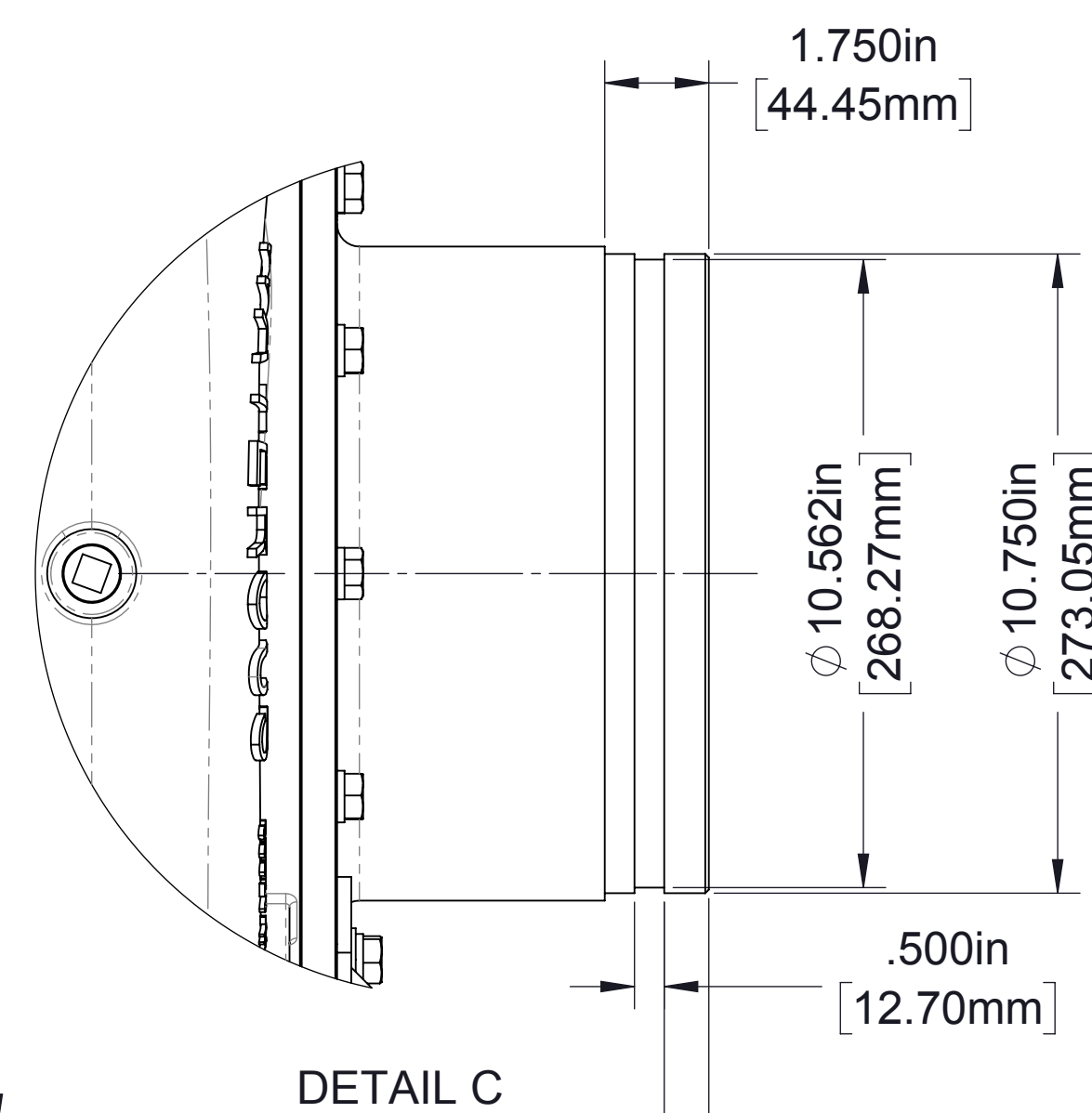
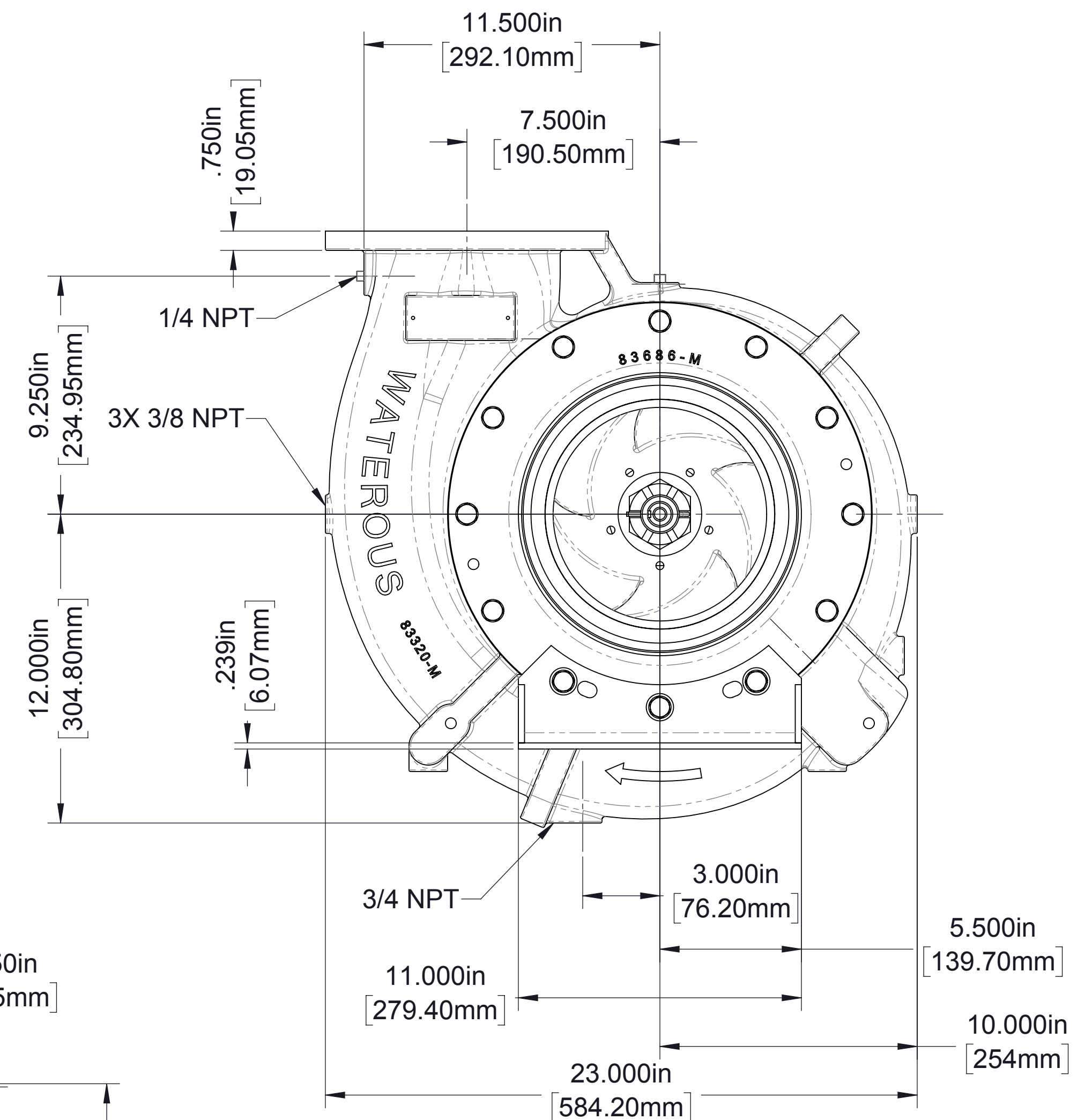
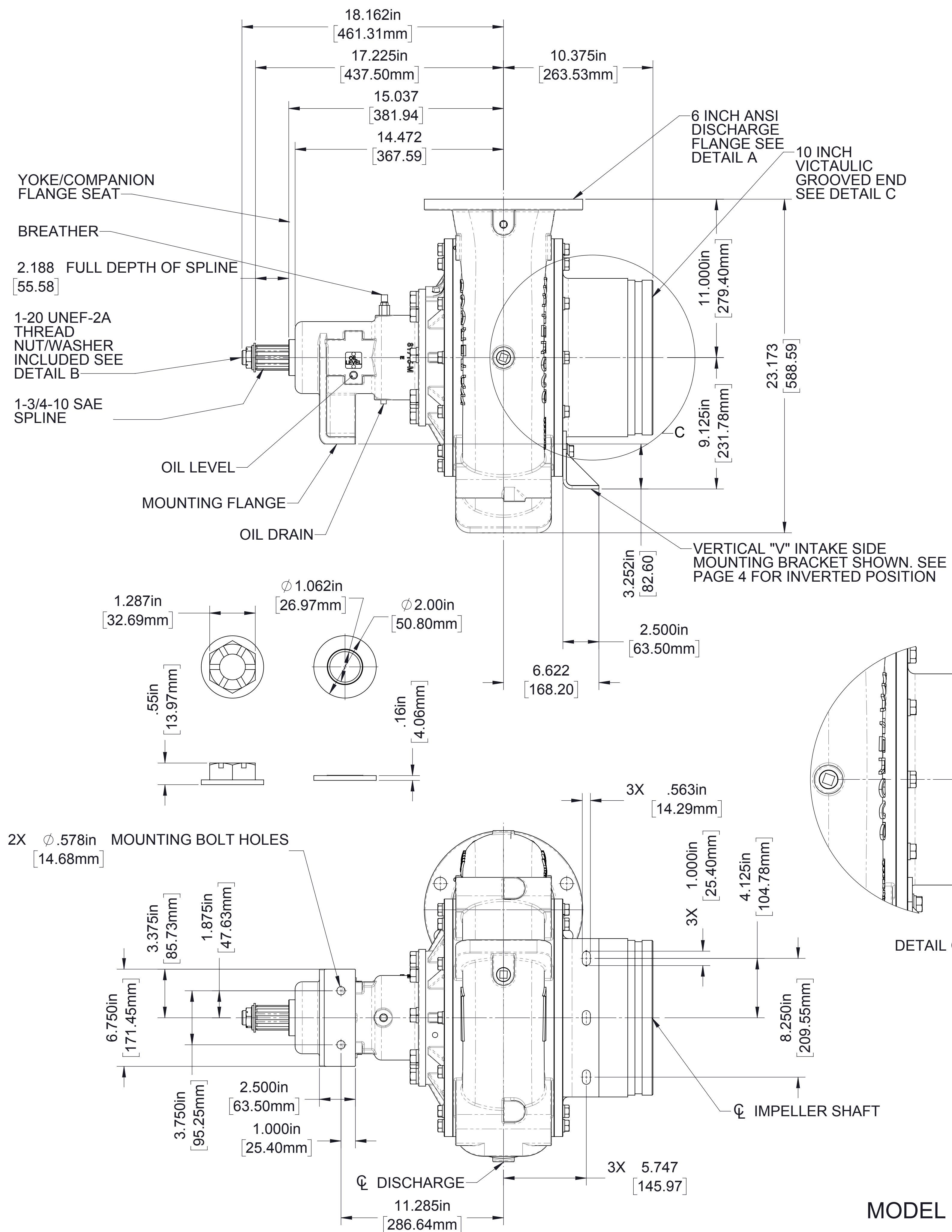


MODEL CRU-2 DIRECT DRIVE

CW INPUT UP (FIGURE 2) DISCHARGE POSITION SHOWN VERTICAL BEARING HOUSING BRACKET POSITION SHOWN

Detail A
Discharge Flange

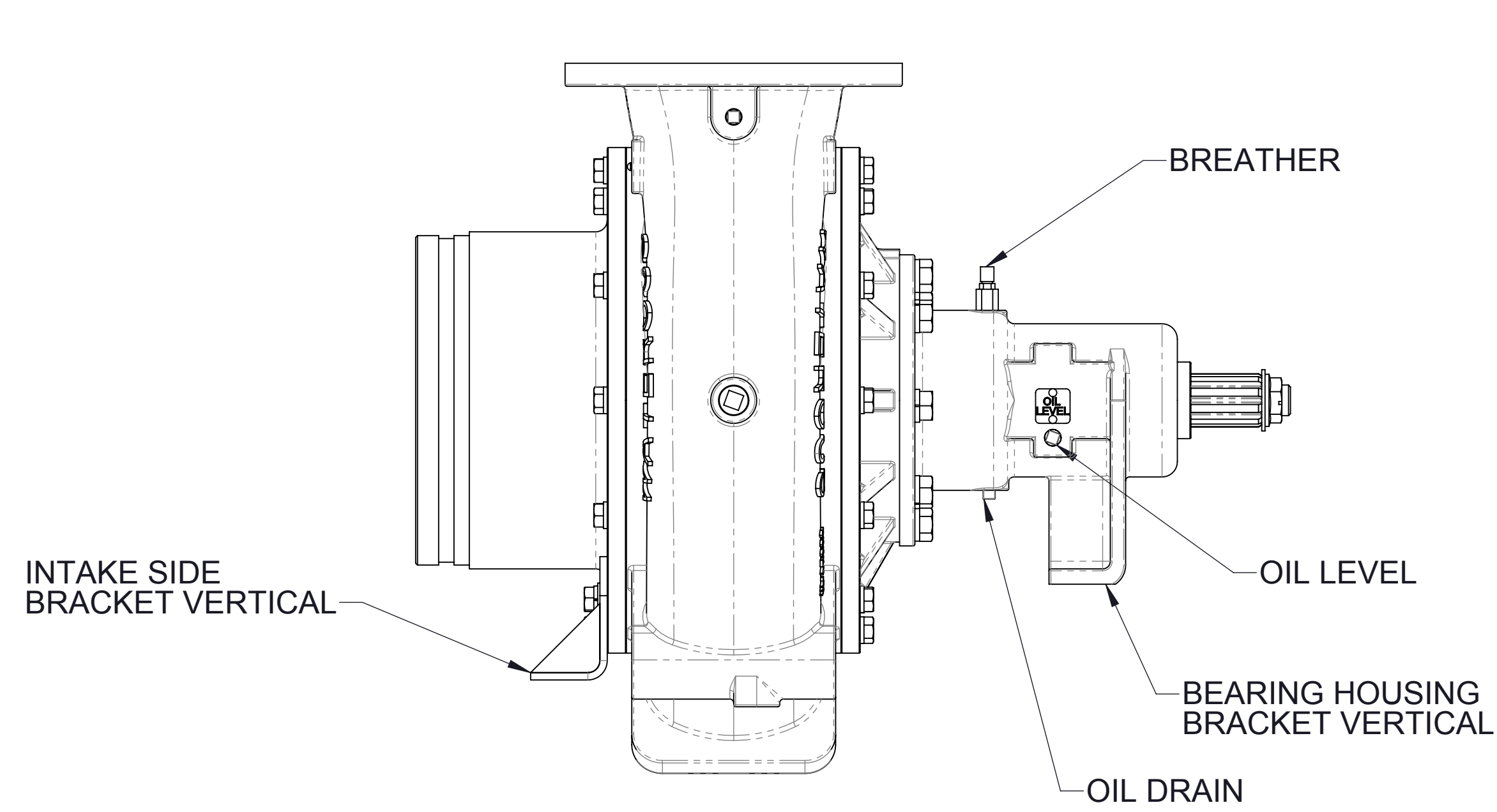
ALL DIMENSIONS SHOWN AS INCH/MILLIMETER
 INCH
 MILLIMETER



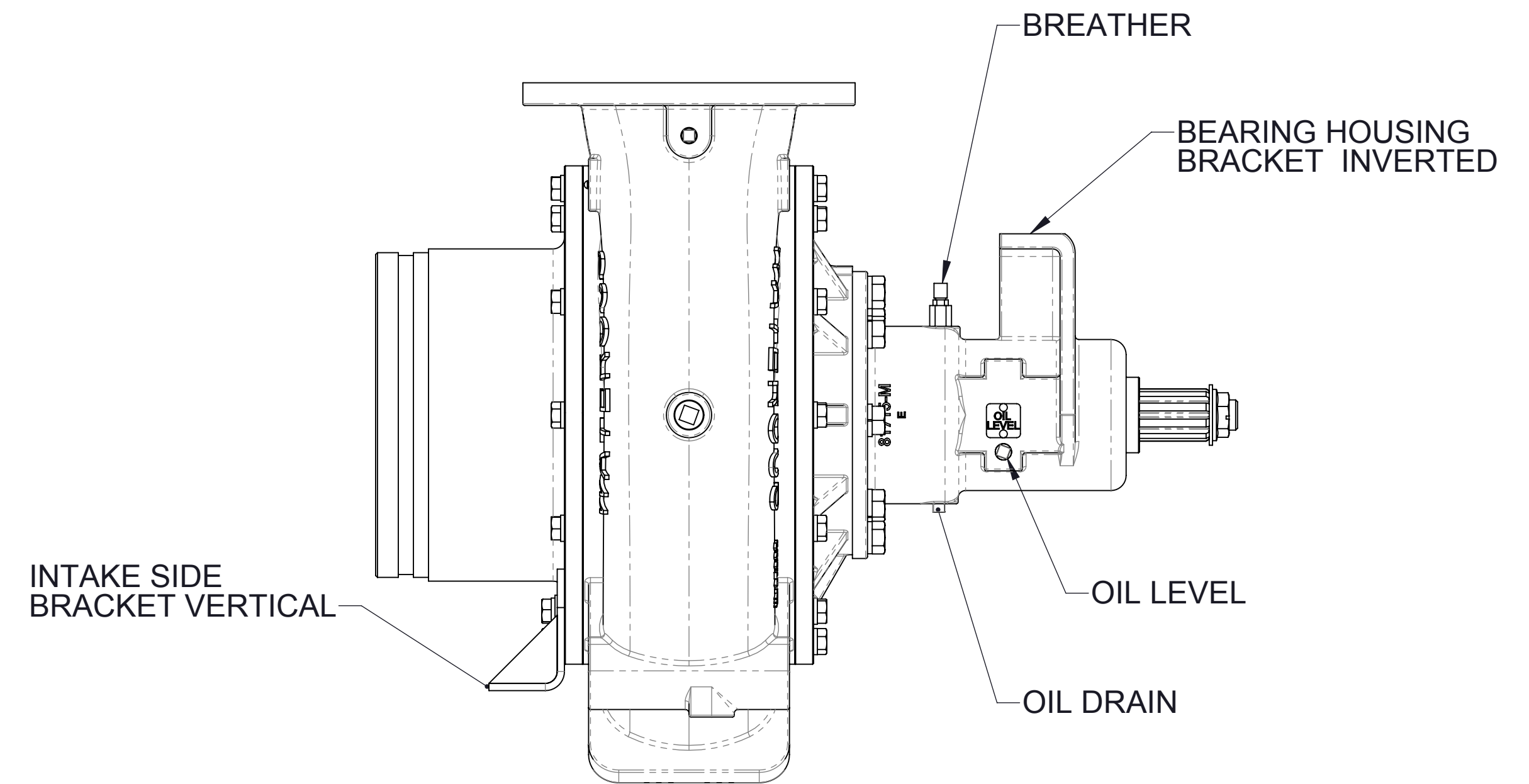
MODEL CRU-2 DIRECT DRIVE

CCW INPUT
 UP (FIGURE 6 DISCHARGE POSITION SHOWN VERTICAL BEARING HOUSING BRACKET POSITION SHOWN)

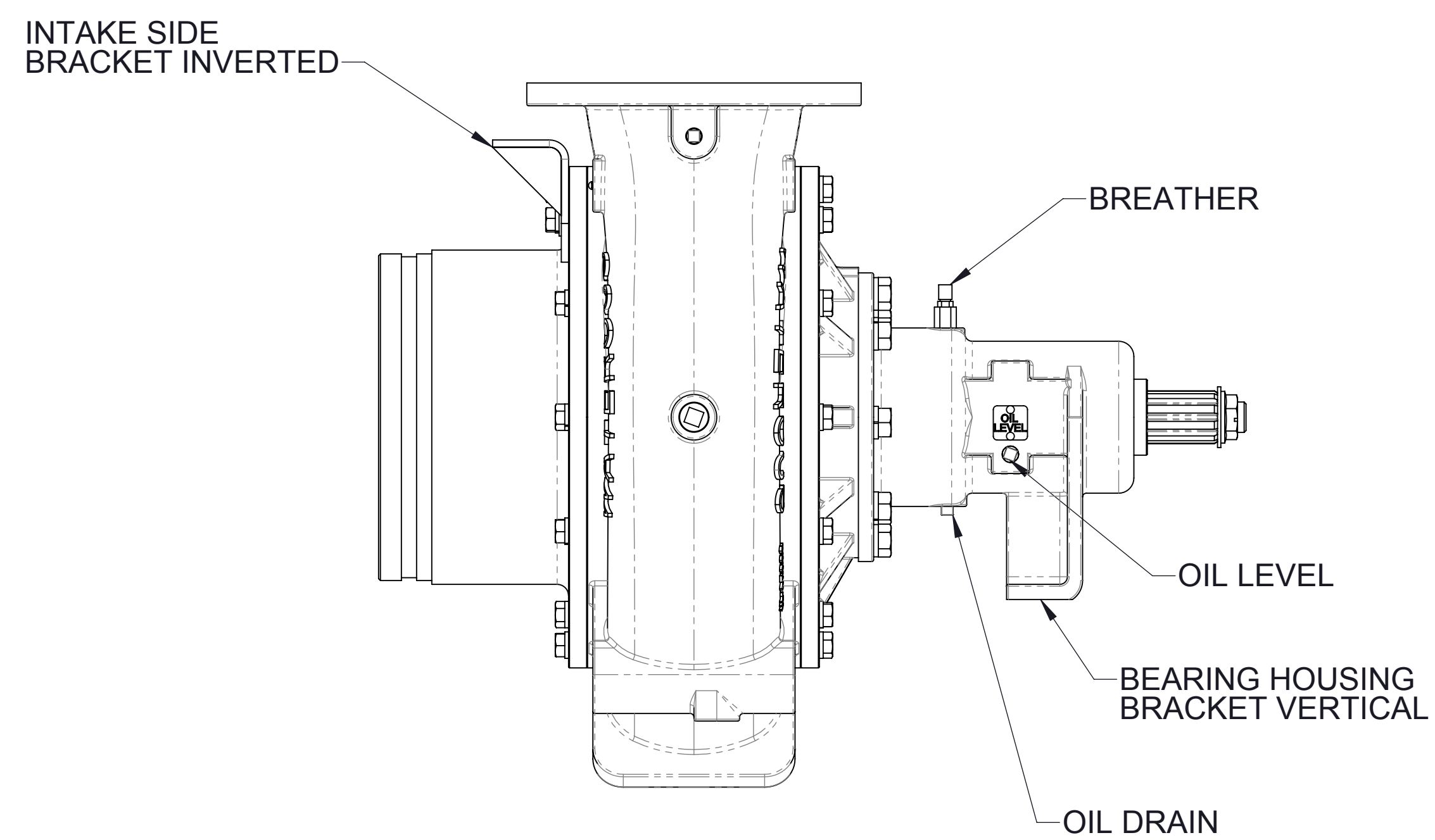
ALL DIMENSIONS SHOWN AS INCH/MILLIMETER
 INCH
 MILLIMETER



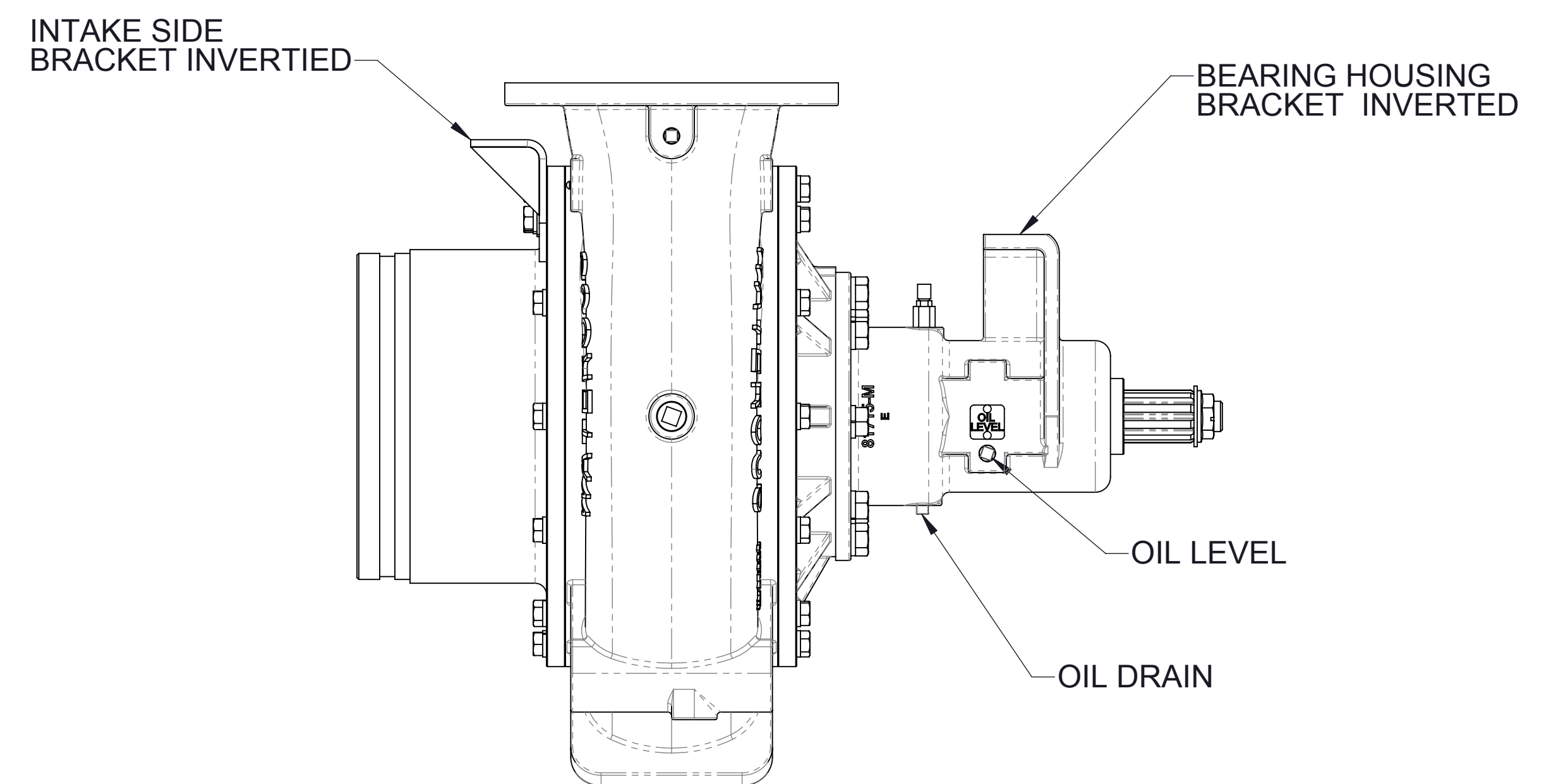
VV VERTICAL/VERTICAL



VU VERTICAL/INVERTED



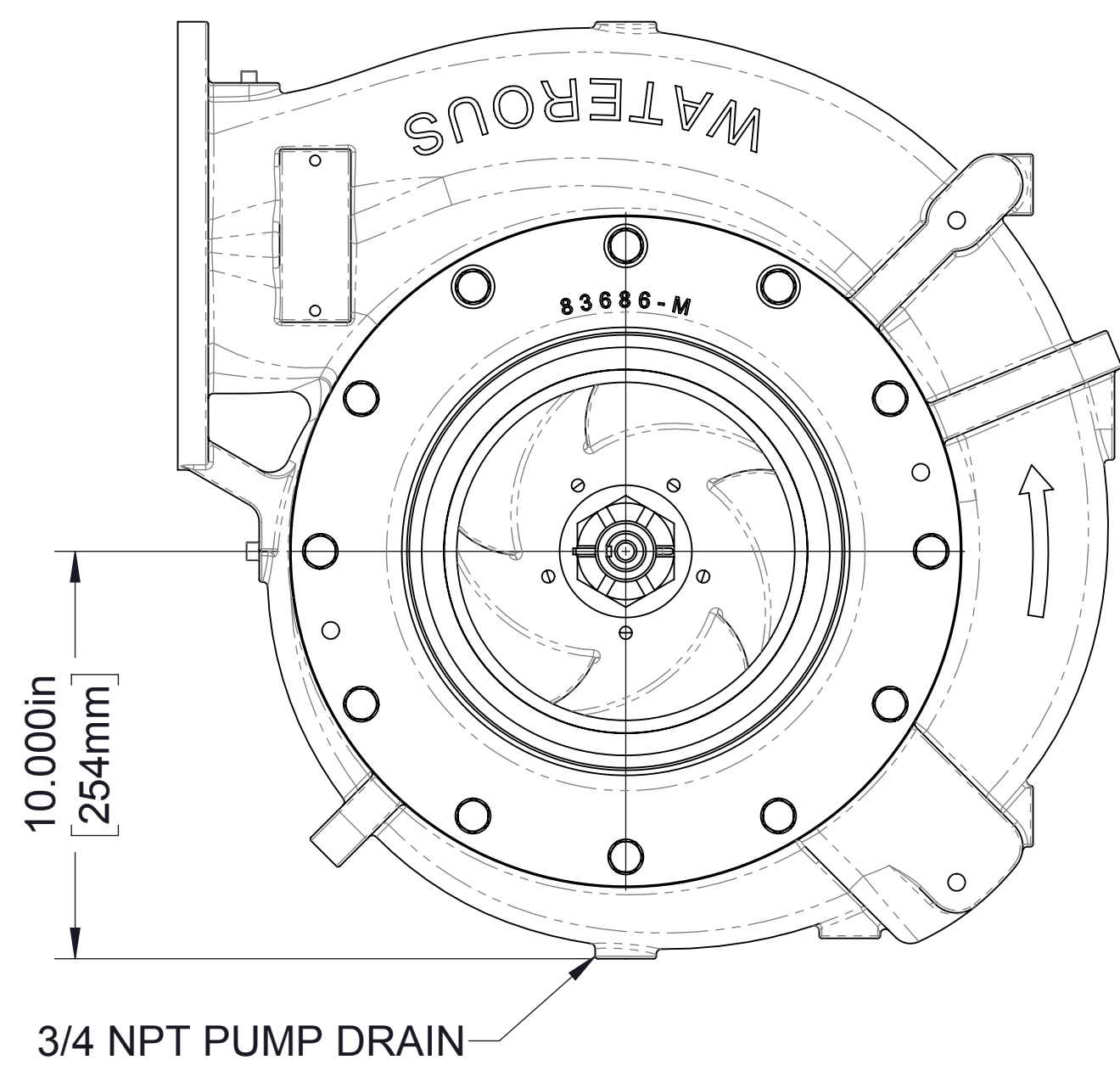
UV INVERTED/VERTICAL



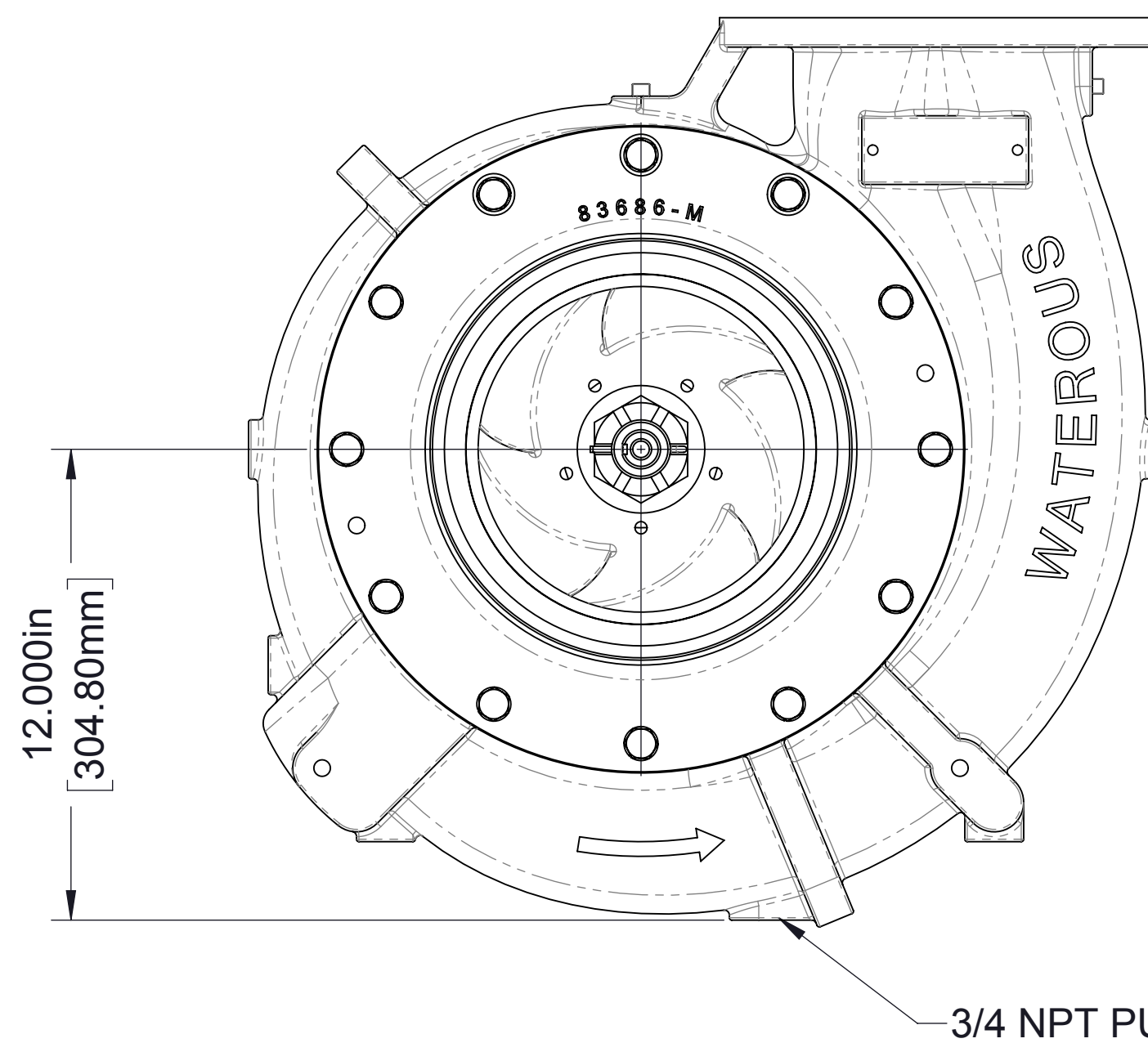
UU INVERTED/INVERTED

AVAILABLE MOUNTING BRACKET POSITIONS

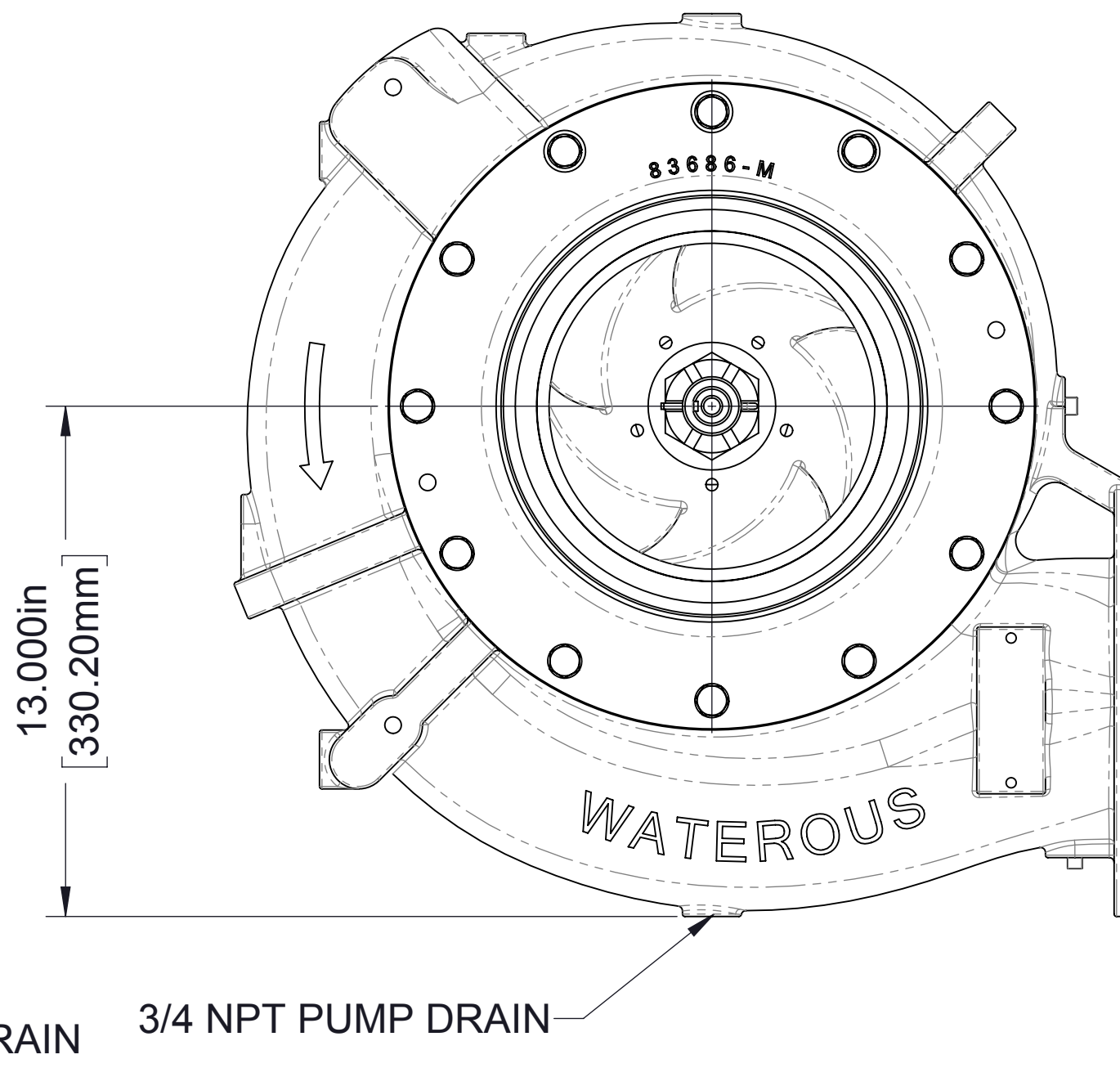
NOTE: FIRST LETTER IDENTIFIES INTAKE SIDE BRACKET MOUNTING
 SECOND LETTER IDENTIFIES BEARING HOUSING BRACKET MOUNTING



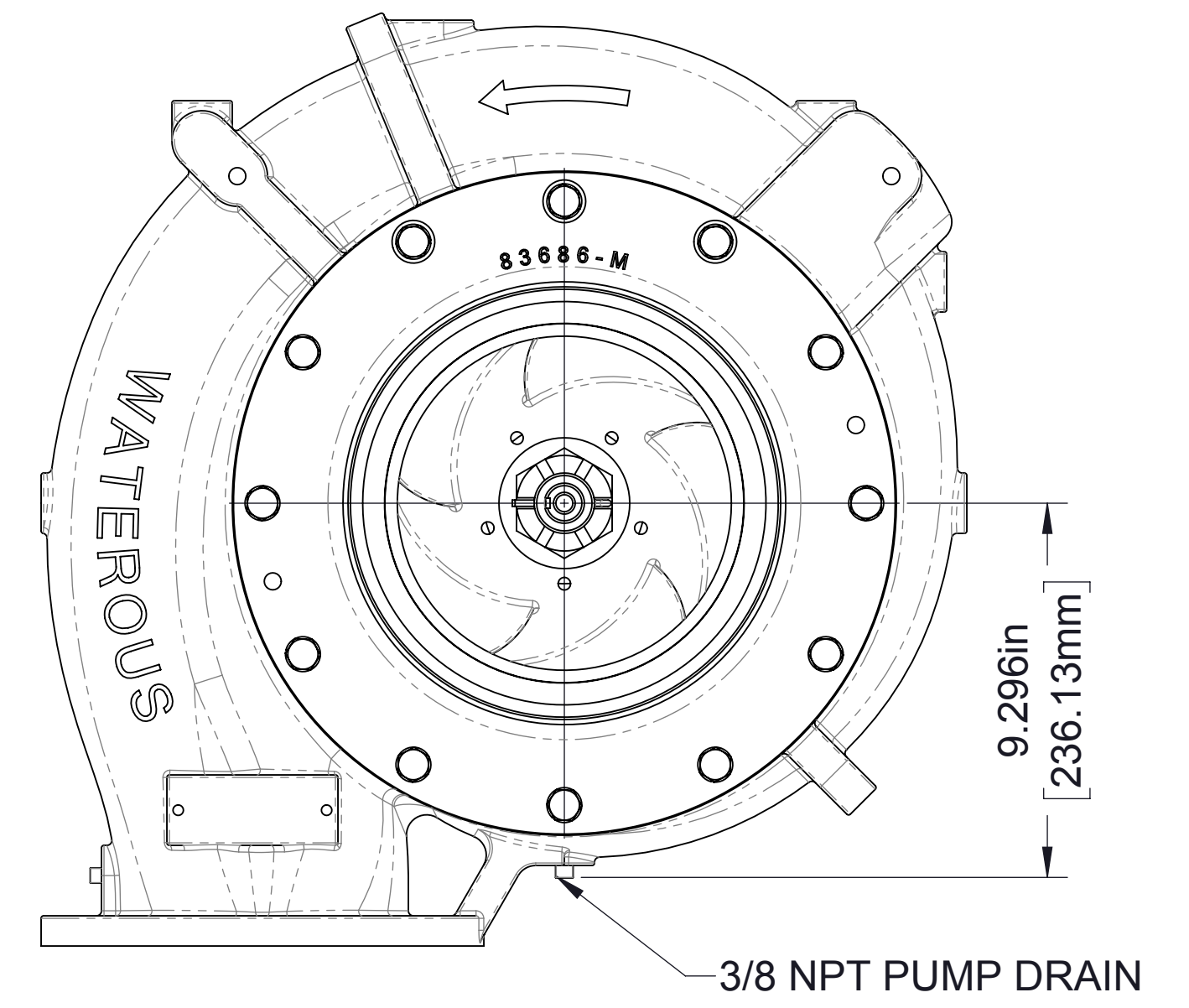
LEFT (FIGURE 1)



UP (FIGURE 2)

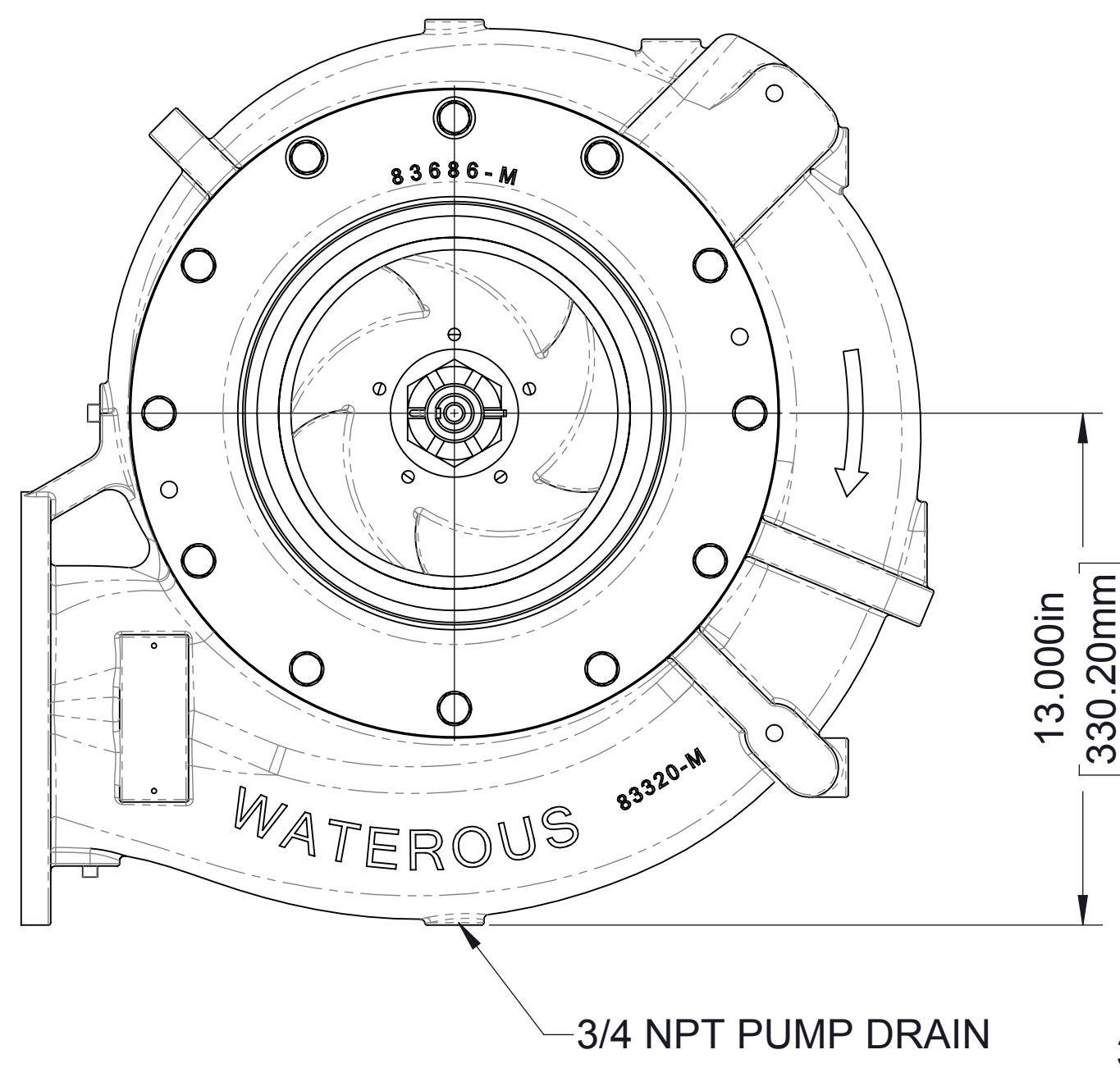


RIGHT (FIGURE 3)

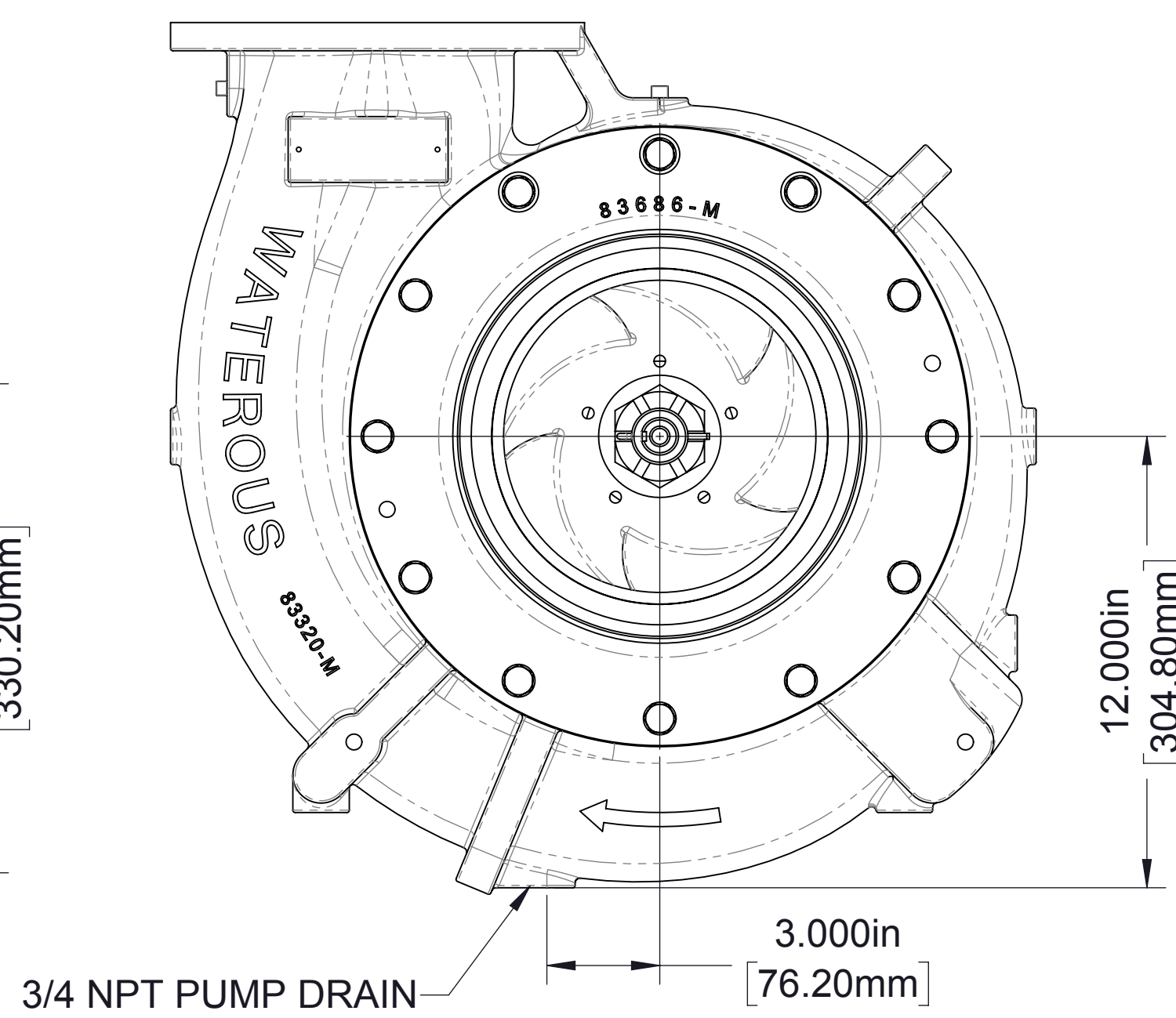


DOWN (FIGURE 4)

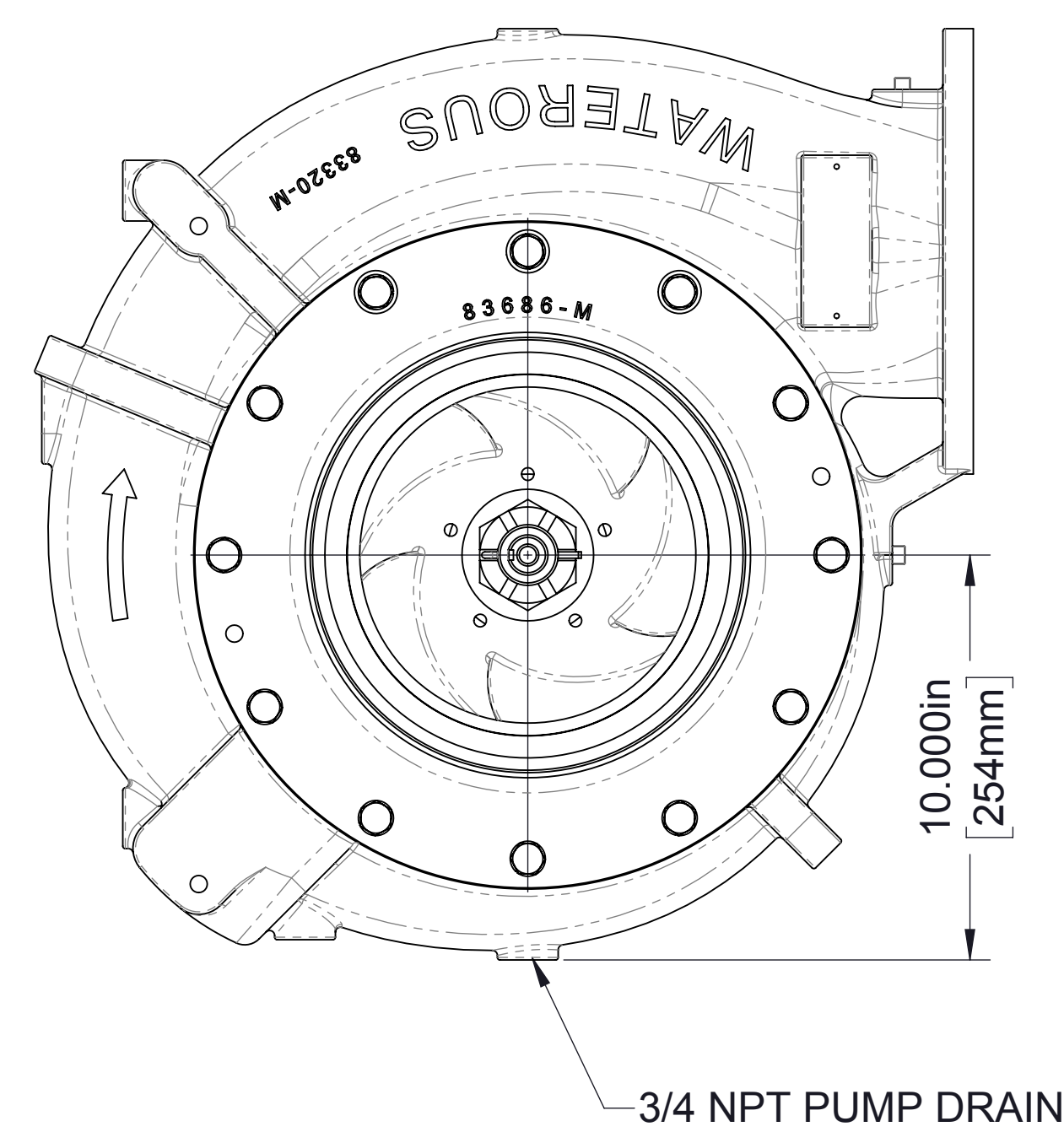
DISCHARGE POSITIONS (CW INPUT)



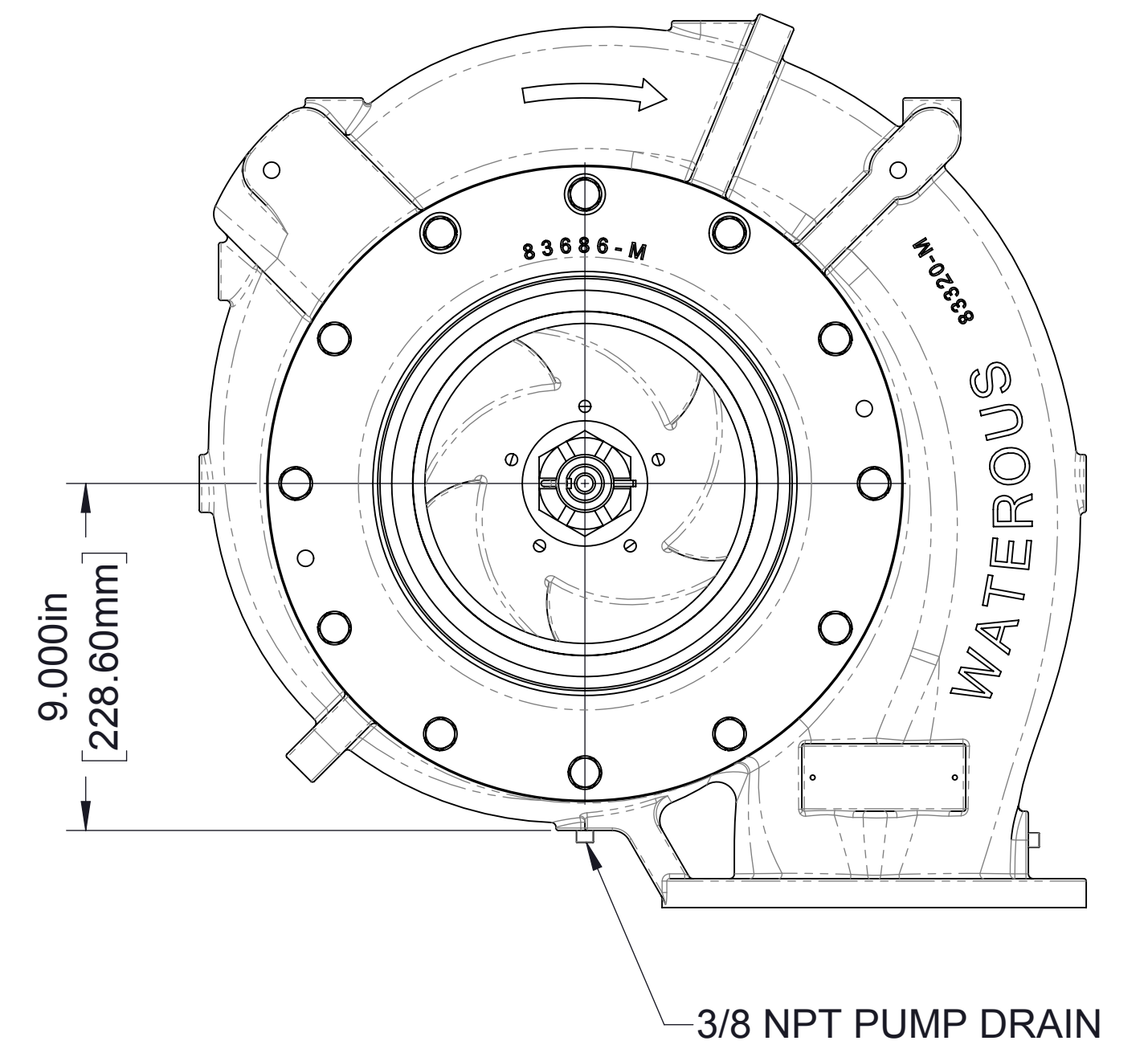
LEFT (FIGURE 5)



UP (FIGURE 6)



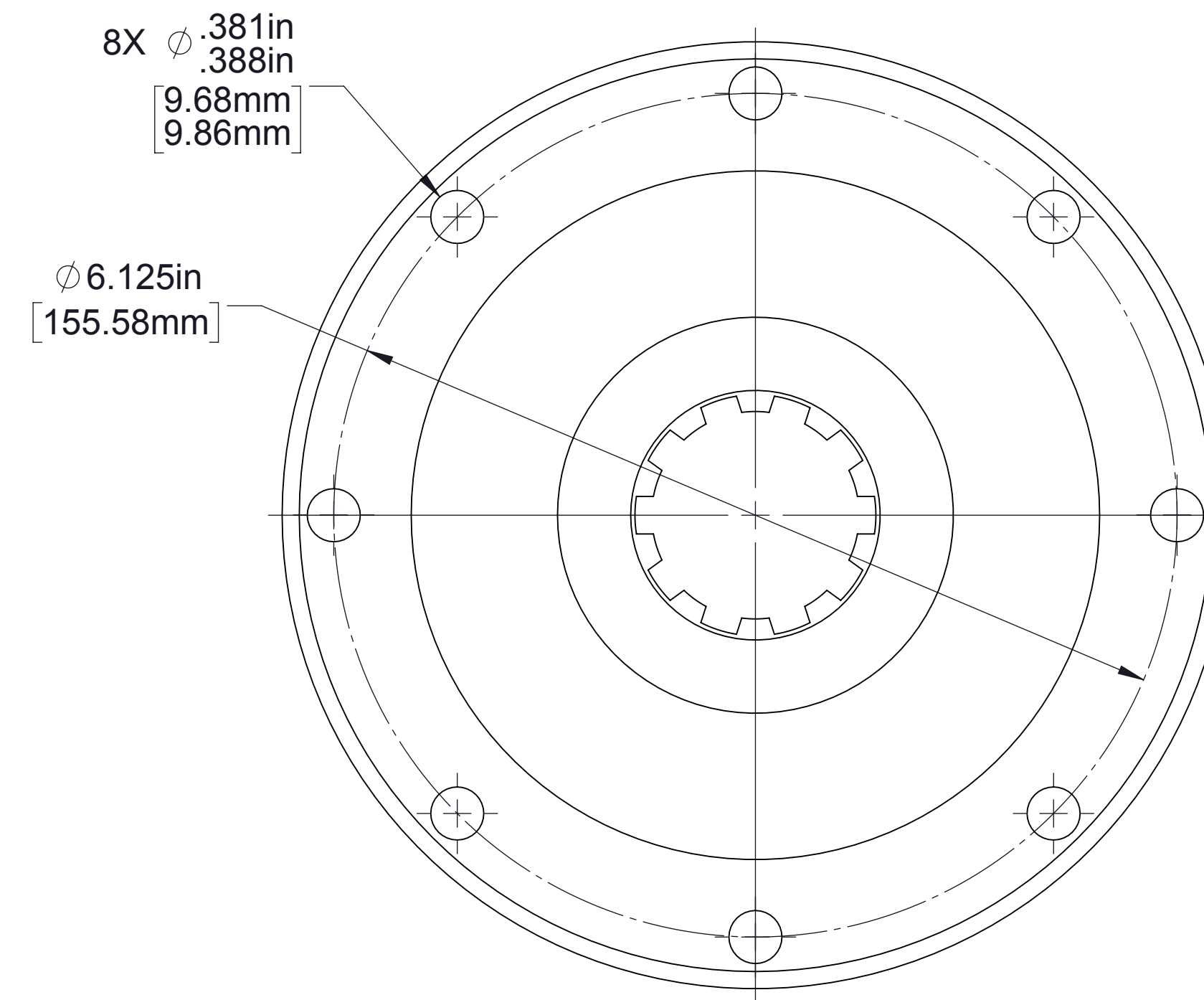
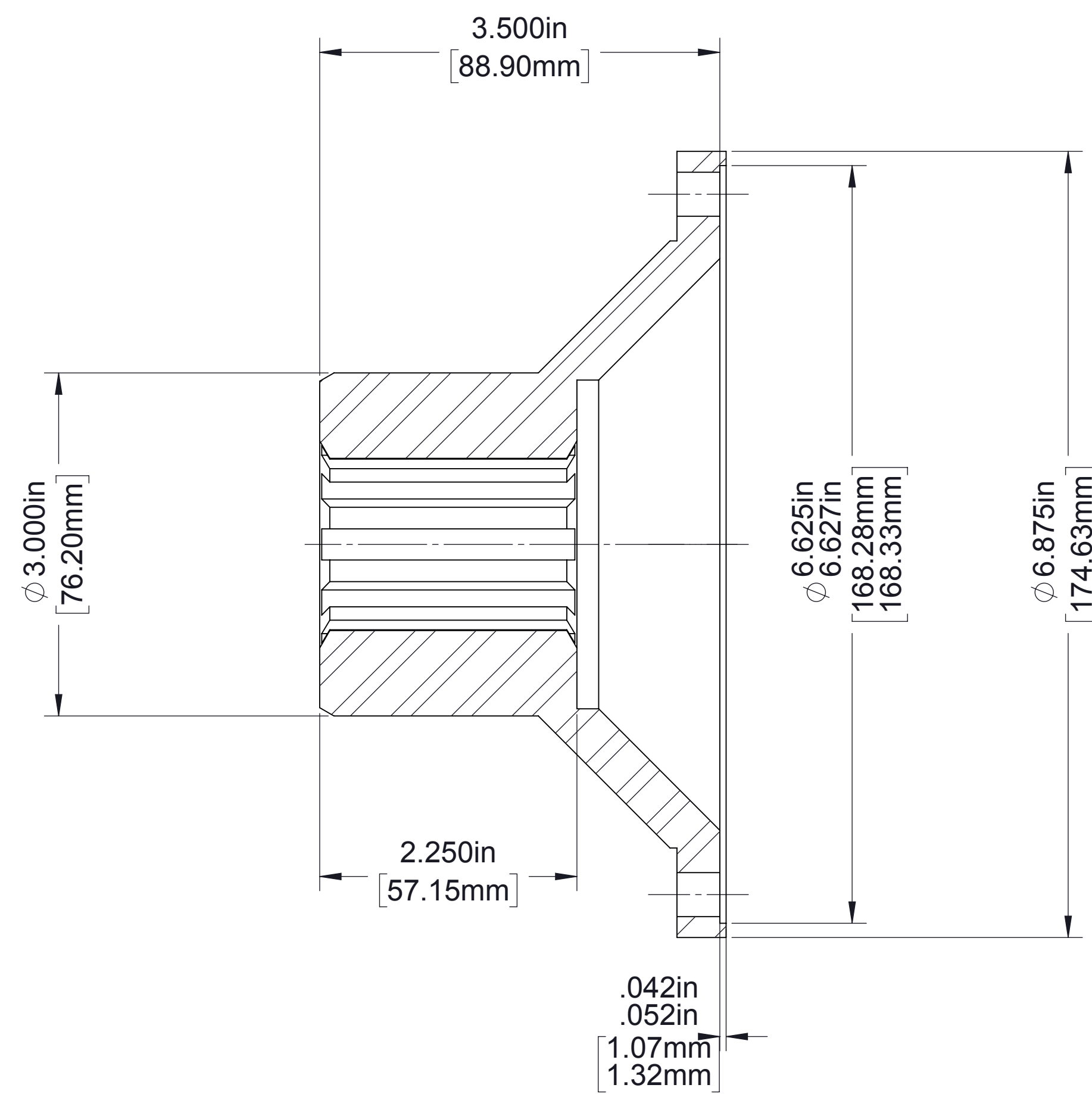
RIGHT (FIGURE 7)



DOWN (FIGURE 8)

DISCHARGE POSITIONS (CCW INPUT)

NOTE: POSITIONS ARE DEFINED AS VIEWED LOOKING AT INTAKE END OF PUMP.



OPTIONAL COMPANION FLANGE
1600/1610 SERIES PART NO.61320

ORDER INFORMATION

WHEN ORDERING FURNISH THE FOLLOWING INFORMATION:

1. PUMP MODEL: CRU-2 DIRECT DRIVE
2. INPUT ROTATION: CLOCKWISE (CW) OR COUNTER CLOCKWISE (CCW)
3. INTAKE SIDE BRACKET POSITION: VERTICAL OR INVERTED.
4. BEARING HOUSING BRACKET POSITION: VERTICAL OR INVERTED.
5. DISCHARGE POSITION: LEFT, UP, RIGHT OR DOWN.