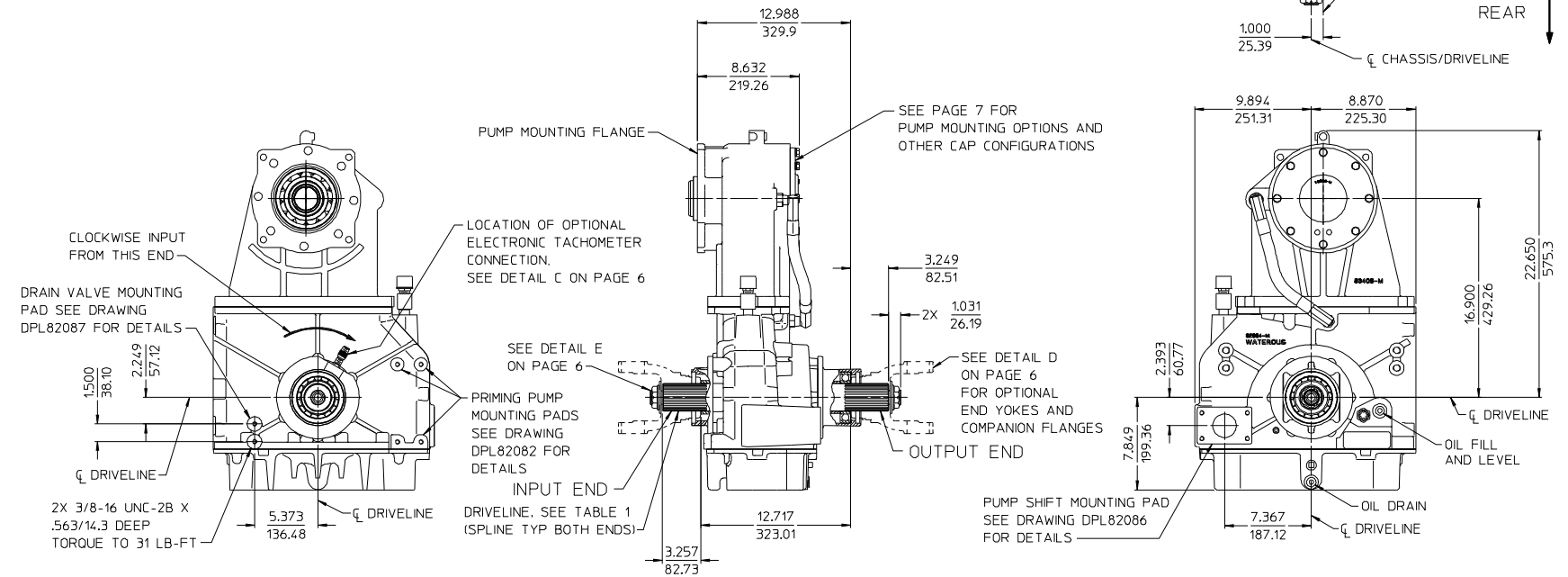


C21 Series Transmission Dimensional Drawings

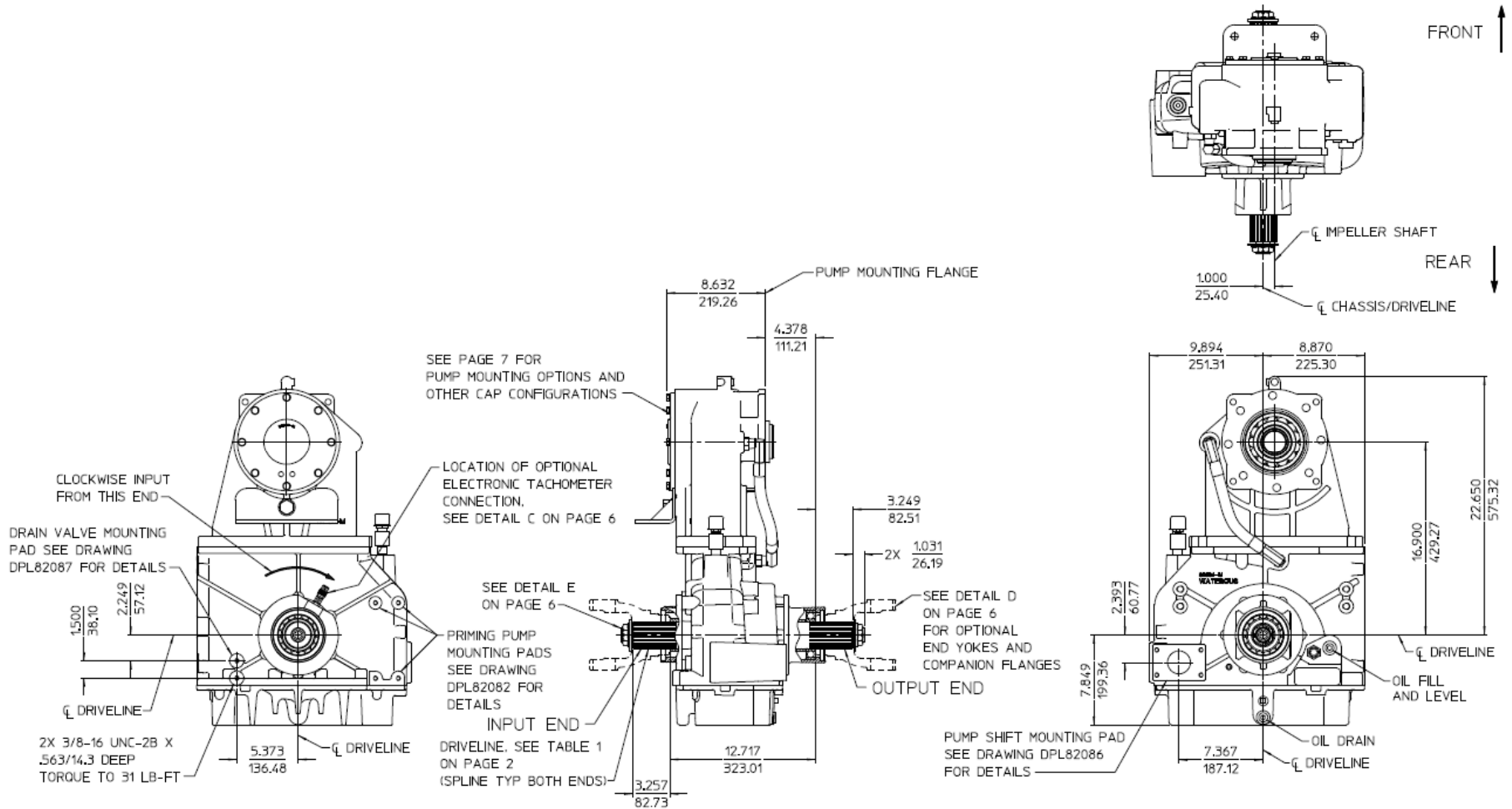
Item	See Page
Front Facing Configuration	2
Rear Facing Configuration	3
Mounting Bracket Attachment Location, Front Facing	4
Mounting Bracket Attachment Location, Rear Facing	5
Optional End Yokes and Companion Flanges	6
Electronic Tachometer Connection	
Optional Hydraulic Pump Mounting Provision	7

TABLE 1 - AVAILABLE DRIVELINE							
DRIVELINE			OPTIONAL END YOKES AND COMPANION FLANGES AVAILABLE FROM WATEROUS, SEE DETAIL D ON PAGE 6				
TYPE	SIZE	SPLINE	YOKE		CROSS AND BEARING KIT	COMPANION FLANGE	
			SPICER SERIES	PART NUMBER		SPICER SERIES	PART NUMBER
EXTRA HEAVY DUTY	2.35 INCH	2.350-46T INVOLUTE	1710 BP	V 2837	V 2839	1480/1610	V 3719
			1810 BP	V 2838	V 2840	1650/1710	V 3619
			1710 HR	V 4101	-	ISO 8667	63714
			1810 HR	V 4102	-	-	-
			SPL140	V 3388	V 3389	-	-



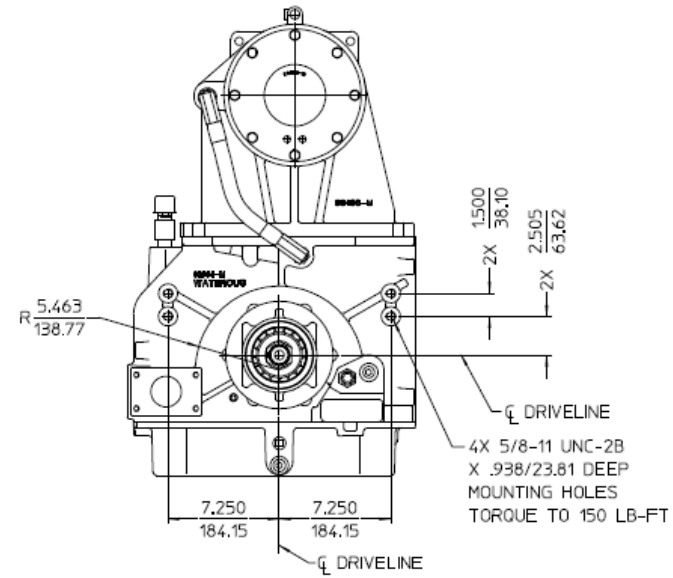
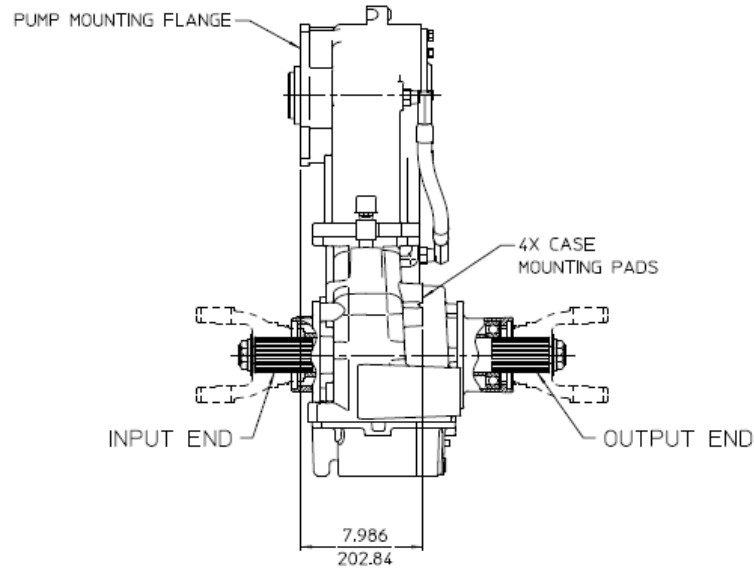
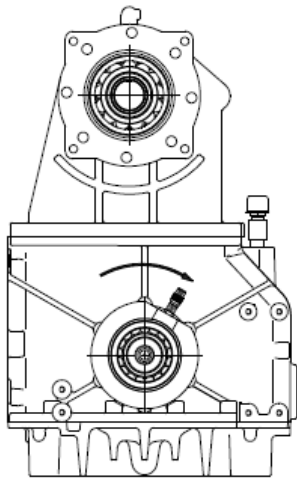
ALL DIMENSIONS SHOWN AS INCH/MILLIMETER
(INCH / MILLIMETER)

C21 MODEL
INPUT AND OUTPUT SHAFT
SPLIT SHAFT DRIVE, CLOCKWISE INPUT
PUMP MOUNTED ON FRONT (INPUT SHAFT SIDE) OF TRANSMISSION CONFIGURATION SHOWN
(C21 1.77 RATIO)



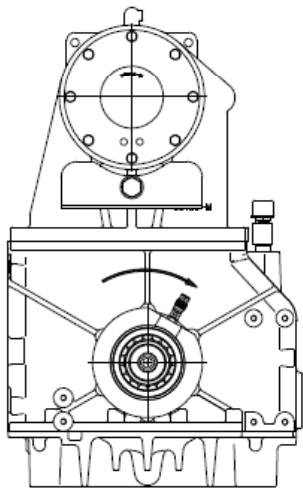
ALL DIMENSIONS SHOWN AS INCH/MILLIMETER
 INCH
 (MILLIMETER)

C21 MODEL
INPUT AND OUTPUT SHAFT
 SPLIT SHAFT DRIVE, CLOCKWISE INPUT
 PUMP MOUNTED ON REAR (OUTPUT SHAFT SIDE) OF TRANSMISSION CONFIGURATION SHOWN
 (C21 1.77 RATIO)

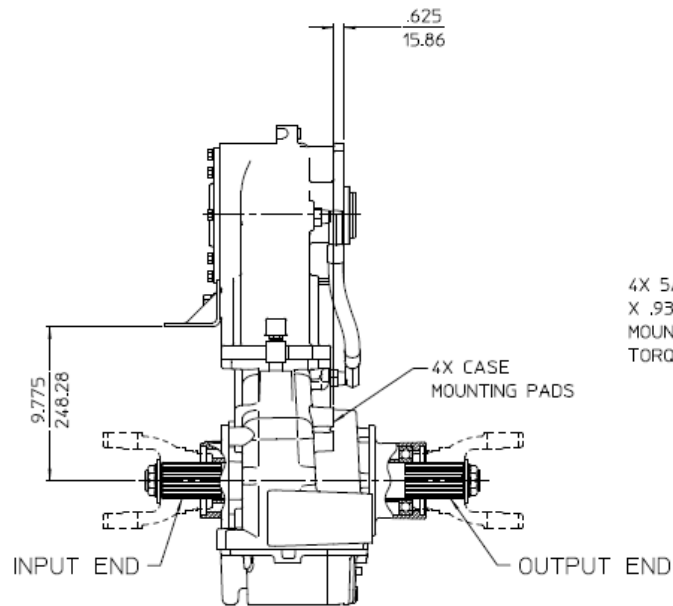


ALL DIMENSIONS SHOWN AS INCH/MILLIMETER
 INCH
 (MILLIMETER)

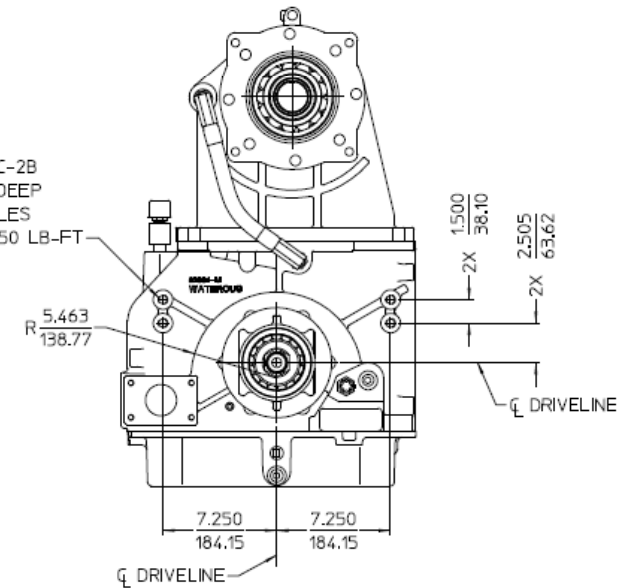
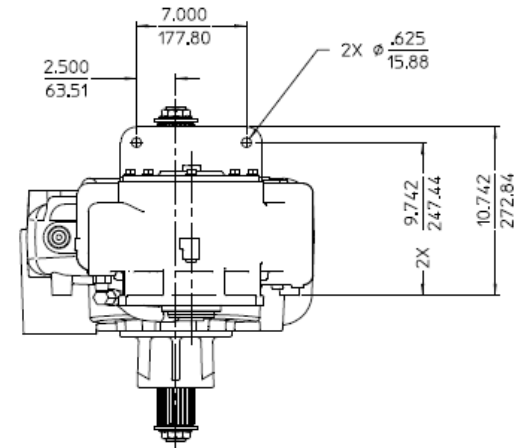
MOUNTING BRACKET ATTACHMENT LOCATIONS
FRONT MOUNTED (INPUT SIDE)

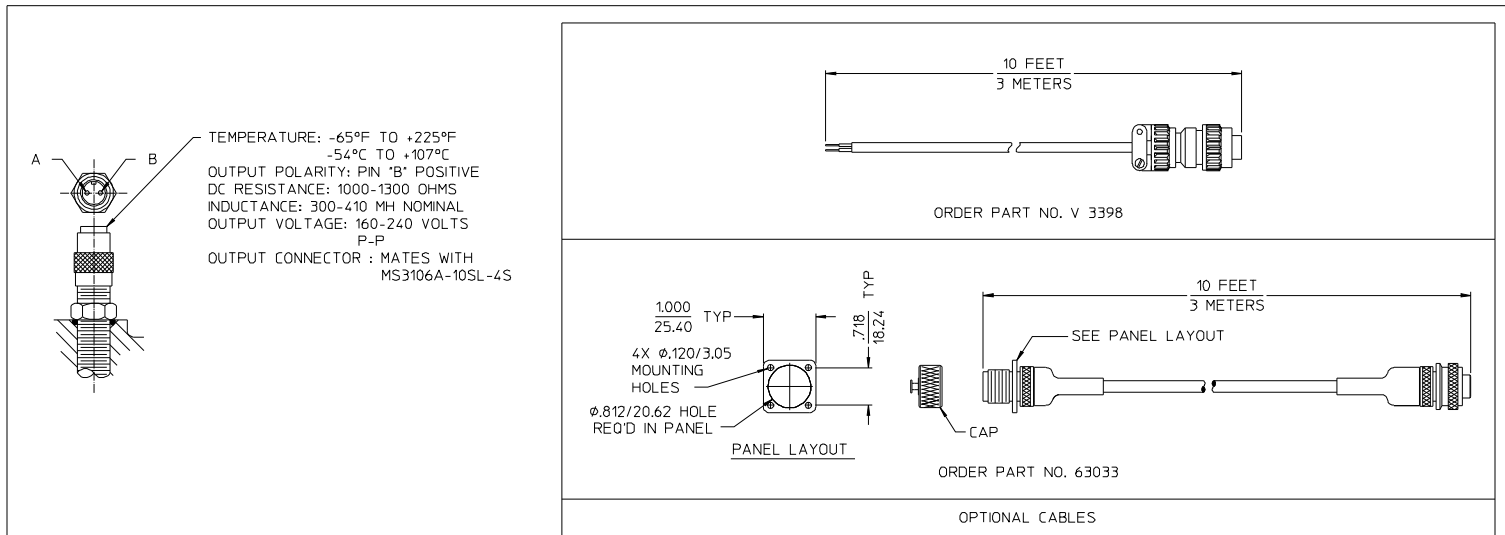


ALL DIMENSIONS SHOWN AS INCH/MILLIMETER
 (INCH / MILLIMETER)

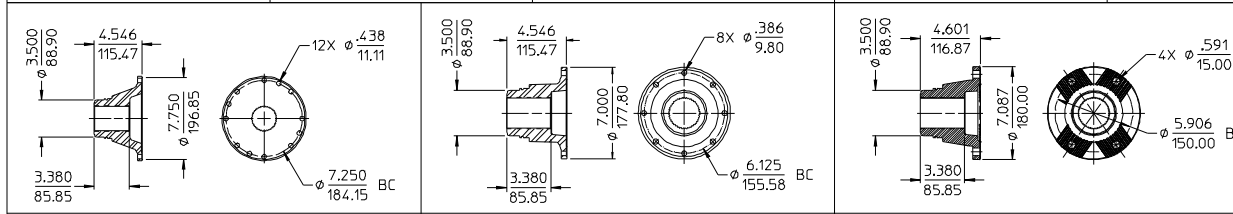
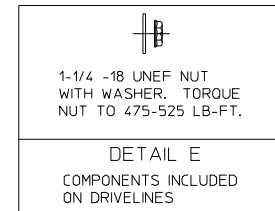
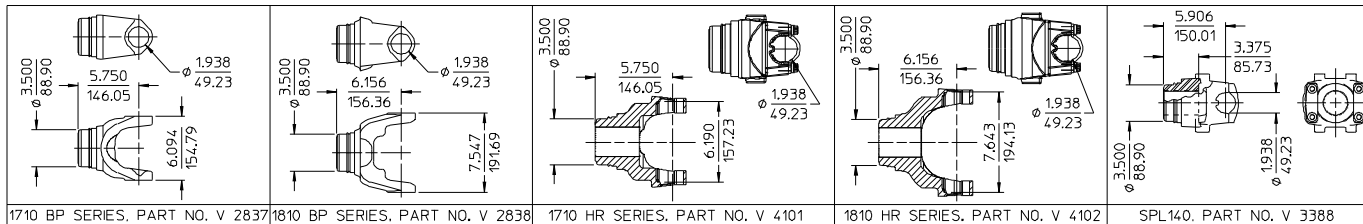


MOUNTING BRACKET ATTACHMENT LOCATIONS
REAR MOUNTED (OUTPUT SIDE)



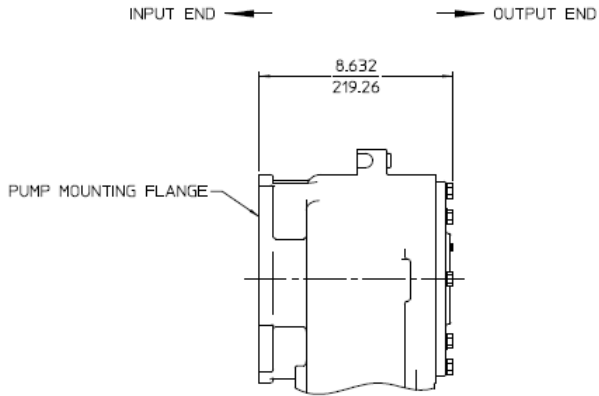


DETAIL C
 ELECTRONIC TACHOMETER CONNECTION

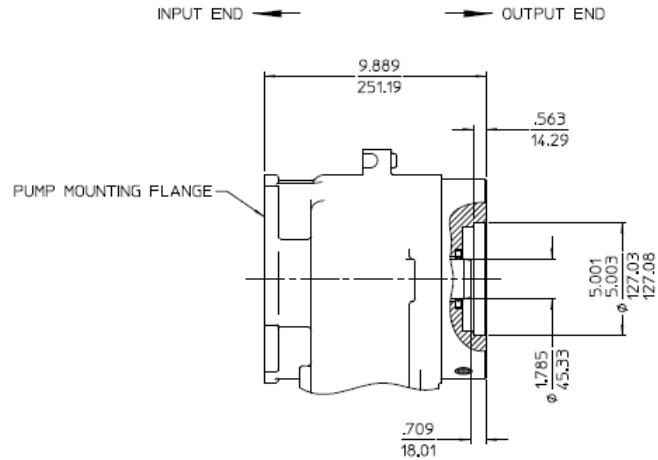


DETAIL D
 OPTIONAL END YOKES AND COMPANION FLANGES

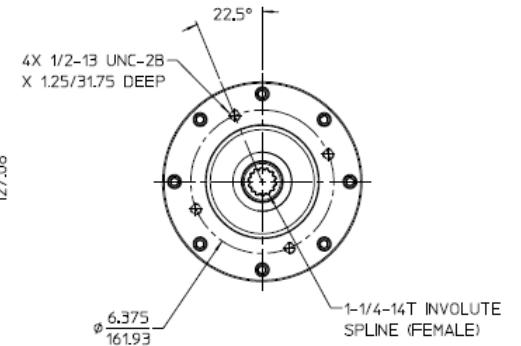
ALL DIMENSIONS SHOWN AS INCH/MILLIMETER
 (INCH
 MILLIMETER)



FRONT MOUNTED (INPUT SIDE)
WITHOUT SAE HYDRAULIC FLANGE

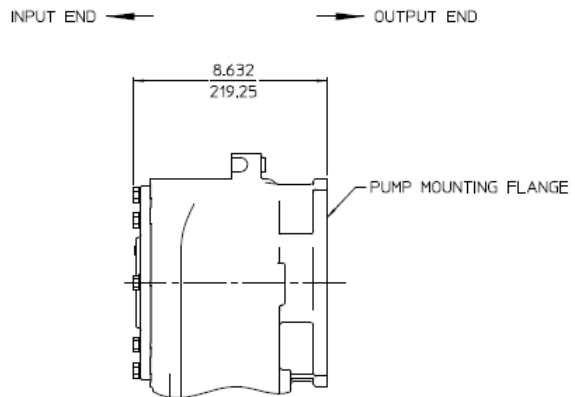


FRONT MOUNTED (INPUT SIDE)
WITH SAE HYDRAULIC FLANGE

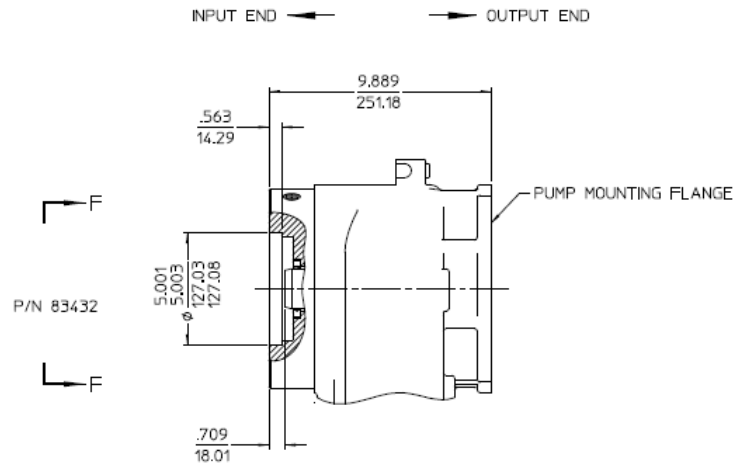


VIEW F-F
HYDRAULIC PUMP ADAPTER FLANGE

USED FOR SAE J744 CLASS C 4-BOLT
HYDRAULIC PUMP WITH MALE
1-1/4-14T 12/24 PITCH INVOLUTE SPLINE



REAR MOUNTED (OUTPUT SIDE)
WITHOUT SAE HYDRAULIC FLANGE



REAR MOUNTED (OUTPUT SIDE)
WITH SAE HYDRAULIC FLANGE

ALL DIMENSIONS SHOWN AS INCH/MILLIMETER
(INCH)
(MILLIMETER)

P/N 83432