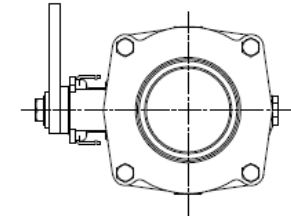
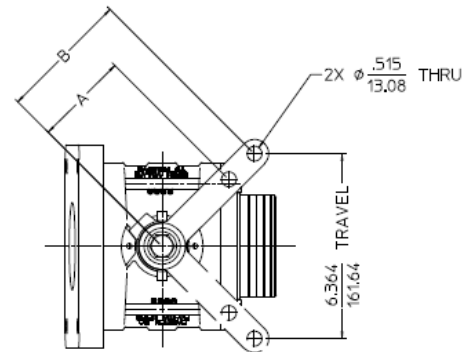
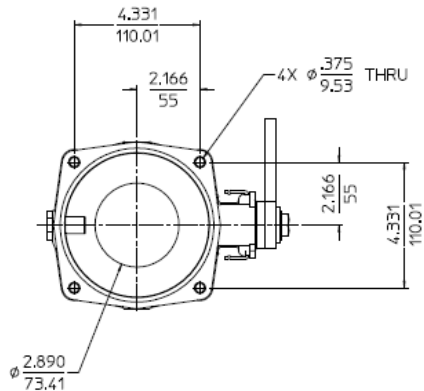


Manual Tank to Pump Valve Dimensional Drawings

Item		See Page
Valve Dimensions		2
Ordering Information		2
Available Fittings		3
Figure Numbers For Ordering: Handle Open/Closed Positions and Mounting (Stem) Positions	Akron Valve Fittings (Valve Part No. 83396-1A through 83396-1M)	4
	Elkhart Valve Fittings (Valve Part No. 83396-2A through 83396-2M)	5



VALVE		A	B
MANUFACTURER	PART NO.		
AKRON	83396-1A THRU -1M	3.250 82.55	4.500 114.30
ELKHART	LONG HANDLE 83396-2A THRU -2F 83396-2K & -2L	4.968 126.18	7.000 177.80
	SHORT HANDLE 83396-2G THRU -2J 83396-2M	3.250 82.55	4.500 114.30

NOTE:
WHEN ORDERING, SUPPLY THE FOLLOWING INFORMATION:

A. VALVE PART NUMBER 83396.

B. SUFFIXES WHICH INDICATE:

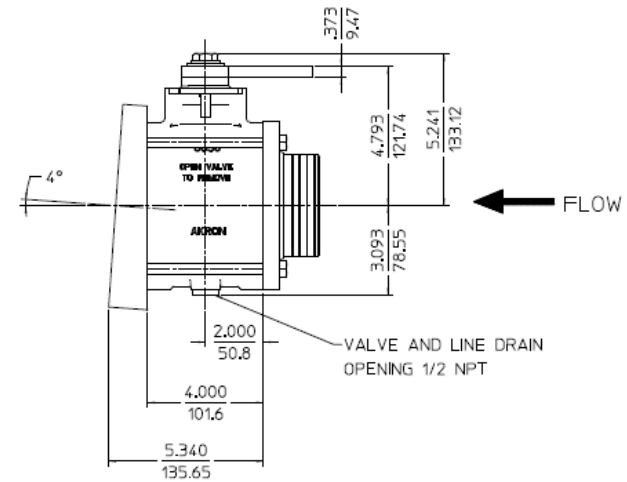
a. VALVE MANUFACTURER AND FITTING:

- AKRON
 - 1A THRU -1C: 3 IN. HOSE NIPPLE
 - 1D THRU -1F: 3 IN. FNPT
 - 1G THRU -1J: 3-1/2 IN. HOSE (SUTPHEN), MODEL S101 PUMPS
 - 1K THRU -1M: 3-1/2 IN. HOSE (SUTPHEN), MODEL CM & CS PUMPS
- ELKHART
 - 2A THRU -2C: 3 IN. HOSE NIPPLE
 - 2D THRU -2F: 3 IN. FNPT
 - 2G THRU -2J: 3-1/2 IN. HOSE (SUTPHEN), MODEL S101 PUMPS
 - 2K THRU -2M: 3-1/2 IN. HOSE (SUTPHEN), MODEL CM & CS PUMPS

b. HANDLE OPEN/CLOSED POSITION AND MOUNTING (STEM) POSITION:

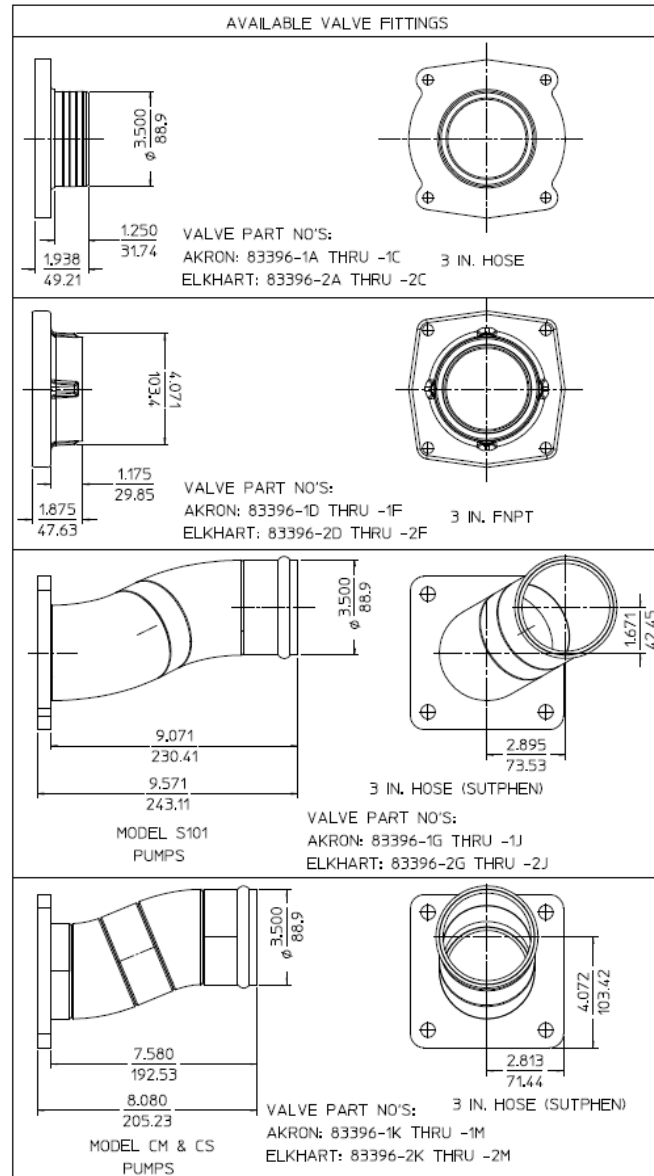
AKRON VALVES-SEE PAGE 3

ELKHART VALVES-SEE PAGE 4

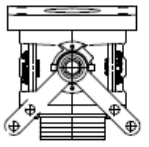
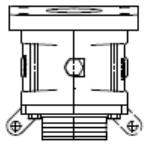
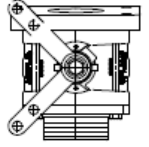
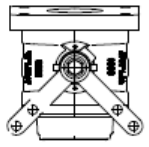
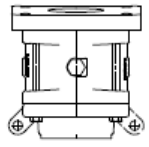
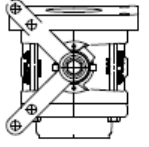


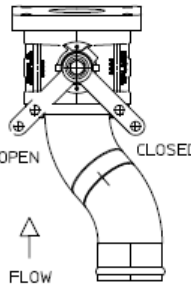
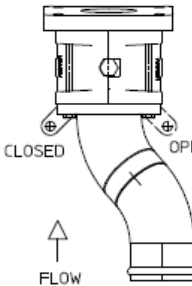
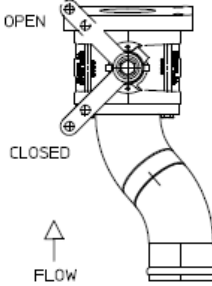
ALL DIMENSIONS SHOWN
AS INCH/MILLIMETER

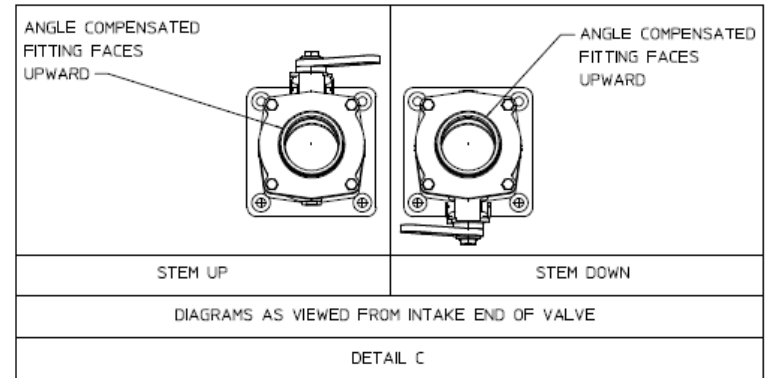
(INCH
MILLIMETER)



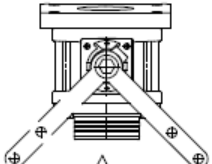
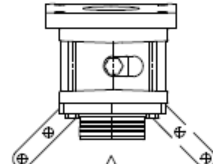
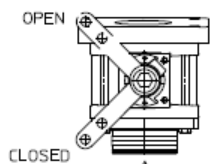
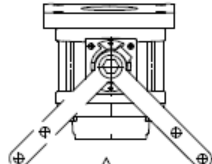
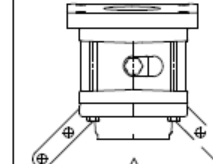
AKRON VALVES

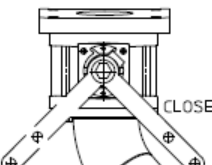
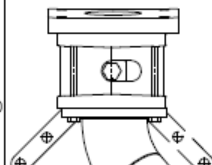
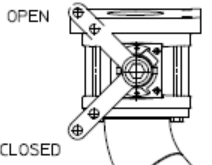
	PART NUMBER SUFFIX					
	FIGURE 1 	FIGURE 2 	OPEN FIGURE 3 	FIGURE 1 	FIGURE 2 	OPEN FIGURE 3 
STEM MOUNTING POSITION SEE DETAIL C	OPEN ↑ FLOW CLOSED	CLOSED ↑ FLOW OPEN	CLOSED ↑ FLOW OPEN	OPEN ↑ FLOW CLOSED	CLOSED ↑ FLOW OPEN	CLOSED ↑ FLOW OPEN
STEM UP	1A	NOT AVAILABLE	1C	1D	NOT AVAILABLE	1F
STEM DOWN	NOT AVAILABLE	1B	NOT AVAILABLE	NOT AVAILABLE	1E	NOT AVAILABLE

		PART NUMBER SUFFIX		
		FIGURE 1 	FIGURE 2 	OPEN FIGURE 3 
PUMP MODEL	STEM MOUNTING POSITION SEE DETAIL C	OPEN ↑ FLOW CLOSED	CLOSED ↑ FLOW OPEN	CLOSED ↑ FLOW OPEN
S101	STEM UP	1G	NOT AVAILABLE	1J
	STEM DOWN	NOT AVAILABLE	1H	NOT AVAILABLE
CM/CS	STEM UP	1K	NOT AVAILABLE	1L
	STEM DOWN	NOT AVAILABLE	1M	NOT AVAILABLE



ELKHART VALVES

PART NUMBER SUFFIX						
STEM MOUNTING POSITION SEE DETAIL C	LONG HANDLE		SHORT HANDLE	LONG HANDLE		SHORT HANDLE
	FIGURE 1	FIGURE 2	FIGURE 3	FIGURE 1	FIGURE 2	FIGURE 3
	STEM UP					
STEM DOWN	NOT AVAILABLE	2B	NOT AVAILABLE	NOT AVAILABLE	2D	NOT AVAILABLE

PUMP MODEL		PART NUMBER SUFFIX		
		LONG HANDLE		SHORT HANDLE
		FIGURE 1	FIGURE 2	FIGURE 3
S101	STEM UP			
	STEM DOWN	NOT AVAILABLE	2F	NOT AVAILABLE
CM/CS	STEM UP	2K	NOT AVAILABLE	2M
	STEM DOWN	NOT AVAILABLE	2L	NOT AVAILABLE

