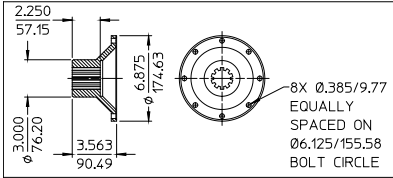
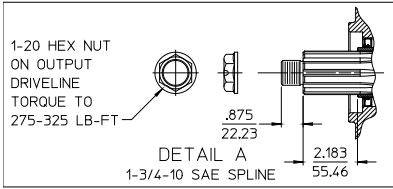




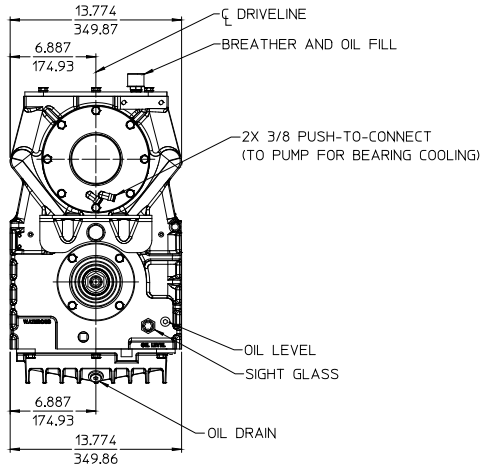
Document Number	Issue Date	Rev. Date
DPL83425	04/04/14	12/11/19

Dimensional Drawings for TQC Series PTO's

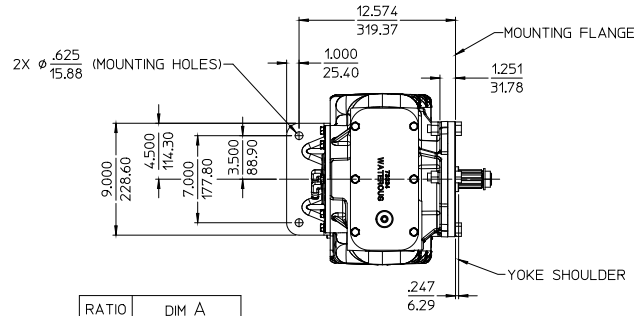
Input Rotation <i>(As viewed looking at Input Shaft)</i>	Output Shaft		See Page
	Location	Rotation <i>(As viewed looking at Output Shaft)</i>	
CW or CCW	Opposite Side of Input Shaft	Opposite Rotation of Input Shaft	2
	Same Side as Input Shaft	Same as Input Shaft Rotation	3



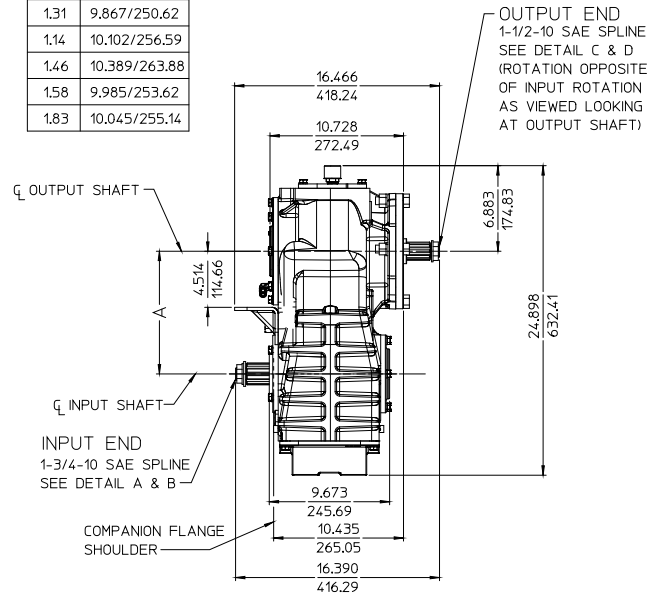
1610 SERIES, PART NO. 61320
FOR 1-3/4-10 SPLINED INPUT DRIVE LINE
DETAIL B
OPTIONAL COMPANION FLANGE



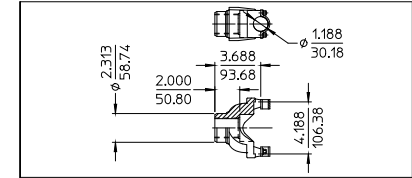
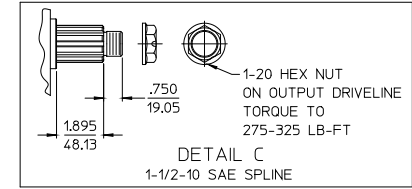
ALL DIMENSIONS SHOWN AS INCH/MILLIMETER
(INCH / MILLIMETER)



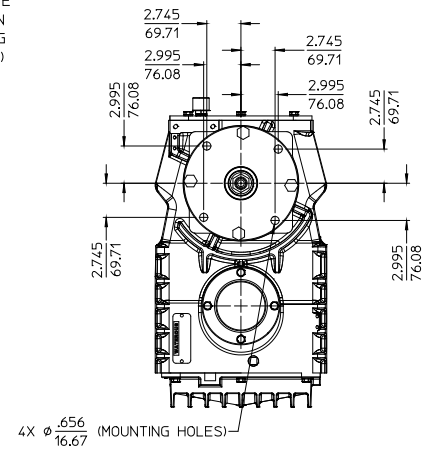
RATIO	DIM A
1.31	9.867/250.62
1.14	10.102/256.59
1.46	10.389/263.88
1.58	9.985/253.62
1.83	10.045/255.14

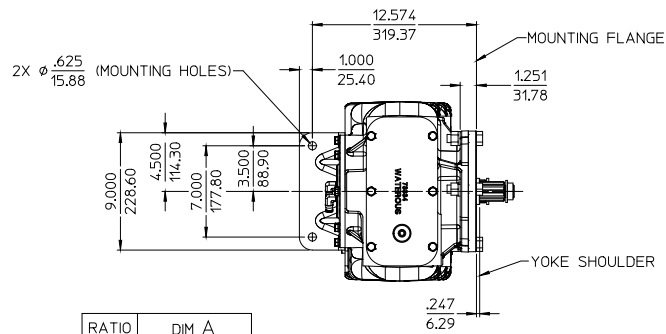


TQC P.T.O. ASSEMBLY
OUTPUT SHAFT ON OPPOSITE
SIDE OF INPUT SHAFT
CW OR CCW INPUT (1.31 RATIO SHOWN)

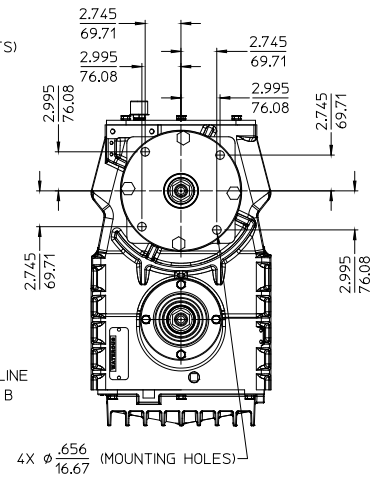
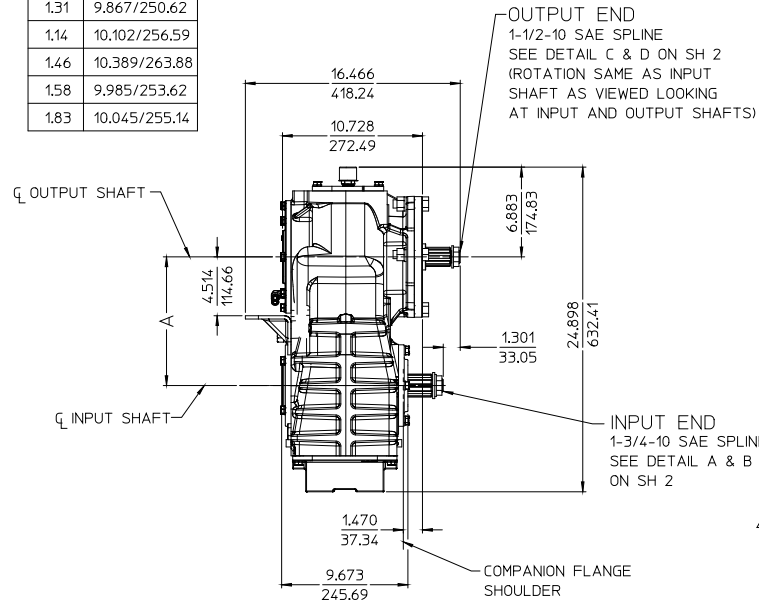
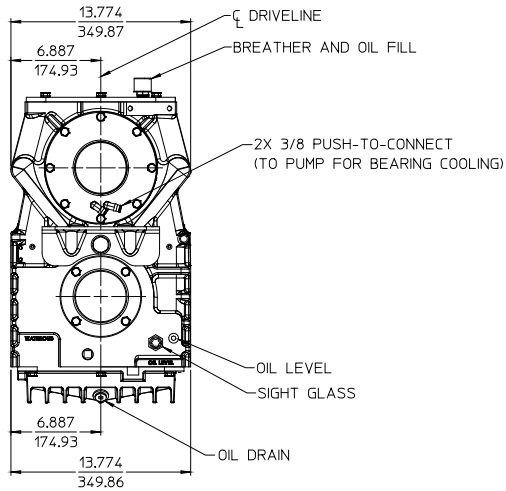


1410 SERIES, PART NO. V 2861
FOR 1-1/2-10 SPLINED INPUT DRIVE LINE
DETAIL D
OPTIONAL END YOKE





RATIO	DIM A
1.31	9.867/250.62
1.14	10.102/256.59
1.46	10.389/263.88
1.58	9.985/253.62
1.83	10.045/255.14



ALL DIMENSIONS SHOWN AS INCH/MILLIMETER
 (INCH / MILLIMETER)

TQC P.T.O. ASSEMBLY
 OUTPUT SHAFT ON SAME
 SIDE AS INPUT SHAFT
 CW OR CCW INPUT (1.31 RATIO SHOWN)