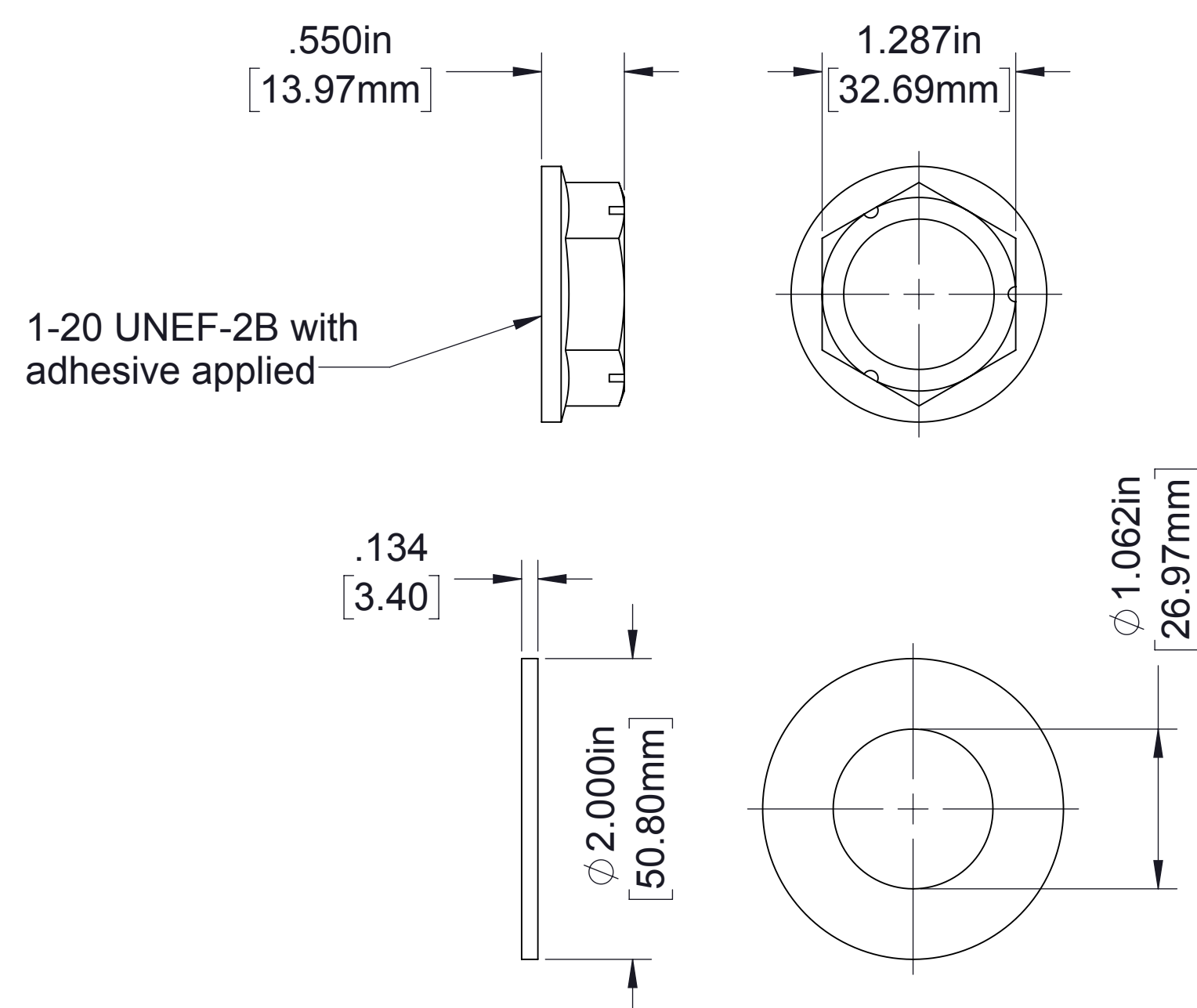
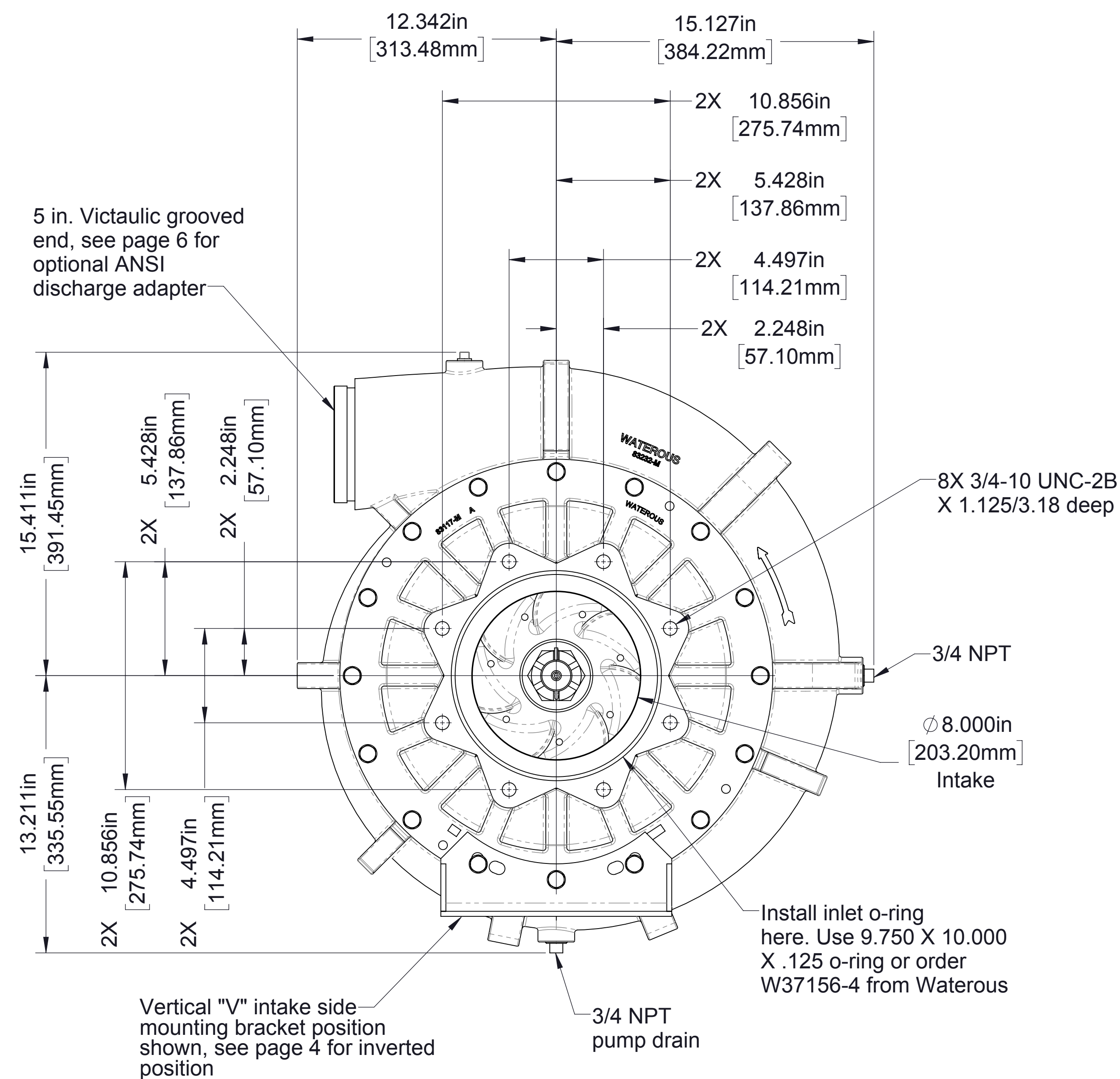
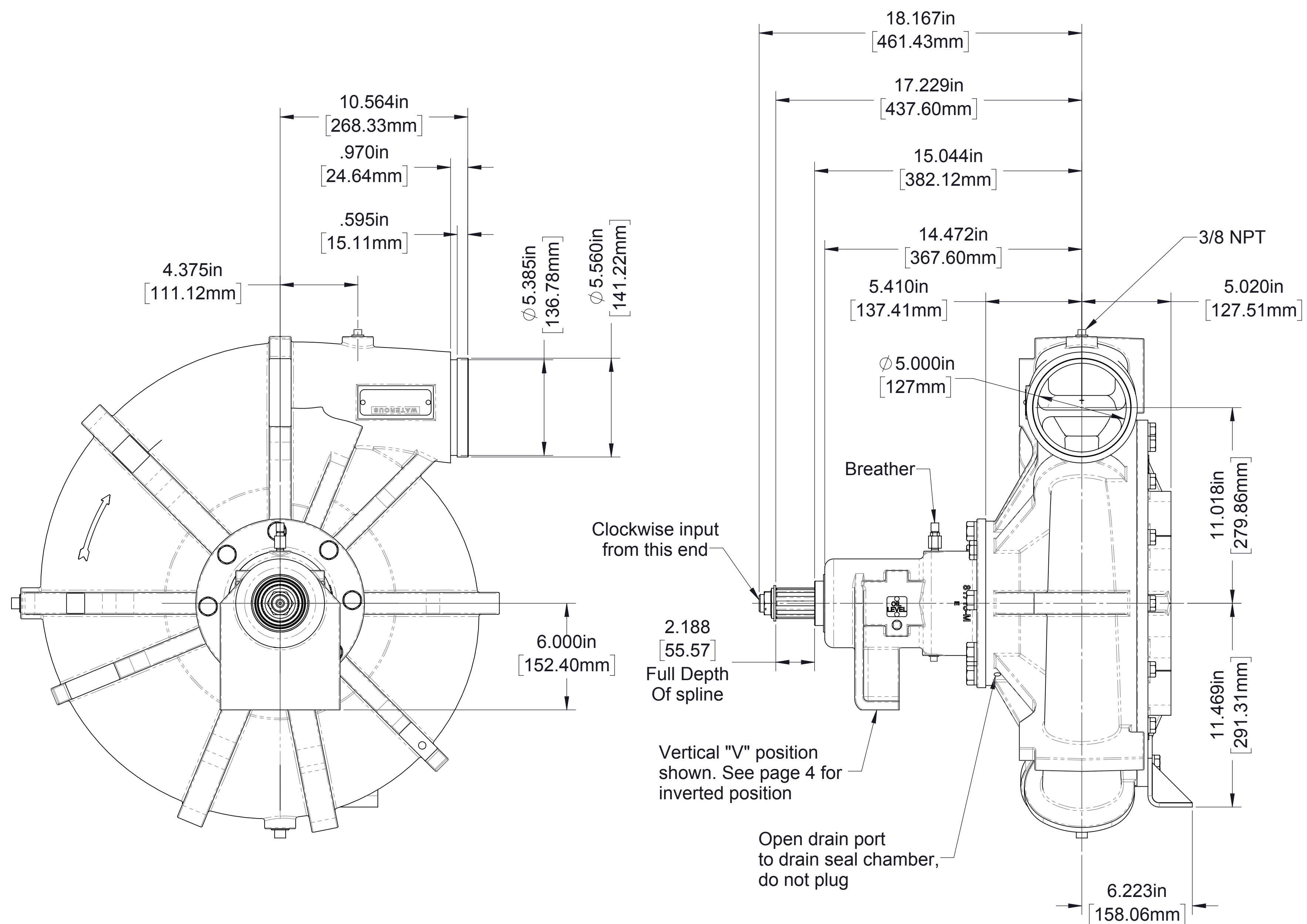


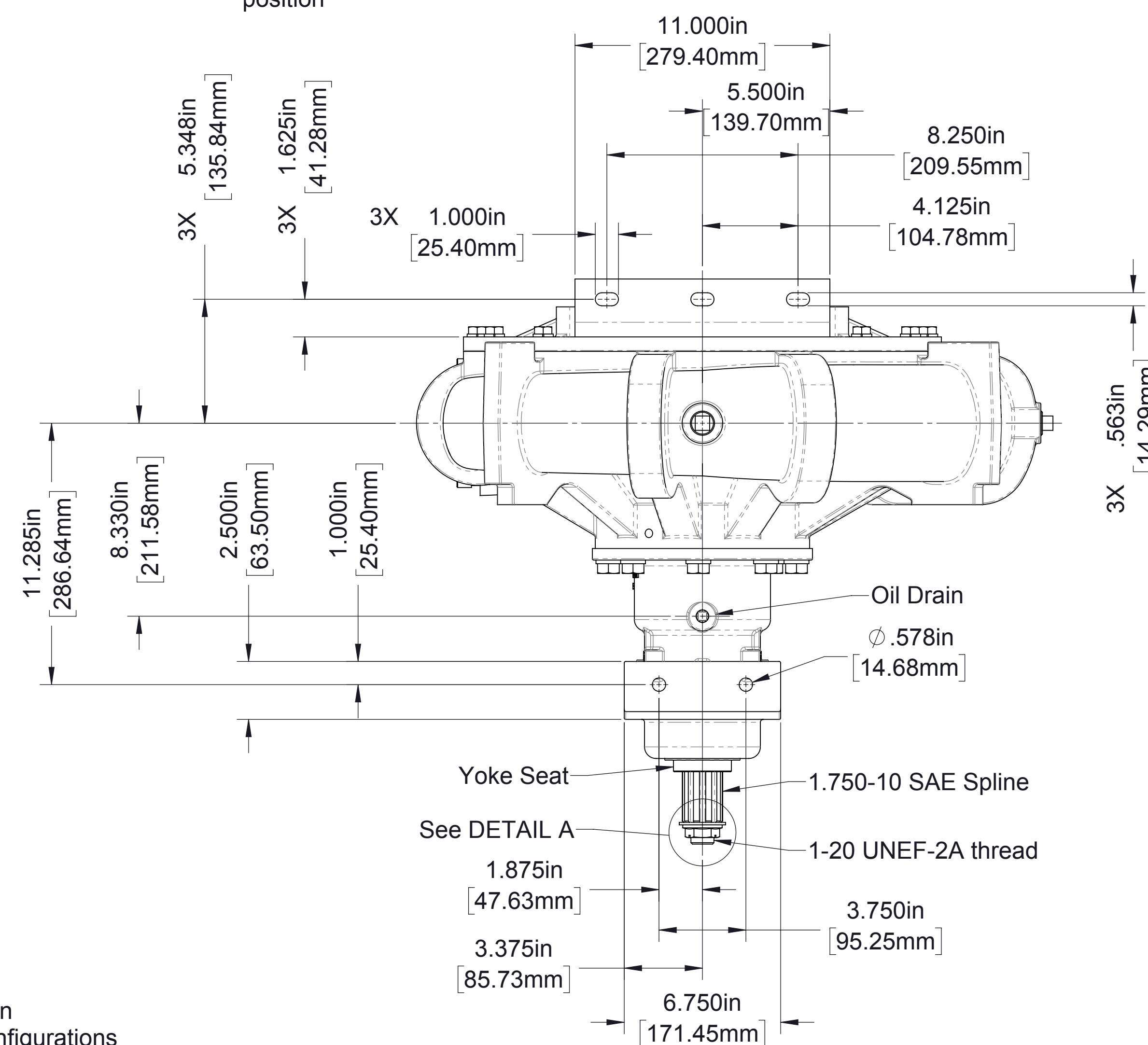
Model CRU-1 Fire Pump Dimensional Drawings

Index:

Item		See Page
Pump Dimensions	Iron	2
	Bronze	3
Mounting Bracket Positions		4
Discharge Positions		5
Optional Discharge Adapter		6
Optional Companion Flanges		6
Ordering Information		6

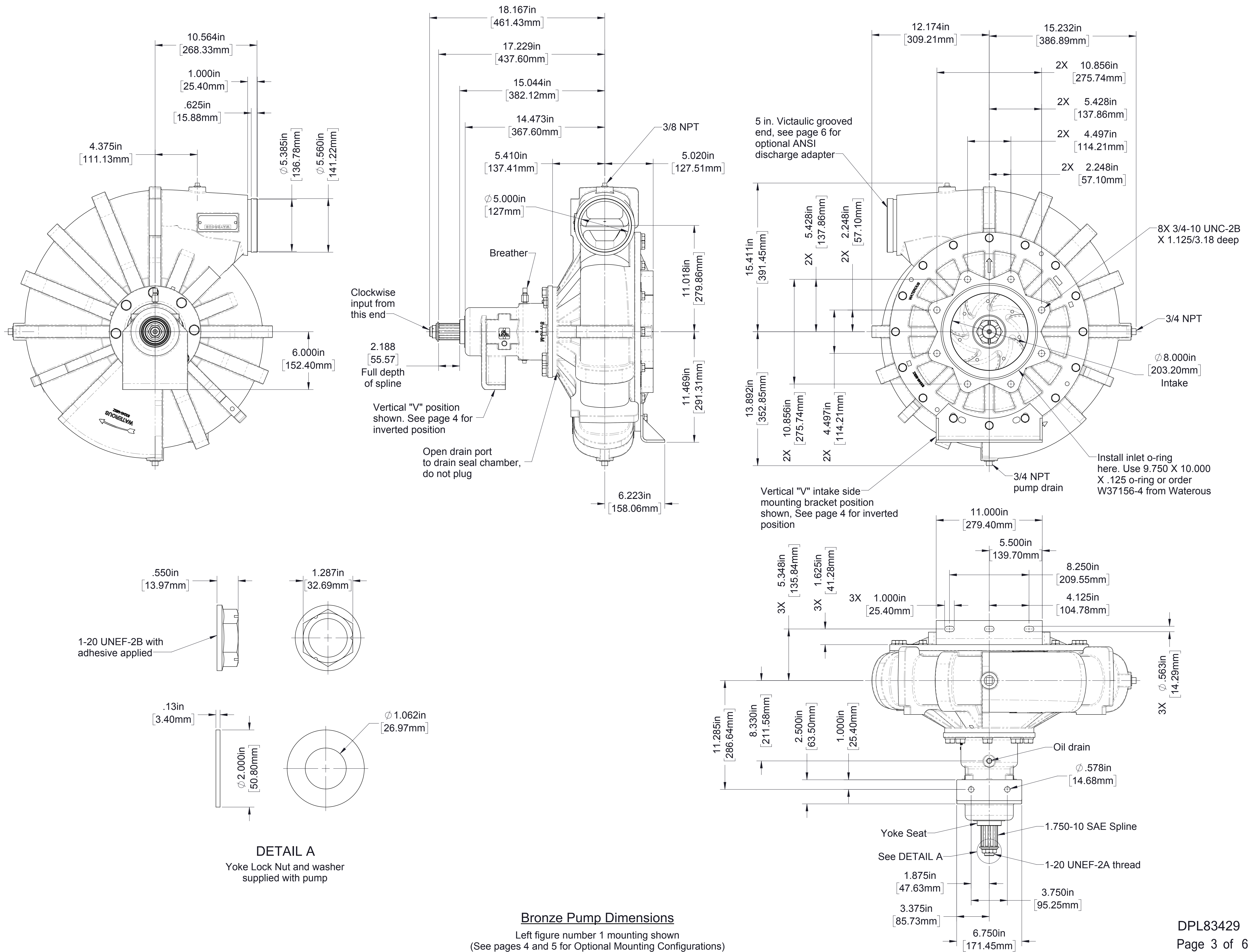


DETAIL A
Yoke lock nut and washer
supplied with pump



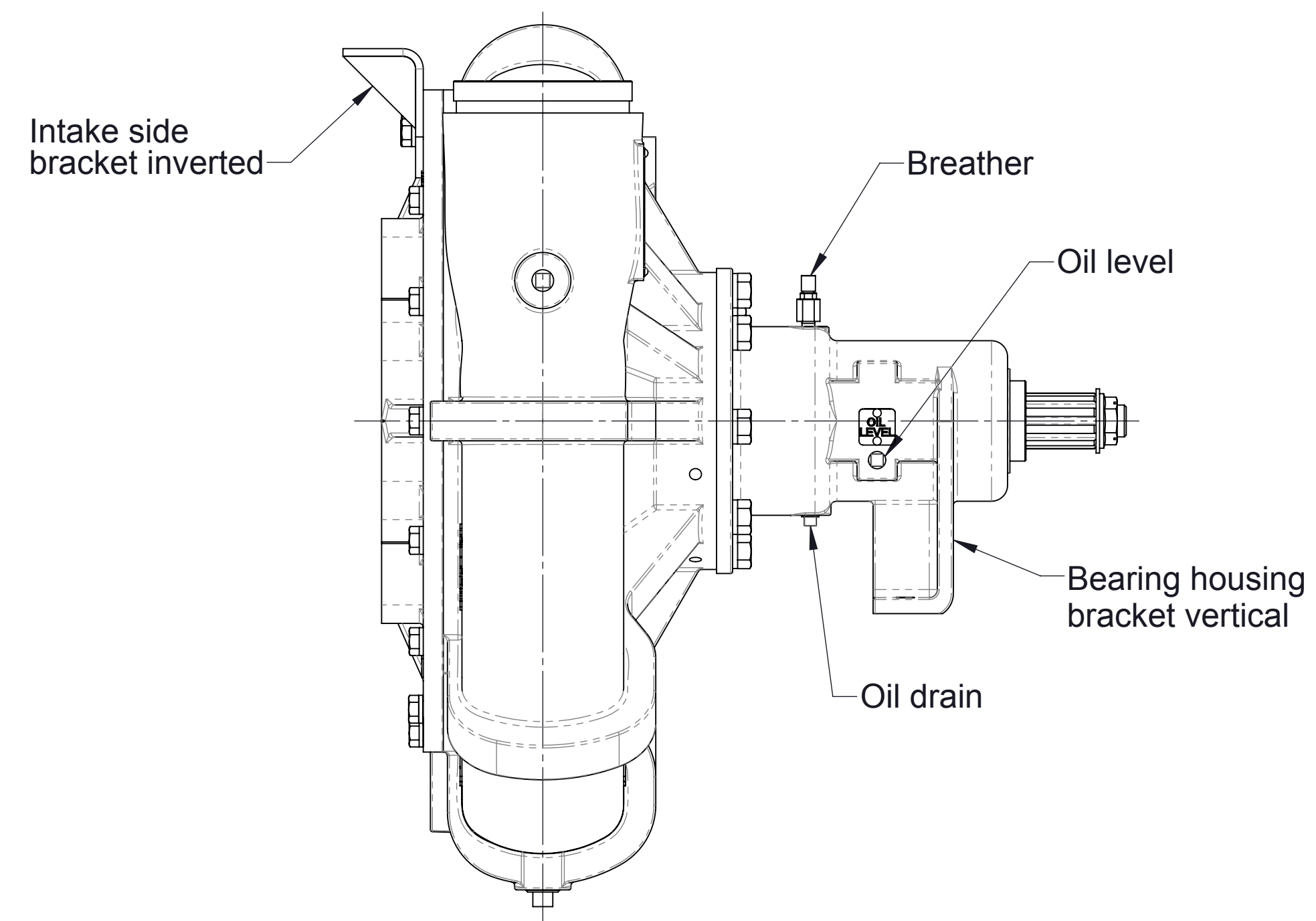
Iron Pump Dimensions

Left figure number 1 mounting shown
(See pages 4 and 5 for Optional Mounting Configurations)

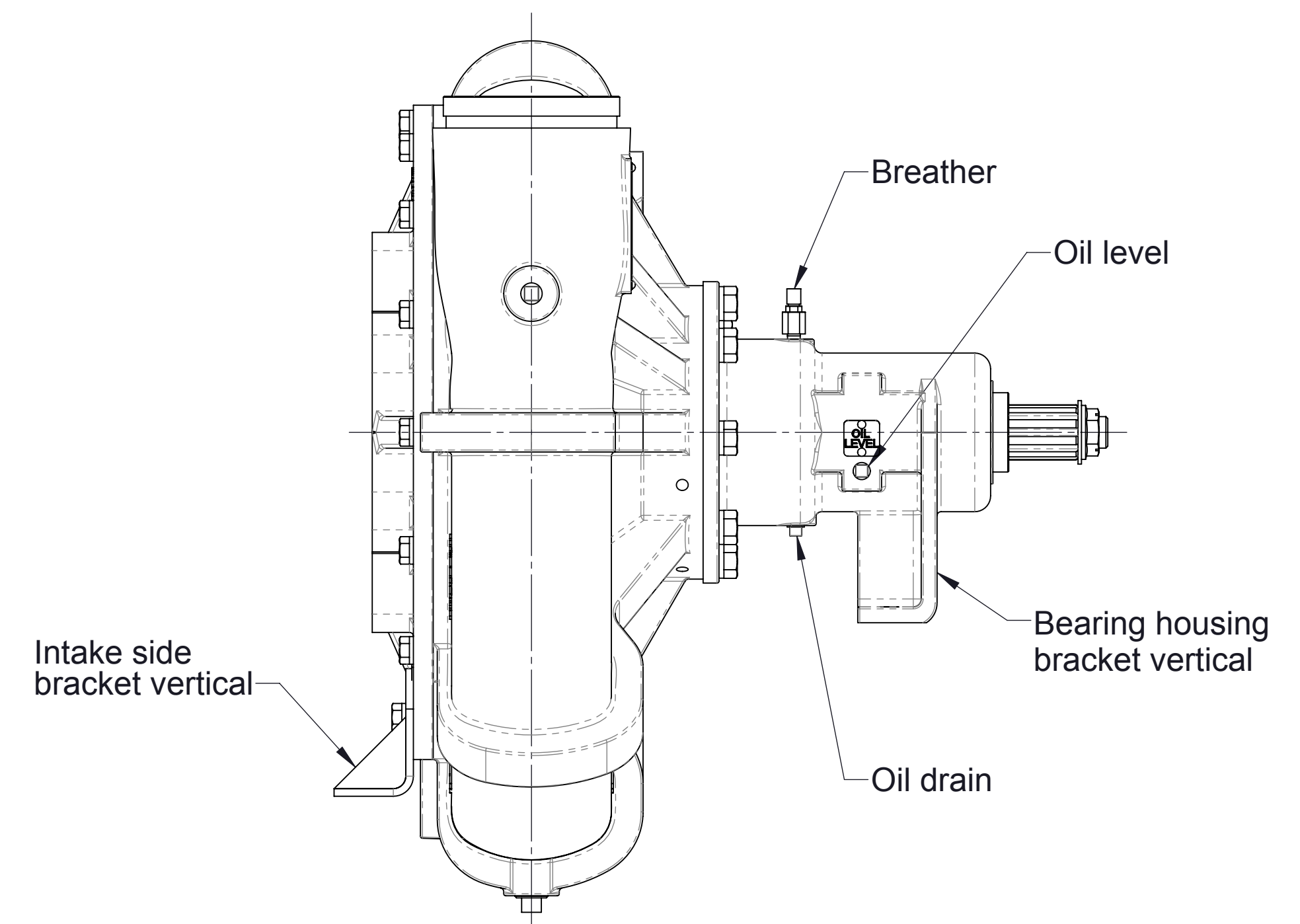


Bronze Pump Dimensions

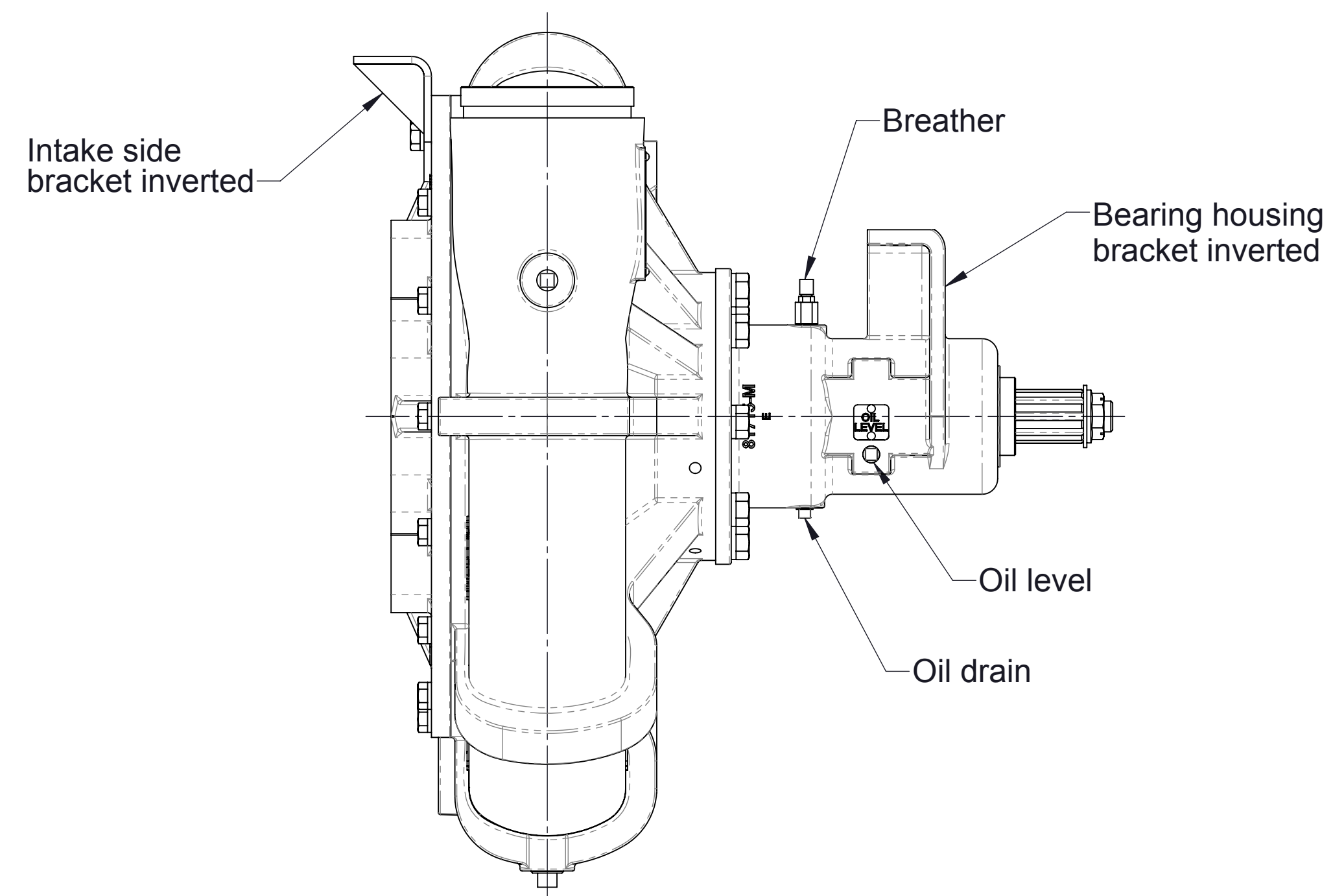
Left figure number 1 mounting shown
(See pages 4 and 5 for Optional Mounting Configurations)



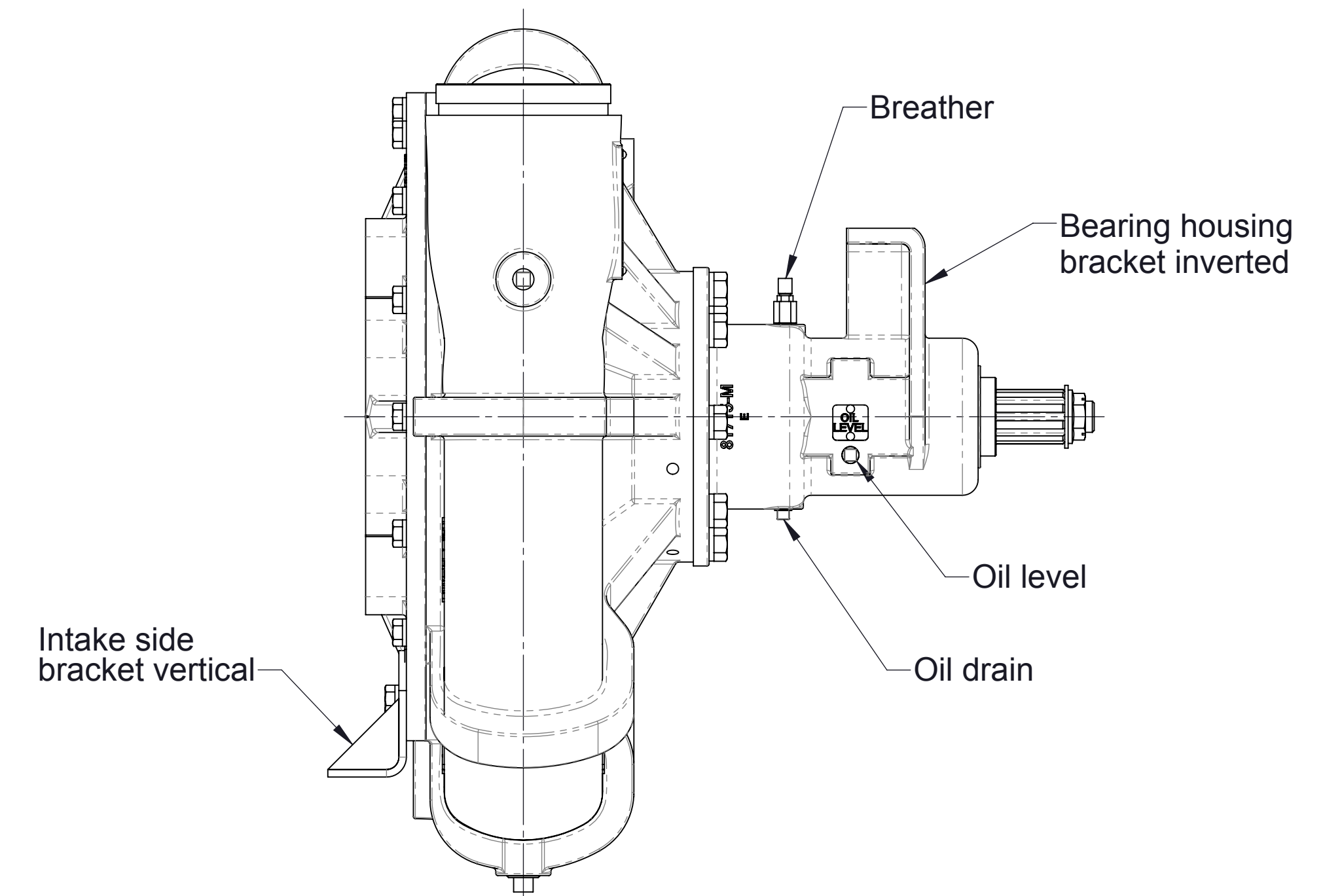
UV Inverted / Vertical



VV Vertical / Vertical



UU Inverted / Inverted



VU Vertical / Inverted

Available Mounting Bracket Positions

Note: First letter identifies intake side bracket mounting
second letter identifies bearing housing bracket mounting.

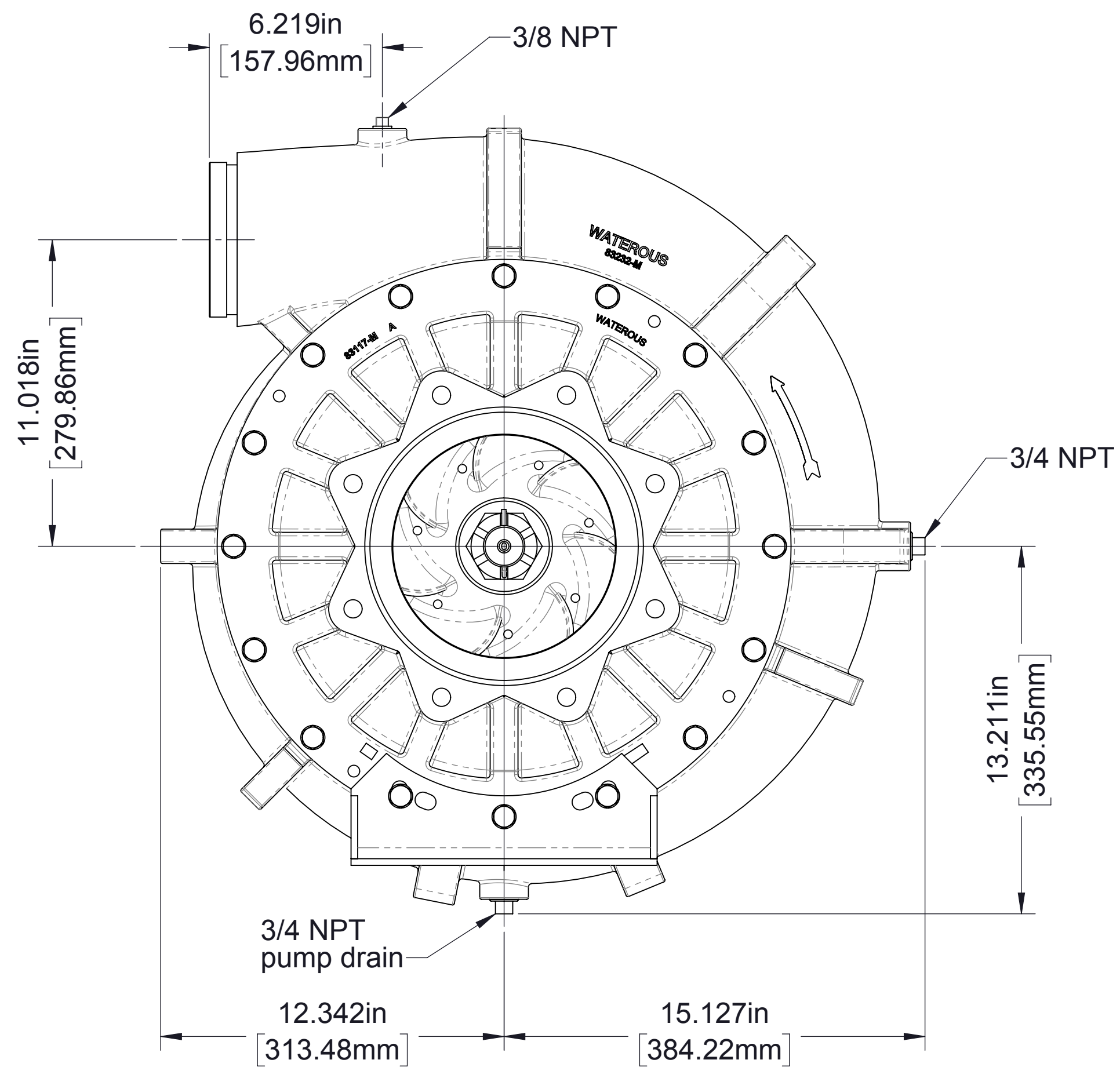


Figure 1, Left, Iron Pump

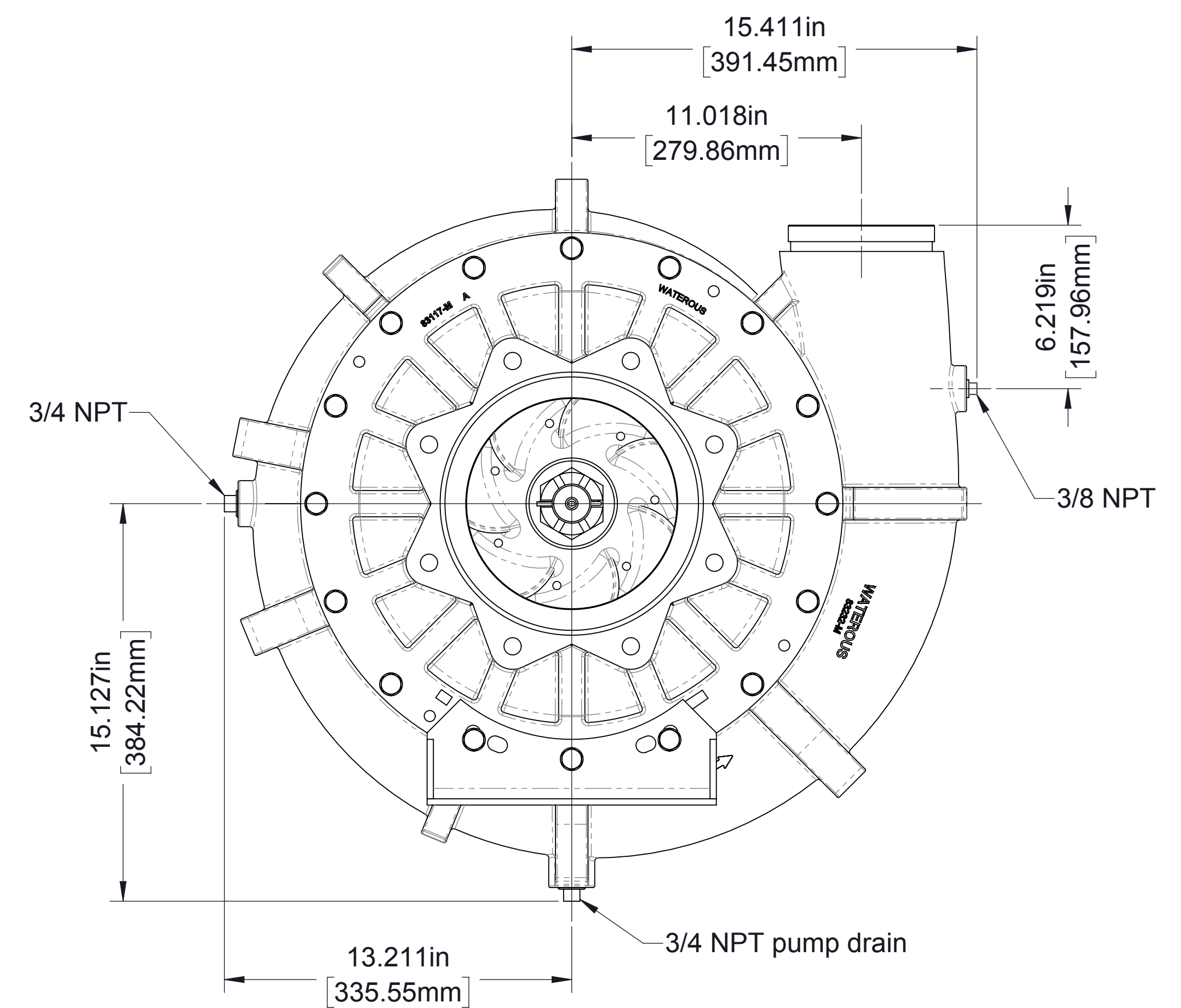


Figure 2, Up, Iron Pump

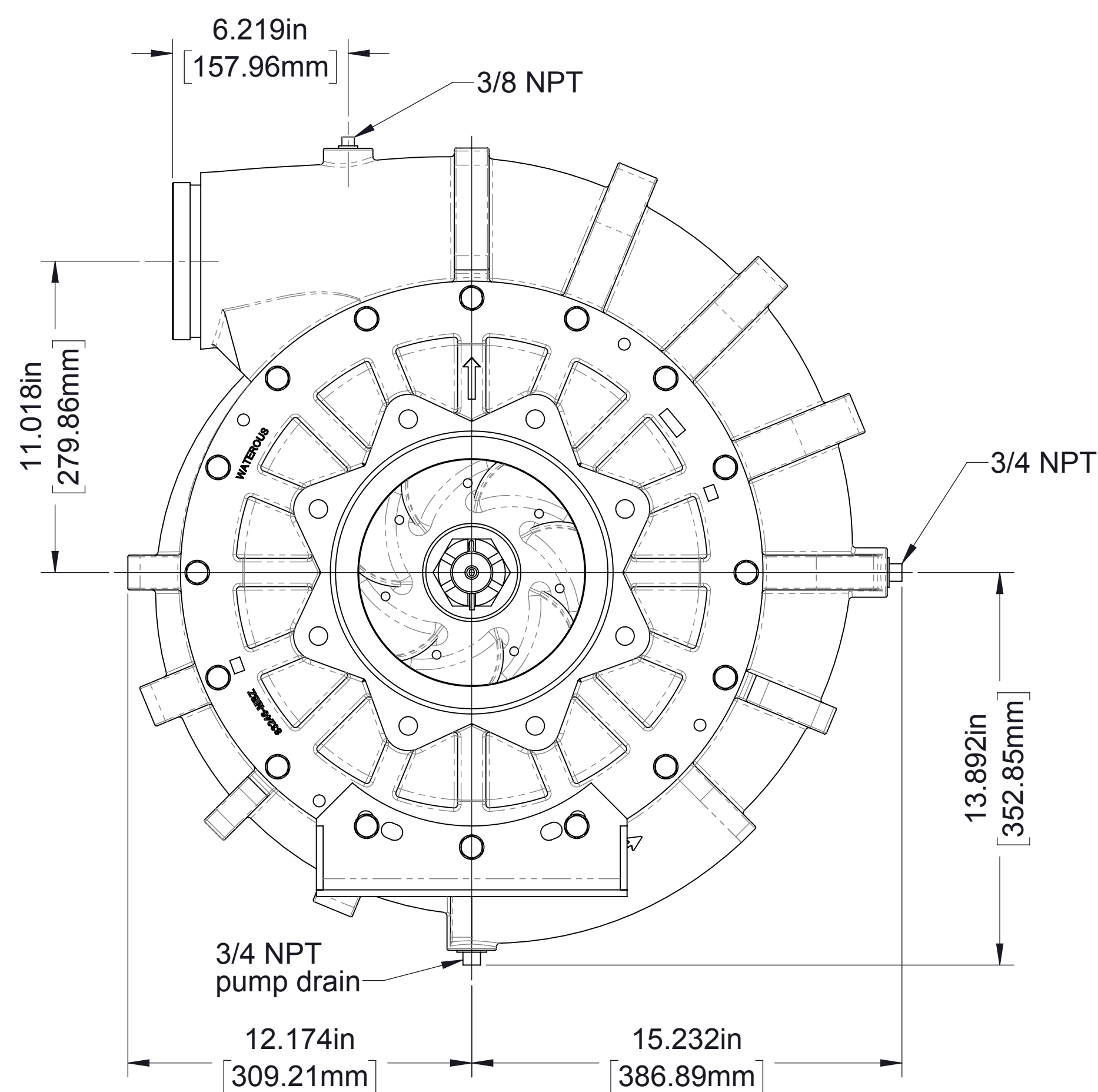


Figure 1, Left, Bronze Pump

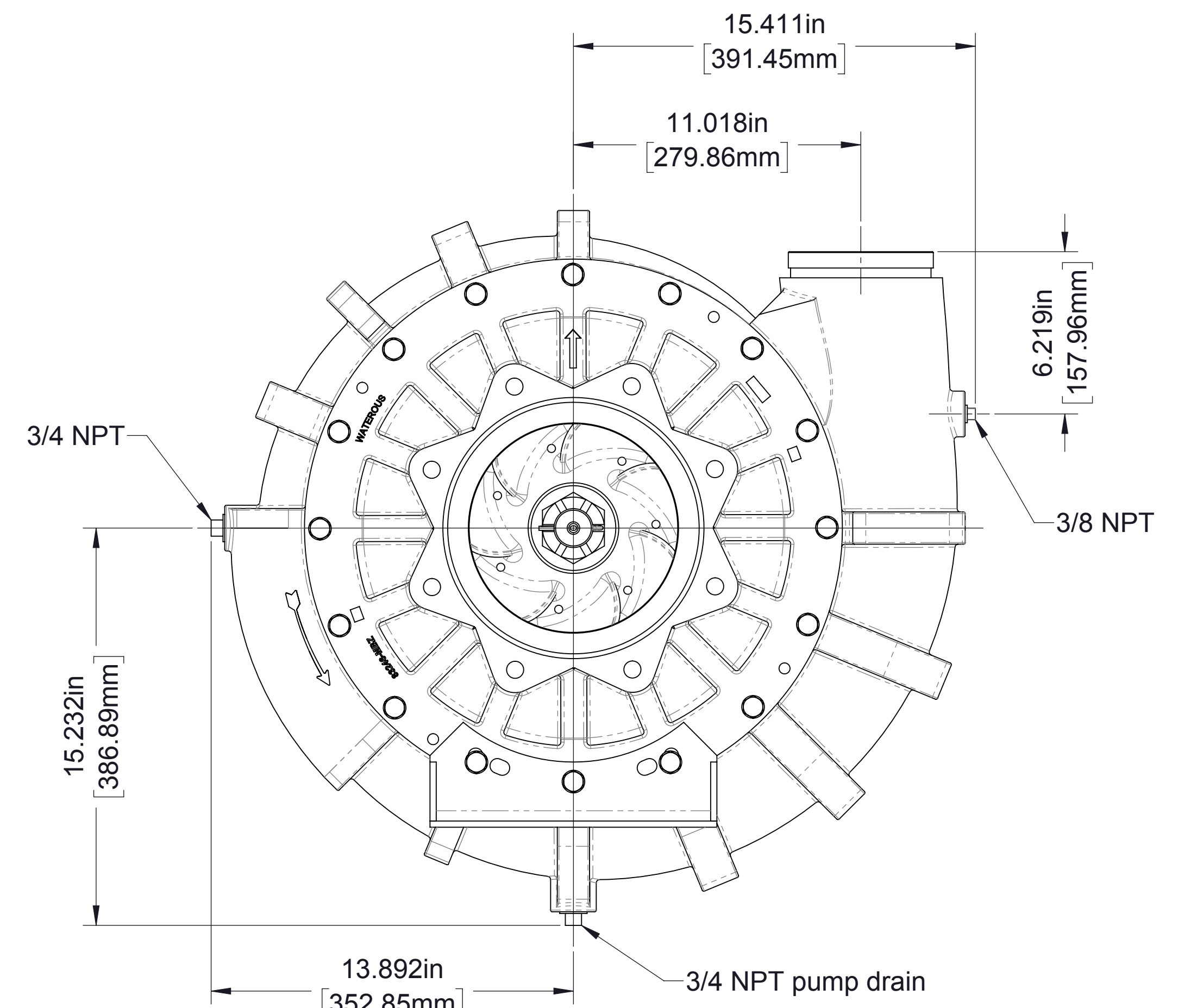
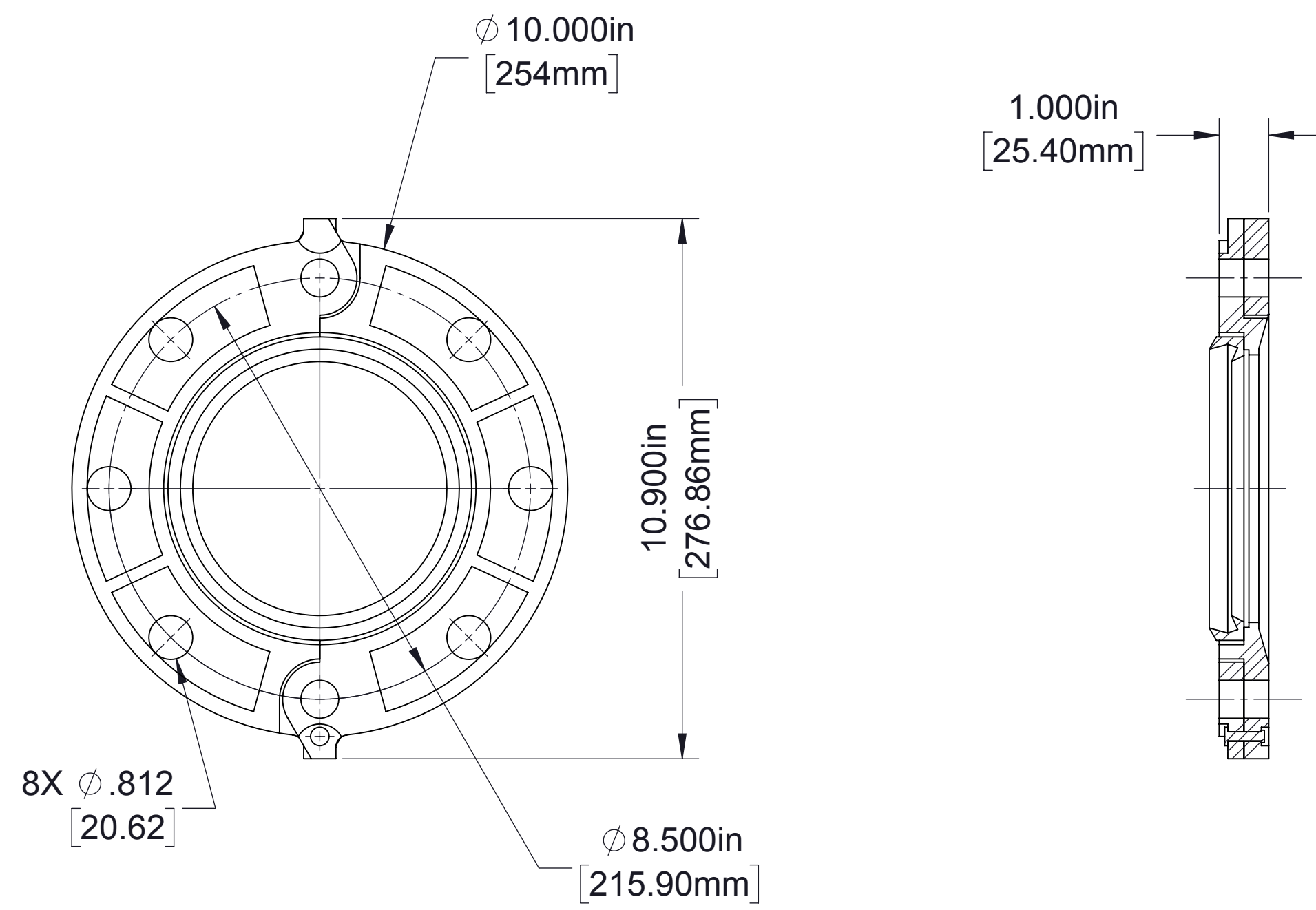
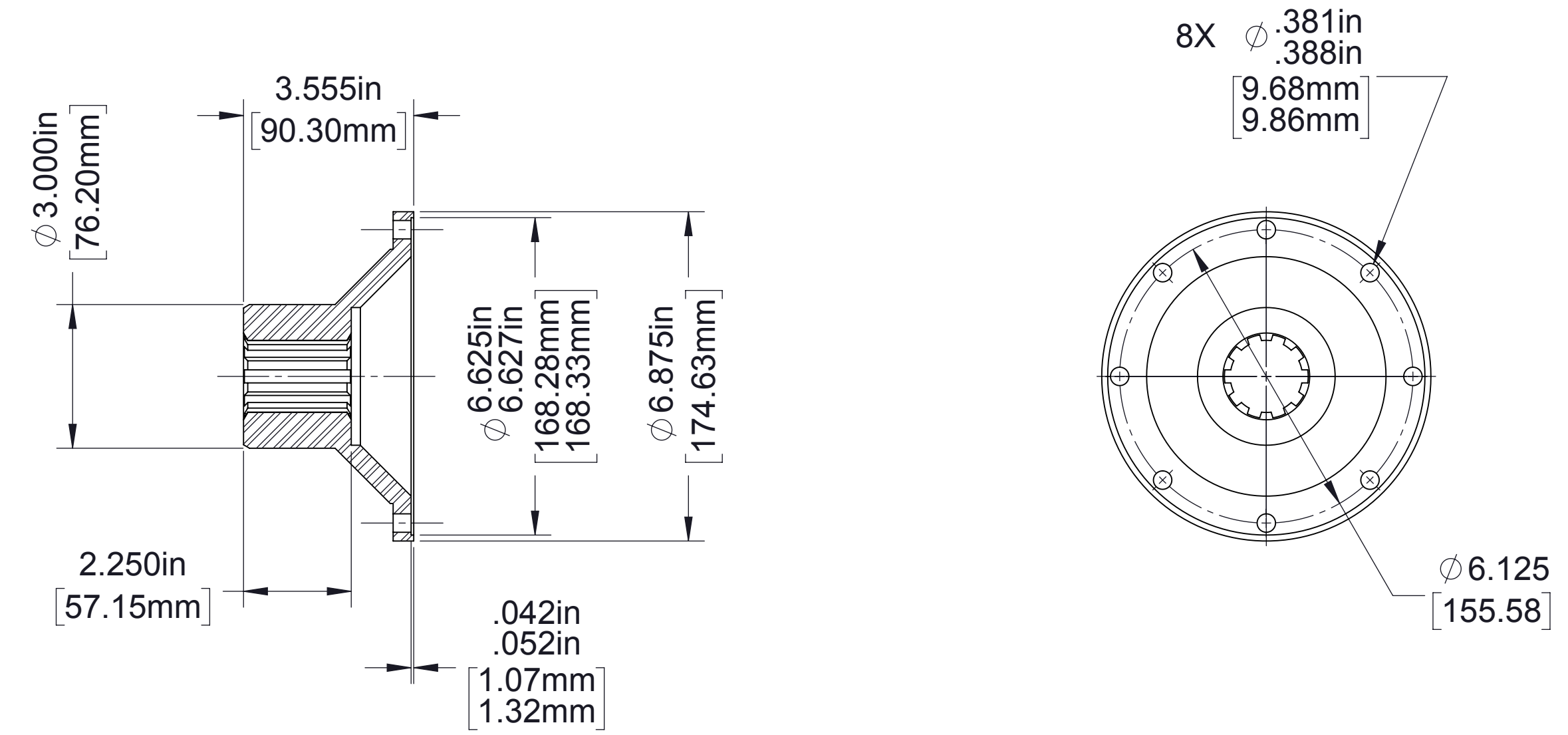


Figure 2, Up, Bronze Pump



**Optional 5 in. Victaulic to 5 in. ANSI
Flange Discharge Adapter**

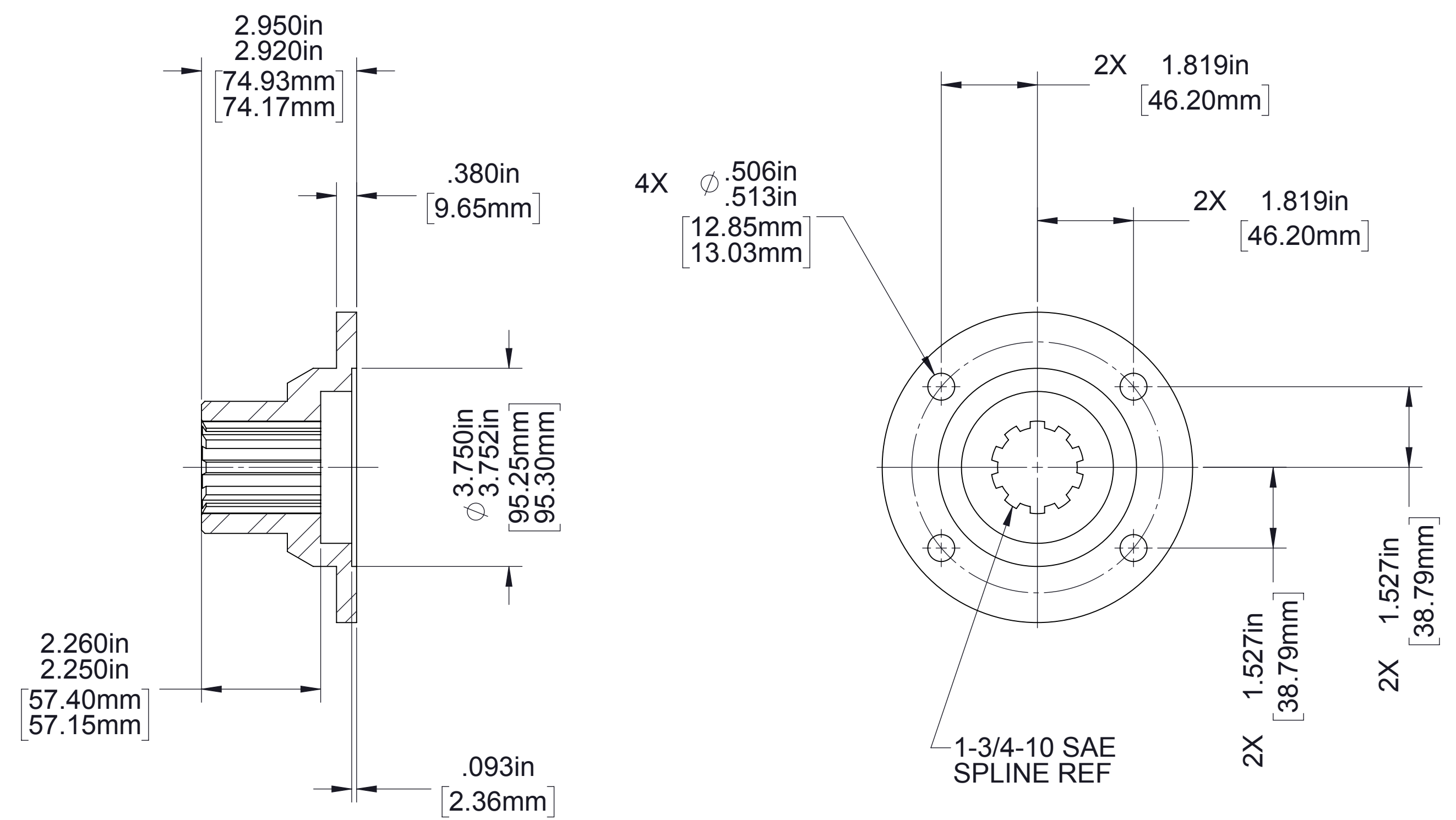
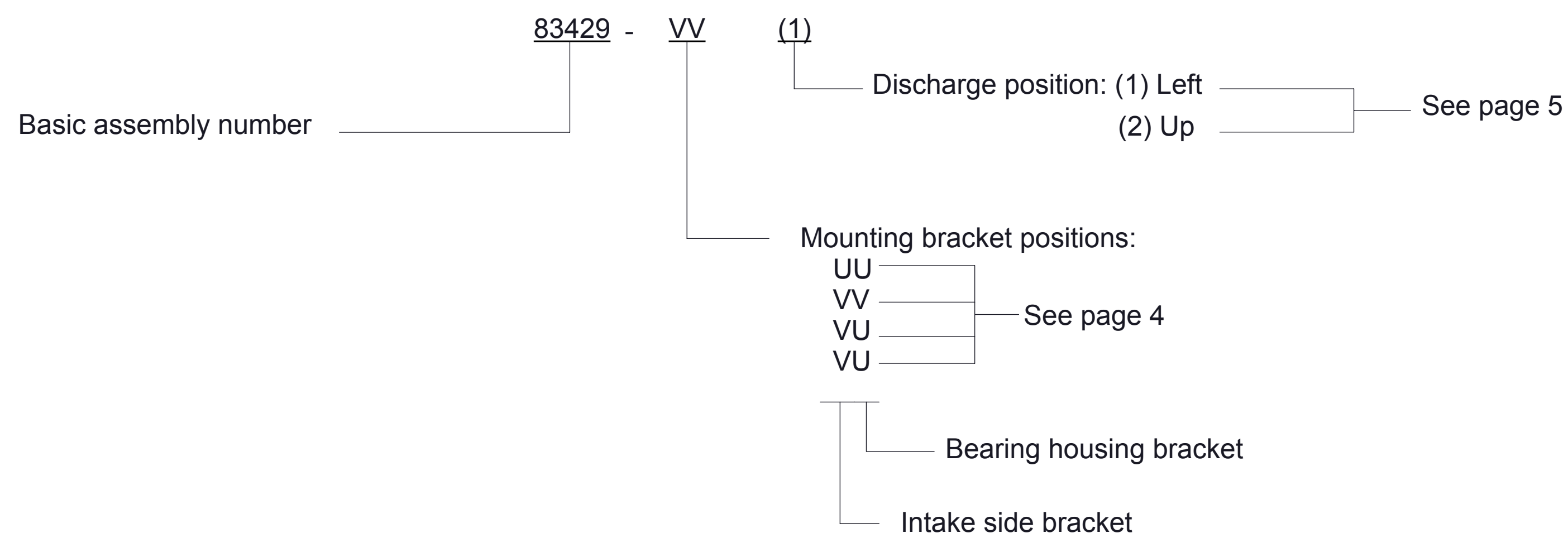


Optional Companion Flange
1600/1610 Series Part No. 61320

Ordering information

When ordering supply the following information:

1. Basic assembly number: 83429
2. Suffixes which indicate mounting bracket positions and discharge position:



Optional Companion Flange
1480/1550 Series Part No. 61319