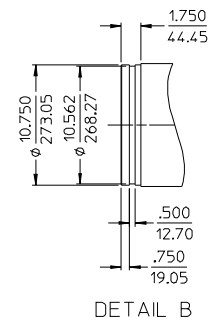
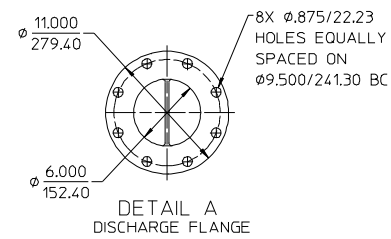
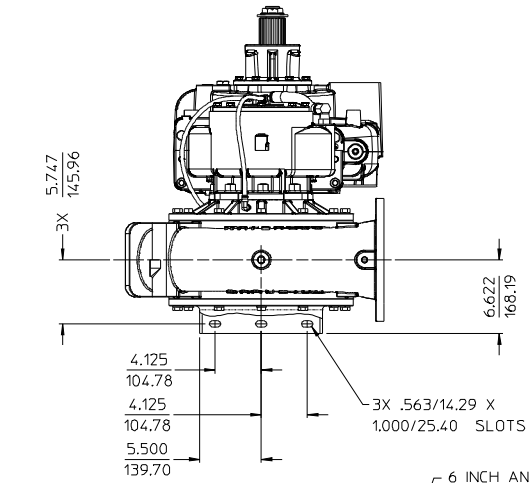


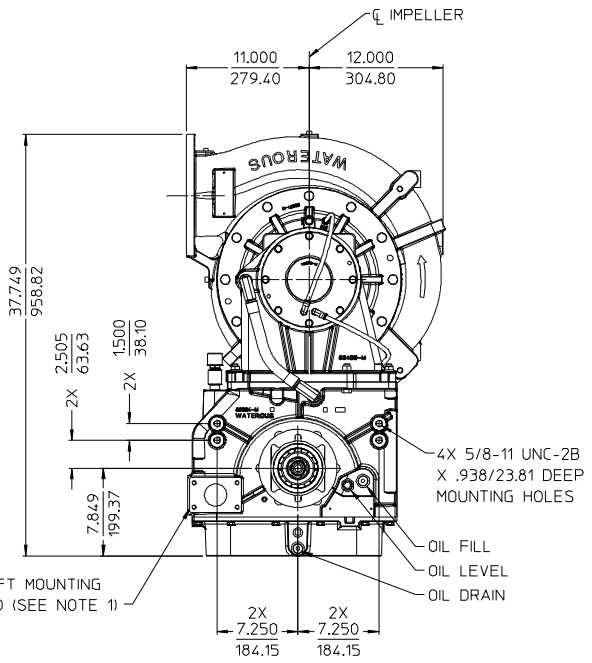
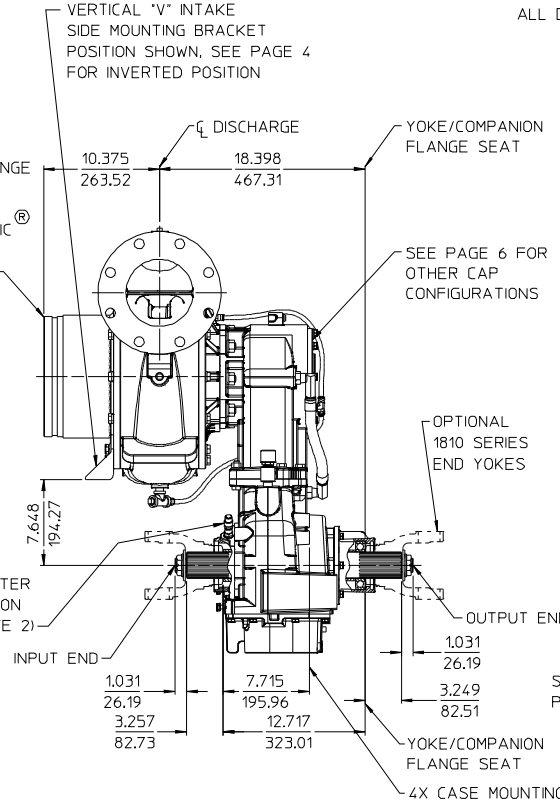
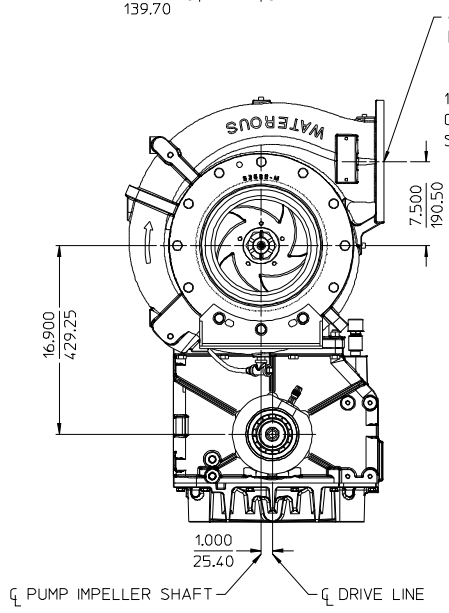
## Model CRUC21-2 Dimensional Drawings

**Index:**

Pump Body Mounting on Transmission	Input Rotation	Impeller Rotation	See Page				
			Pump and Transmission				
			Dimensions	Available Mounting Bracket Positions	Available Pump Discharge Positions	Optional Hydraulic Pump Mounting Provision	Ordering Information
Front (Input Shaft) Side	CW	CW	2	4	5	6	7
Rear (Output Shaft) Side	CW	CCW	3	4	5	6	7

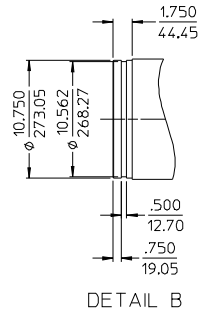
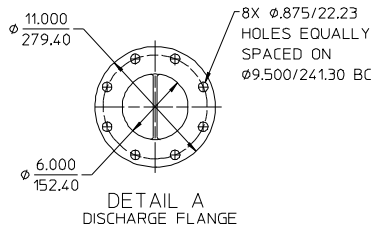


ALL DIMENSIONS SHOWN AS INCH/MILLIMETER  
(INCH / MILLIMETER)

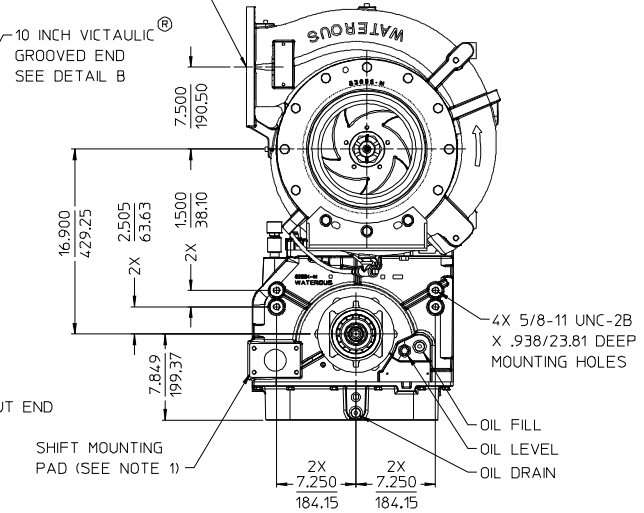
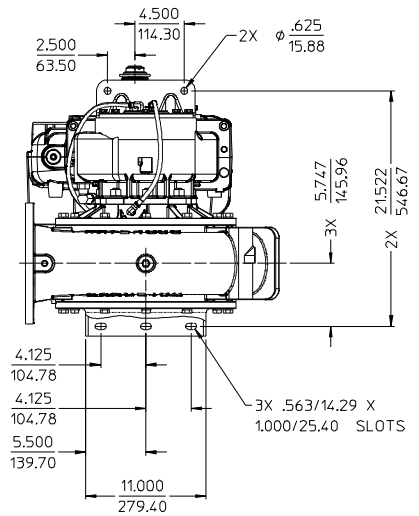
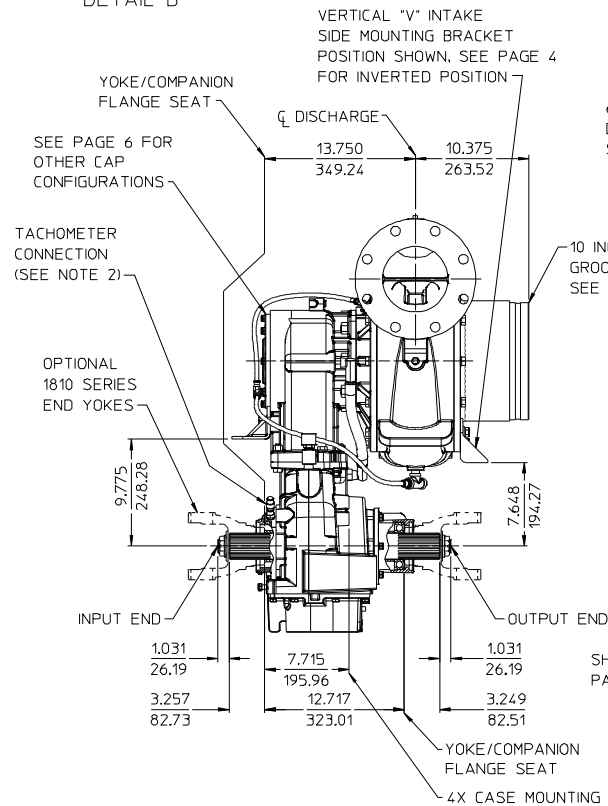
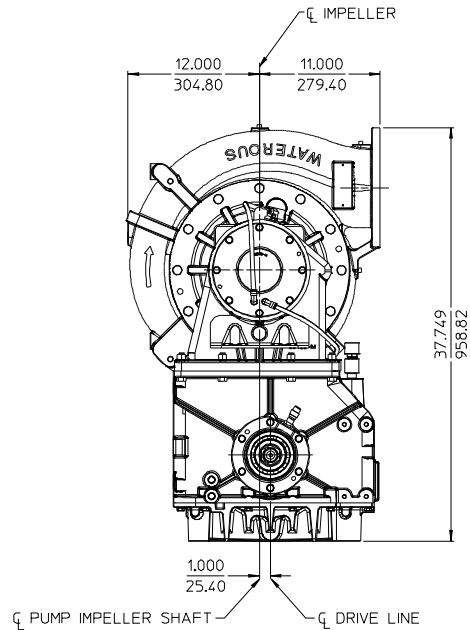


NOTES:  
1. SEE DRAWING DPL82086 FOR SHIFT MOUNTING PAD DETAILS.  
2. SEE DRAWING DPL83409 FOR ADDITIONAL DETAILS OF C21 SERIES TRANSMISSION.

**MODEL CRUC21-2**  
PUMP MOUNTED ON FRONT (INPUT SHAFT SIDE) OF TRANSMISSION  
CLOCKWISE INPUT, 1.77 RATIO SHOWN  
RIGHT (FIGURE 2) DISCHARGE POSITION SHOWN



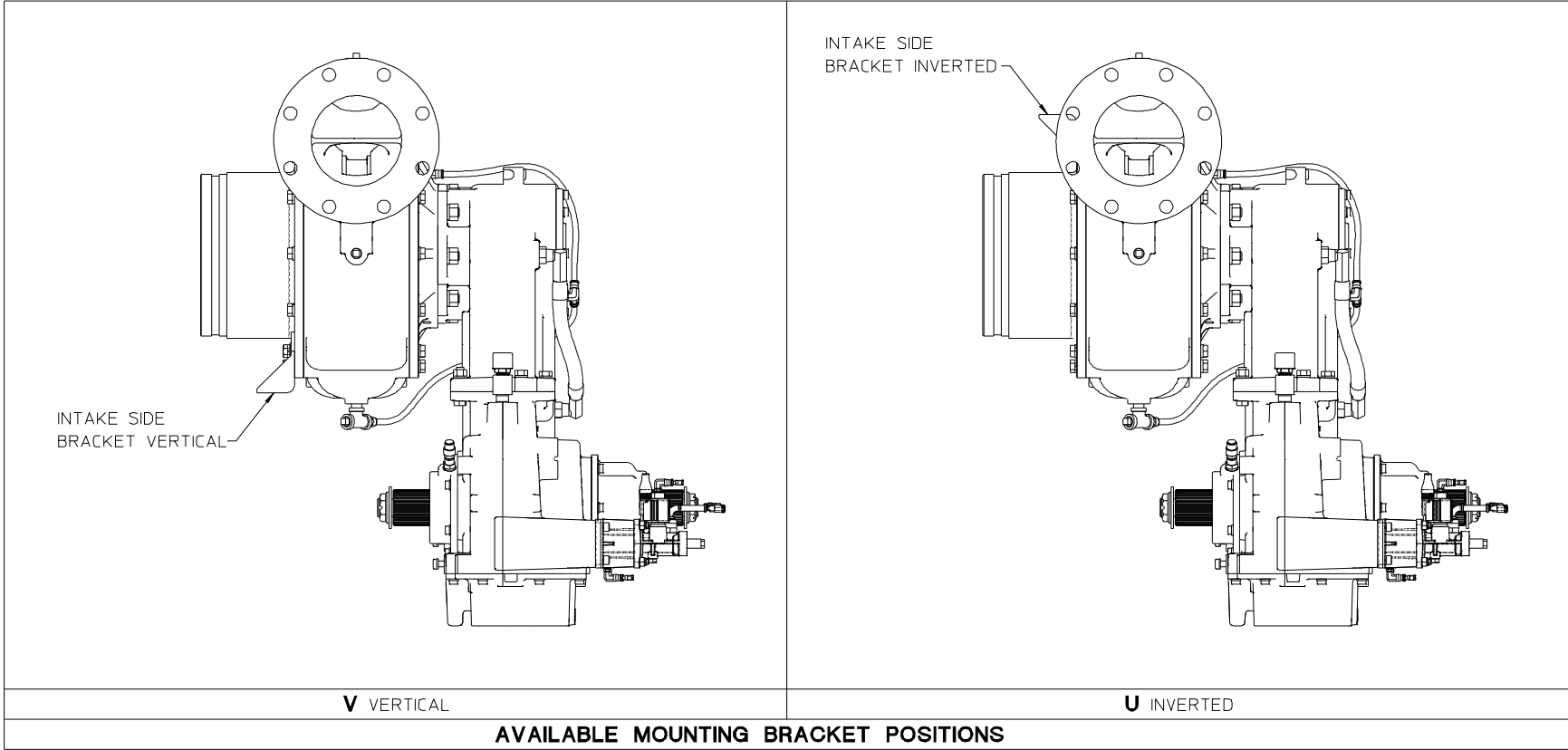
ALL DIMENSIONS SHOWN AS INCH/MILLIMETER  
(INCH / MILLIMETER)

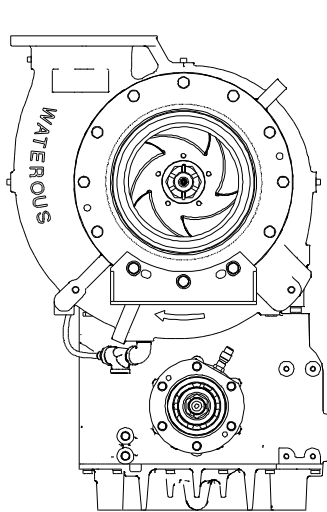


- NOTES:  
 1. SEE DRAWING DPL82086 FOR SHIFT MOUNTING PAD DETAILS.  
 2. SEE DRAWING DPL83409 FOR ADDITIONAL DETAILS OF C21 SERIES TRANSMISSION.

**MODEL CRUC21-2**

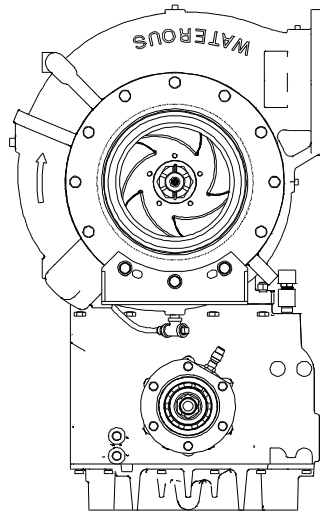
PUMP MOUNTED ON REAR (OUTPUT SHAFT SIDE) OF TRANSMISSION  
 CLOCKWISE INPUT, 1.77 RATIO SHOWN  
 LEFT (FIGURE 4) DISCHARGE POSITION SHOWN



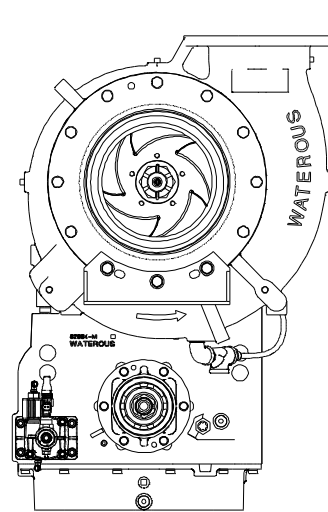


**UP** (FIGURE 1)

PUMP MOUNTED ON FRONT (INPUT SHAFT) SIDE OF TRANSMISSION

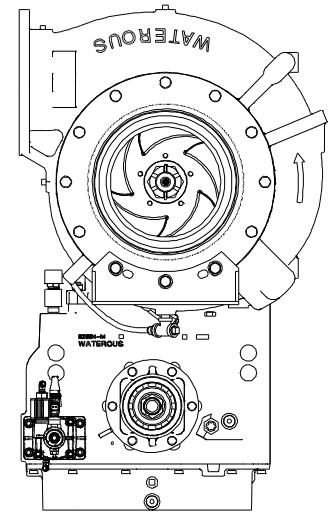


**RIGHT** (FIGURE 2)



**UP** (FIGURE 3)

PUMP MOUNTED ON REAR (OUTPUT SHAFT) SIDE OF TRANSMISSION

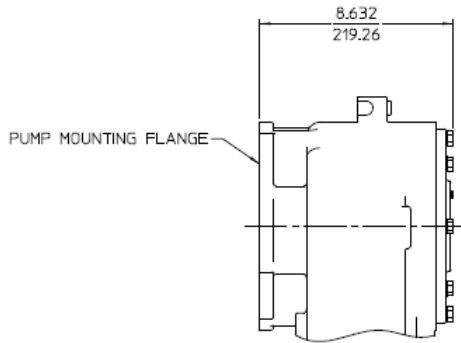


**LEFT** (FIGURE 4)

**AVAILABLE DISCHARGE POSITIONS**

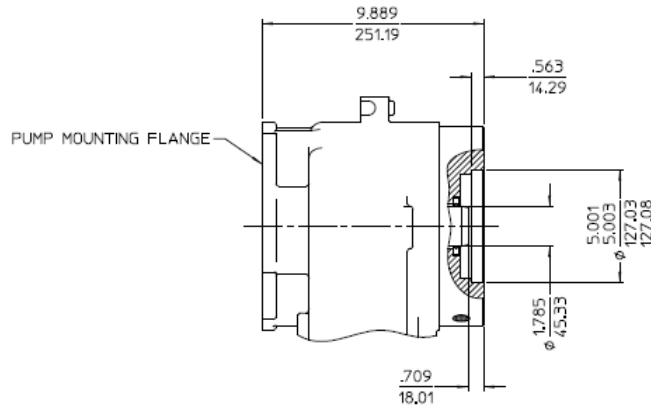
NOTE: POSITIONS ARE DEFINED AS VIEWED LOOKING AT INTAKE END OF PUMP.

INPUT END ←      → OUTPUT END

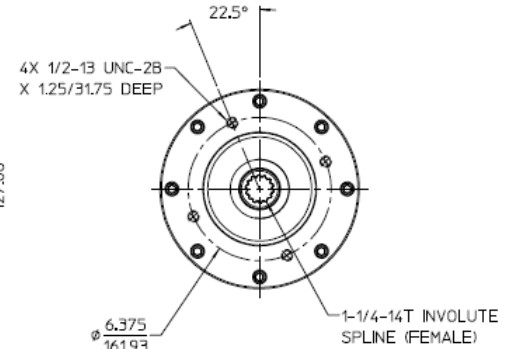


FRONT MOUNTED (INPUT SIDE)  
WITHOUT SAE HYDRAULIC FLANGE

INPUT END ←      → OUTPUT END



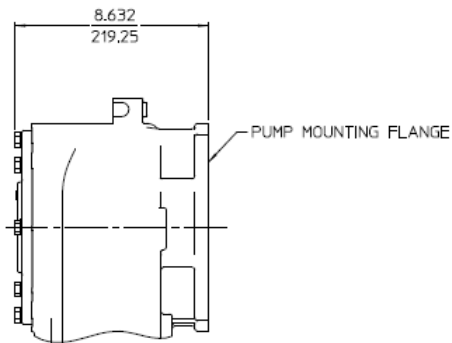
FRONT MOUNTED (INPUT SIDE)  
WITH SAE HYDRAULIC FLANGE



VIEW F-F  
HYDRAULIC PUMP ADAPTER FLANGE

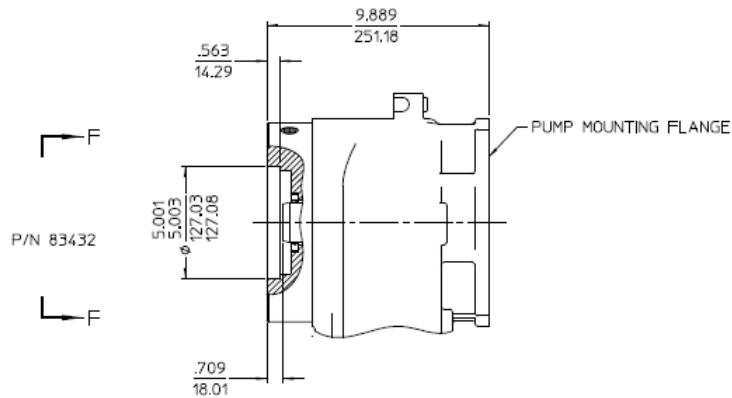
USED FOR SAE J744 CLASS C 4-BOLT  
HYDRAULIC PUMP WITH MALE  
1-1/4-14T 12/24 PITCH INVOLUTE SPLINE

INPUT END ←      → OUTPUT END



REAR MOUNTED (OUTPUT SIDE)  
WITHOUT SAE HYDRAULIC FLANGE

INPUT END ←      → OUTPUT END



REAR MOUNTED (OUTPUT SIDE)  
WITH SAE HYDRAULIC FLANGE

ALL DIMENSIONS SHOWN AS INCH/MILLIMETER  
( INCH / MILLIMETER )

## ORDERING INFORMATION

When ordering, supply the following information:

1. Basic Assembly Number: 83465
2. Suffixes which indicate:
  - Mounting Bracket Position
  - Discharge Position and Pump Mounting on Transmission

