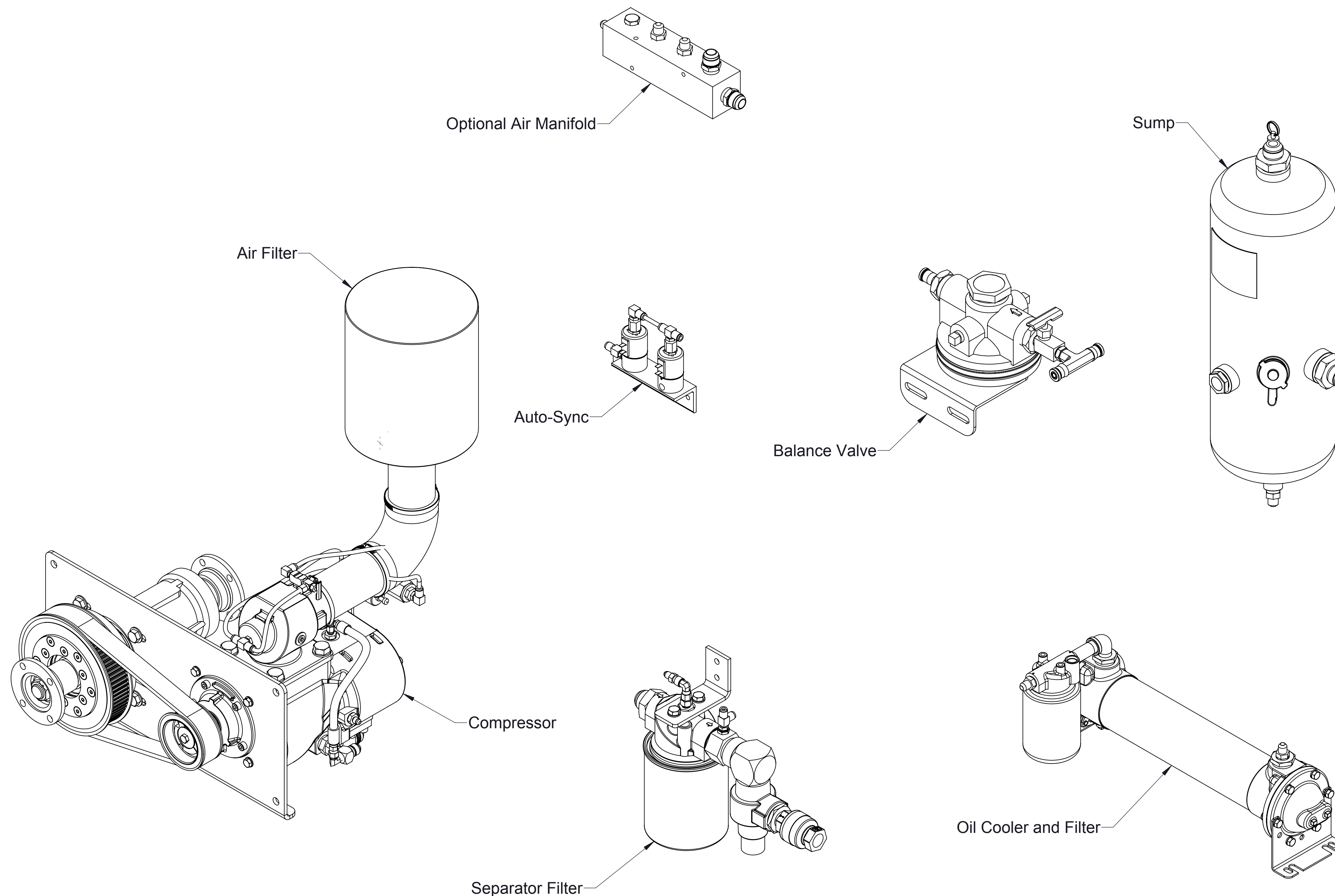
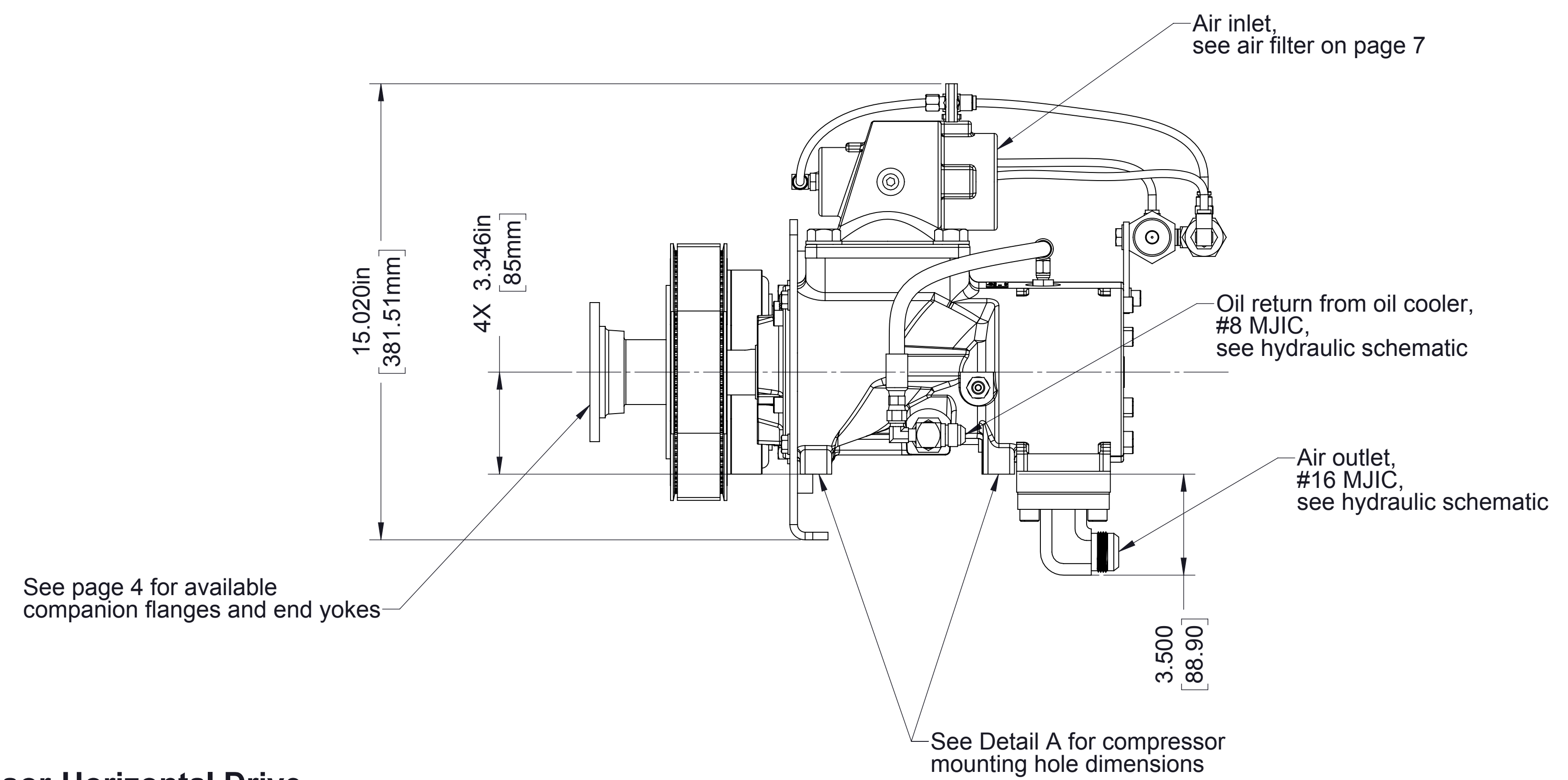
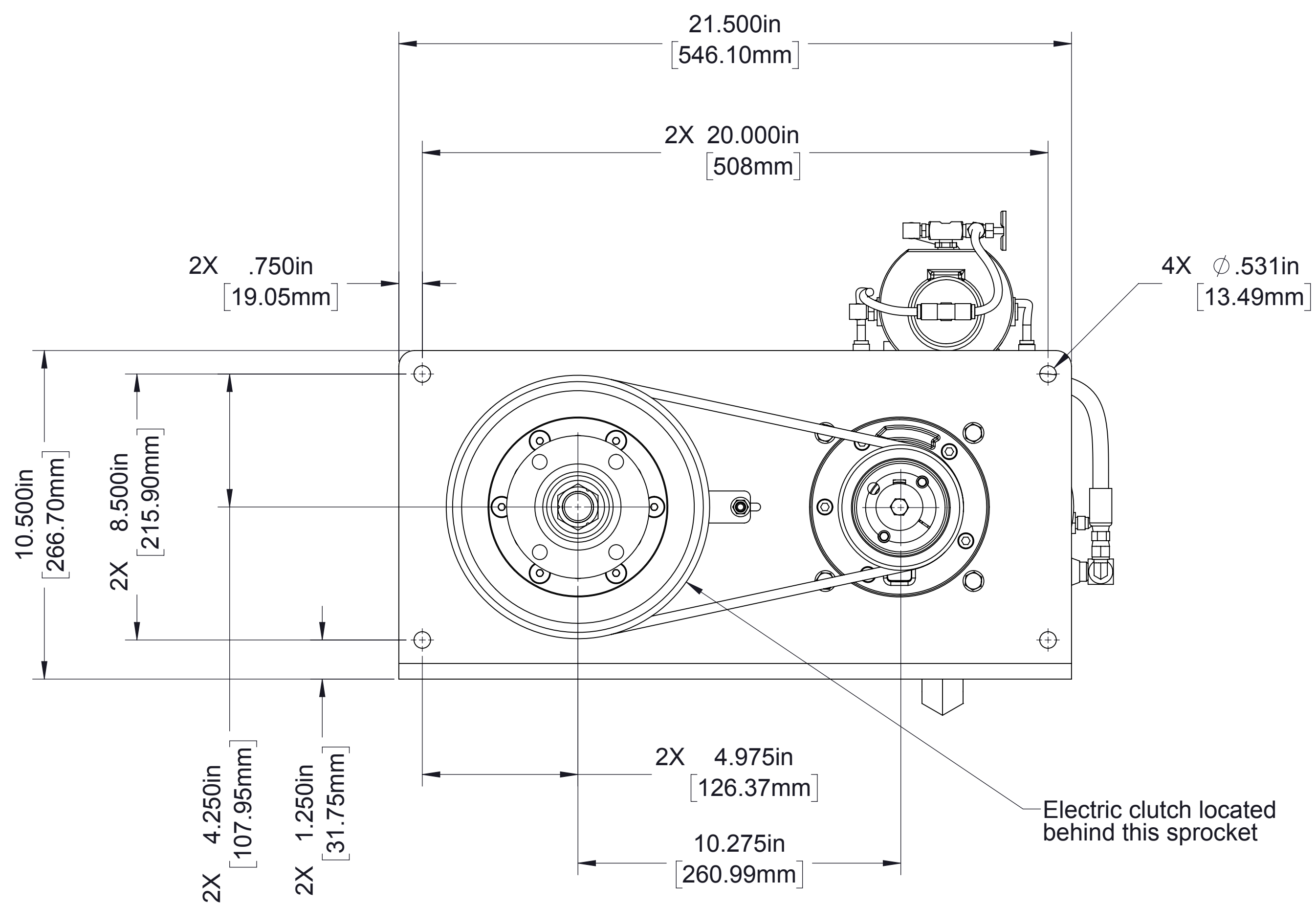
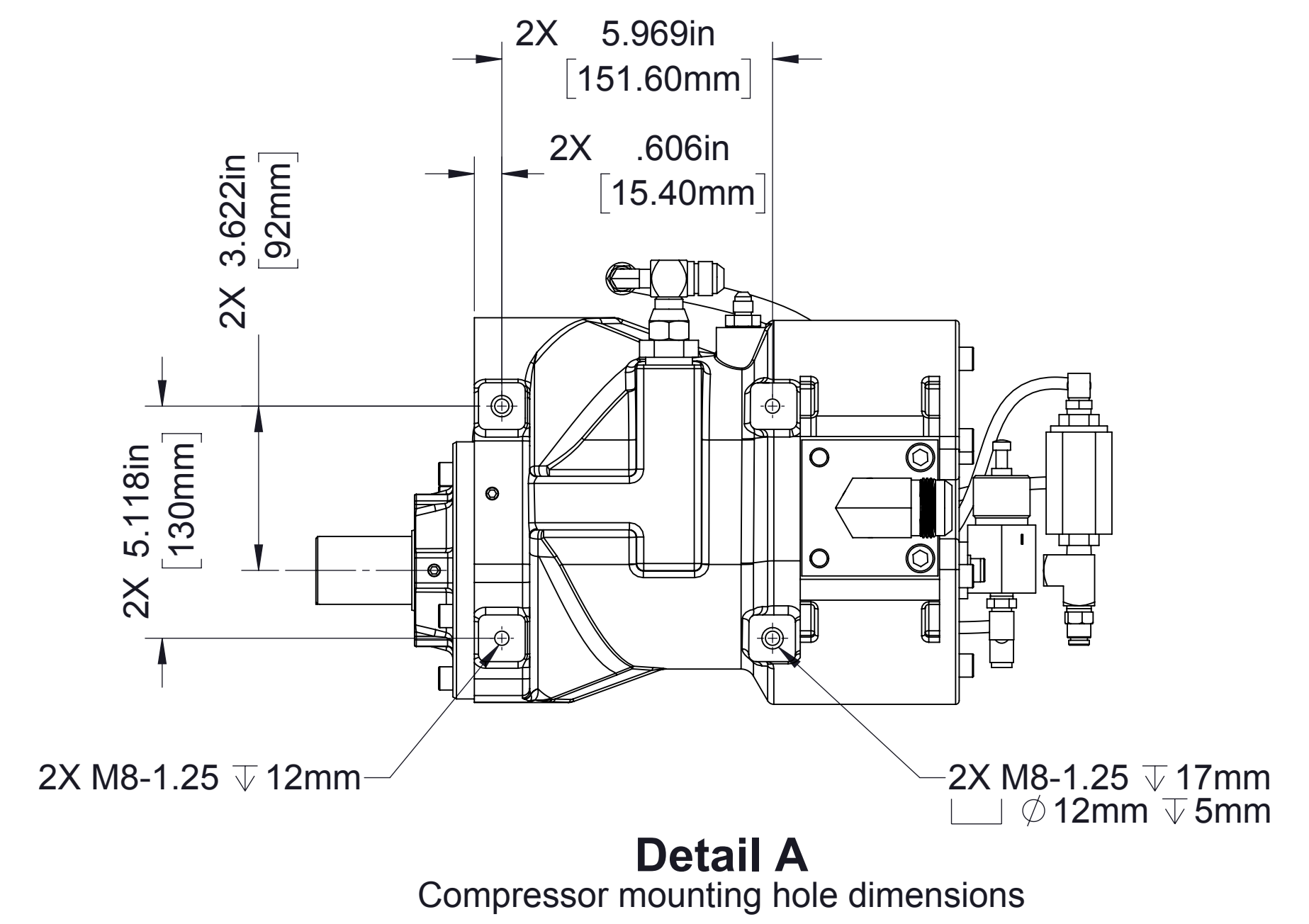
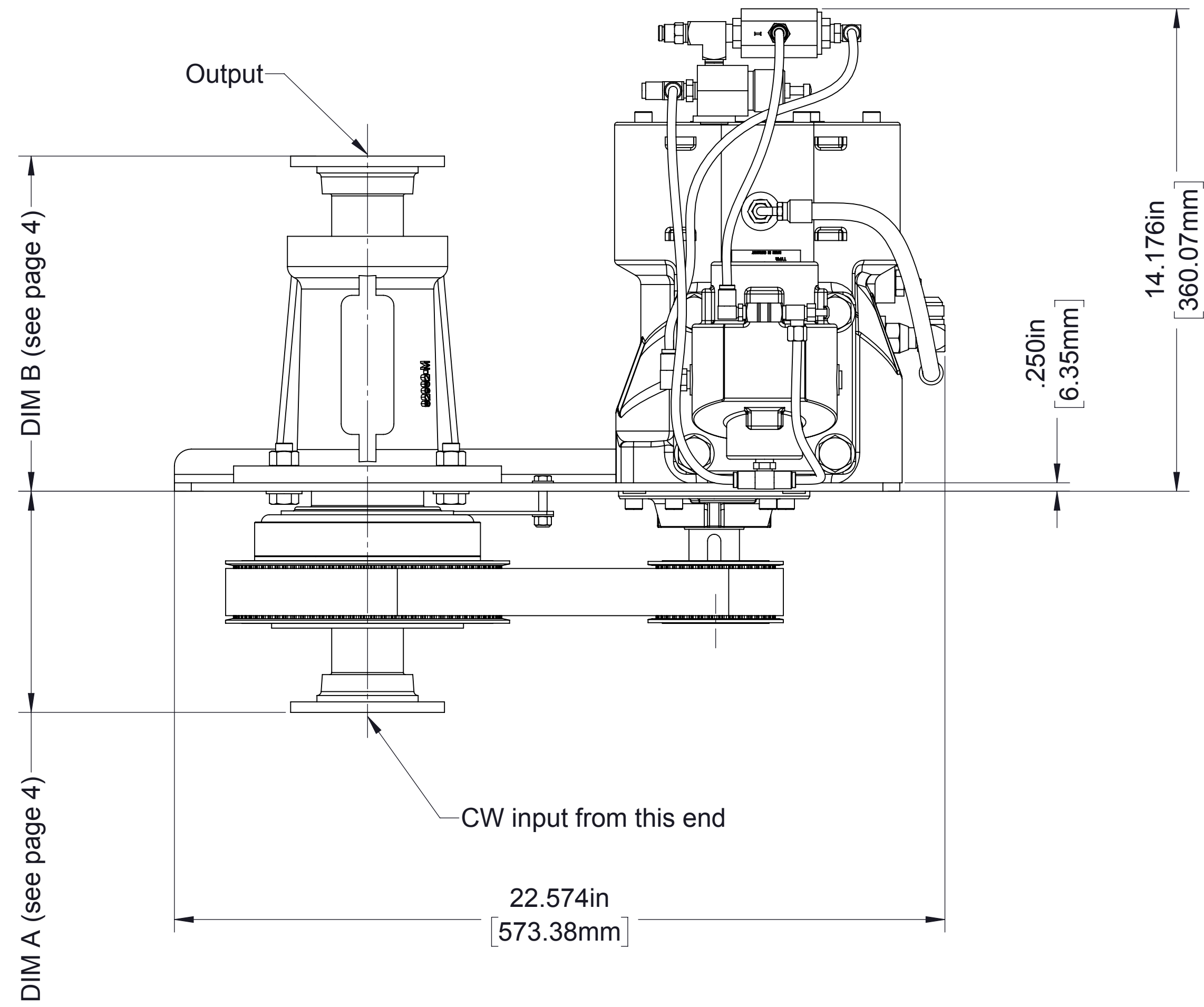


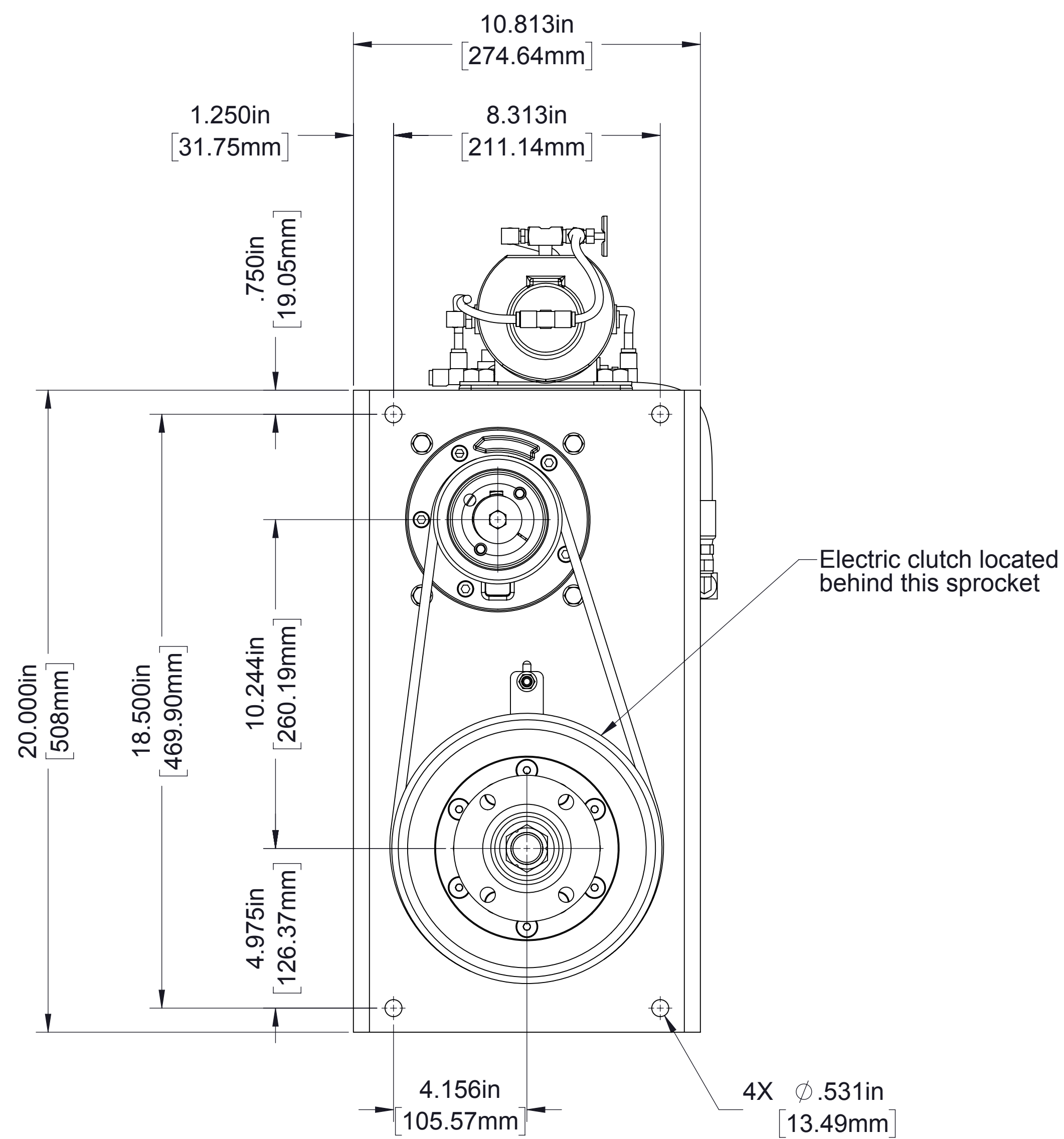
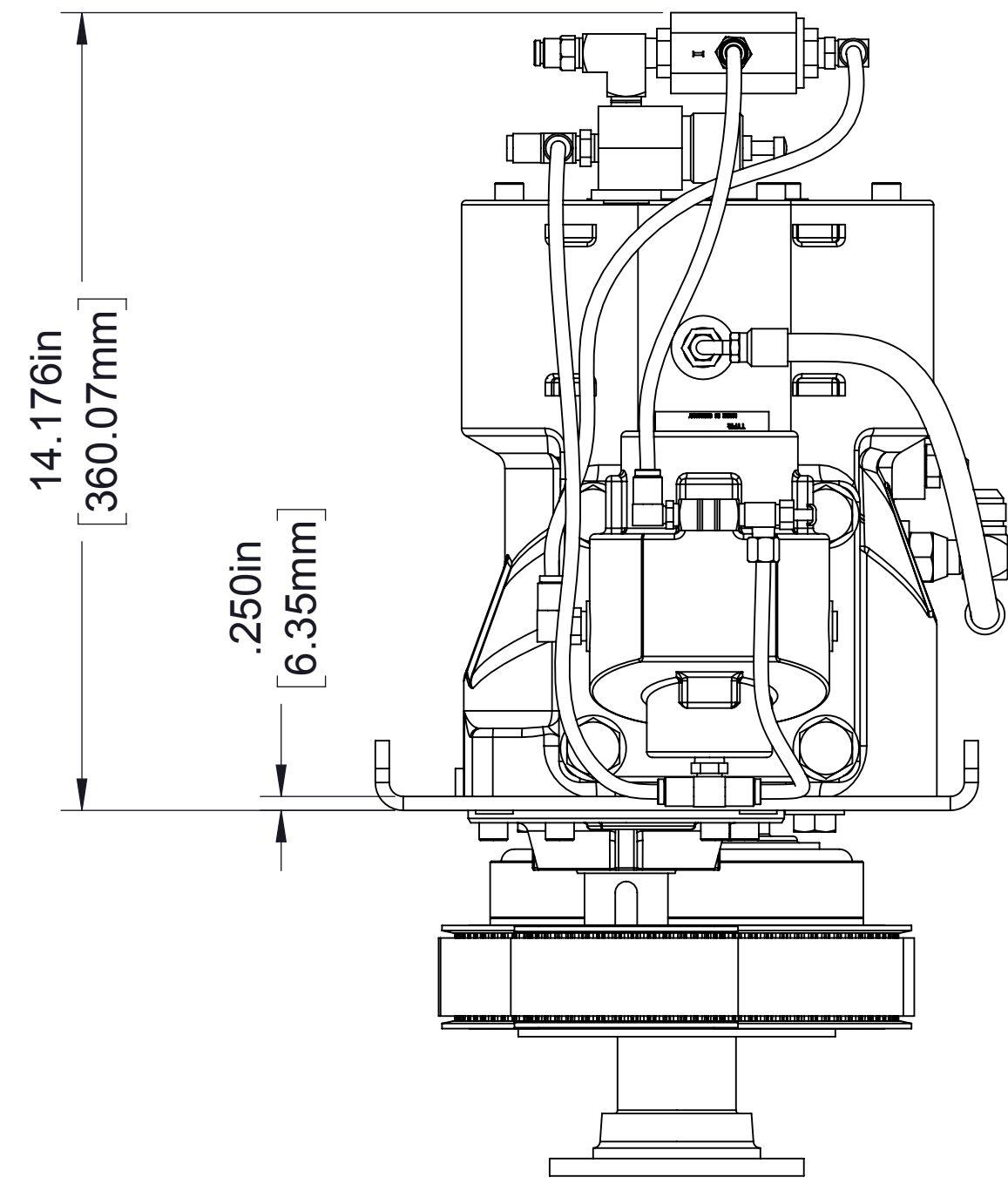
PTO Compressor Kit Dimensional Drawings Model 100-B



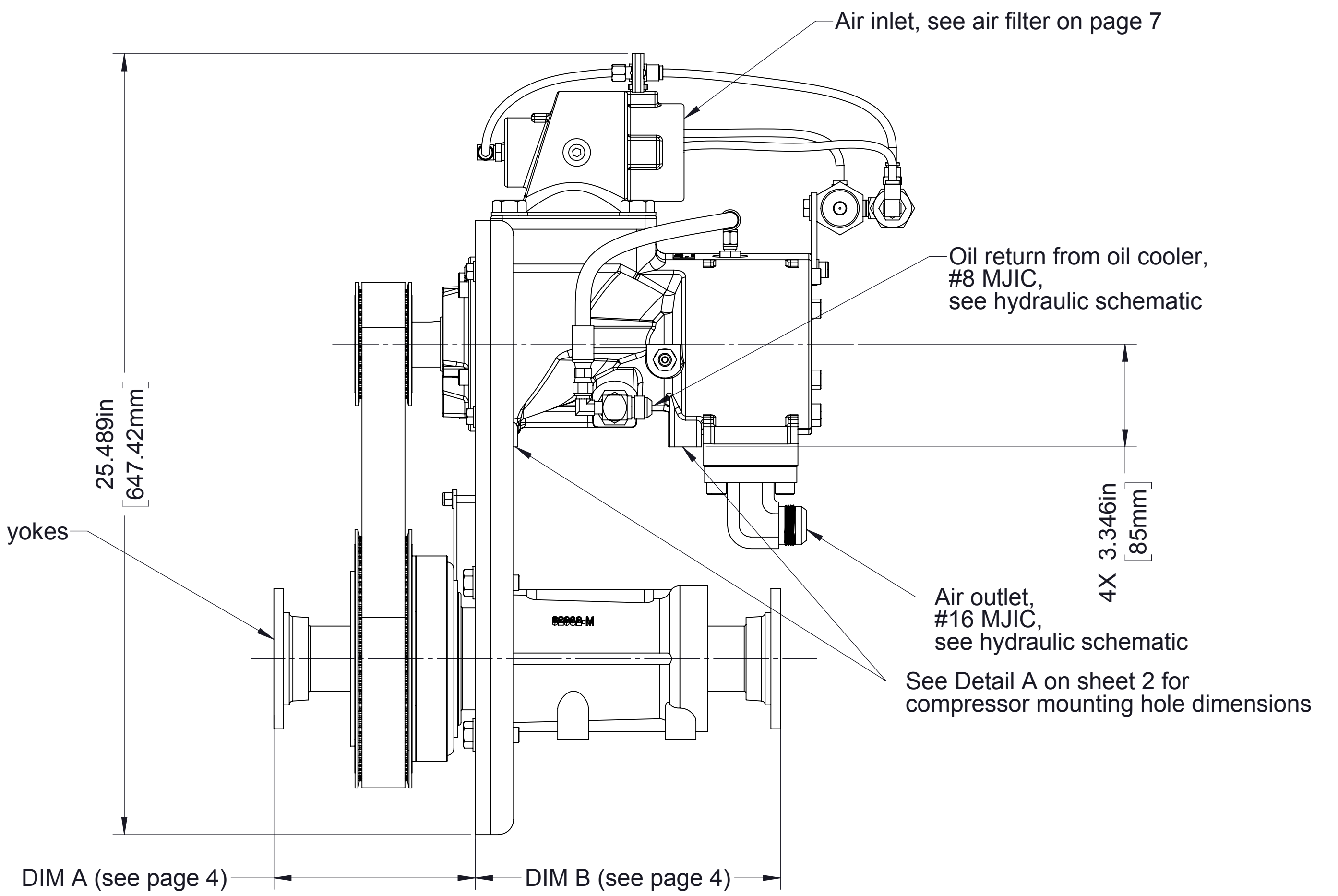
Standard Components:	Page
• Compressor:	
• Horizontal Drive	2
• Vertical Drive	3
• Companion Flanges and End Yokes	4
• Sump (Oil Reservoir)	5
• Oil Cooler and Filter	6
• Air Filter	7
• Separator Filter	7
• Auto-Sync	8
• Balance Valve	8
• Oil Temperature Gauge	8
• Panel Plates	8
• Voltage Converter (24V Systems Only)	9
Optional Components:	
• Air Oil Cooler (Electric Fan)	10
• Air Distribution Manifold	11
• Auxiliary Air Connection	12
• Air Pressure Gauge	13
• Digital Flow Meter	13
• Sump Vent	13
• Oil Inject Check Valve	See DPL83810
• Hose and Fitting Kit	See DPL83810
CAF Discharge:	
• Air Discharge Check Valve Kits	See DPL83477
• ICS Valves	See DPL83478
• Static Mixers	See DPL83603
• Manifolds	See DPL83682
Foam Pumps:	
• Models Aquis 1.5, 3.0 or 6.0	See F-1031-2447
Schematics:	
• Hydraulic	14
• Air Circuit	15
• Electrical	16



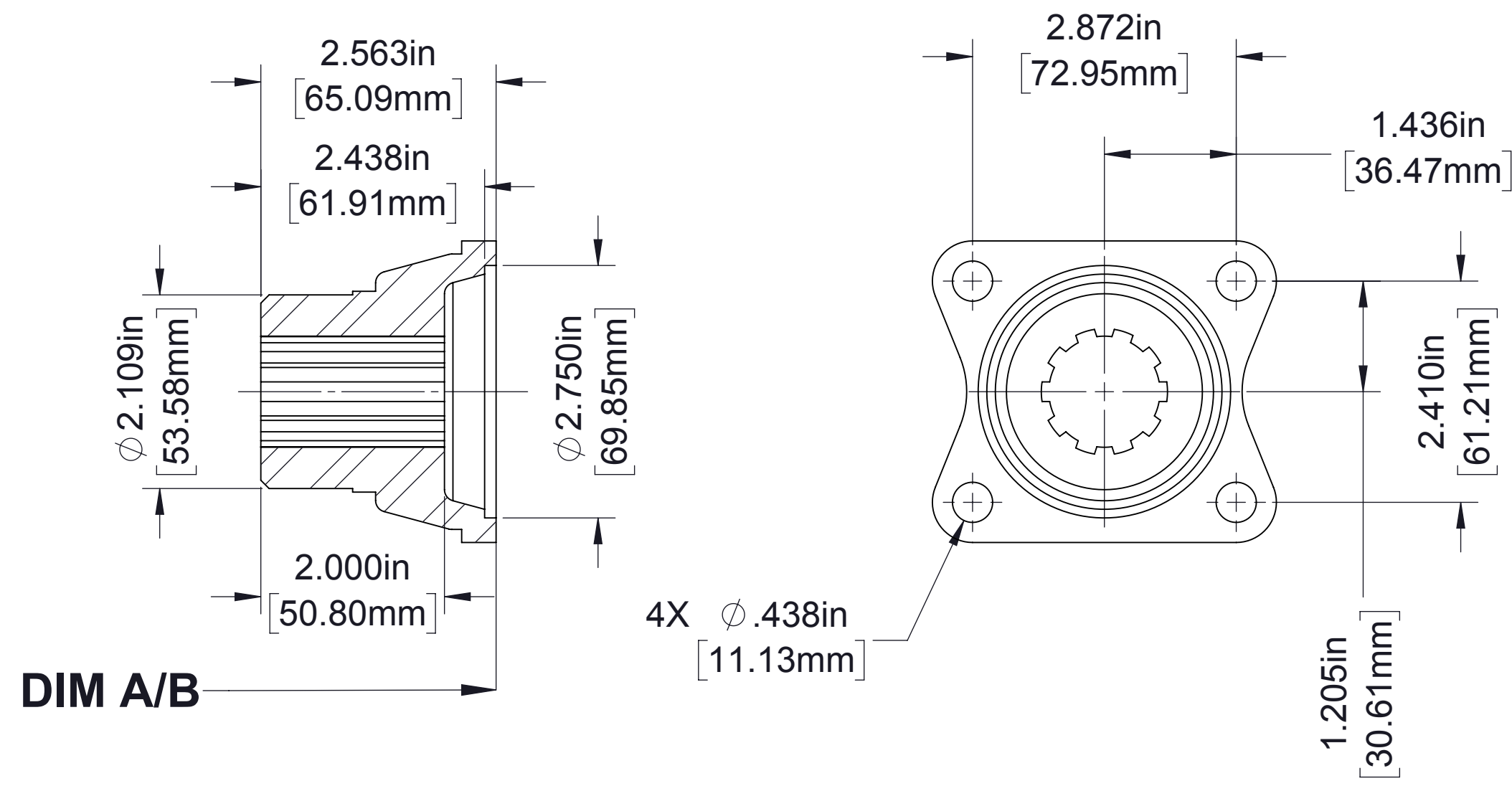
Compressor-Horizontal Drive



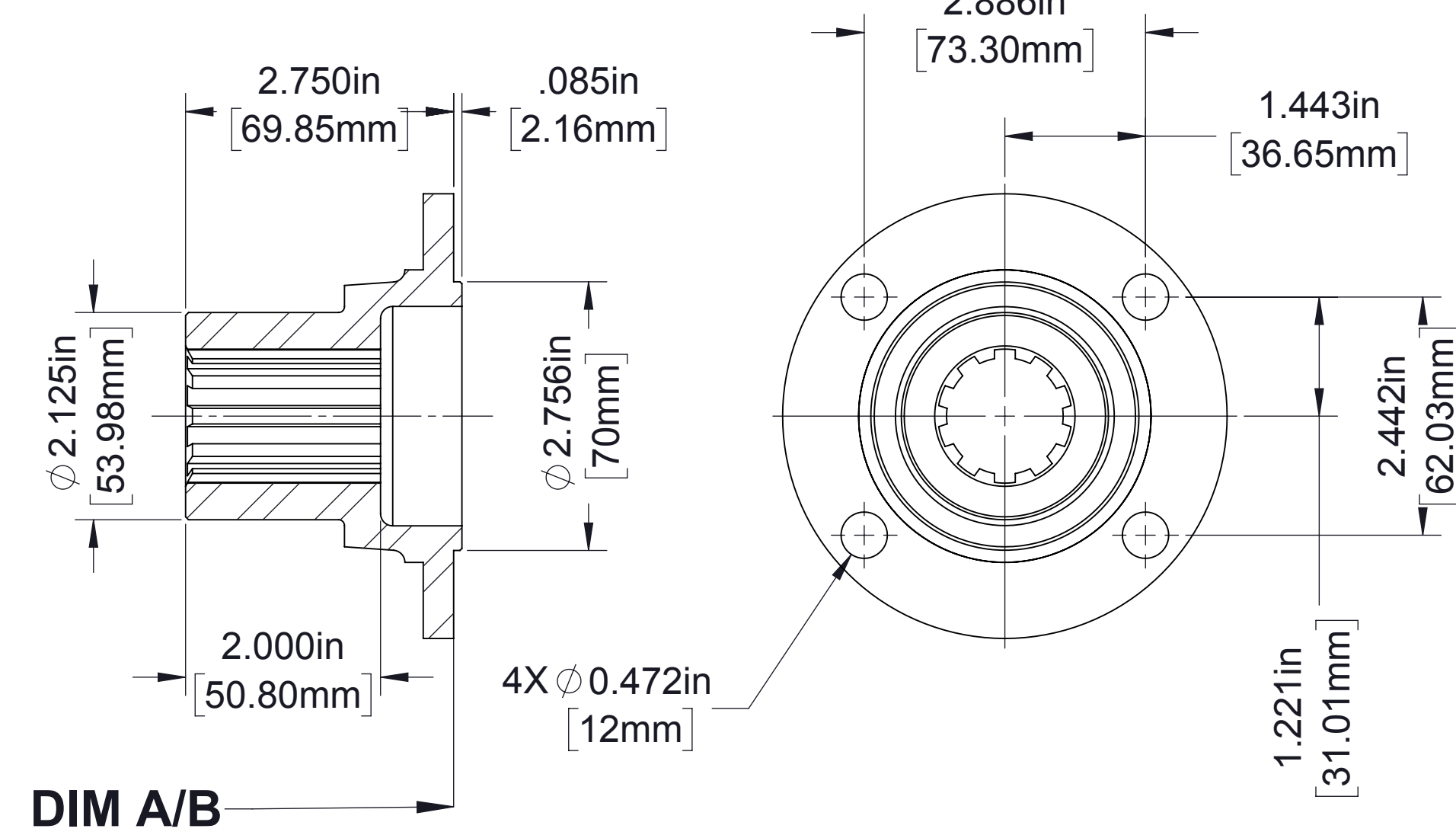
See page 4 for available companion flanges and end yokes



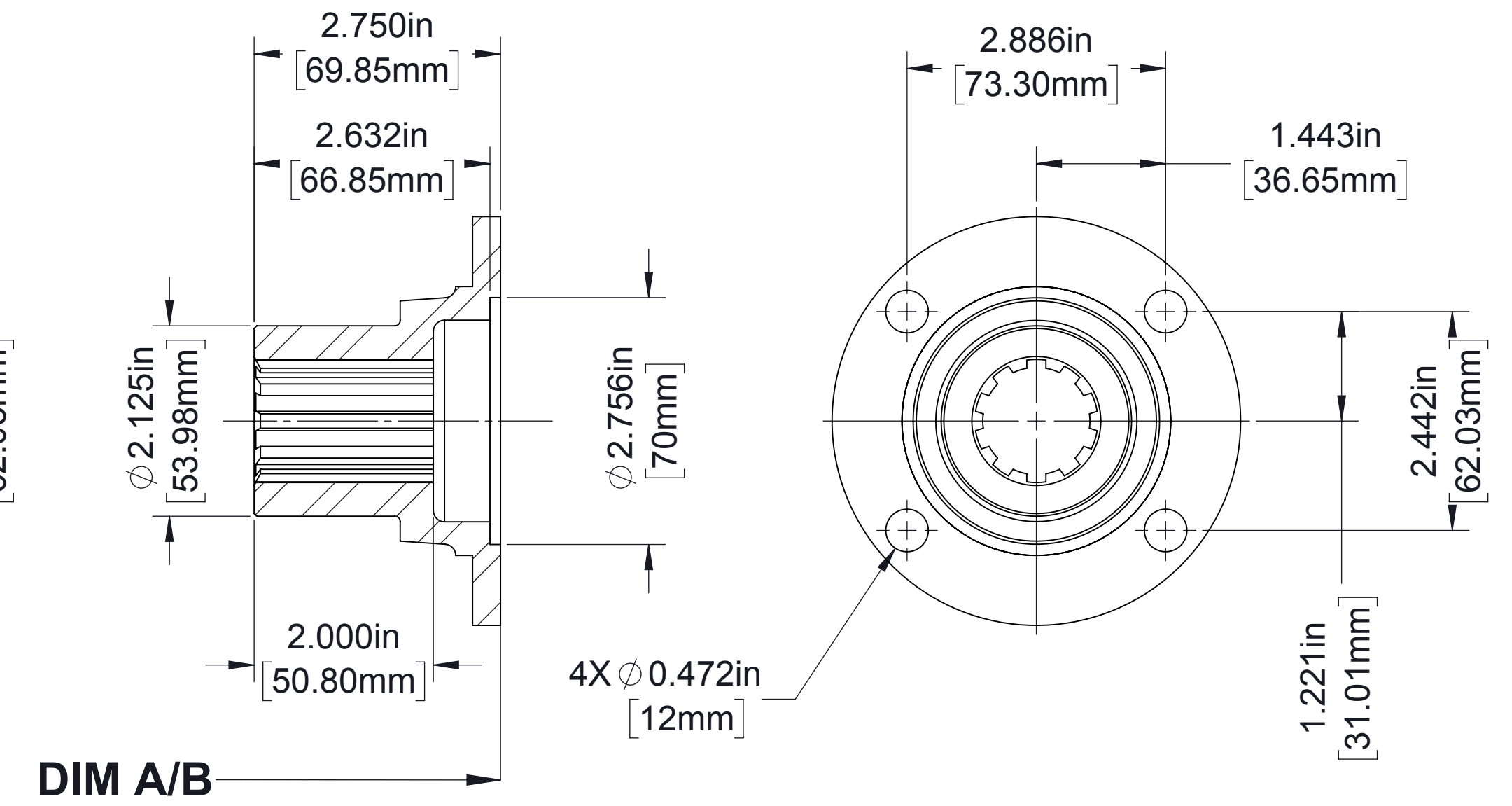
Compressor-Vertical Drive



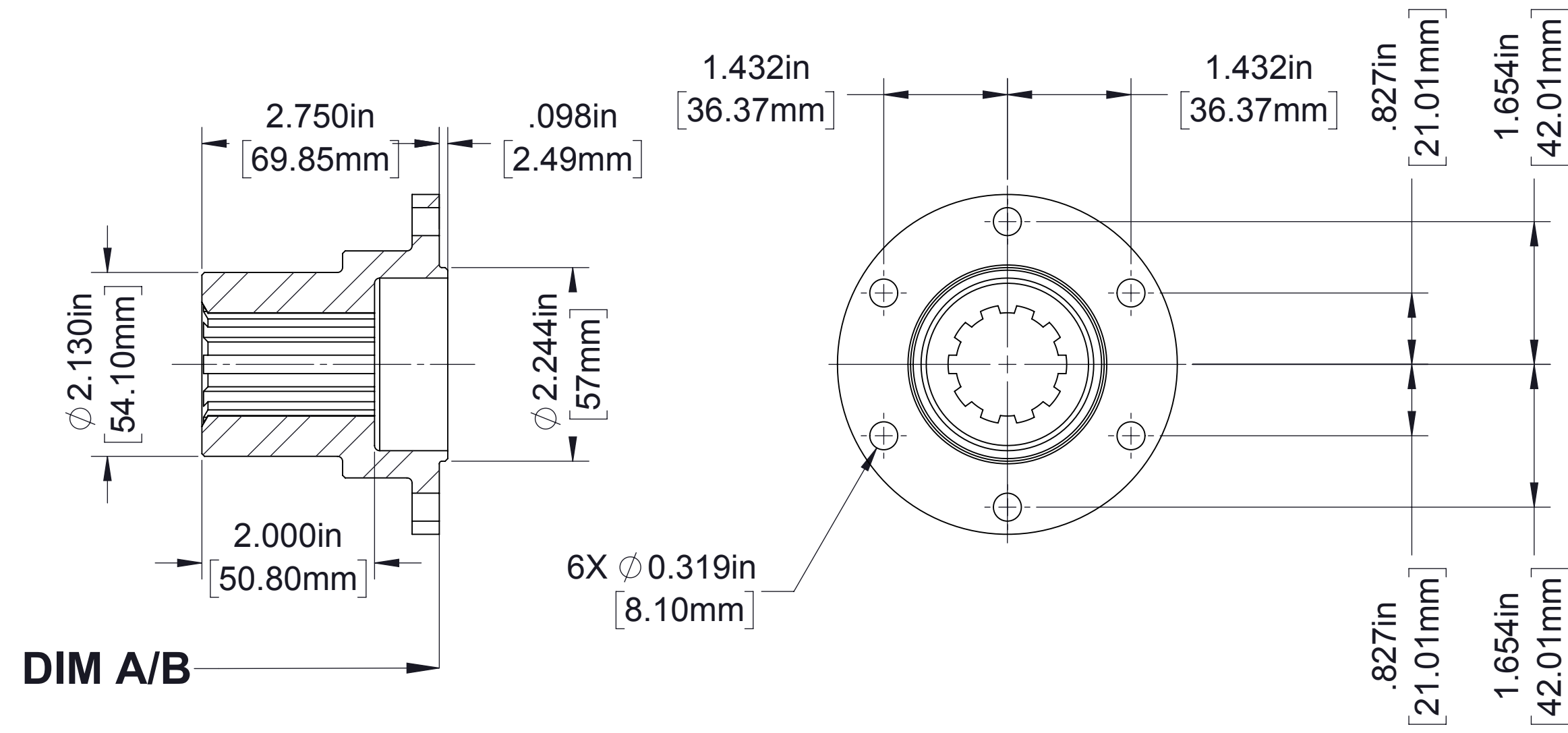
1310/1410, part number V 2593



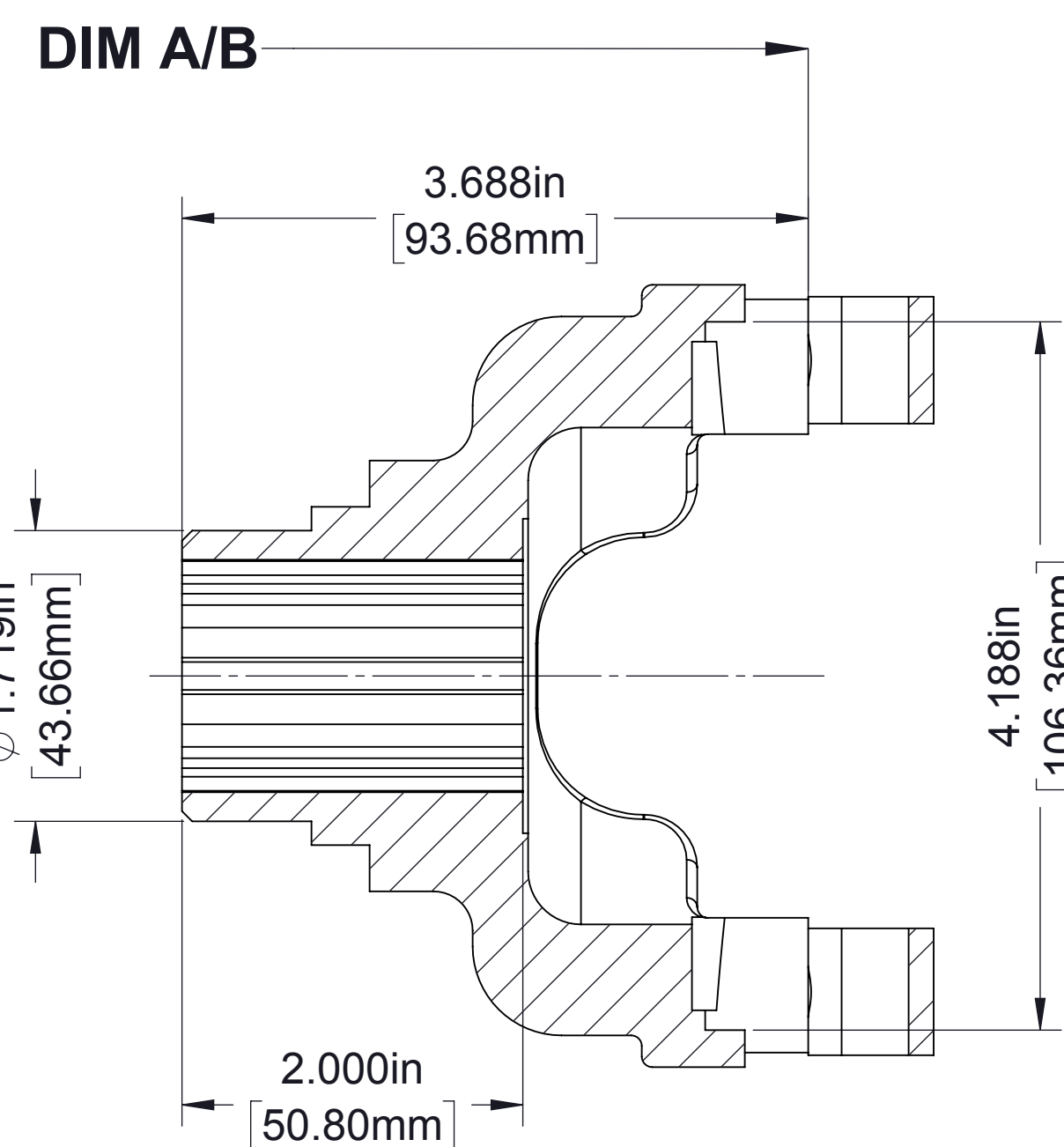
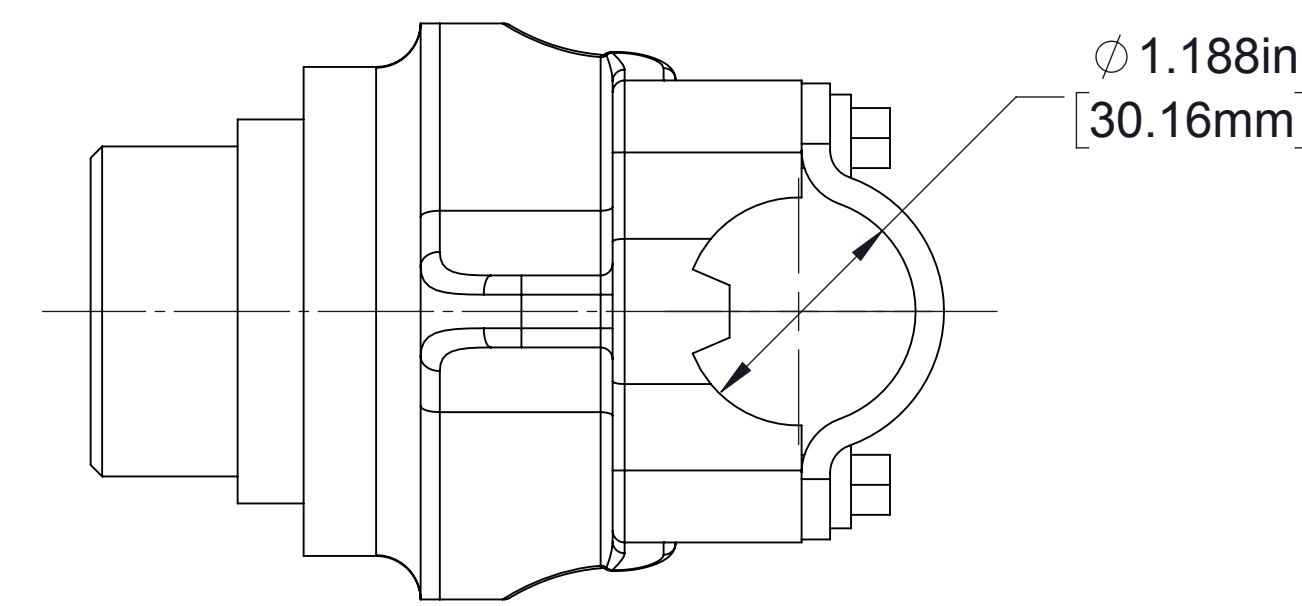
70 mm Male Pilot, part number 73276



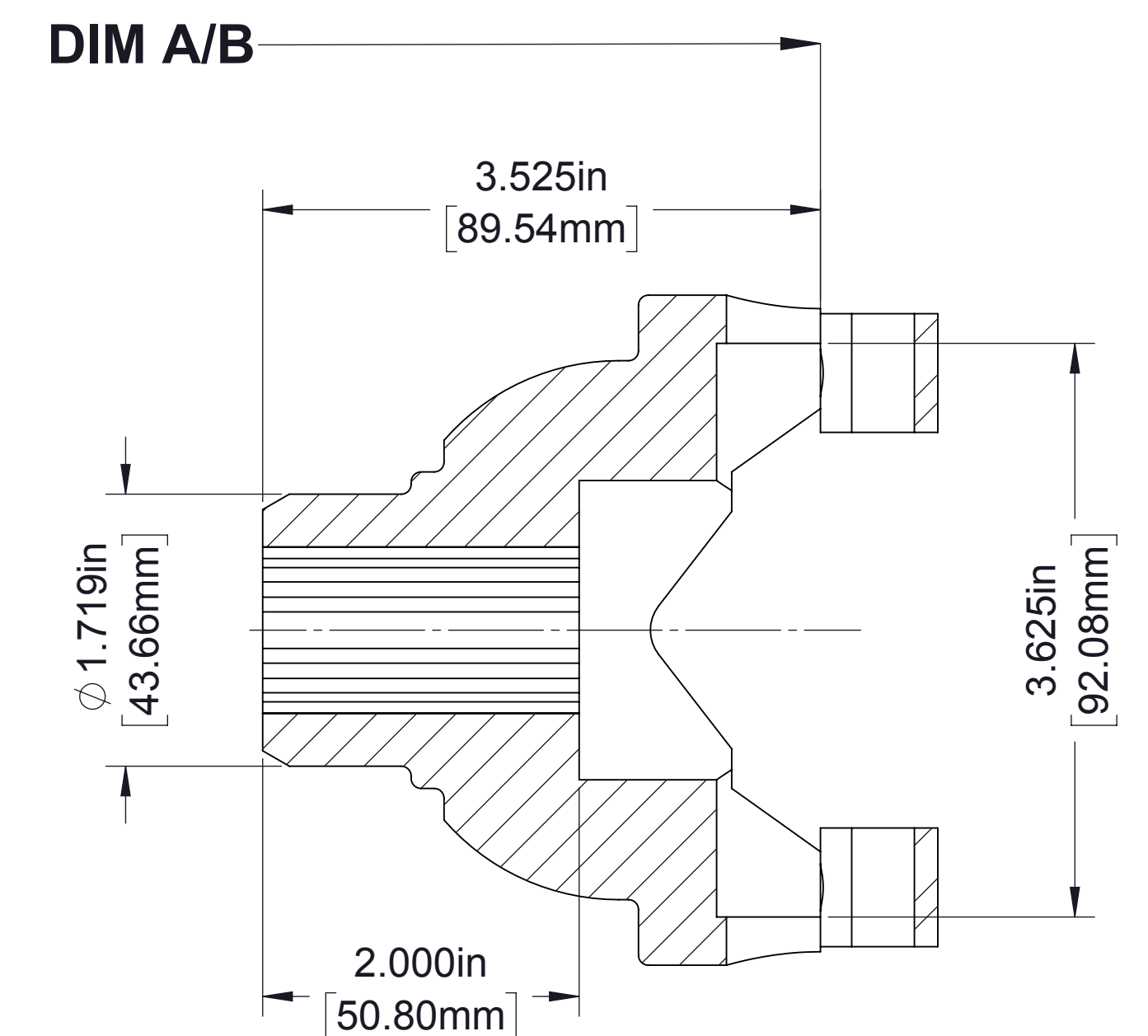
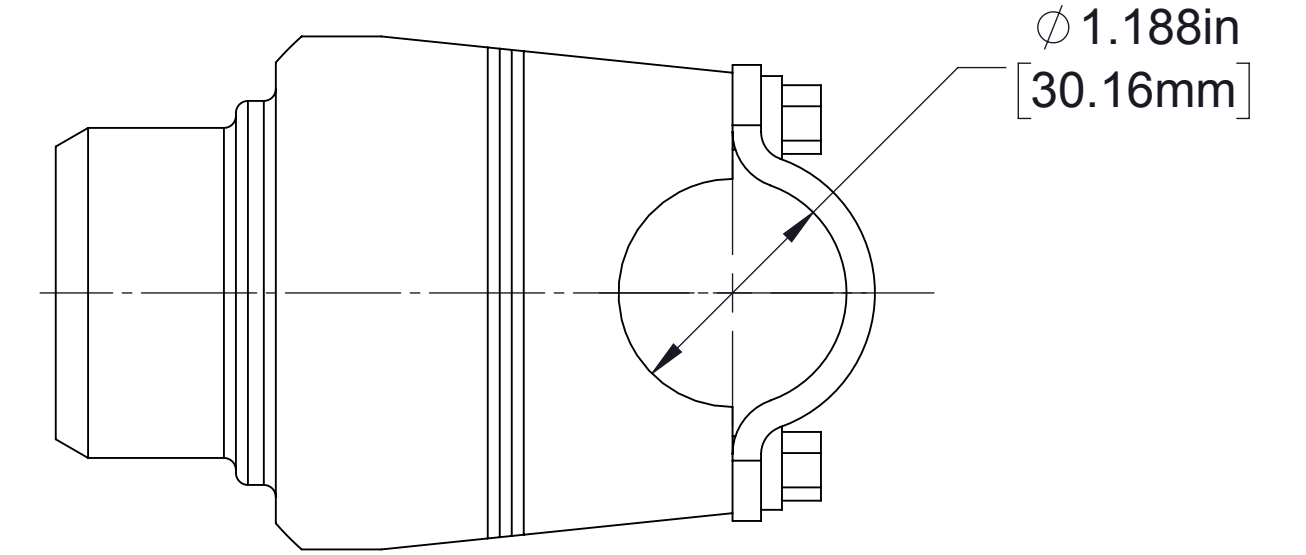
70 mm Female Pilot, part number 73377



DIN 100, part number 73327



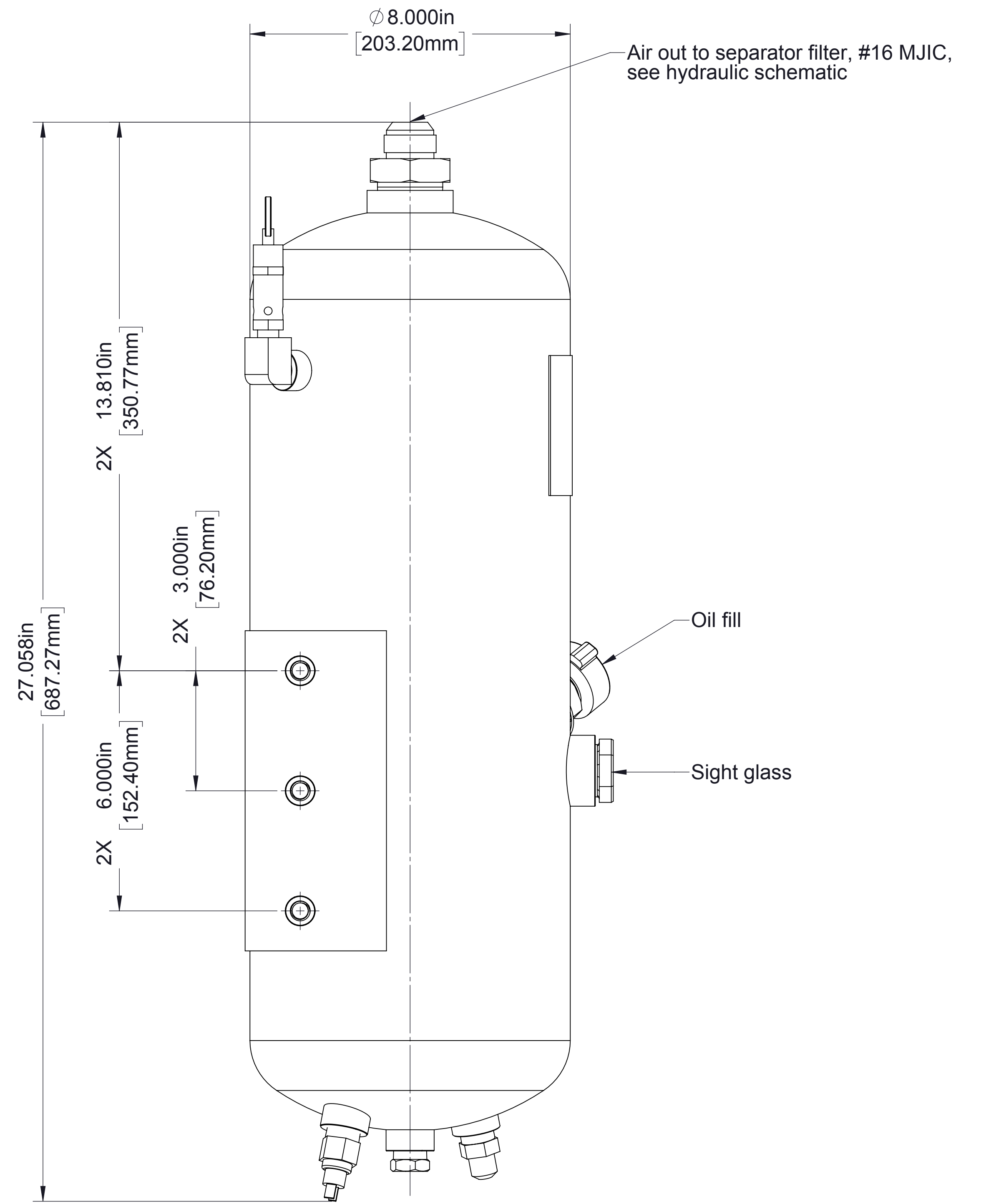
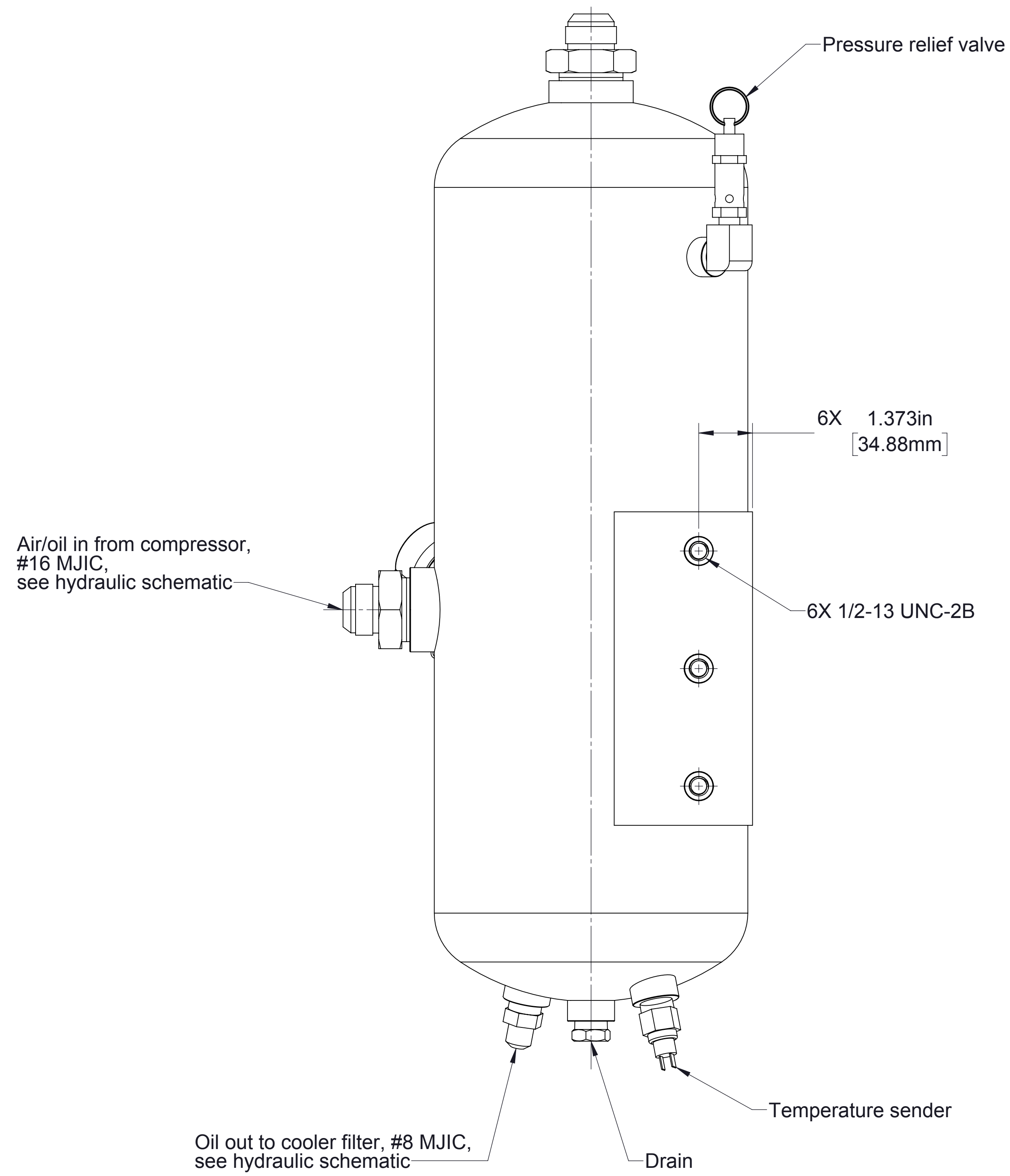
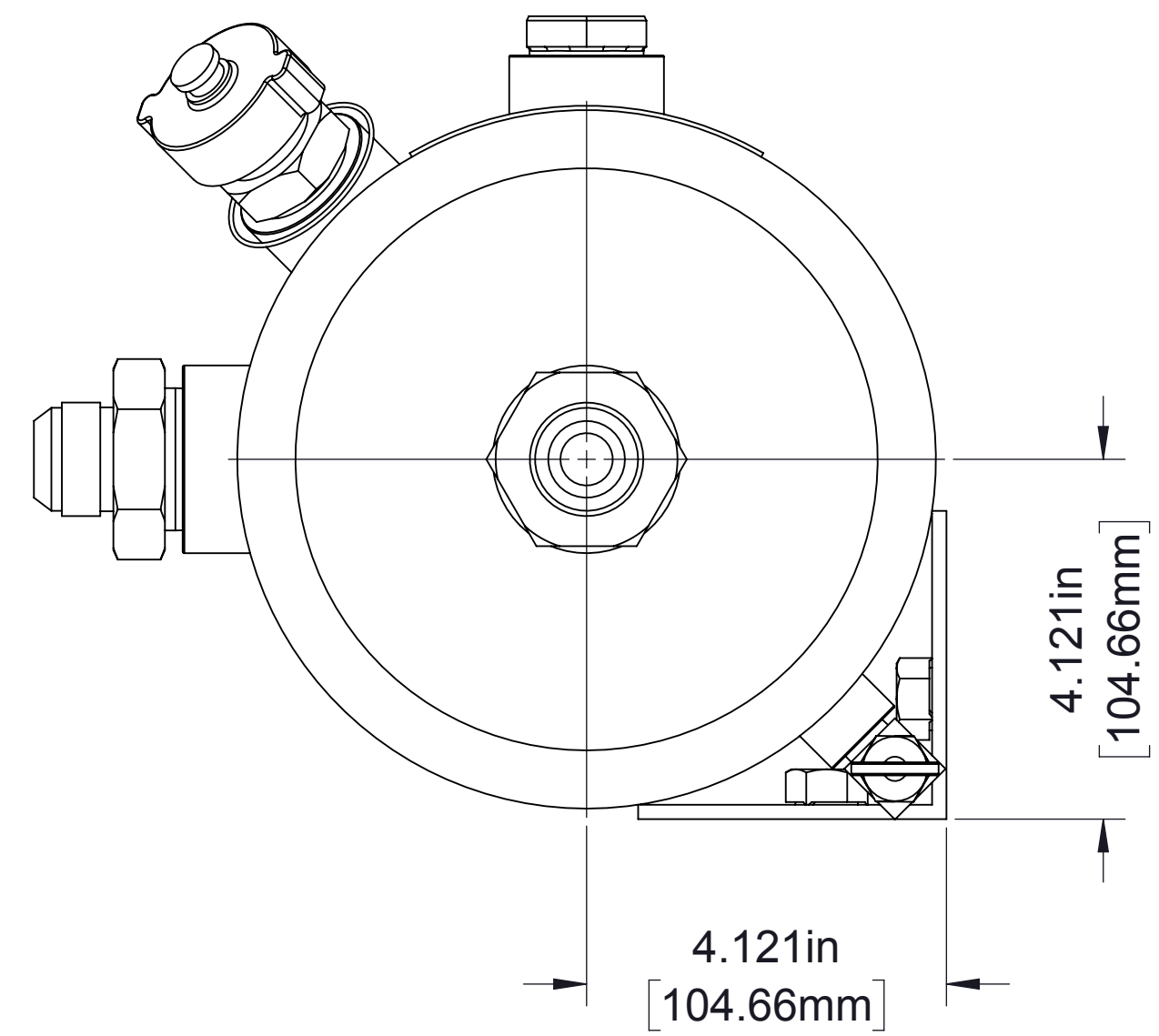
1410, part number V 2591



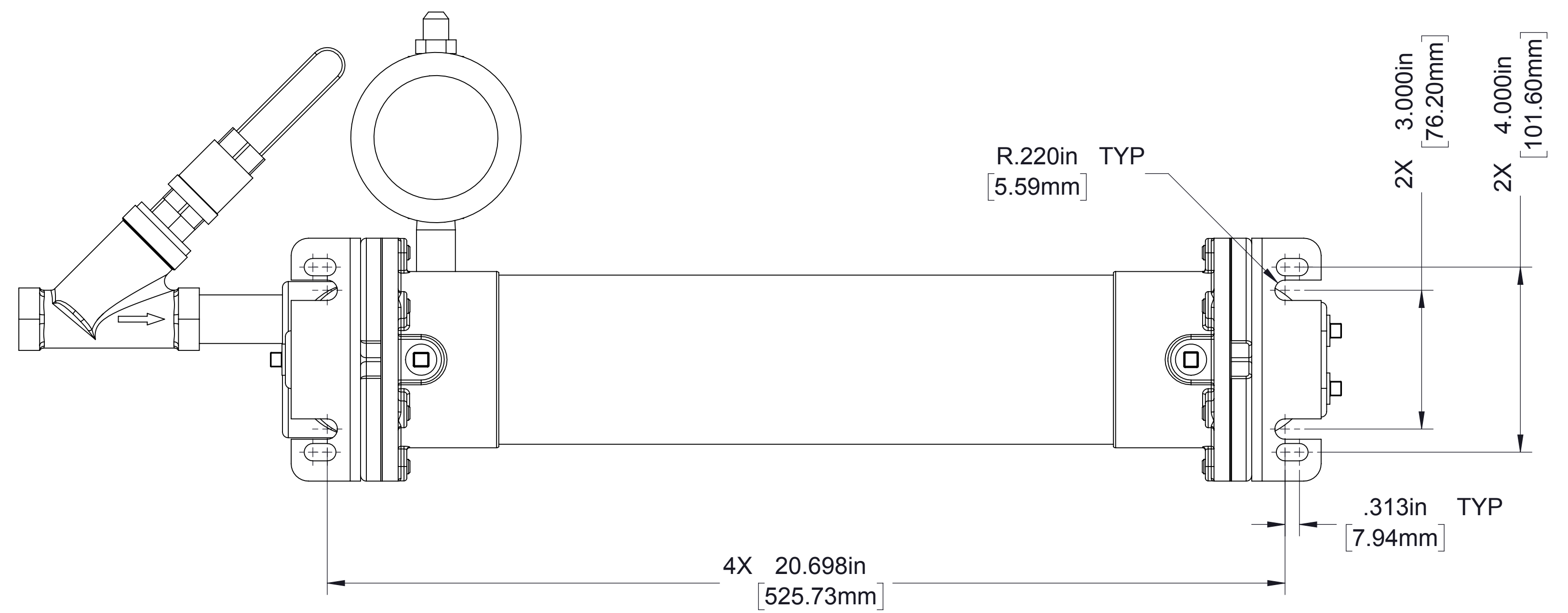
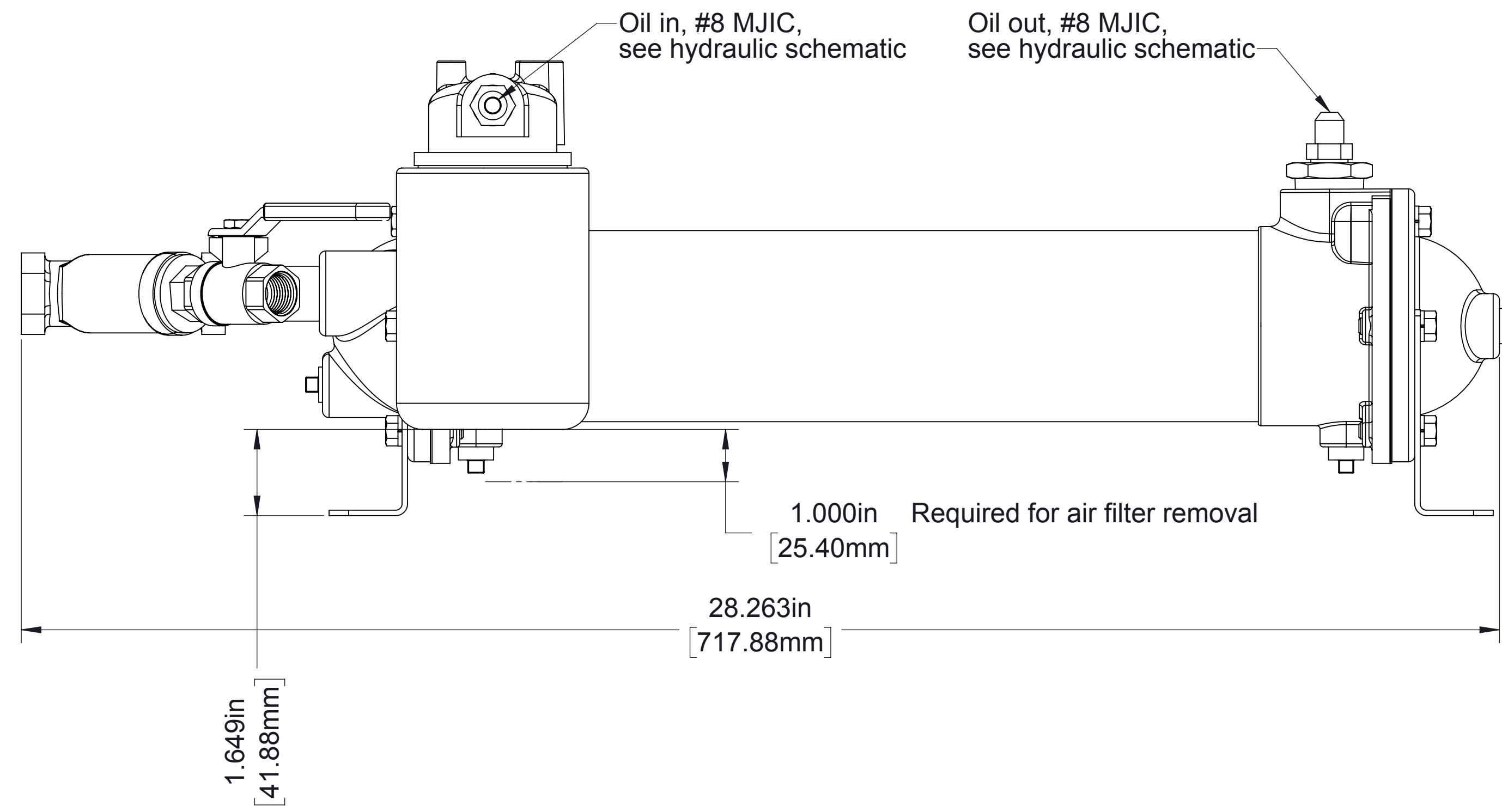
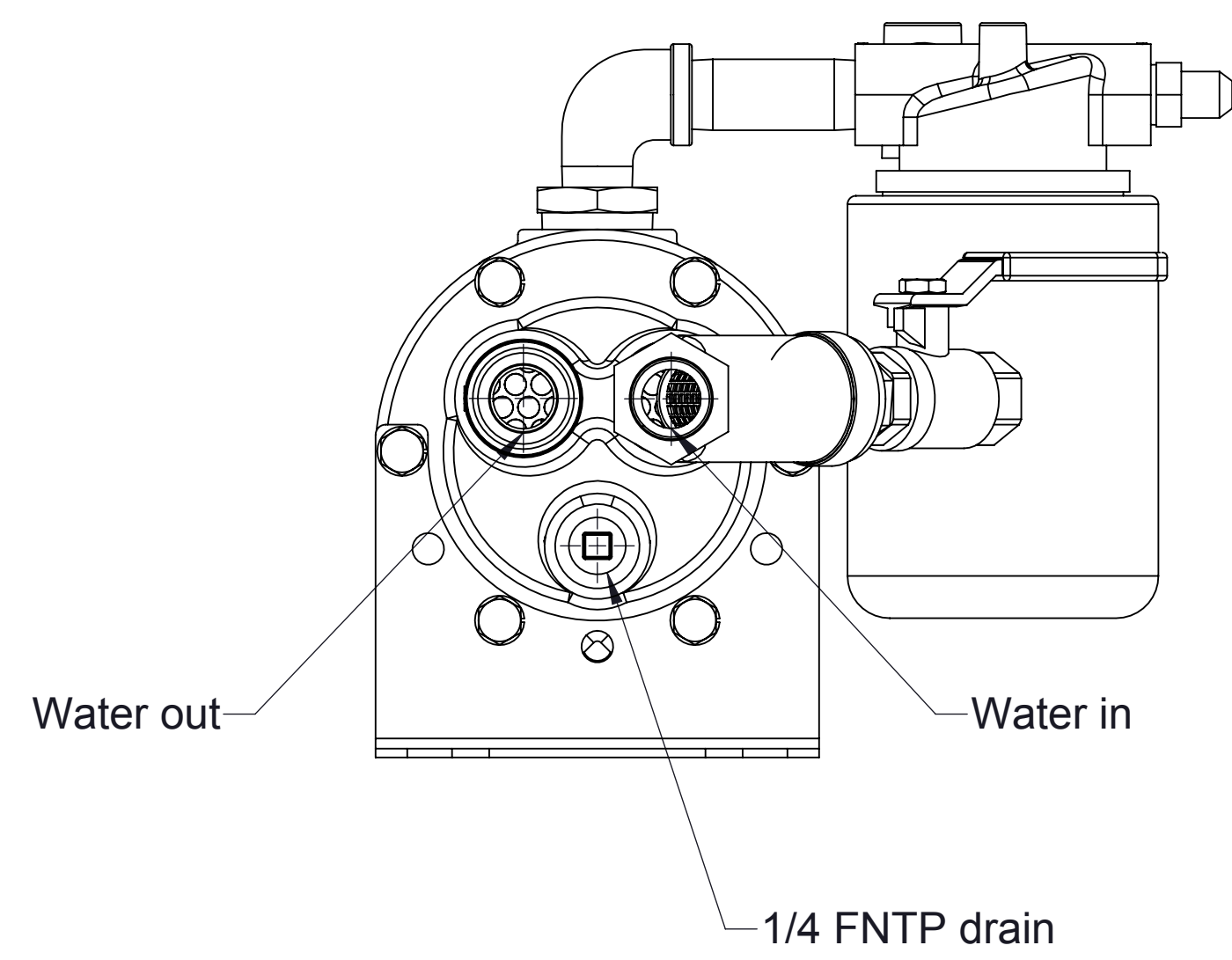
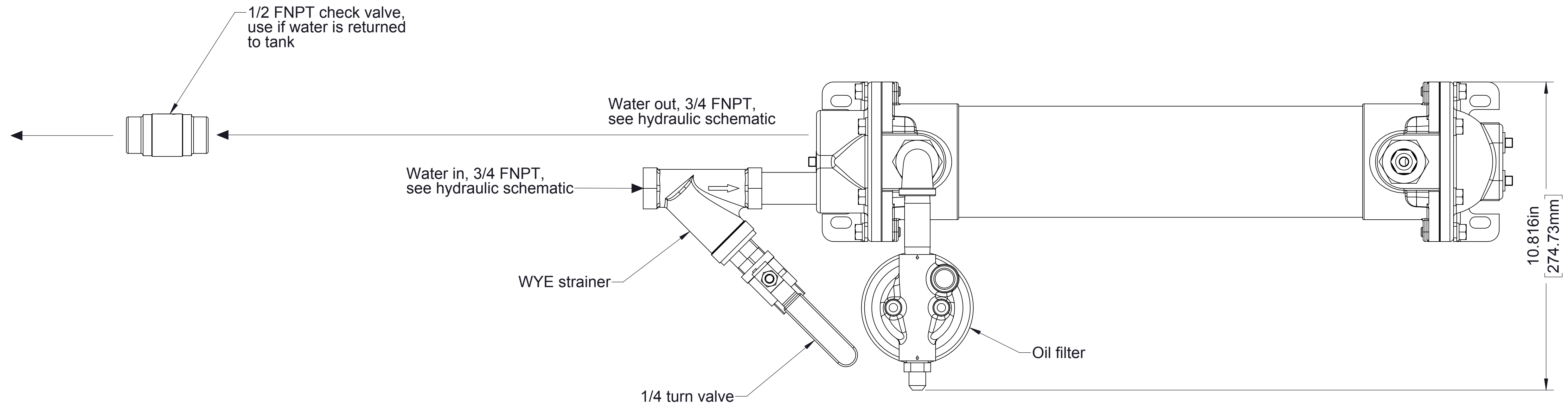
1350, part number V 1641

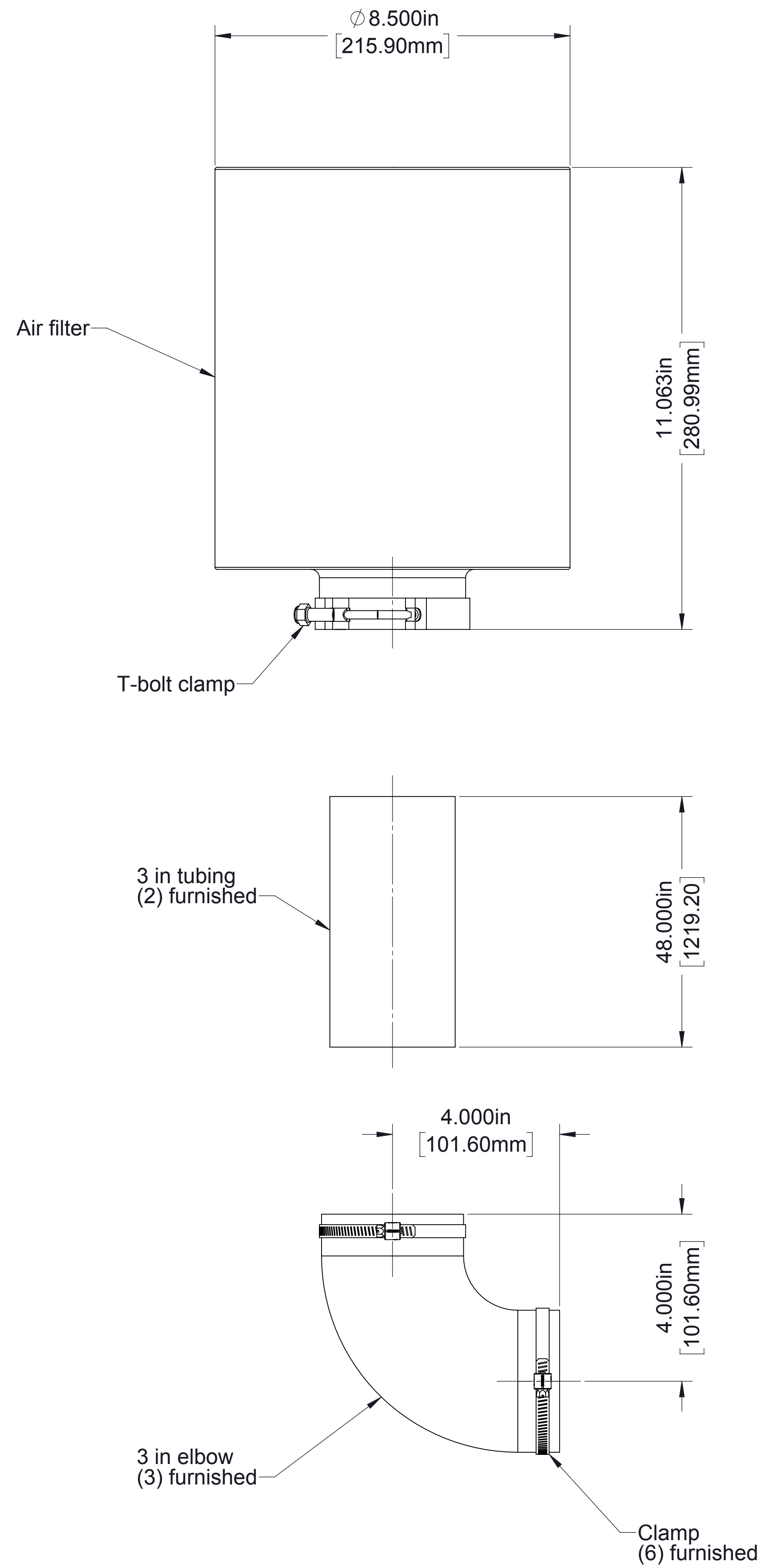
Companion Flange and End Yoke				
Type	Series	Part Number	DIM A	DIM B
Companion Flange	1350/1410	V 2593	6.363/161.62	9.750/247.65
	70 mm Male Pilot	73276	6.635/168.54	10.023/254.57
	70 mm Female Pilot	73377	6.550/166.38	9.983/252.41
	DIN 100	73327	6.635/168.54	10.023/254.57
End Yoke	1350	V 1641	7.325/186.05	10.712/272.08
	1410	V 2591	7.488/190.19	10.875/276.23

Available Companion Flanges and End Yokes

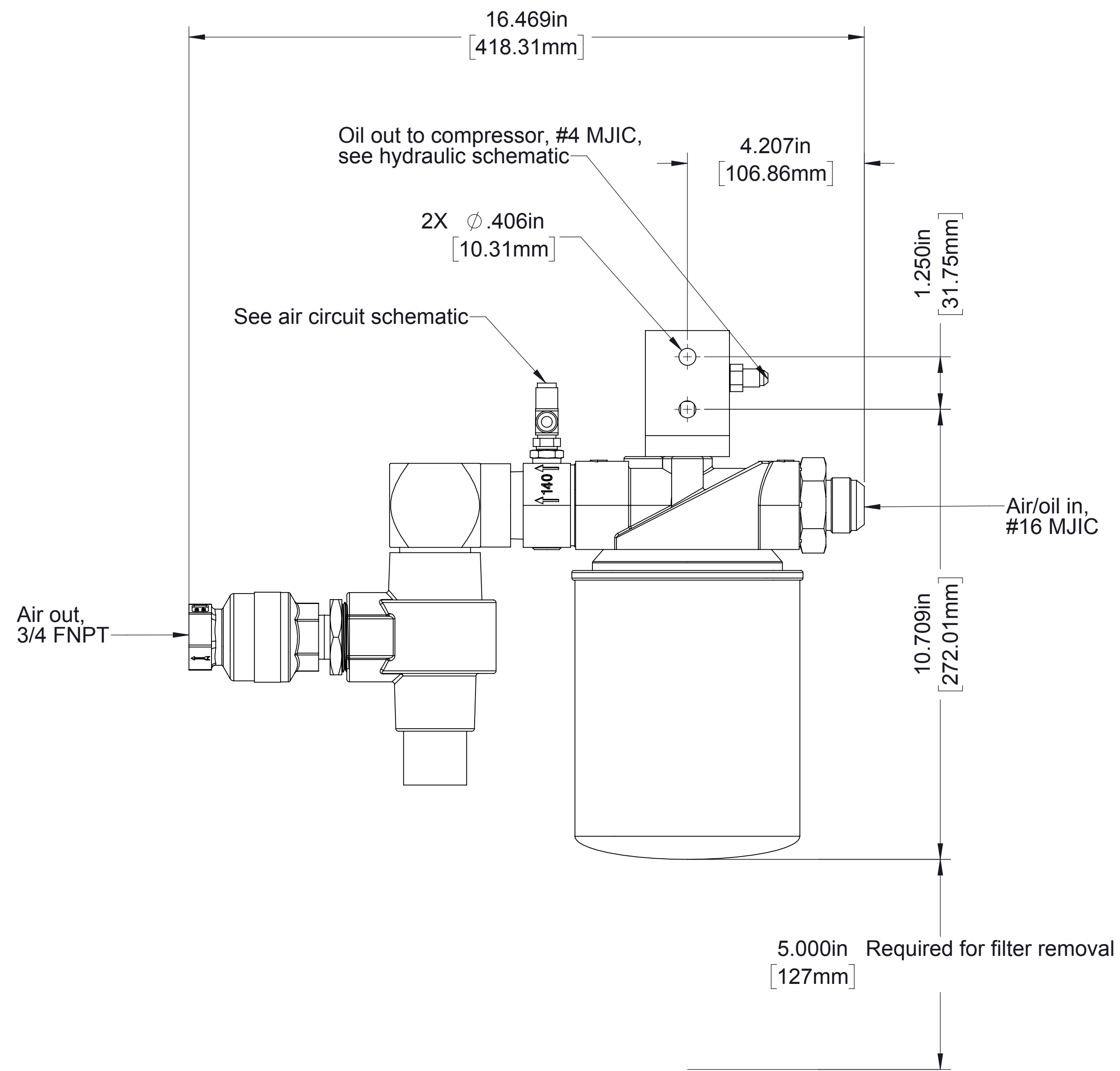


Sump (Oil Reservoir)

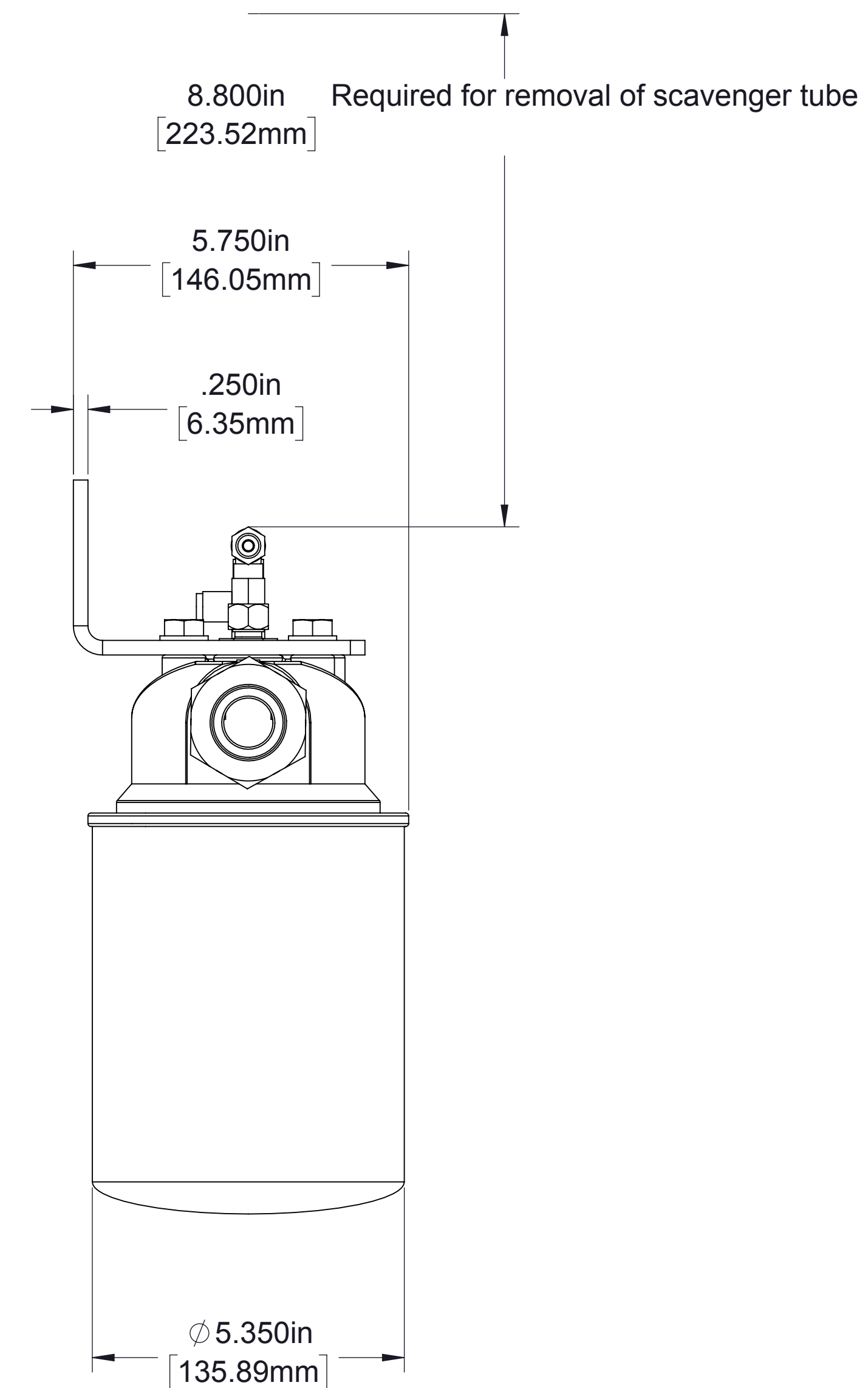


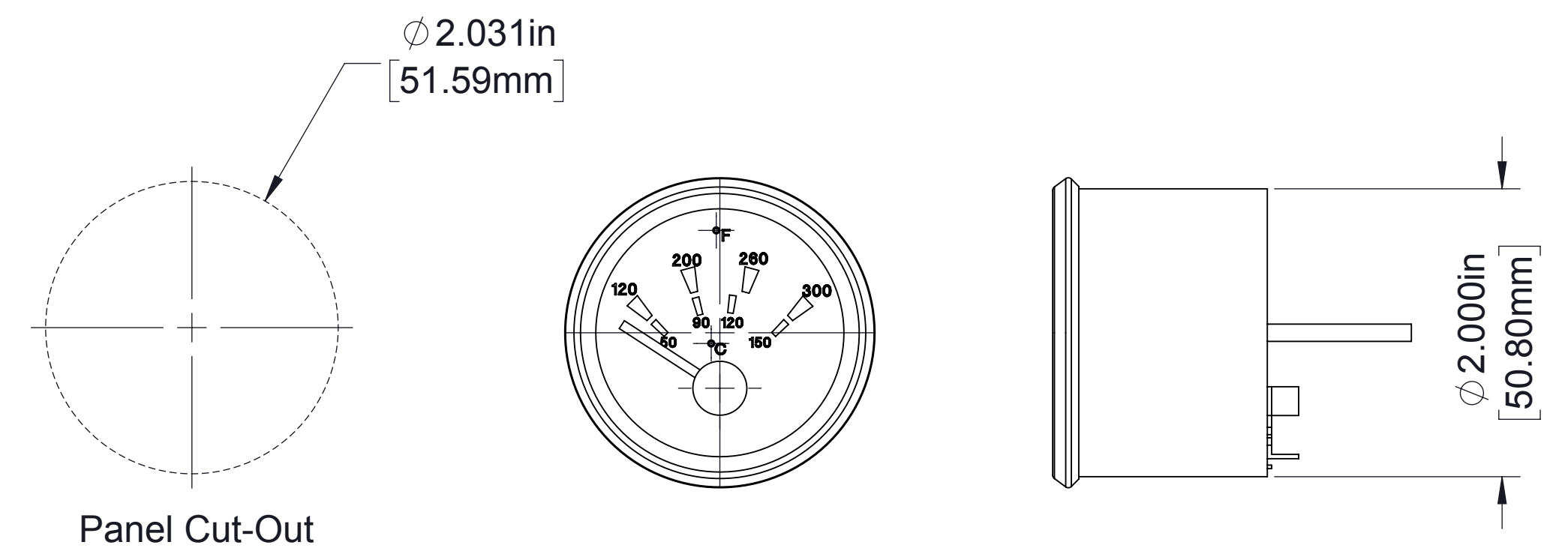
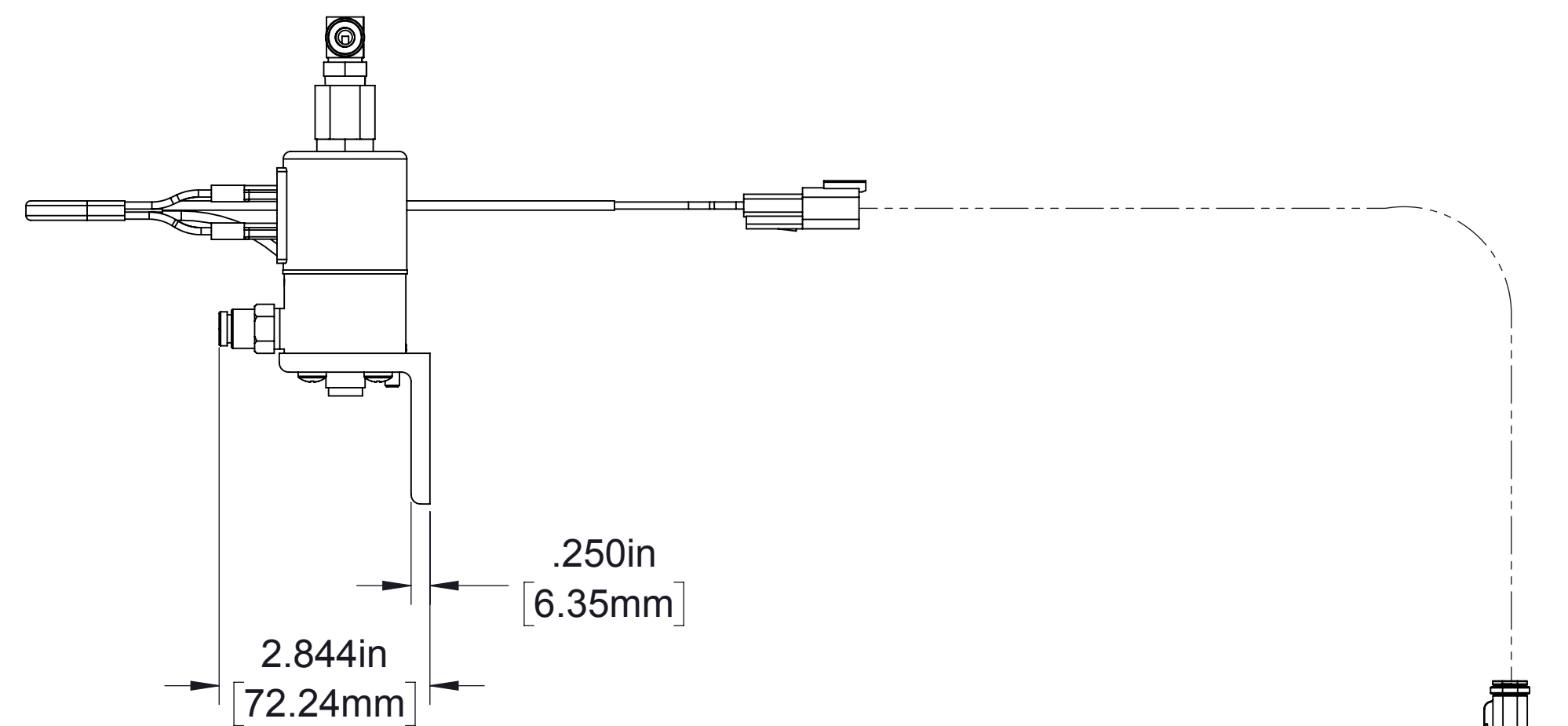
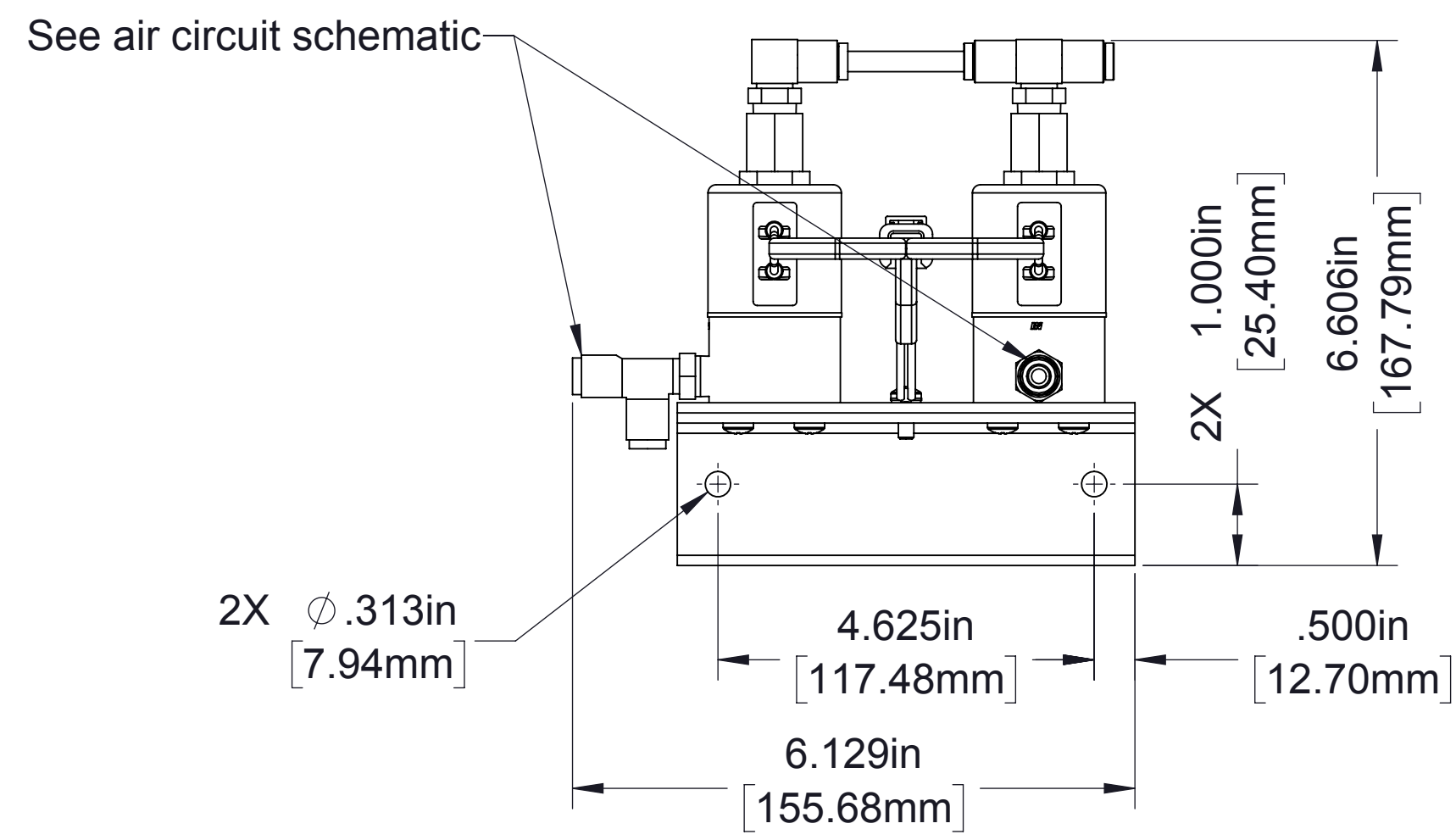


Air Filter

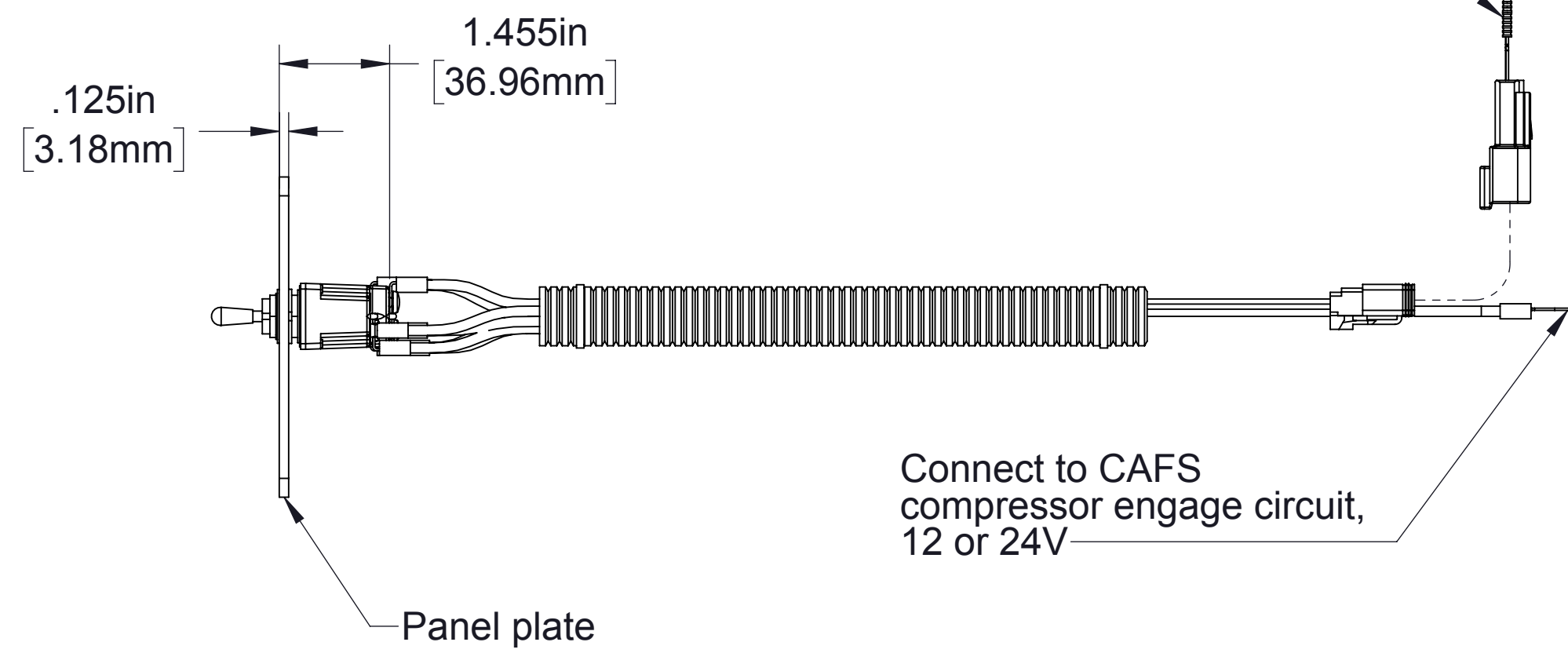
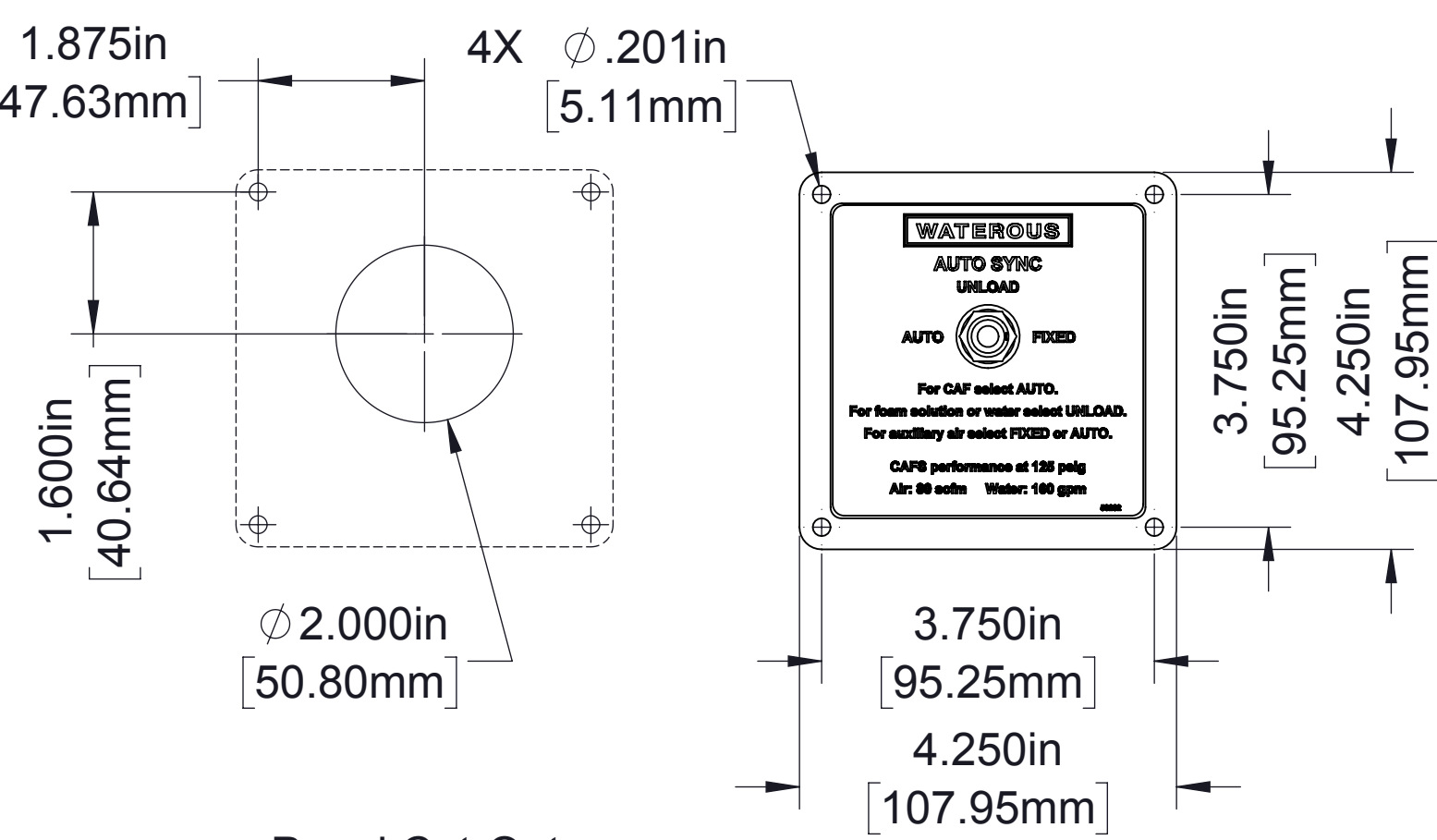


Separator Filter

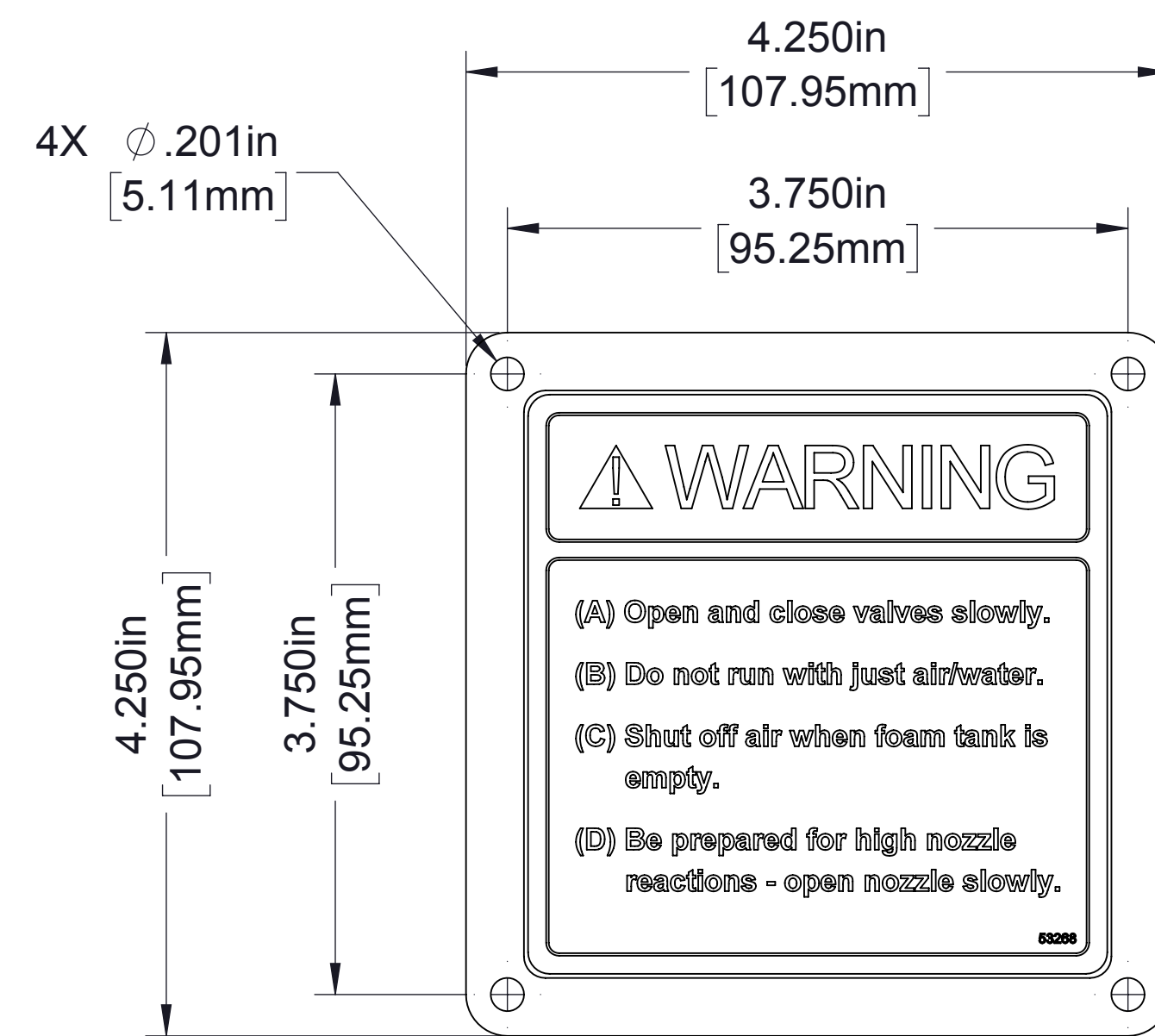




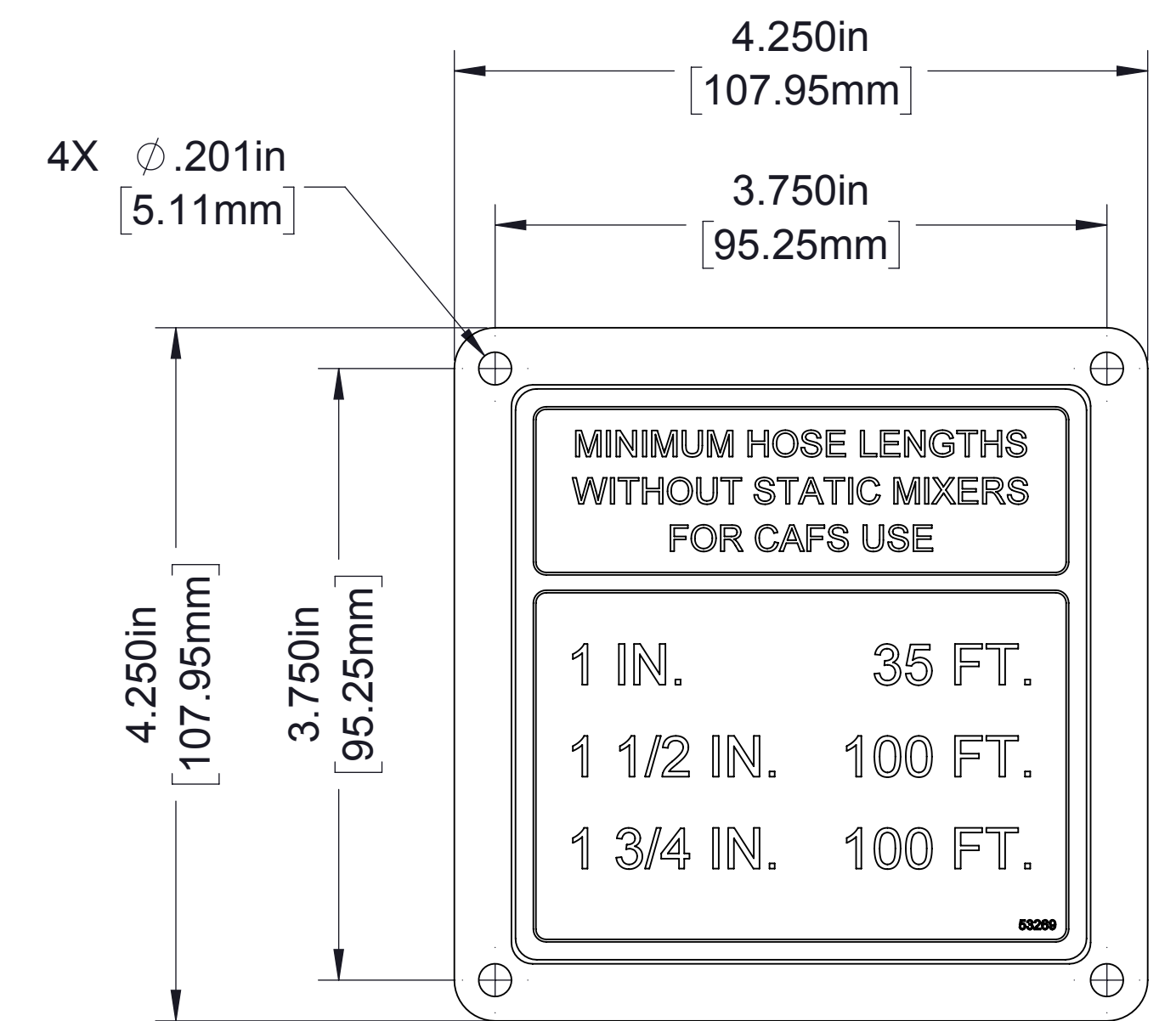
Oil Temperature Gauge
(Wiring to sump temperature sender not furnished by Waterous)



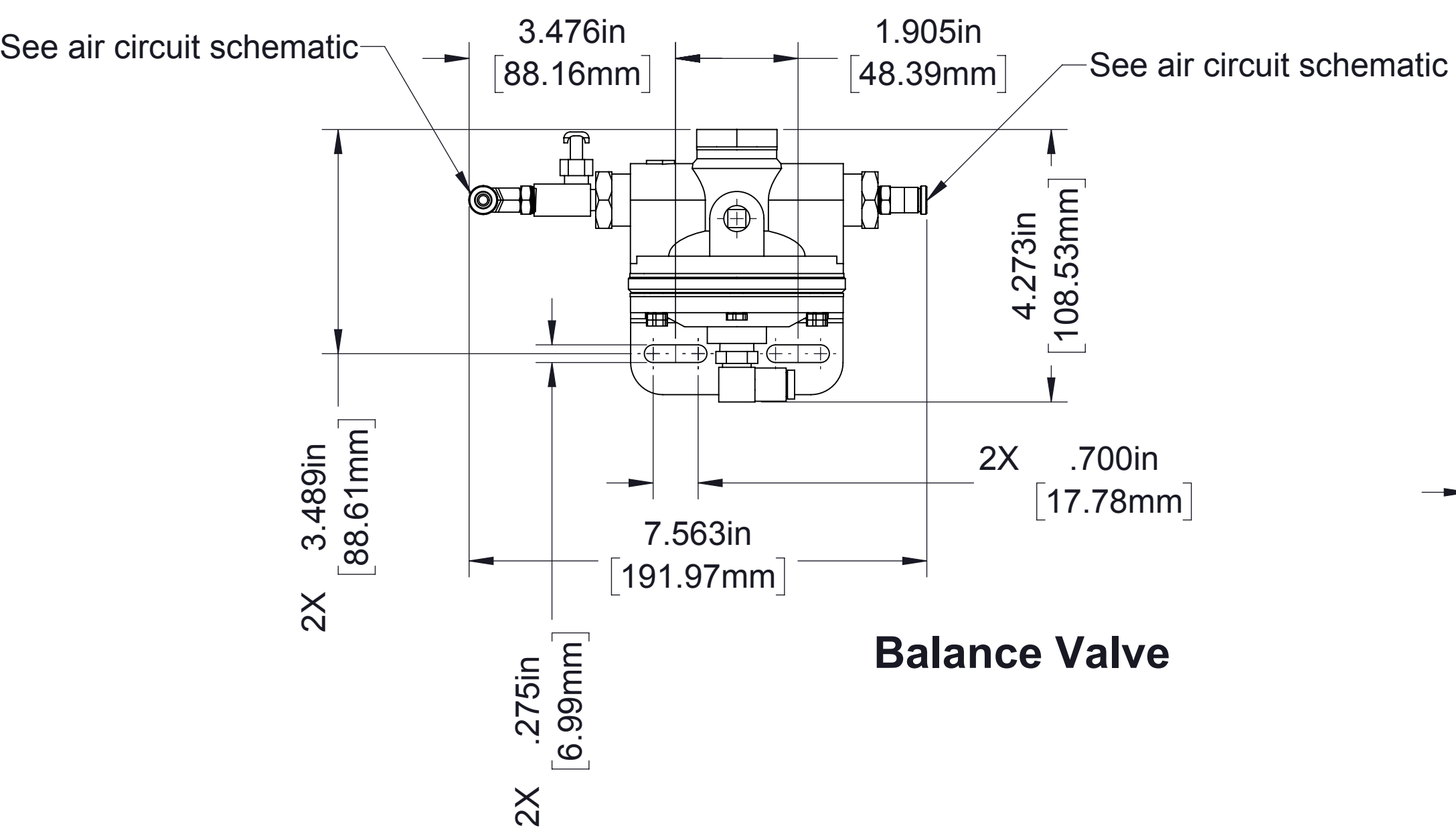
Auto-Sync



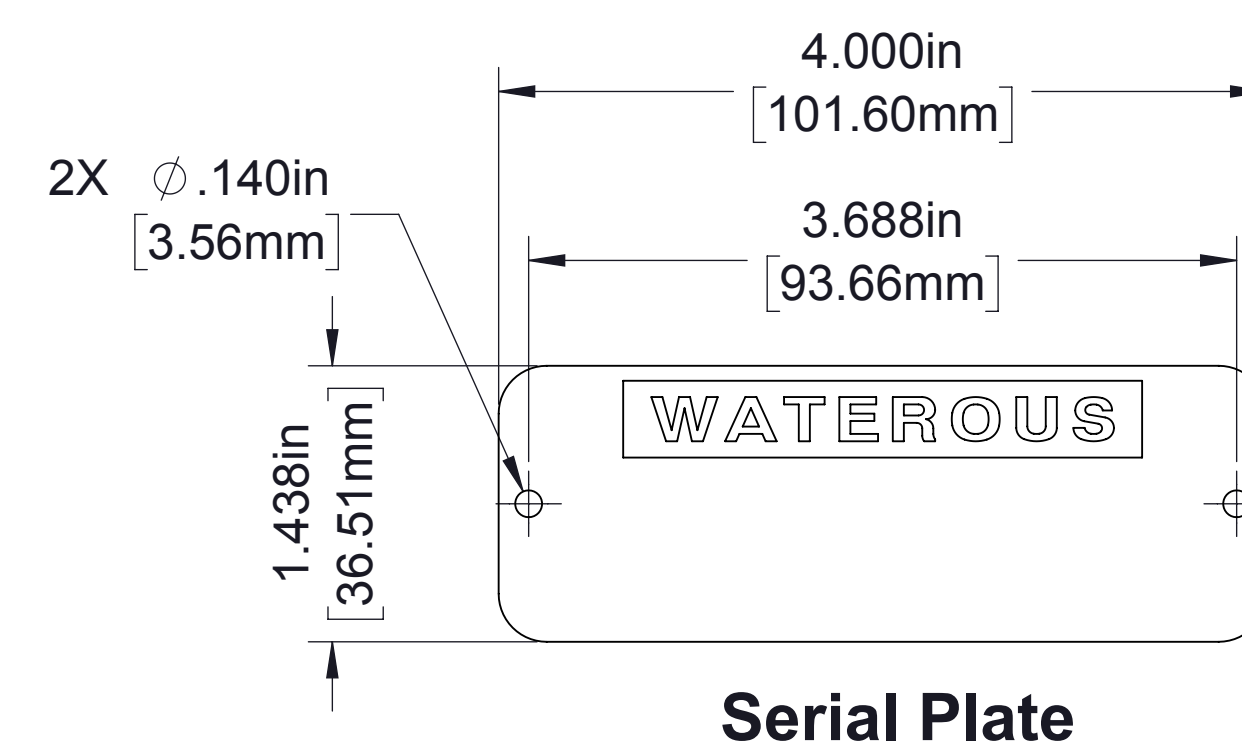
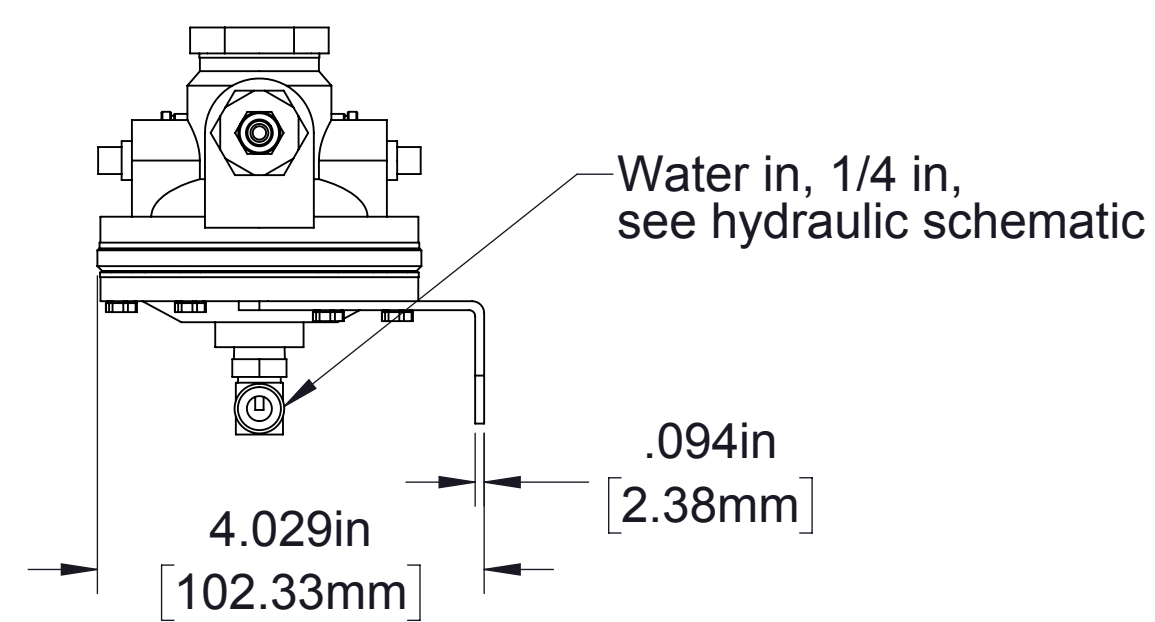
CAFS Warning



Hose Length

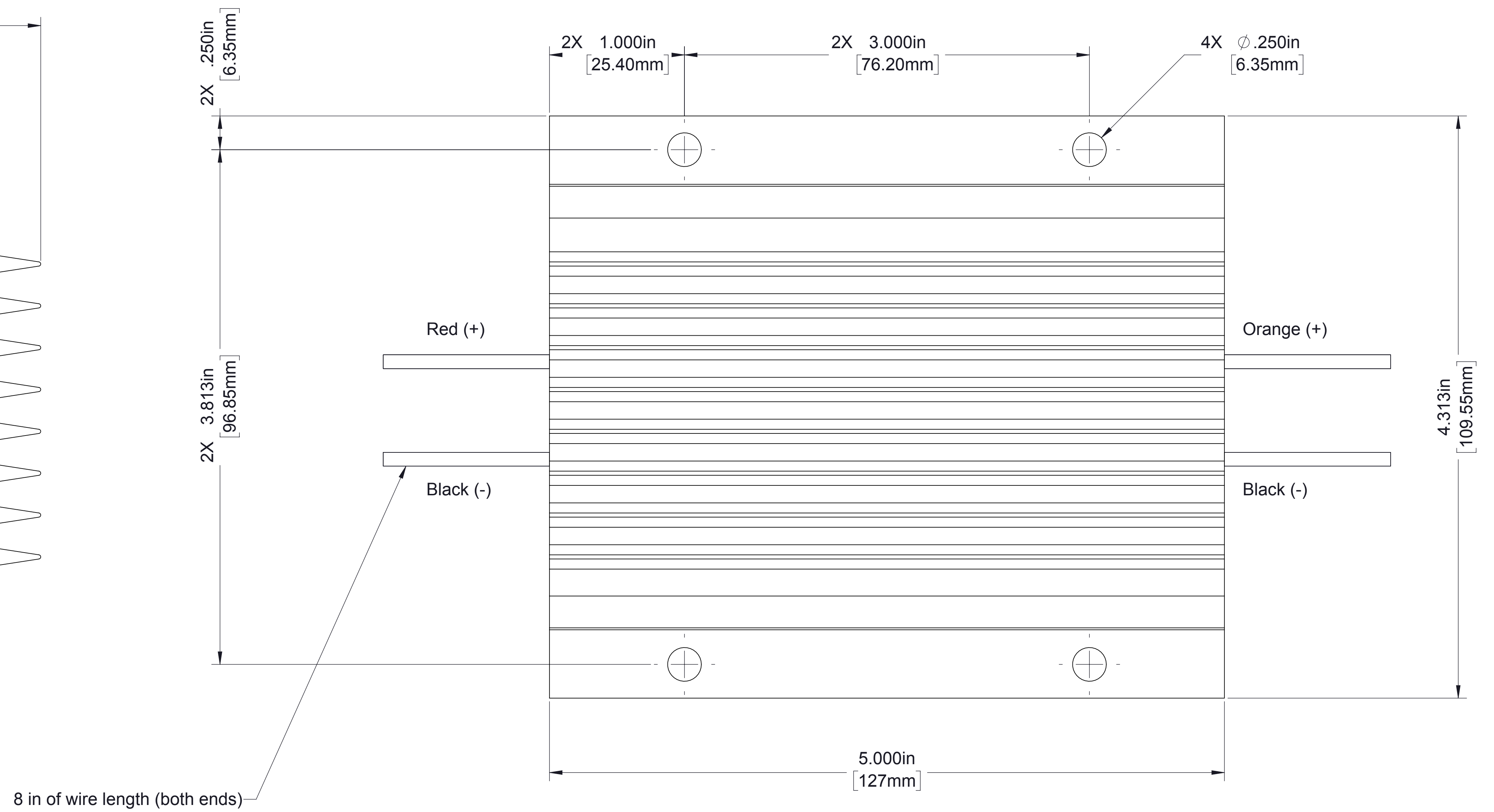
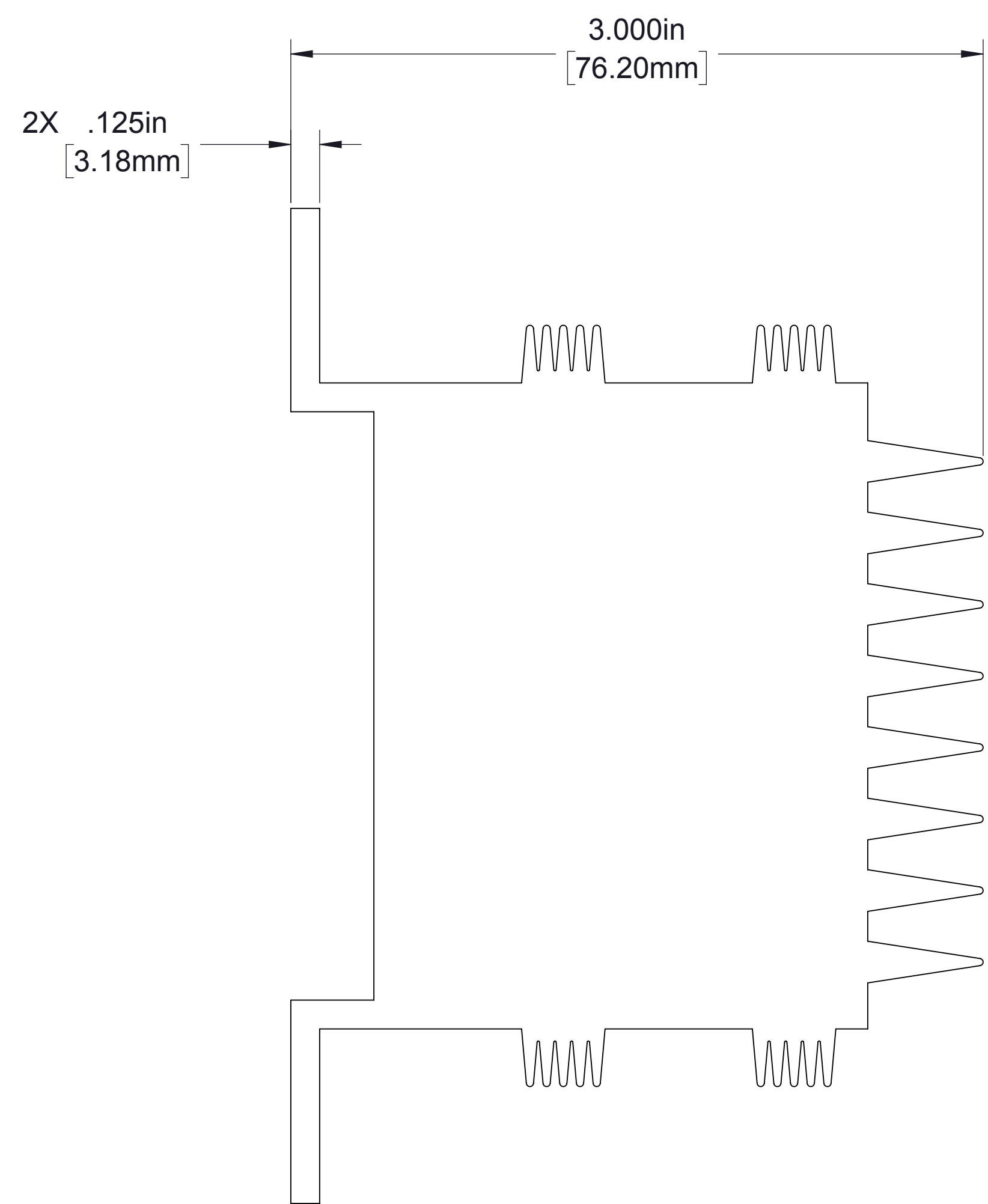


Balance Valve



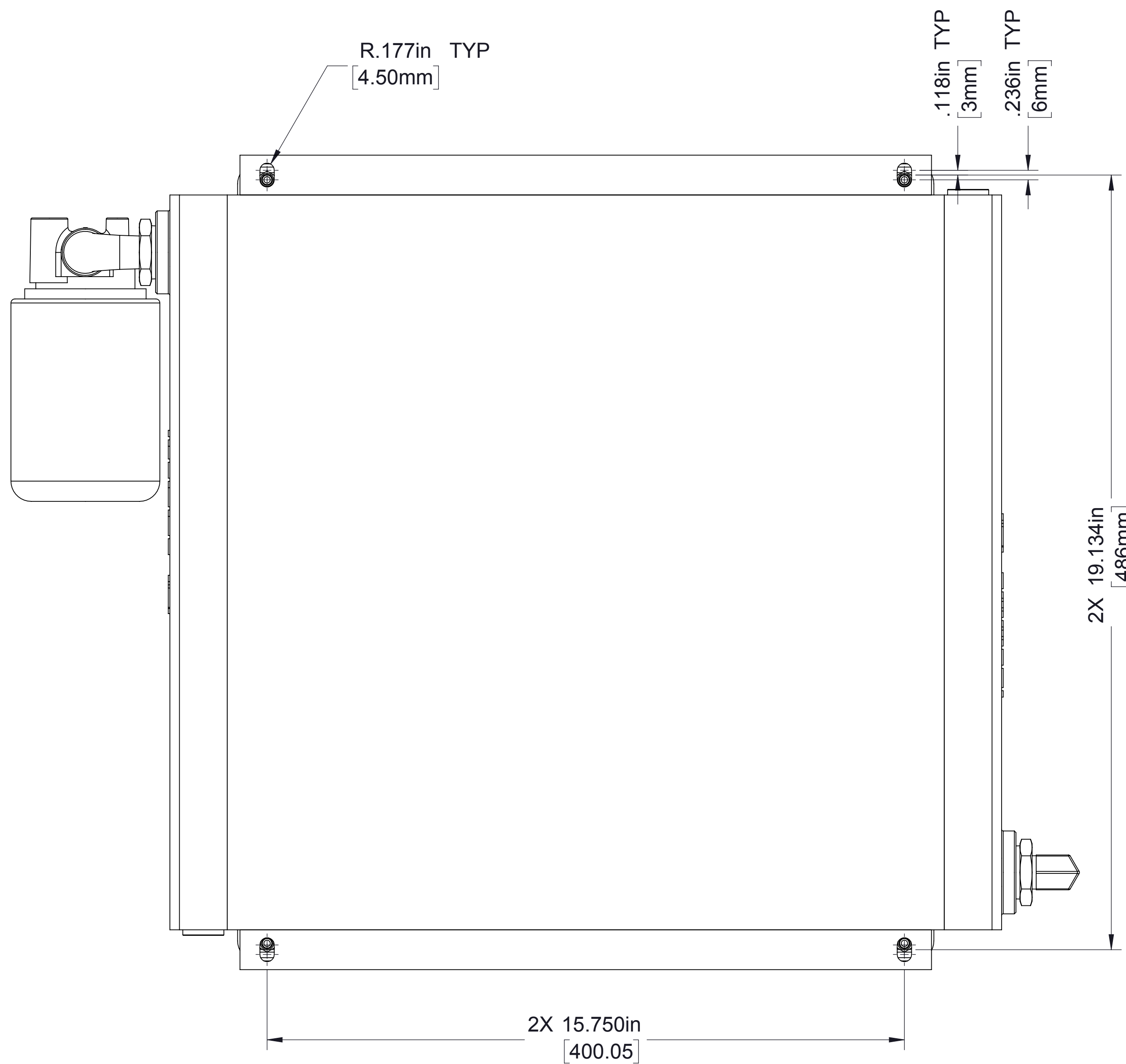
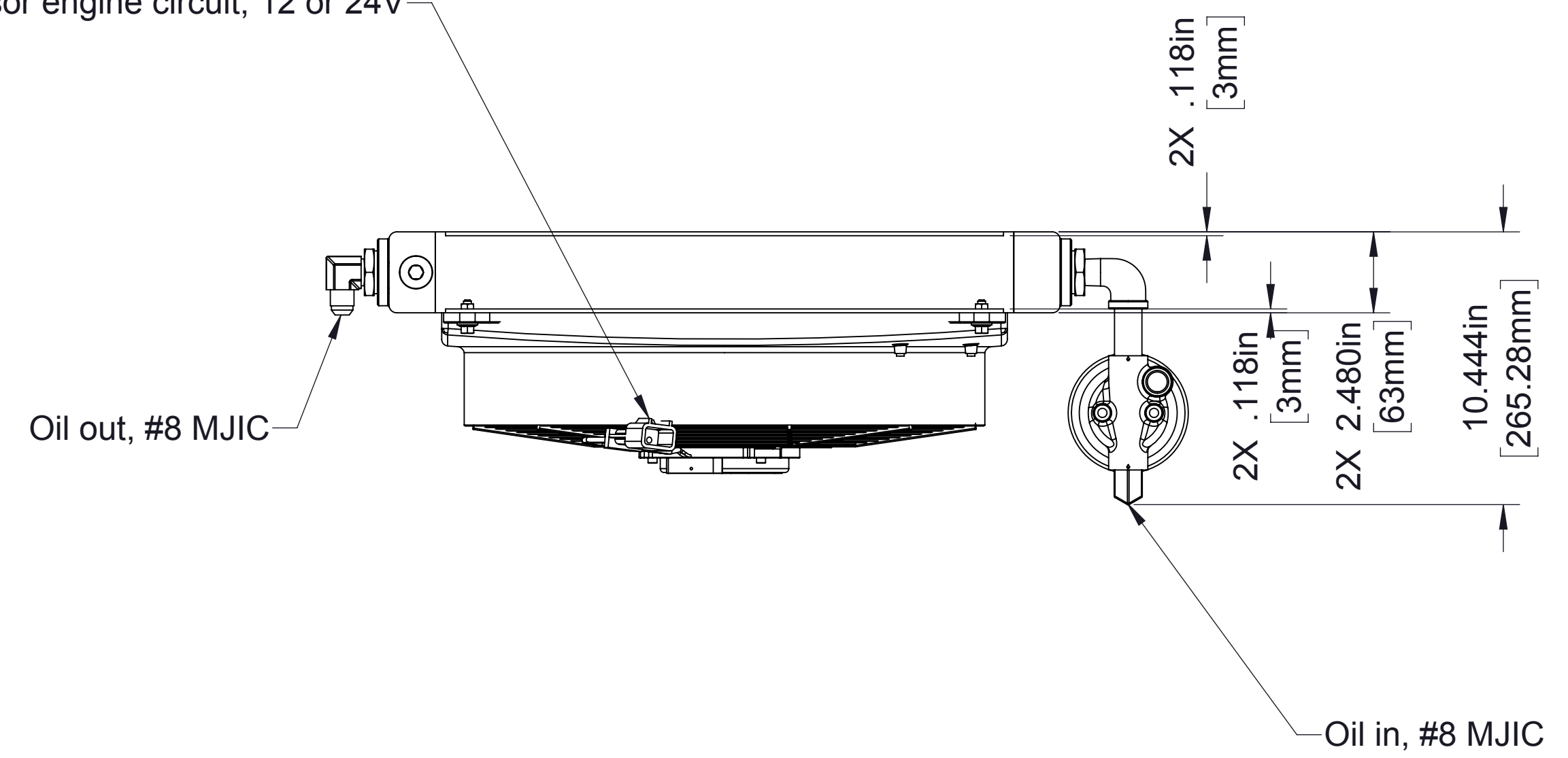
Serial Plate

Panel Plates

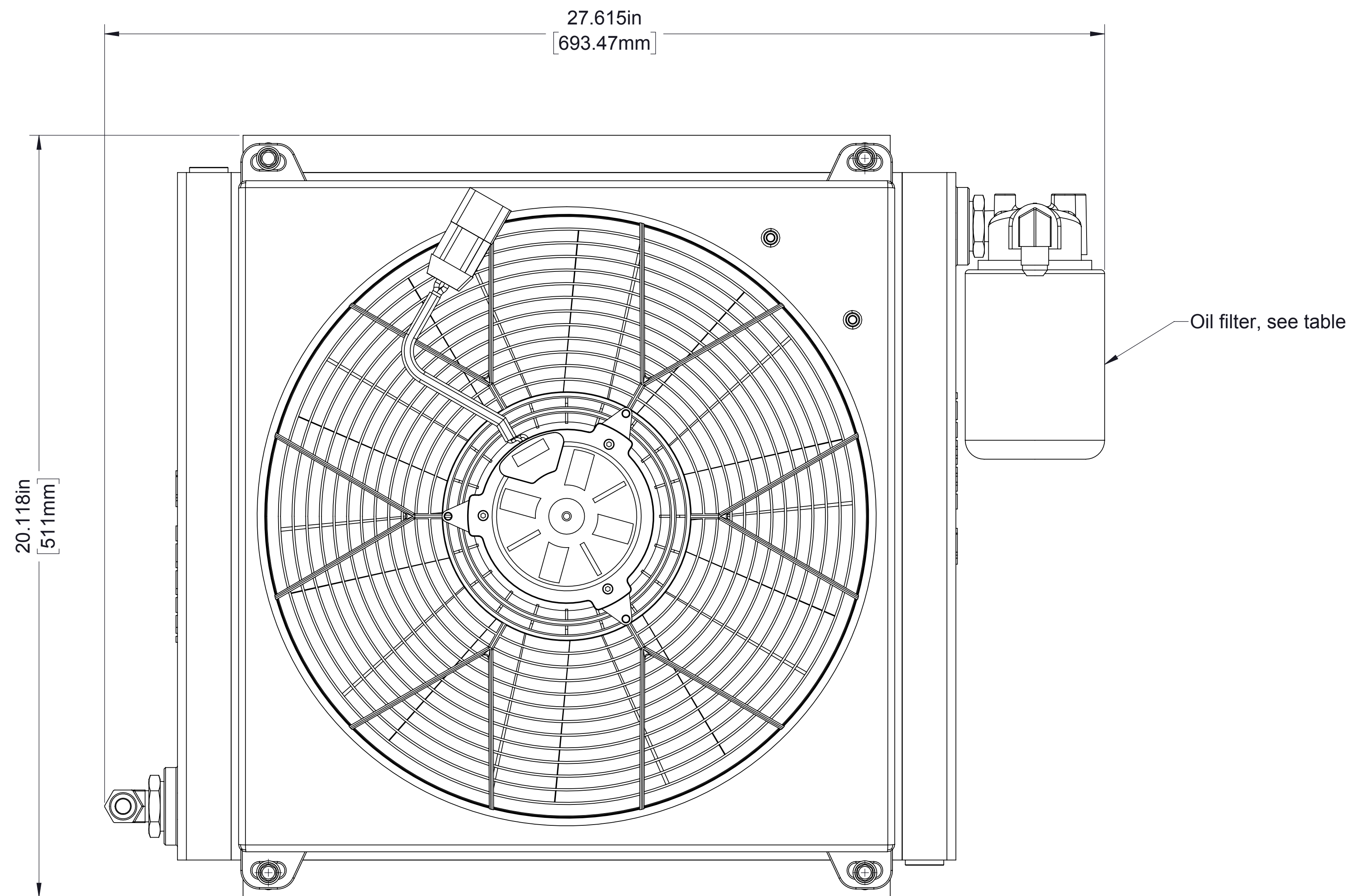


Voltage Converter (24 volt systems only)

Connects to CAFS compressor engine circuit, 12 or 24V



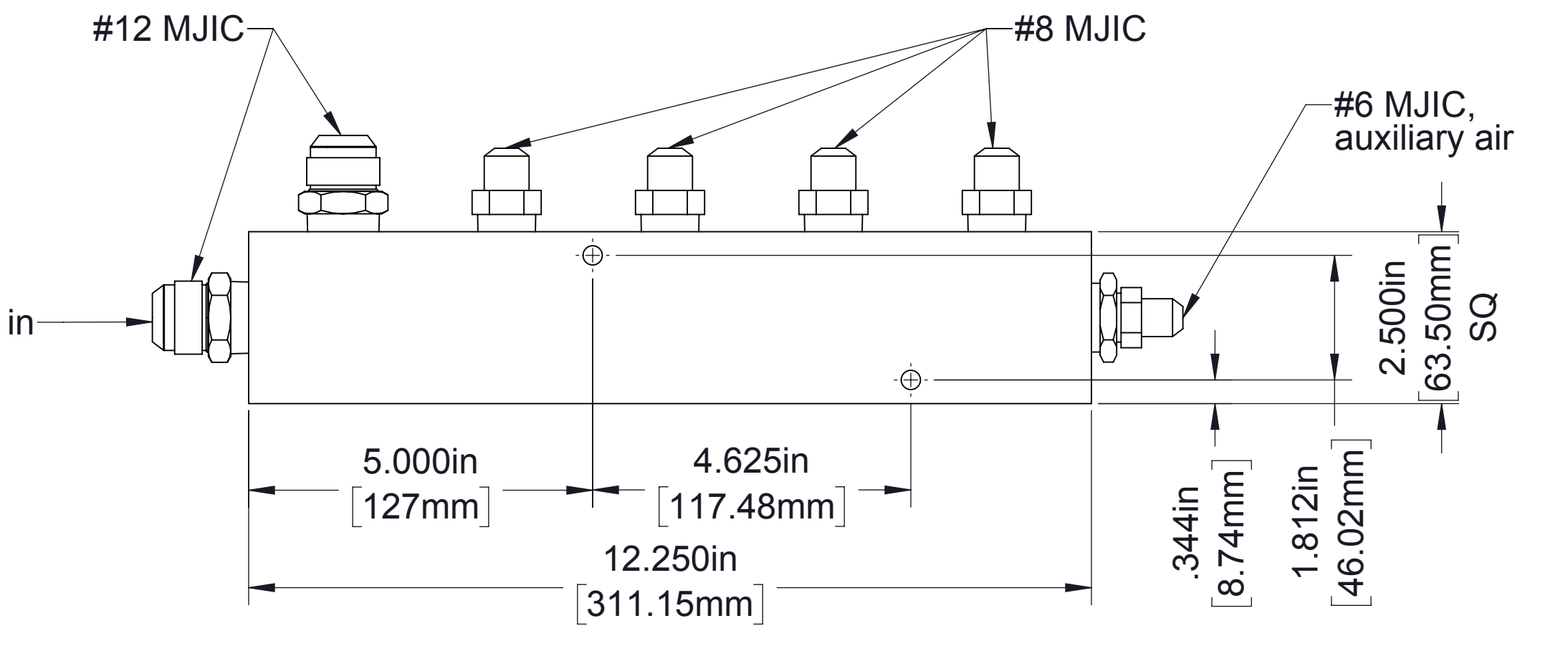
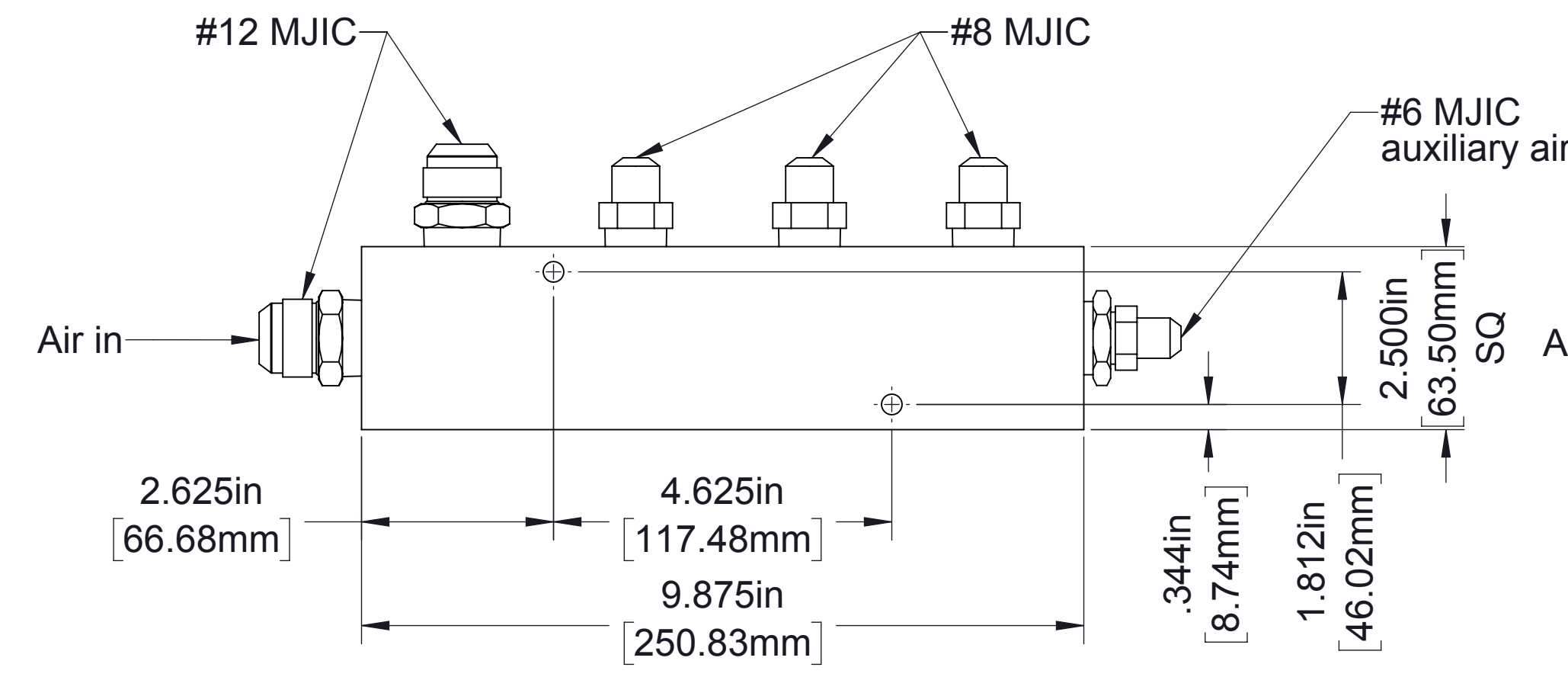
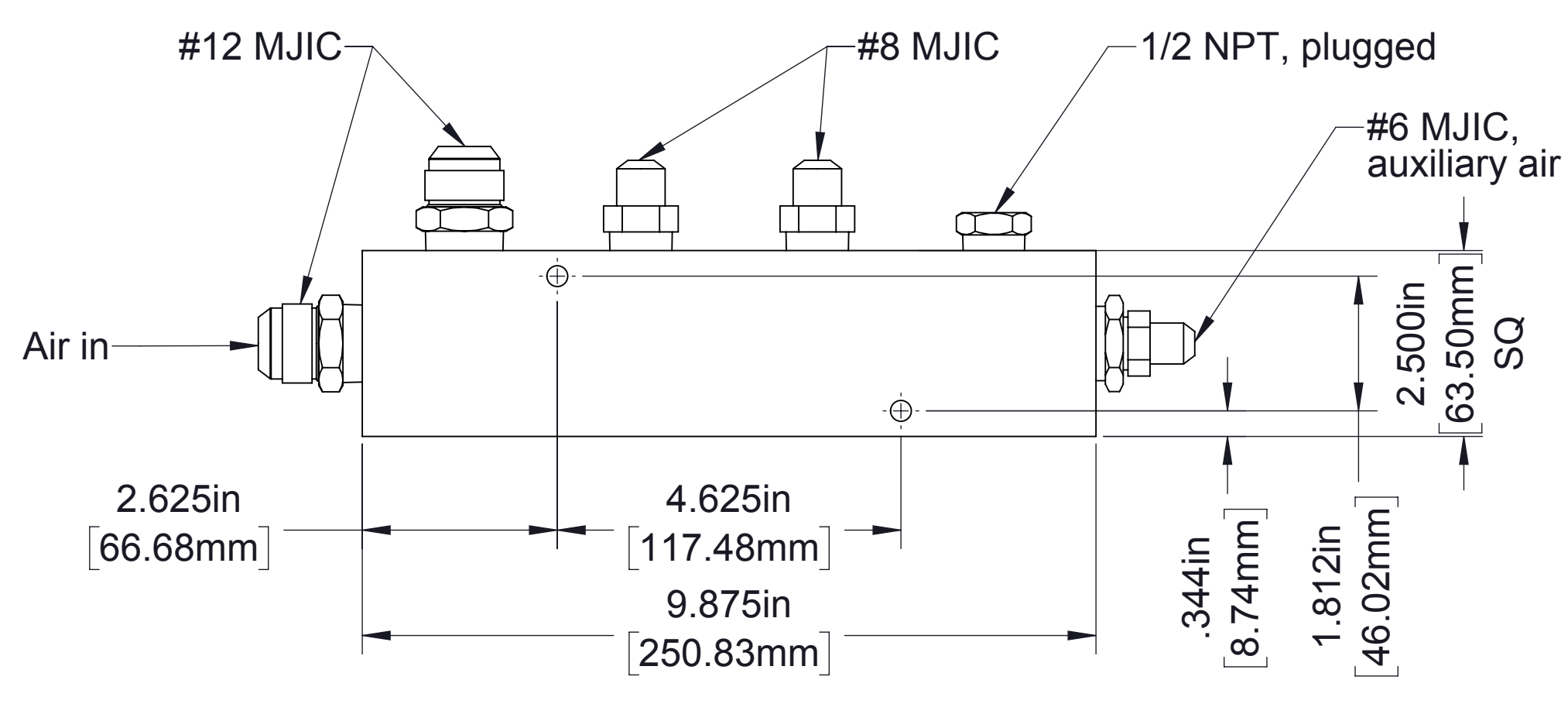
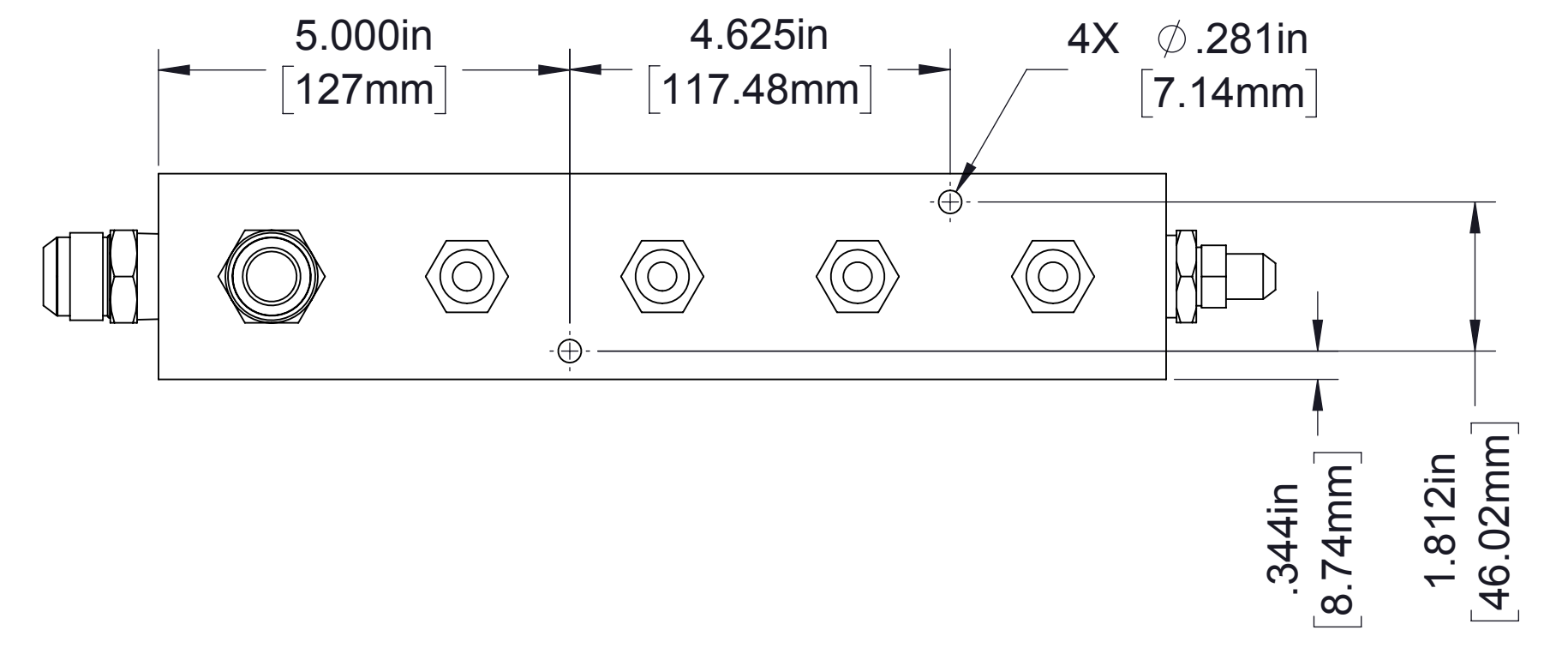
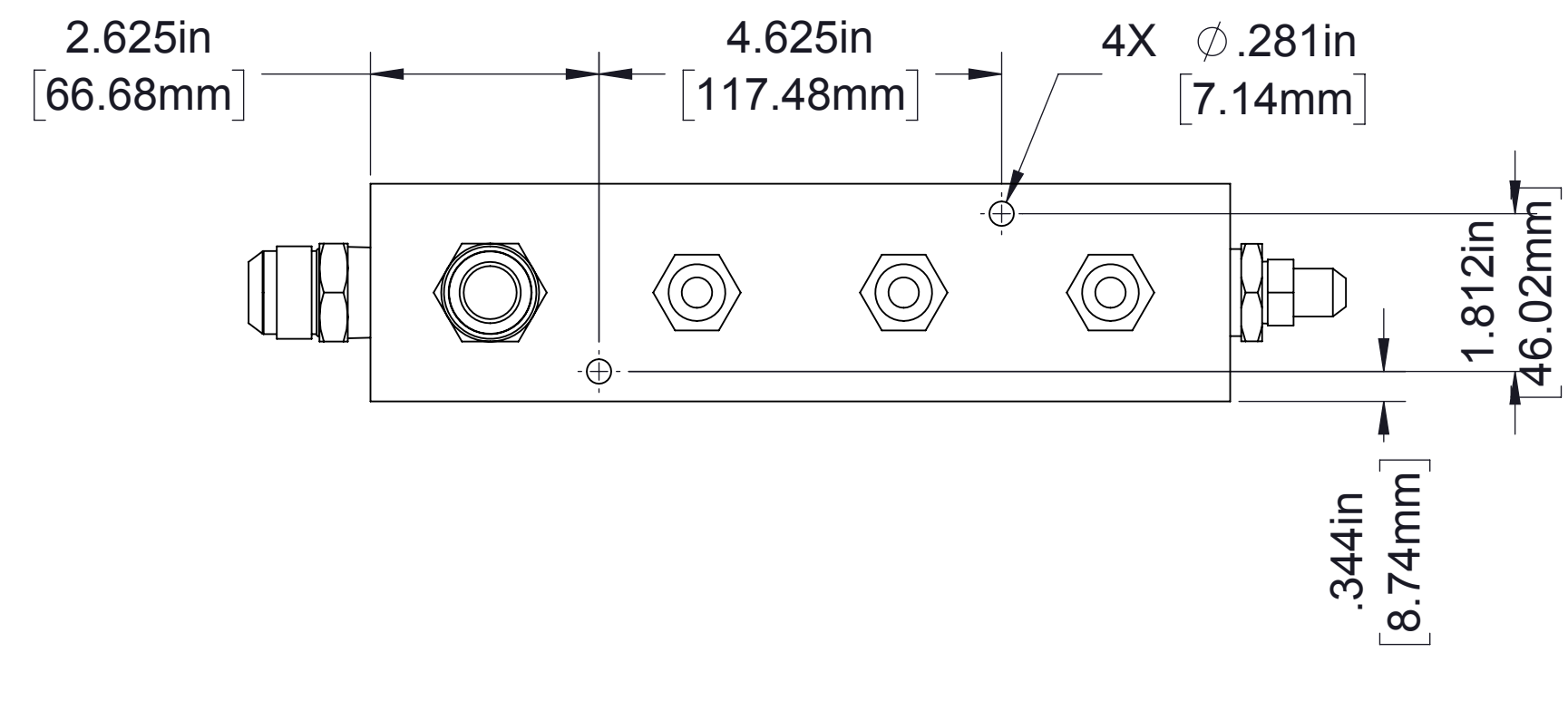
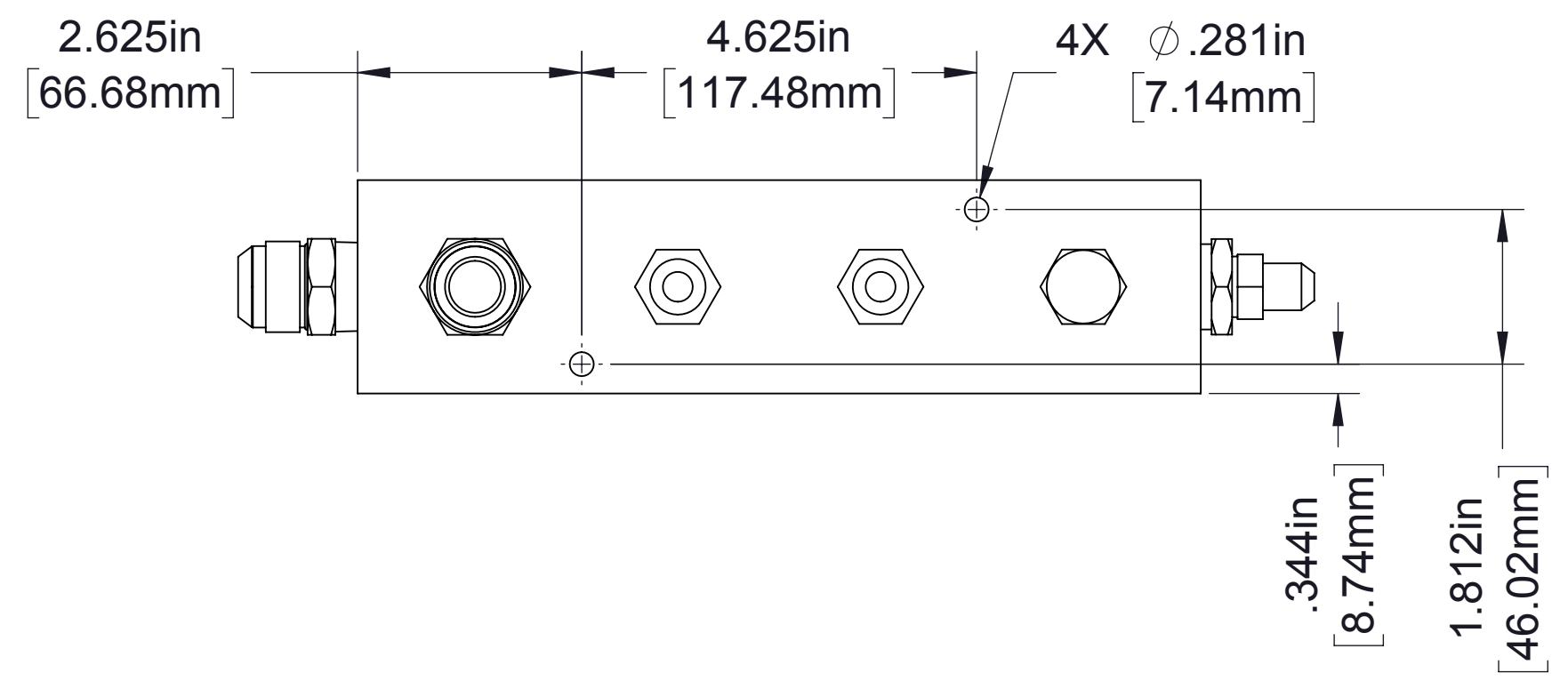
Viewed from back



**Optional Air Cooler
(Electric Fan)**

Available as follows:

Use	Oil Filter
As main cooler	Included
As secondary cooler	Not included (included with oil cooler, see page 4)

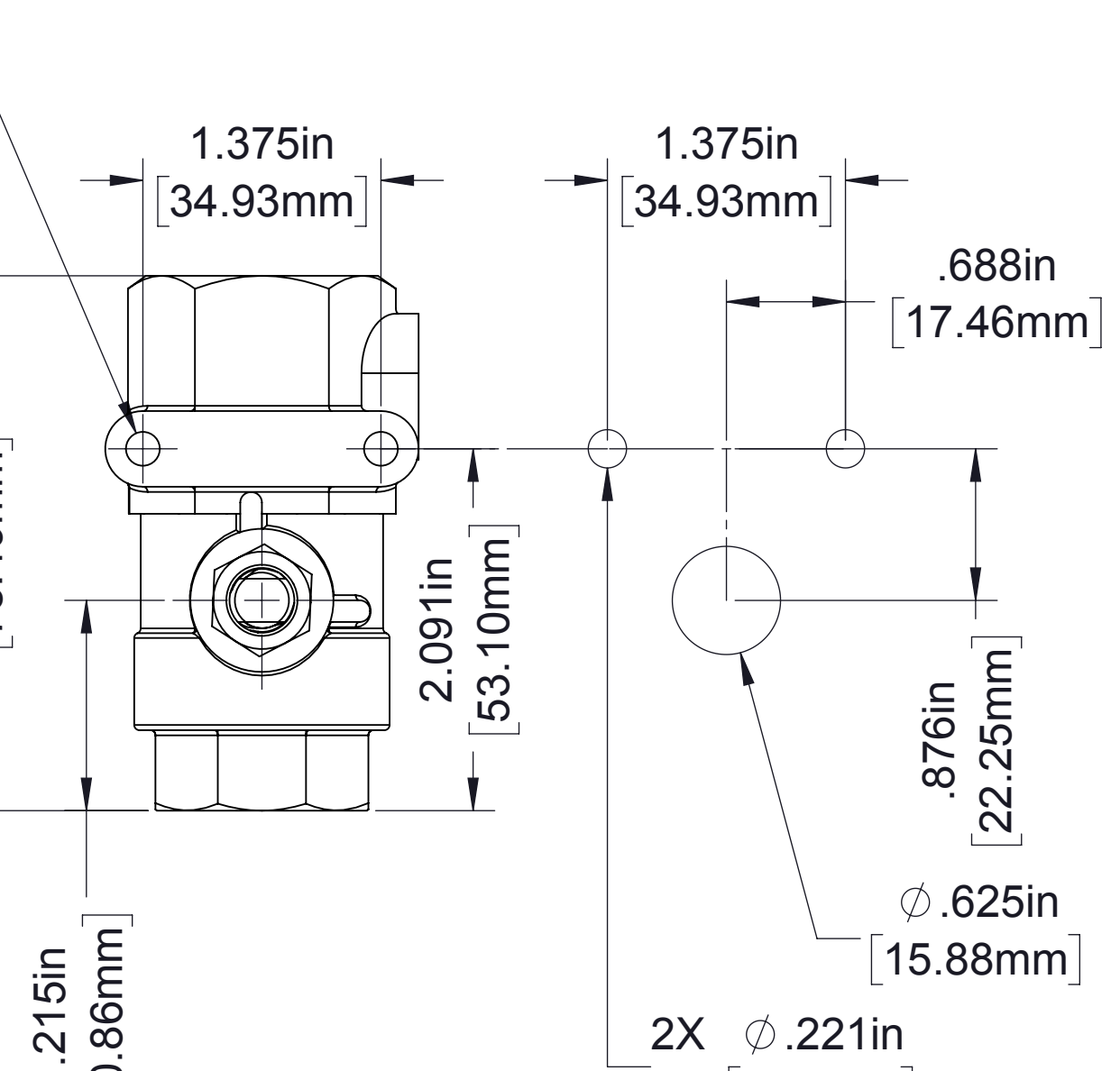
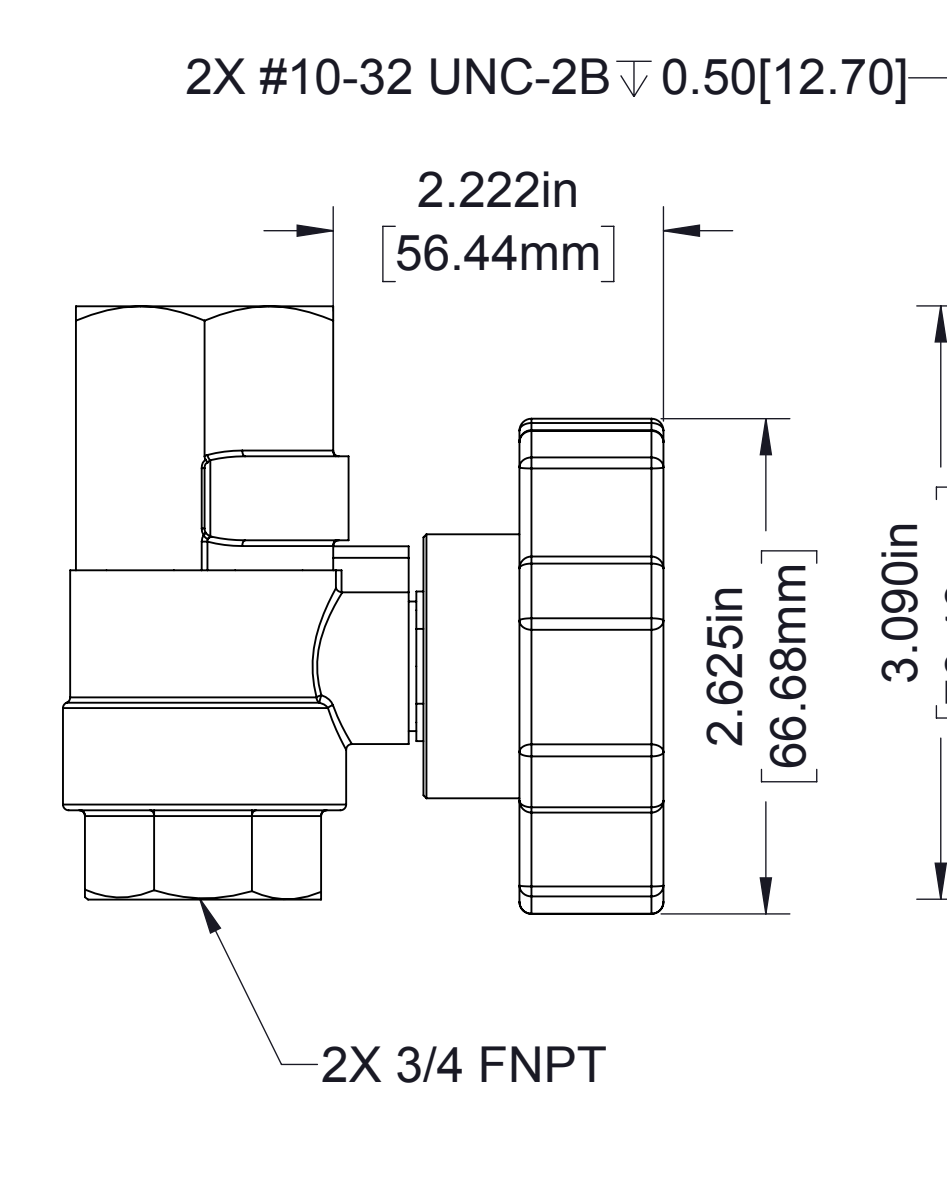
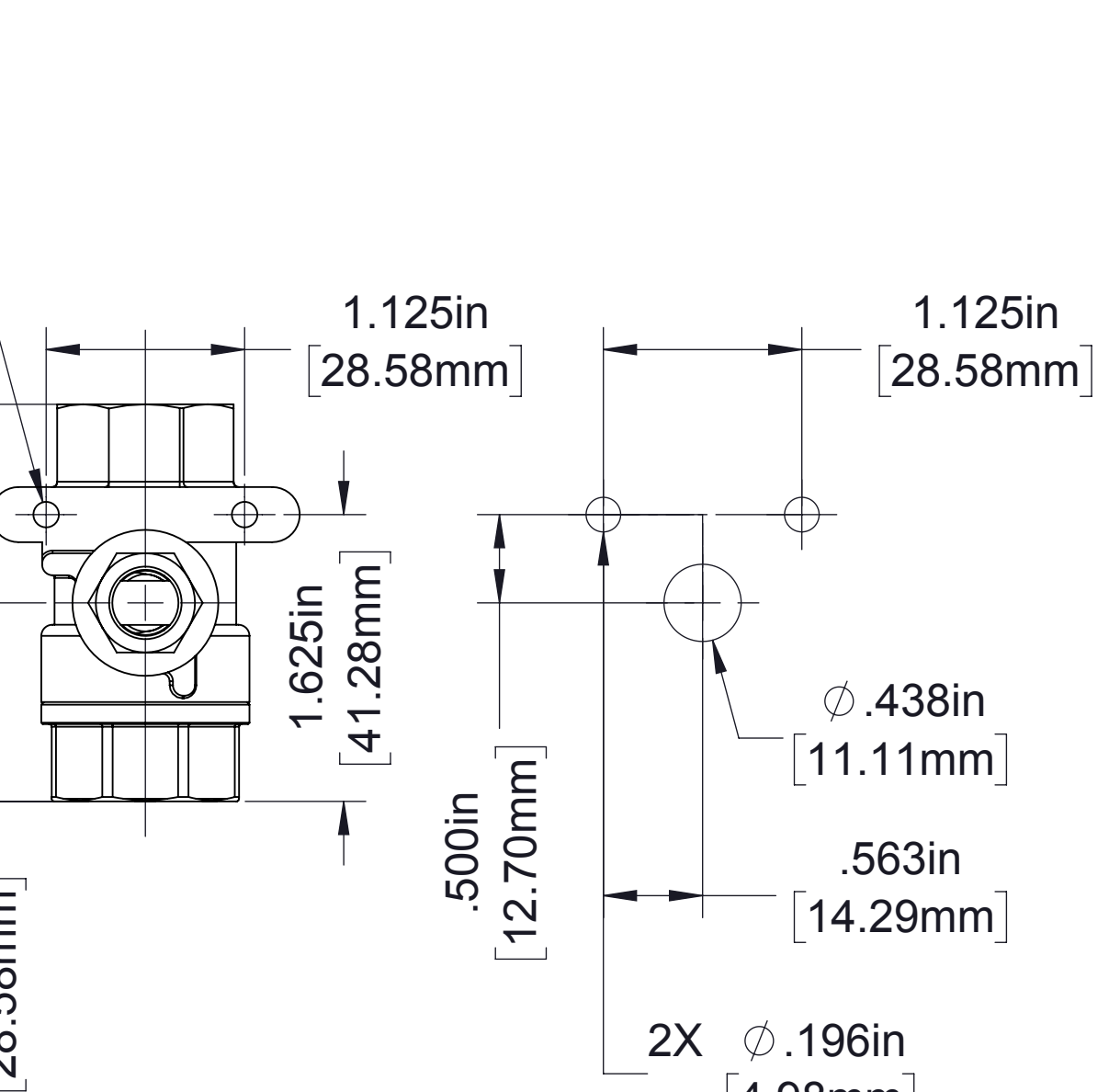
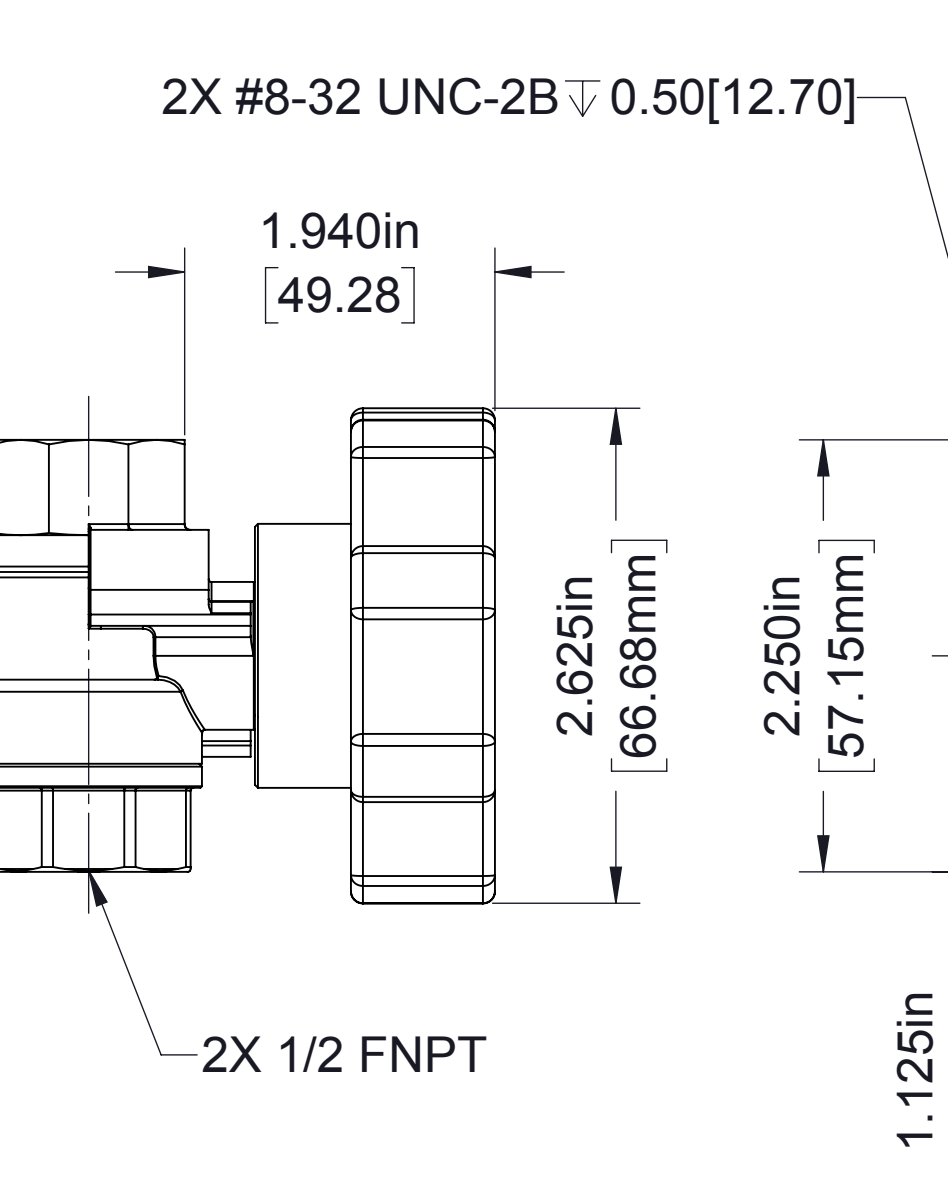
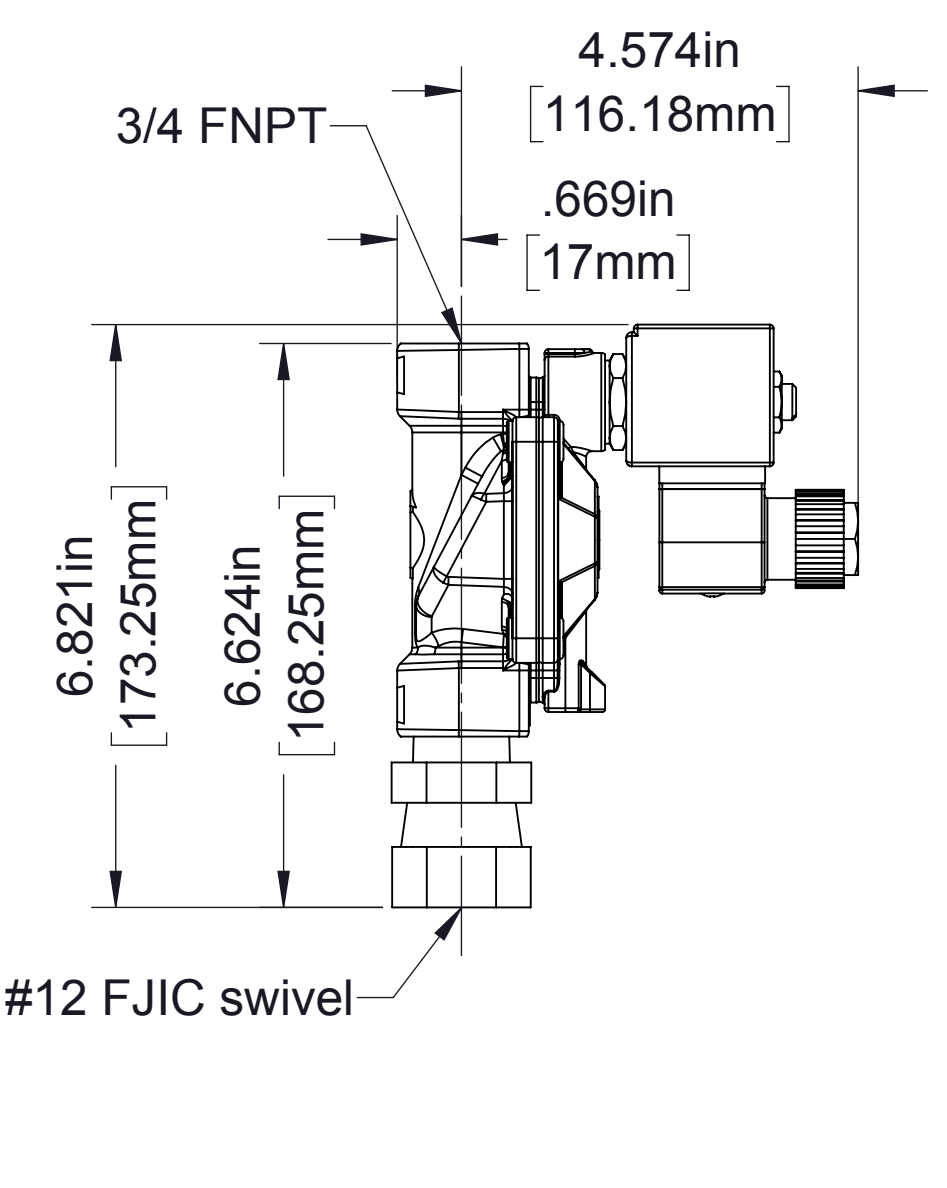
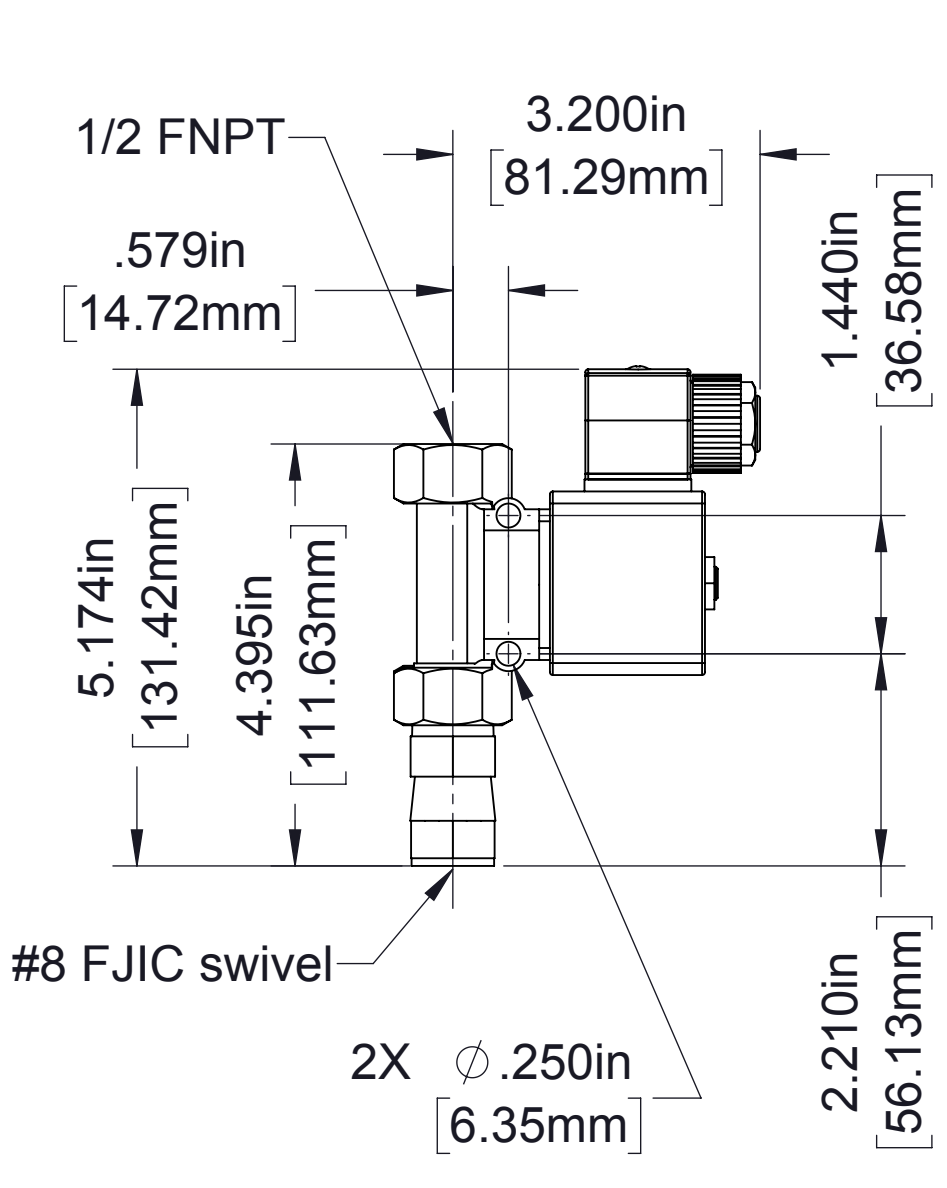


3 Port Manifold,
order part number 83360-1A

4 Port Manifold,
order part number 83360-1B

5 Port Manifold,
order part number 83360-1C

Optional Air Distribution Manifold



1/2 in

3/4 in

1/2 in

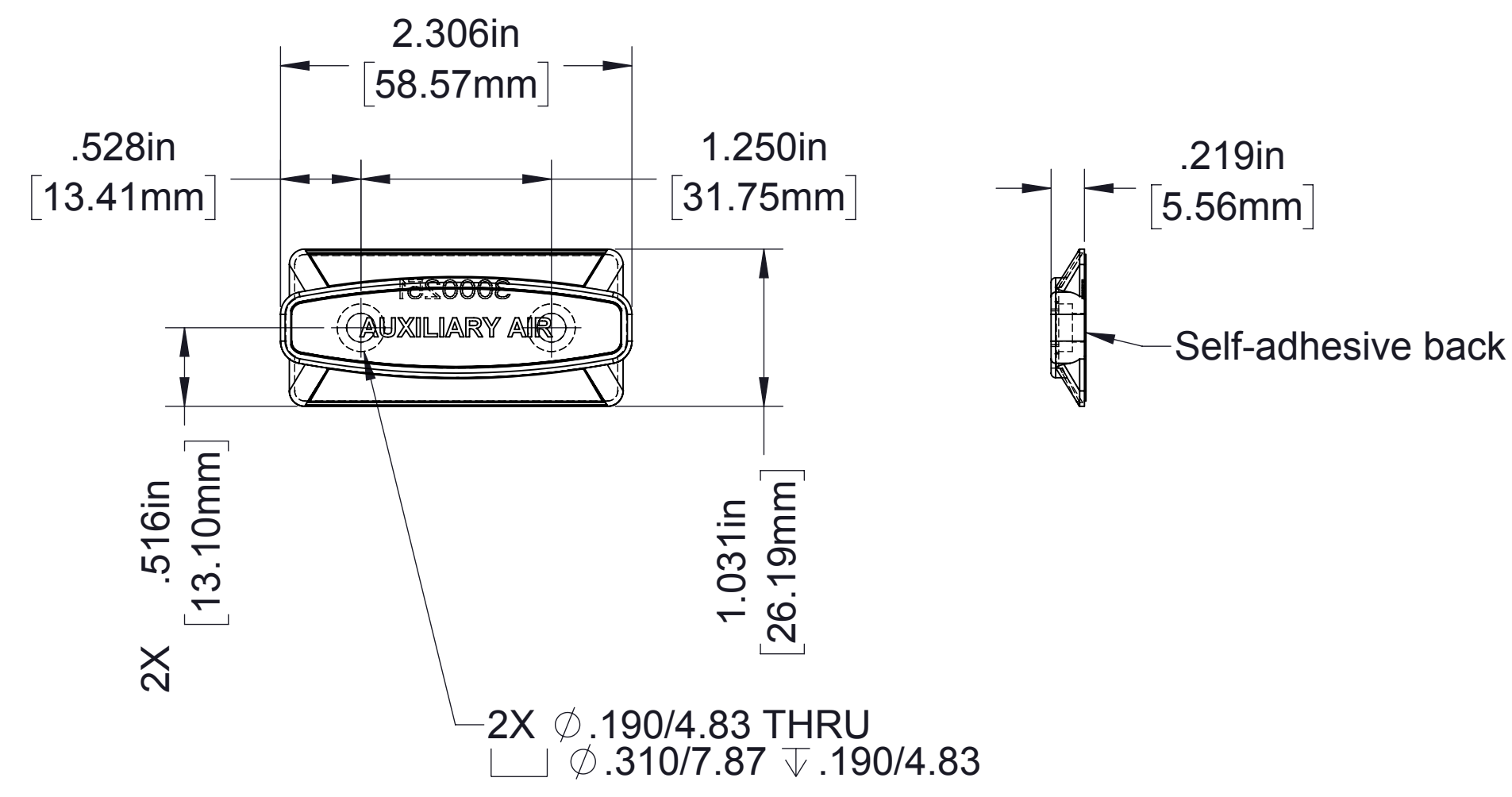
3/4 in

Electric

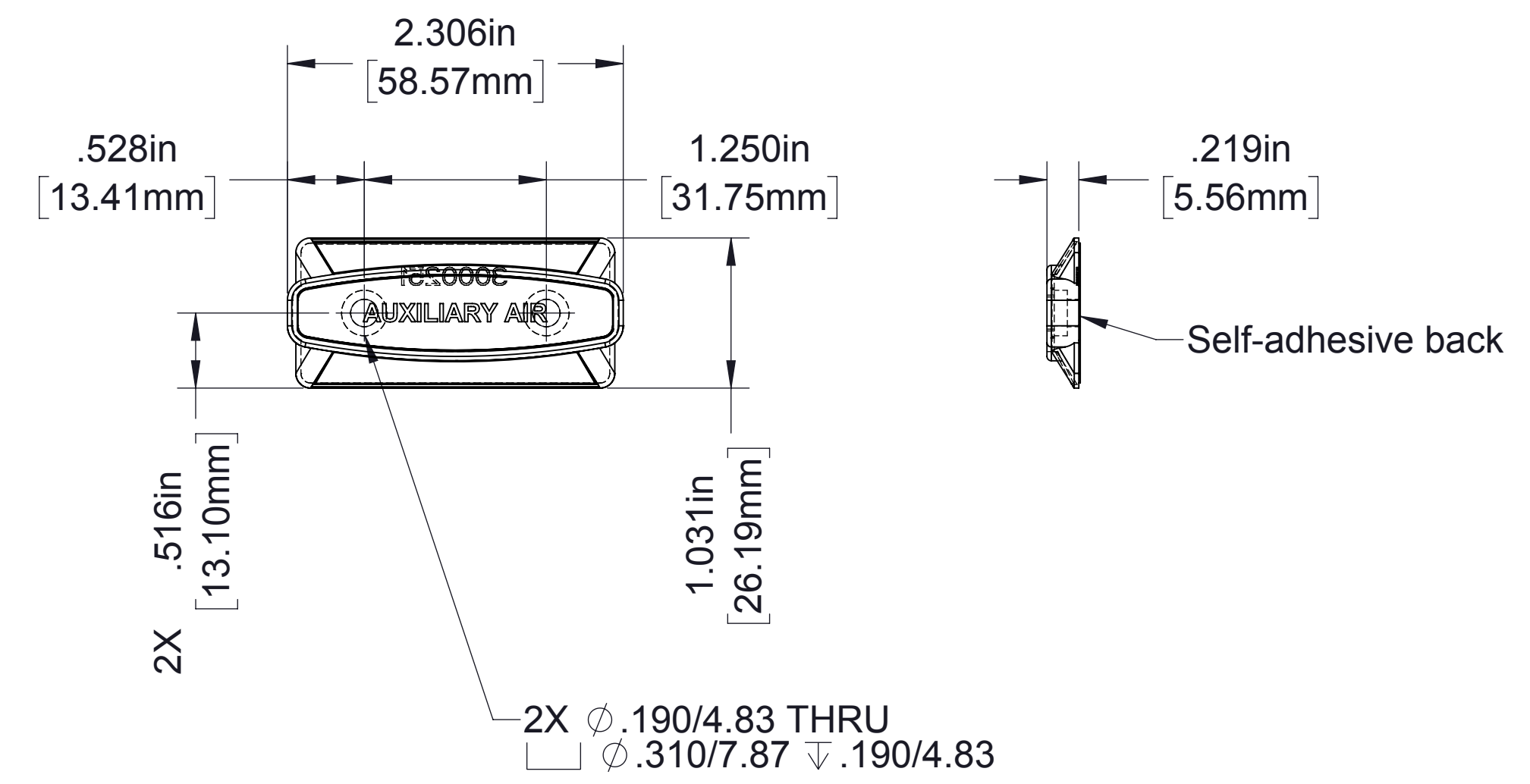
Manual

Optional Air Valves

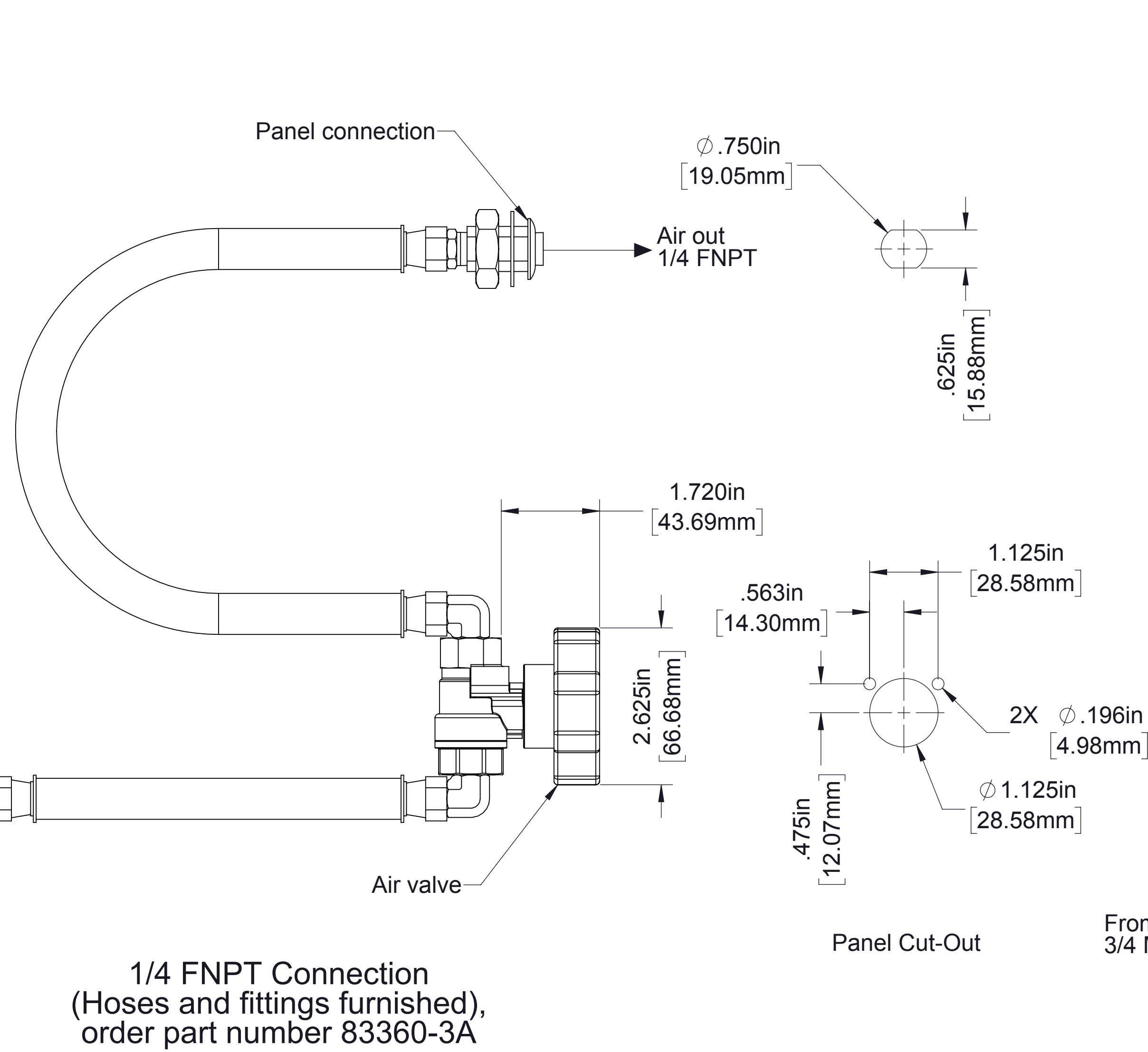
All dimensions shown as inch/millimeter



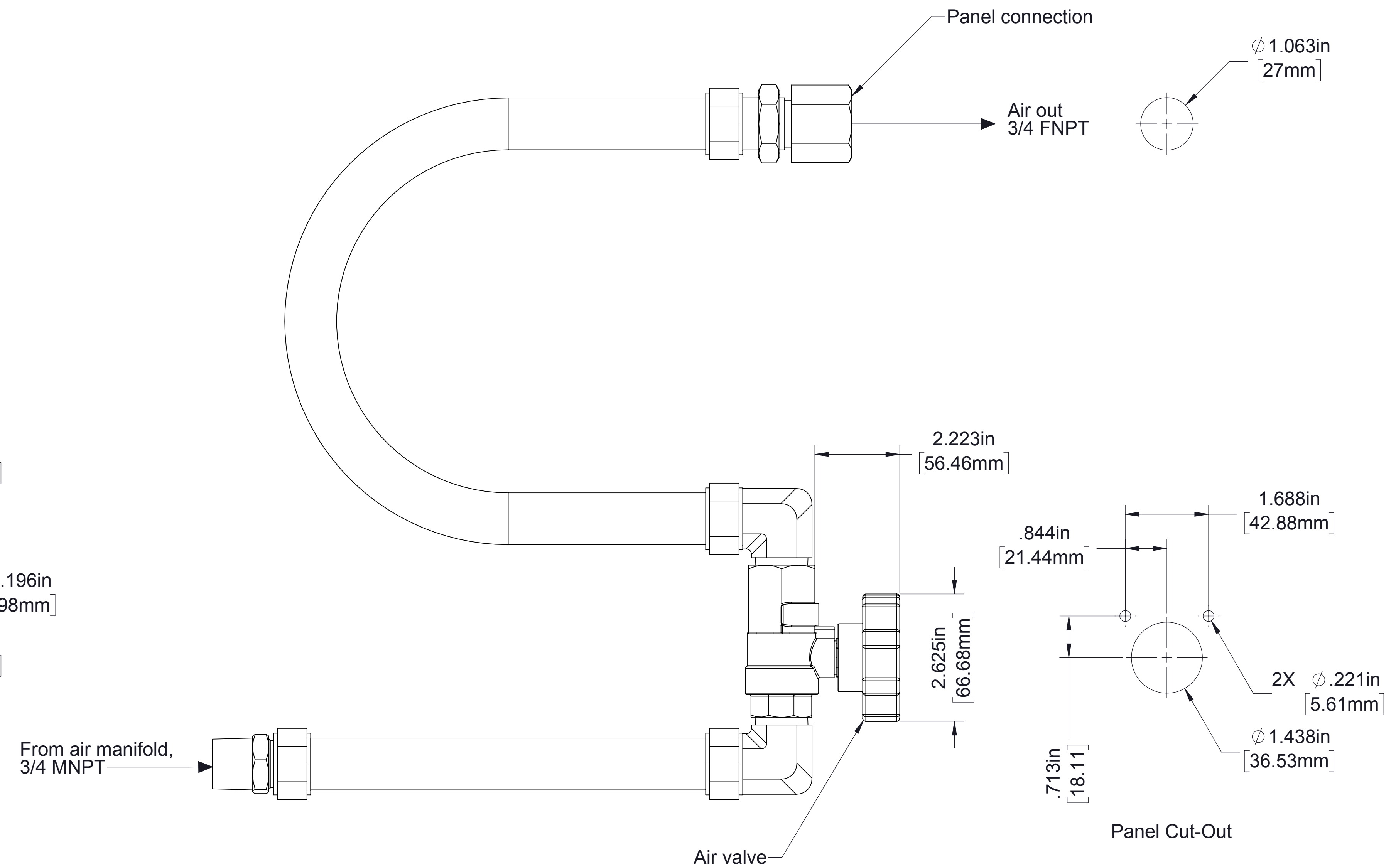
Label



Label

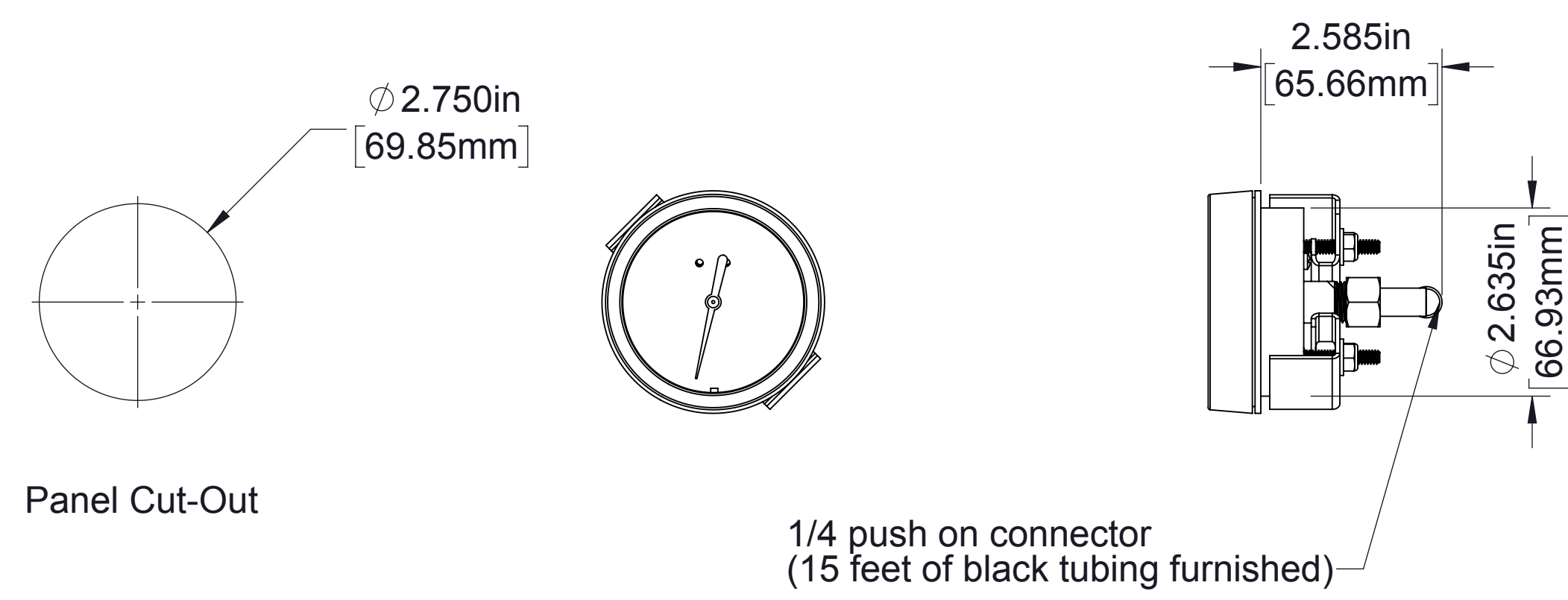


1/4 FNPT Connection
(Hoses and fittings furnished),
order part number 83360-3A

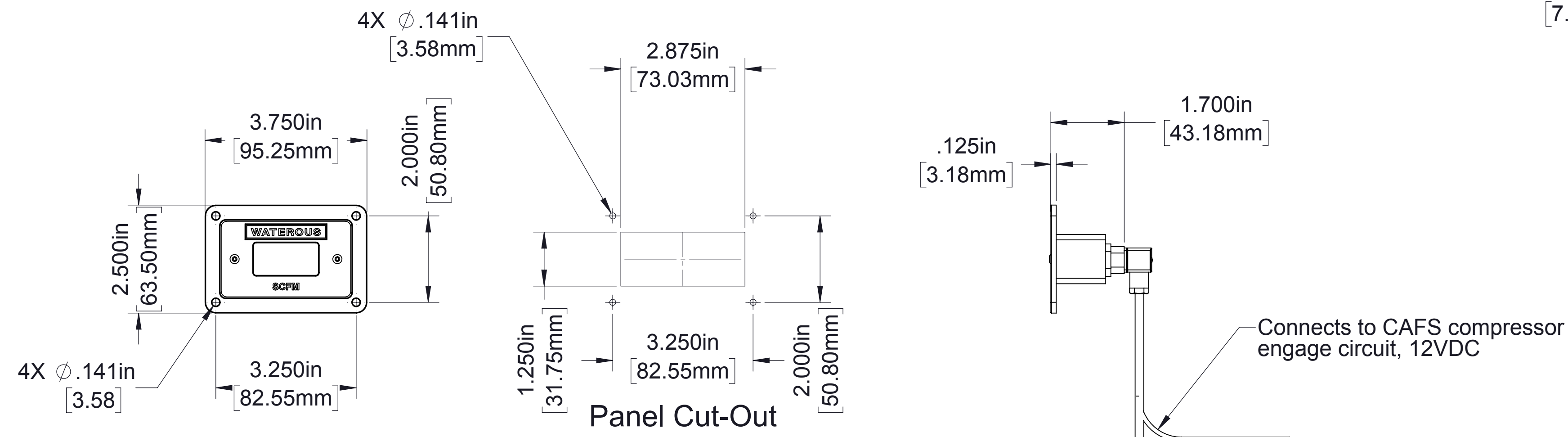
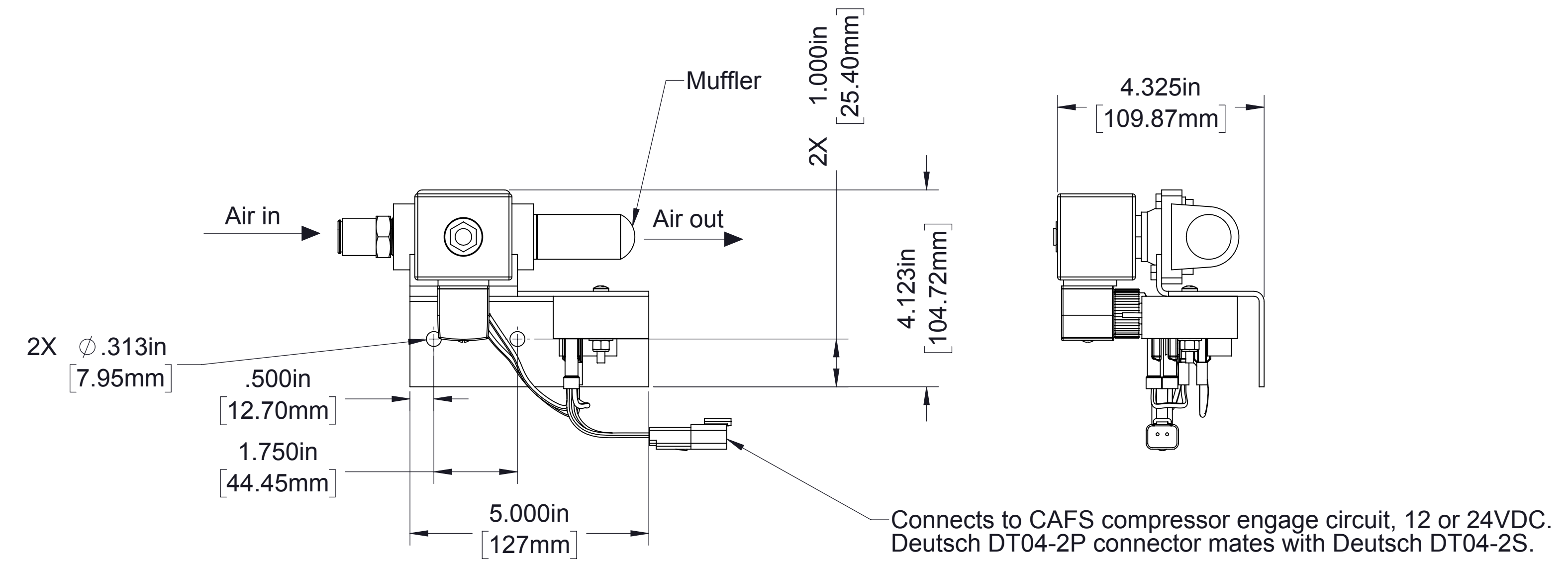


3/4 FNPT Connection
(Hoses and fittings furnished),
order part number 83360-3B

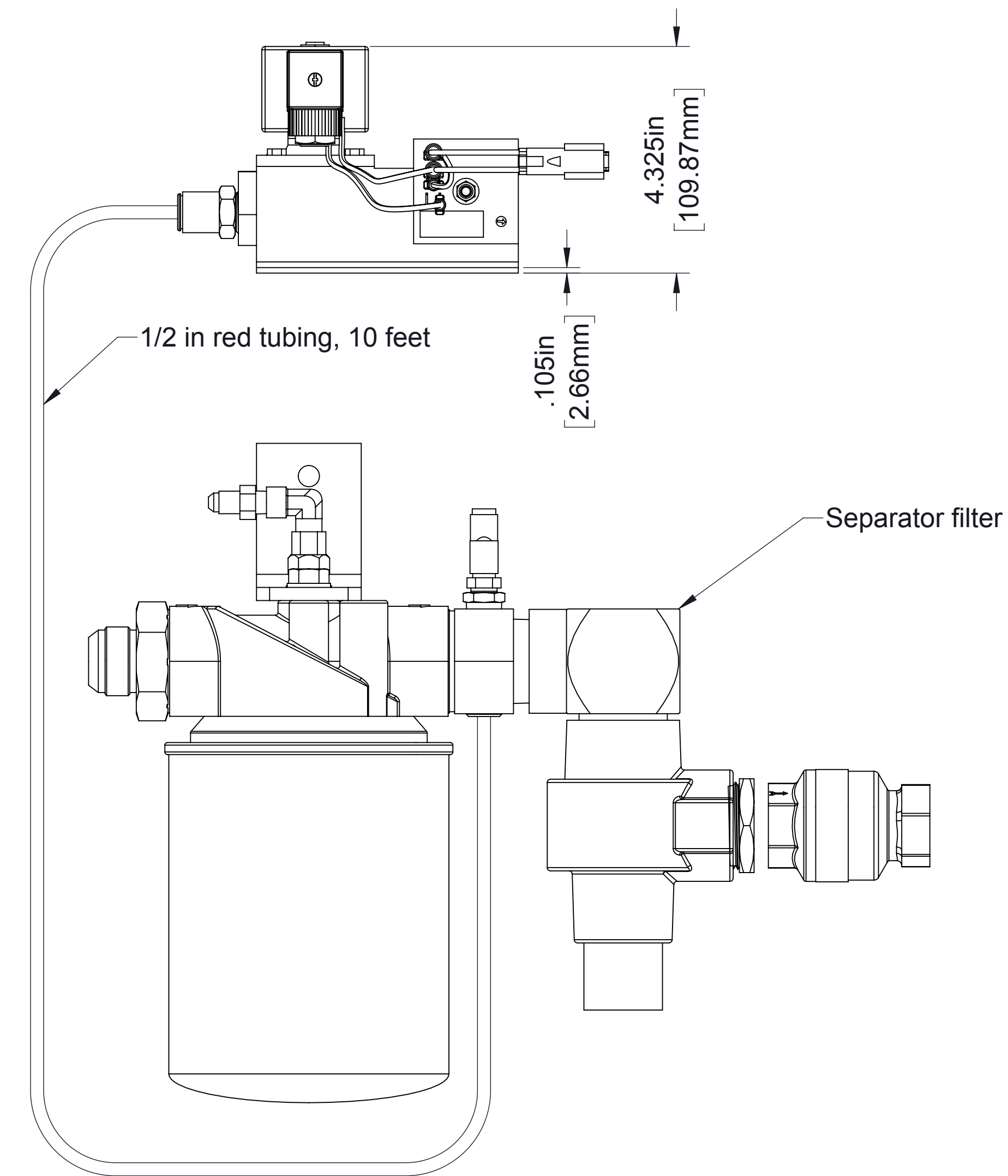
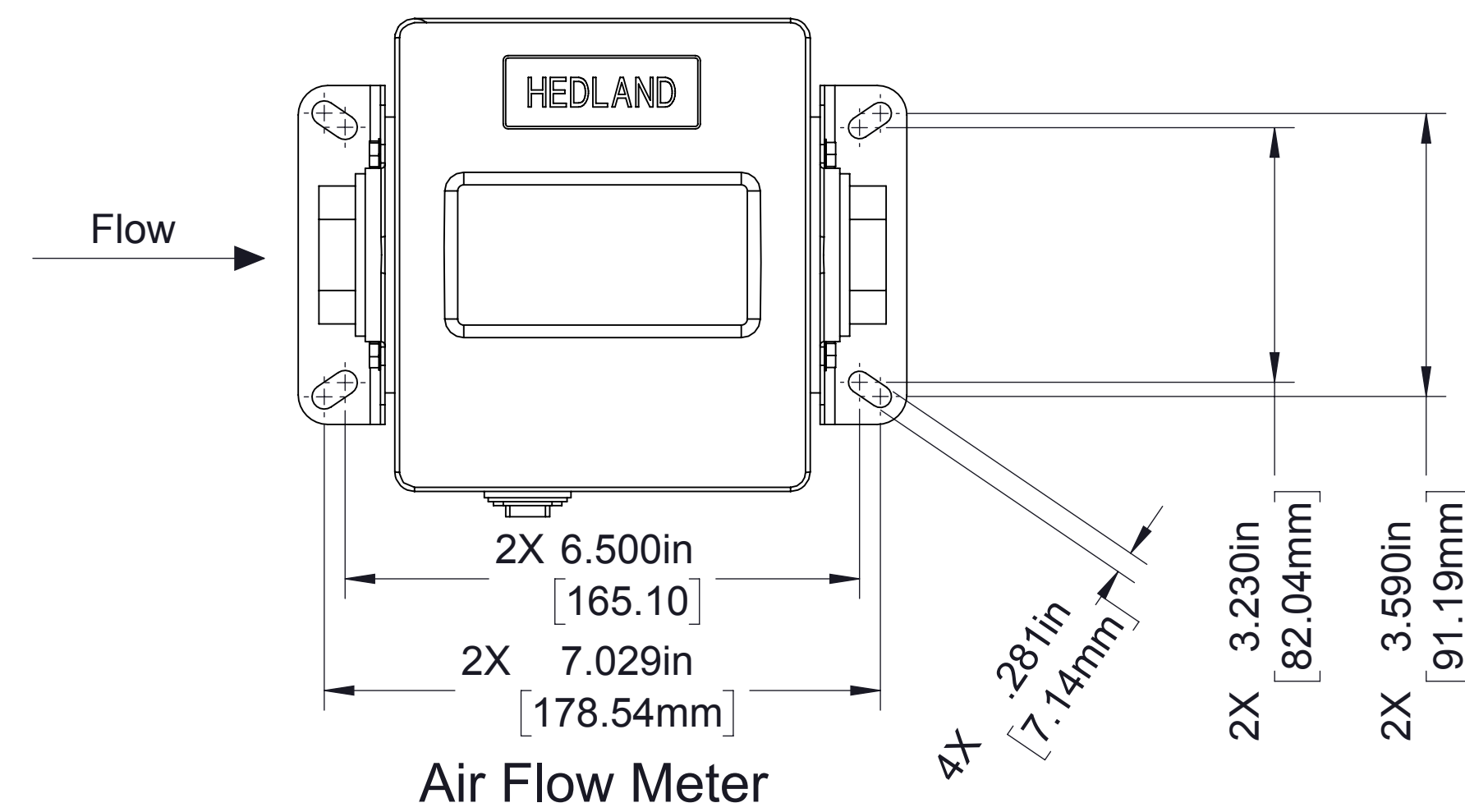
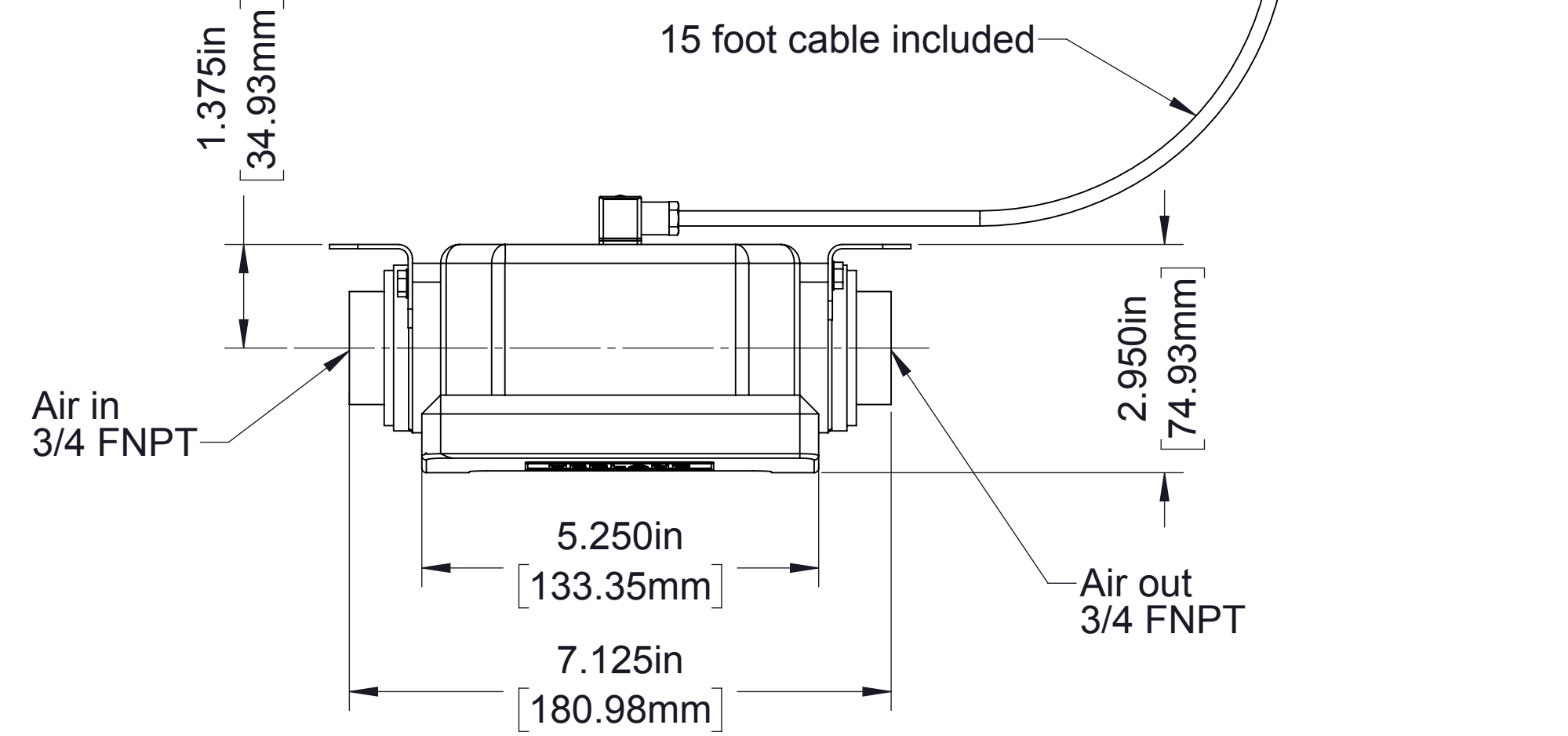
Optional Auxiliary Air Connection



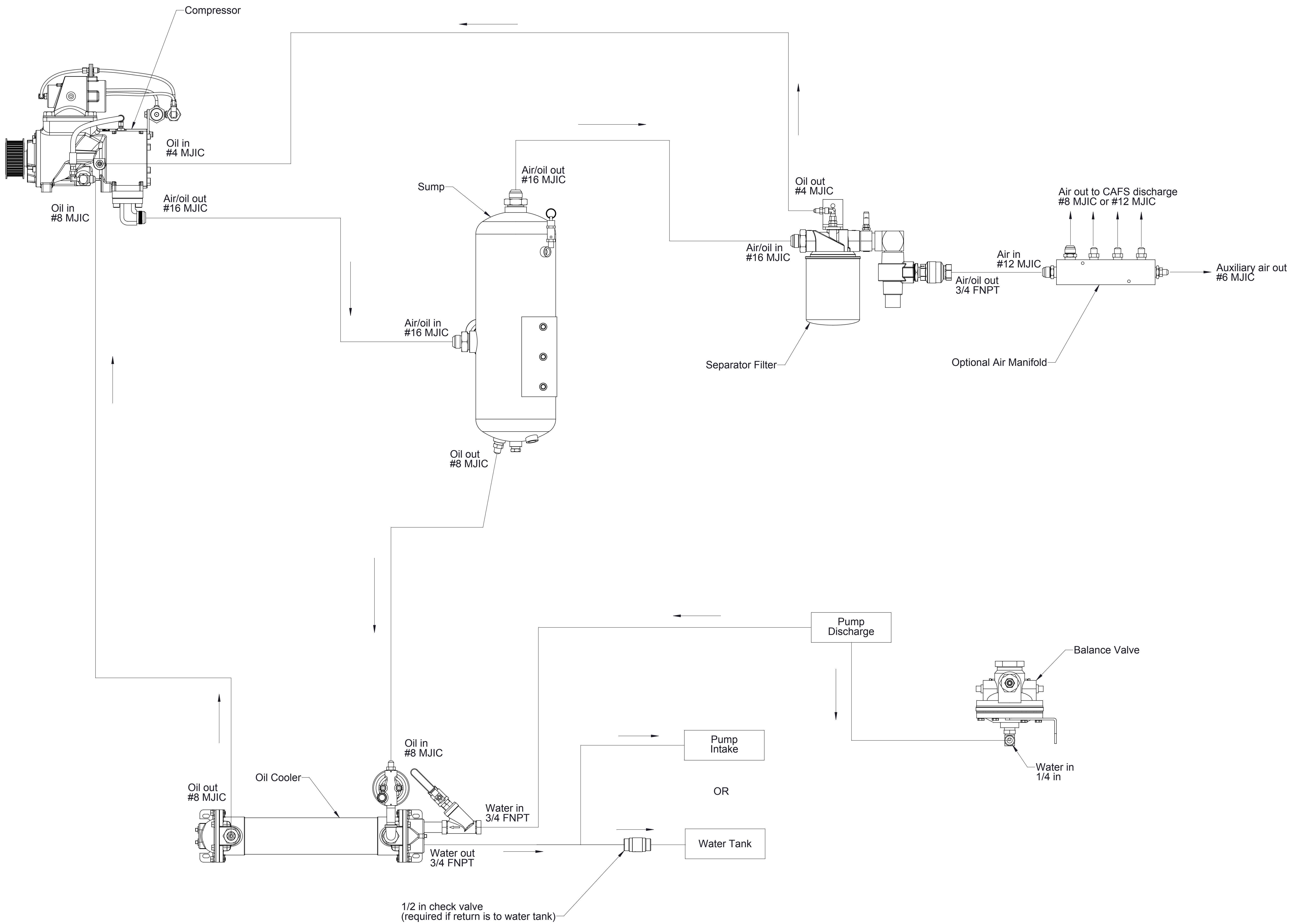
Optional Air Pressure Gauge
 Single Mpa scale order part number 83417-1A
 Dual PSI/Kpa scale order part number 83417-1B



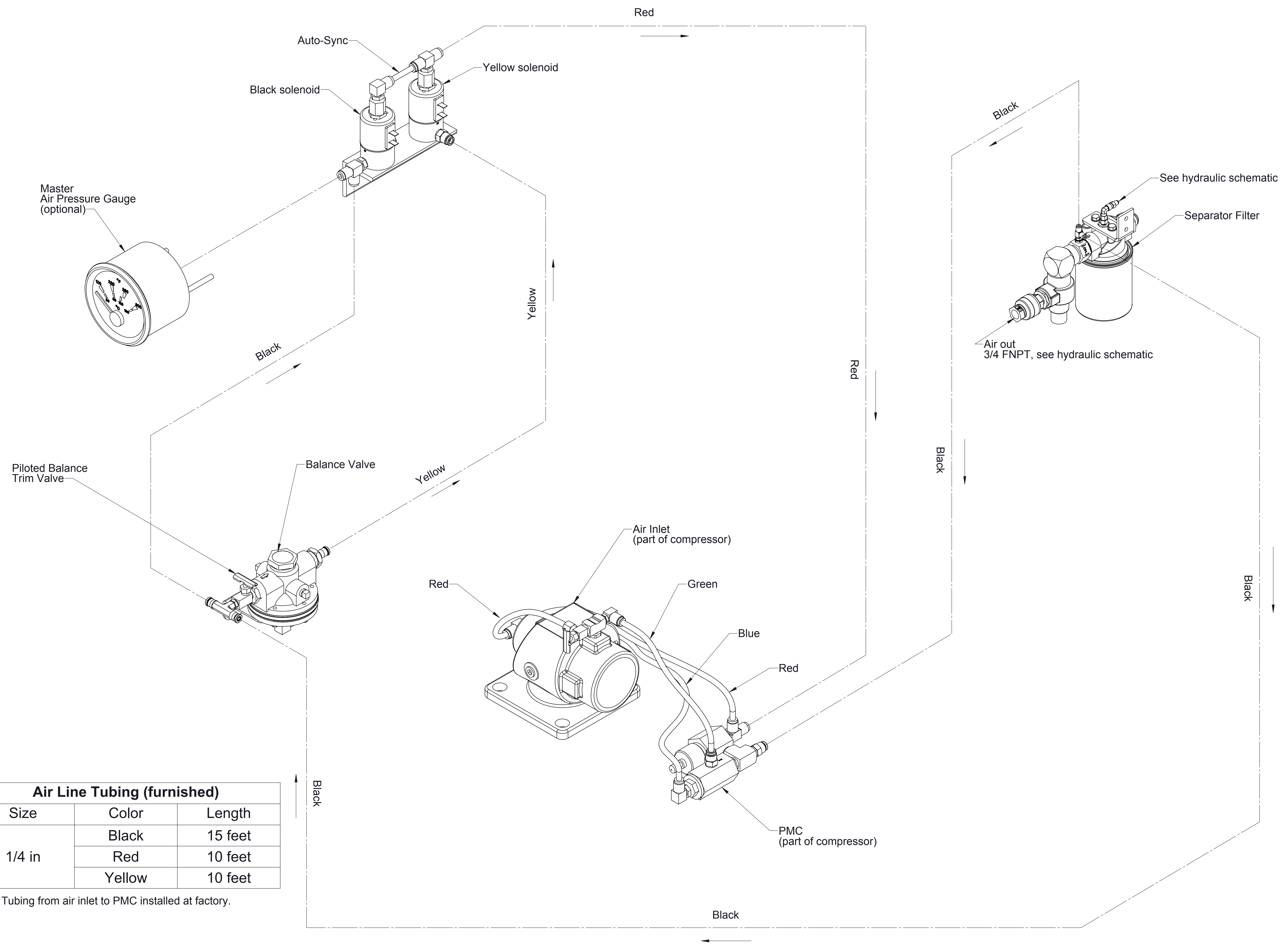
Air Flow Digital Display



Optional Sump Vent
 Vents compressor pressure for 10 seconds at startup to prevent engine stalling,
 order part number 83293-2A (12V) or 83293-2B (24V)



Hydraulic Schematic

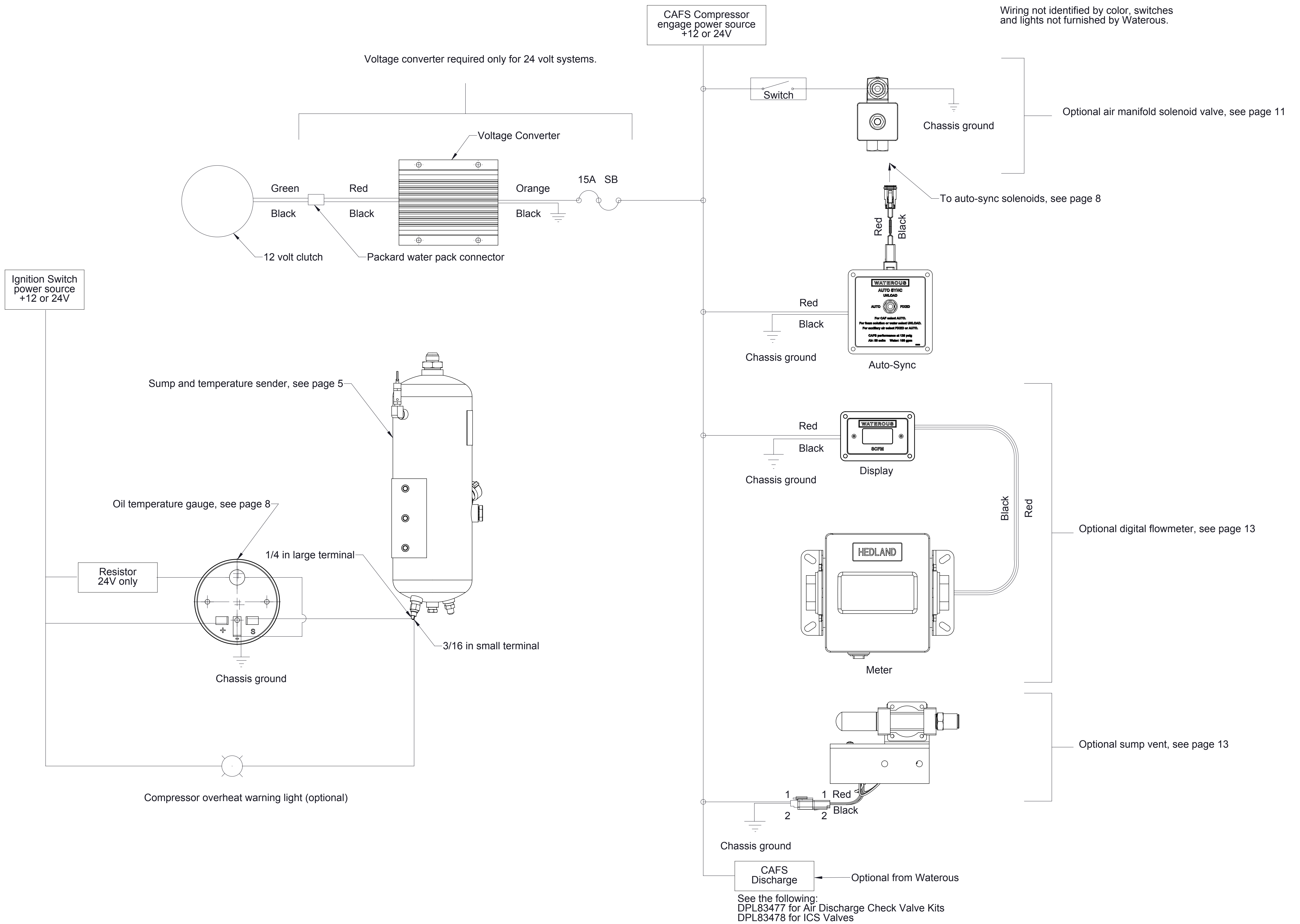


Air Line Tubing (furnished)		
Size	Color	Length
1/4 in	Black	15 feet
	Red	10 feet
	Yellow	10 feet

Note: Tubing from air inlet to PMC installed at factory.

----- Installed by OEM

Air Circuit Schematic



Notes:
 1. Wiring and light not furnished by Waterous.
 2. All wire 16 gauge unless noted otherwise.

Electrical Schematic