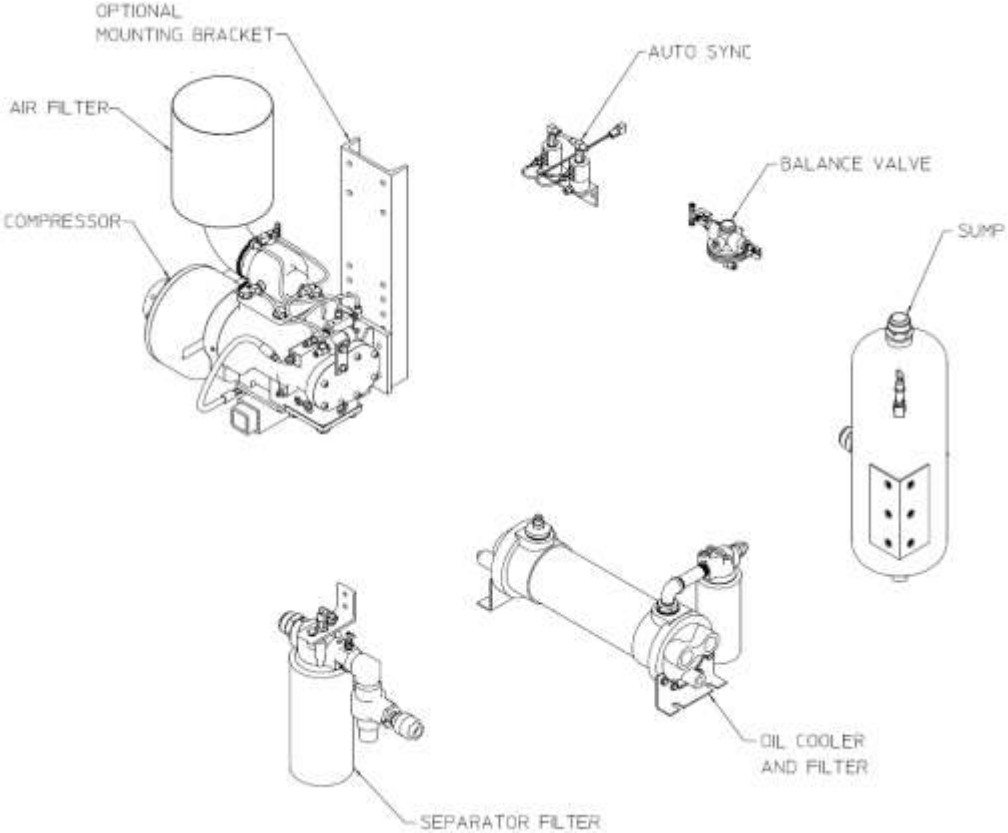


**PTO Compressor Kit Dimensional Drawings
Models 140-P and 200-P**



Standard Components:

	Page
Compressor	2
Sump (Oil Reservoir):	
Model 140-P	3
Model 200-P	4
Oil Cooler and Filter	5
Air Filter	6
Separator Filter	6
Auto-Sync	7
Balance Valve	7
Oil Temperature Gauge	7
Panel Plates	7

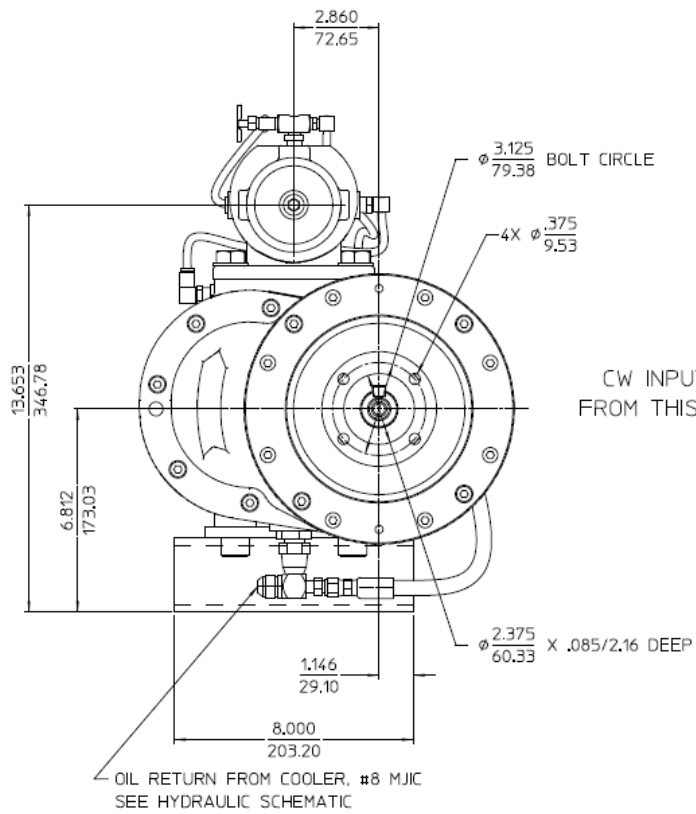
Optional Components:

Air Distribution Manifold and Valves	8
Auxiliary Air Connection	9
Air Pressure Gauge	10
Digital Air Flow Meter	10
Sump Vent	10
Mounting Brackets	11
Air Oil Cooler (Electric Fan)	12
Tee Sump (Oil Reservoir)	13
Oil Inject Check Valve	See DPL83810
Hose and Fitting Kit	See DPL83810
CAF Discharge:	
Air Discharge Check Valve Kits	See DPL83477
ICS Valves	See DPL83478
Static Mixers	See DPL83603
Manifolds	See DPL83682
Foam Pumps:	
Models Aquis 1.5, 3.0 or 6.0:	See F-1031, Section 2447

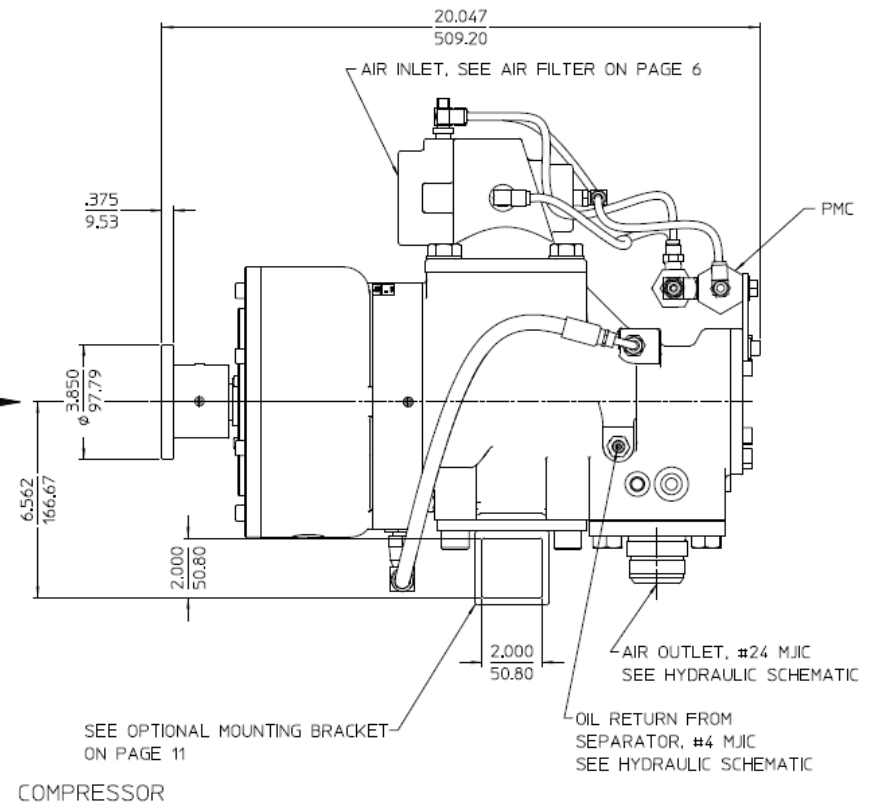
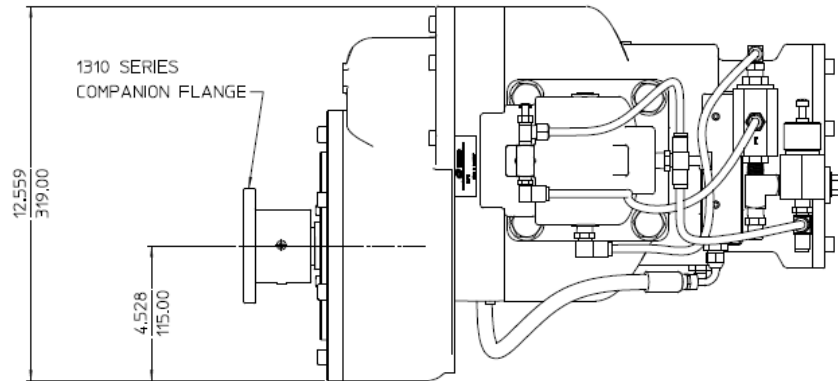
Schematics:

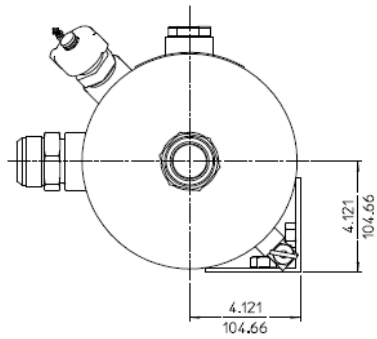
Hydraulic:	
Model 140-P	14
Model 200-P	15
Air Circuit	16
Electrical	17

ALL DIMENSIONS SHOWN AS INCH/MILLIMETER
(INCH / MILLIMETER)

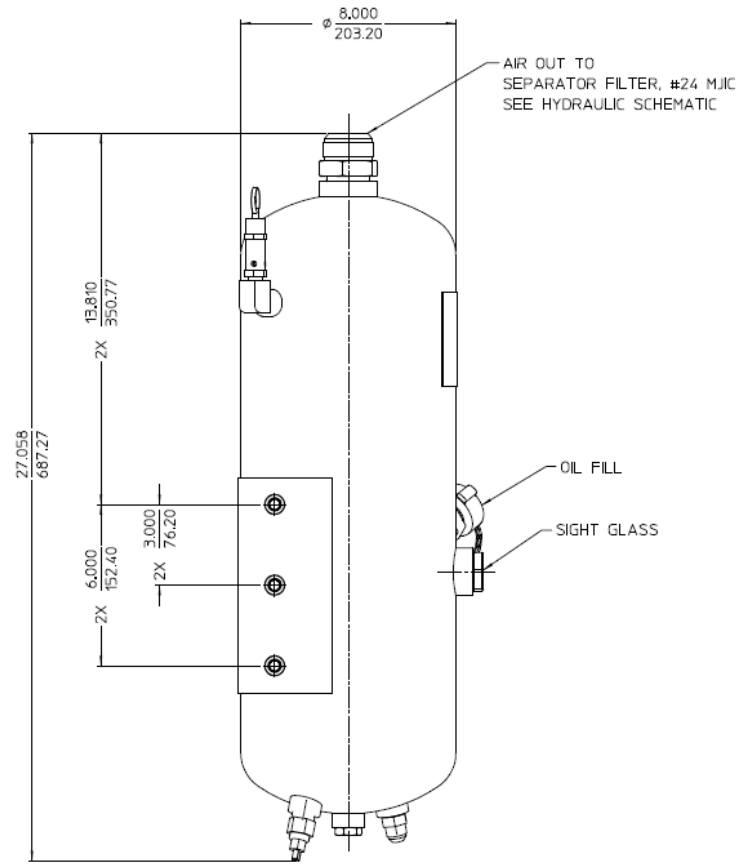
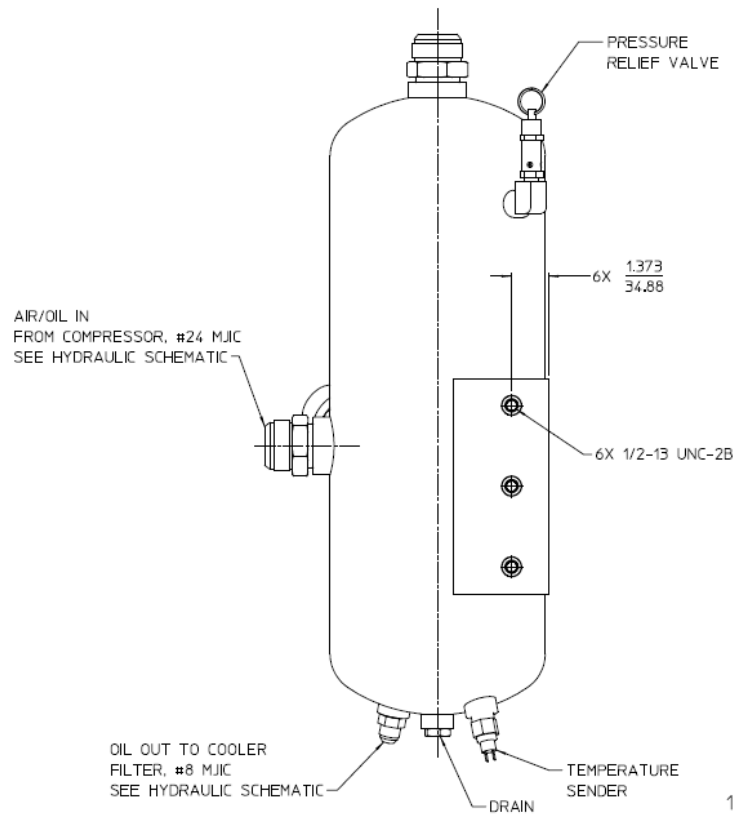


CW INPUT
FROM THIS END

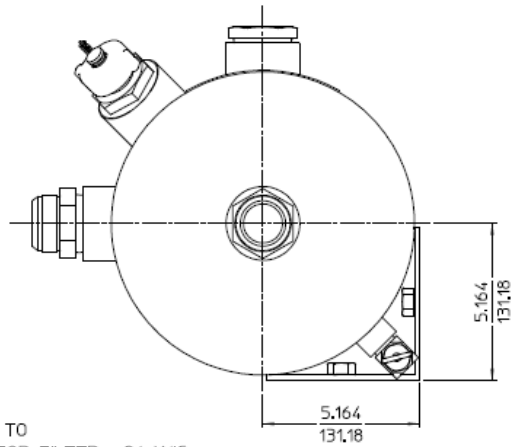




ALL DIMENSIONS SHOWN AS INCH/MILLIMETER
 (INCH / MILLIMETER)



140-P SUMP (OIL RESERVOIR)



ALL DIMENSIONS SHOWN AS INCH/MILLIMETER
 (INCH / MILLIMETER)

AIR OUT TO
 SEPARATOR FILTER. #24 M/JC
 SEE HYDRAULIC SCHEMATIC

AIR/OIL IN
 FROM COMPRESSOR. #24 M/JC
 SEE HYDRAULIC SCHEMATIC

OIL OUT TO COOLER
 FILTER, #8 M/JC
 SEE HYDRAULIC SCHEMATIC

DRAIN

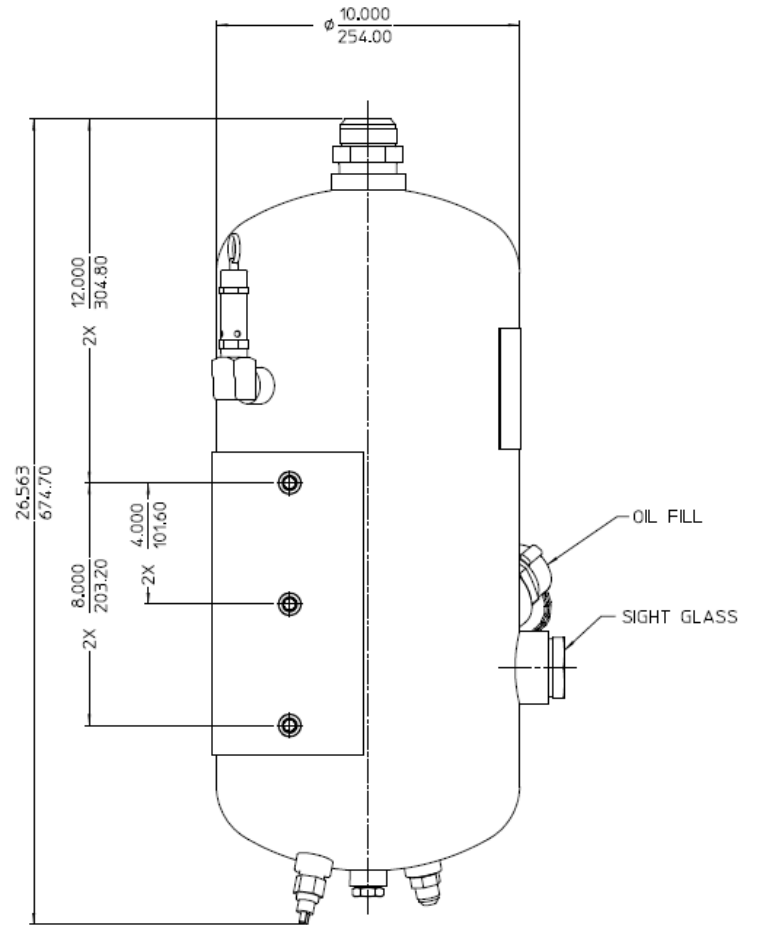
200-P SUMP (OIL RESERVIOR)

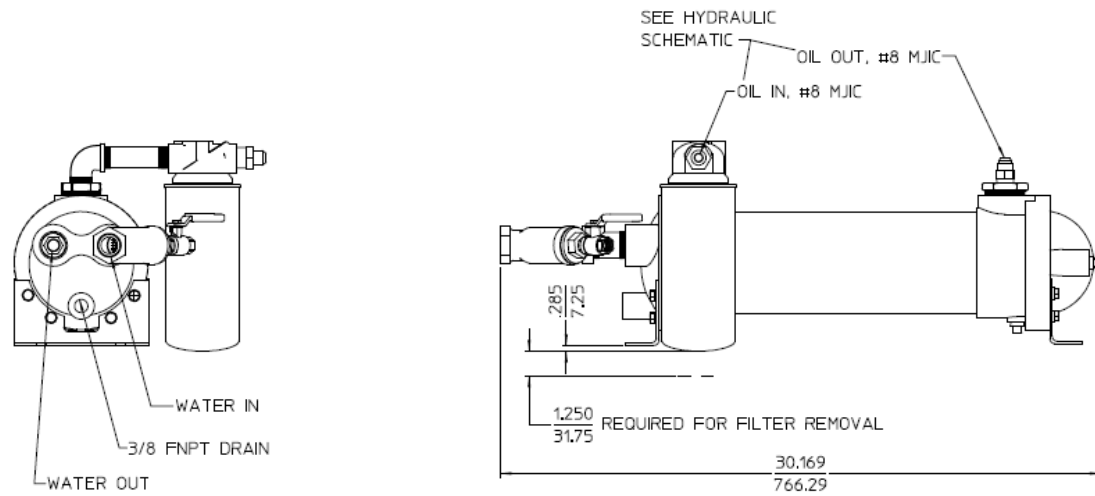
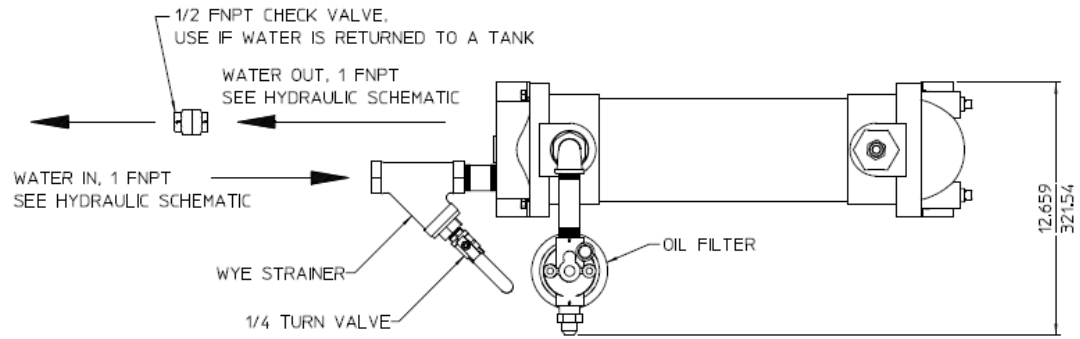
PRESSURE
 RELIEF VALVE

6X 2.574
 65.39

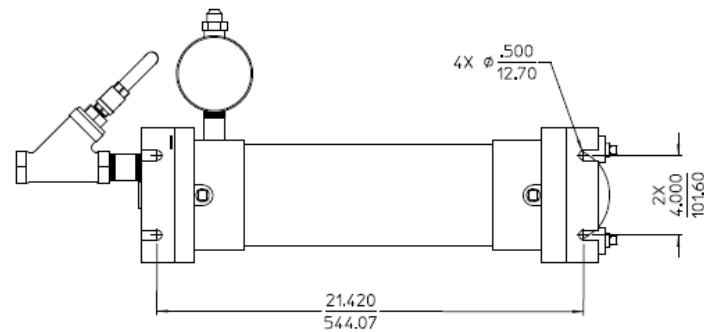
6X 1/2-13 UNC-2B

TEMPERATURE
 SENDER

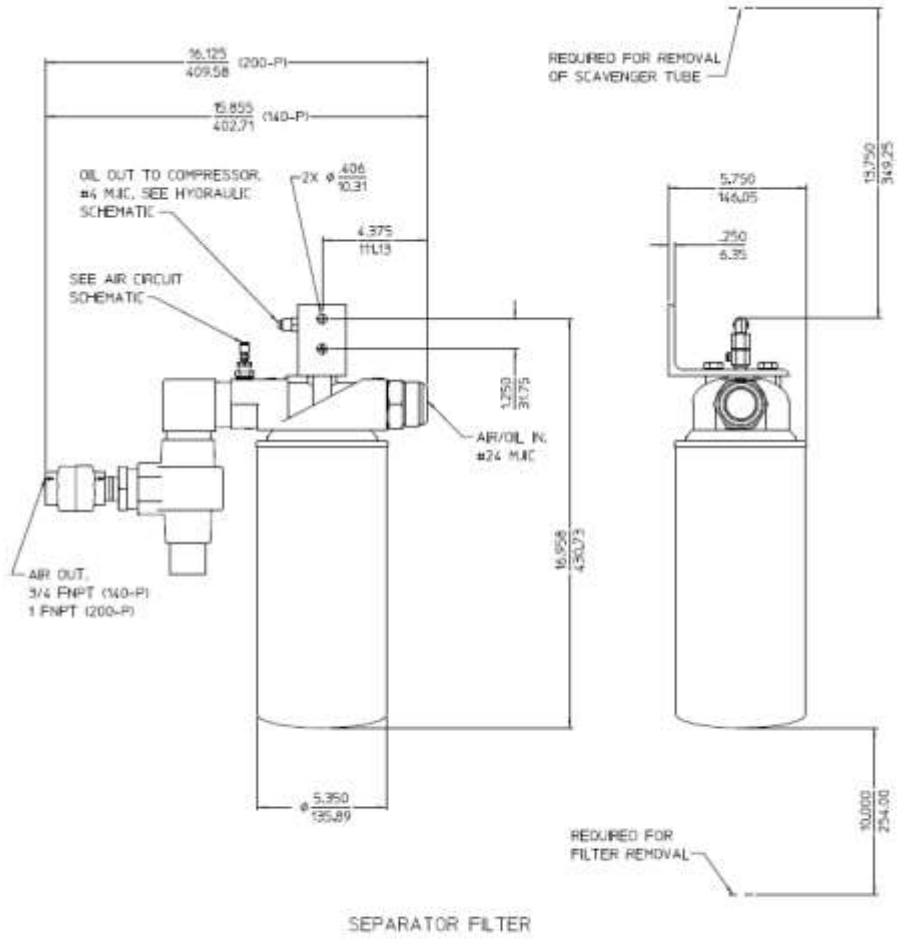
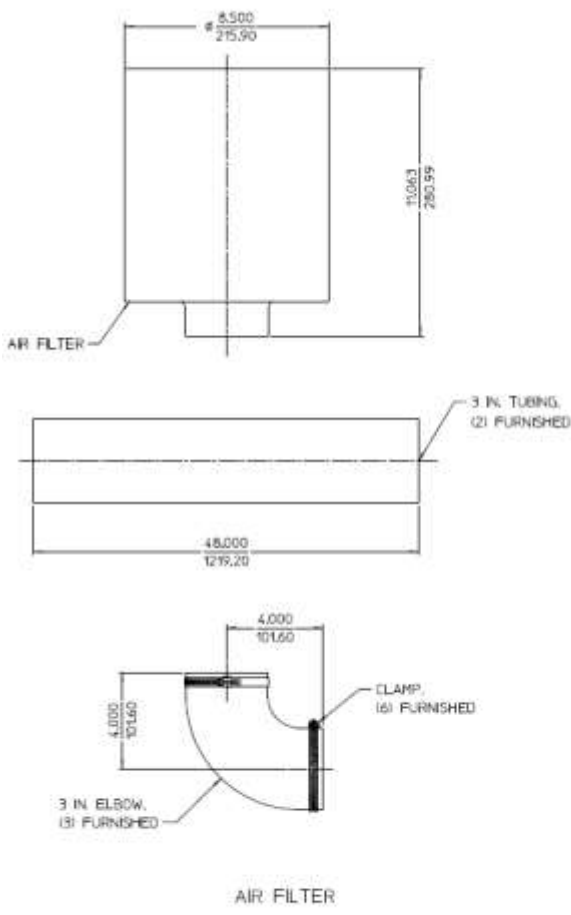




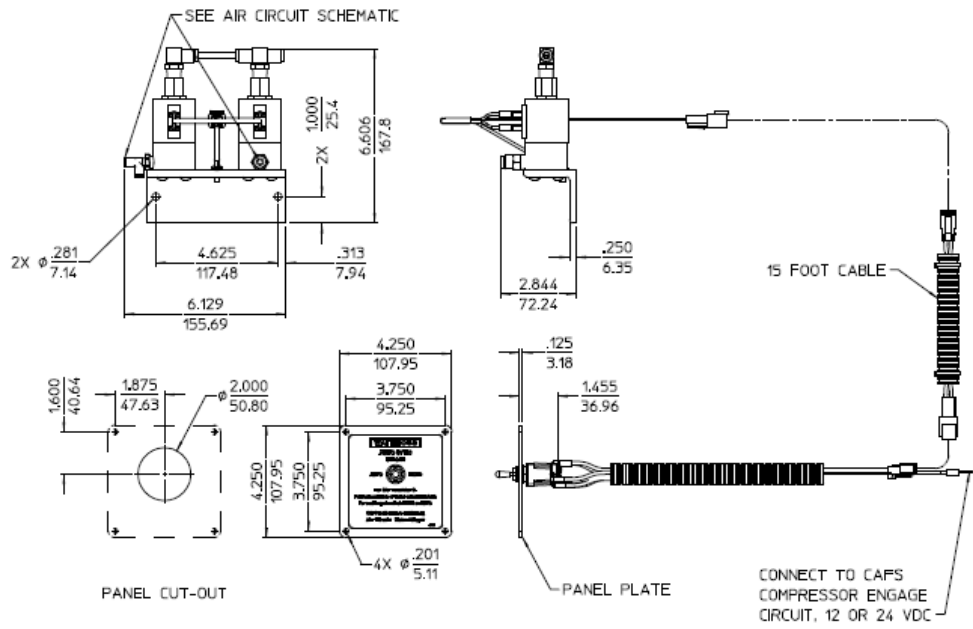
ALL DIMENSIONS SHOWN AS INCH/MILLIMETER
 (INCH)
 (MILLIMETER)



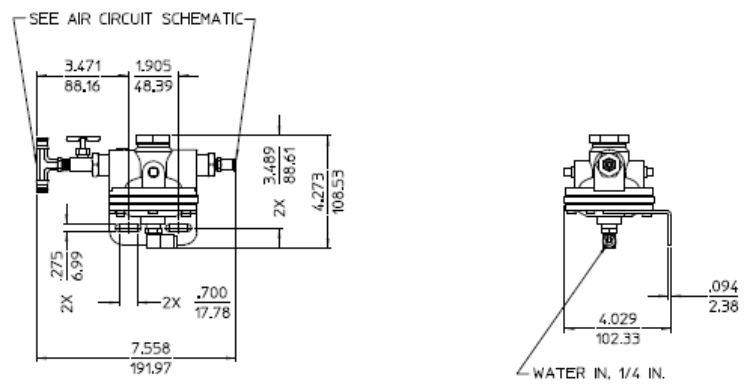
OIL COOLER & FILTER



ALL DIMENSIONS SHOWN AS INCH/MILLIMETER
(INCH / MILLIMETER)



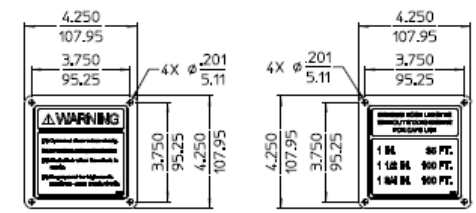
AUTO-SYNC



BALANCE VALVE

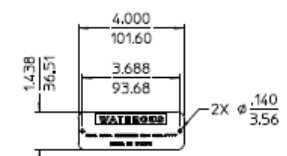


OIL TEMPERATURE GAUGE
(WIRING TO SUMP TEMPERATURE SENDER
NOT FURNISHED BY WATEROUS)



CAFS WARNING

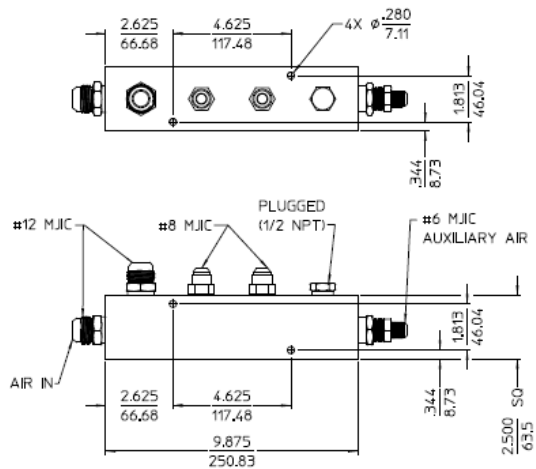
HOSE LENGTH



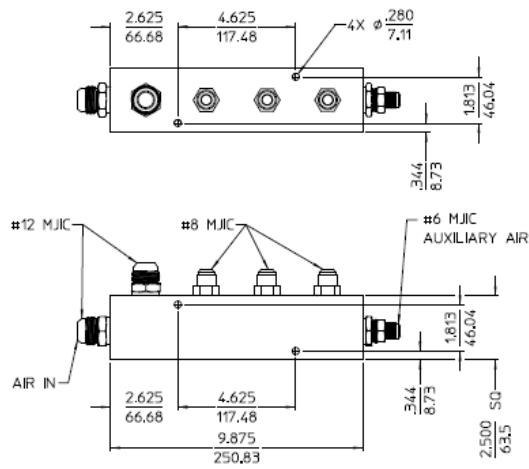
SERIAL PLATE

PANEL PLATES

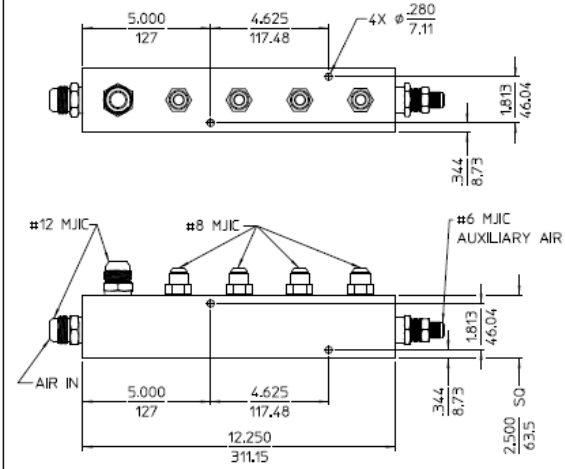
ALL DIMENSIONS SHOWN AS INCH/MILLIMETER
(INCH)
(MILLIMETER)



3 PORT MANIFOLD
ORDER PART NO. 83360-1A

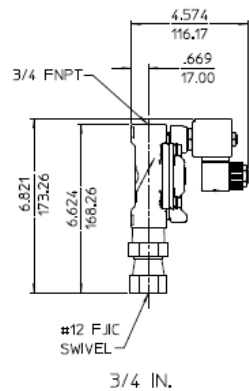
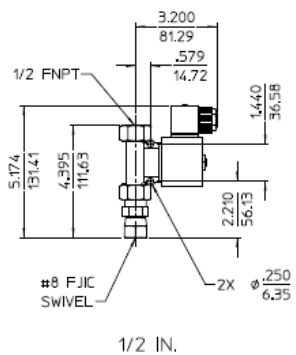


4 PORT MANIFOLD
ORDER PART NO. 83360-1B

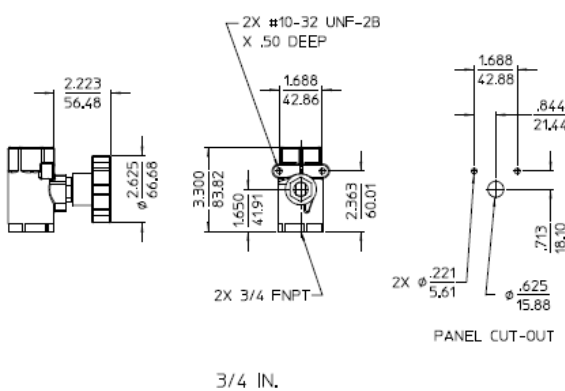
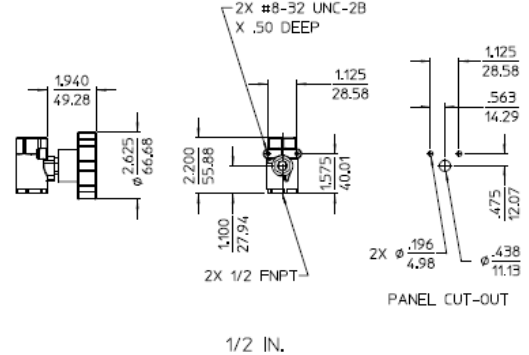


5 PORT MANIFOLD
ORDER PART NO. 83360-1C

OPTIONAL AIR DISTRIBUTION MANIFOLD



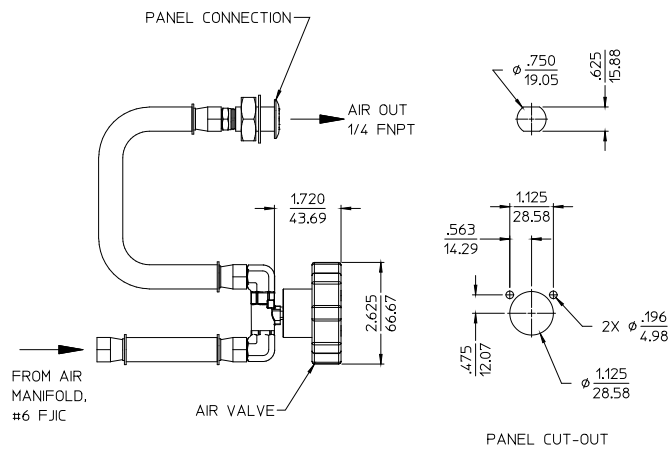
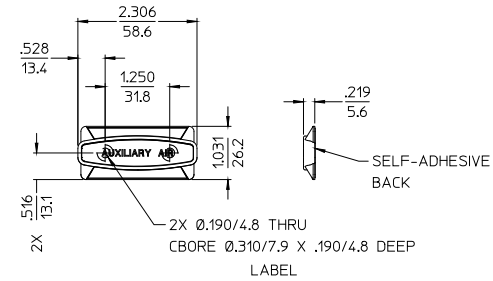
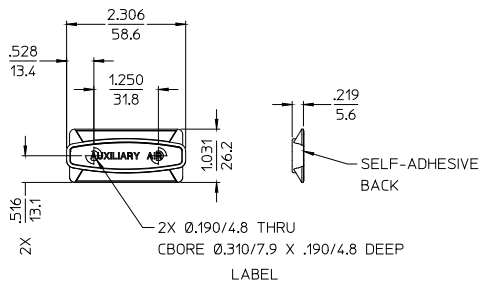
ELECTRIC



MANUAL

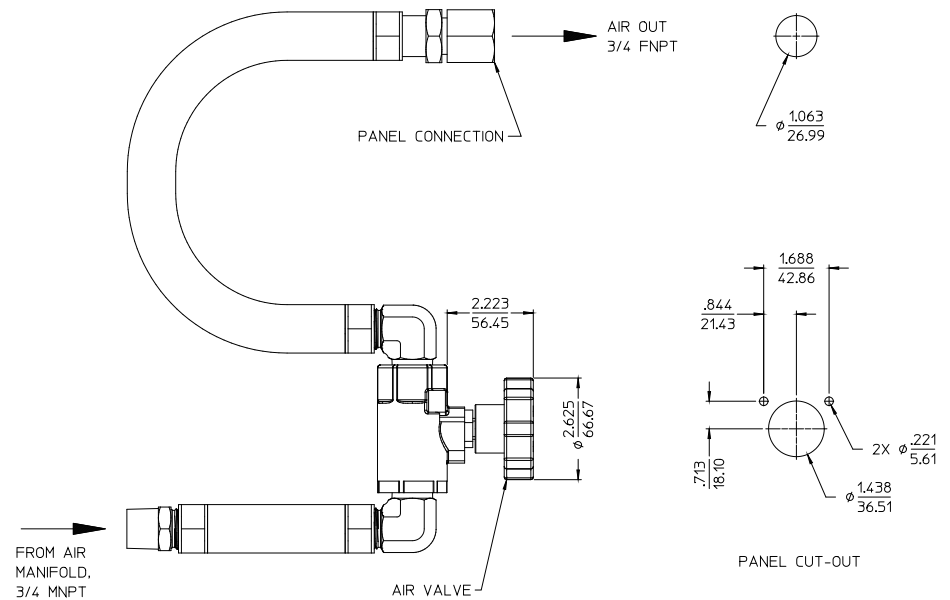
OPTIONAL AIR VALVES

ALL DIMENSIONS SHOWN AS INCH/MILLIMETER
INCH
(MILLIMETER)



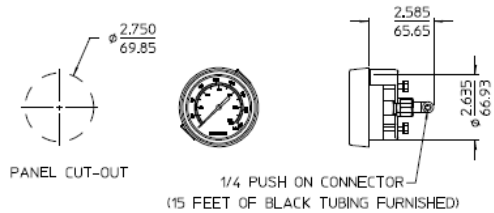
1/4 FNPT CONNECTION
(HOSES AND FITTINGS FURNISHED)
ORDER PART NO. 83360-3A

ALL DIMENSIONS SHOWN AS INCH/MILLIMETER
(INCH
MILLIMETER)

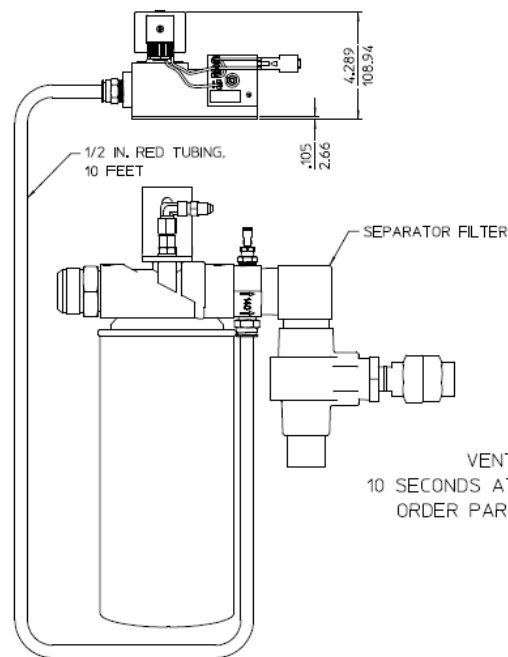
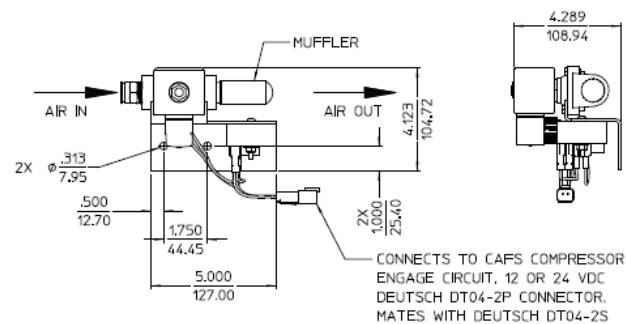
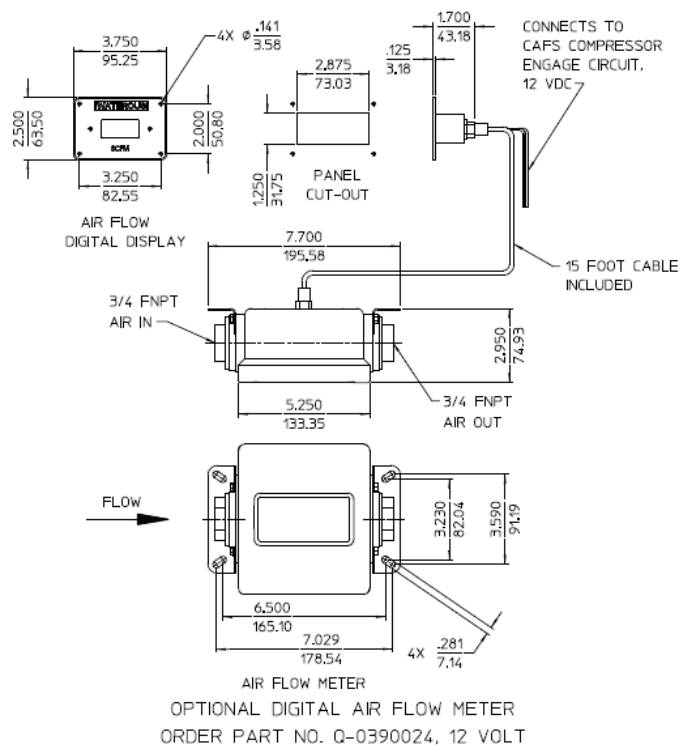


3/4 NPT CONNECTION
(HOSES AND FITTINGS FURNISHED)
ORDER PART NO. 83360-3B

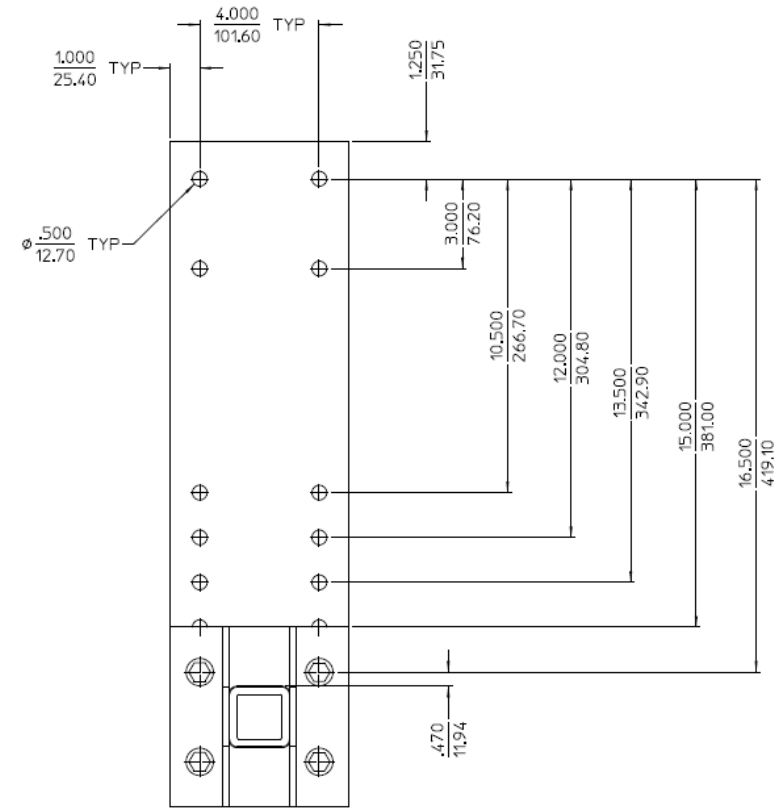
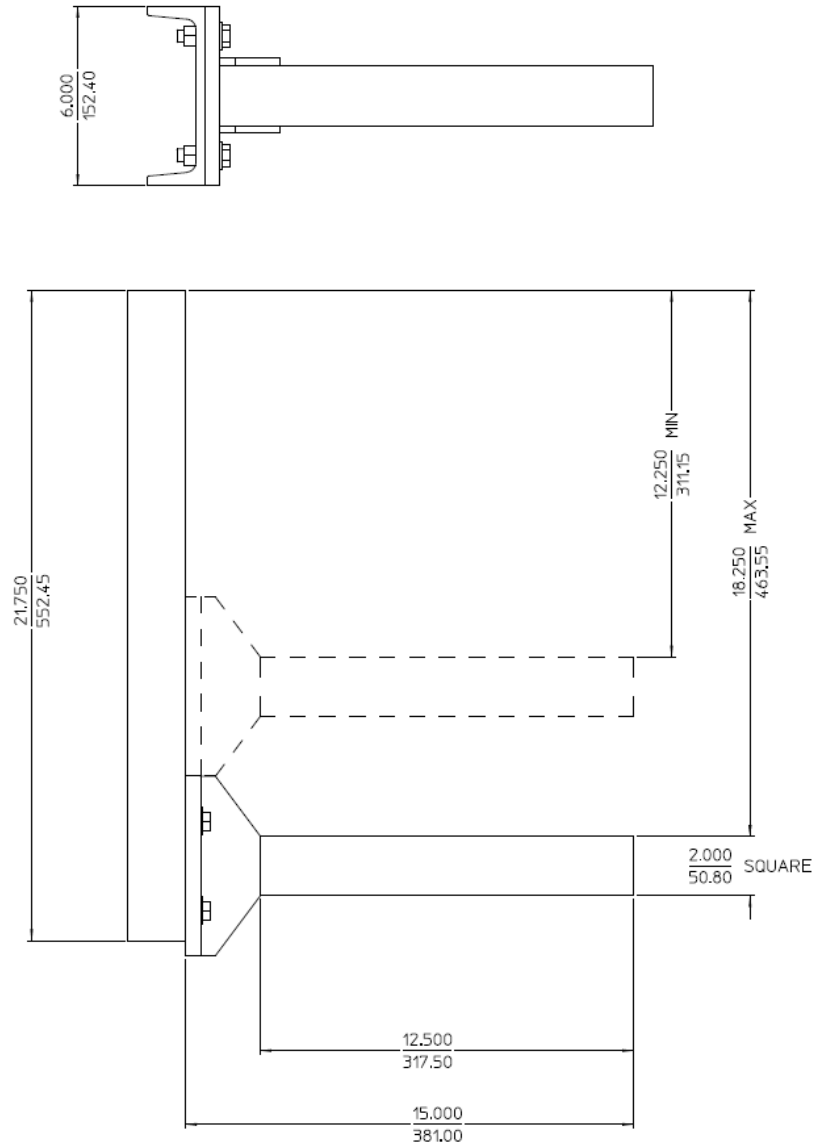
OPTIONAL AUXILIARY CONNECTION



OPTIONAL AIR PRESSURE GAUGE
SINGLE Mpa SCALE ORDER PART NO. 83417-1A
DUAL PSI/Kpa SCALE ORDER PART NO. 83417-1B

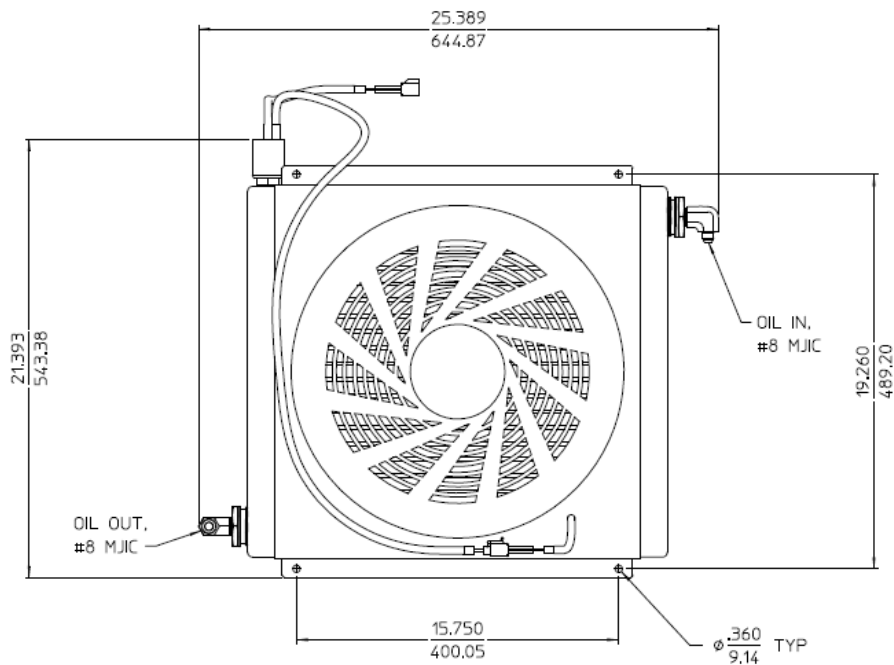
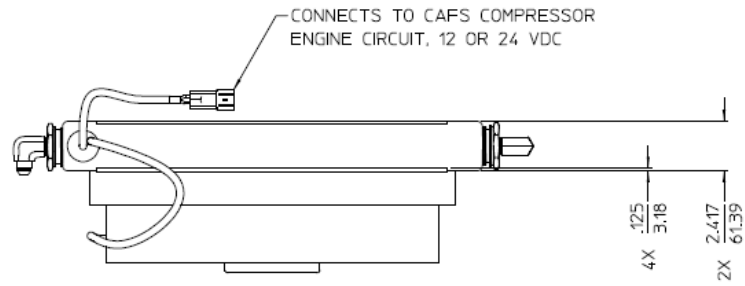


ALL DIMENSIONS SHOWN AS INCH/MILLIMETER
(INCH)
(MILLIMETER)



ALL DIMENSIONS SHOWN AS INCH/MILLIMETER
 (INCH / MILLIMETER)

OPTIONAL MOUNTING BRACKETS

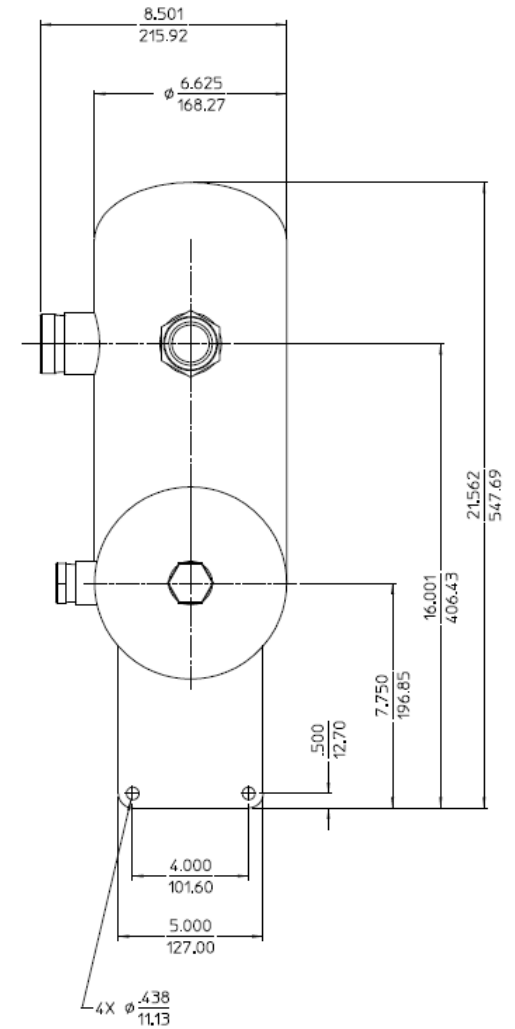
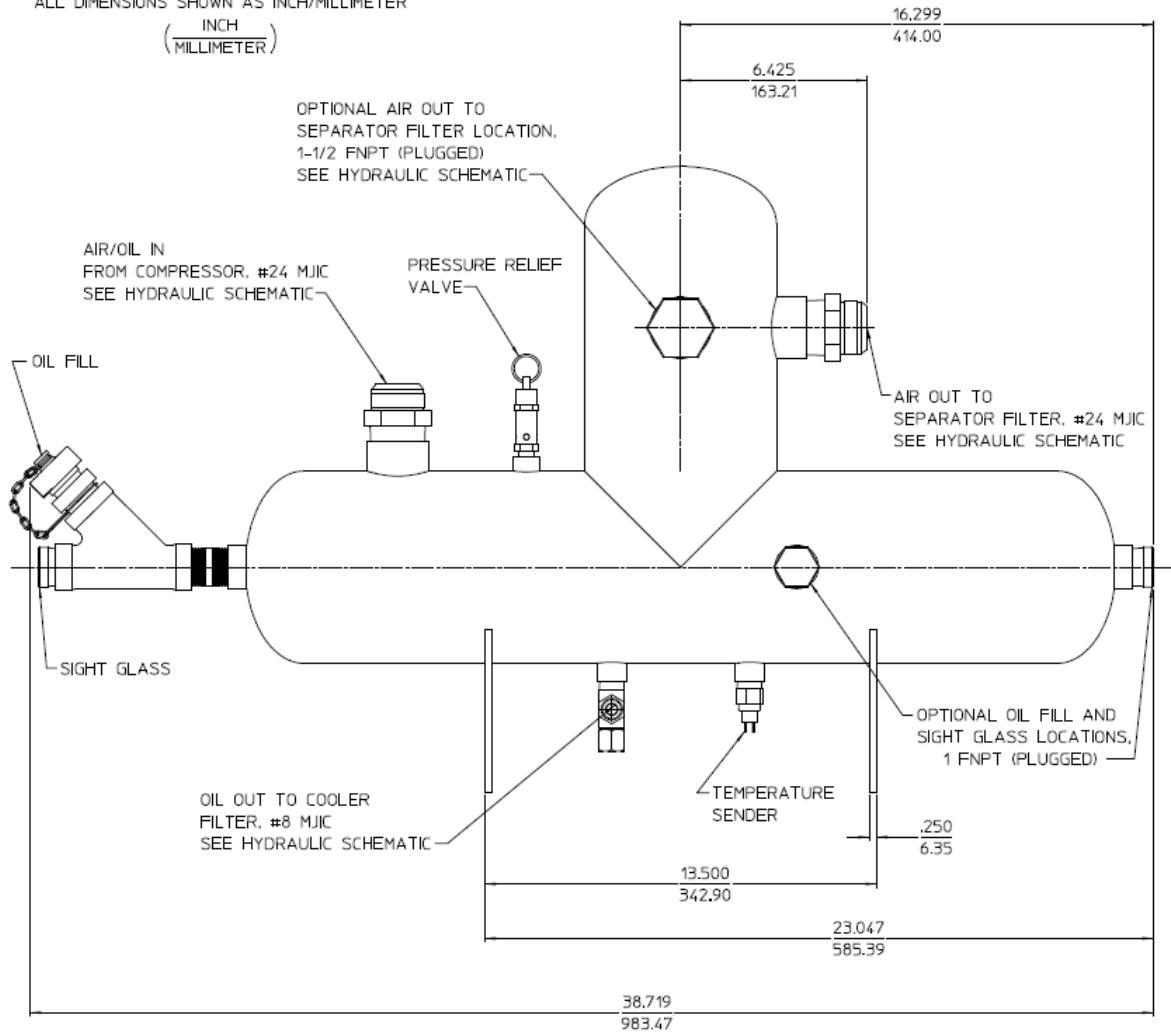


ALL DIMENSIONS SHOWN AS INCH/MILLIMETER
($\frac{\text{INCH}}{\text{MILLIMETER}}$)

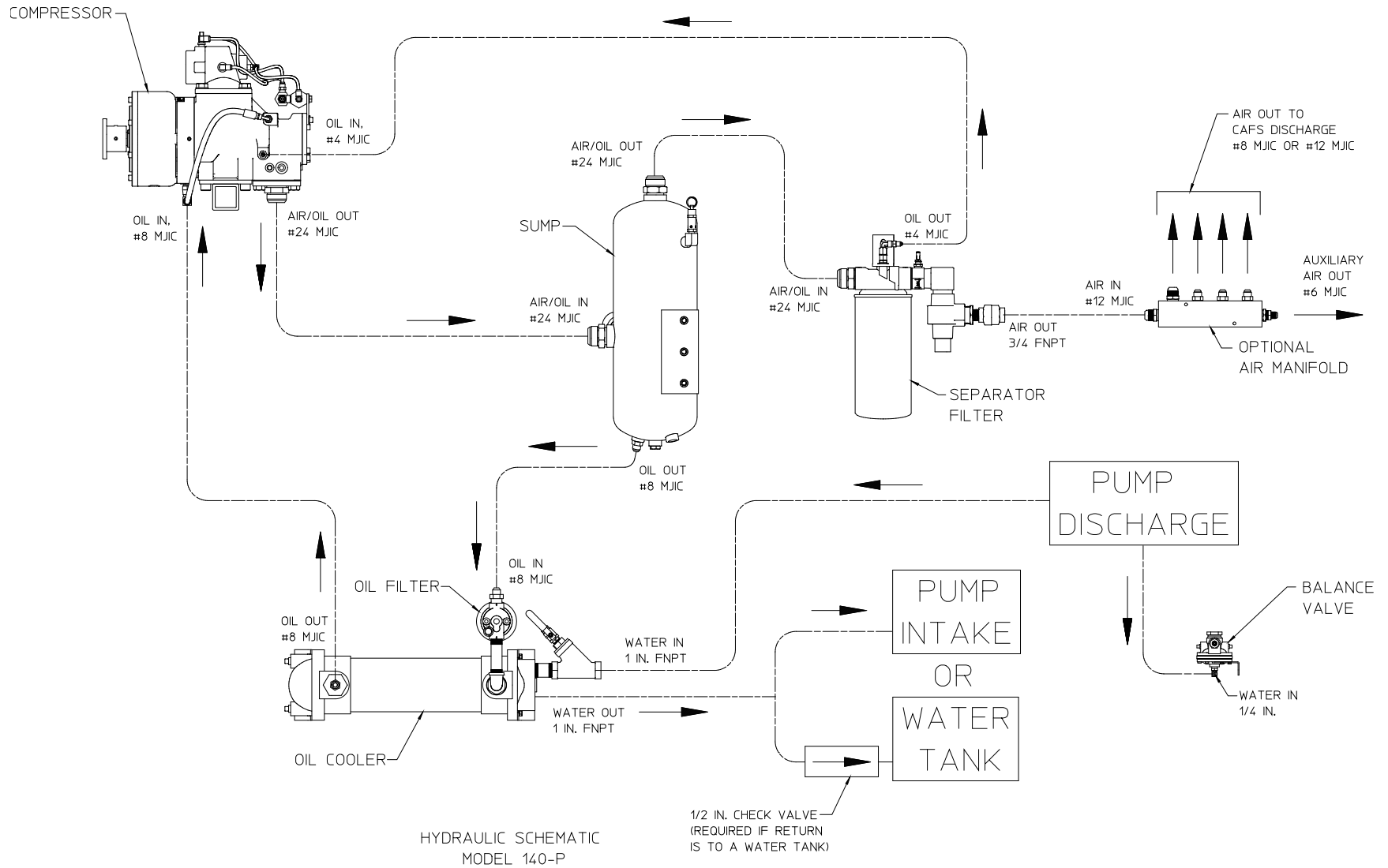
OPTIONAL AIR OIL COOLER
(ELECTRIC FAN)

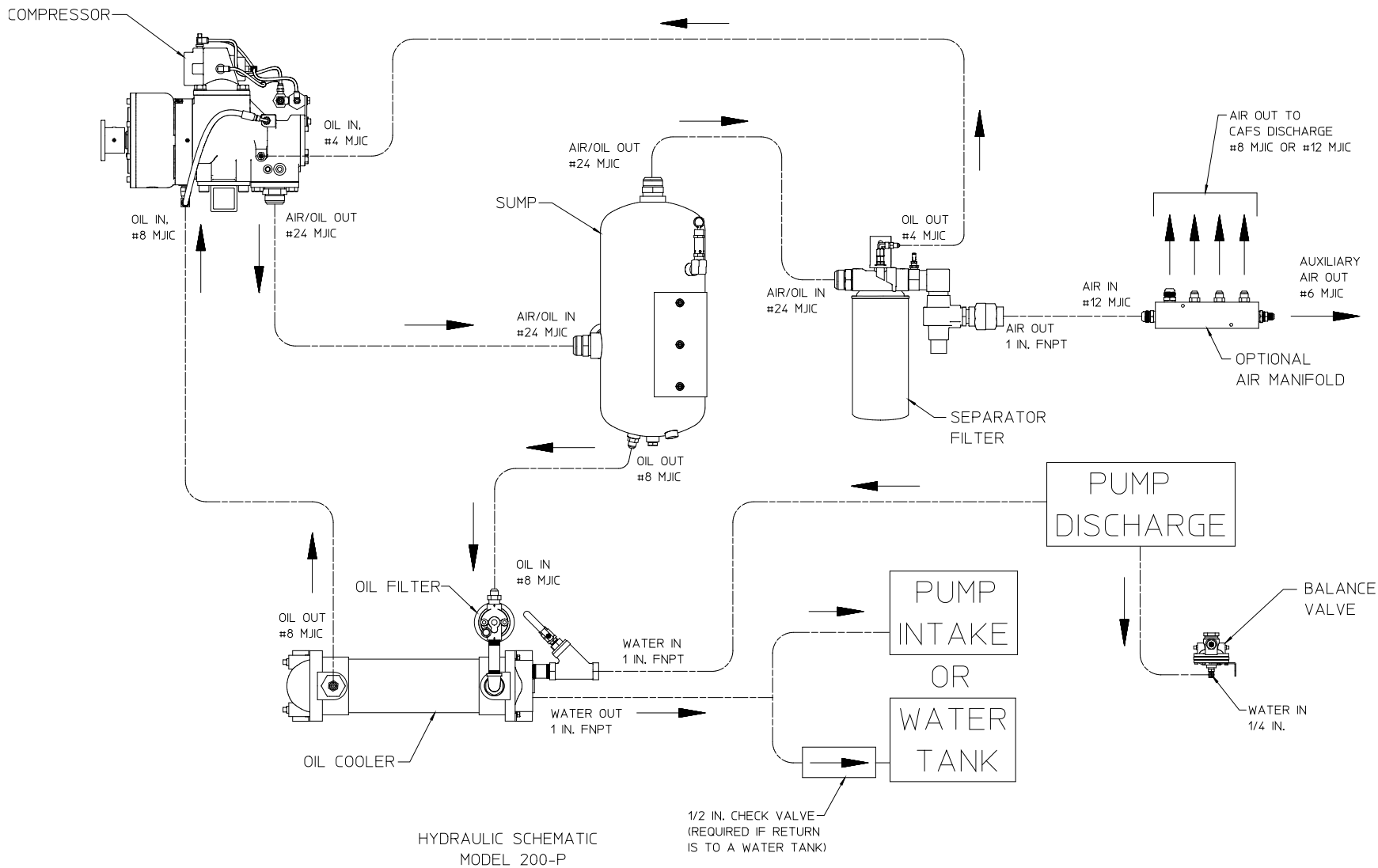
MAY BE USED AS SECONDARY COOLER IN CONJUNCTION WITH
OIL COOLER ON PAGE 5,
NOT AVAILABLE AS STAND ALONE COOLER

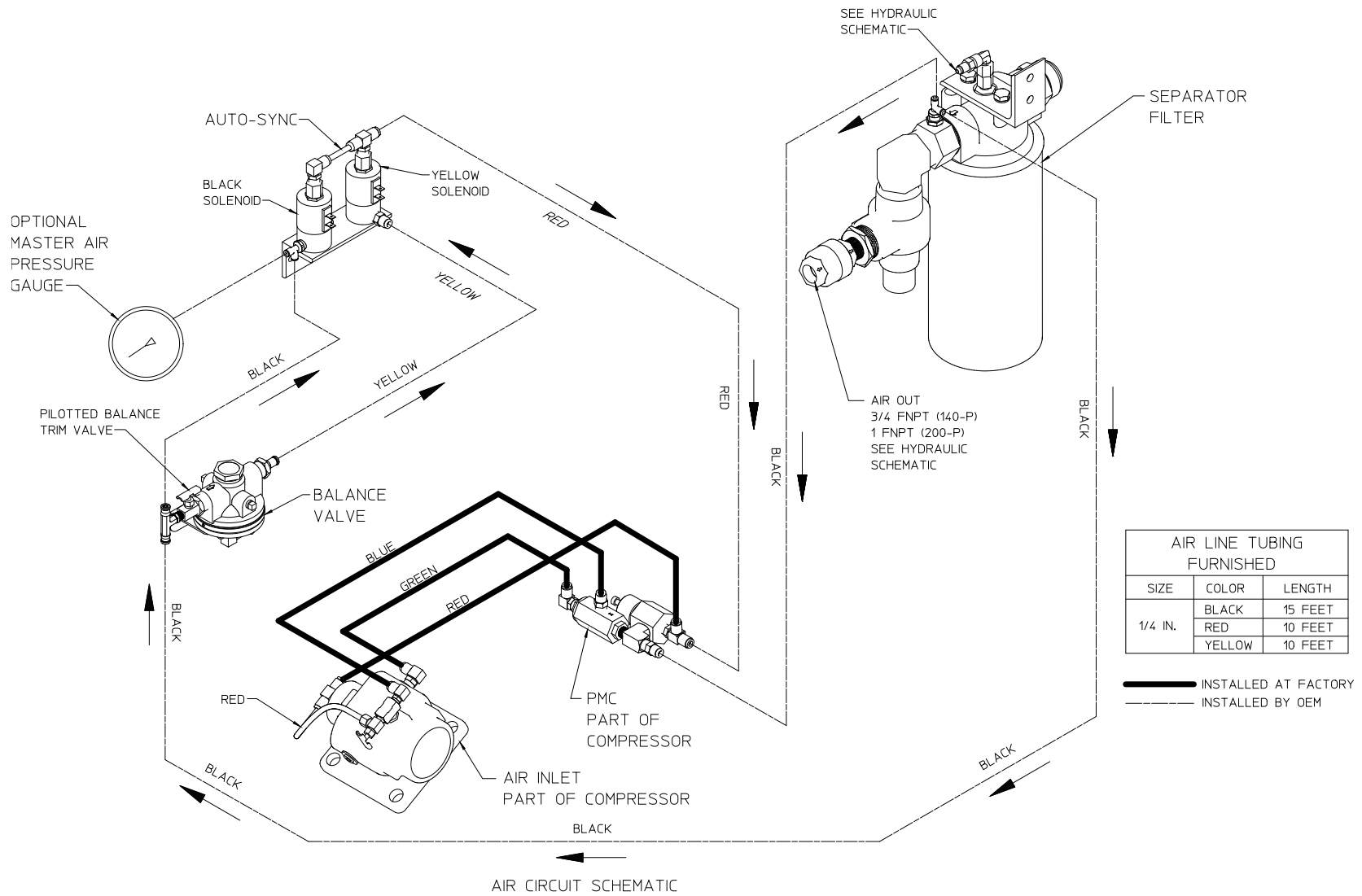
ALL DIMENSIONS SHOWN AS INCH/MILLIMETER
 INCH
 (MILLIMETER)



OPTIONAL TEE SUMP (OIL RESERVIOR)







IGNITION SWITCH
POWER SOURCE +12 OR 24V

SUMP AND TEMPERATURE
SENDER, SEE PAGES 3 & 4

OIL TEMPERATURE
GAUGE, SEE PAGE 7

RESISTOR
24V ONLY

1/4 IN.
LARGE
TERMINAL

CHASSIS
GROUND

3/16 IN.
SMALL
TERMINAL

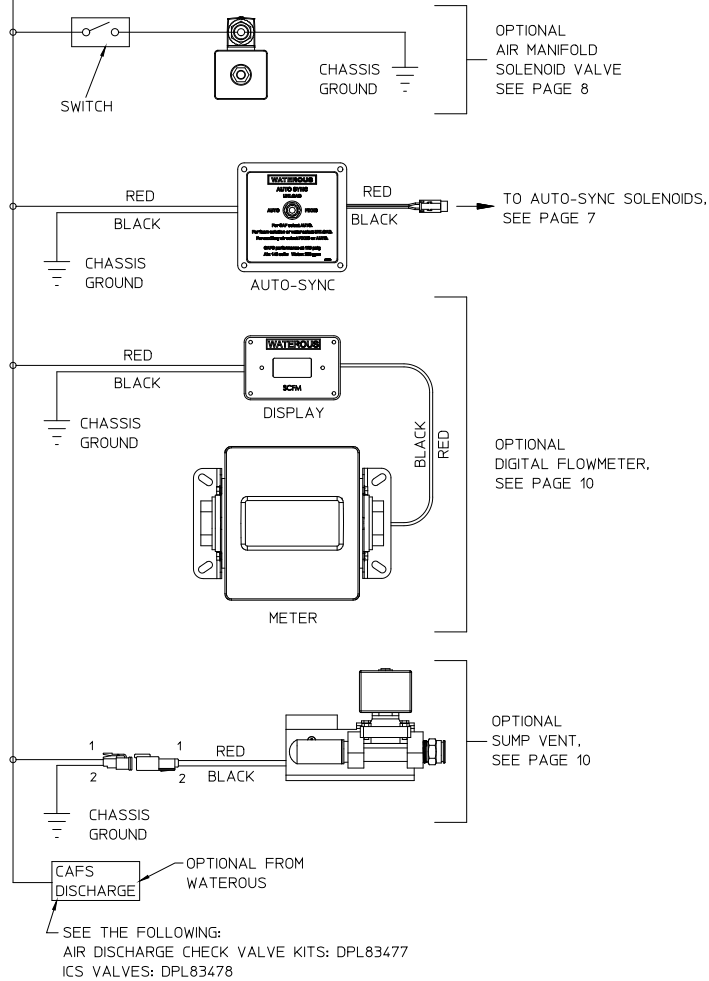
OPTIONAL
COMPRESSOR OVERHEAT
WARNING LIGHT

NOTE: WIRING AND LIGHT NOT
FURNISHED BY WATEROUS

NOTE: ALL WIRE 16 GAGE UNLESS NOTED OTHERWISE.

CAFS COMPRESSOR ENGAGE
POWER SOURCE +12 OR 24V

WIRING NOT IDENTIFIED BY
COLOR, SWITCHES AND LIGHTS
NOT FURNISHED BY WATEROUS



ELECTRICAL SCHEMATIC