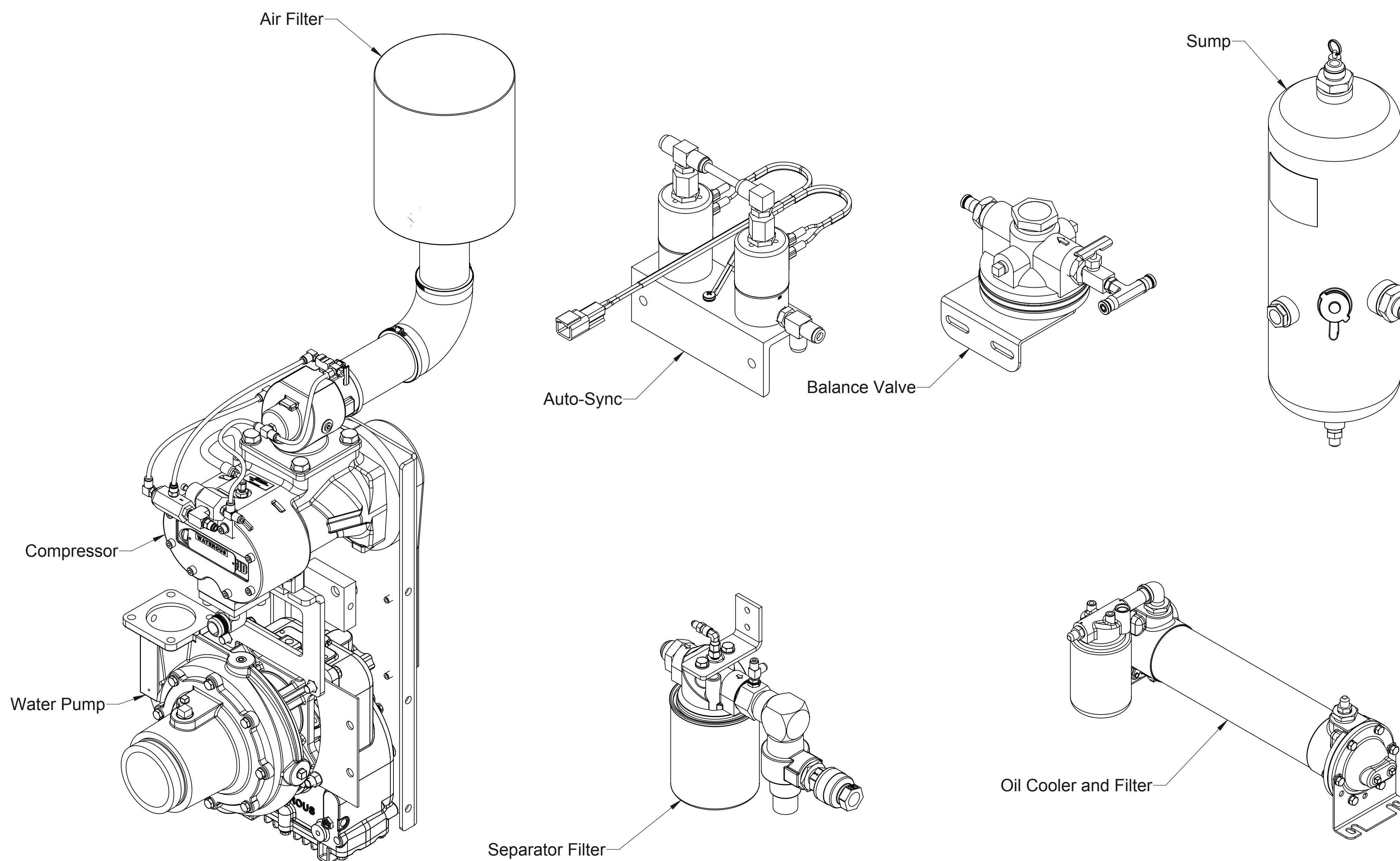
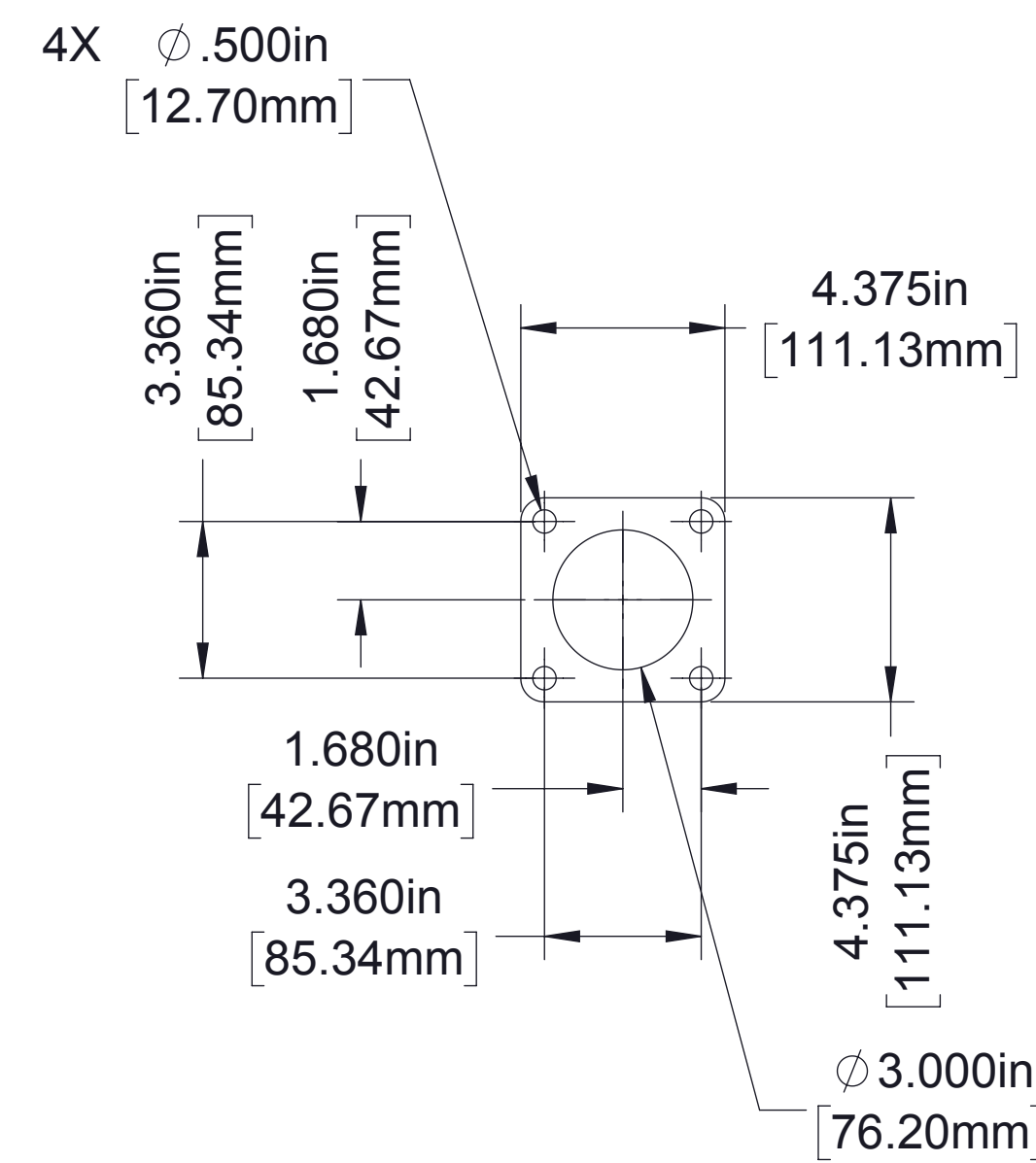


PTO Compressor System Dimensional Drawings

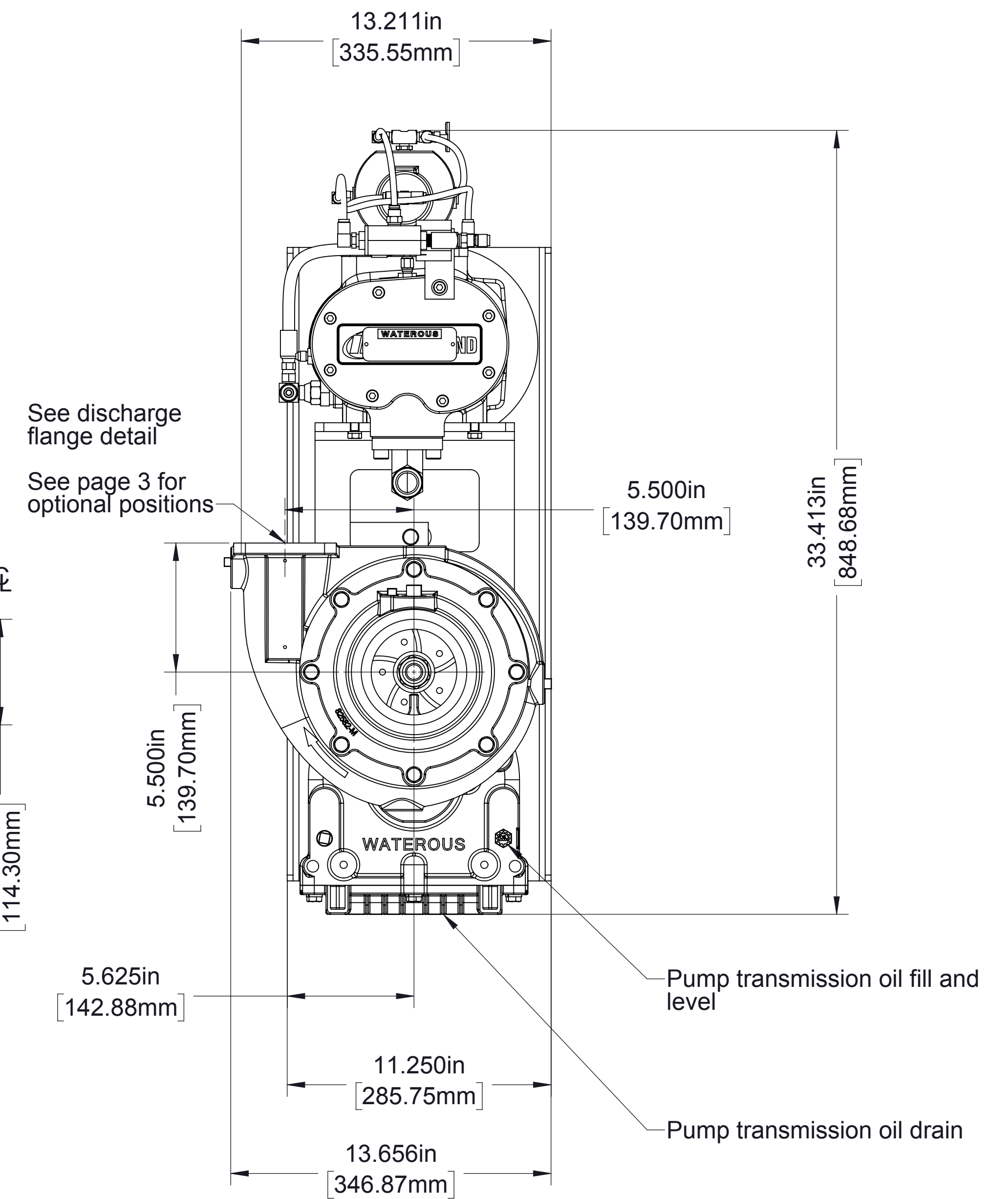
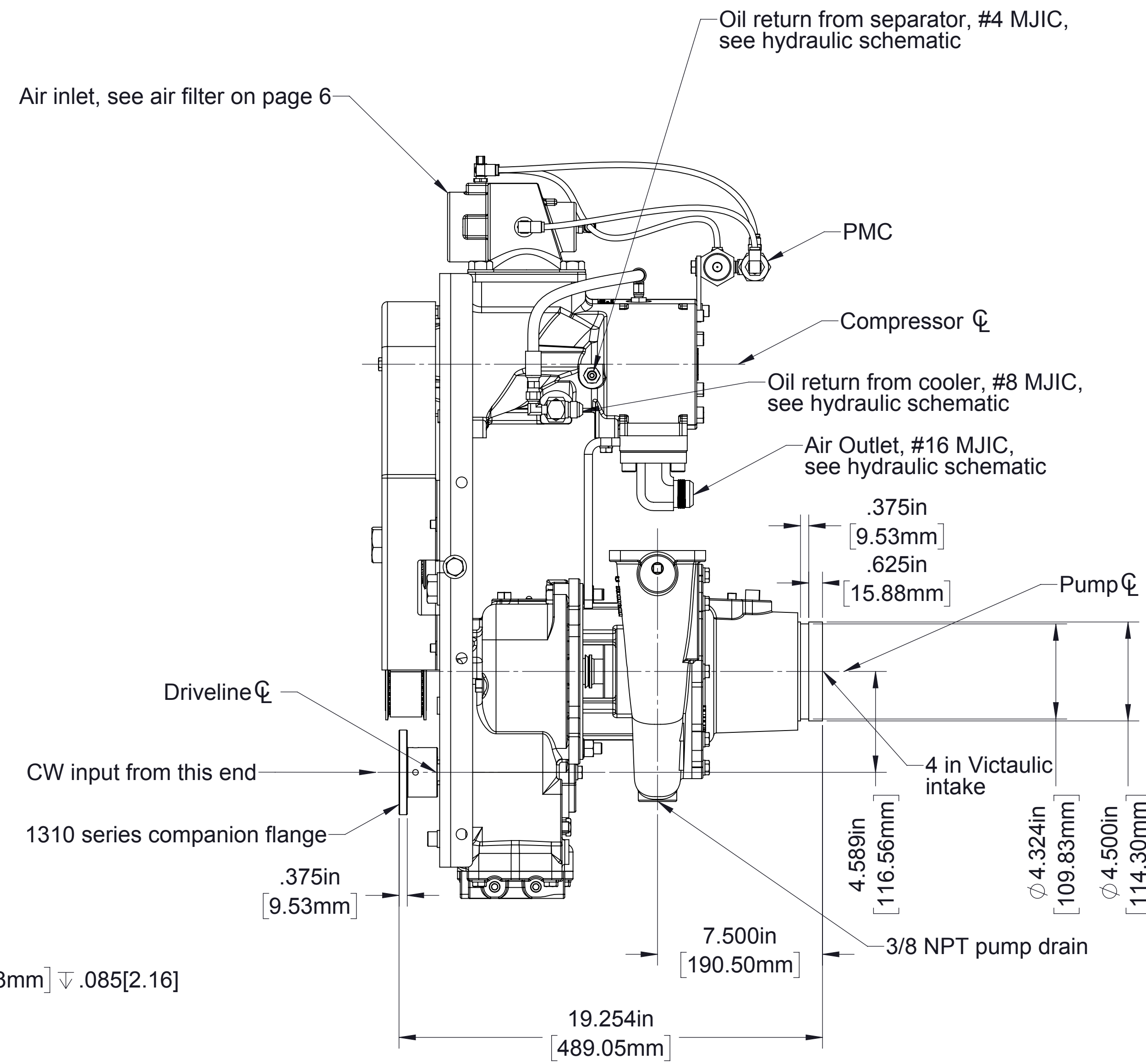
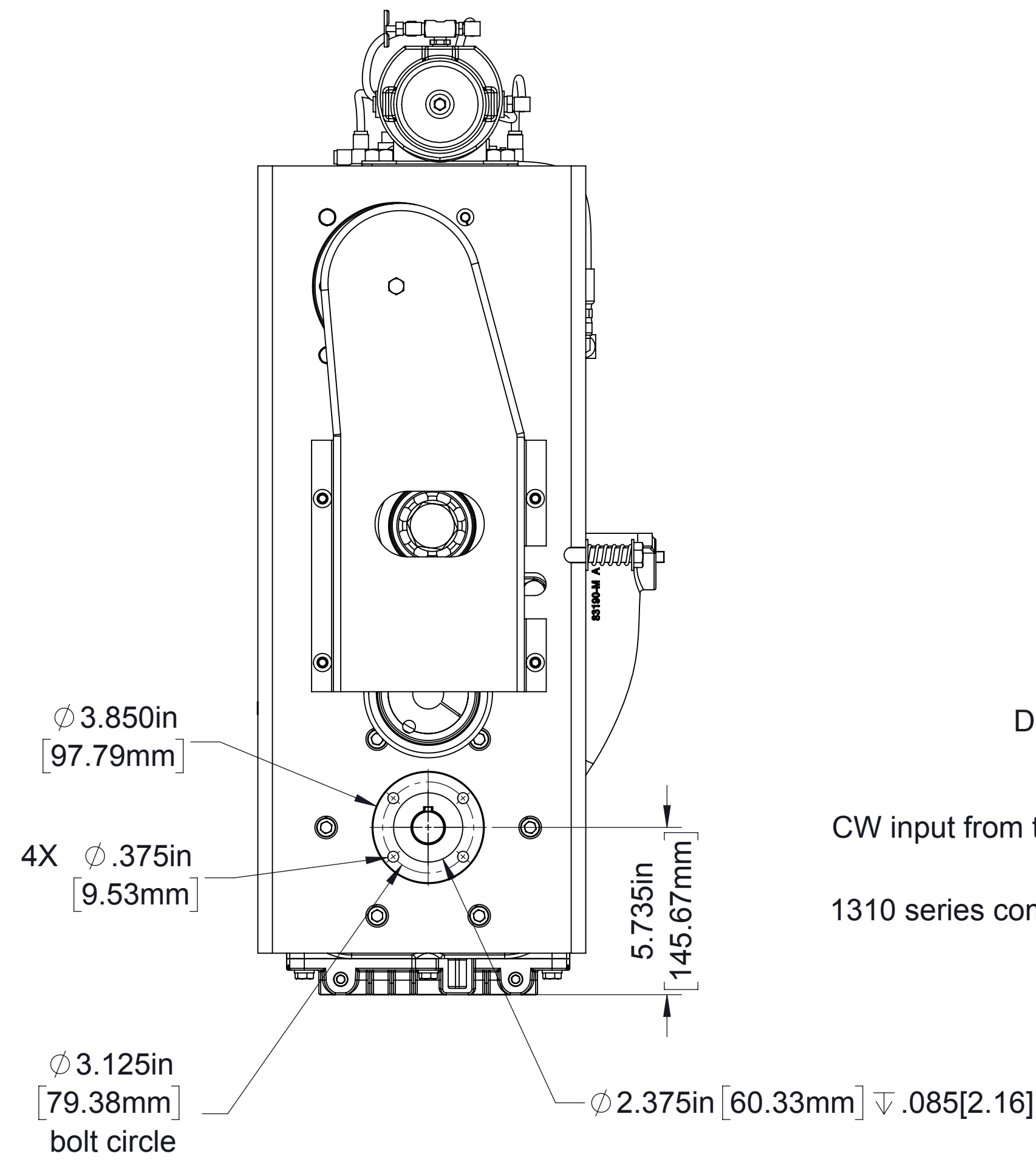
Models 500-100-P and 500-120-P Includes fire pump model CLVK



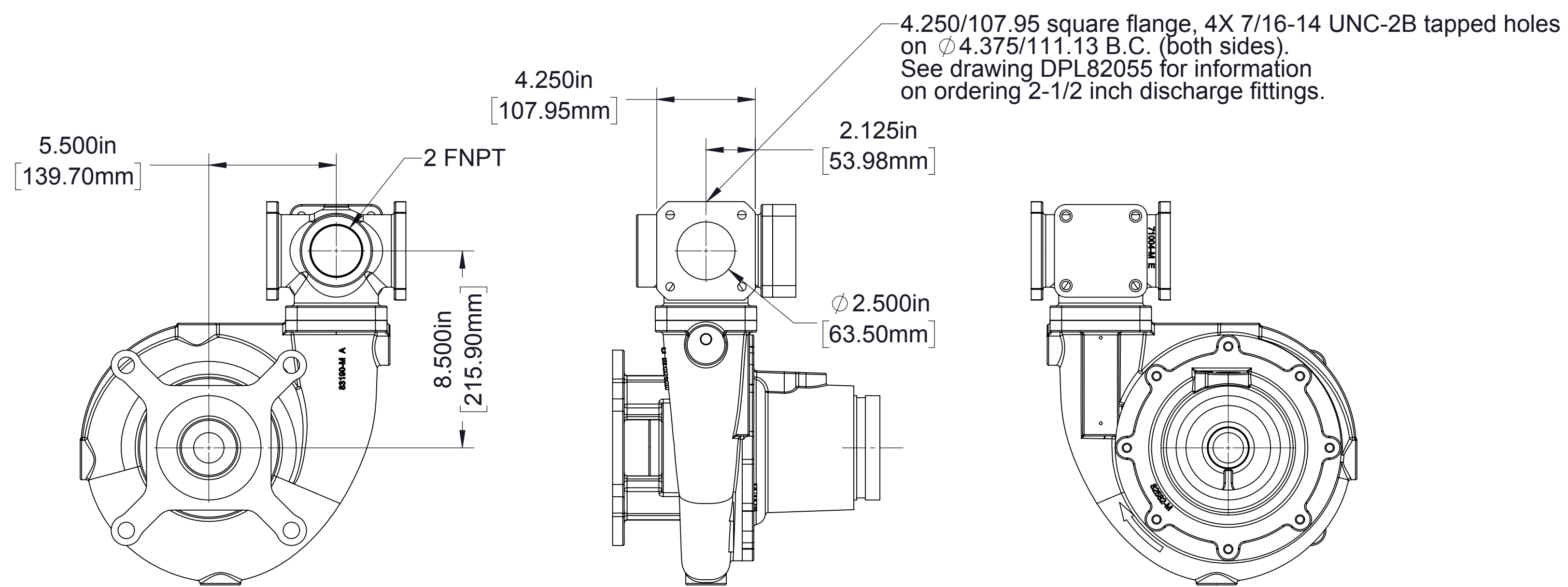
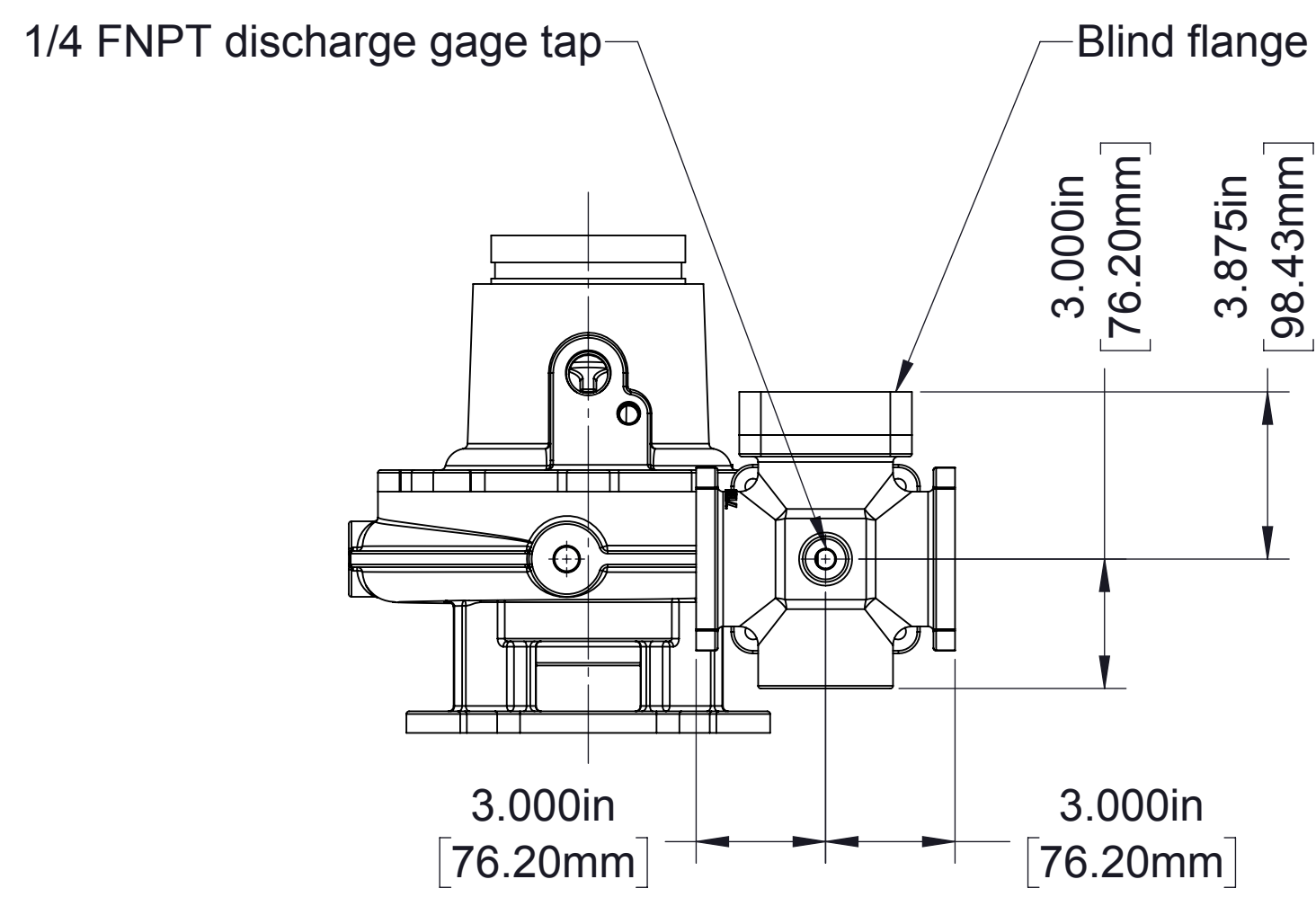
Standard Components:	Page
• Compressor and Water Pump	2
• Available Pump Discharge Positions	3
• Sump (Oil Reservoir)	4
• Oil Cooler and Filter	5
• Air Filter	6
• Separator Filter	6
• Auto-Sync	7
• Balance Valve	7
• Oil Temperature Gauge	7
• Panel Plates	7
Optional Components:	
• Pump Discharge Fittings	3
• Air Oil Cooler (Electric Fan)	8
• Air Distribution Manifold	9
• Auxiliary Air Connection	10
• Air Pressure Gauge	11
• Digital Flow Meter	11
• Sump Vent	11
• Oil Inject Check Valve	See DPL83810
• Hose and Fitting Kit	See DPL83810
CAF Discharge:	
• Air Discharge Check Valve Kits	See DPL83477
• ICS Valves	See DPL83478
• Static Mixers	See DPL83603
• Manifolds	See DPL83682
Foam Pumps:	
• Models Aquis 1.5, 3.0 or 6.0	See F-1031-2447
Schematics:	
• Hydraulic	12
• Air Circuit	13
• Electrical	14



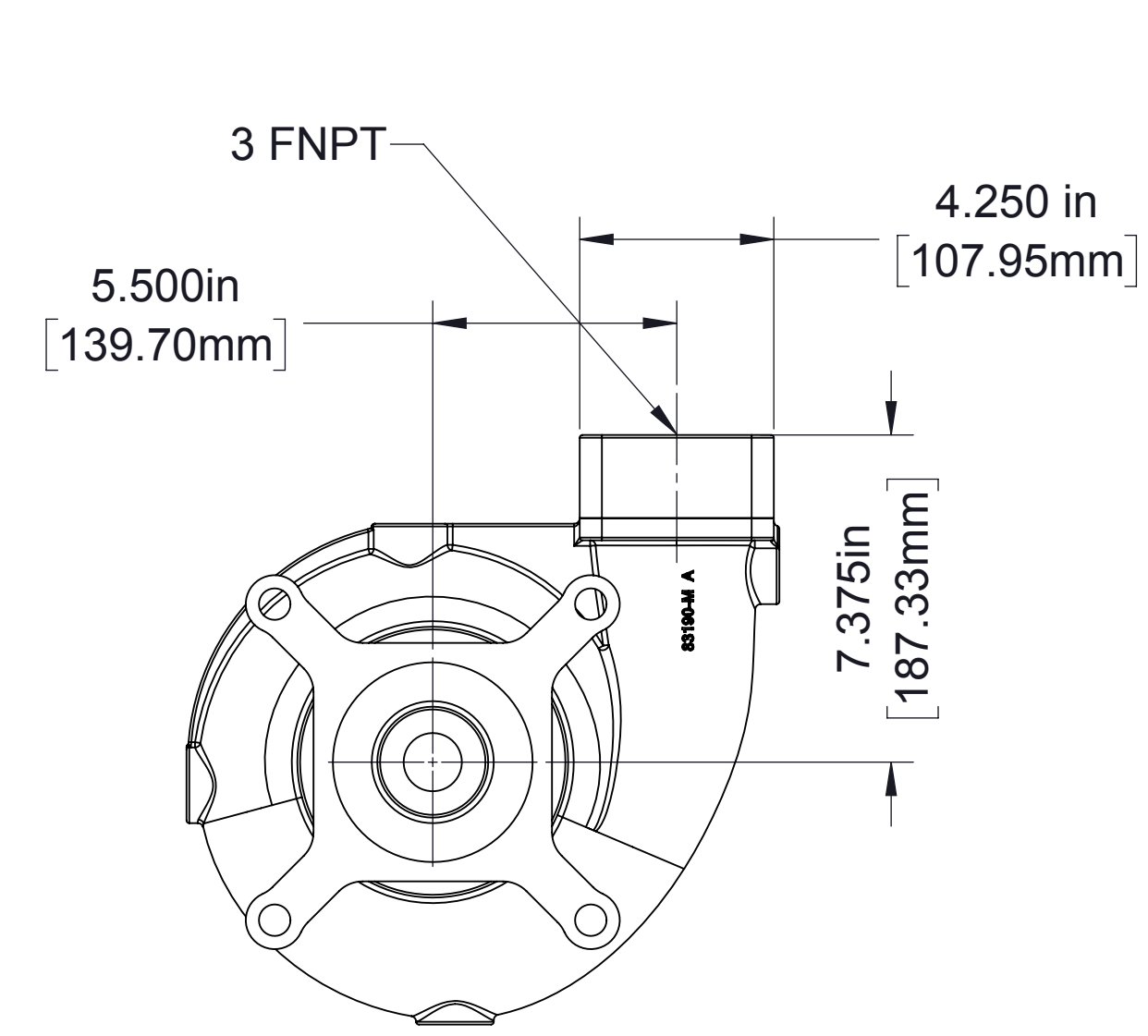
Discharge Flange Detail
 See optional fittings on page 3



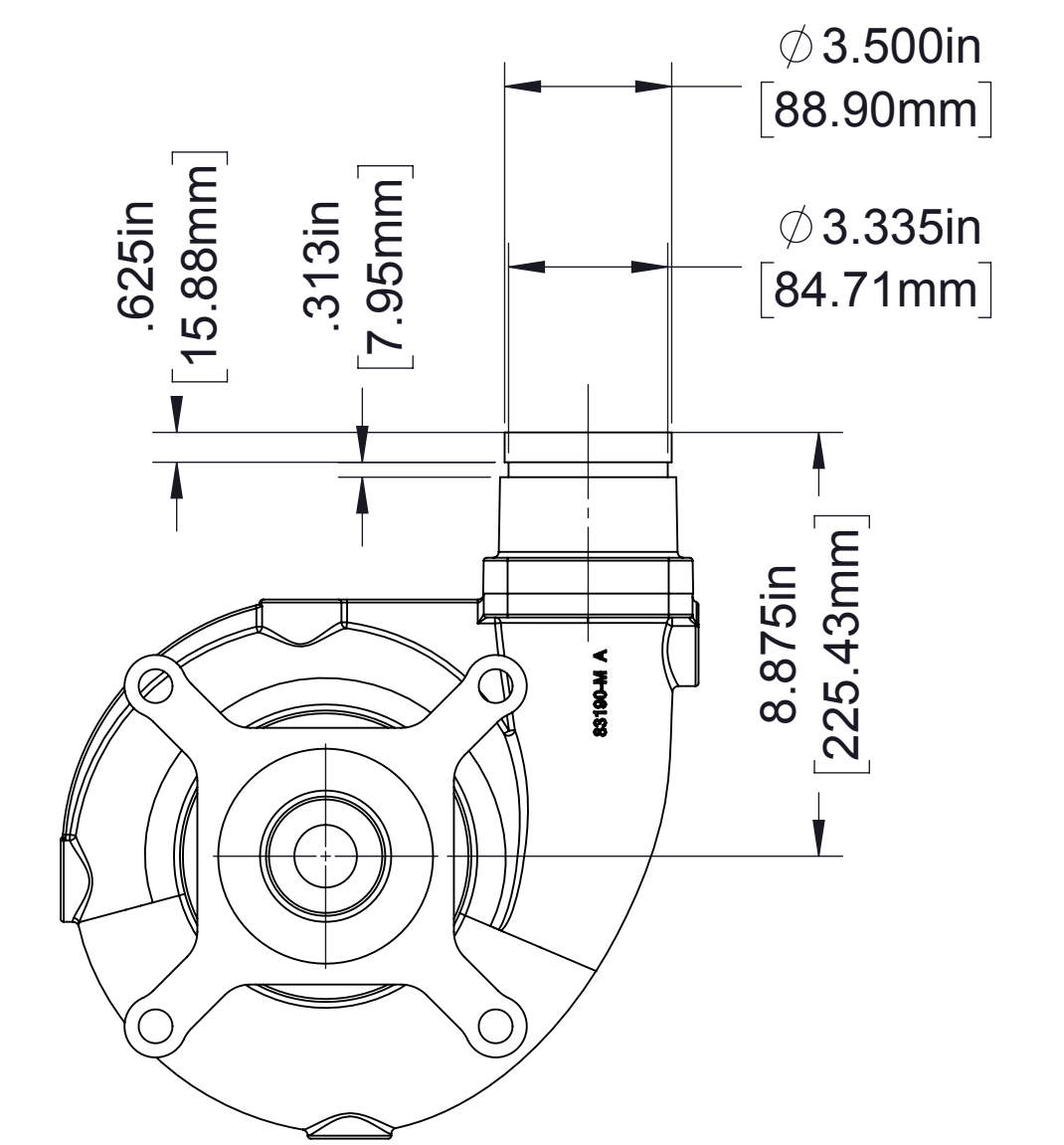
Compressor and Water Pump
 Up discharge position shown



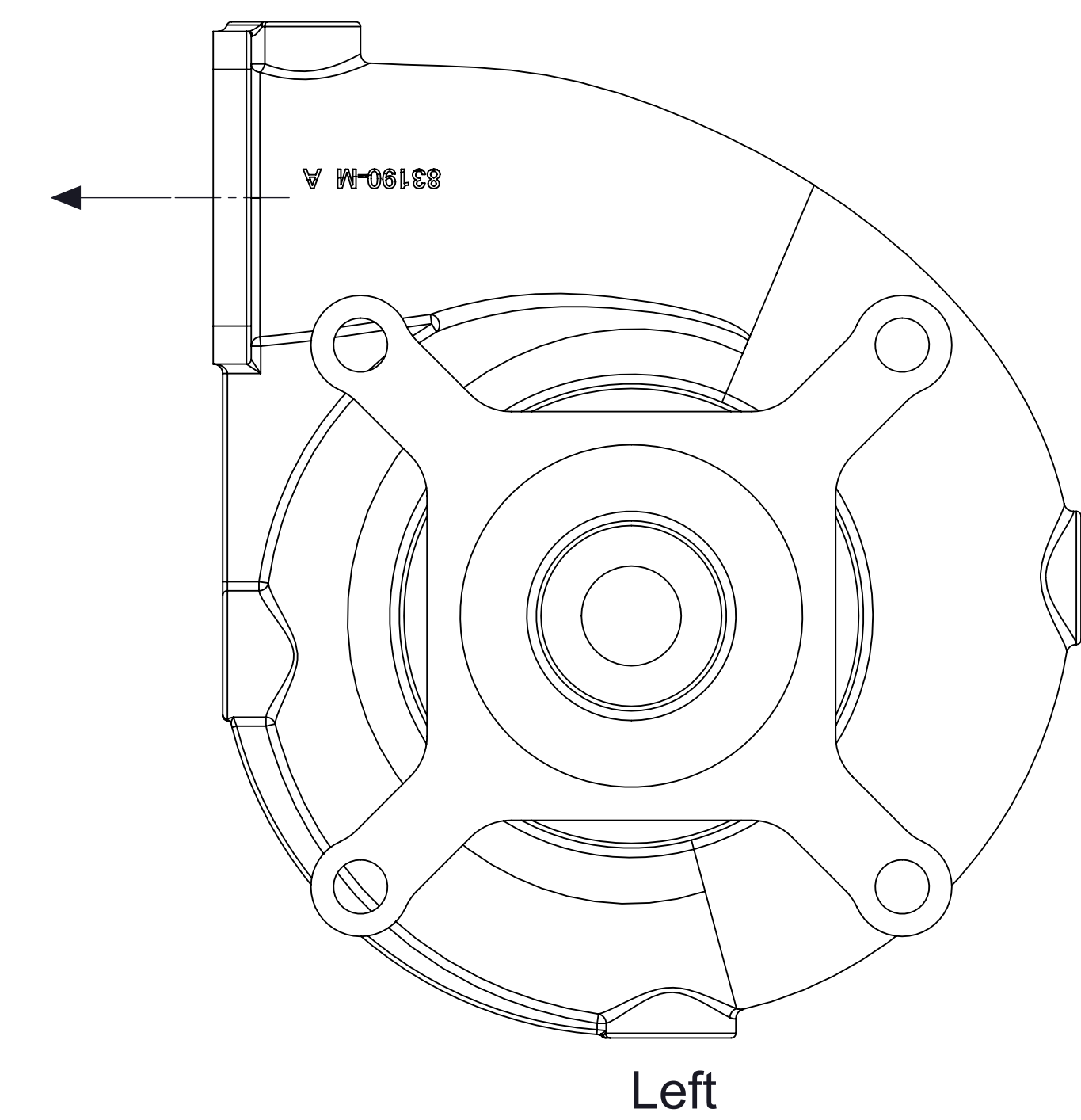
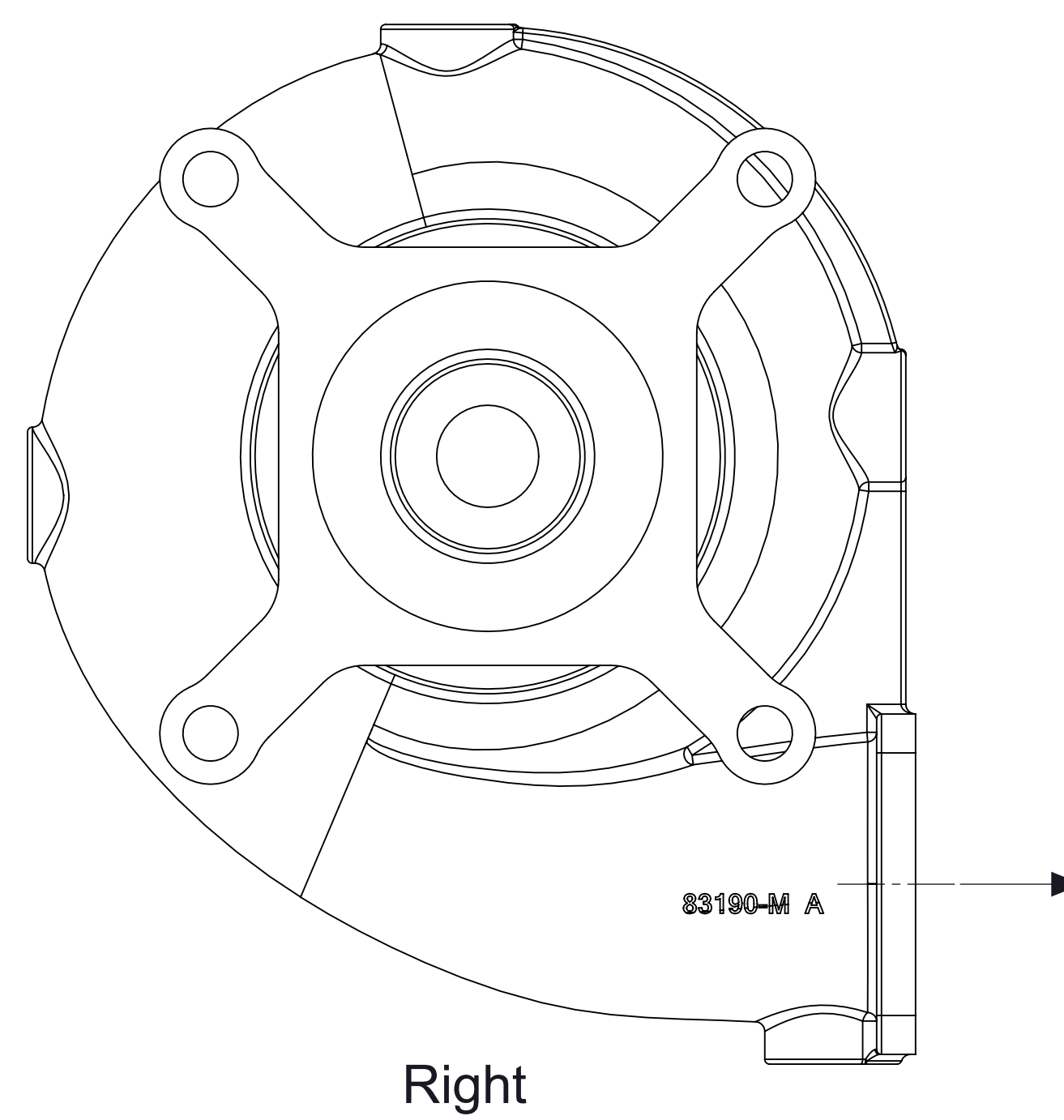
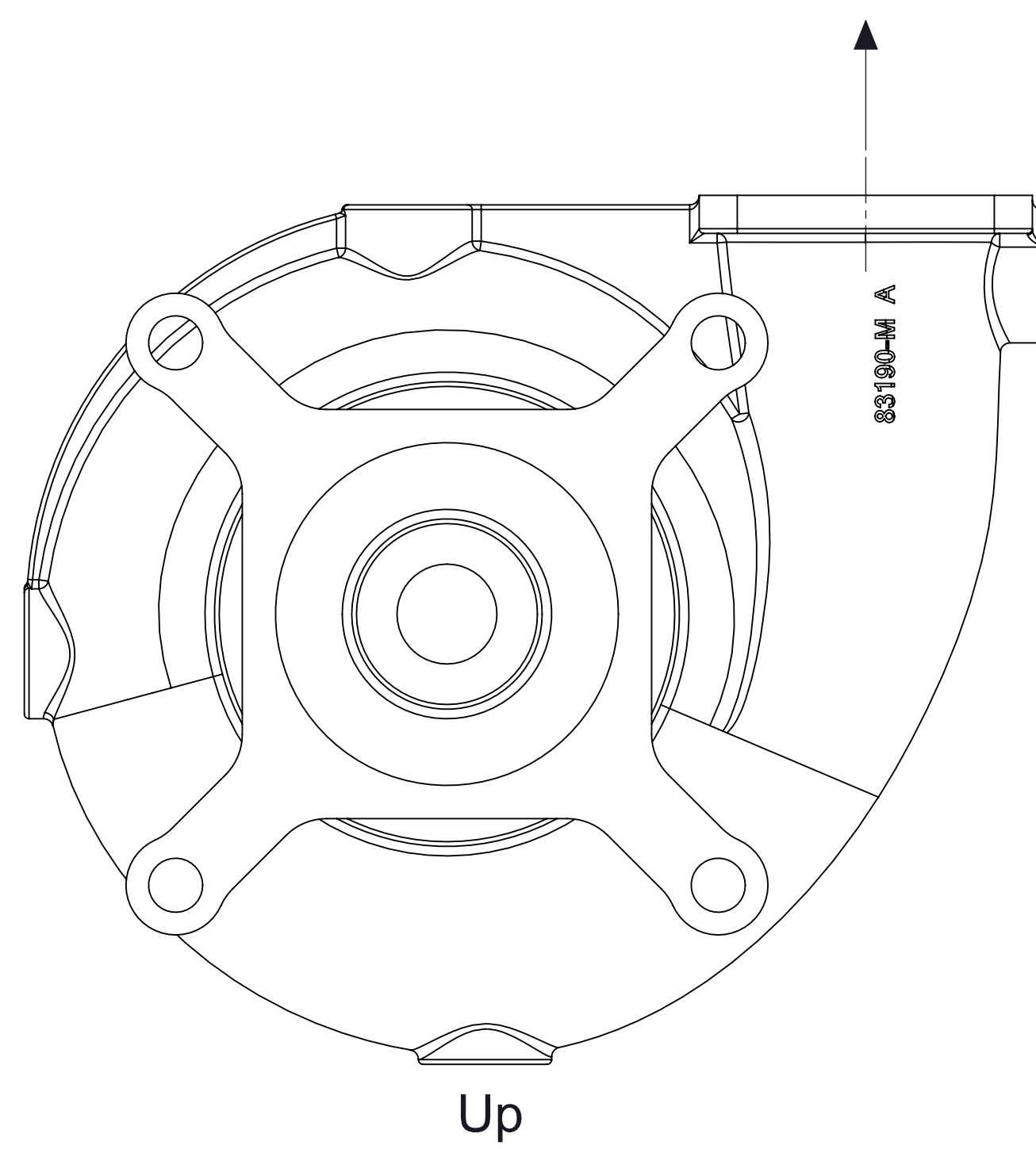
Optional Pump Discharge Head



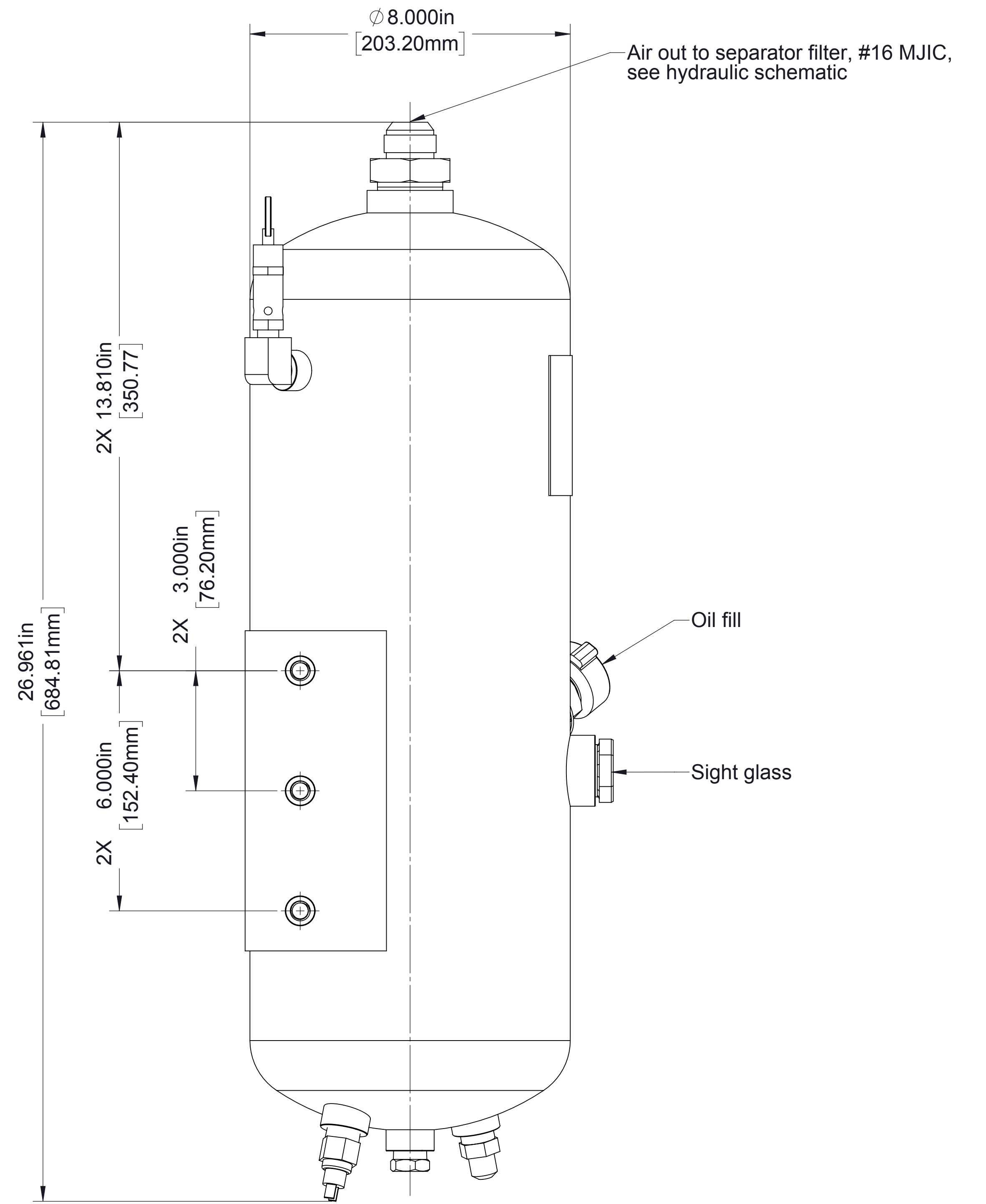
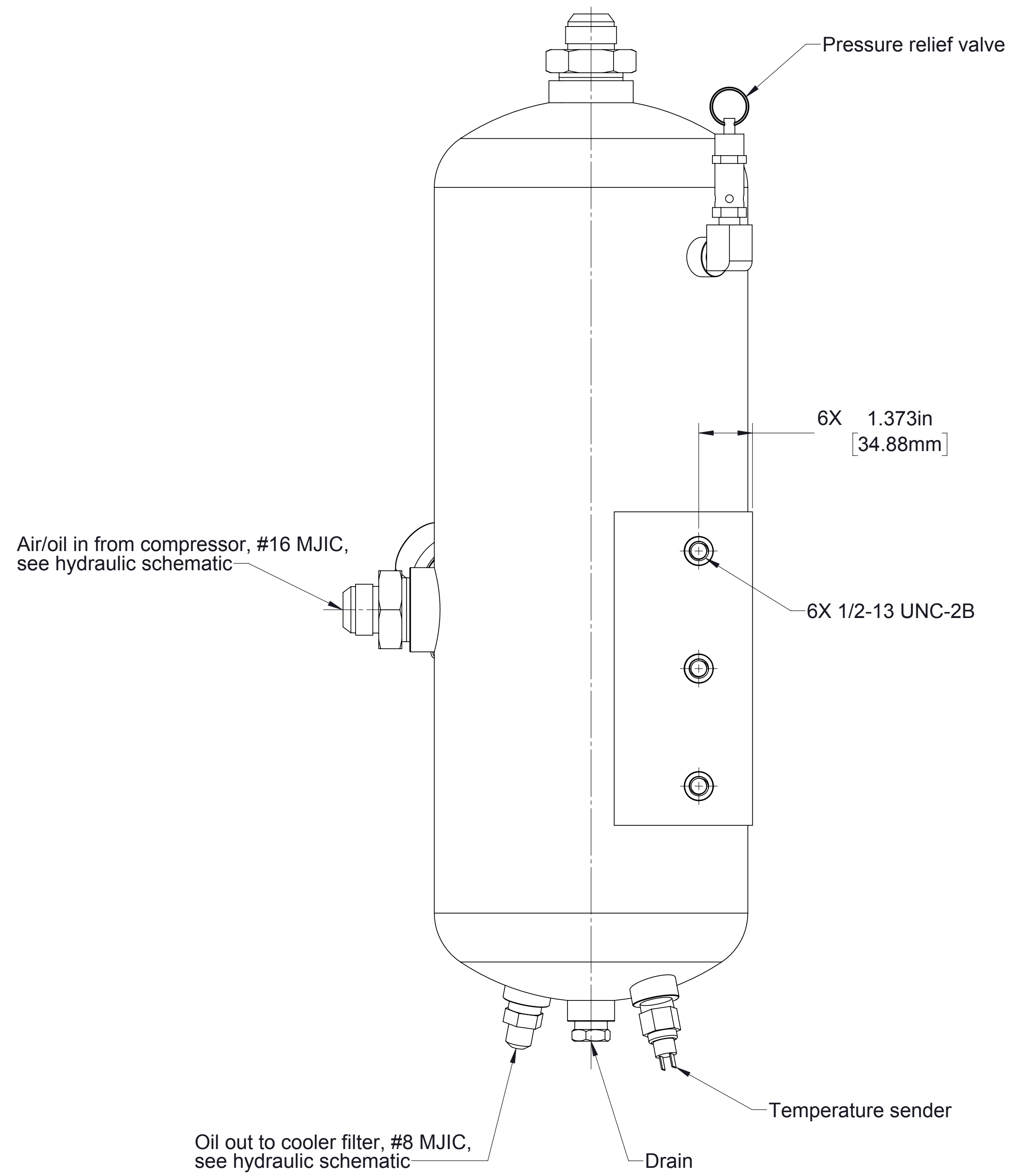
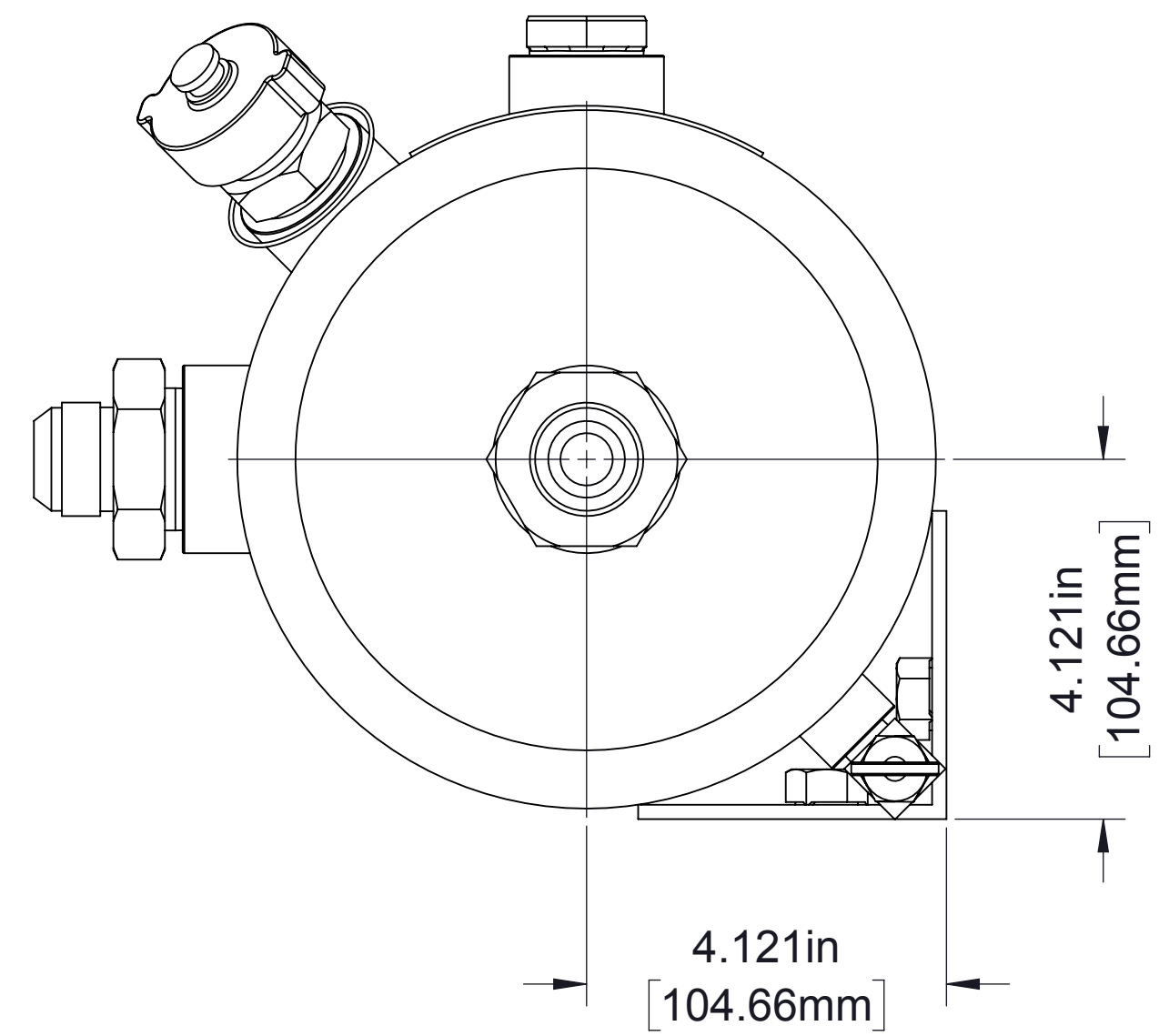
Optional 3 NPT Tapped Flange



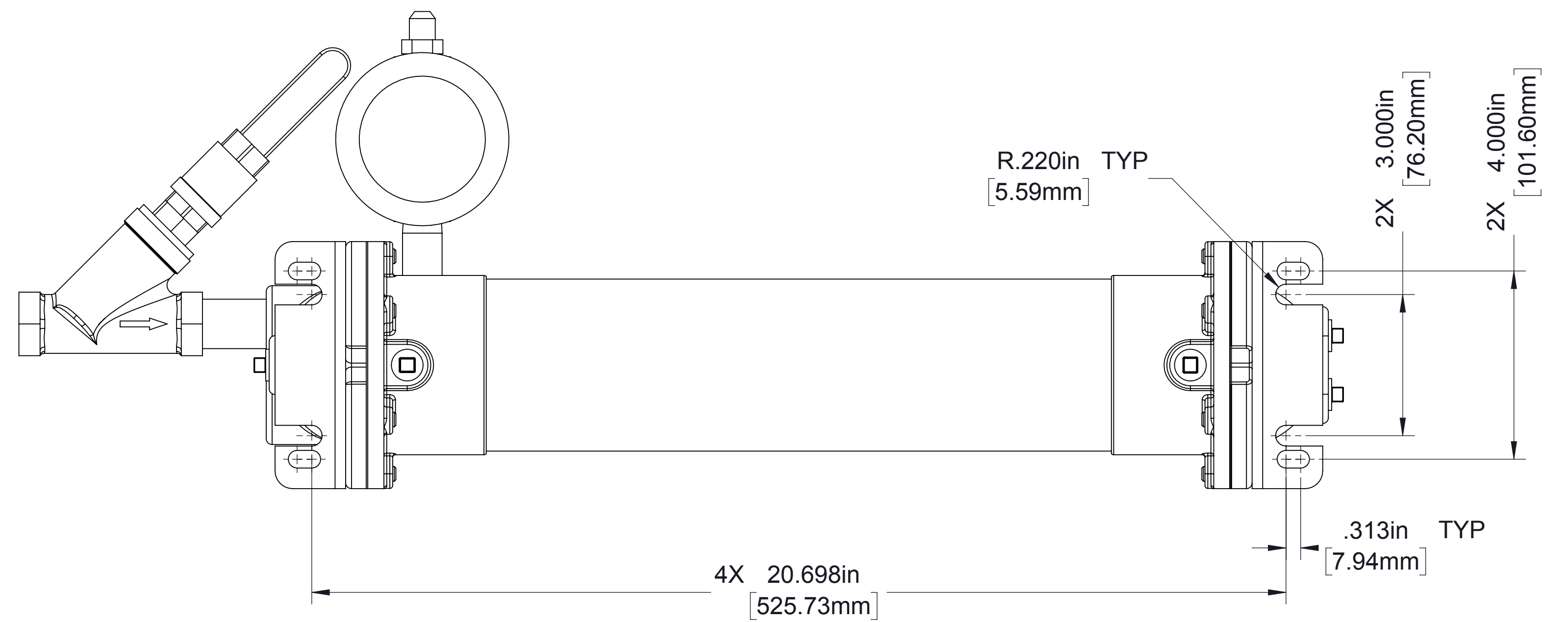
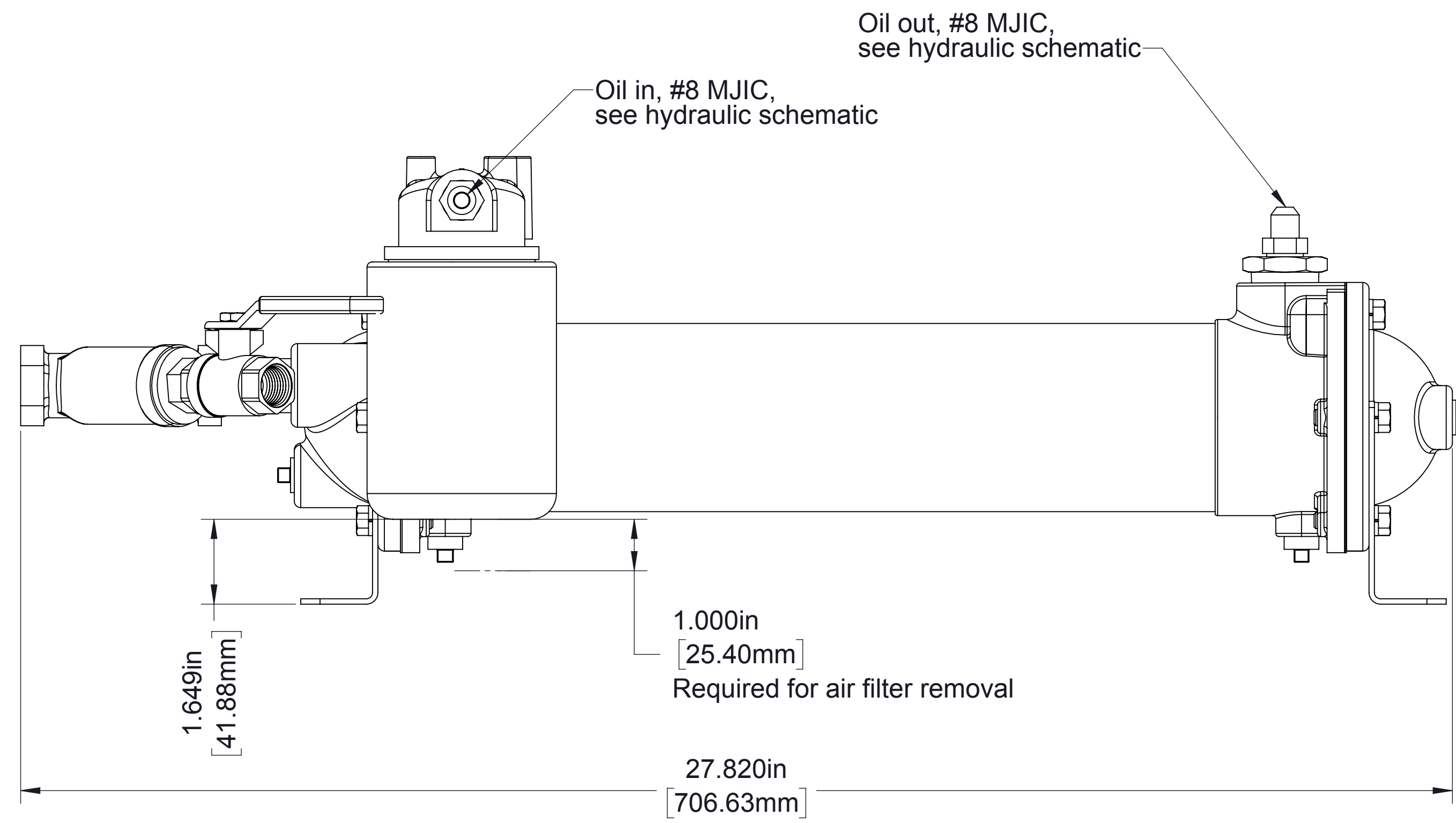
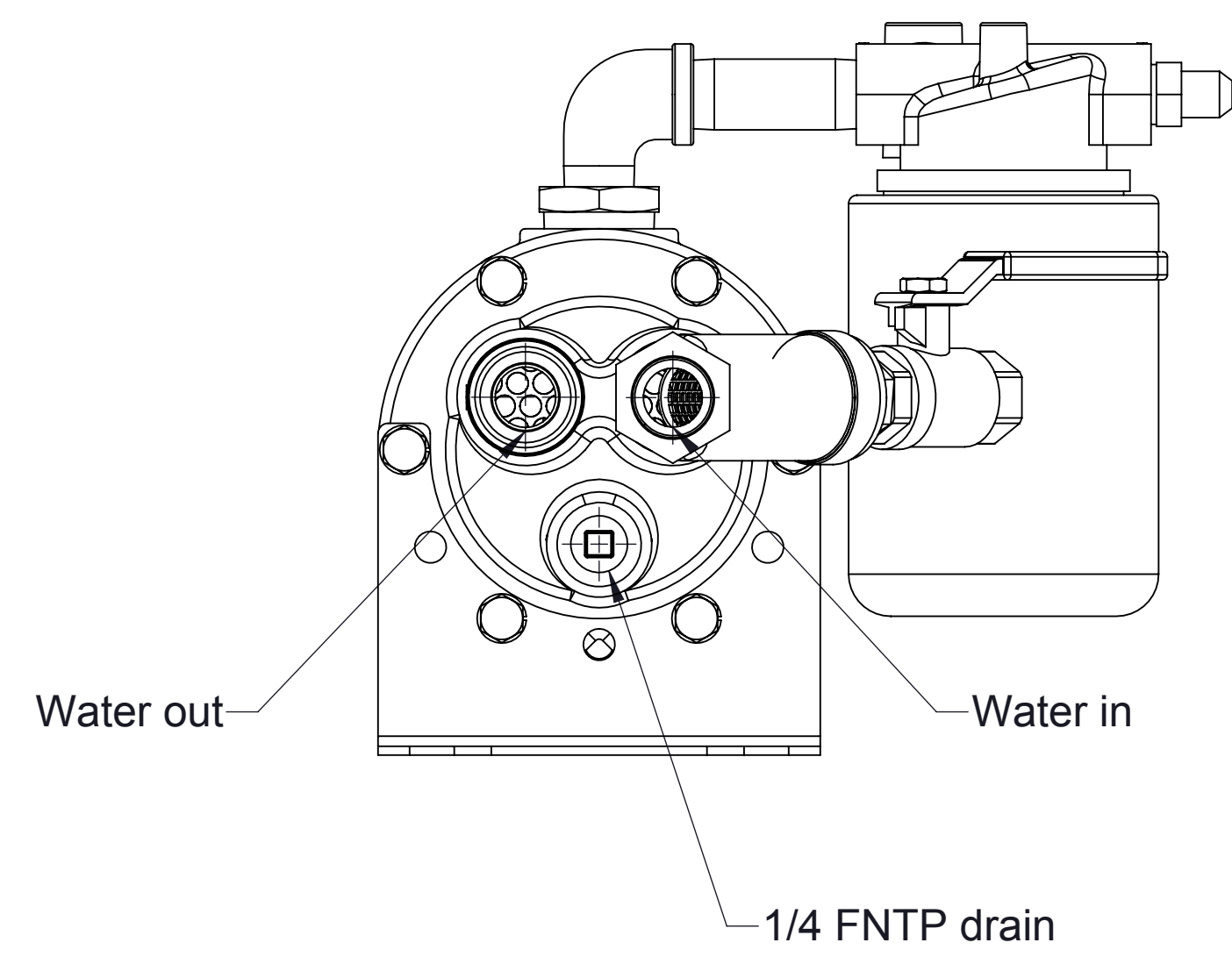
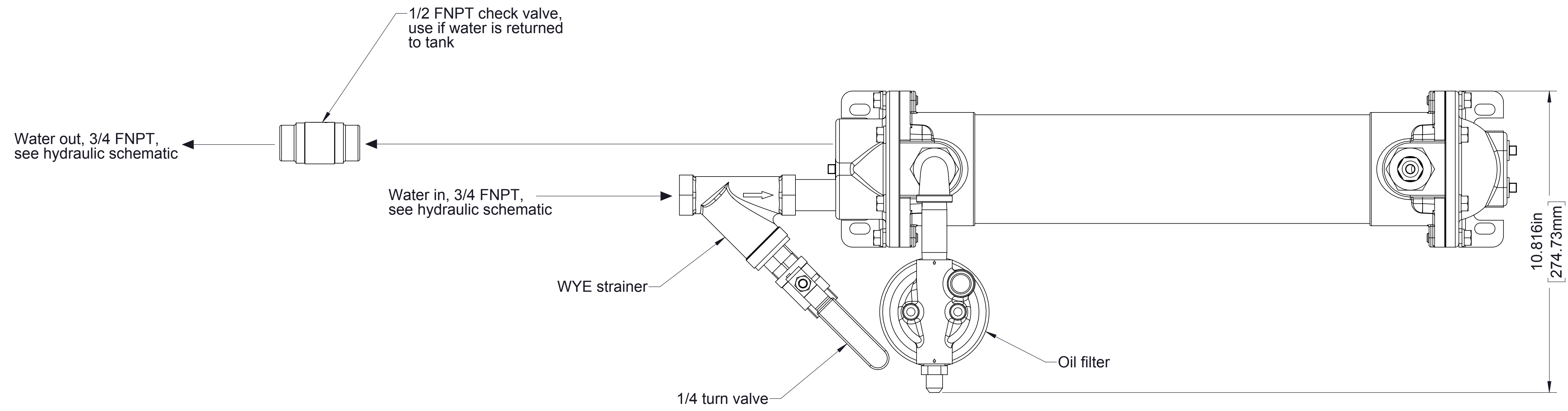
Optional 3 in Victaulic Flange

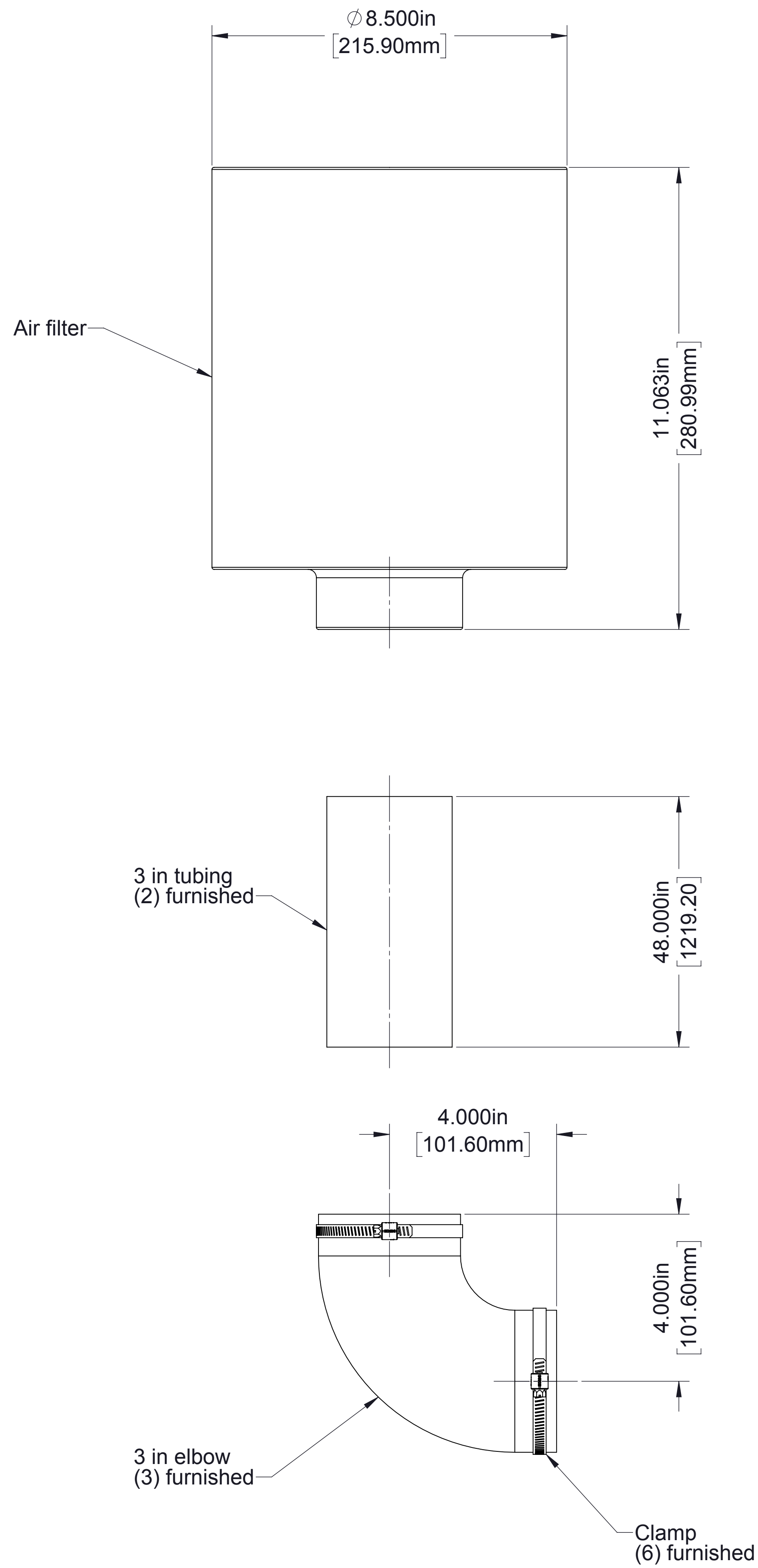


Available Discharge Positions, as viewed from input(transmission) end.

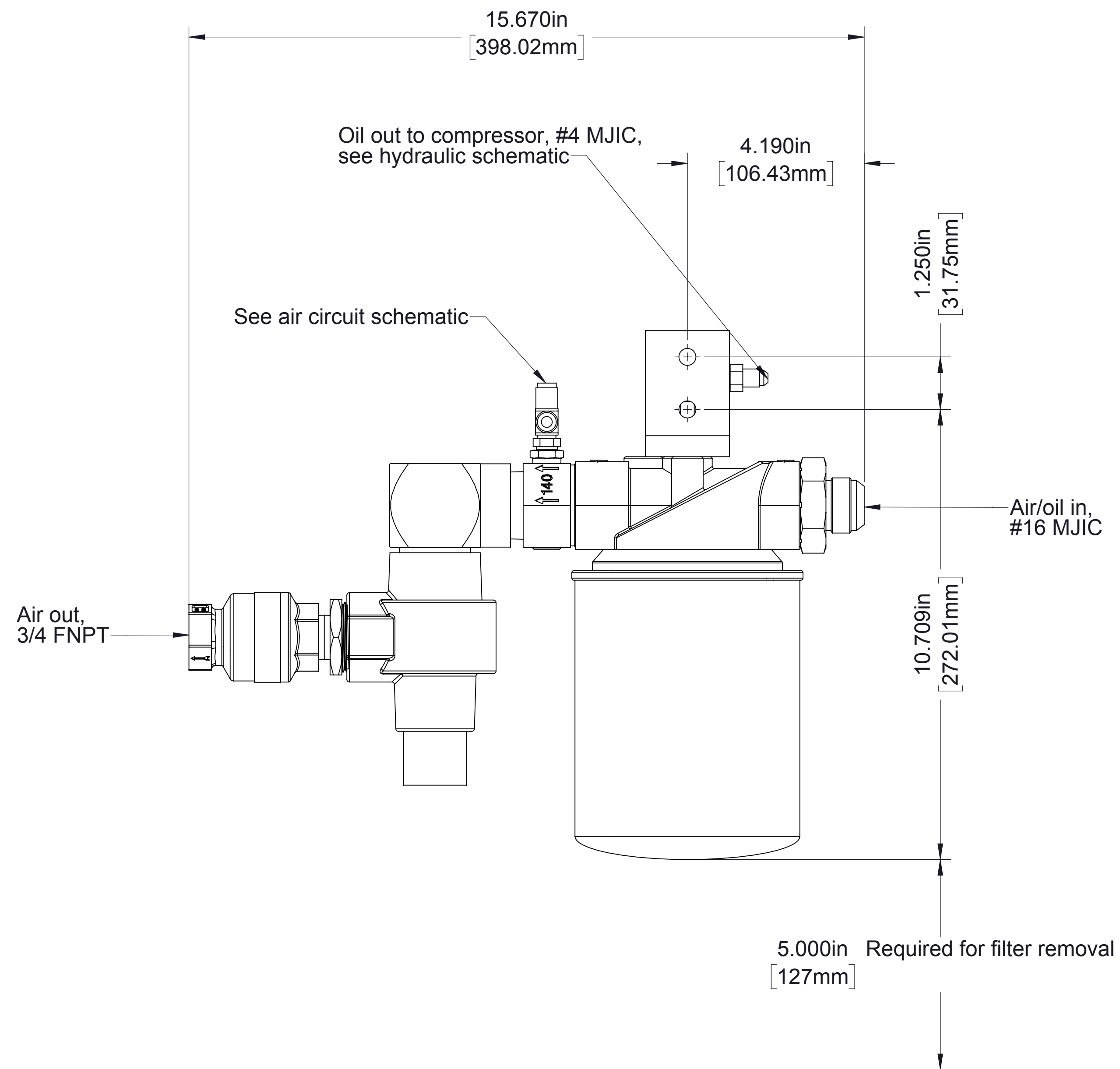


Sump (Oil Reservoir)

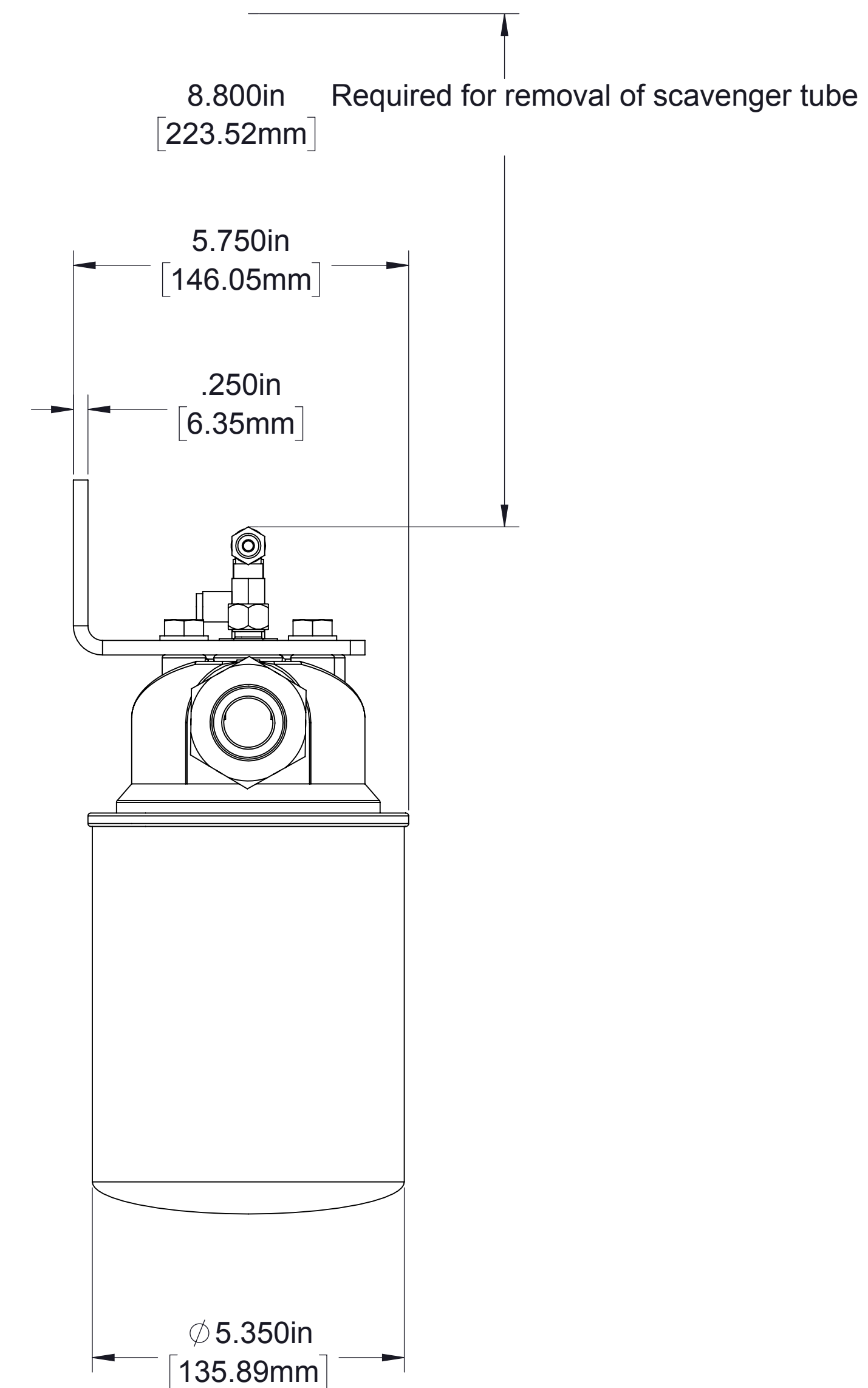


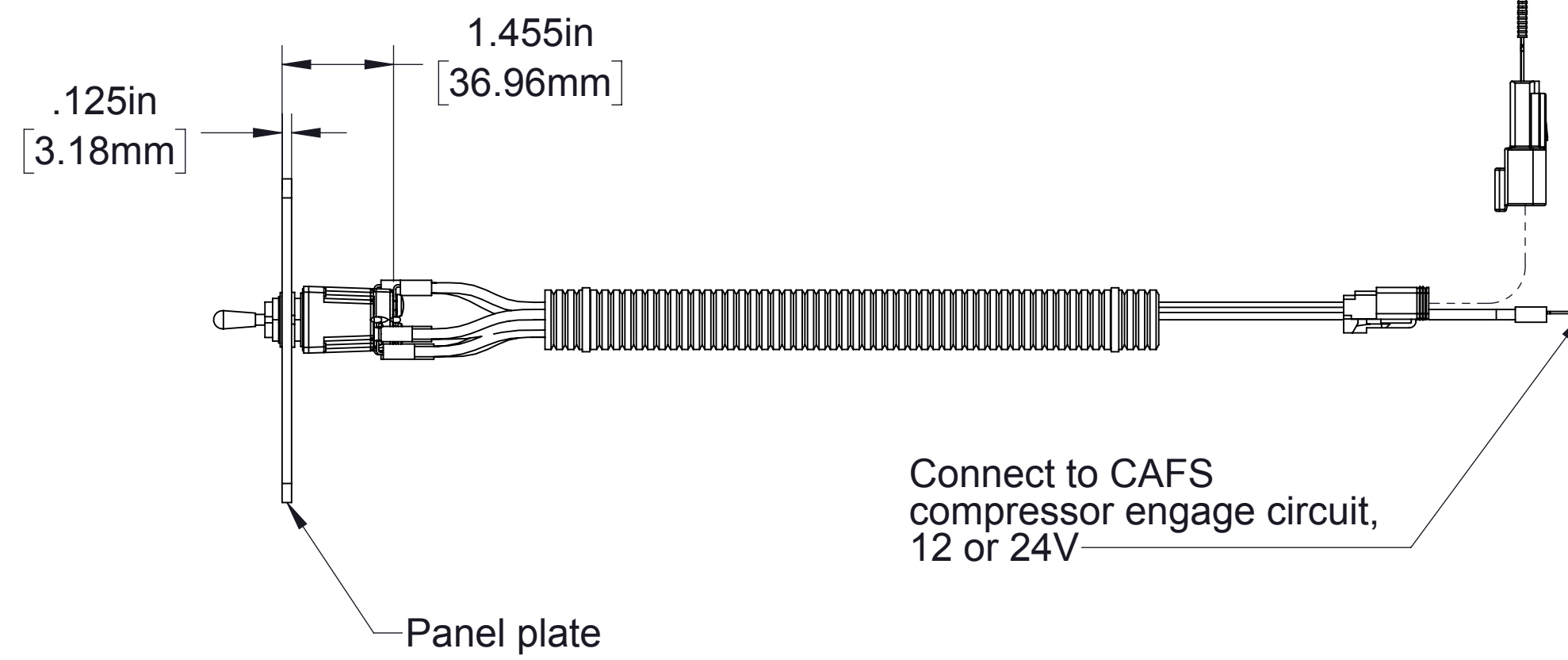
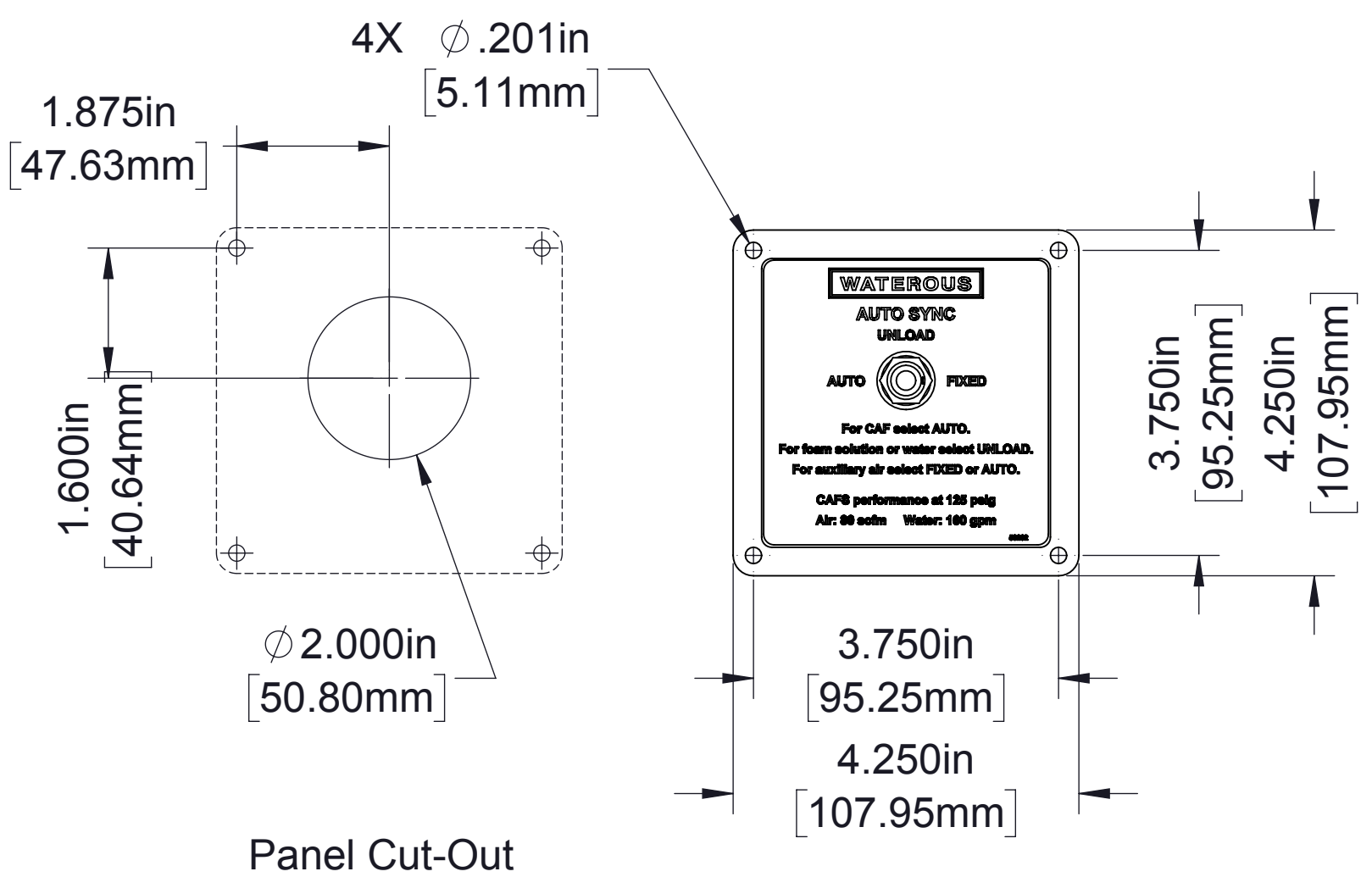
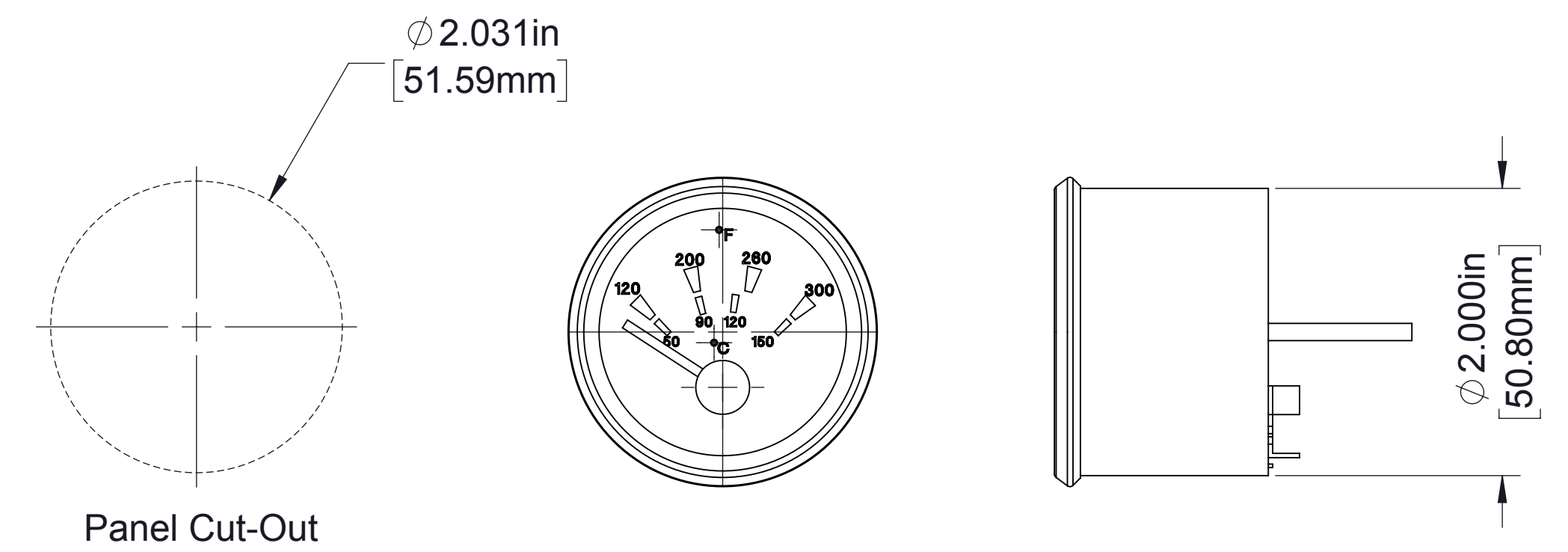
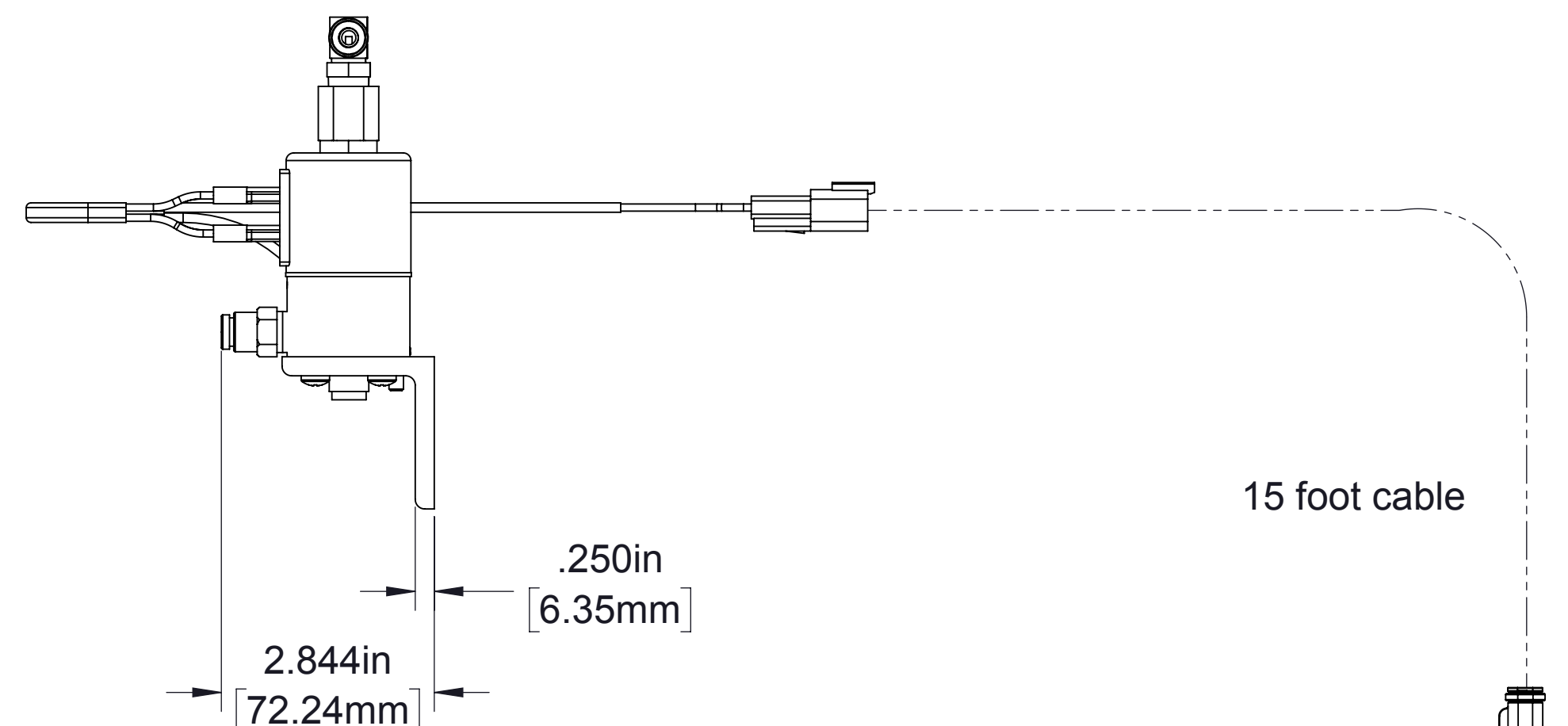
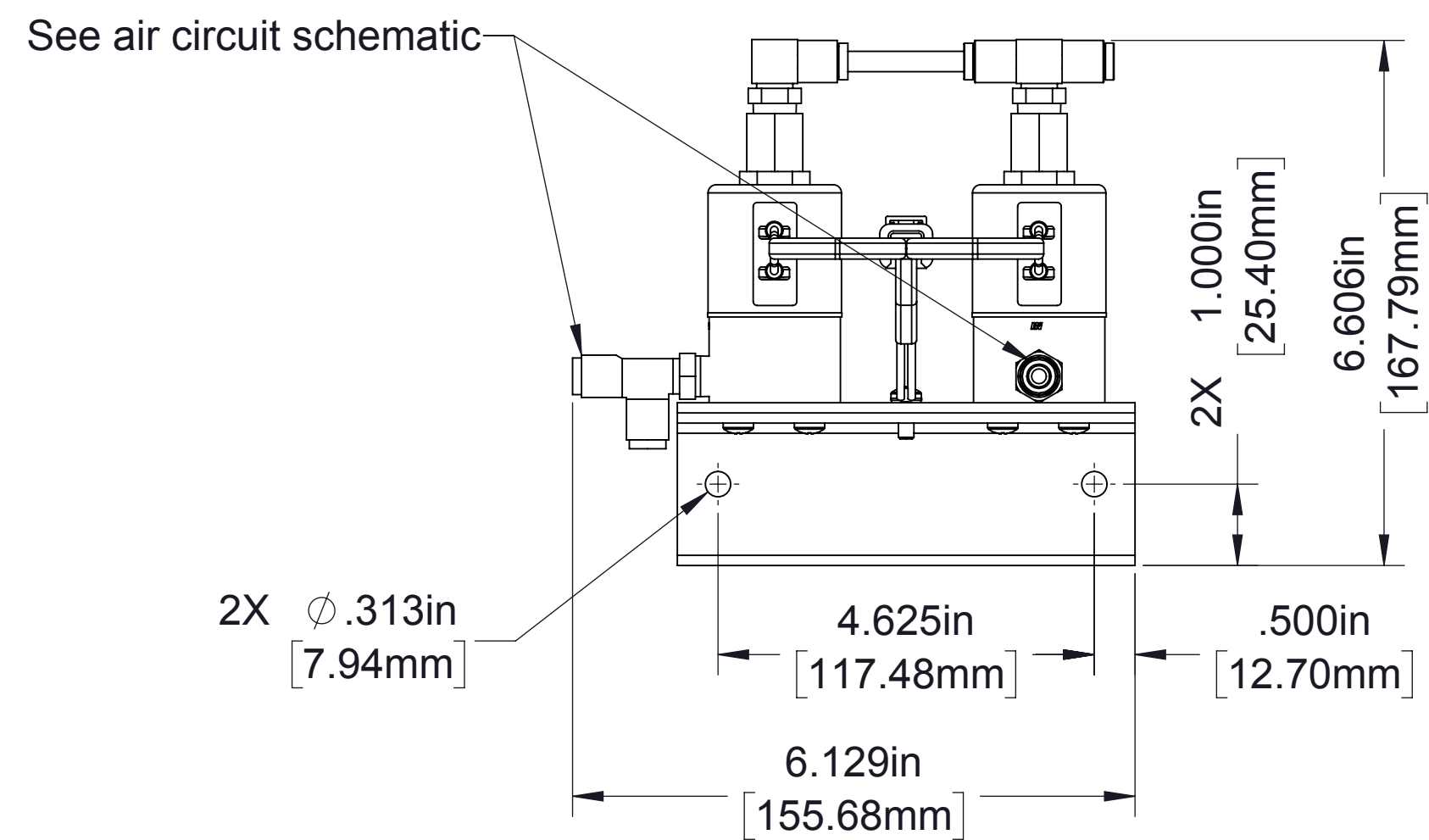


Air Filter



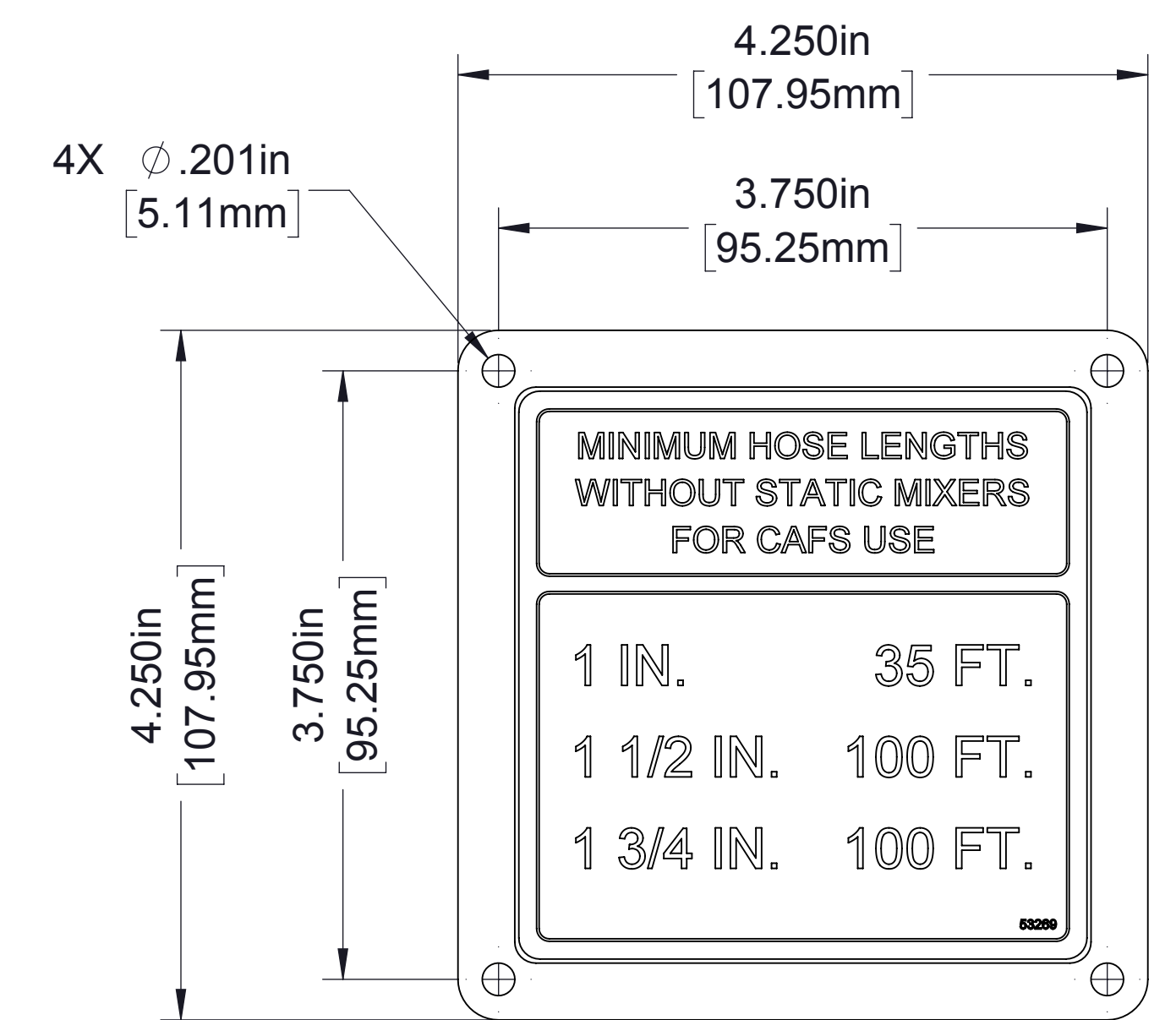
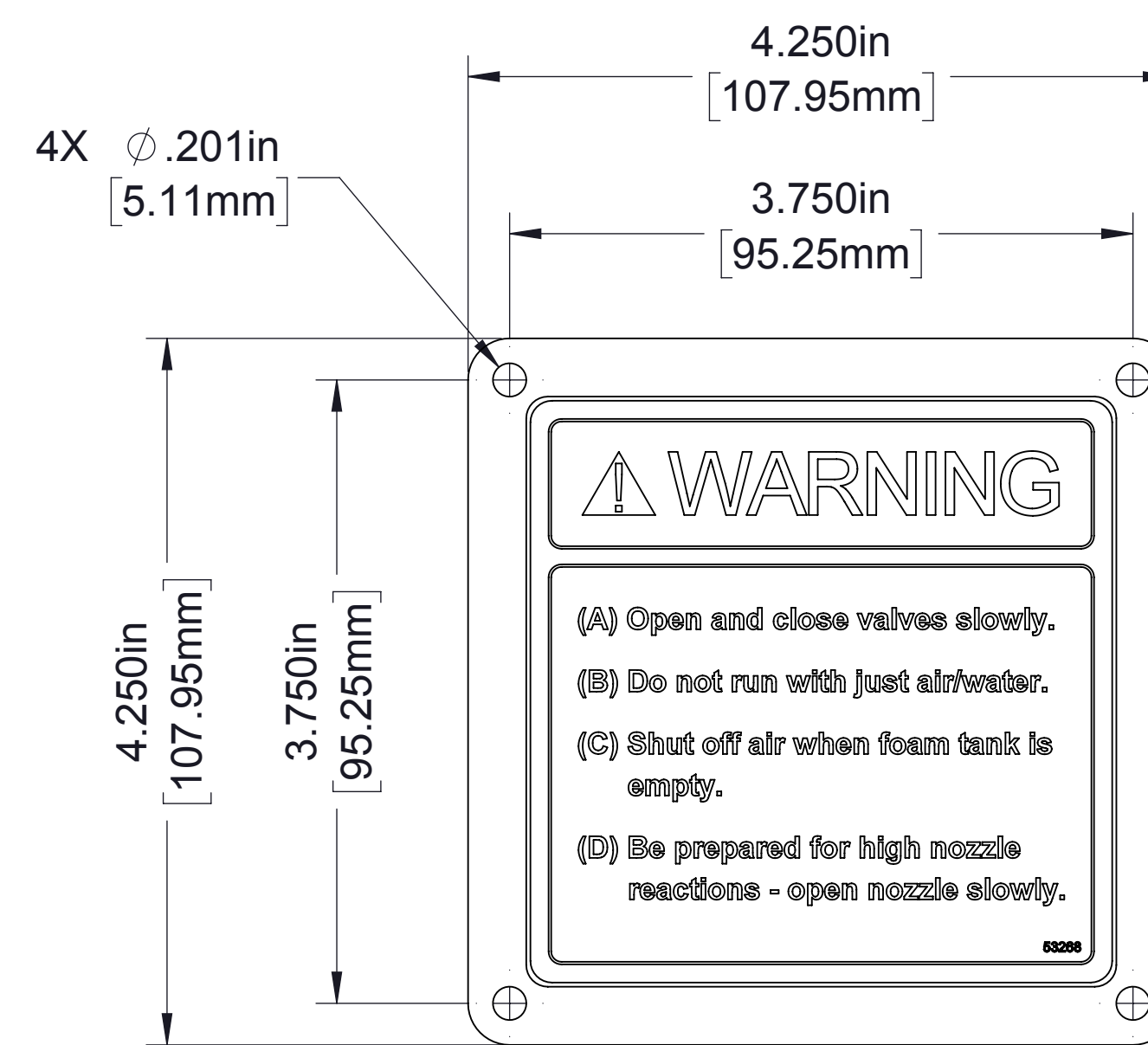
Separator Filter





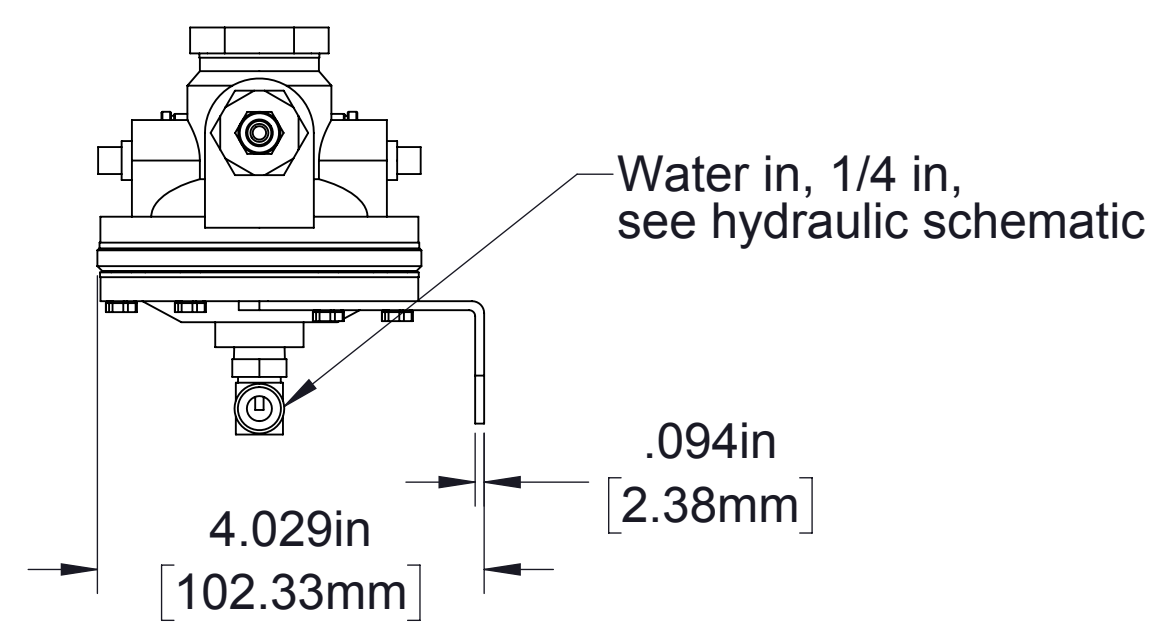
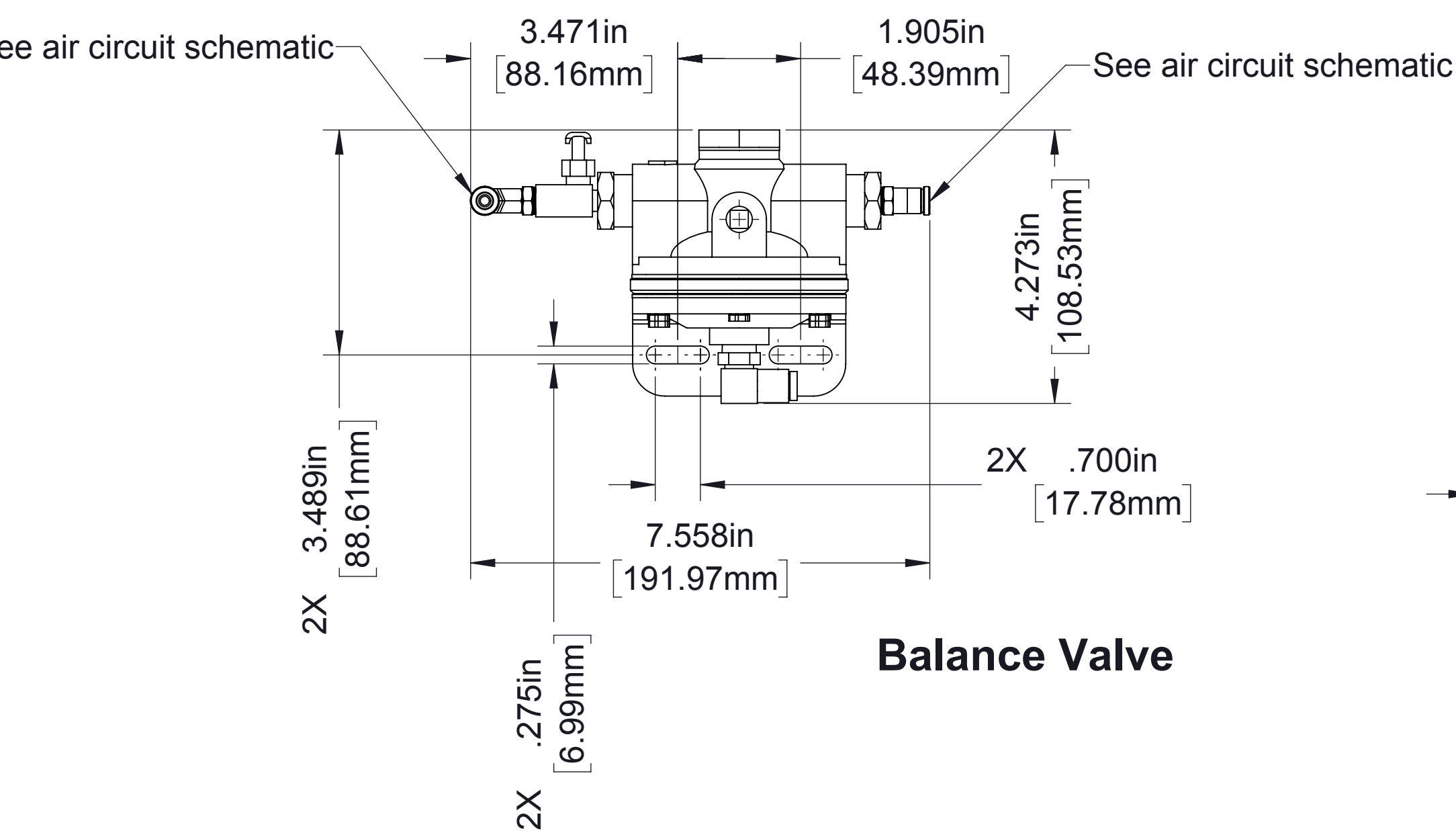
Oil Temperature Gauge
(Wiring to sump temperature sender not furnished by Waterous)

Auto-Sync

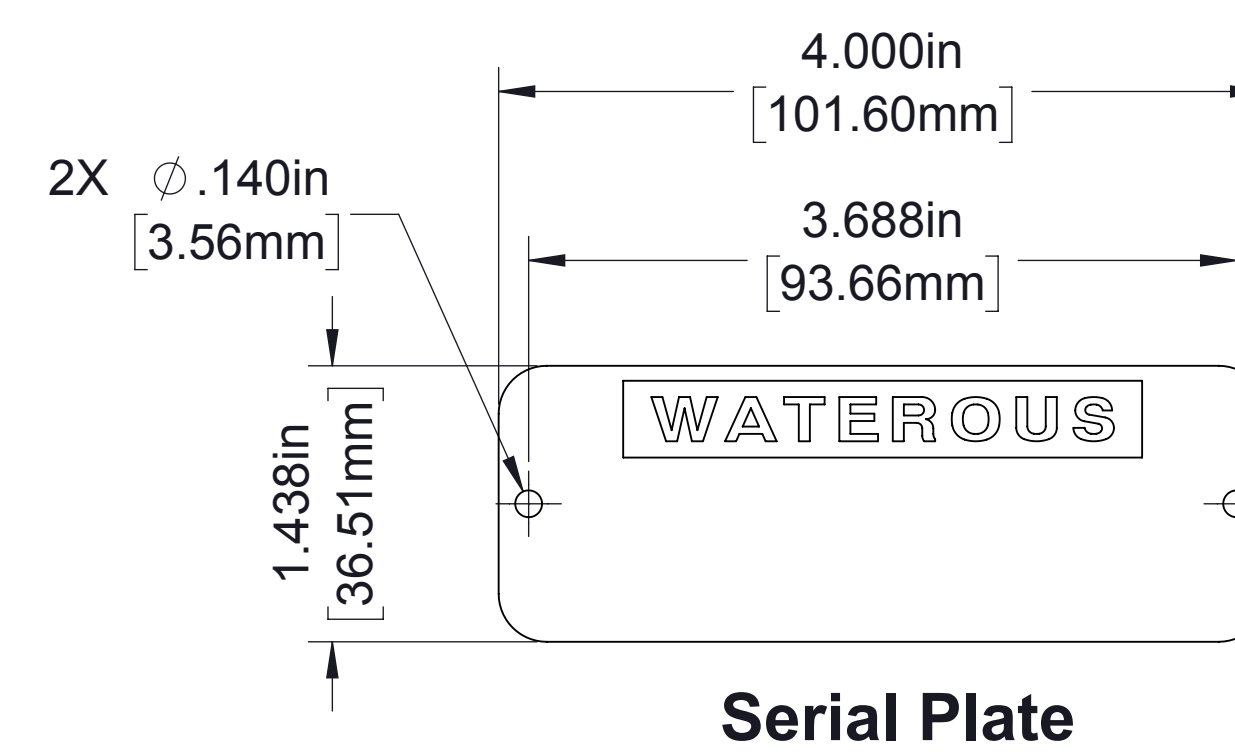


CAFS Warning

Hose Length



Balance Valve



Serial Plate

Panel Plates

Connects to CAFS compressor engine circuit, 12 or 24VDC

Oil out, #8 MJIC

Oil in, #8 MJIC

R.177in TYP
[4.50mm]

.118in TYP
[3mm]

.236in TYP
[6mm]

27.302in
[693.47mm]

2X .118in
[3mm]

2X .118in
[3mm]

2X 2.480in
[63mm]

2X 19.134in
[486mm]

20.118in
[511mm]

Oil filter, see table

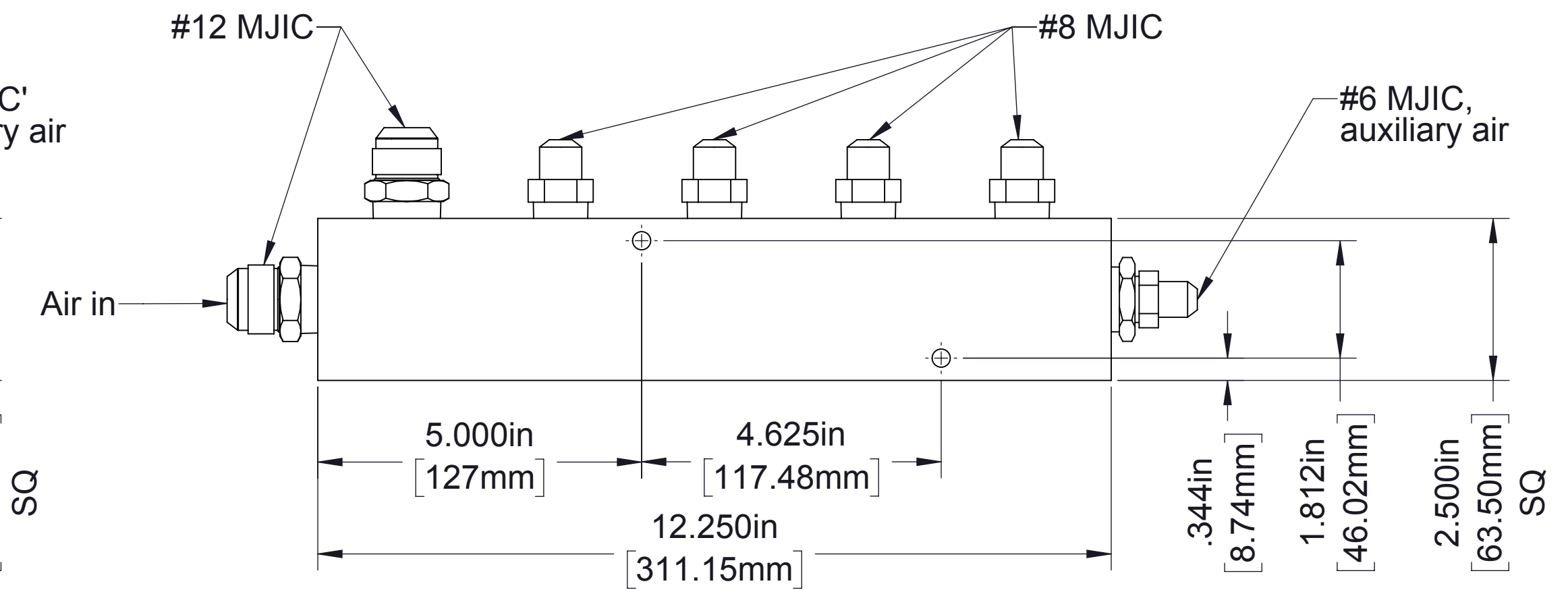
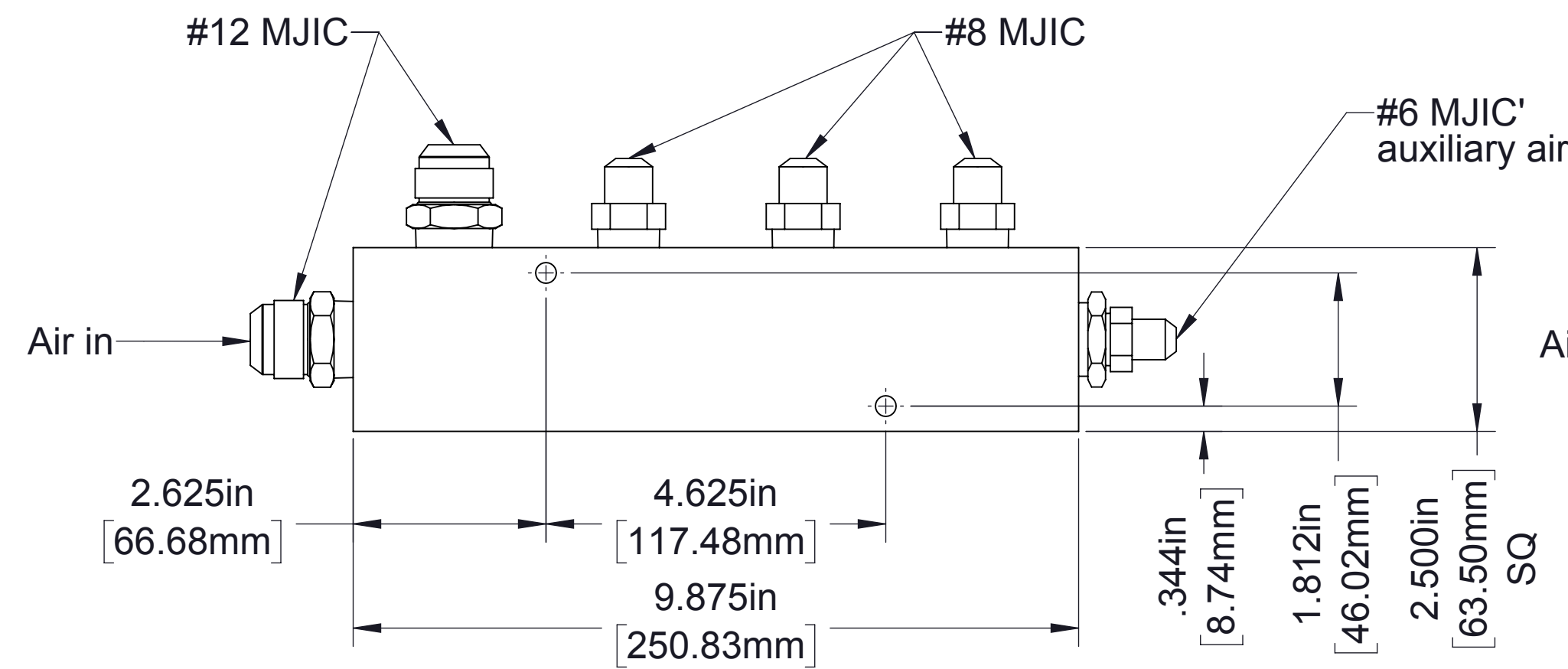
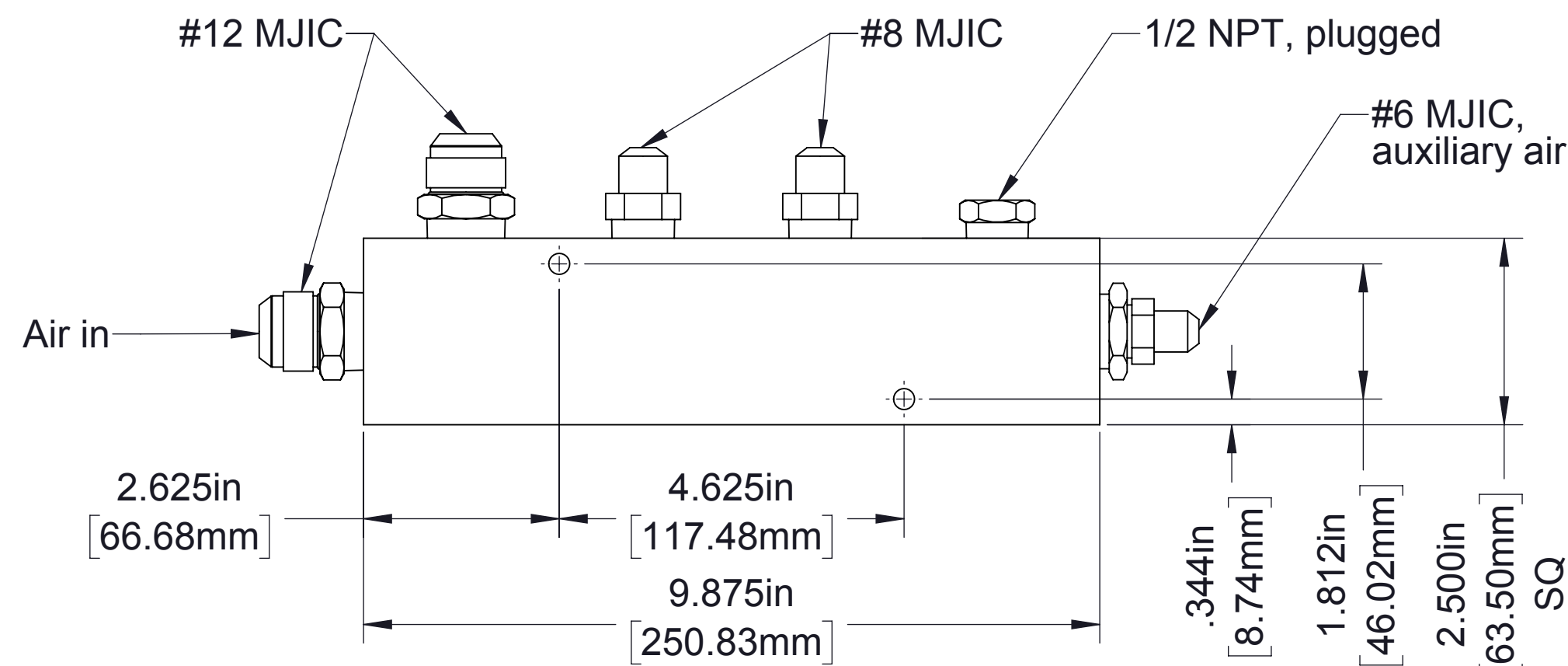
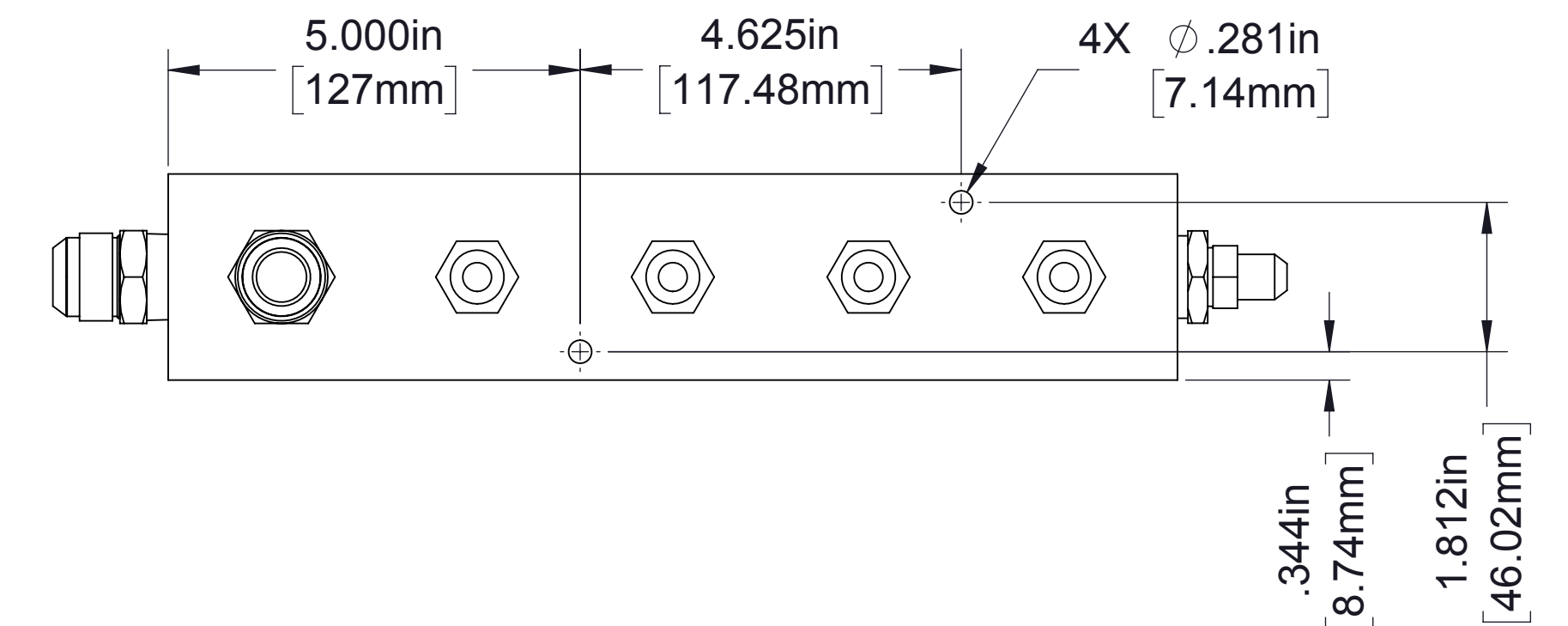
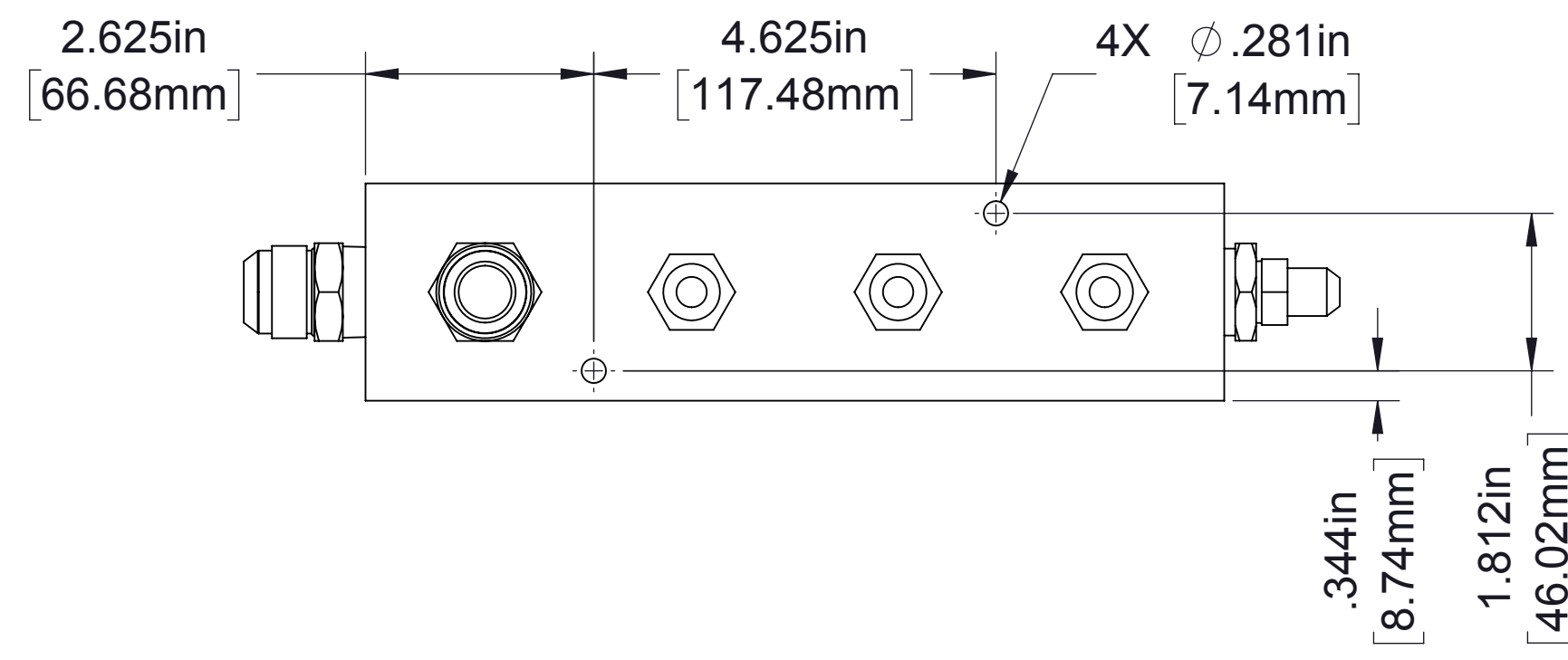
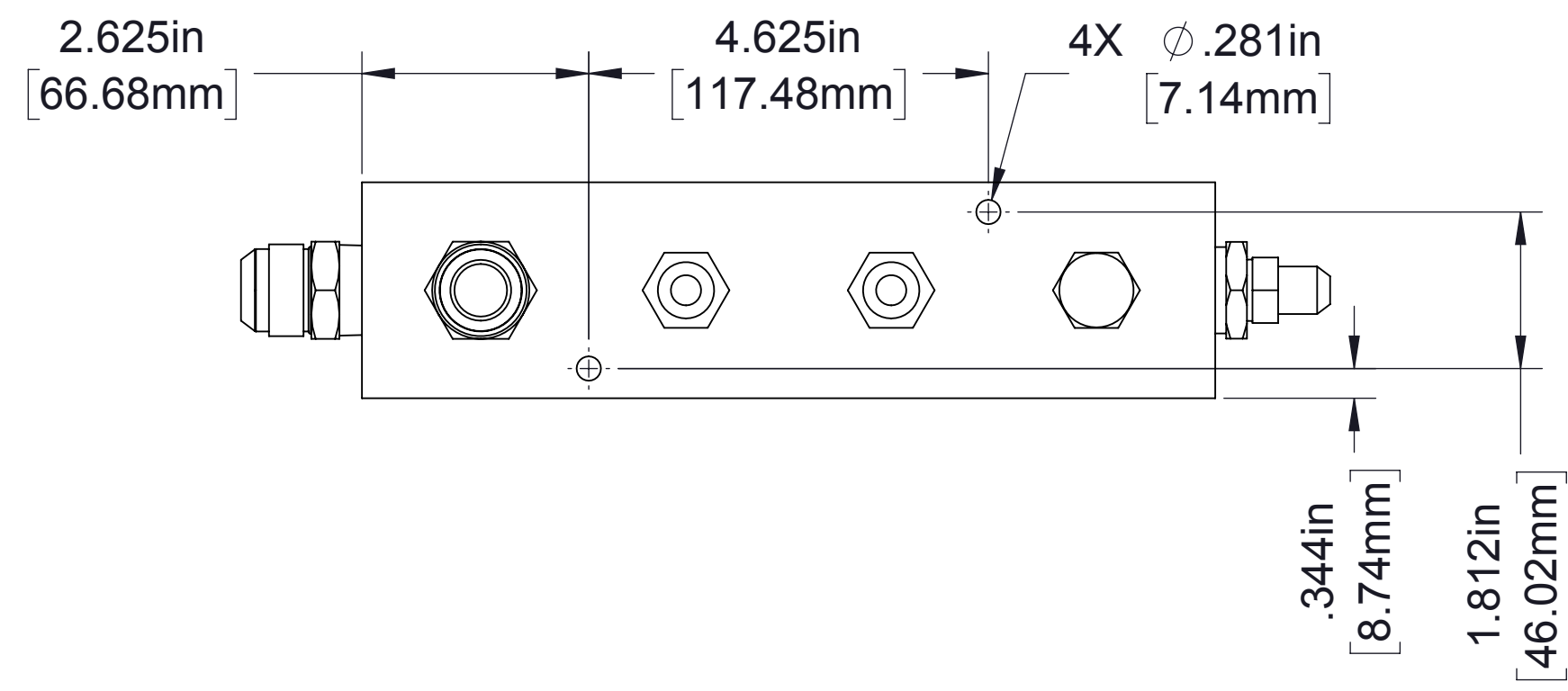
2X 15.750in
[400.05mm]

Viewed from back

**Optional Air Cooler
(Electric Fan)**

Available as follows:

Use	Oil Filter
As main cooler	Included
As secondary cooler	Not included (included with oil cooler, see page 4)

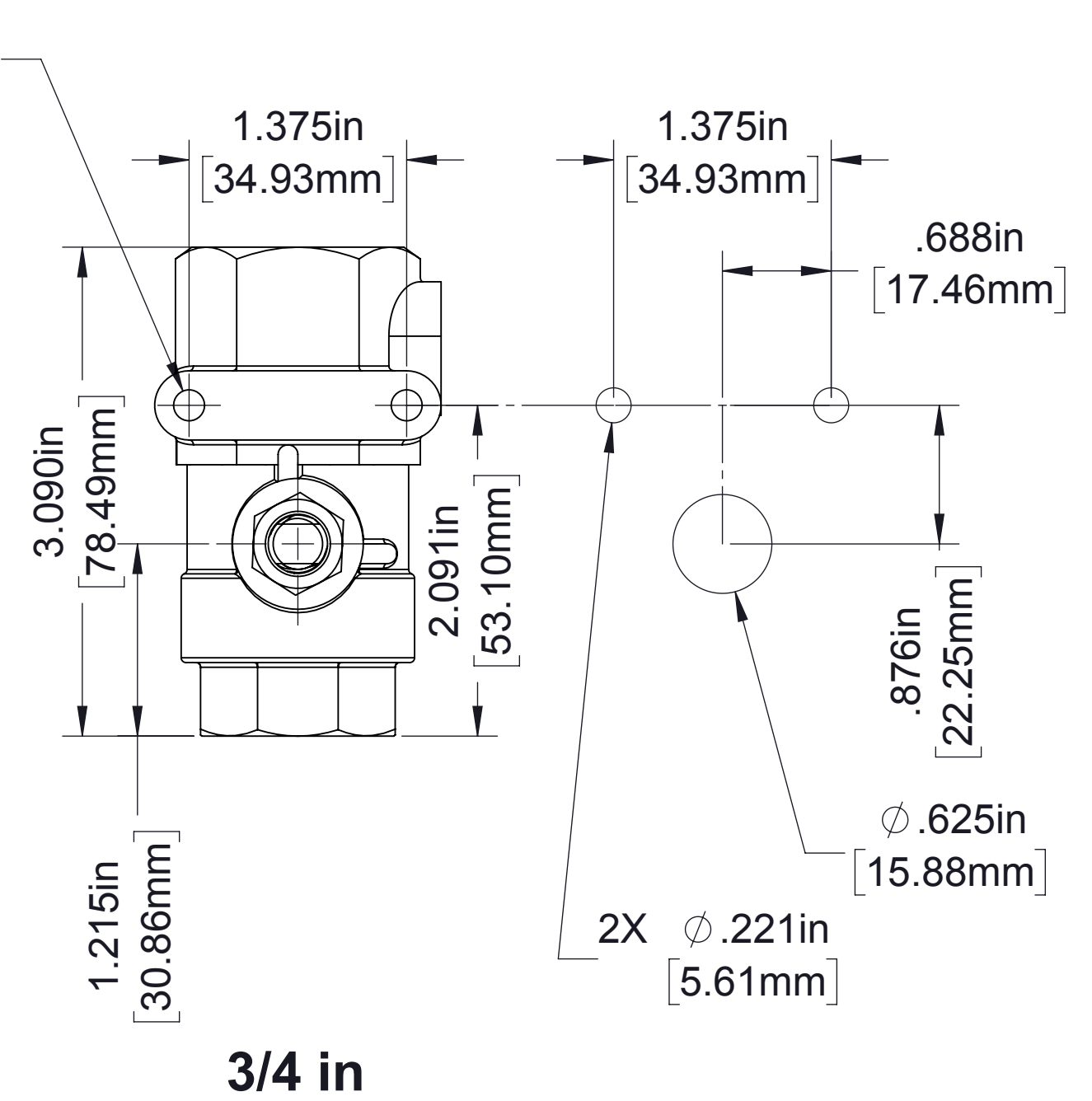
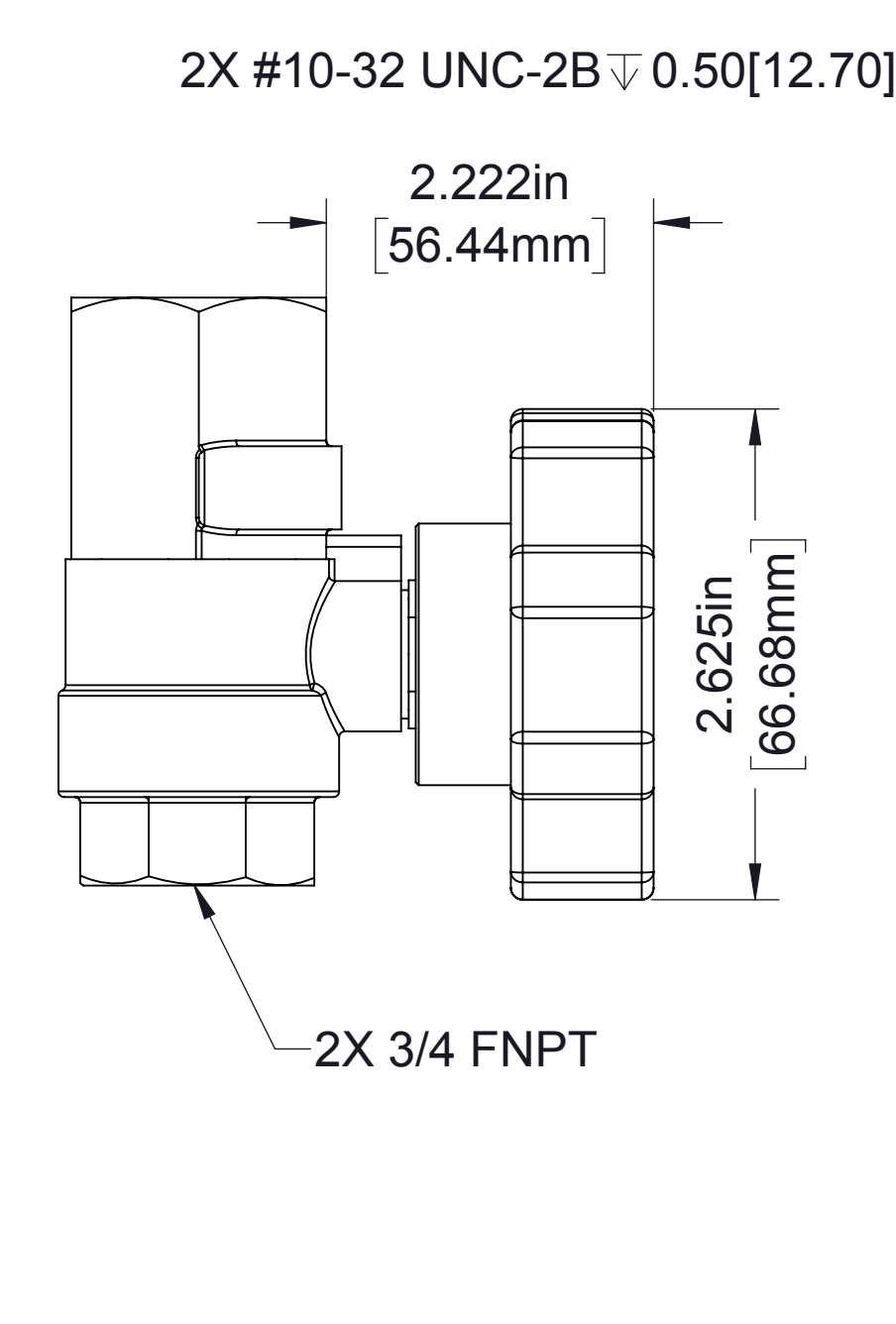
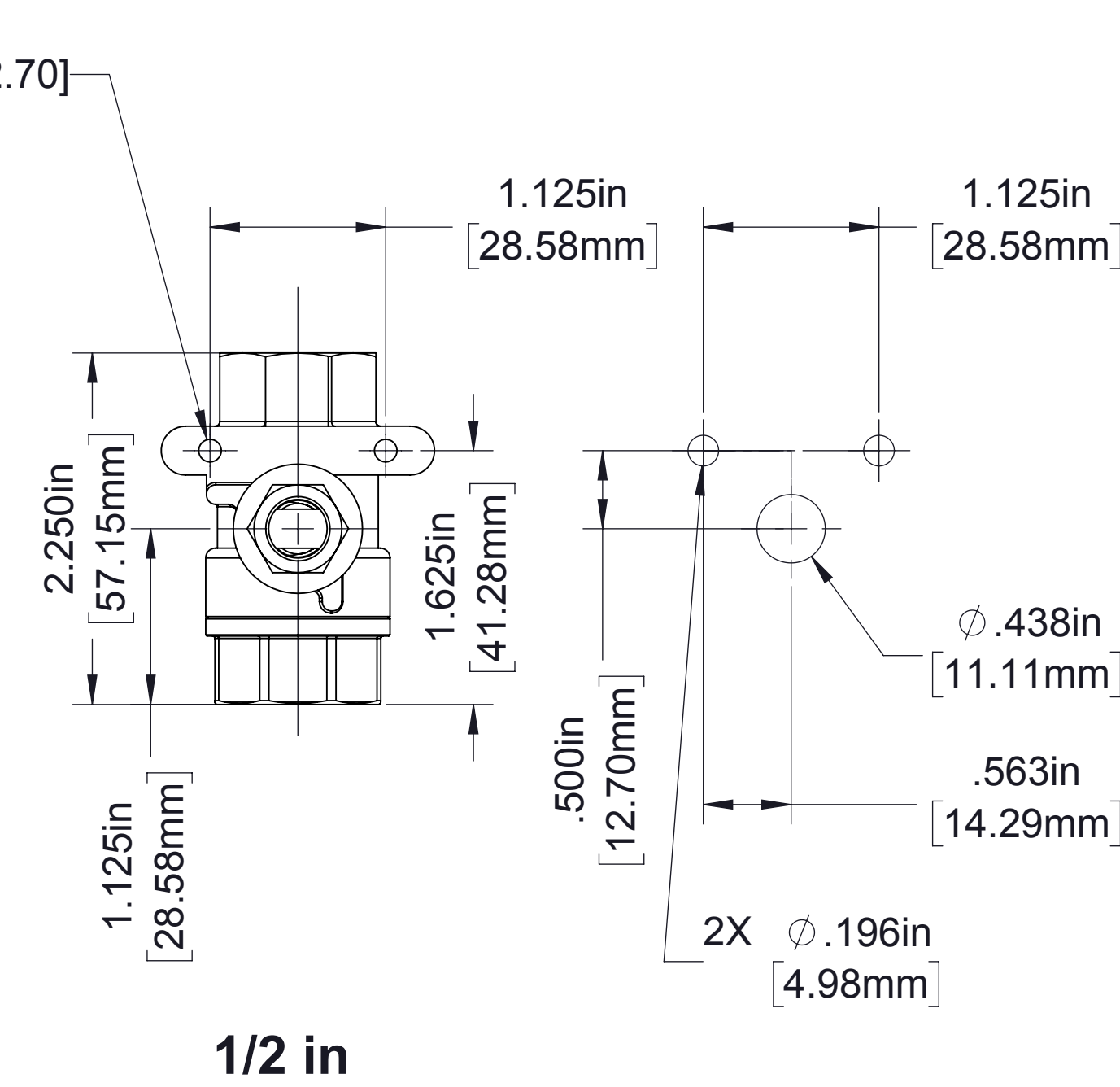
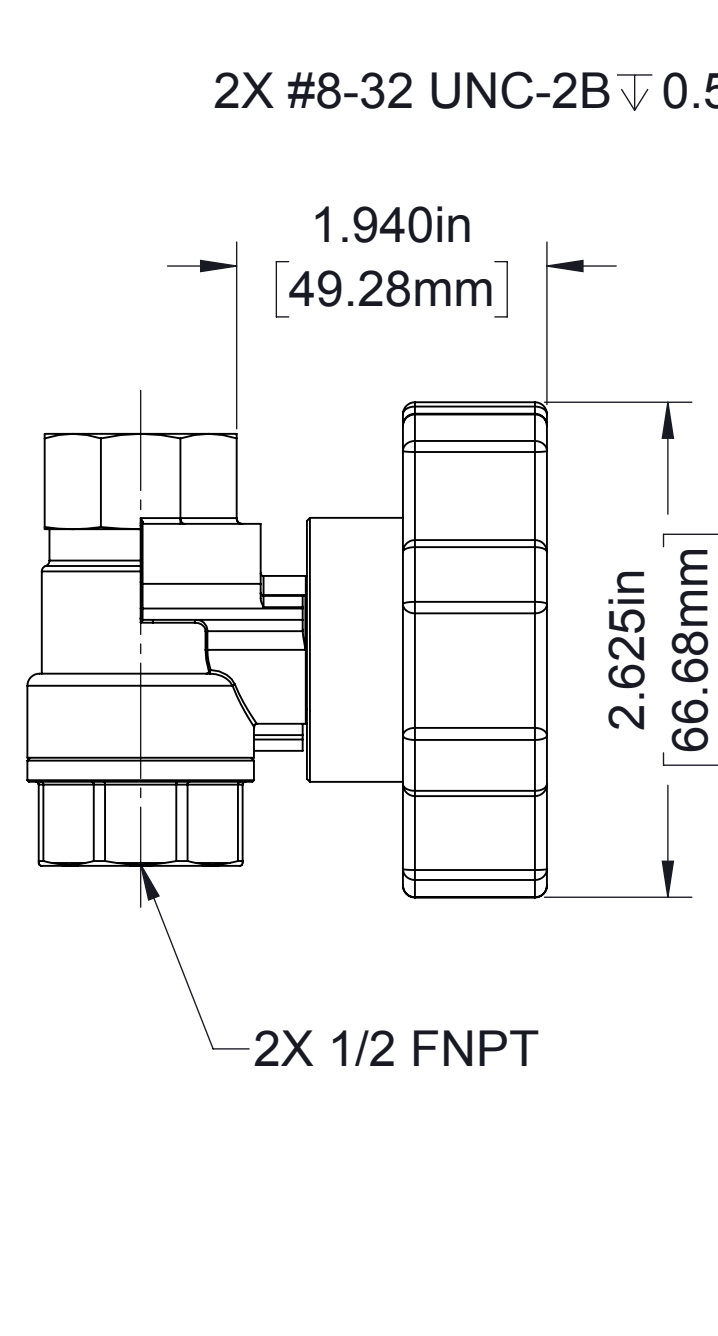
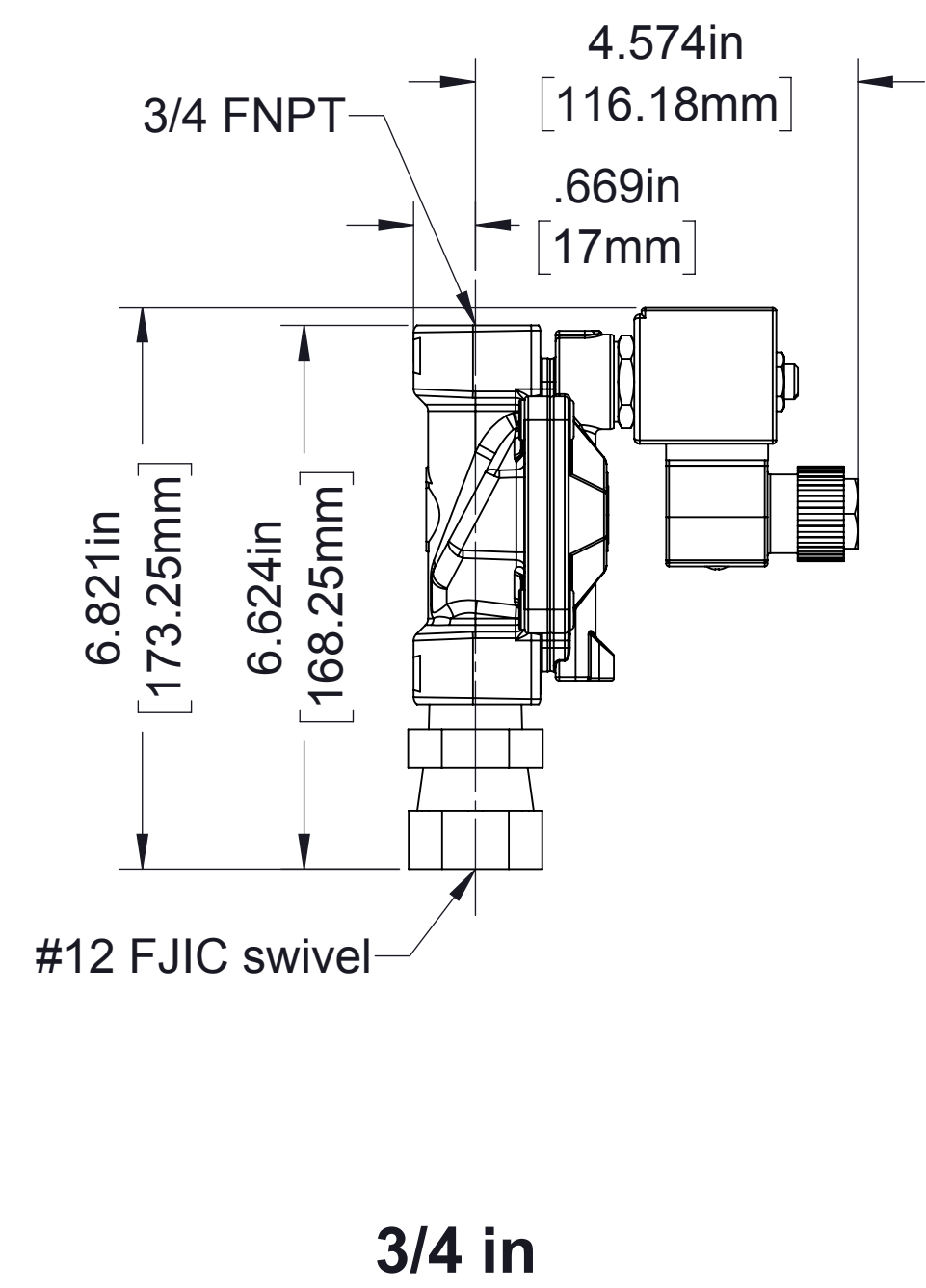
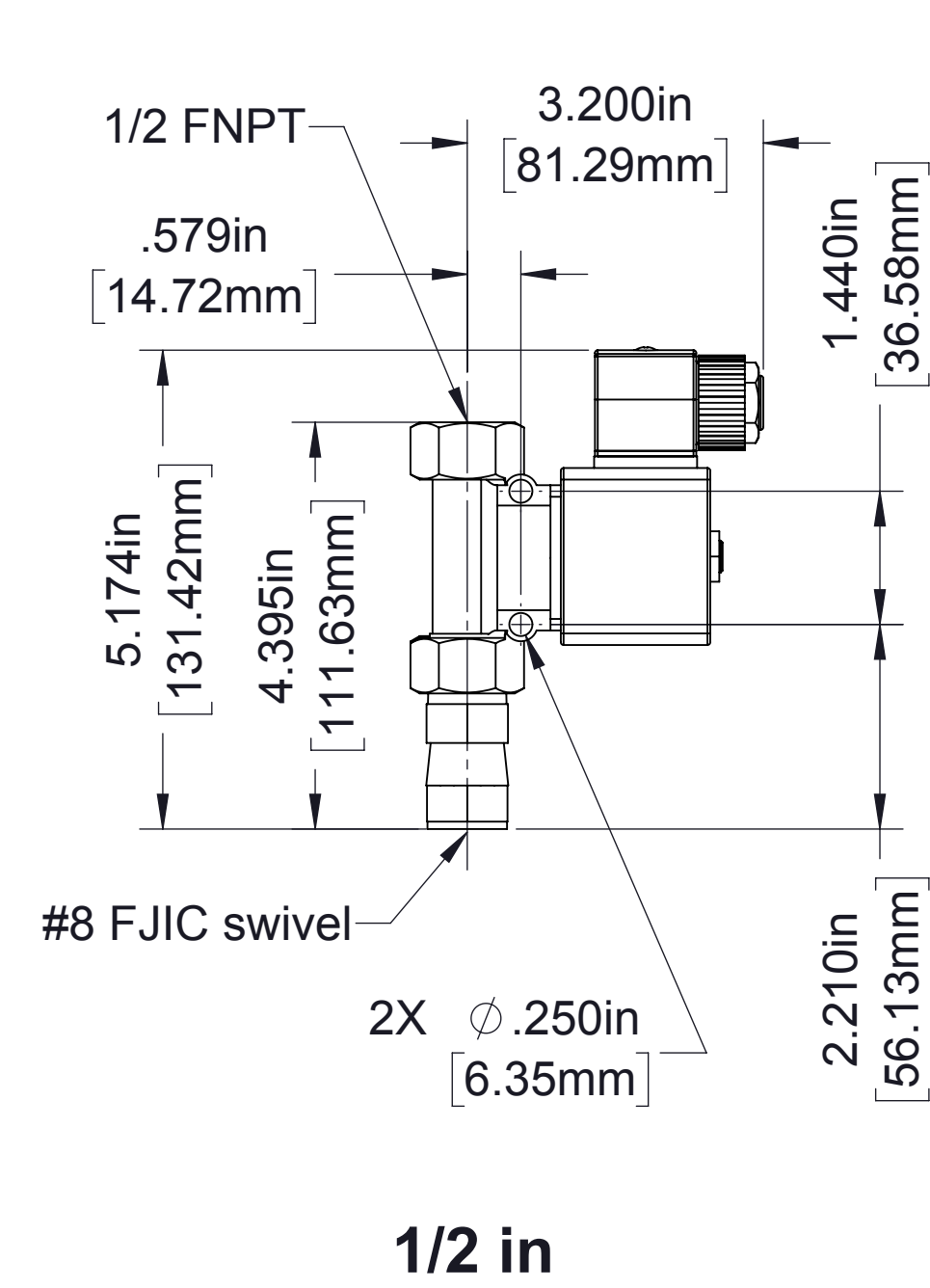


3 Port Manifold,
order part number 83360-1A

4 Port Manifold,
order part number 83360-1B

5 Port Manifold,
order part number 83360-1C

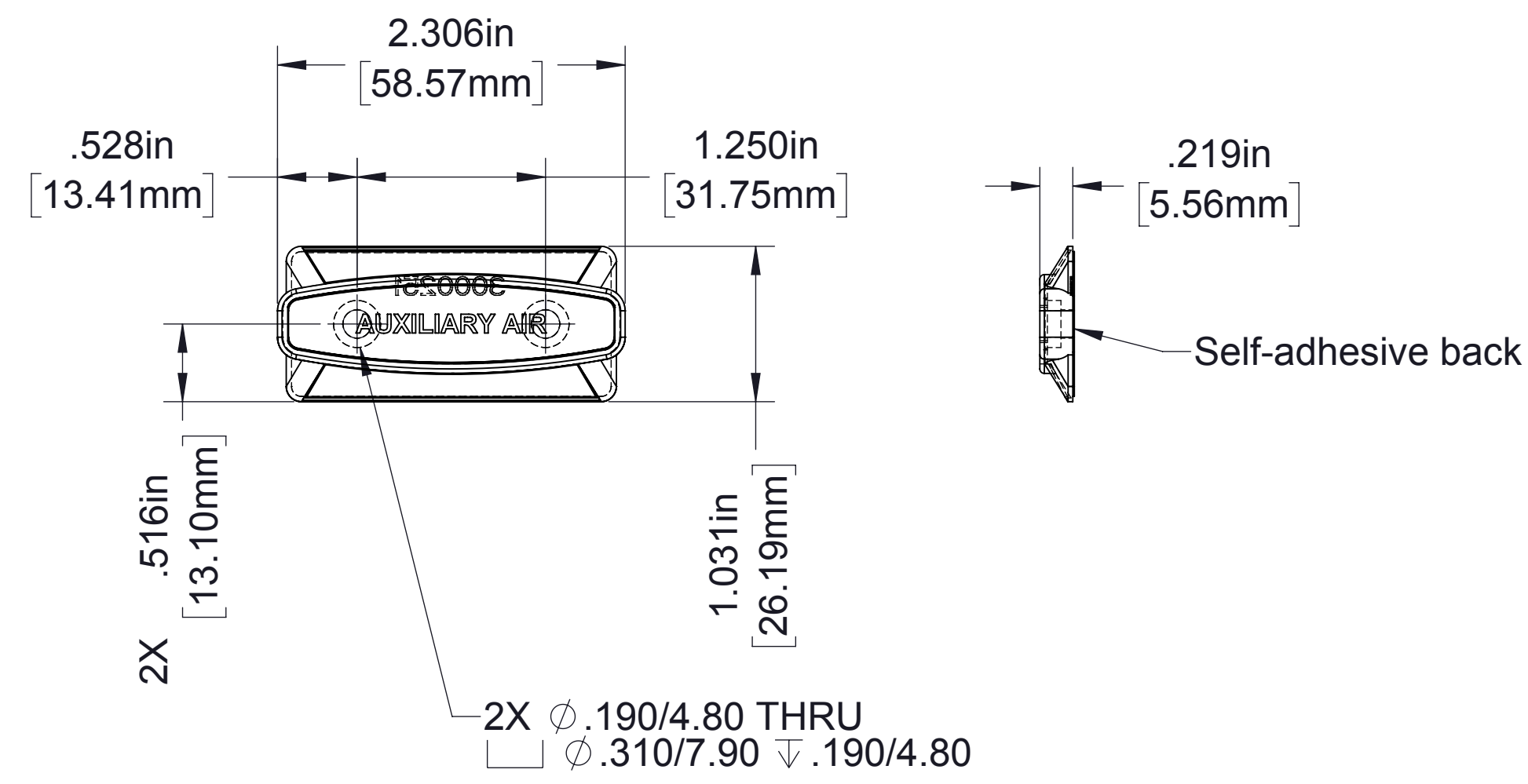
Optional Air Distribution Manifolds



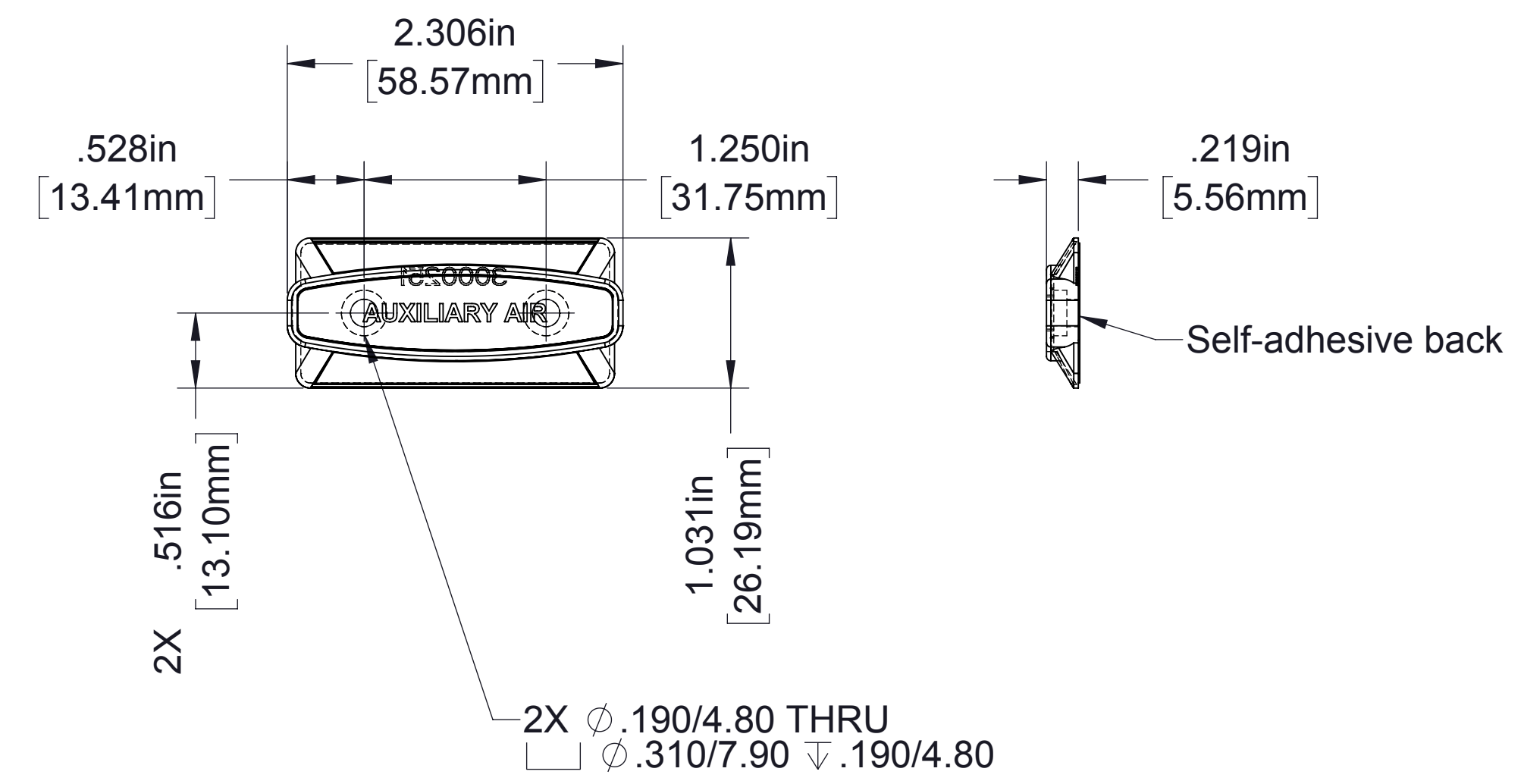
Electric Valves

Manual Valves

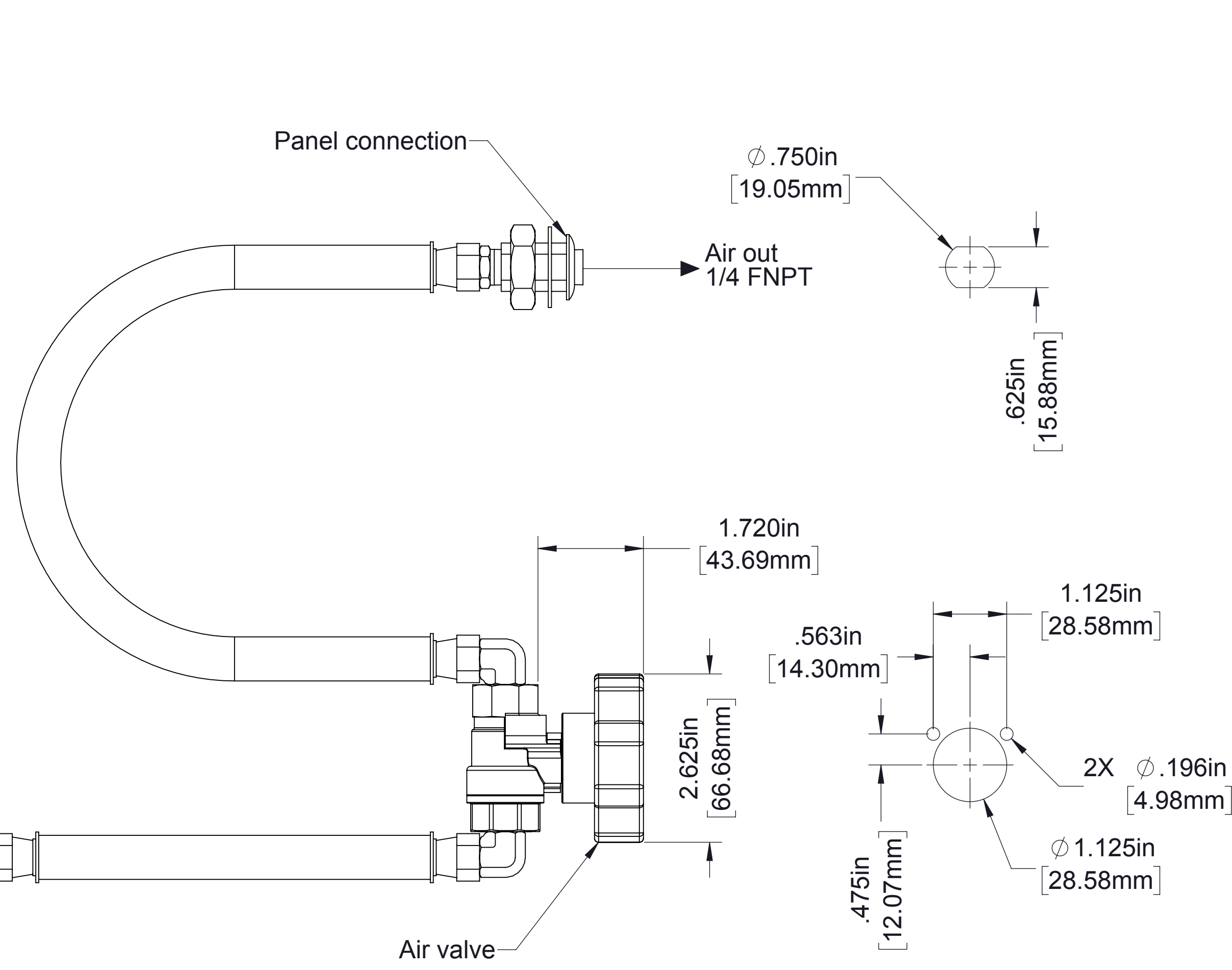
Optional Air Valves



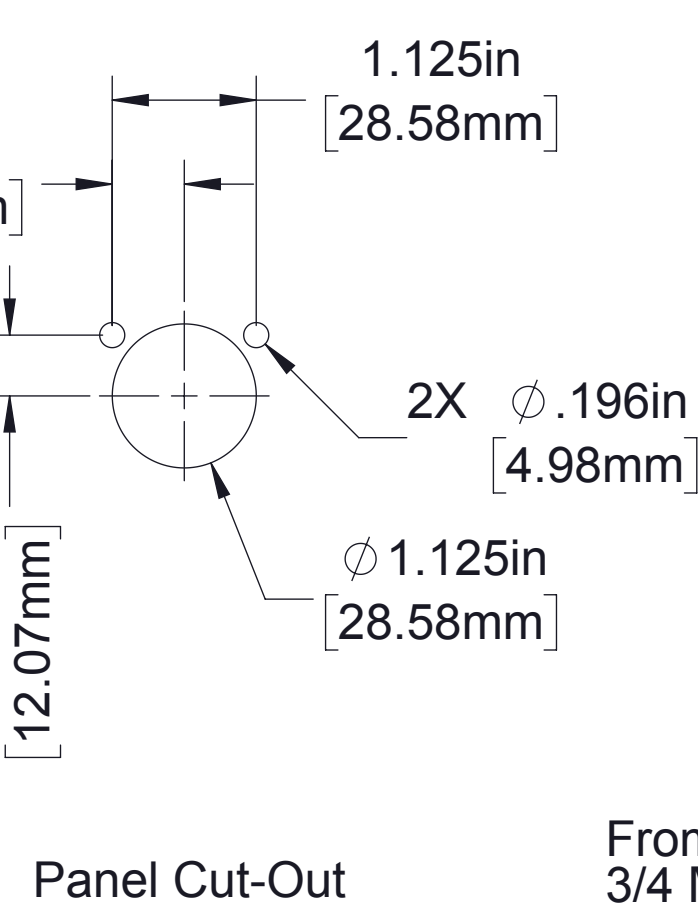
Label



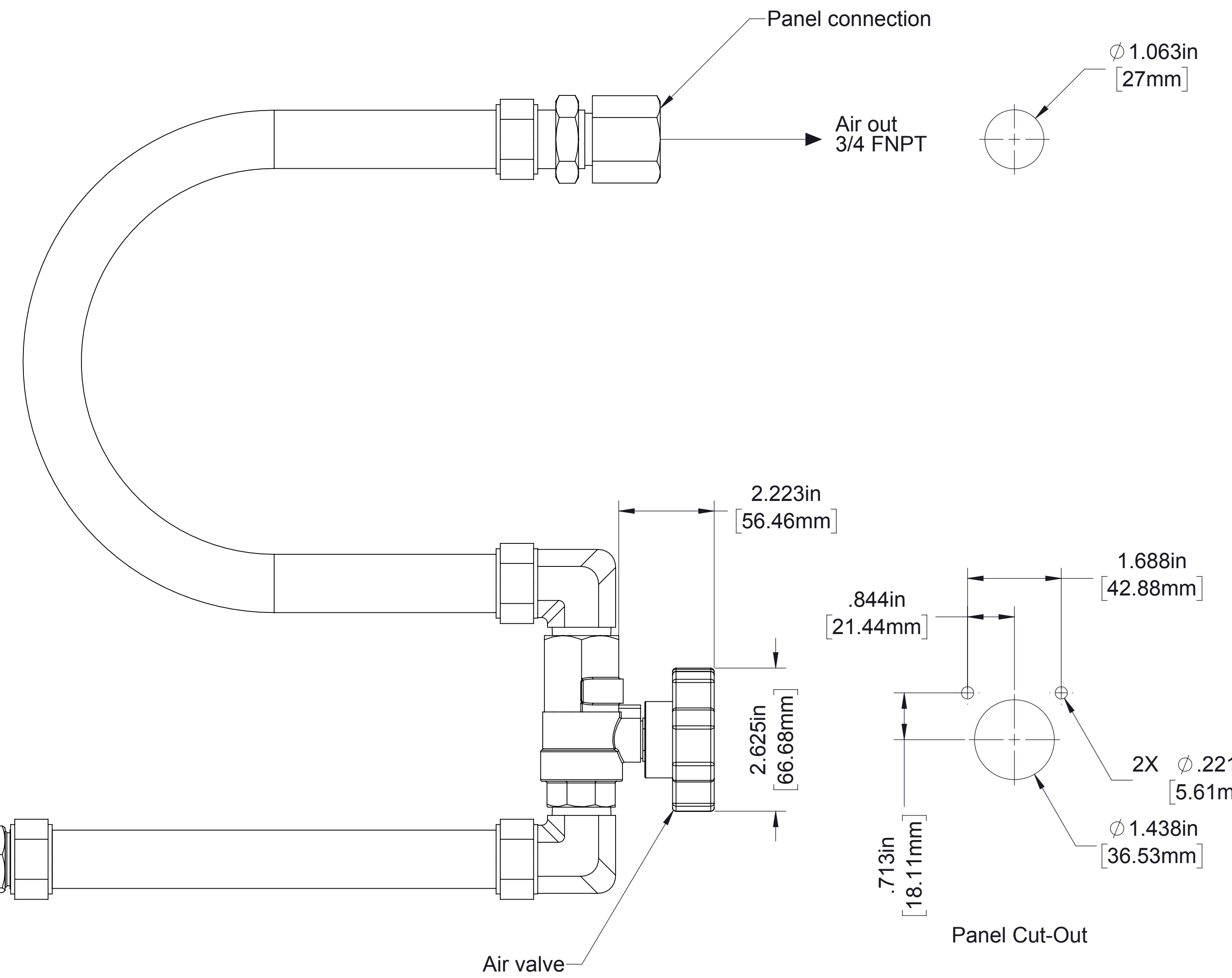
Label



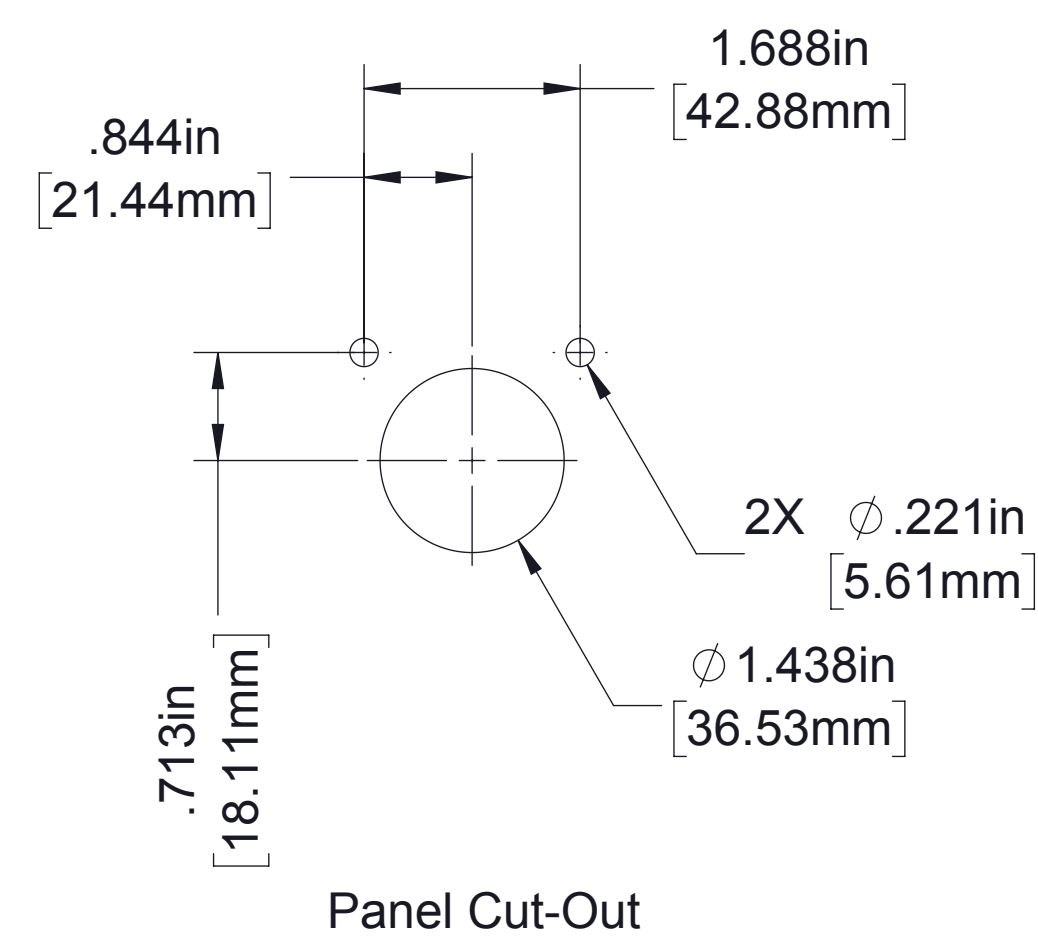
1/4 FNPT Connection
(Hoses and fittings furnished),
order part number 83360-3A



Panel Cut-Out

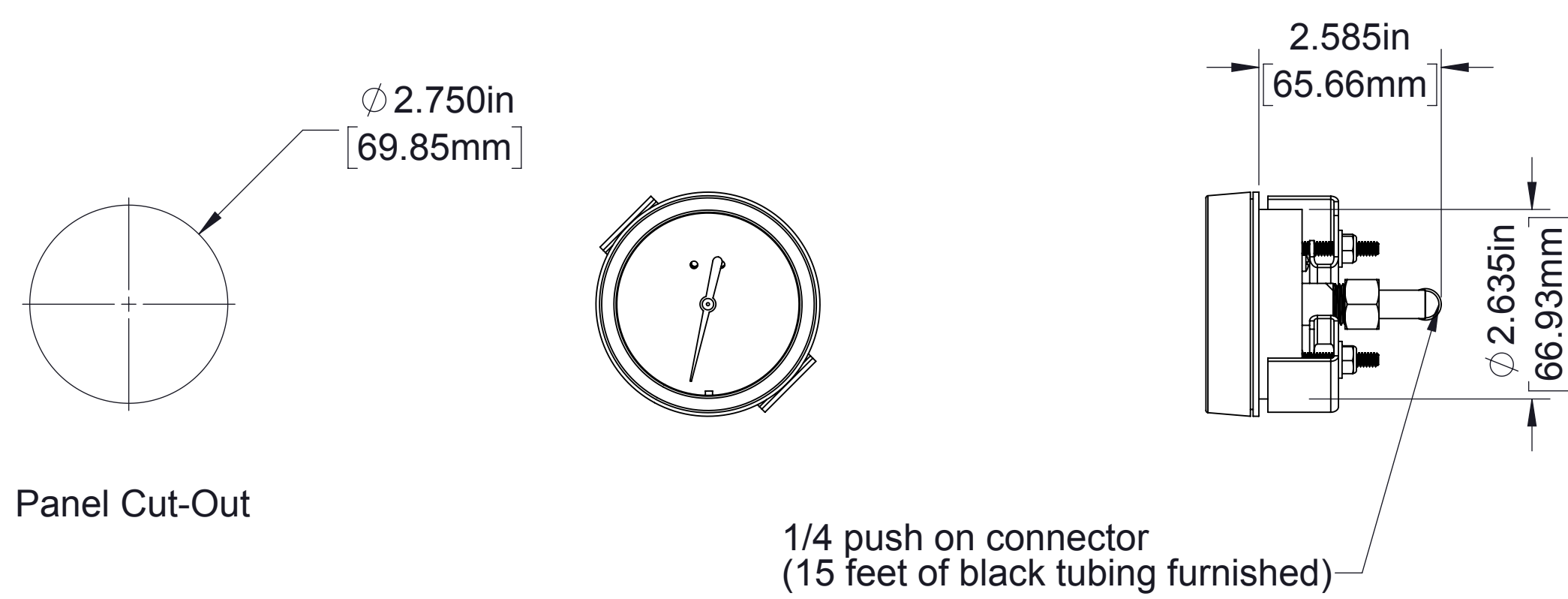


3/4 FNPT Connection
(Hoses and fittings furnished),
order part number 83360-3B

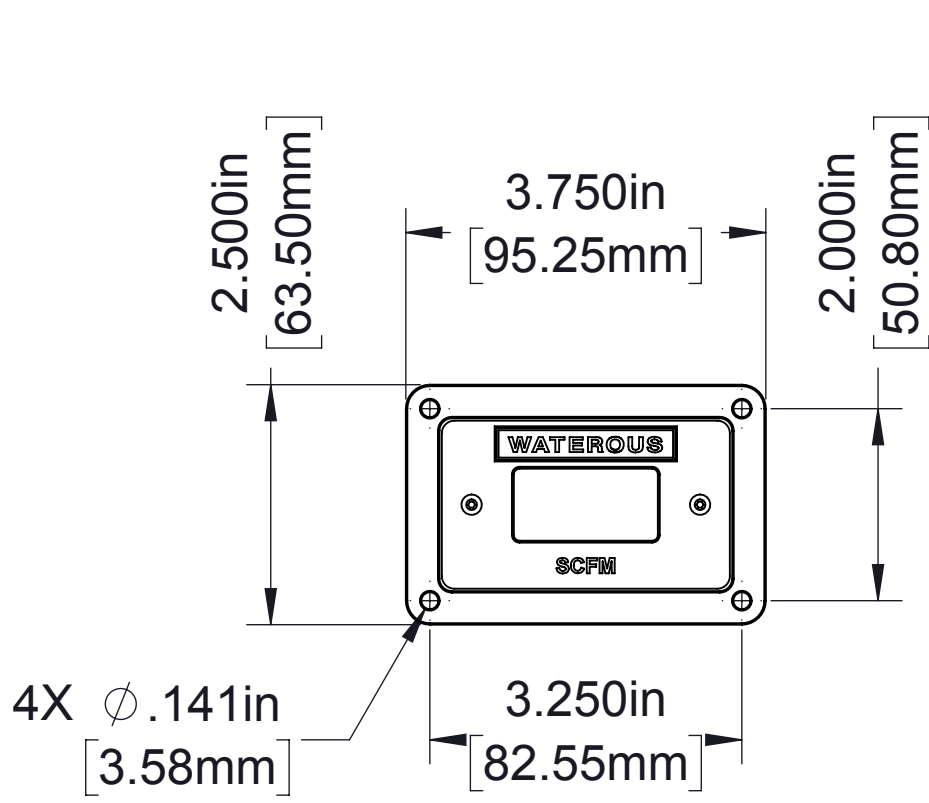
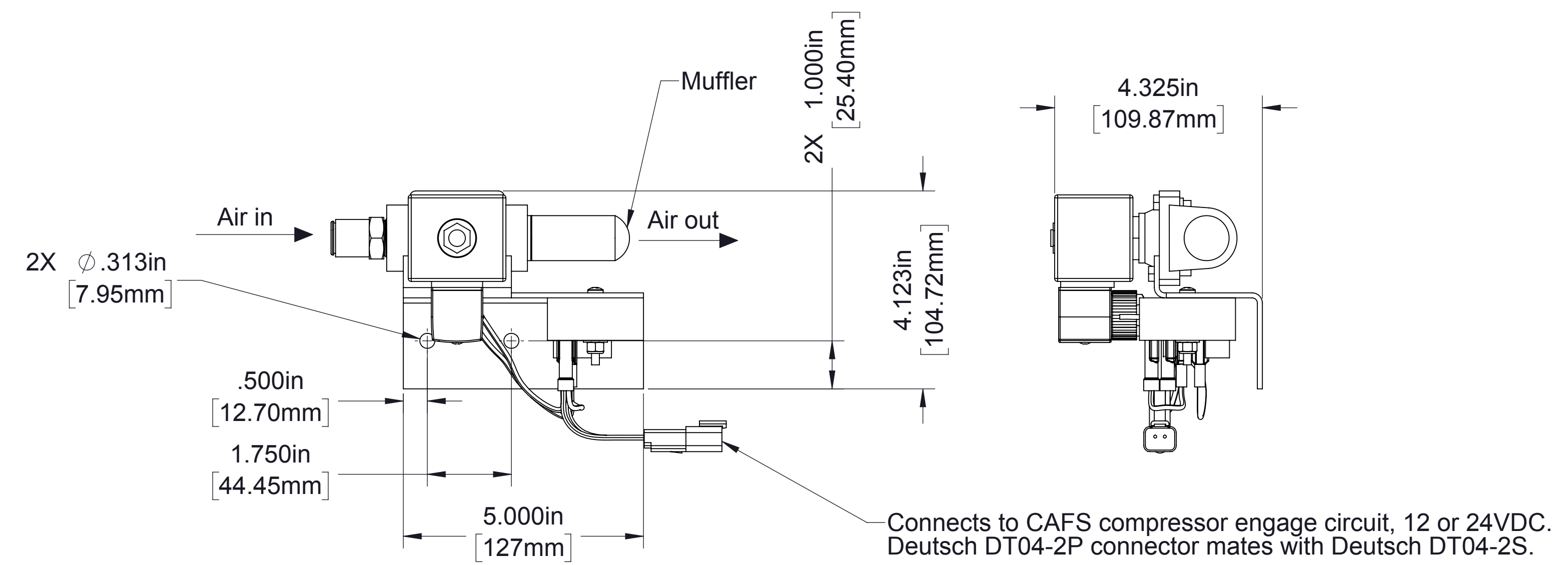


Panel Cut-Out

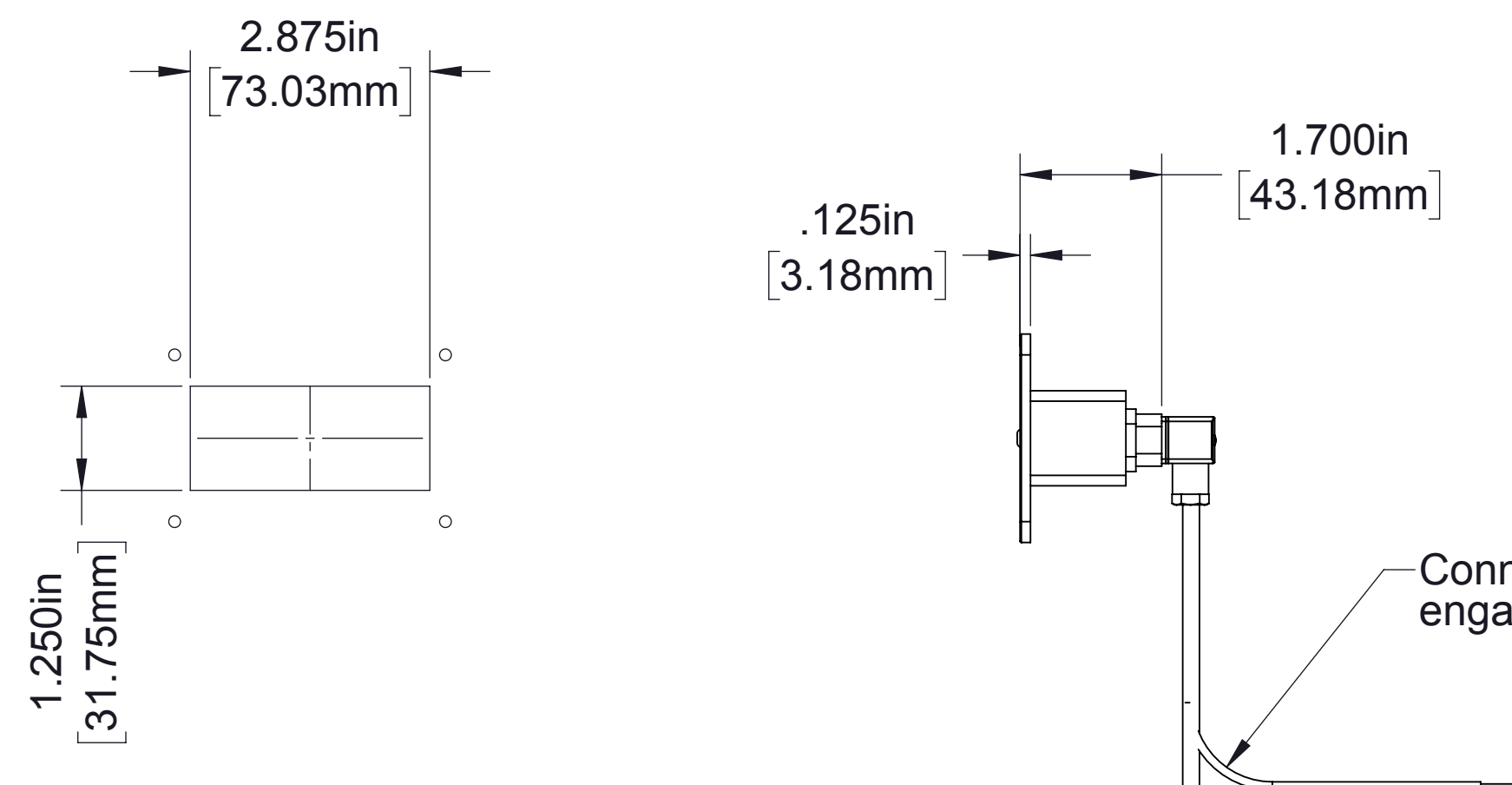
Optional Auxiliary Air Connection



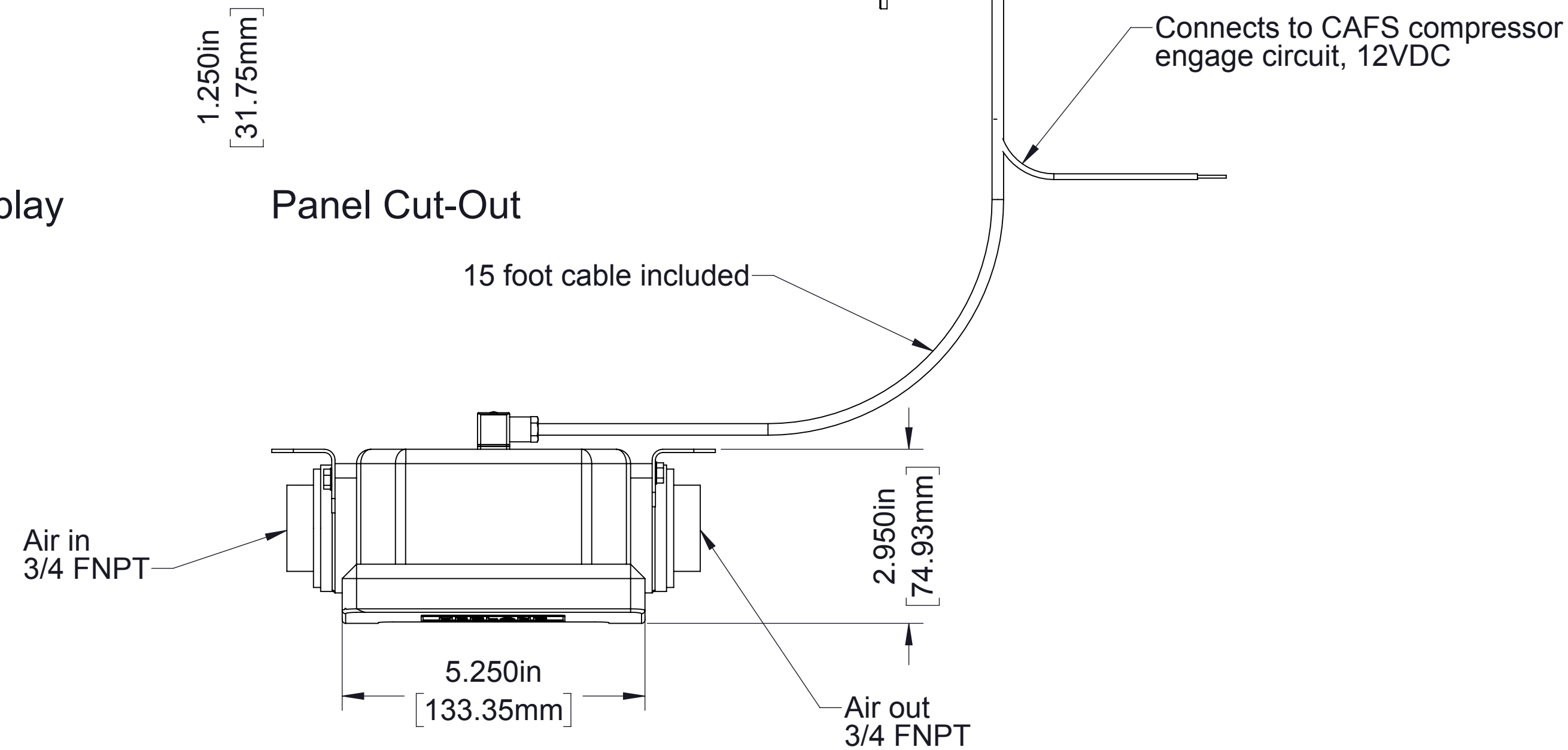
Optional Air Pressure Gauge
Single Mpa scale order part number 83417-1A
Dual PSI/Kpa scale order part number 83417-1B



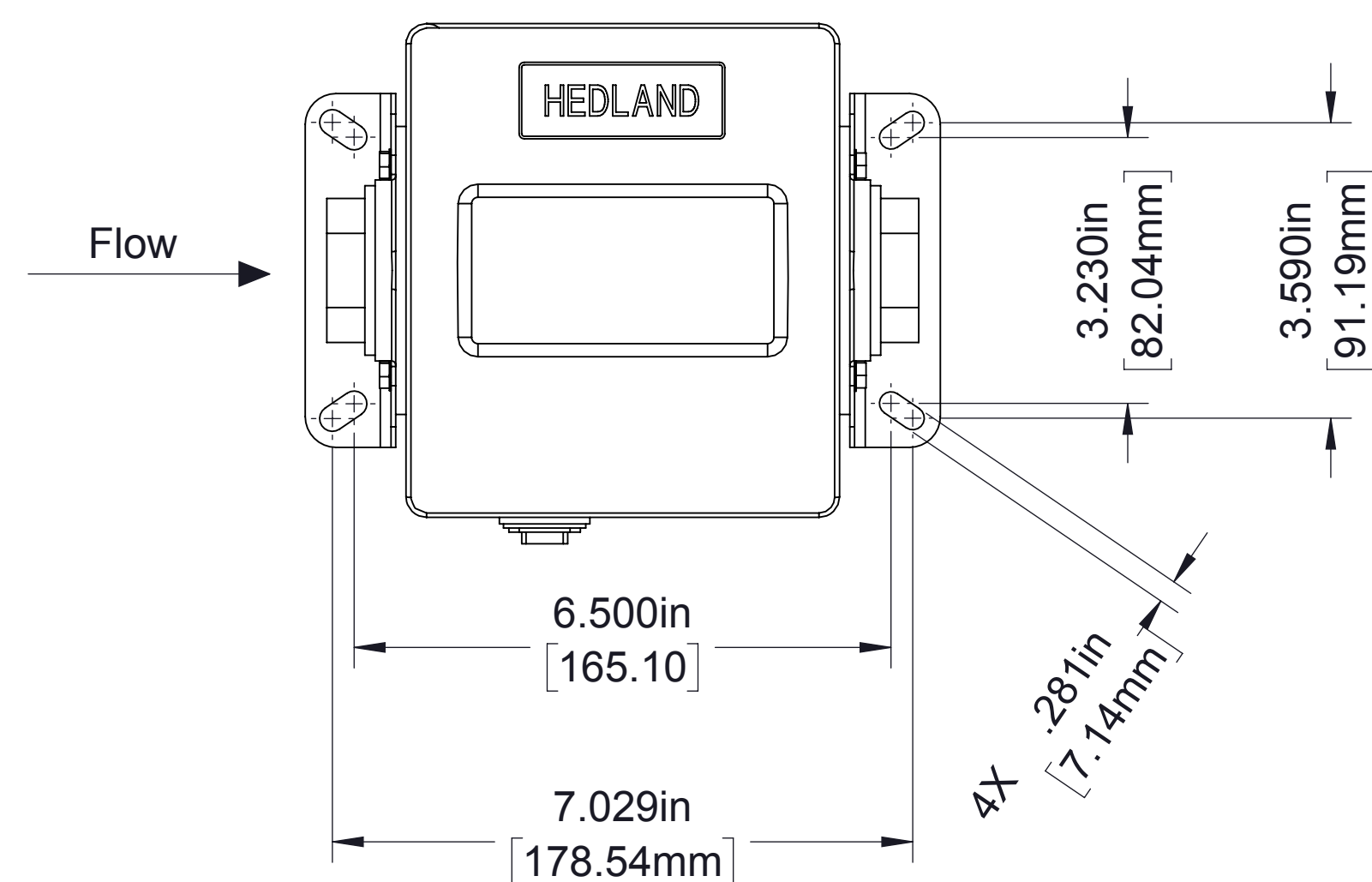
Air Flow Digital Display



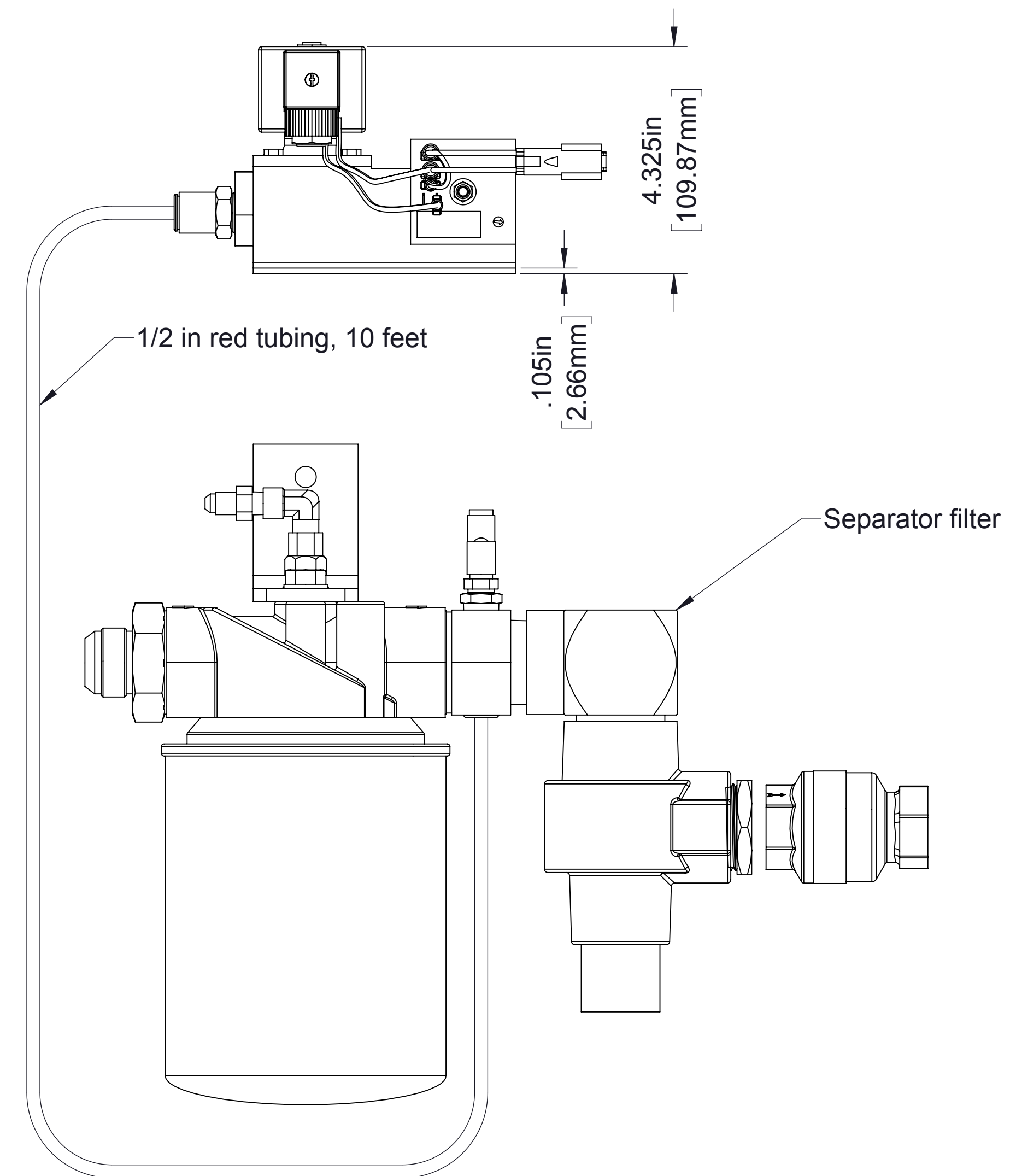
Panel Cut-Out



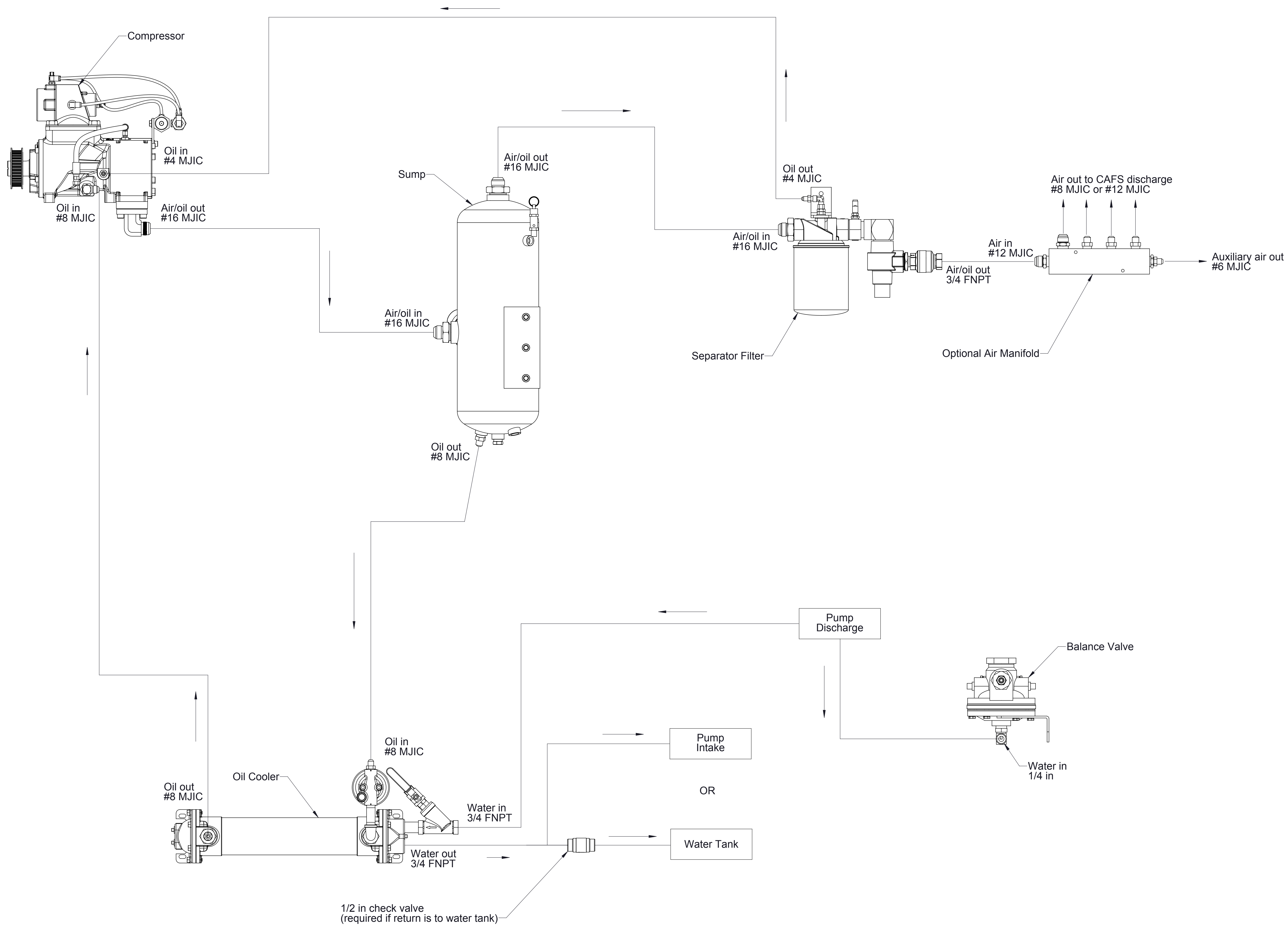
Air Flow Meter



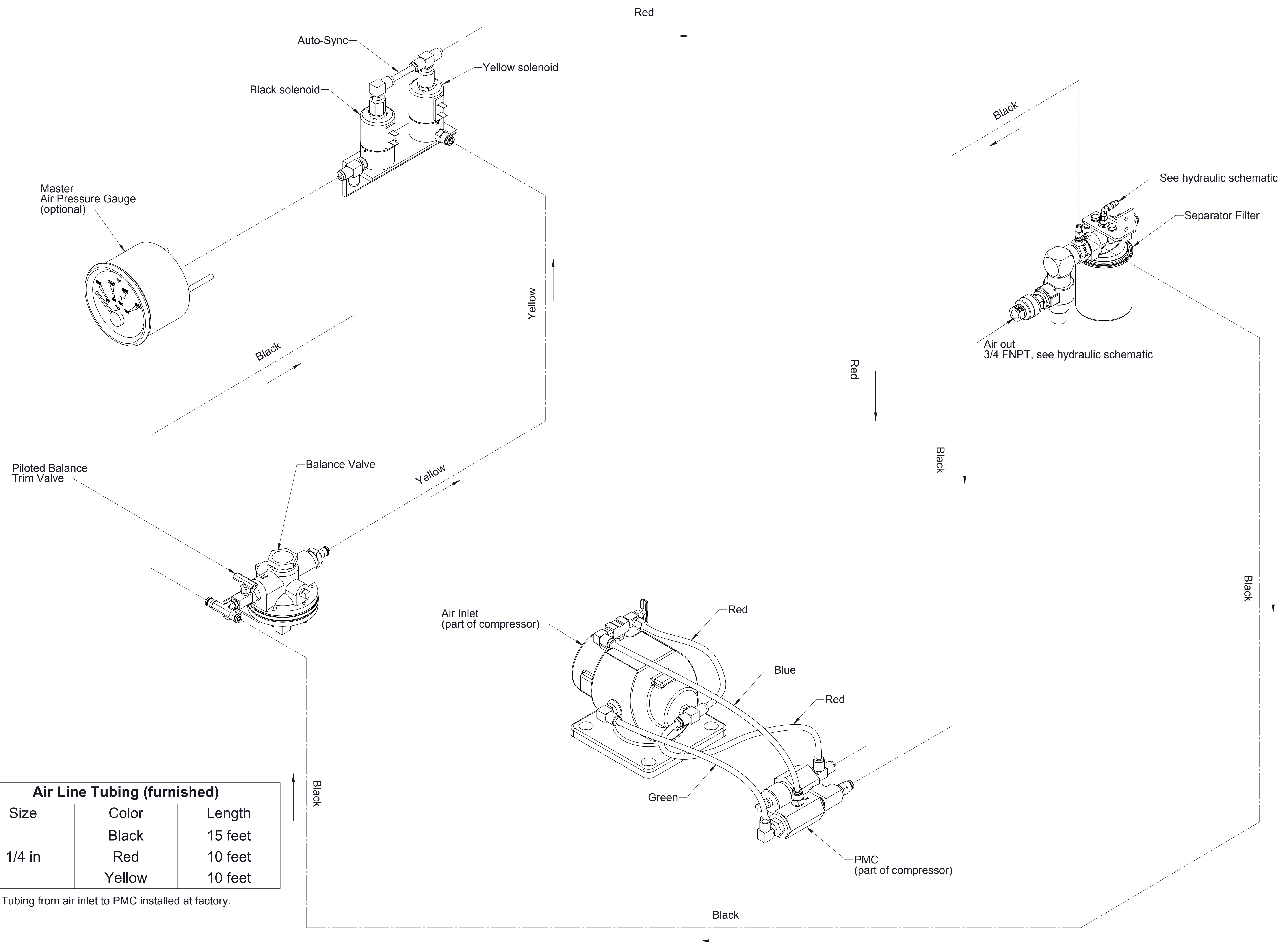
Optional Digital Air Flow Meter
Order part number Q-0390024, 12V



Optional Sump Vent
Vents compressor pressure for 10 seconds at startup to prevent engine stalling,
order part number 83293-2A (12V) or 83293-2B (24V)



Hydraulic Schematic

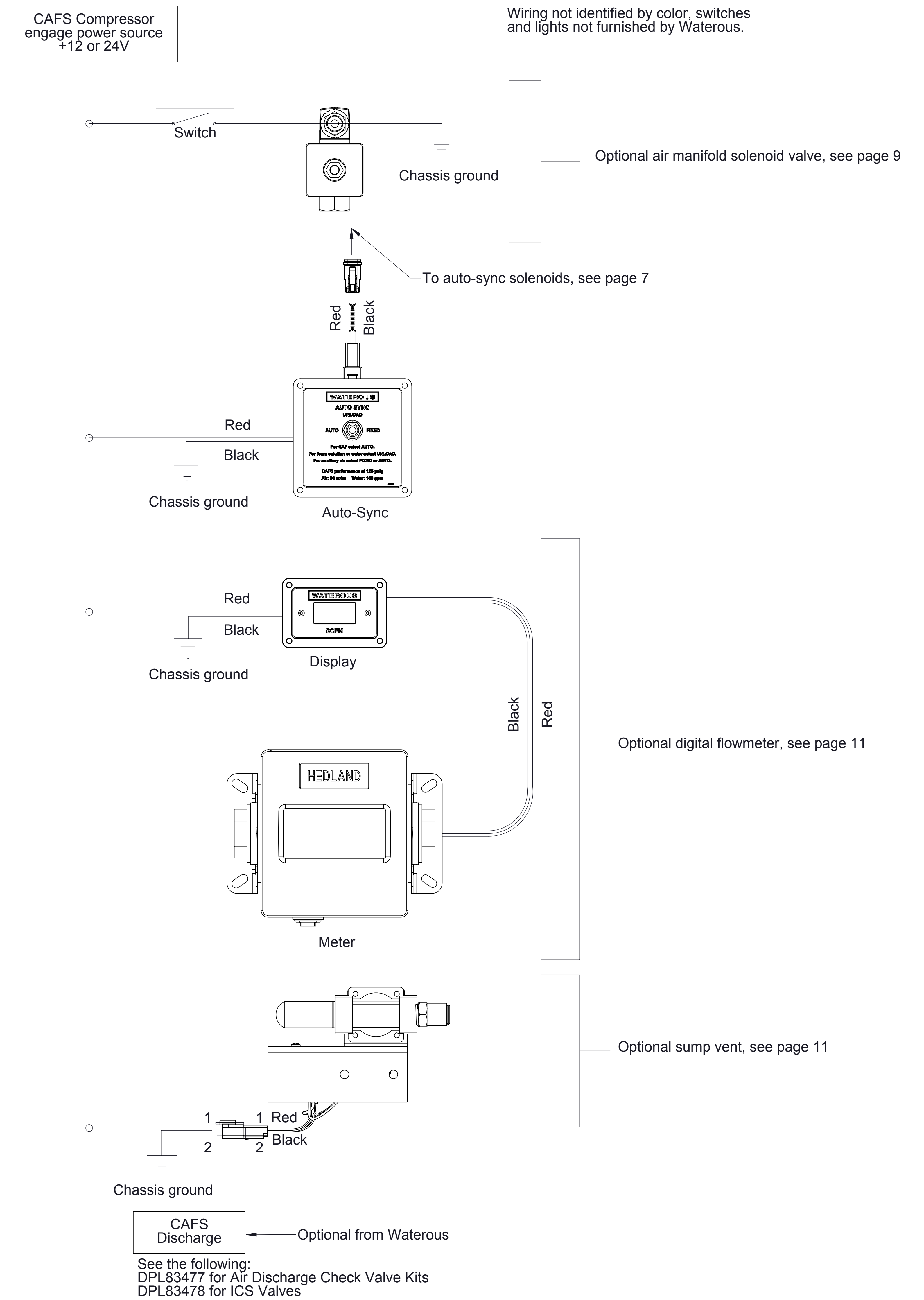
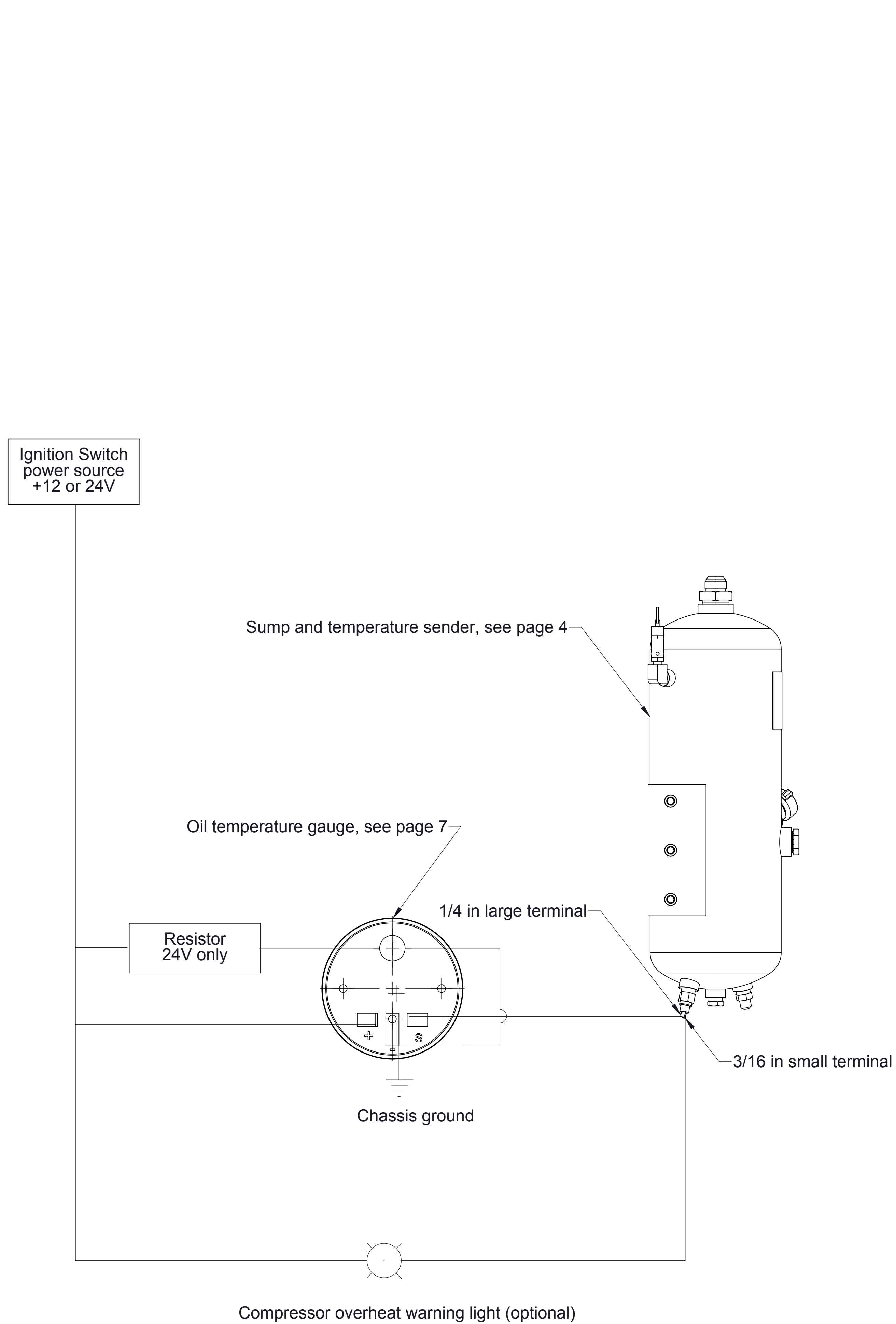


Air Line Tubing (furnished)		
Size	Color	Length
1/4 in	Black	15 feet
	Red	10 feet
	Yellow	10 feet

Note: Tubing from air inlet to PMC installed at factory.

----- Installed by OEM

Air Circuit Schematic



Notes:
1. Wiring and light not furnished by Waterous.
2. All wire 16 gauge unless noted otherwise.