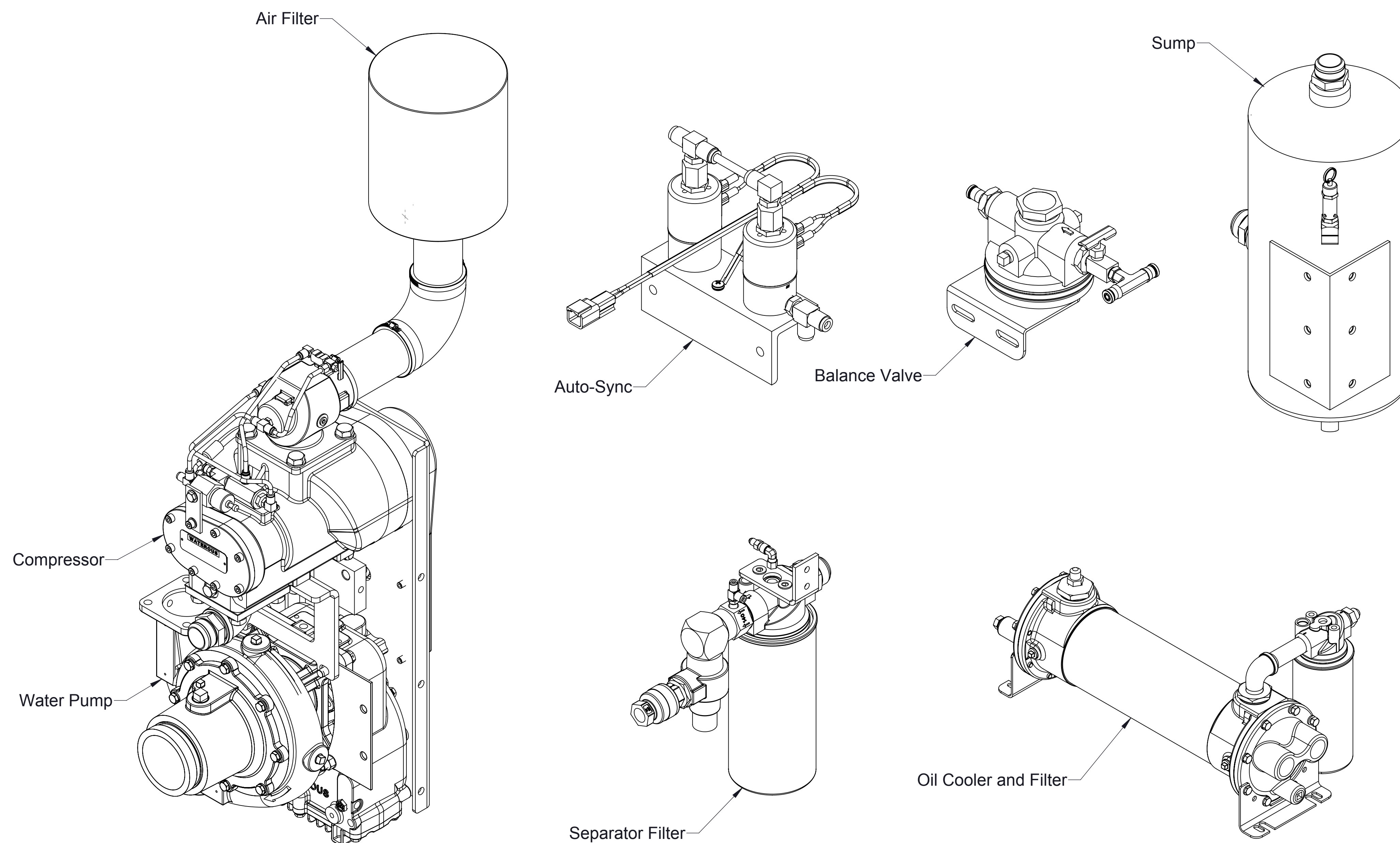
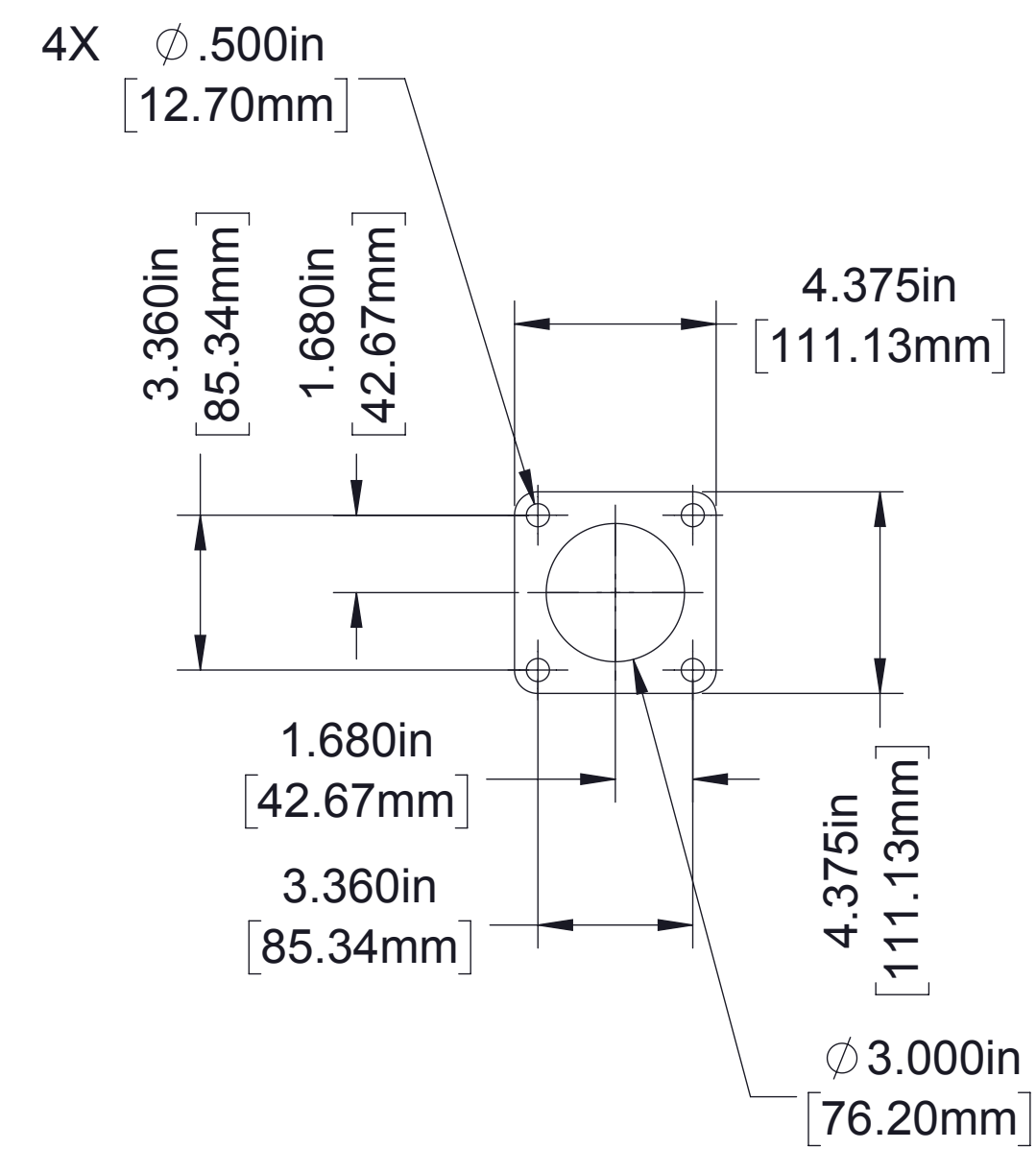


PTO Compressor System Dimensional Drawings

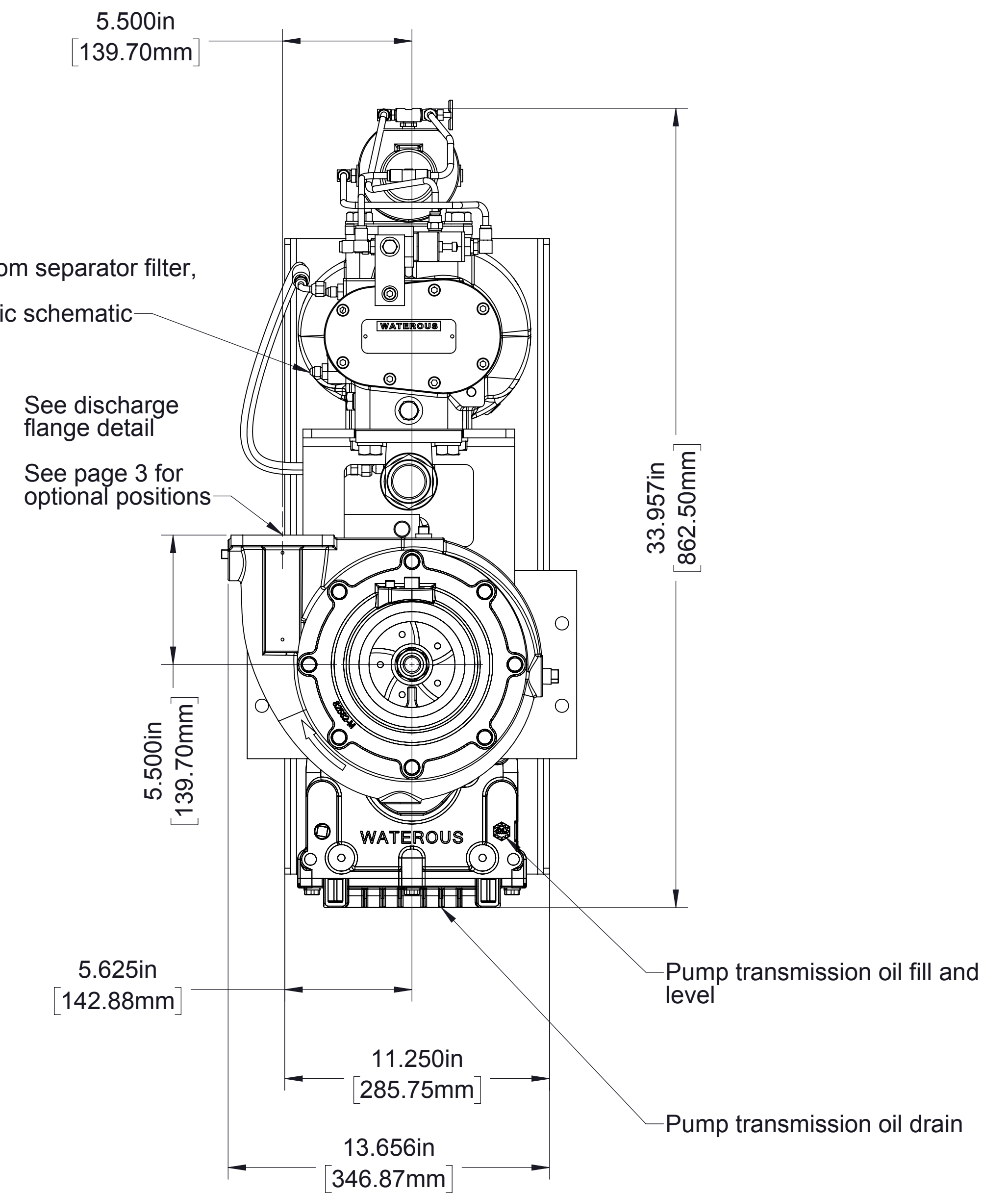
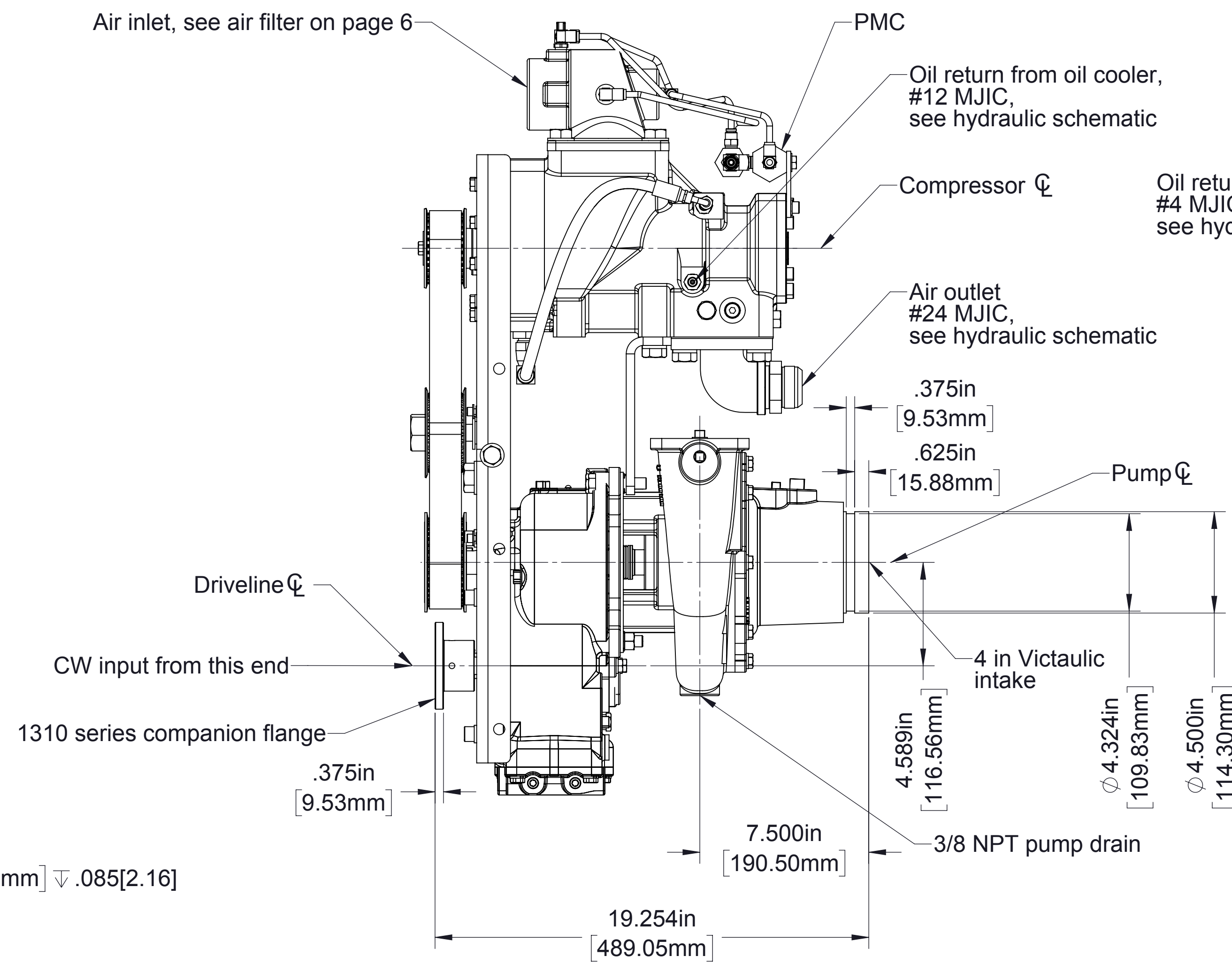
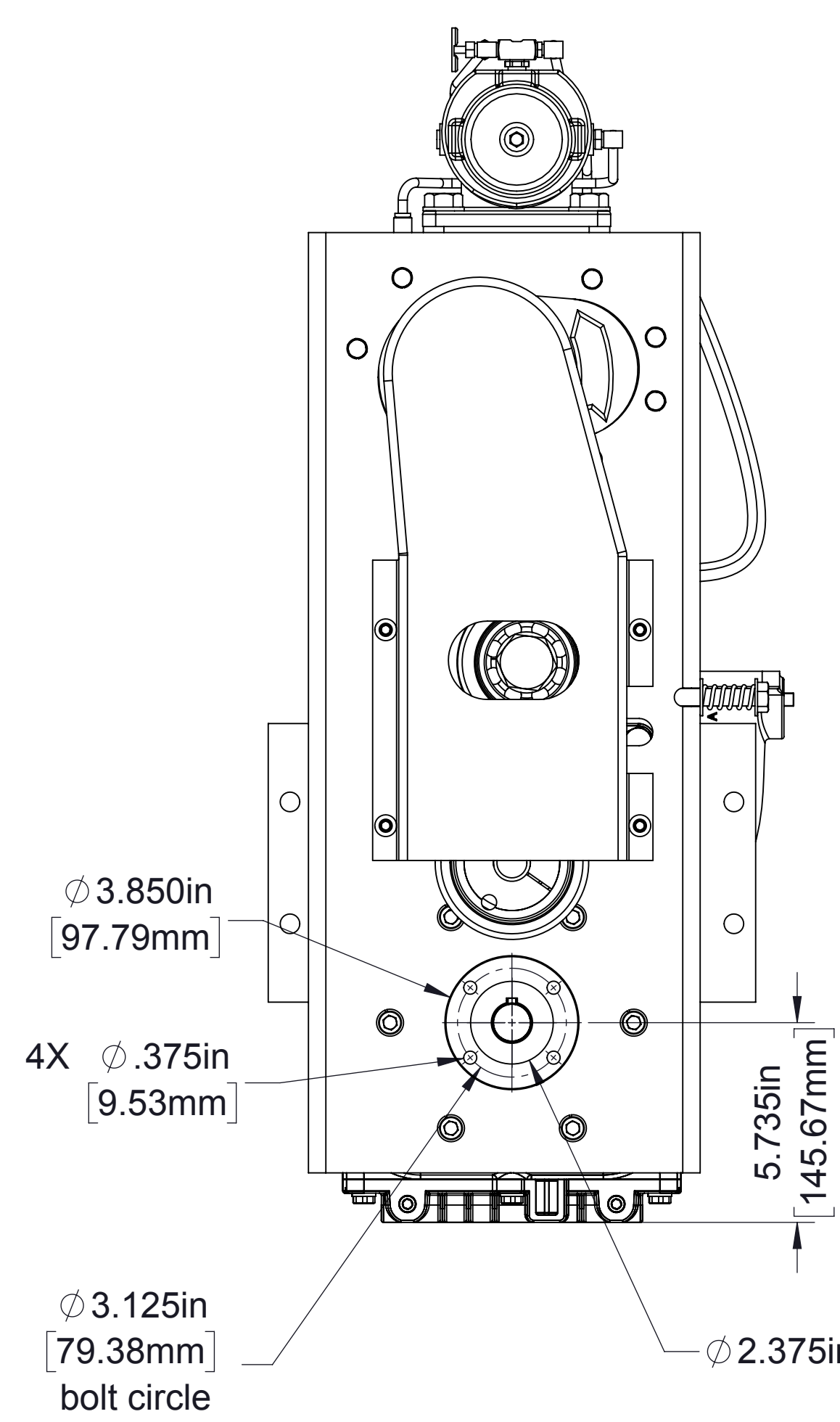
Model 500-150-P Includes fire pump model CLVK



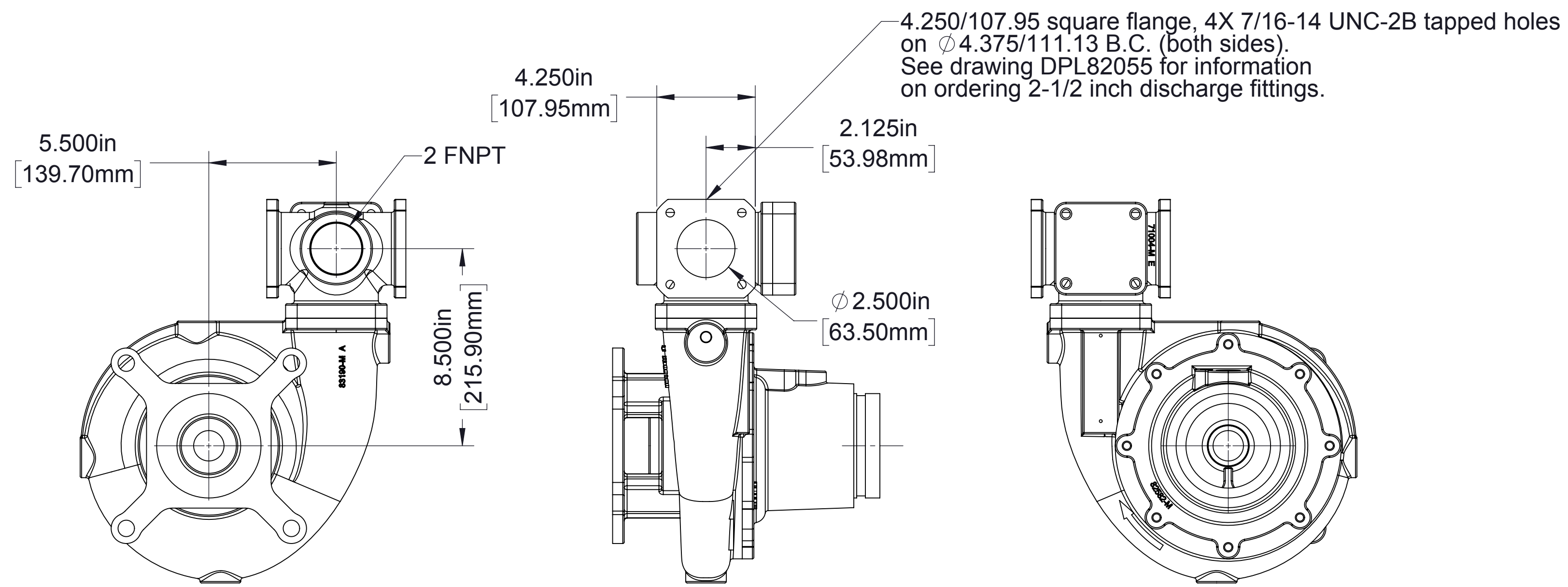
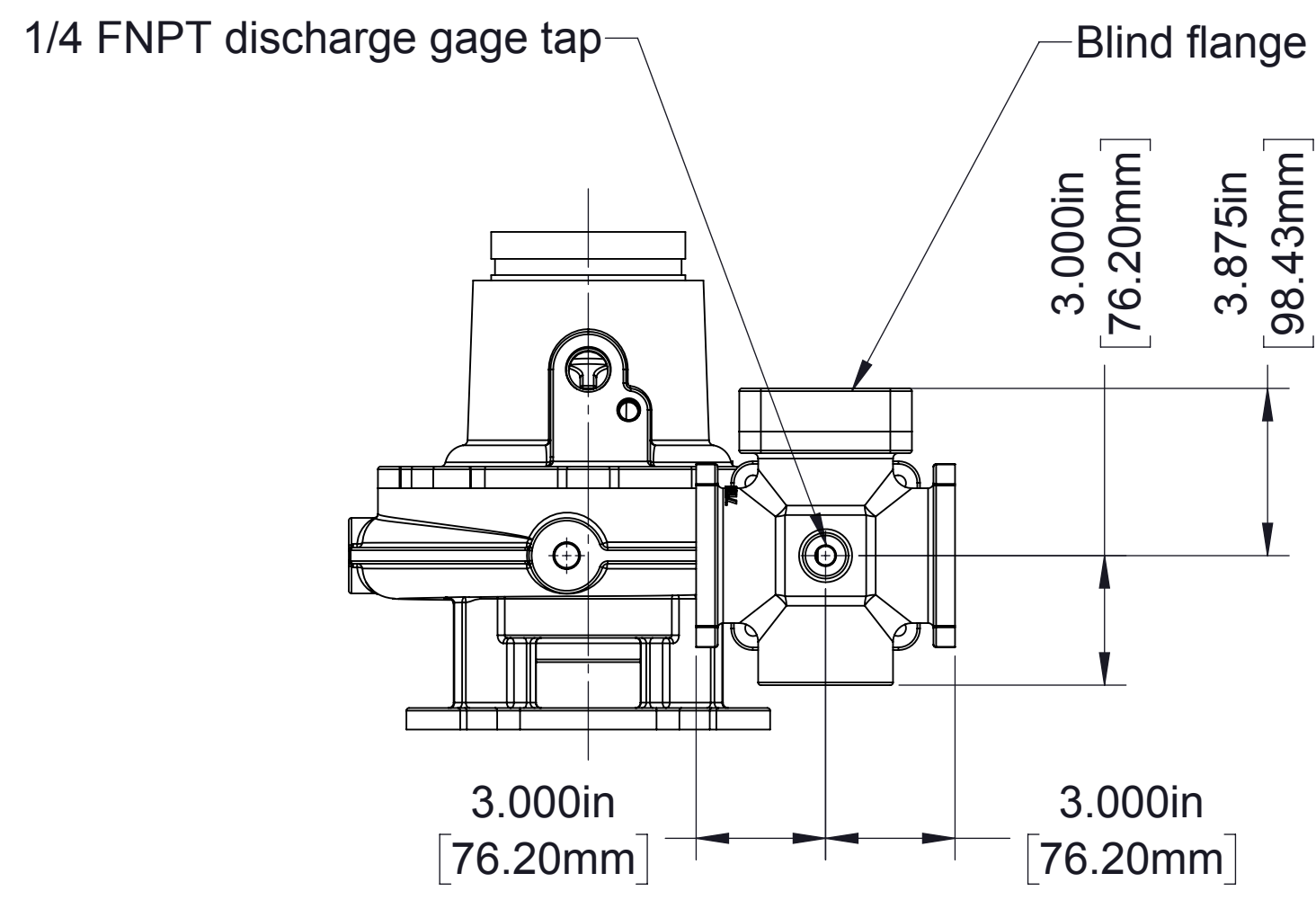
Standard Components:	Page
• Compressor and Water Pump	2
• Available Pump Discharge Positions	3
• Sump (Oil Reservoir)	4
• Oil Cooler and Filter	5
• Air Filter	6
• Separator Filter	6
• Auto-Sync	7
• Balance Valve	7
• Oil Temperature Gauge	7
• Panel Plates	7
Optional Components:	
• Pump Discharge Fittings	3
• Air Oil Cooler (Electric Fan)	8
• Air Distribution Manifold	9
• Auxiliary Air Connection	10
• Air Pressure Gauge	11
• Digital Flow Meter	11
• Sump Vent	11
• Oil Inject Check Valve	See DPL83810
• Hose and Fitting Kit	See DPL83810
CAF Discharge:	
• Air Discharge Check Valve Kits	See DPL83477
• ICS Valves	See DPL83478
• Static Mixers	See DPL83603
• Manifolds	See DPL83682
Foam Pumps:	
• Models Aquis 1.5, 3.0 or 6.0	See F-1031-2447
Schematics:	
• Hydraulic	12
• Air Circuit	13
• Electrical	14



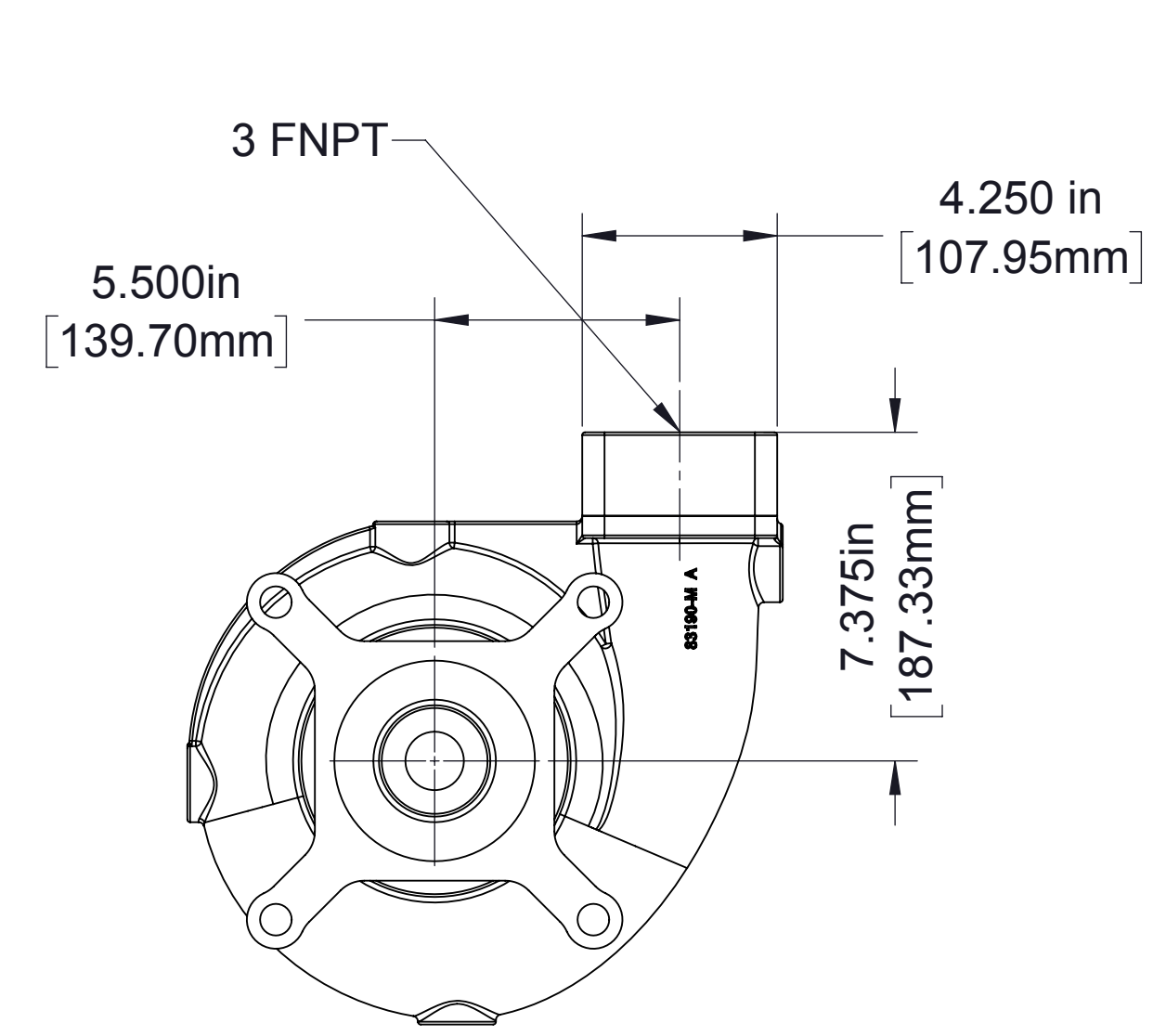
Discharge Flange Detail
See optional fittings on page 3



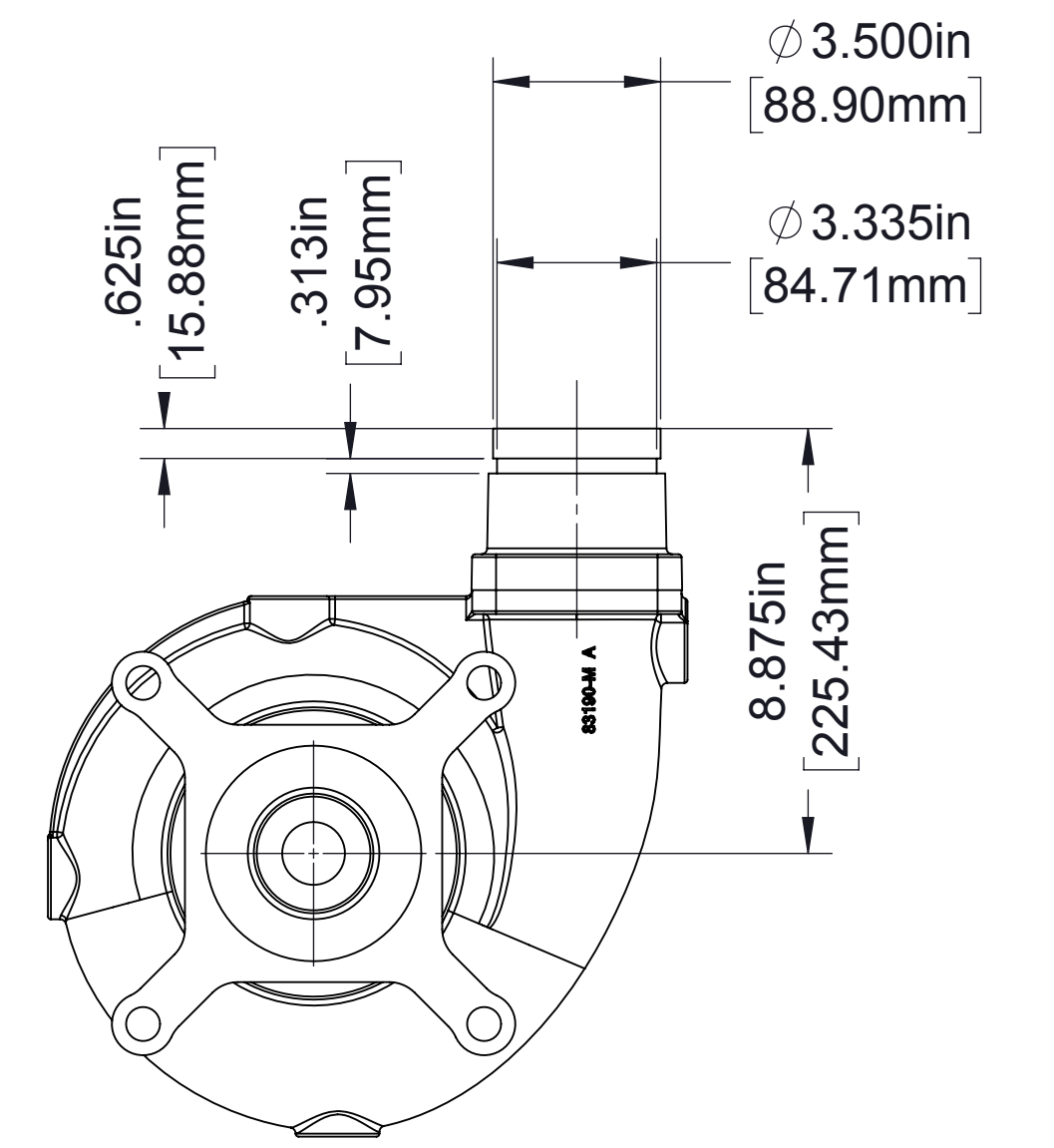
Compressor and Water Pump
Up discharge position shown



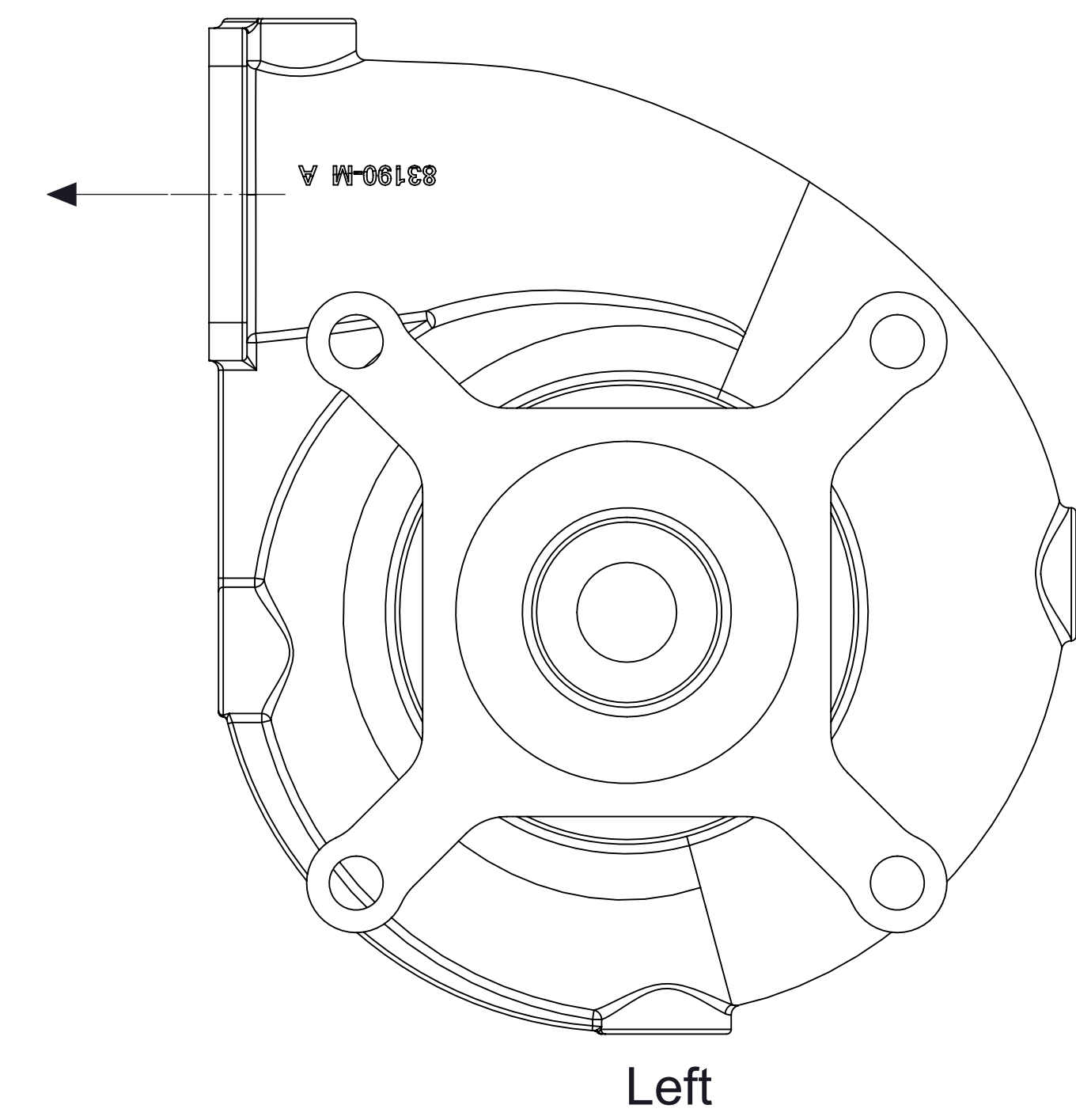
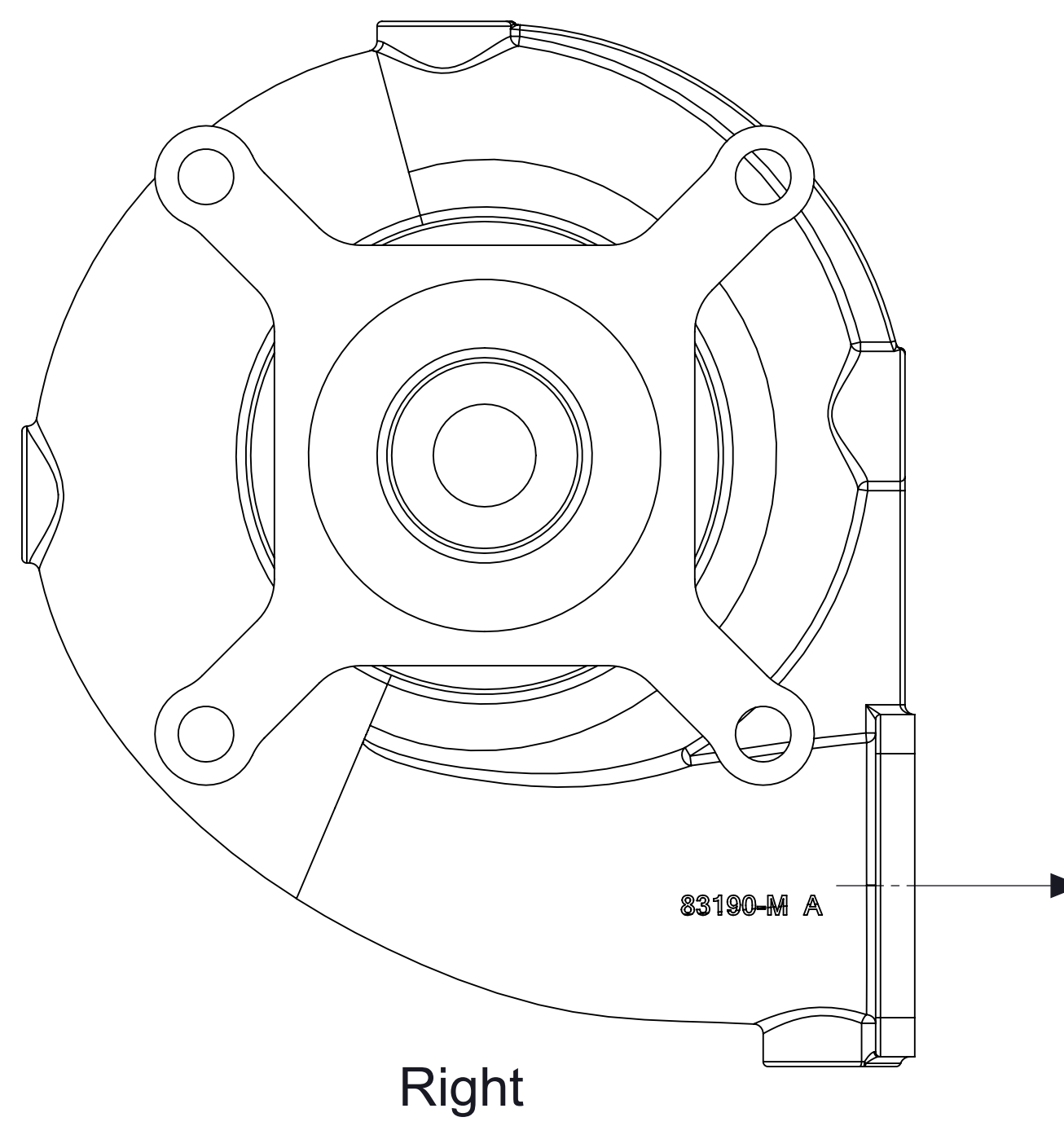
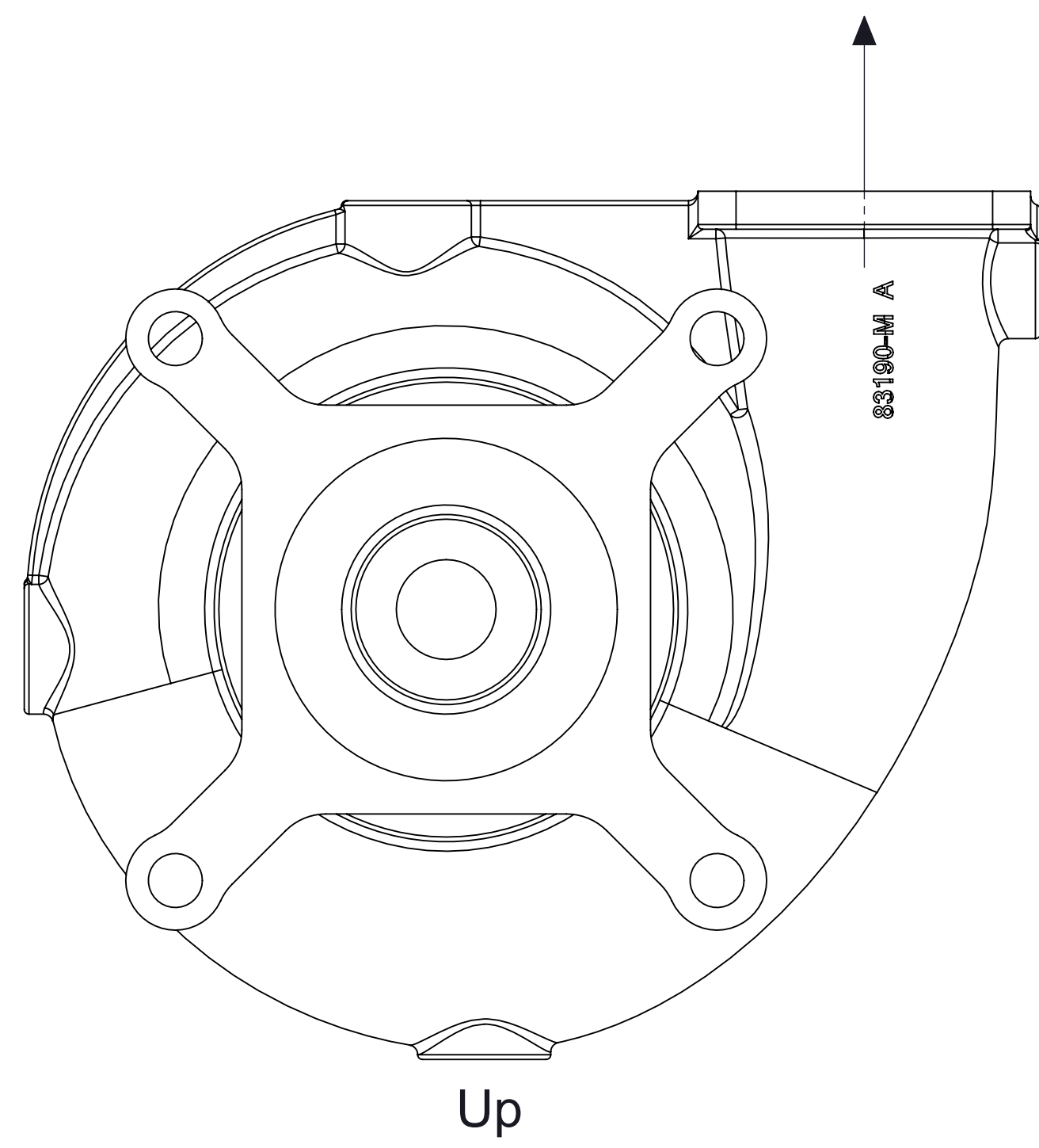
Optional Pump Discharge Head



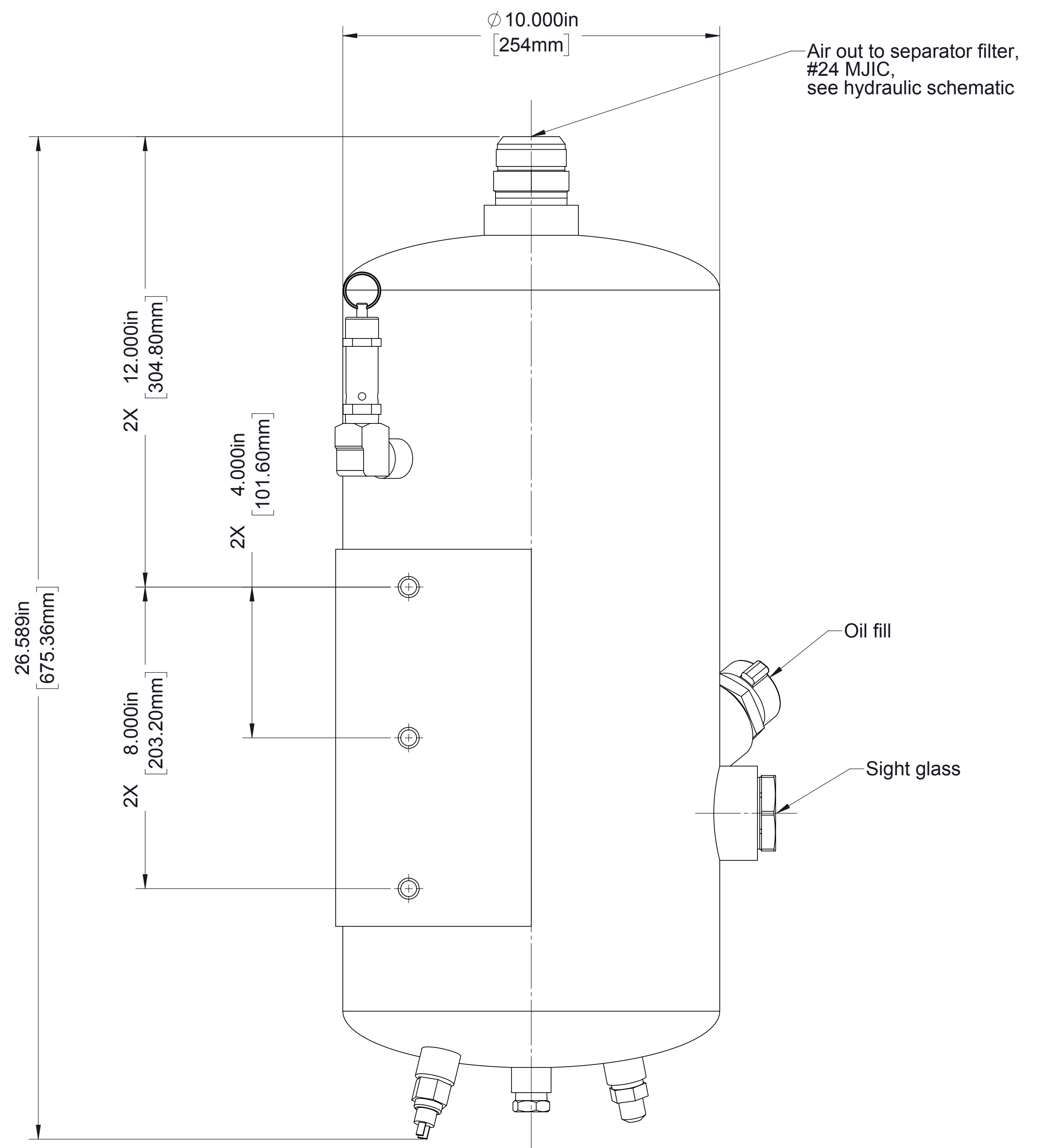
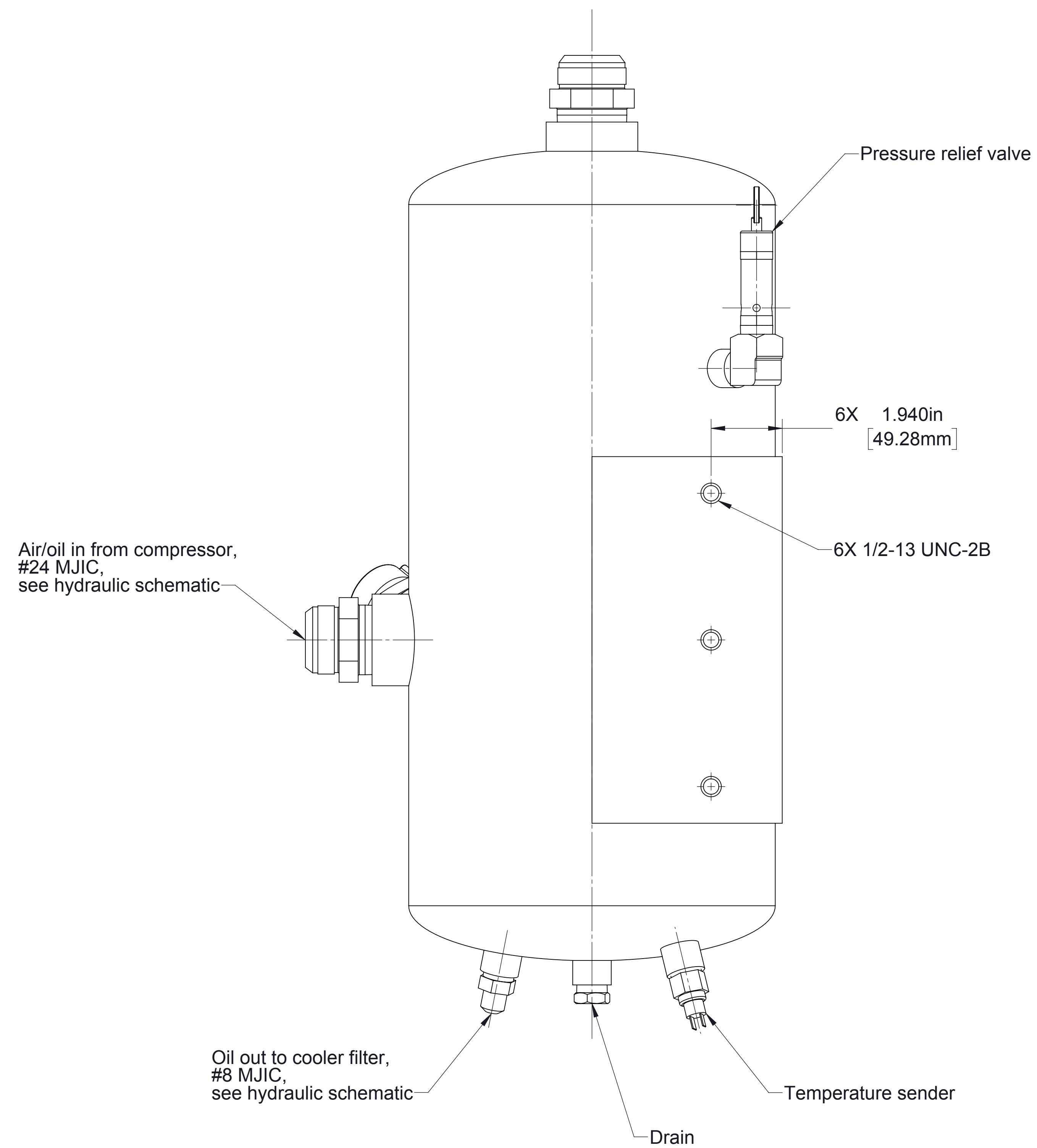
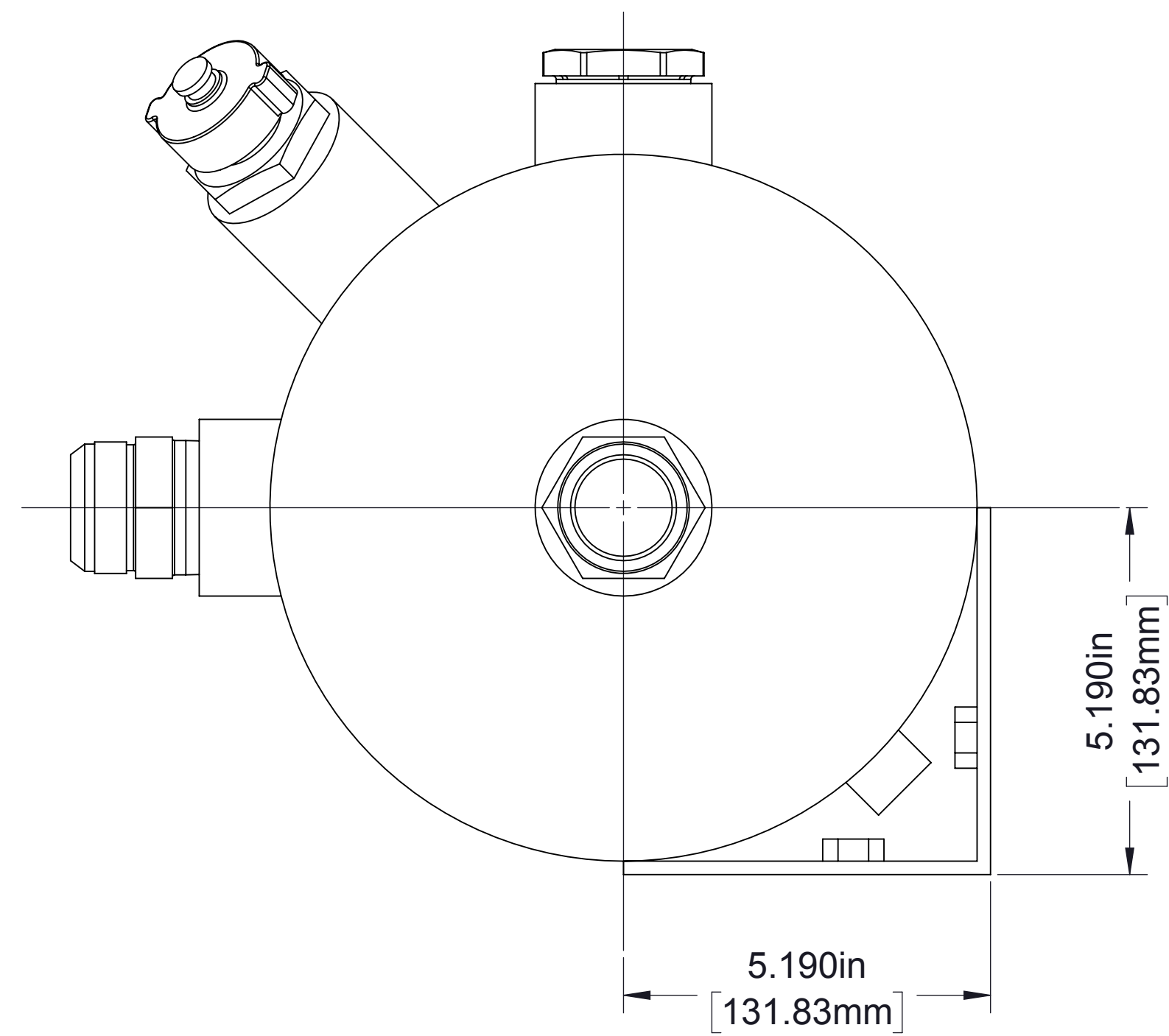
Optional 3 NPT Tapped Flange



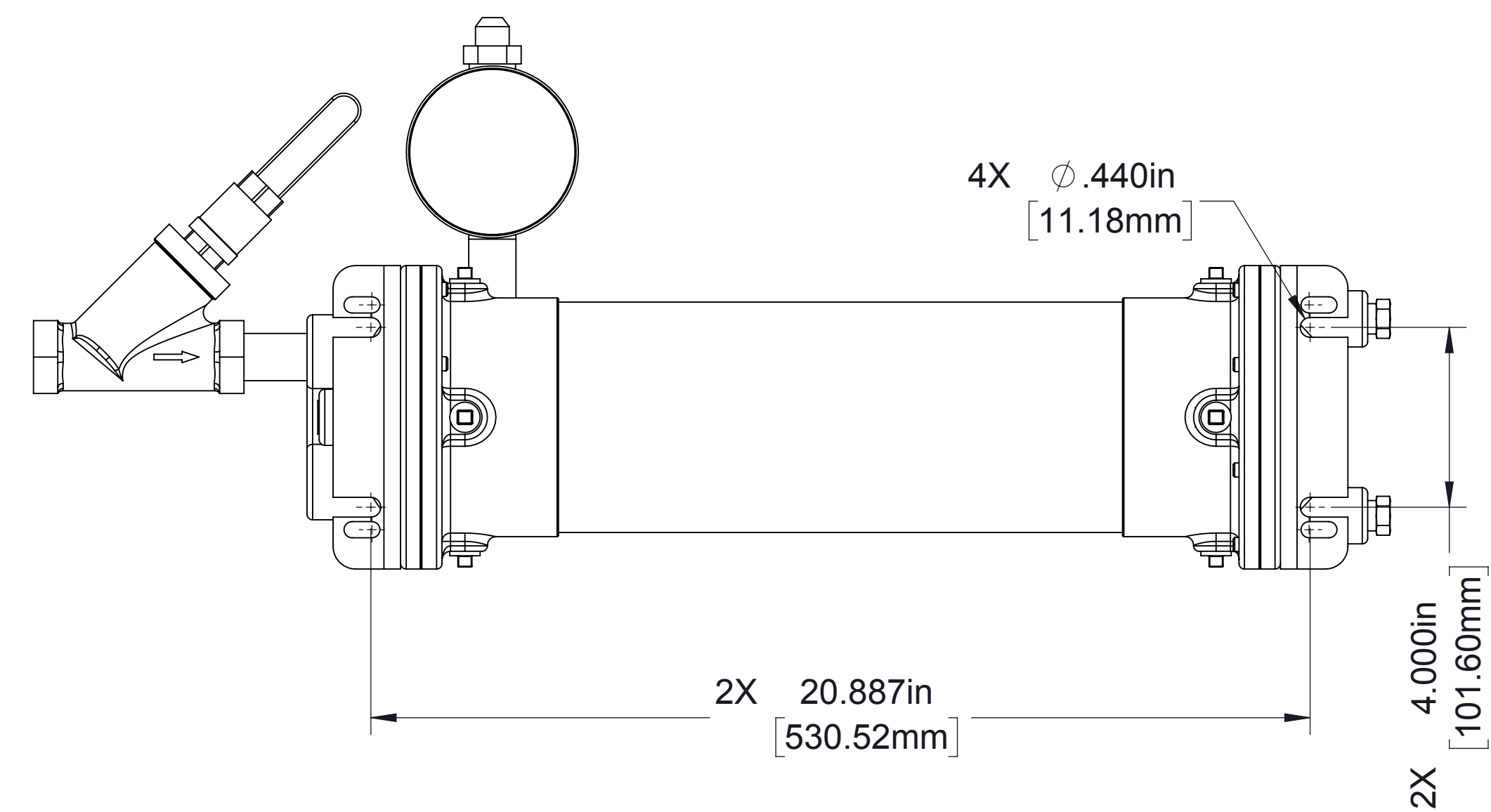
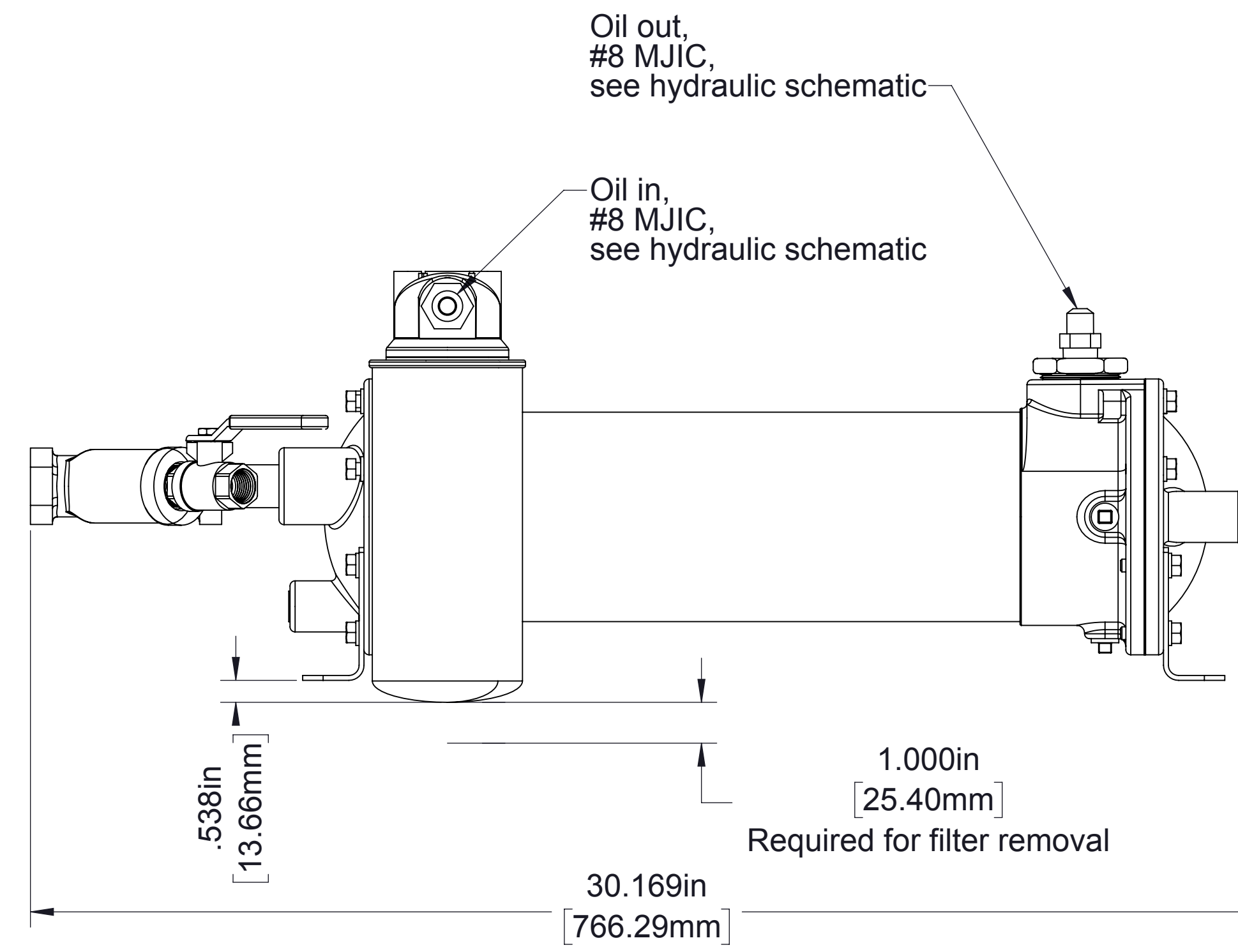
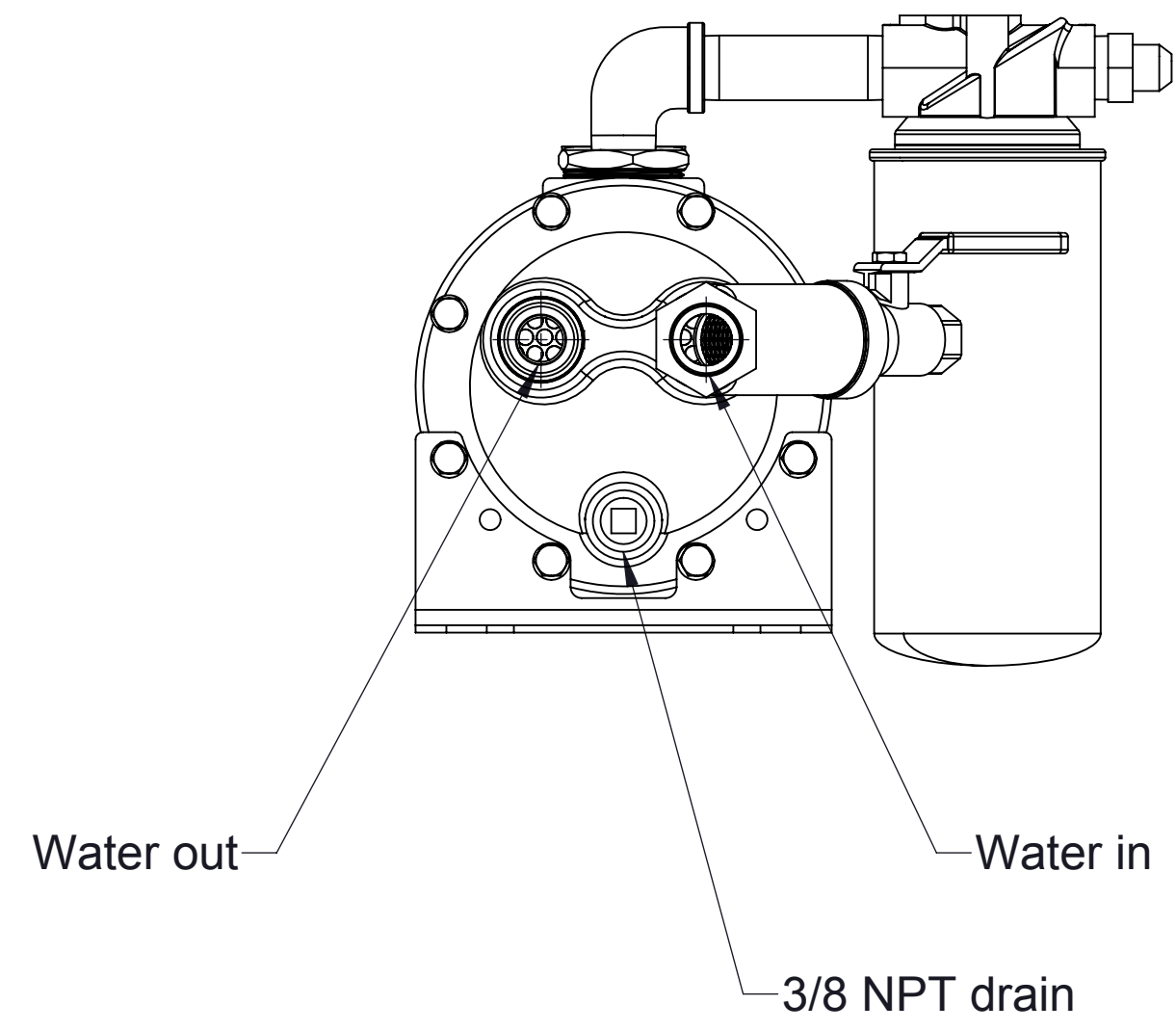
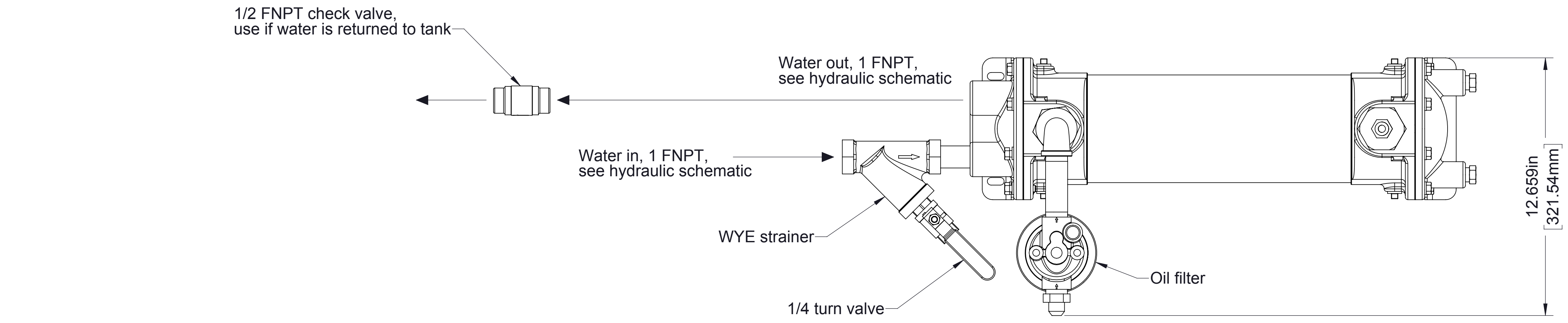
Optional 3 in Victaulic Flange

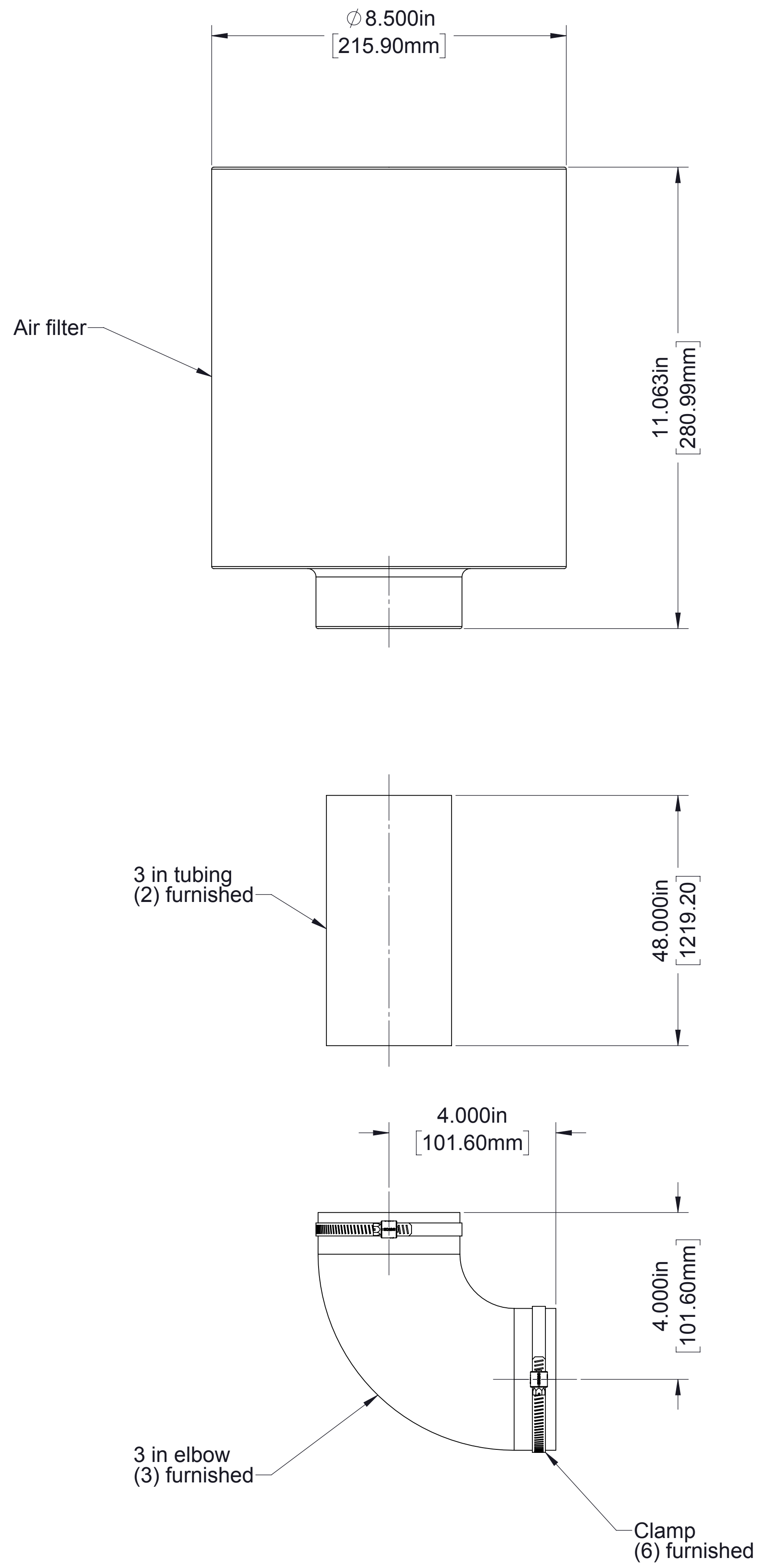


Available Discharge Positions, as viewed from input(transmission) end.

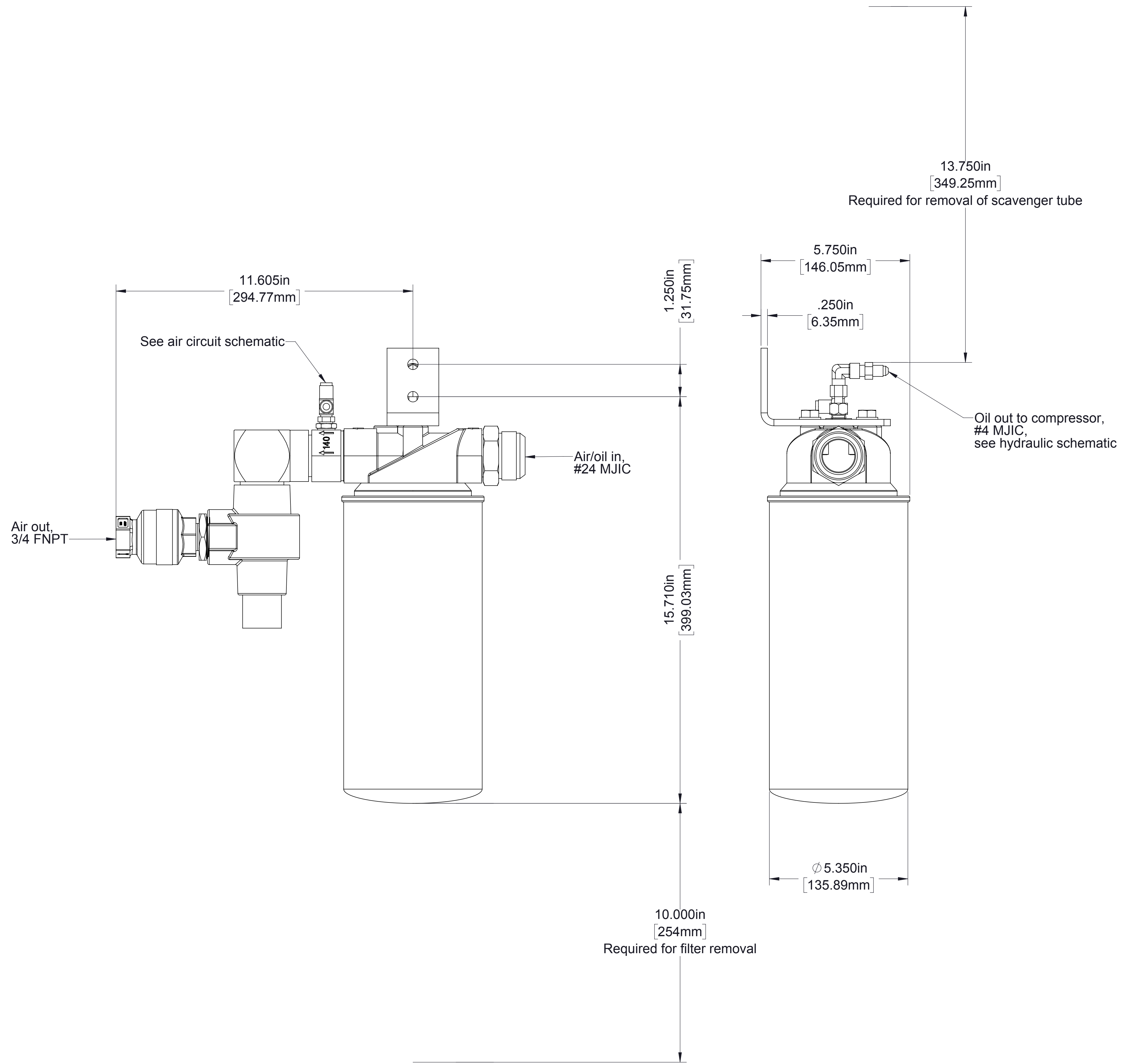


Sump (Oil Reservoir)

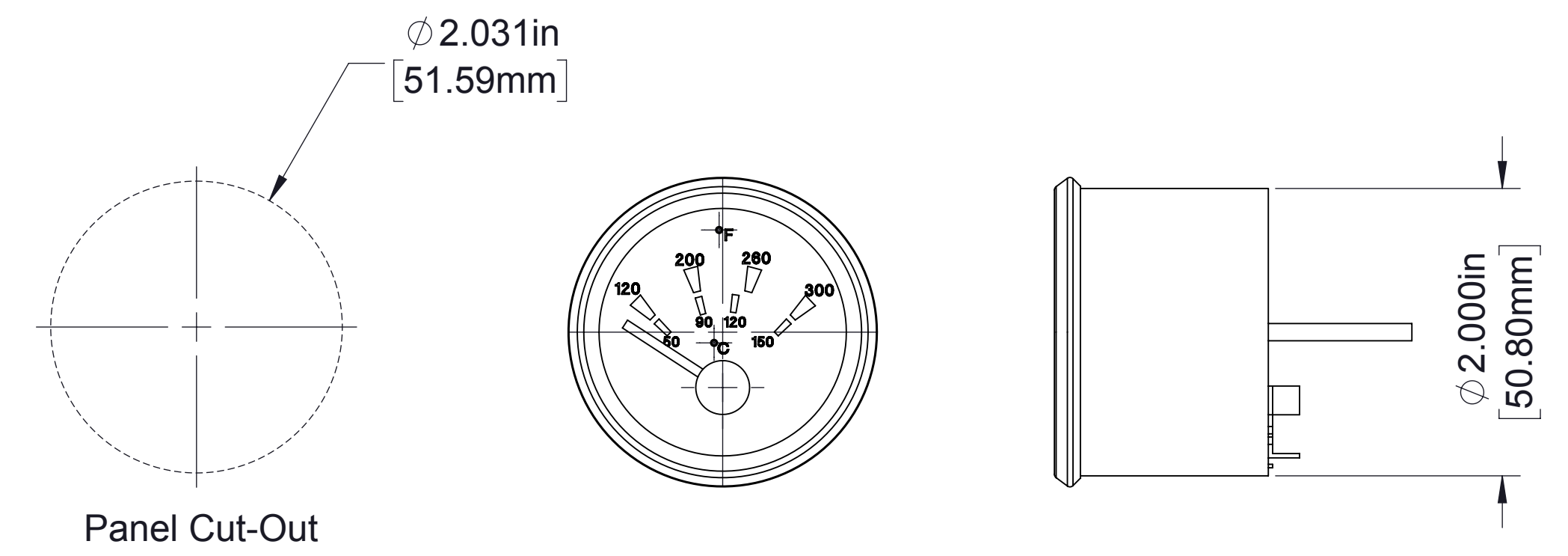
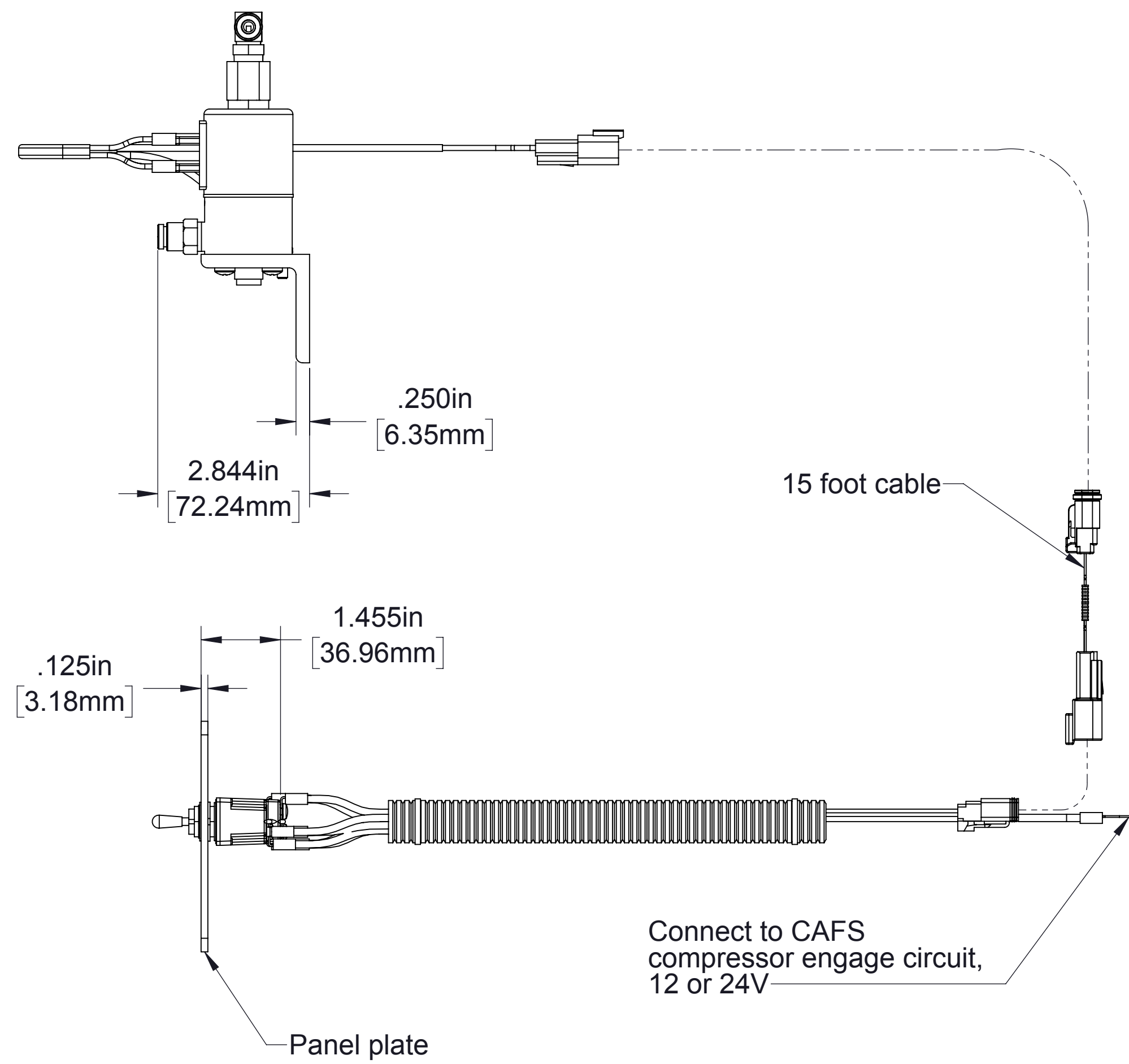
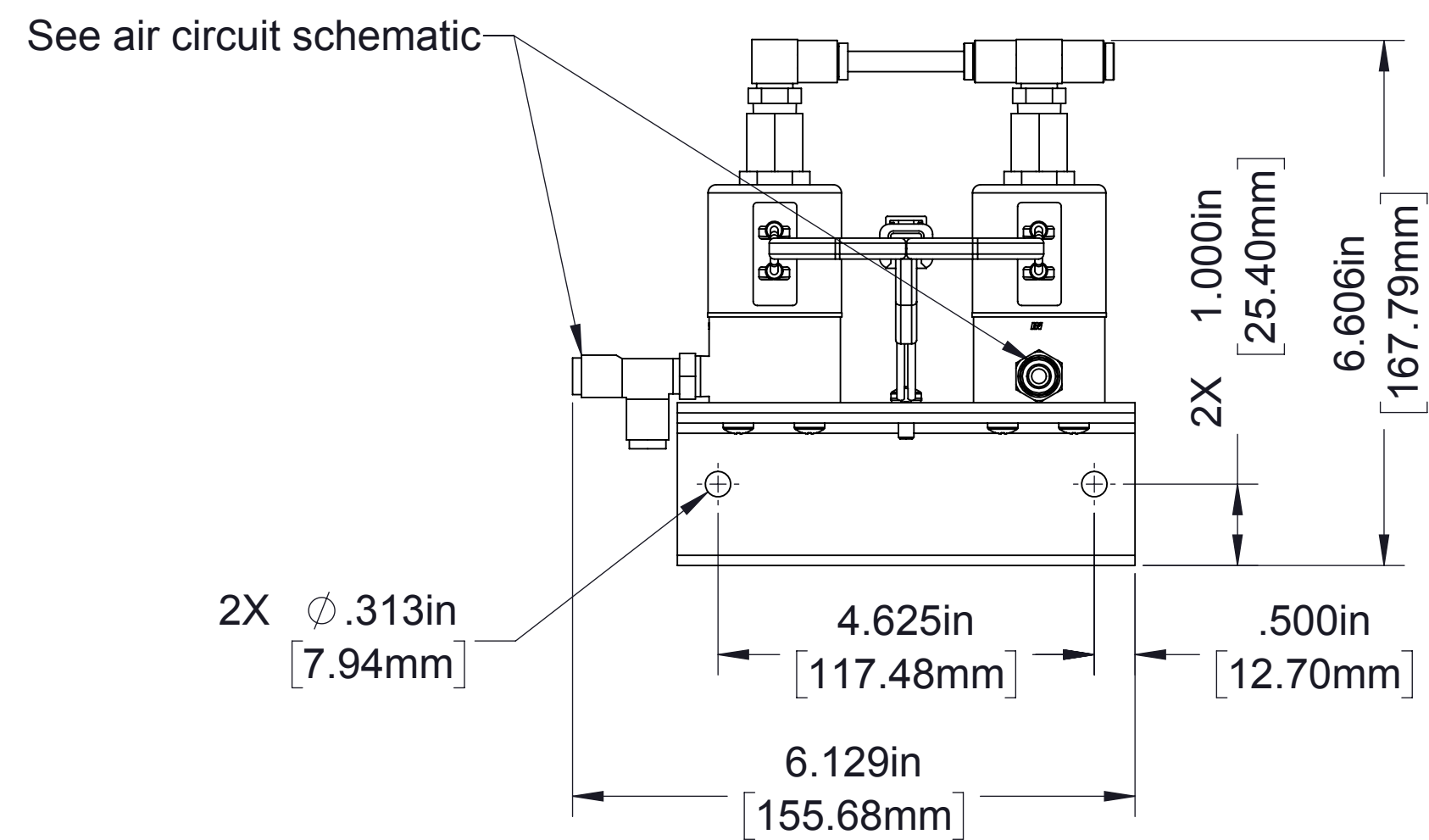




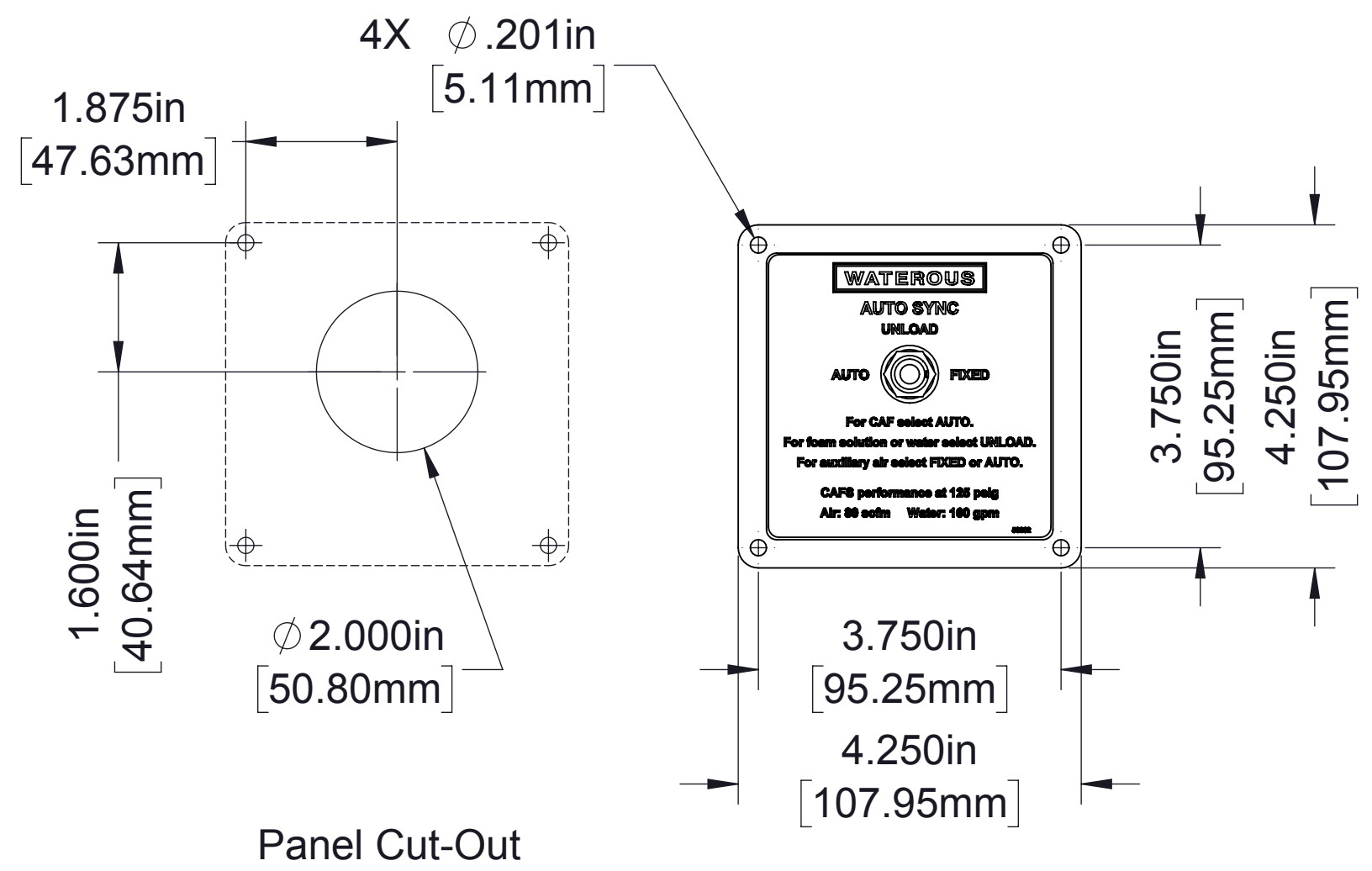
Air Filter



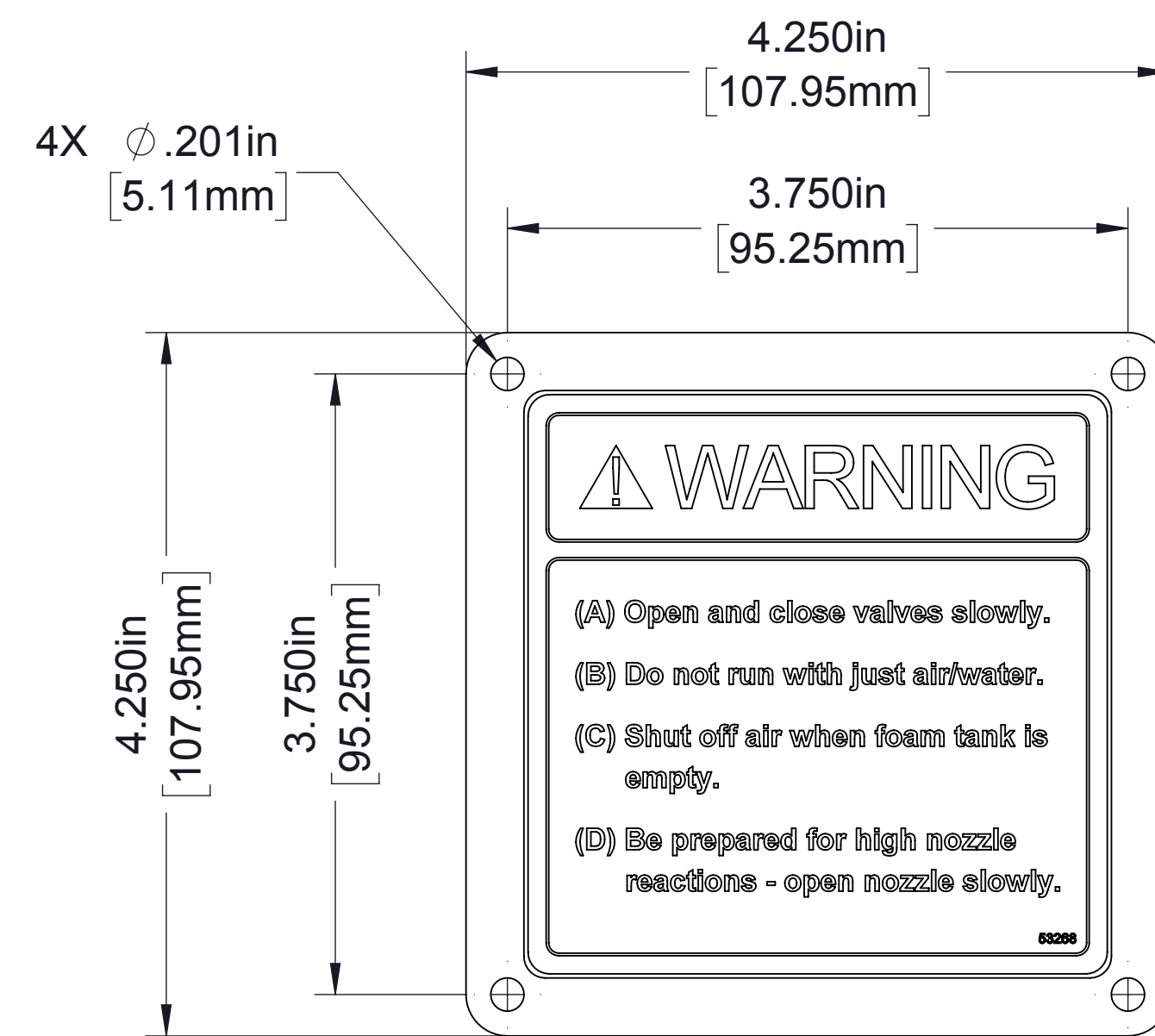
Separator Filter



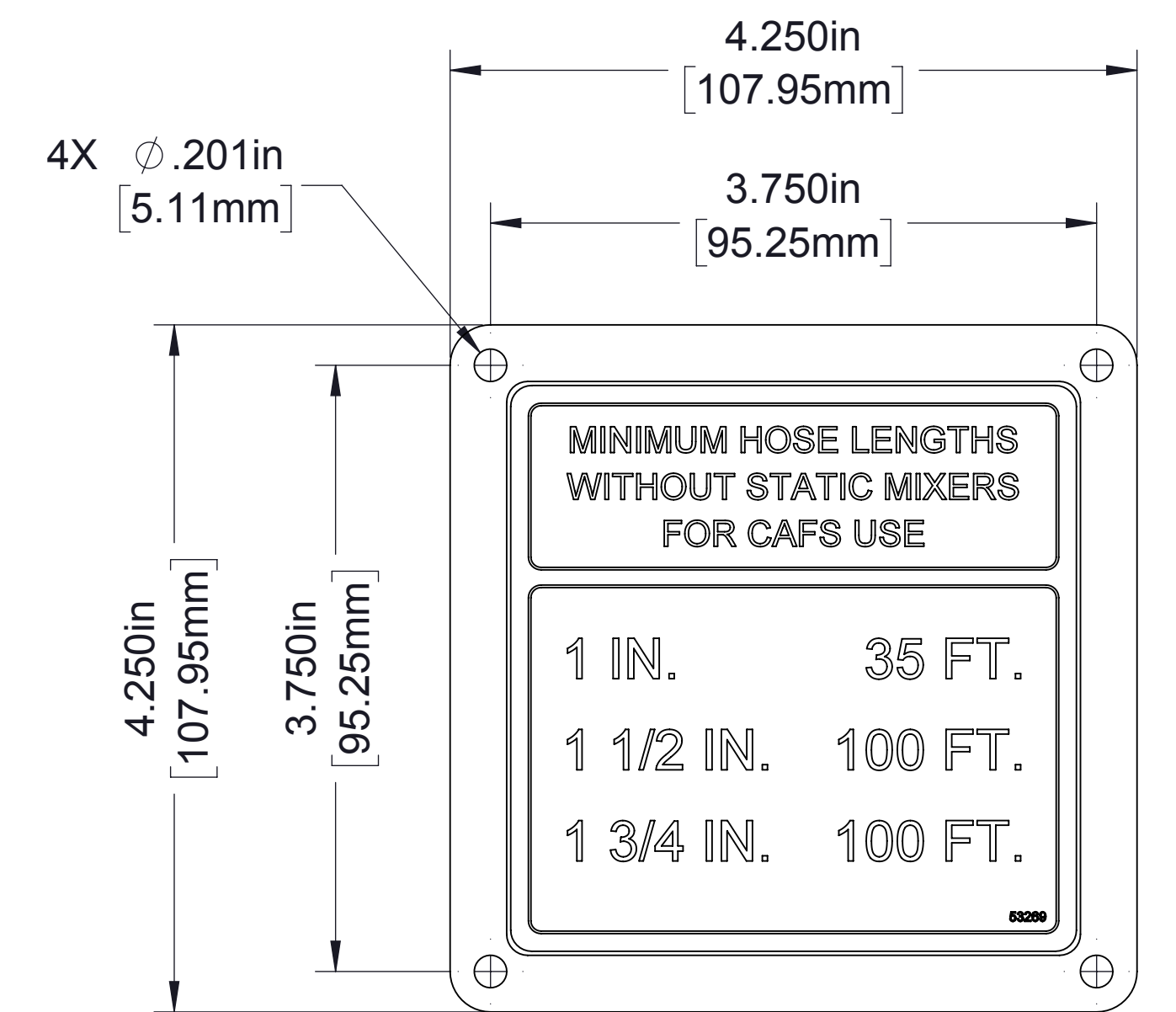
Oil Temperature Gauge
(Wiring to sump temperature sender not furnished by Waterous)



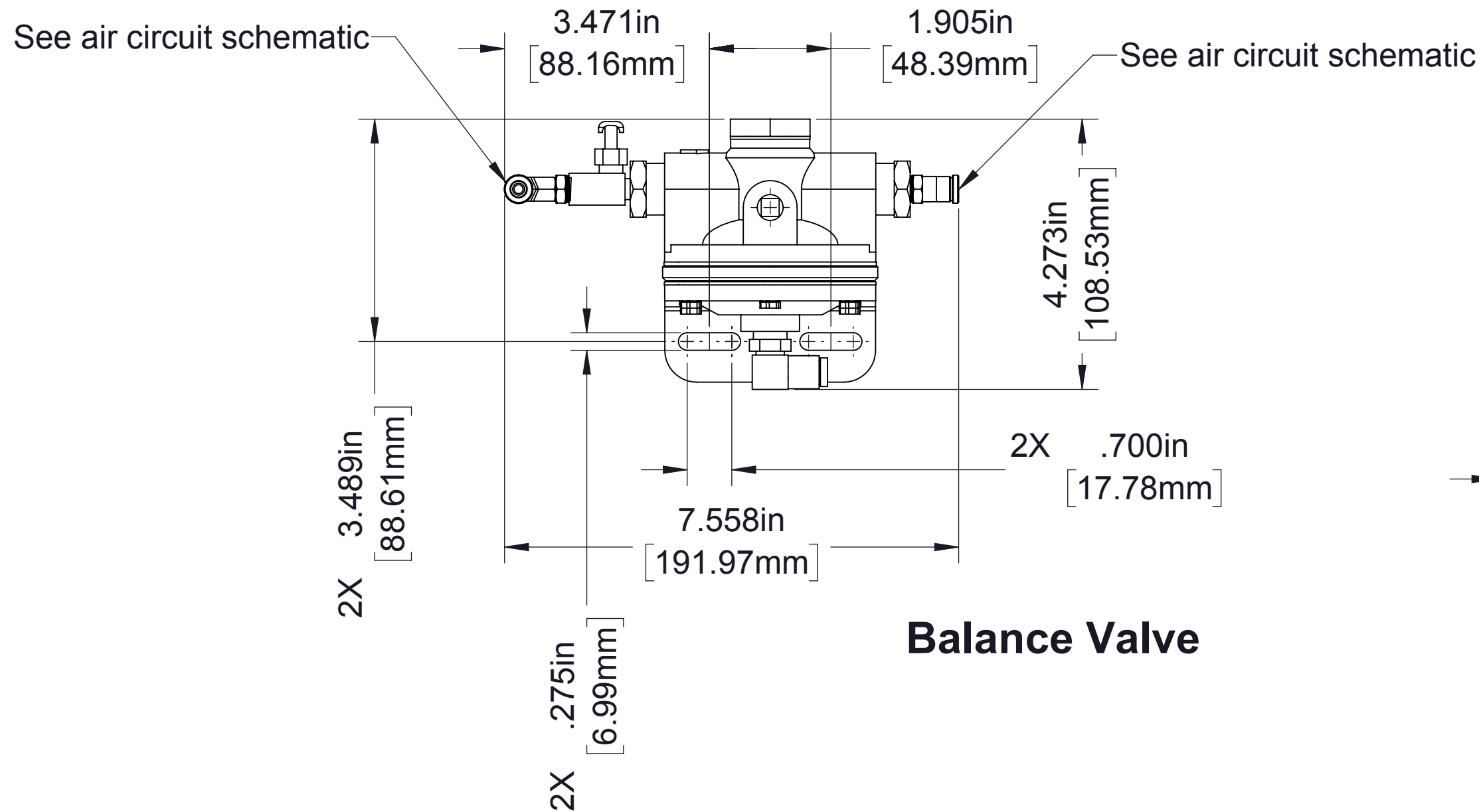
Auto-Sync



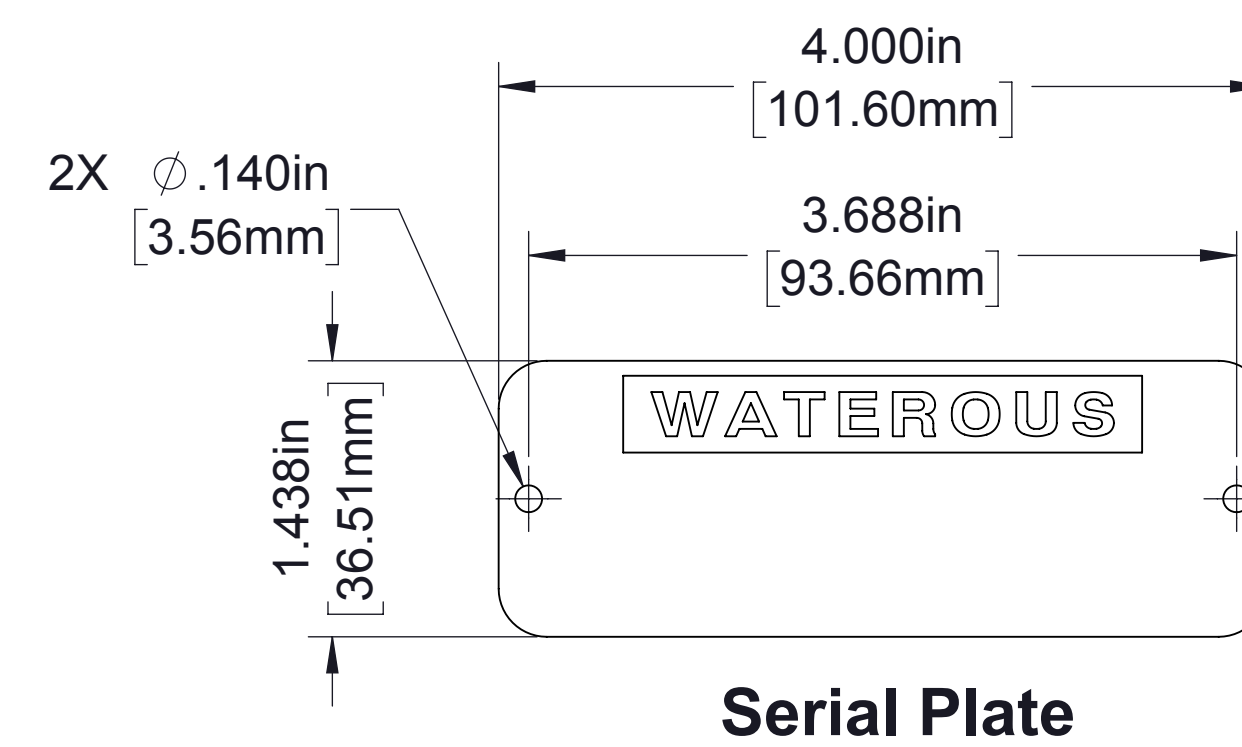
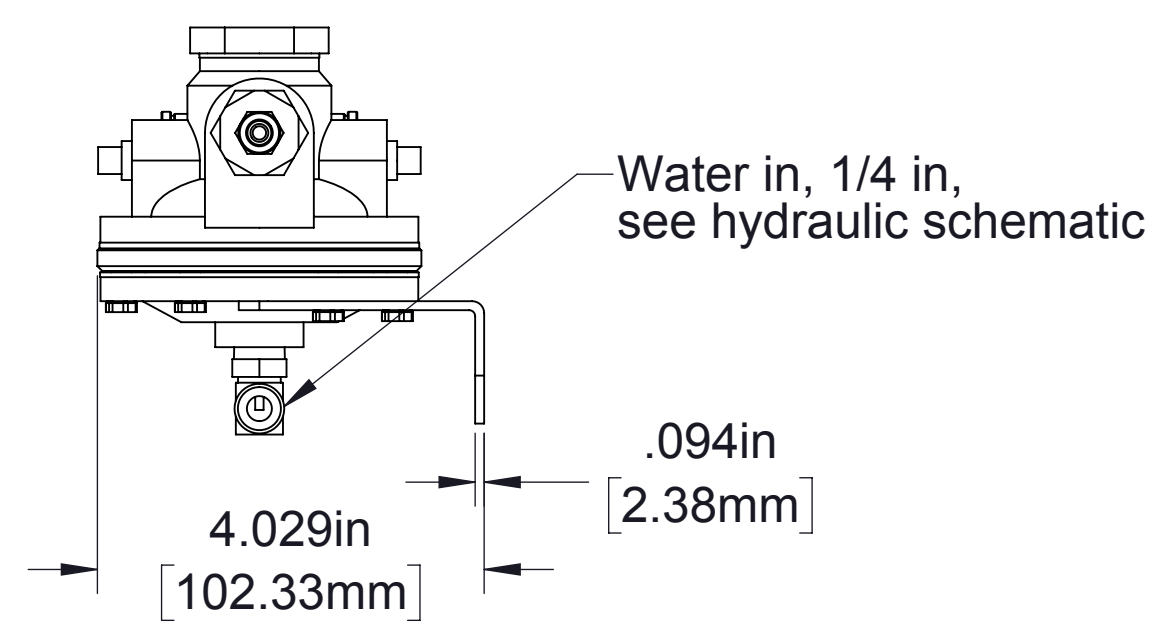
CAFS Warning



Hose Length



Balance Valve



Serial Plate

Panel Plates

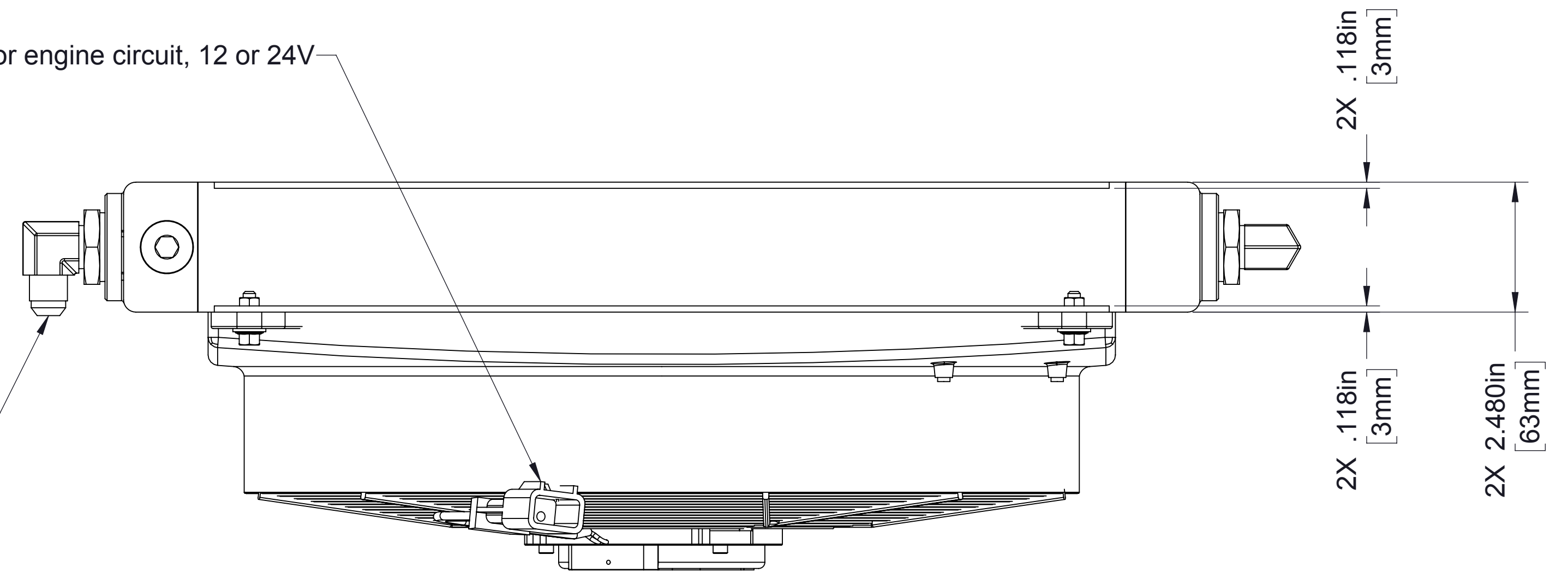
Connects to CAFS compressor engine circuit, 12 or 24V

Oil out, #8 MJIC

2X .118in
[3mm]

2X .118in
[3mm]

2X 2.480in
[63mm]



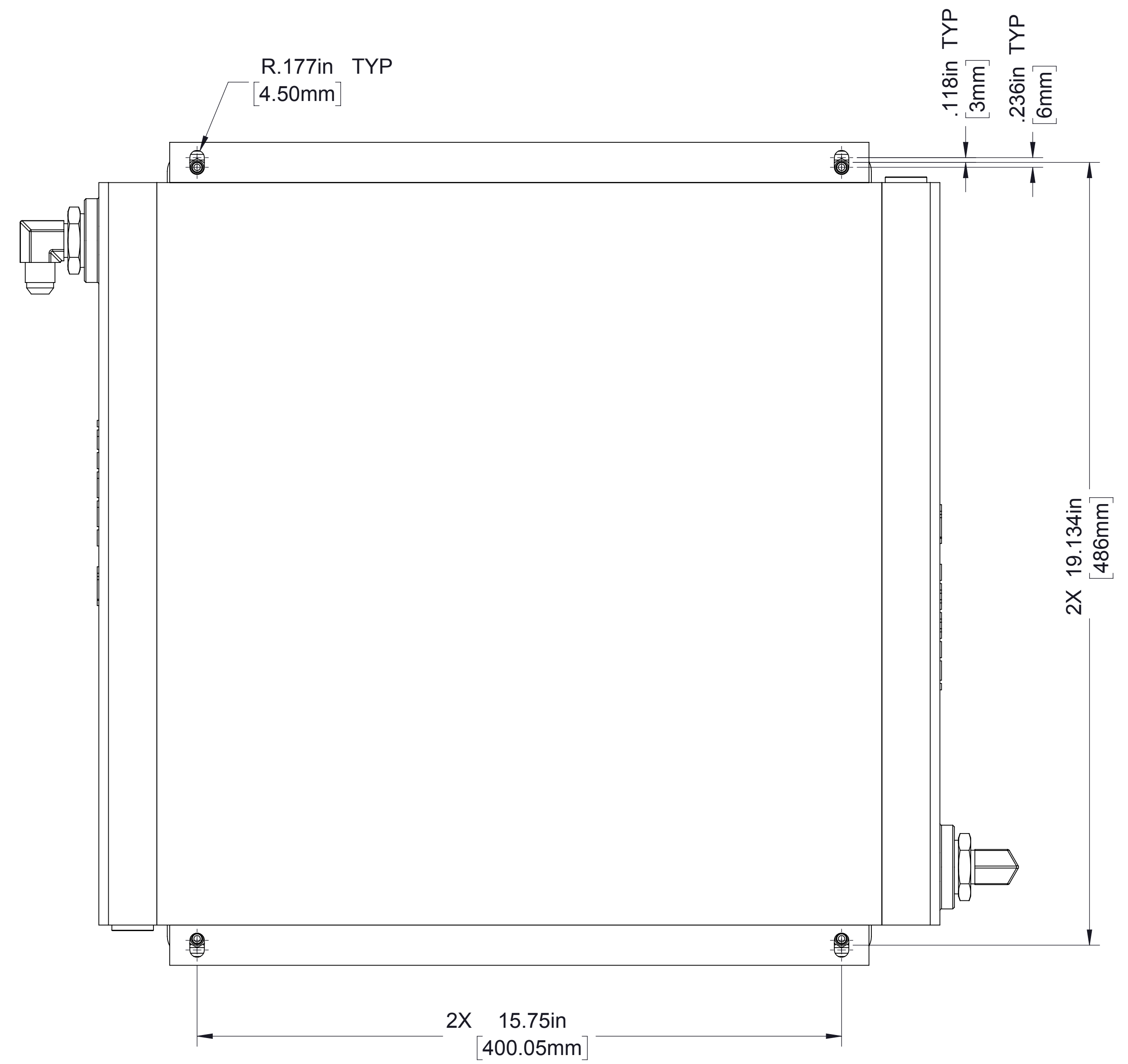
R.177in TYP
[4.50mm]

.118in TYP
[3mm]

.236in TYP
[6mm]

2X 19.134in
[486mm]

2X 15.75in
[400.05mm]

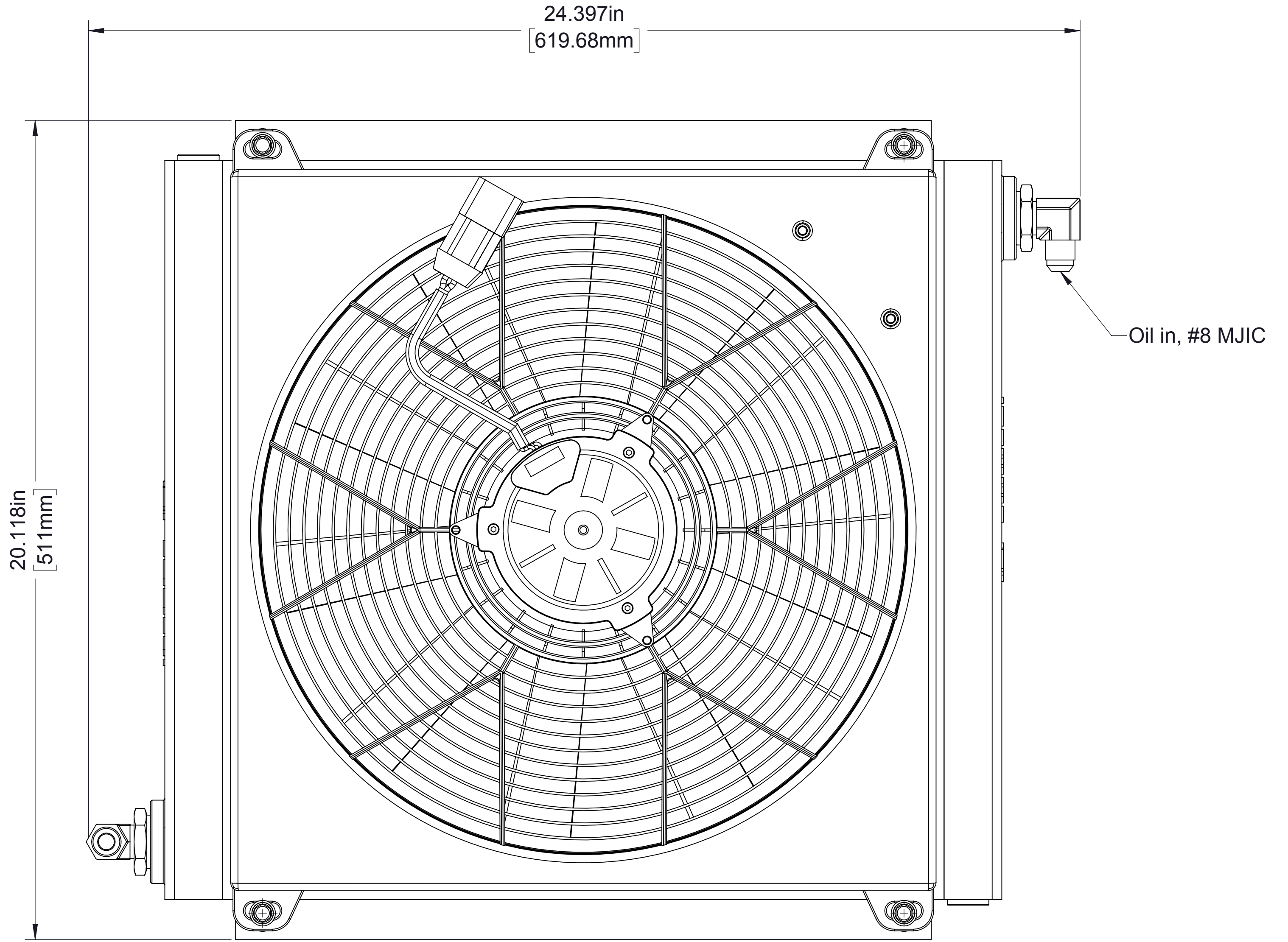


Viewed from back

24.397in
[619.68mm]

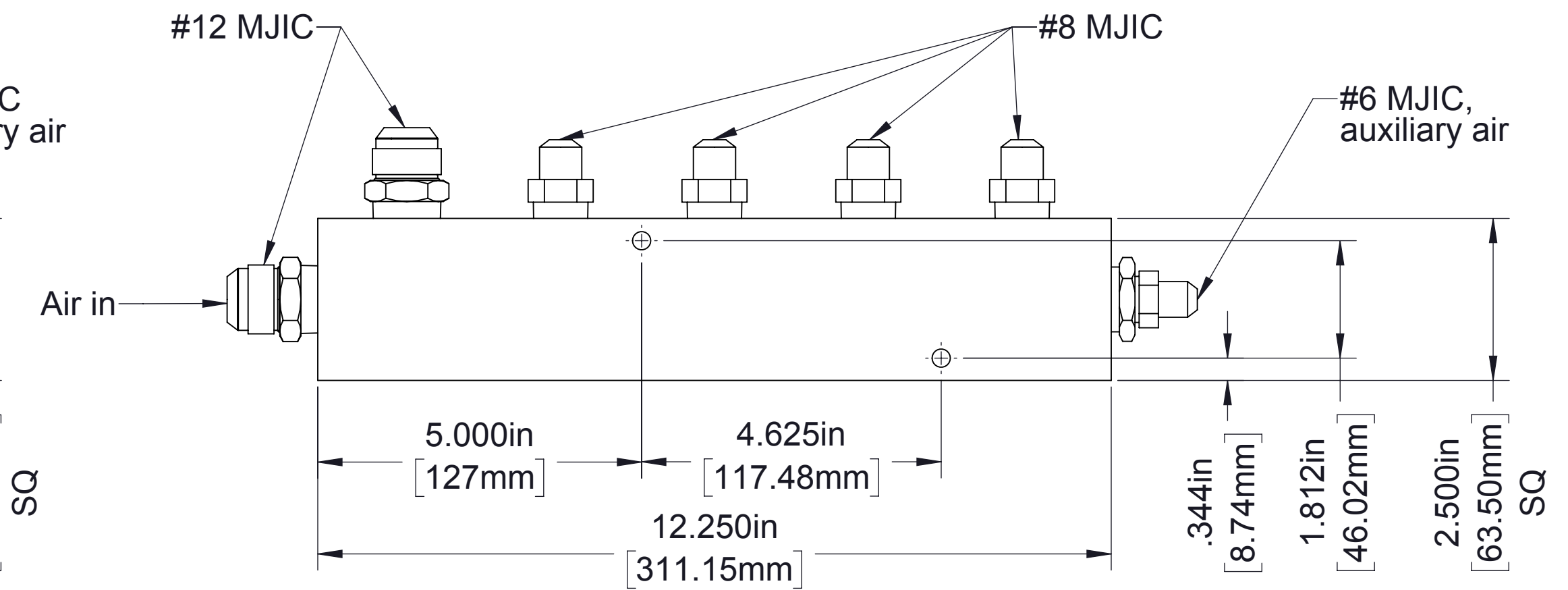
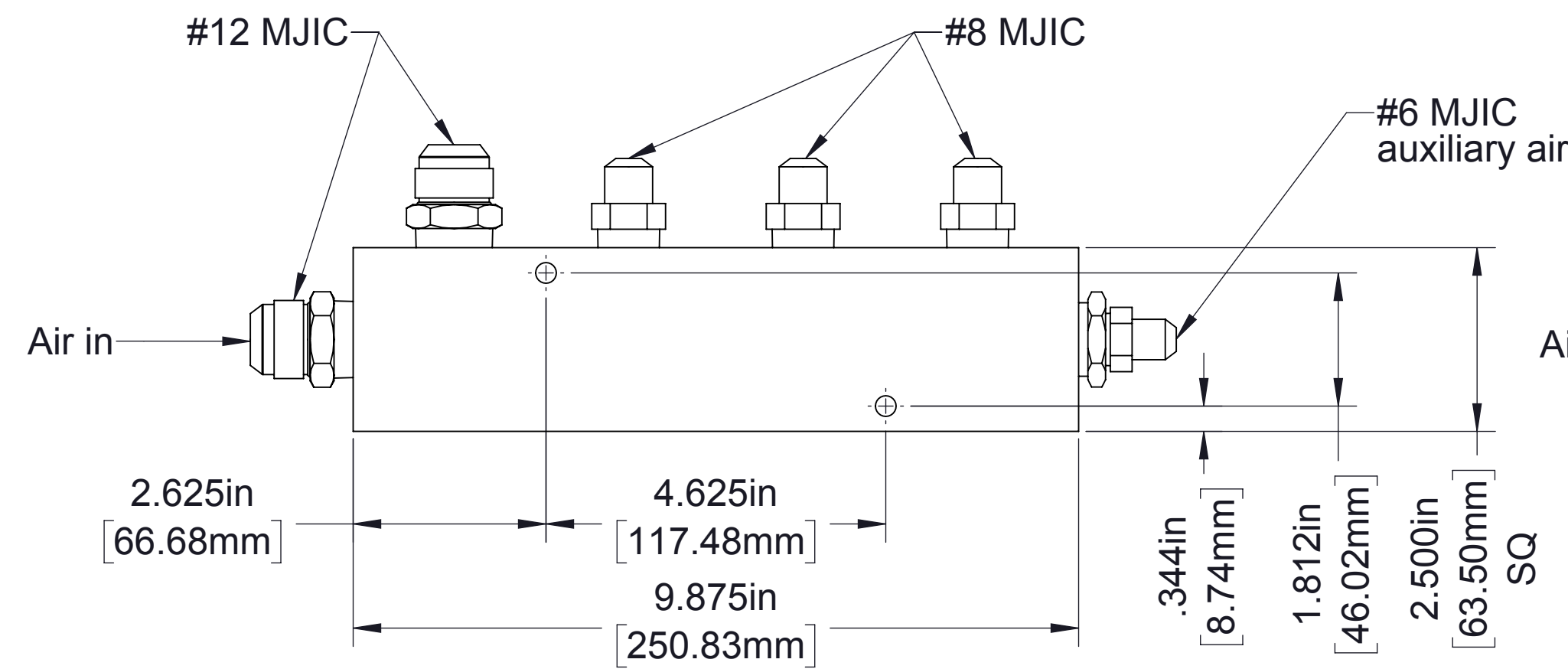
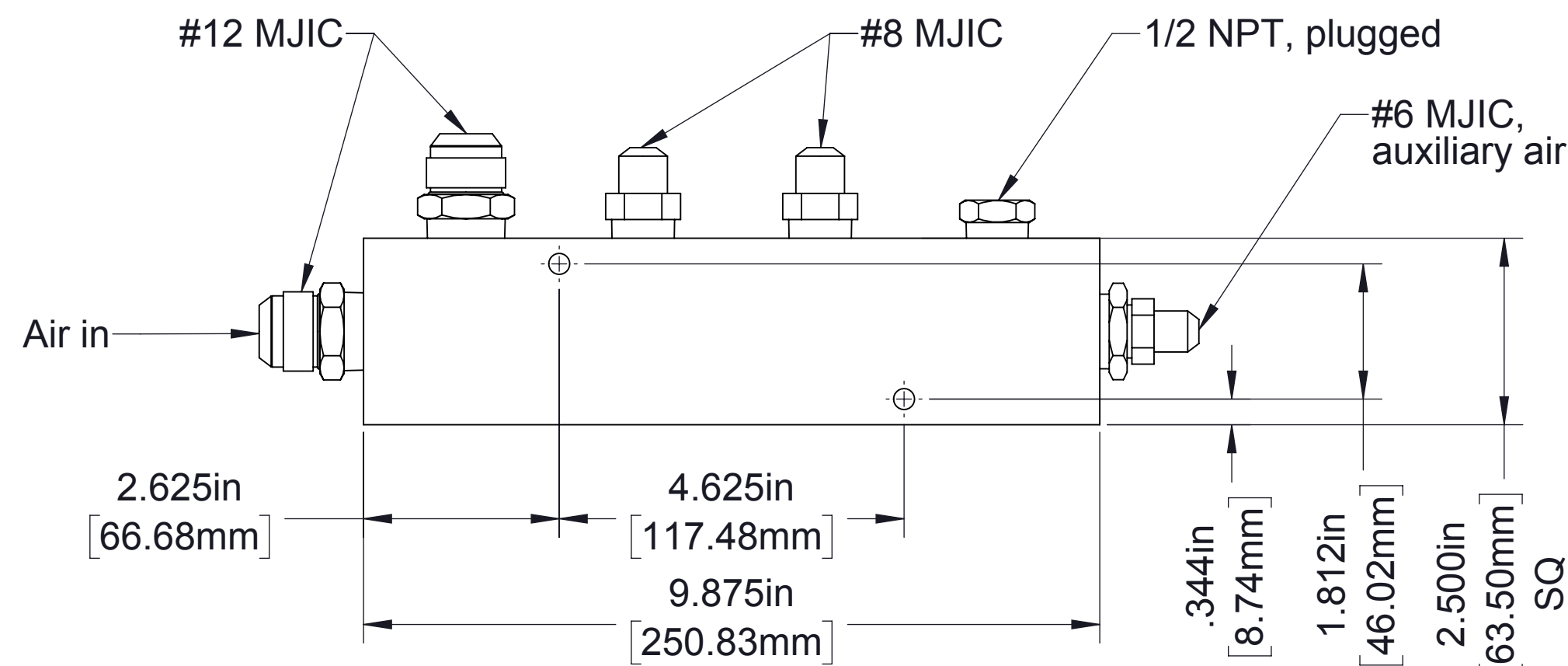
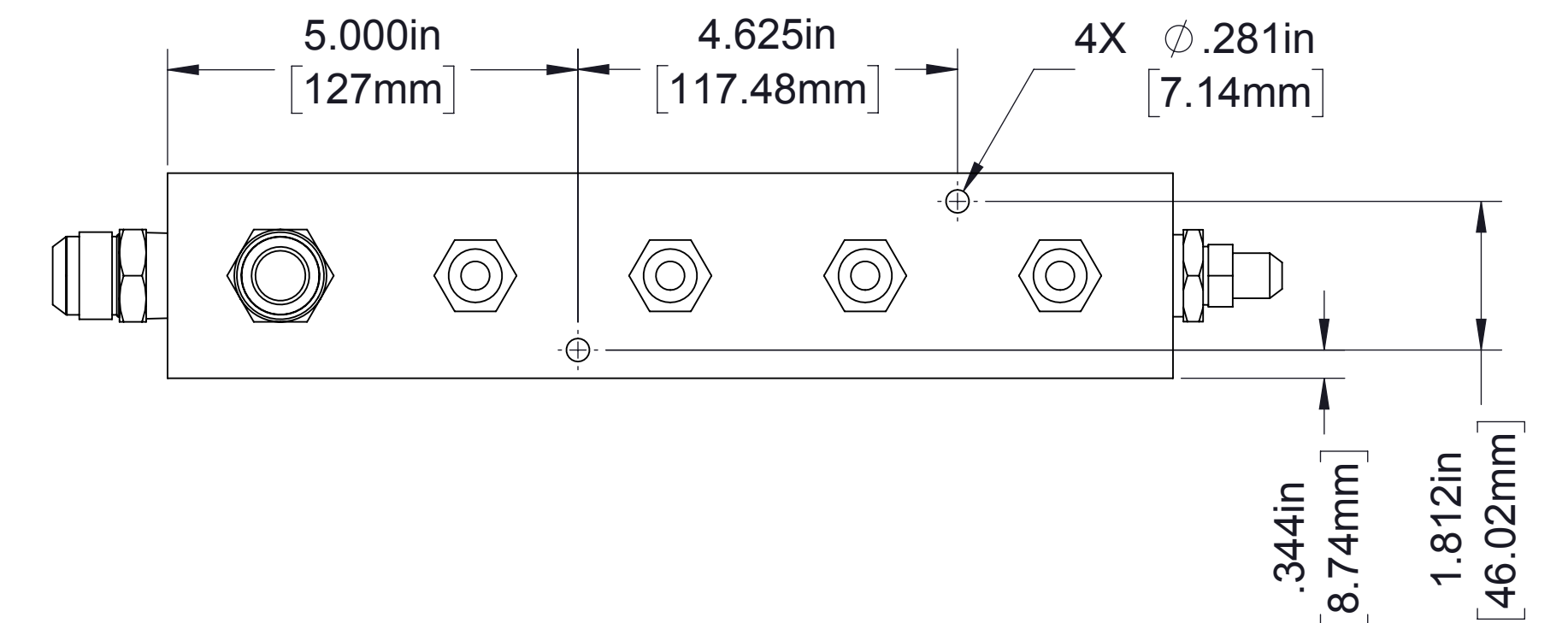
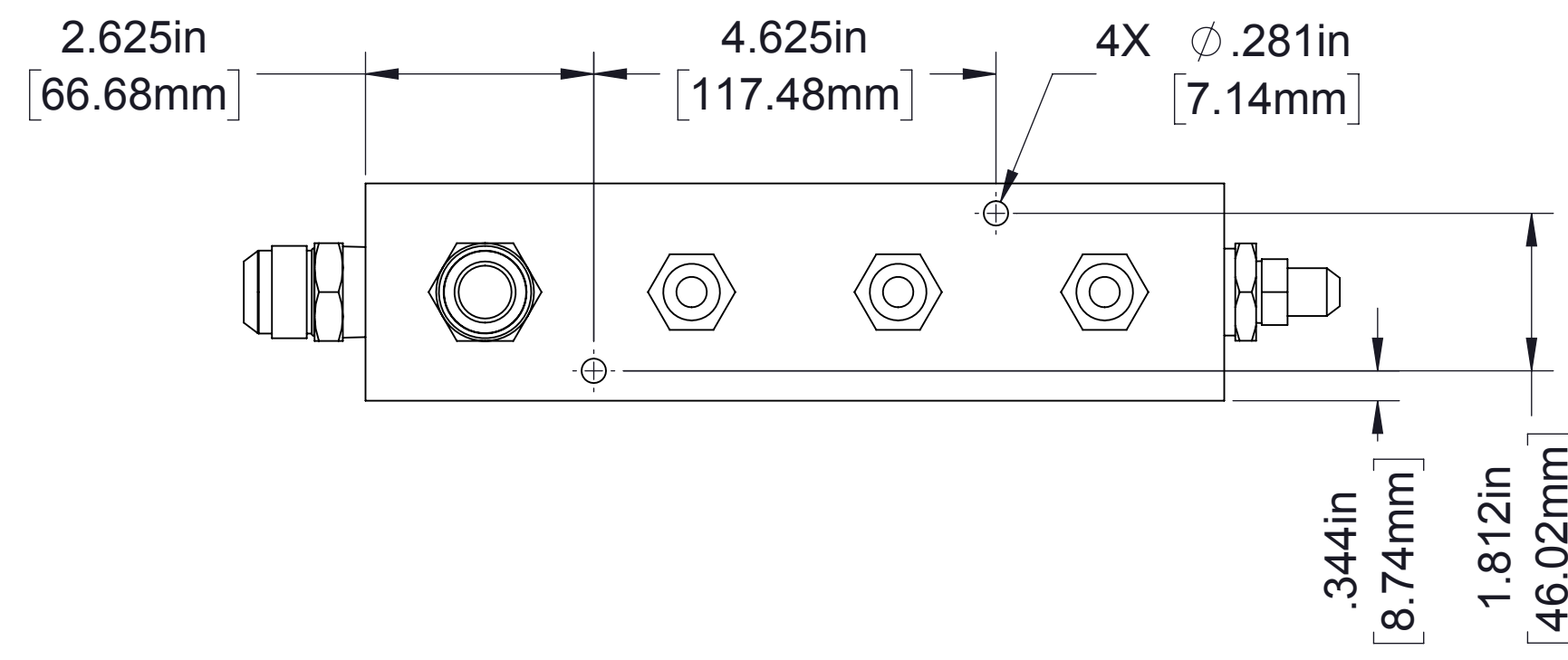
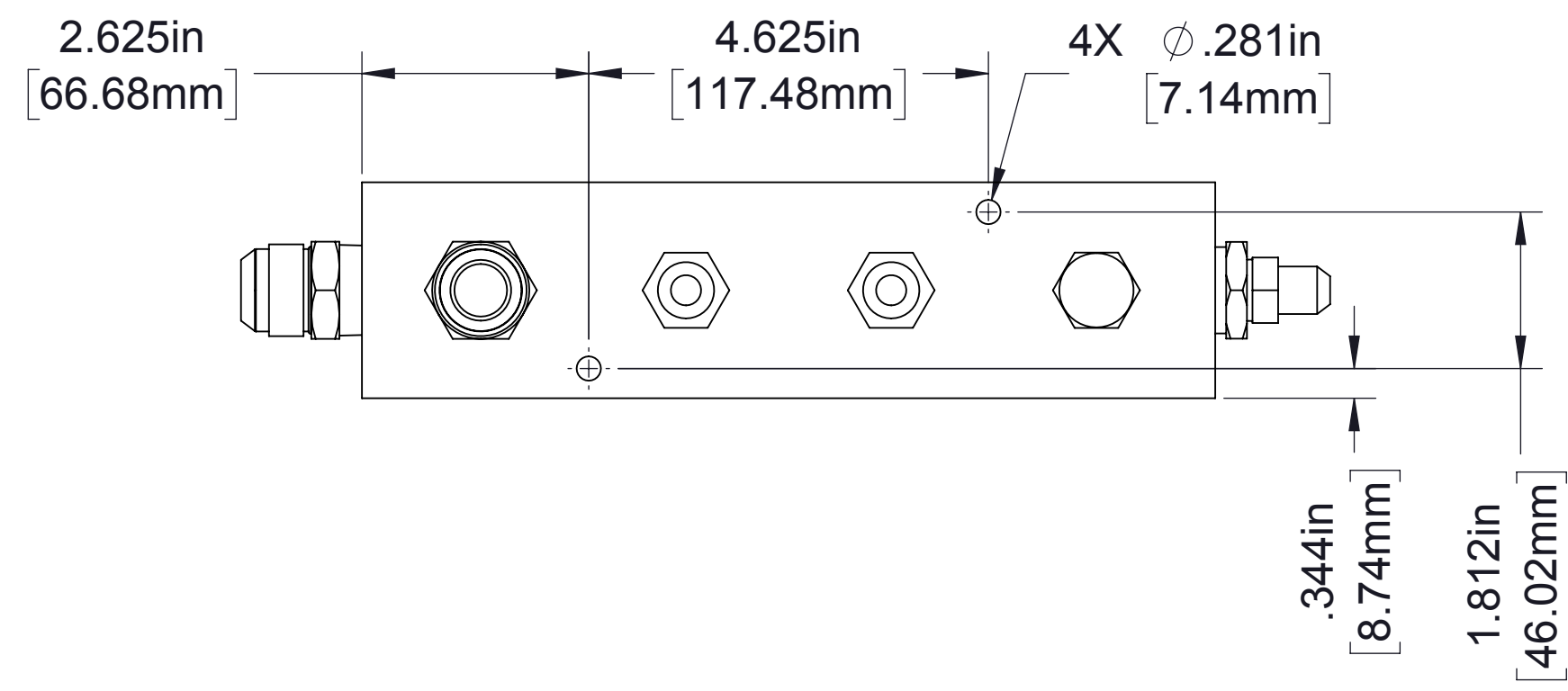
20.118in
[511mm]

Oil in, #8 MJIC



**Optional Air Cooler
(Electric Fan)**

May be used as secondary cooler in conjunction with oil cooler on page 5. Not available as a stand-alone cooler.

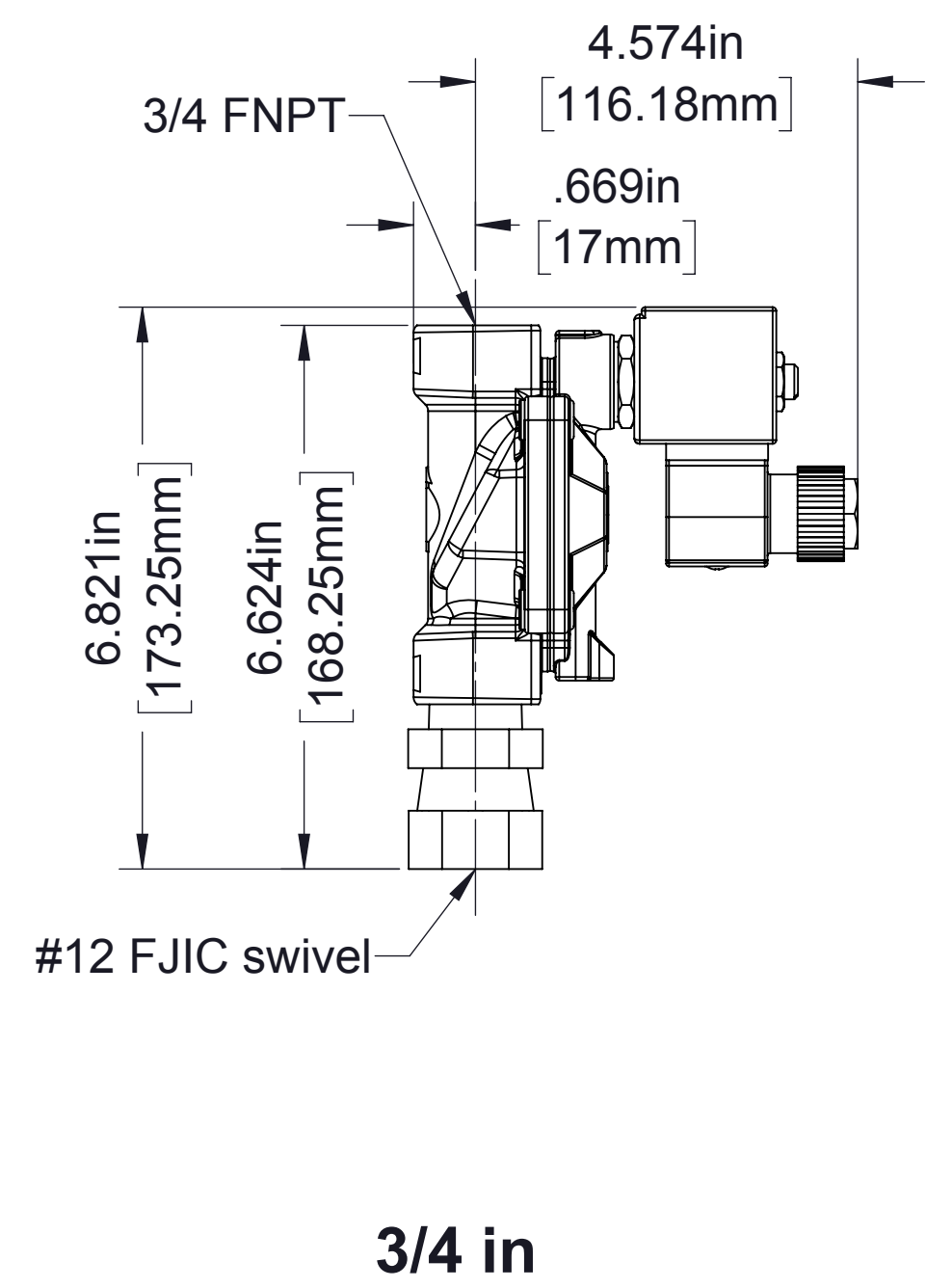
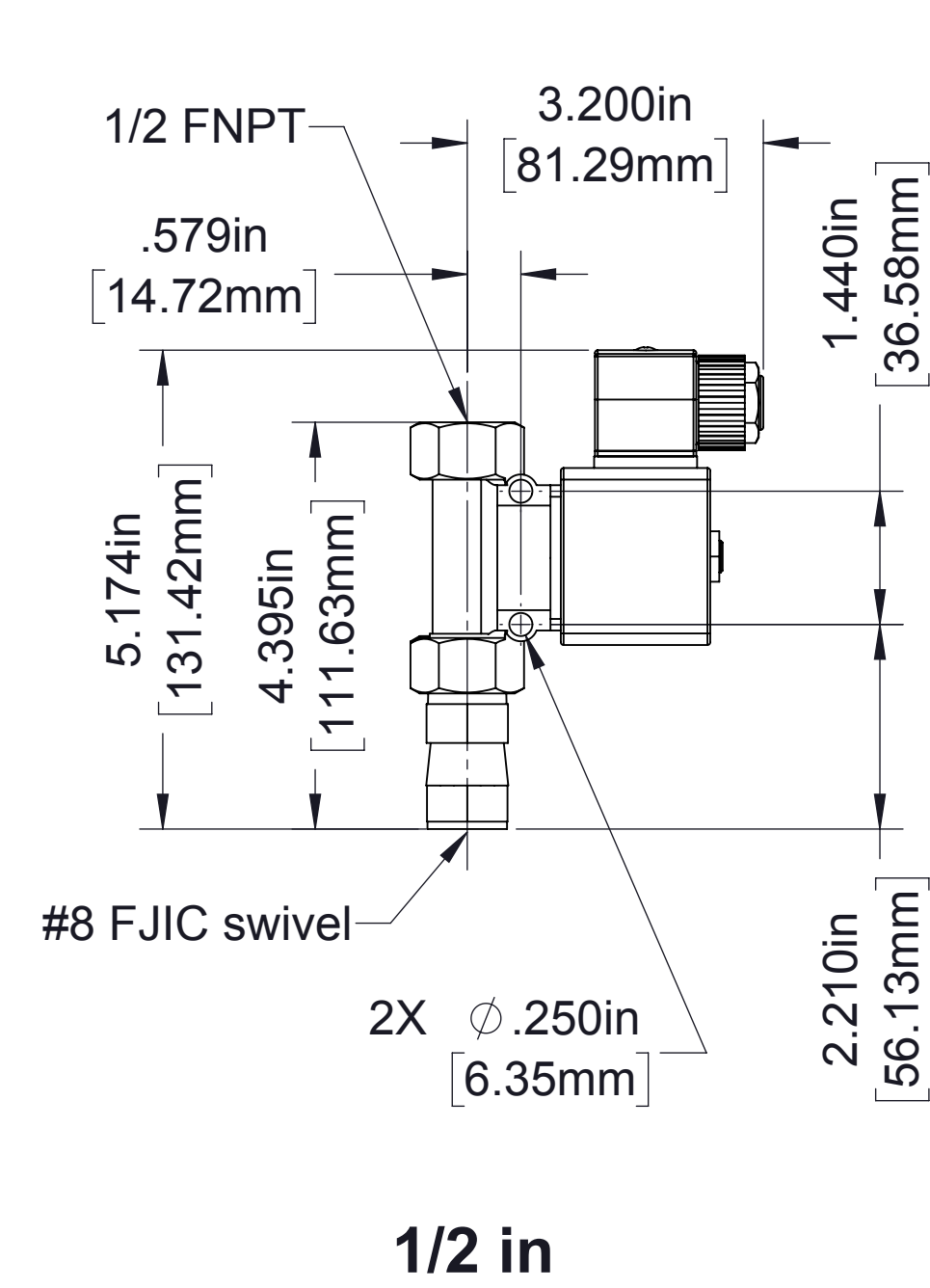


3 Port Manifold,
order part number 83360-1A

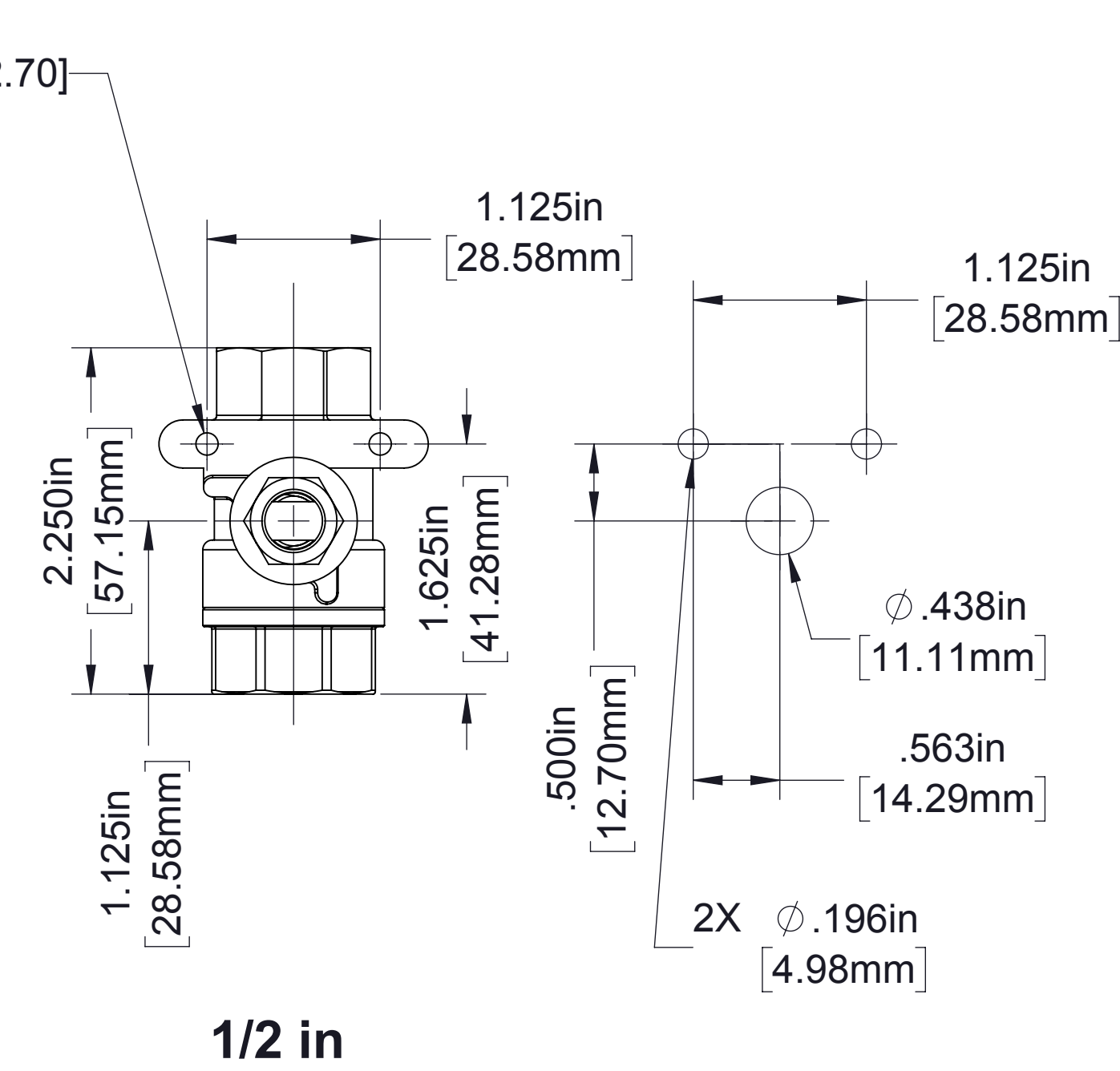
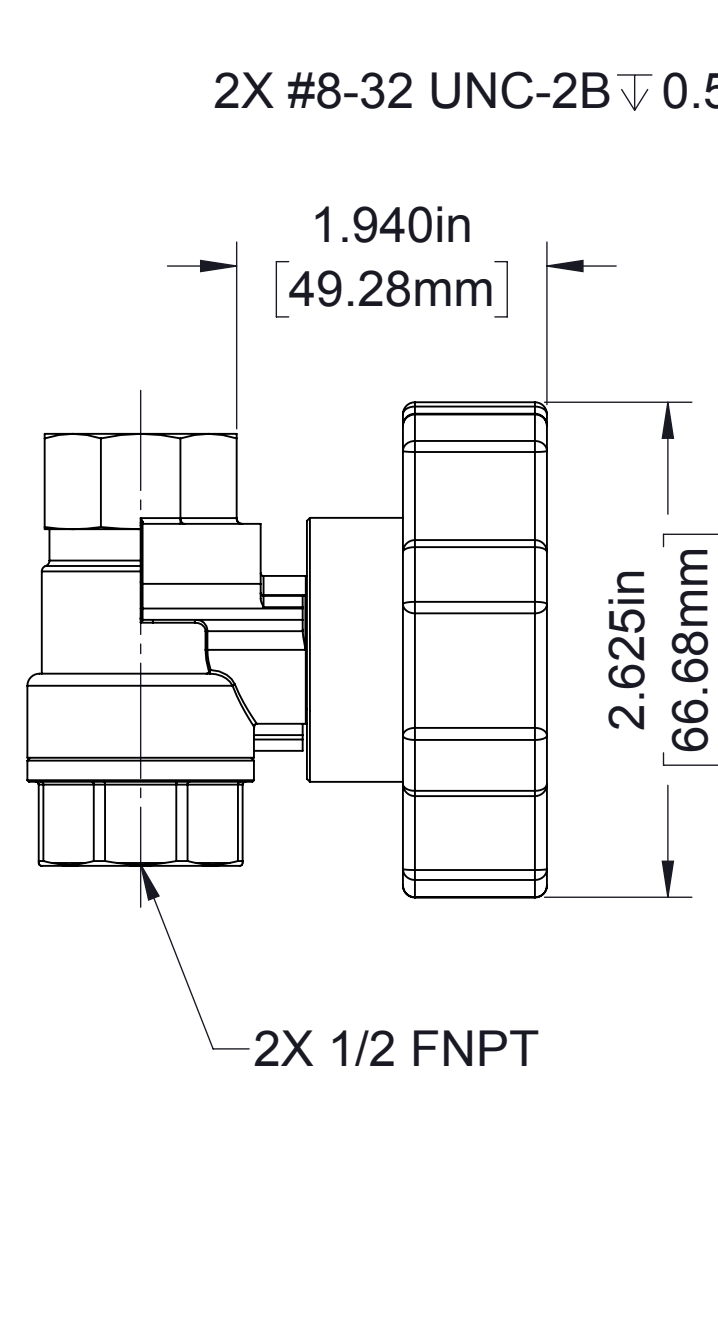
4 Port Manifold,
order part number 83360-1B

5 Port Manifold,
order part number 83360-1C

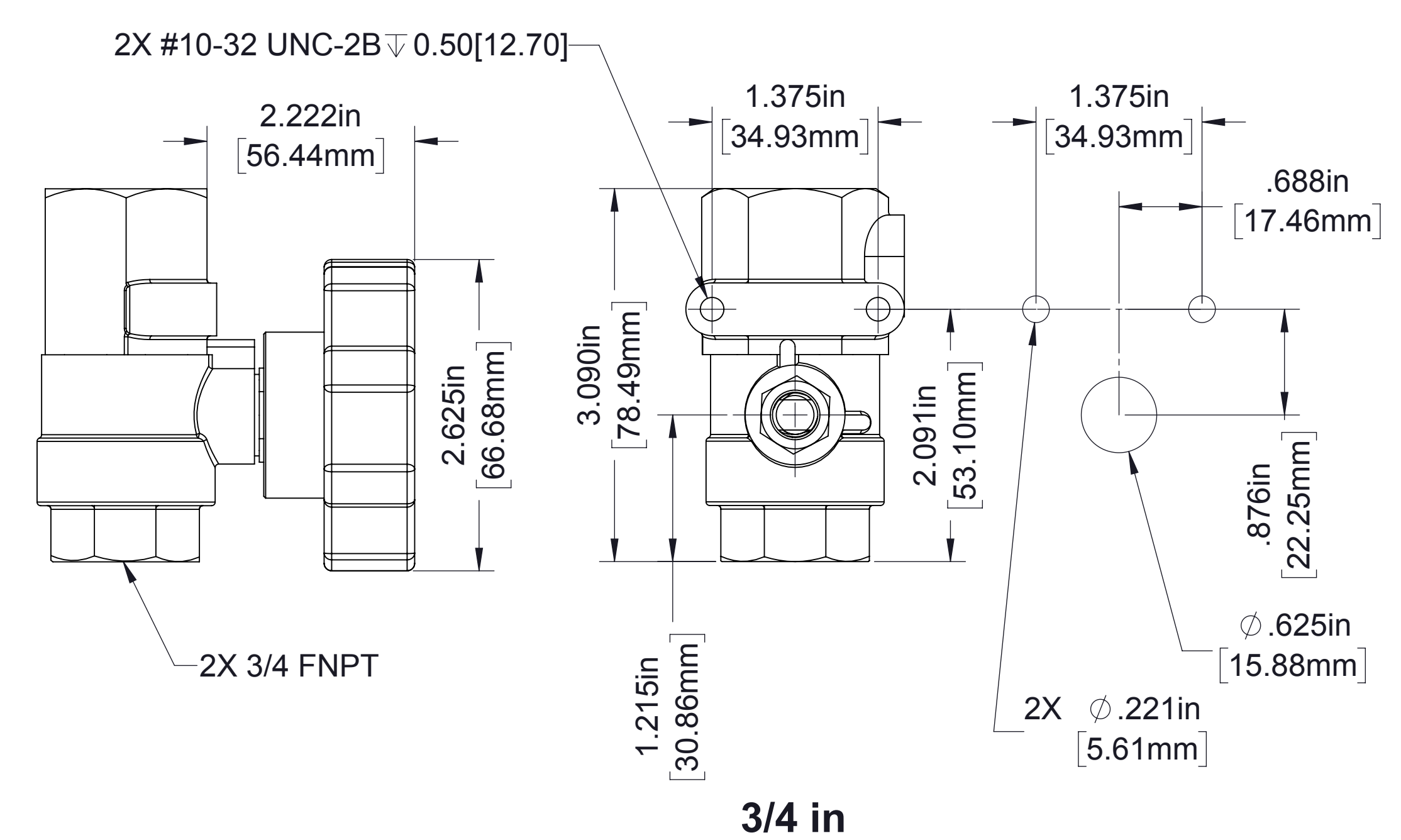
Optional Air Distribution Manifold



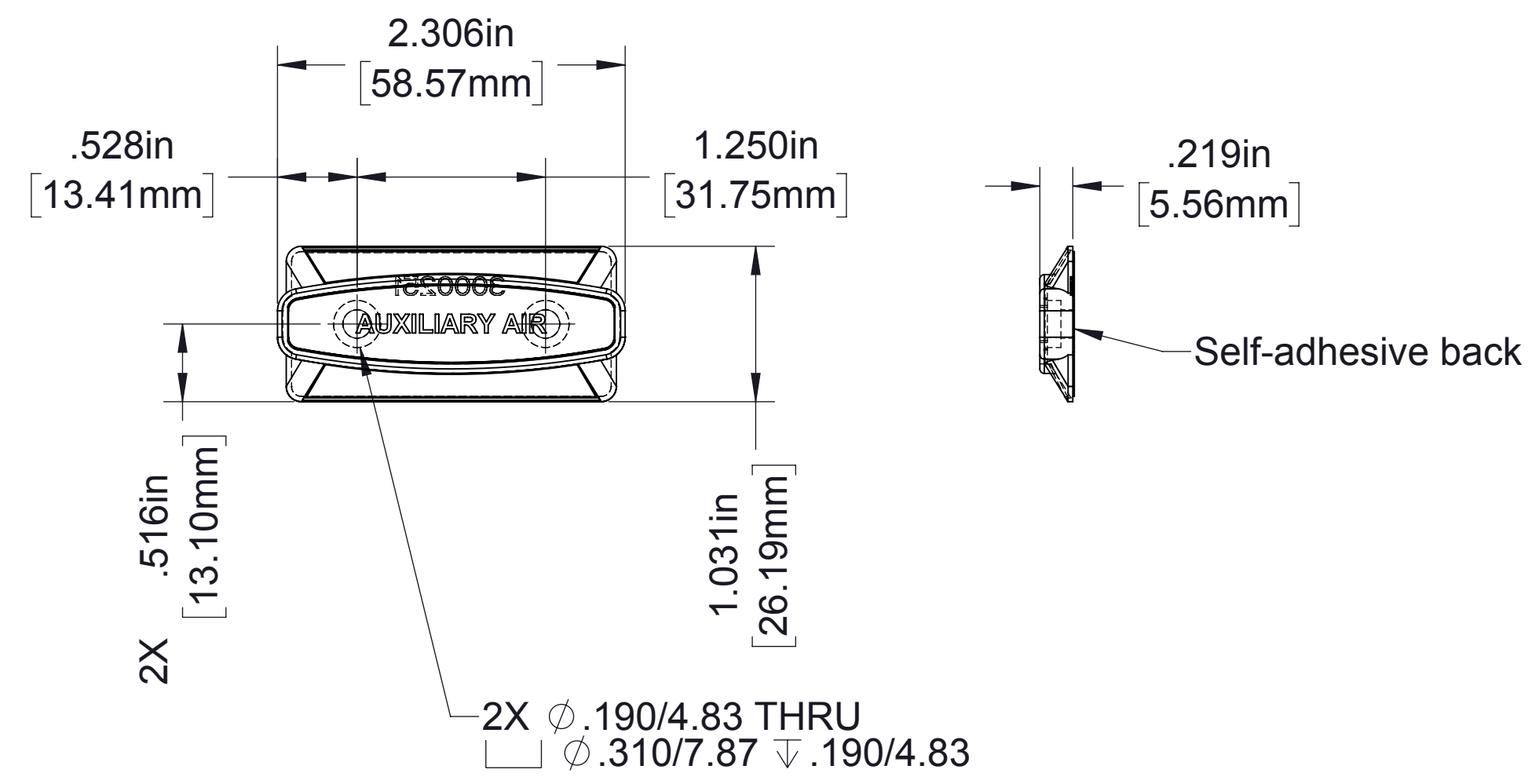
Electric



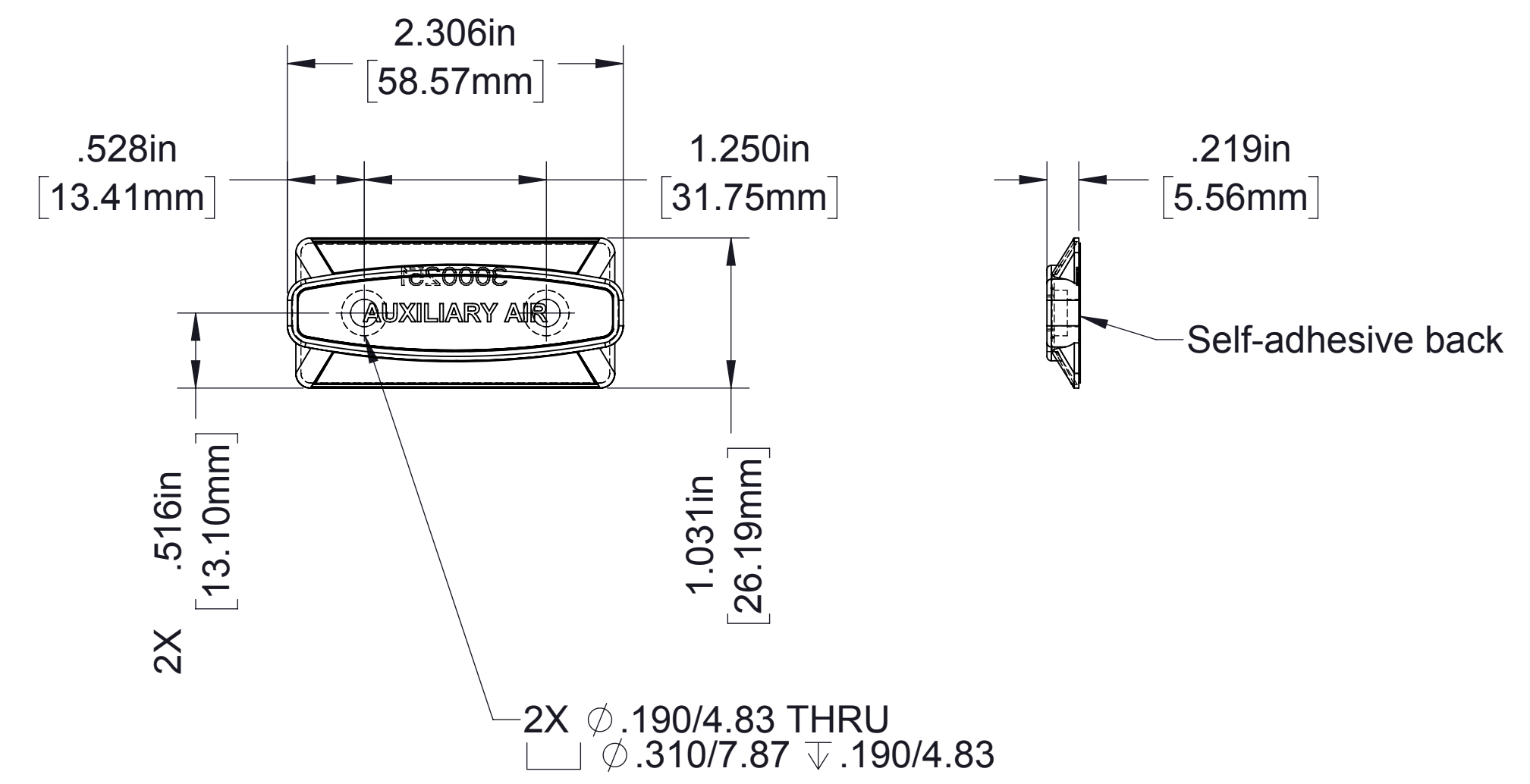
Manual



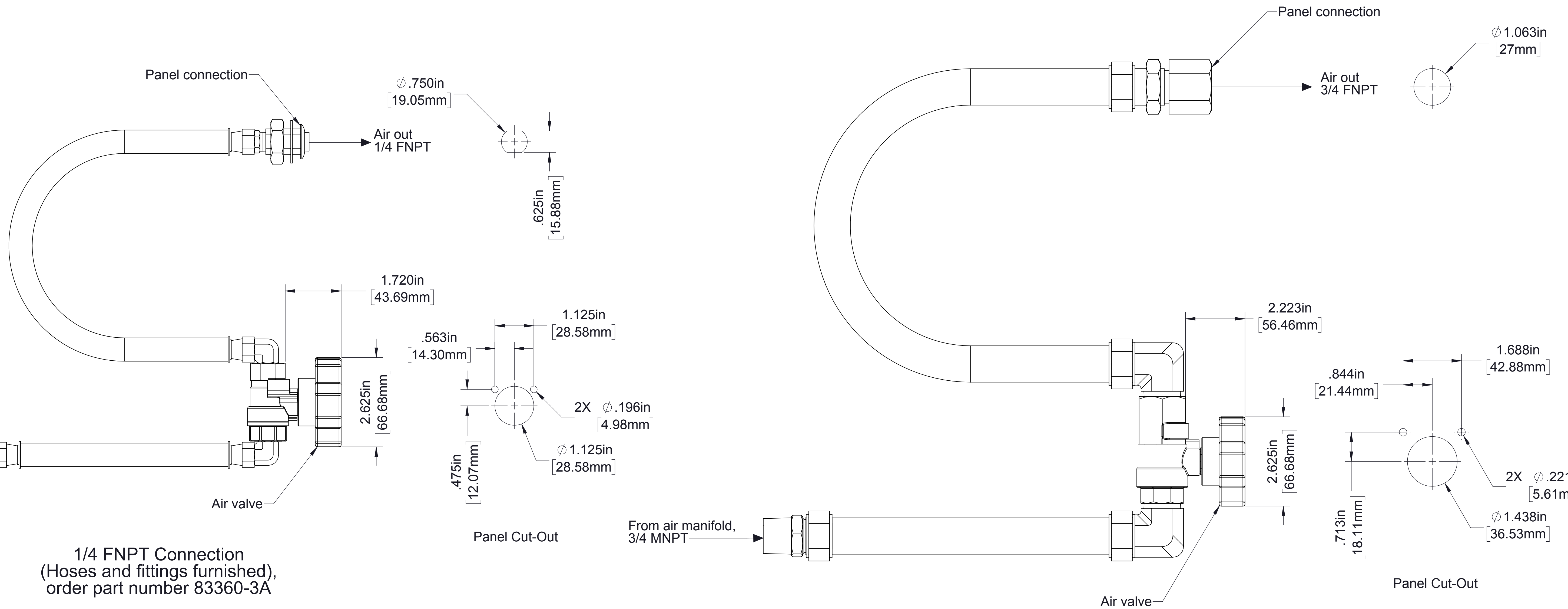
Optional Air Valves



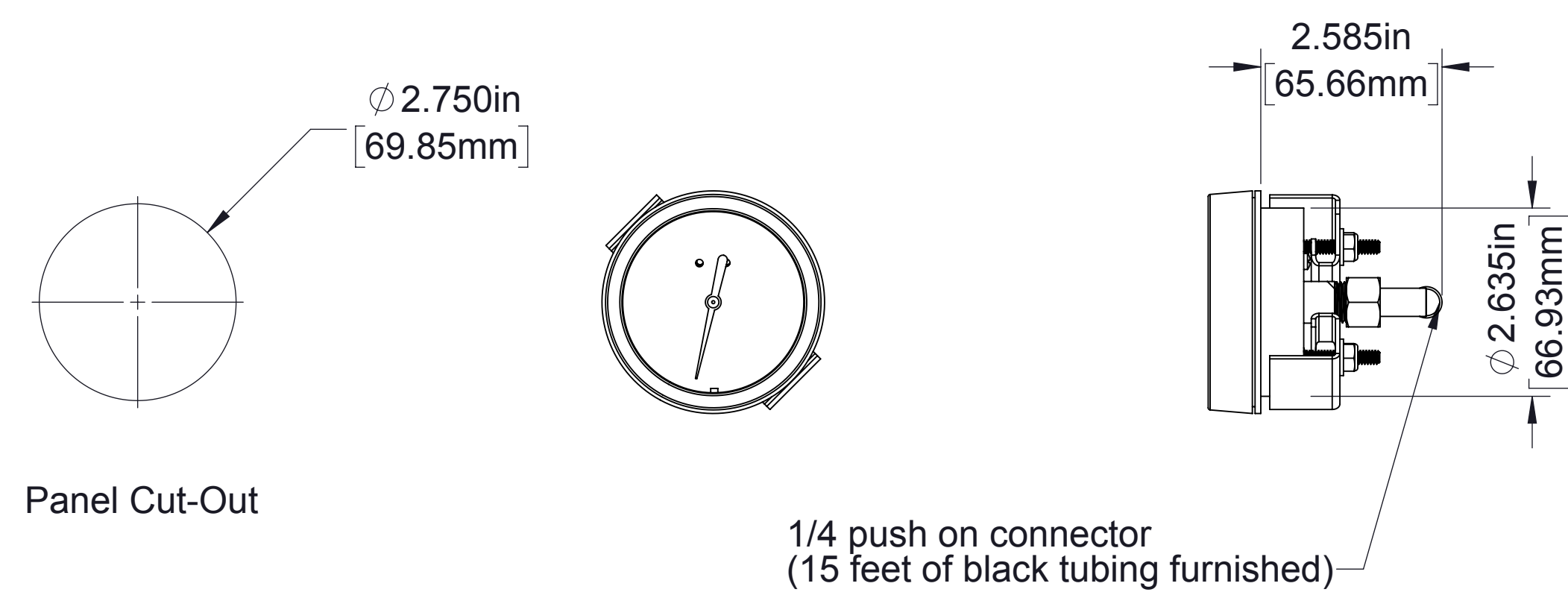
Label



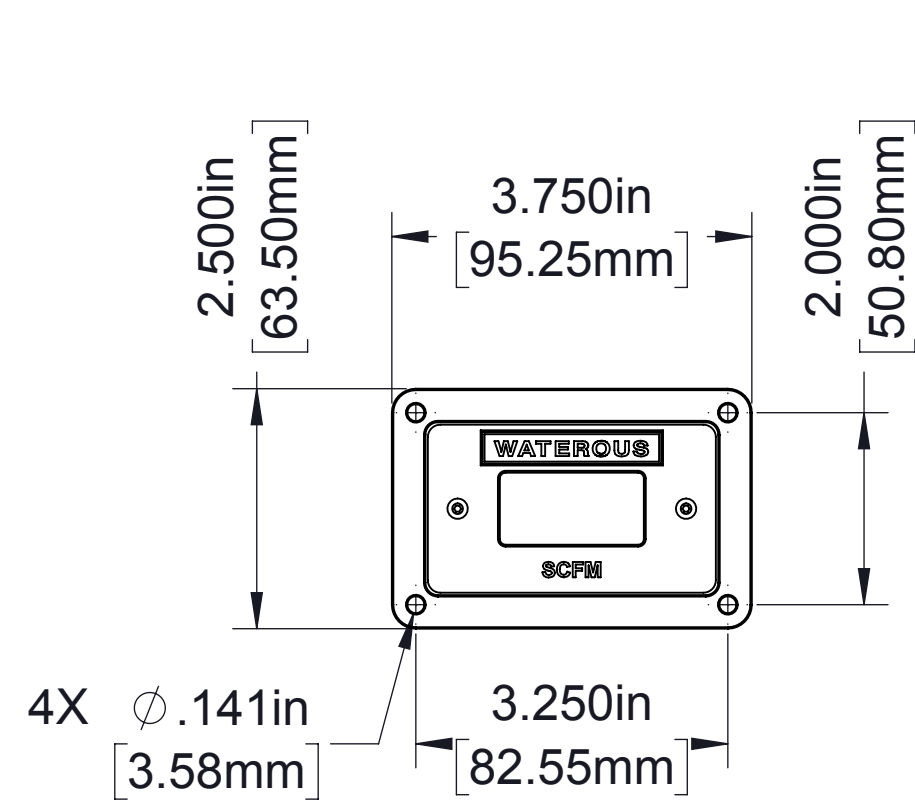
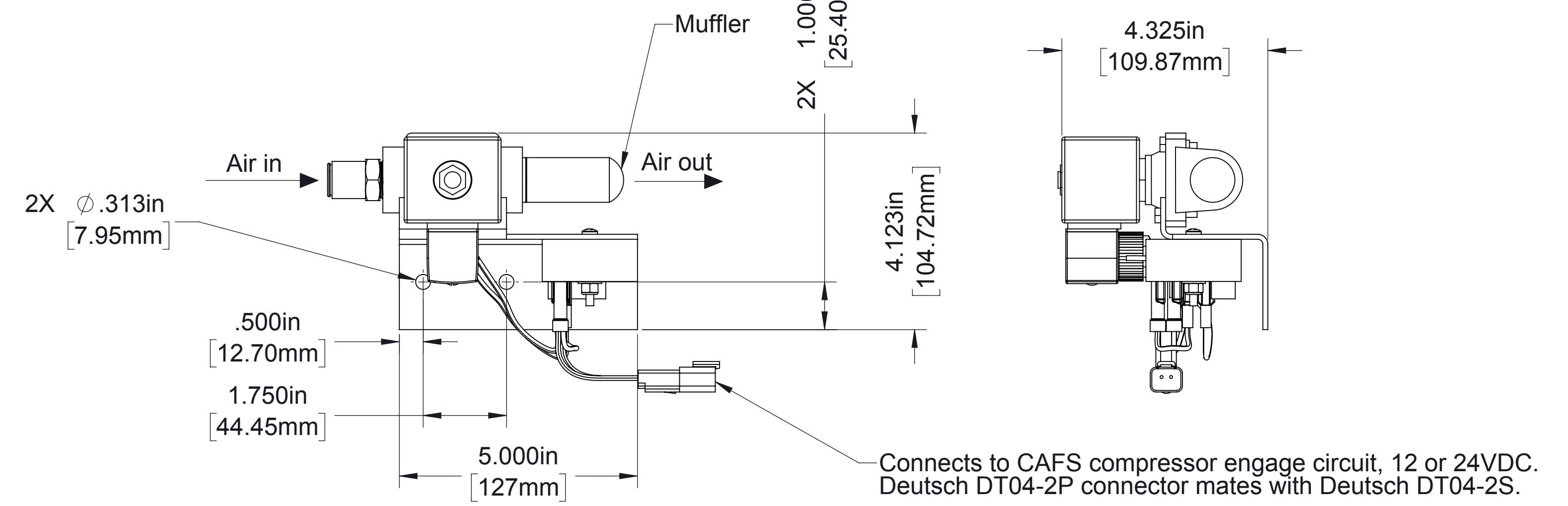
Label



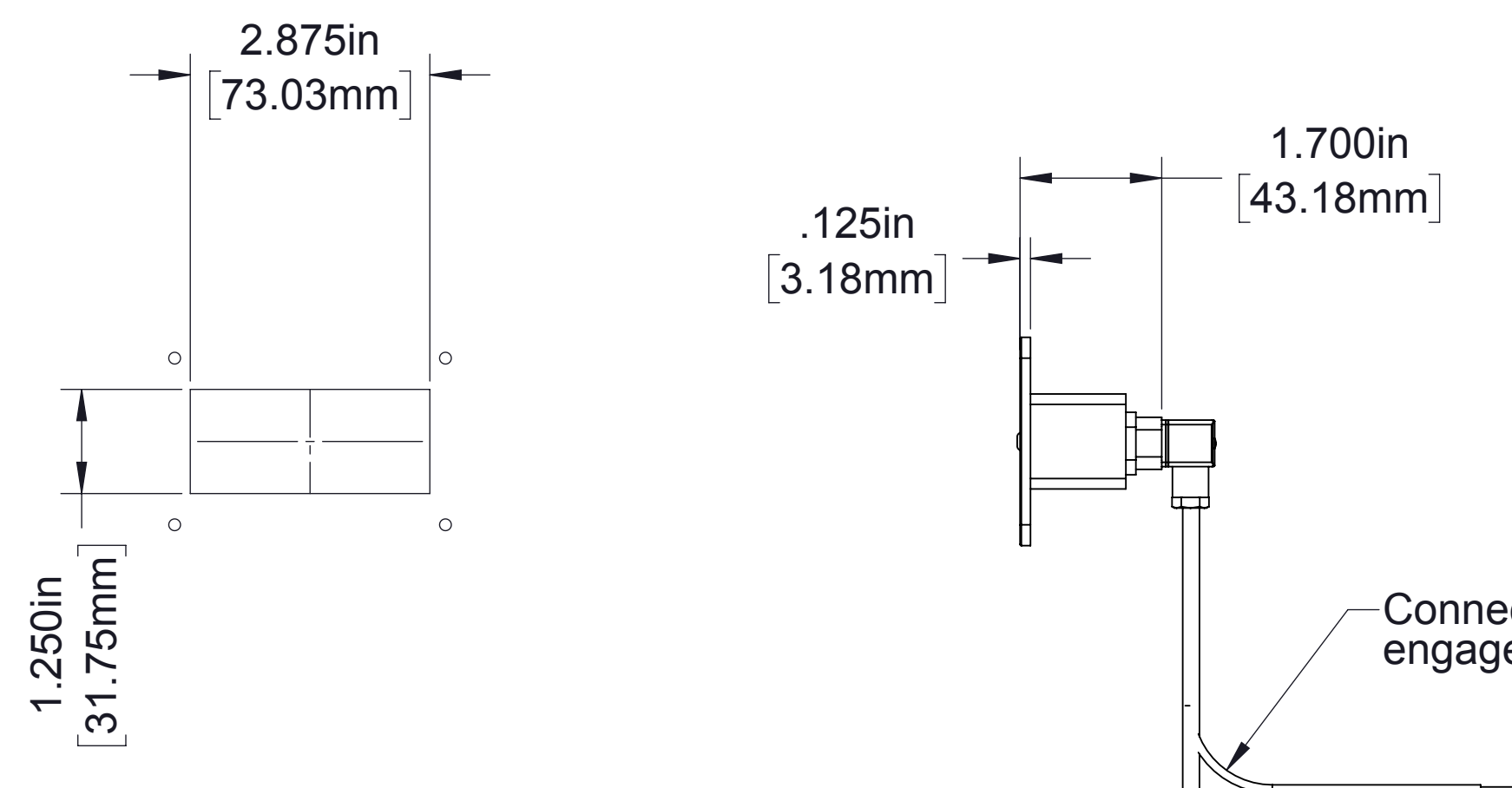
Optional Auxiliary Air Connection



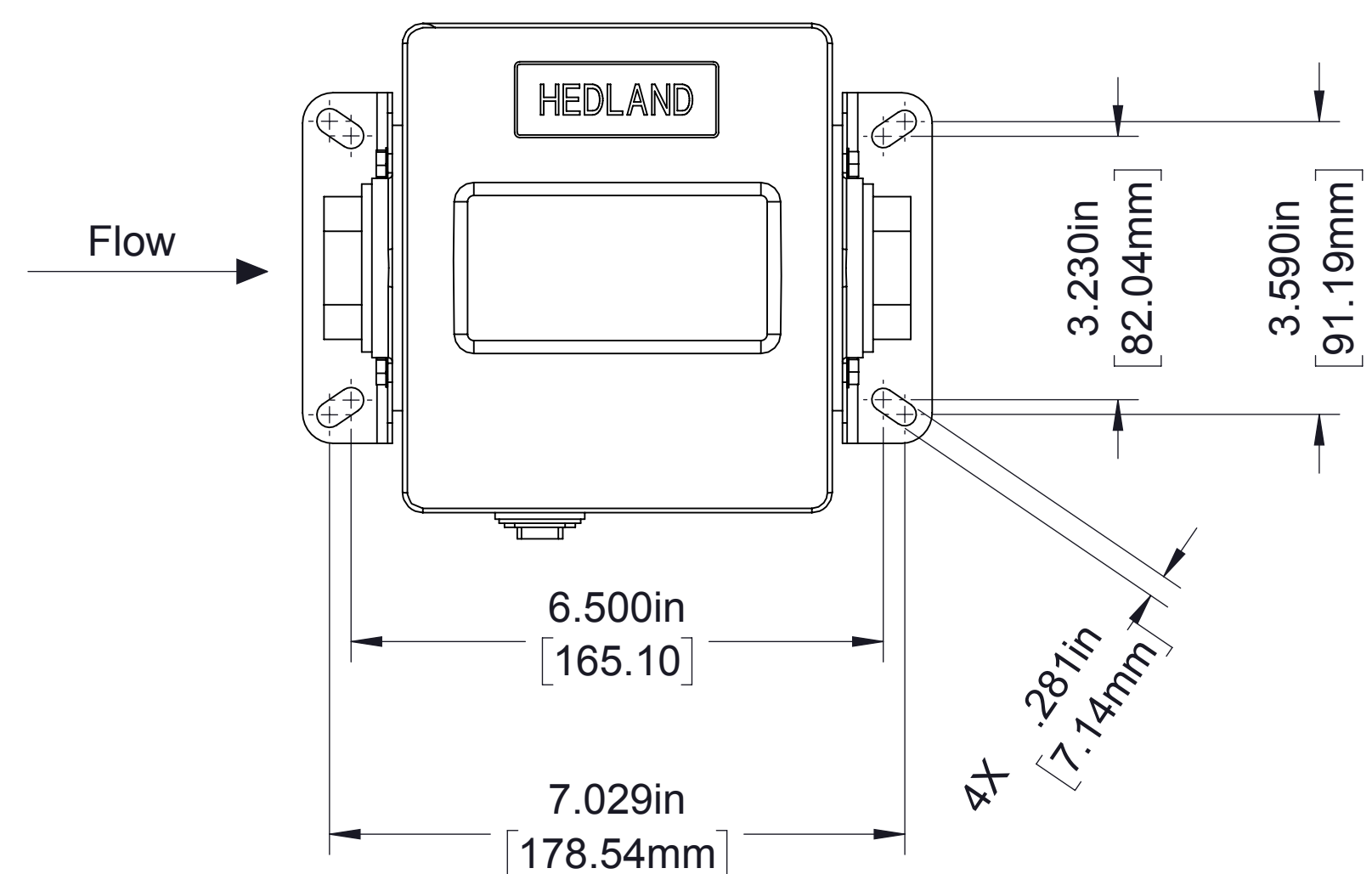
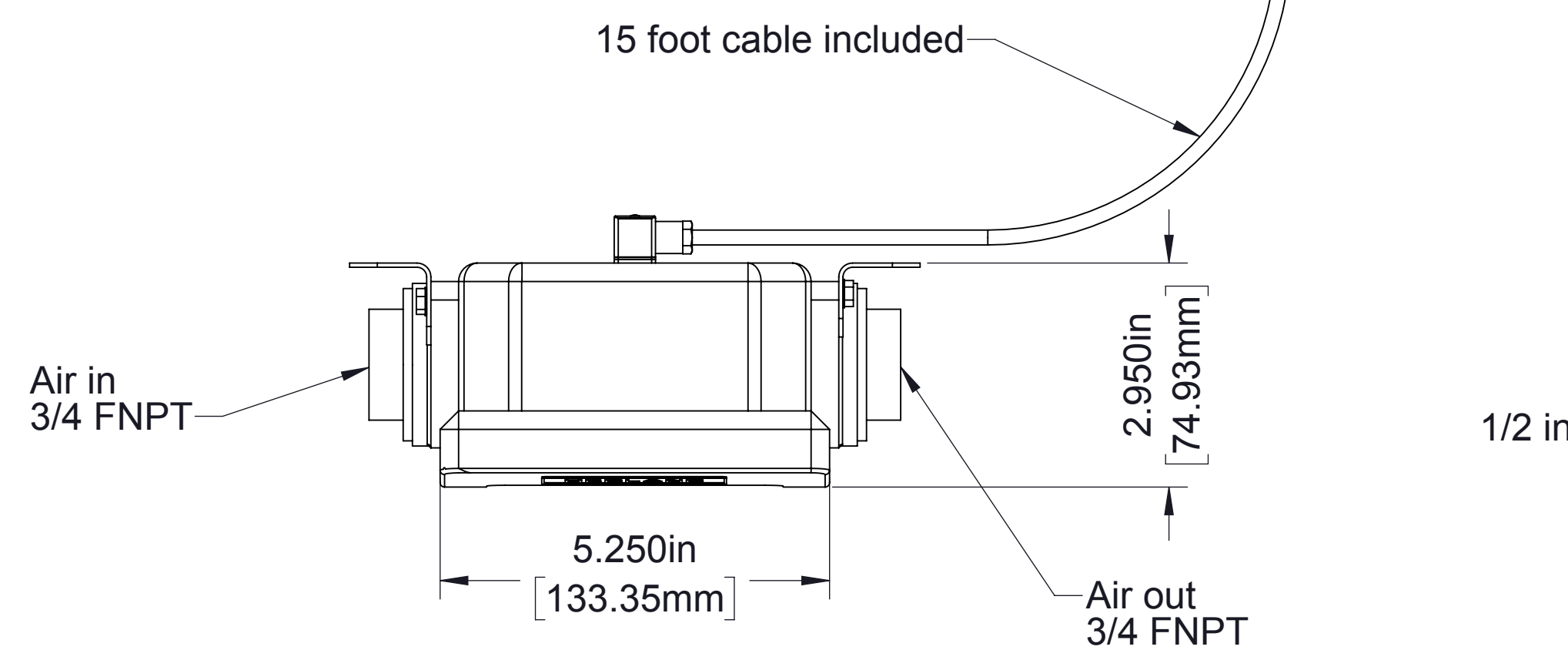
Optional Air Pressure Gauge
 Single Mpa scale order part number 83417-1A
 Dual PSI/Kpa scale order part number 83417-1B



Air Flow Digital Display

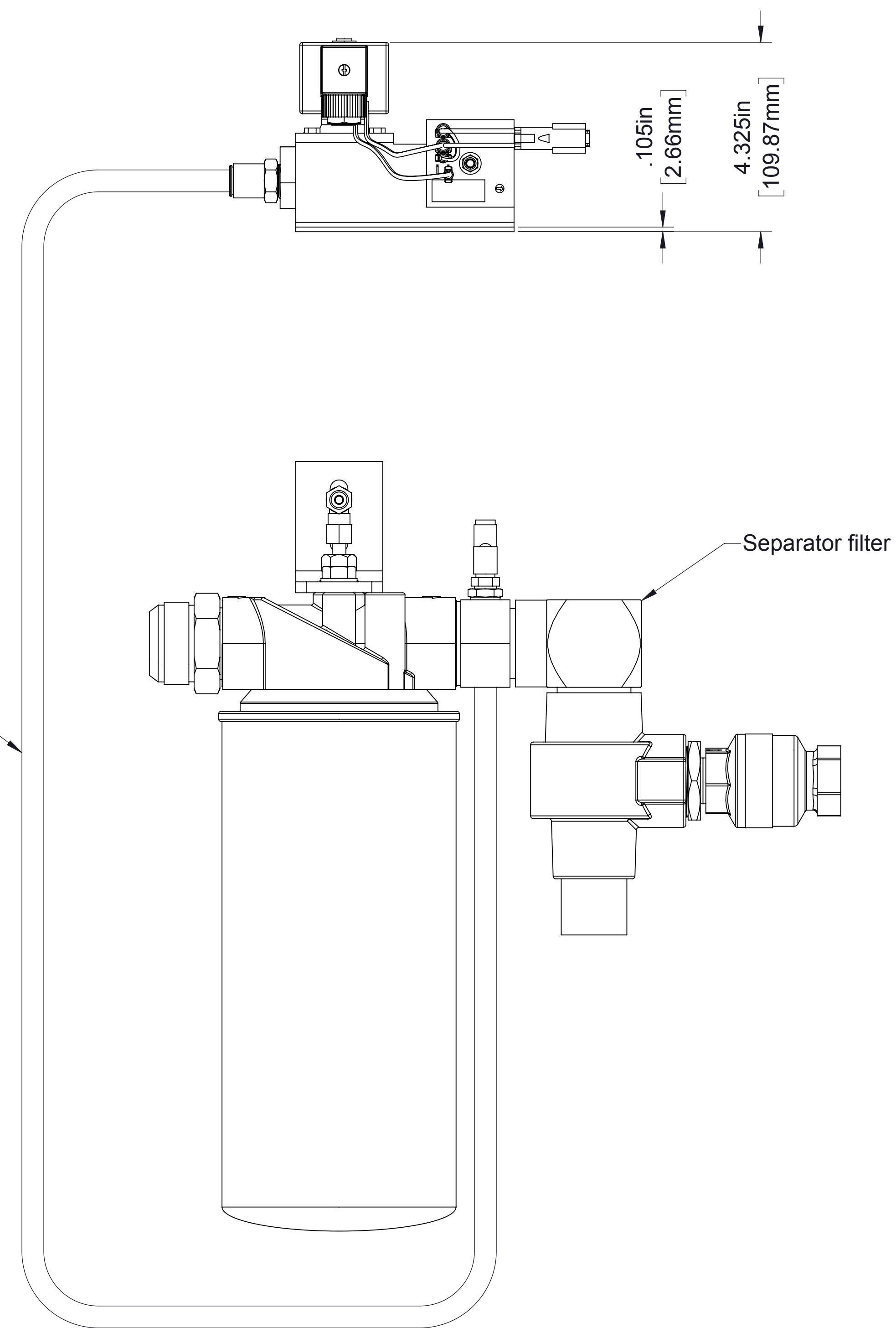


Panel Cut-Out



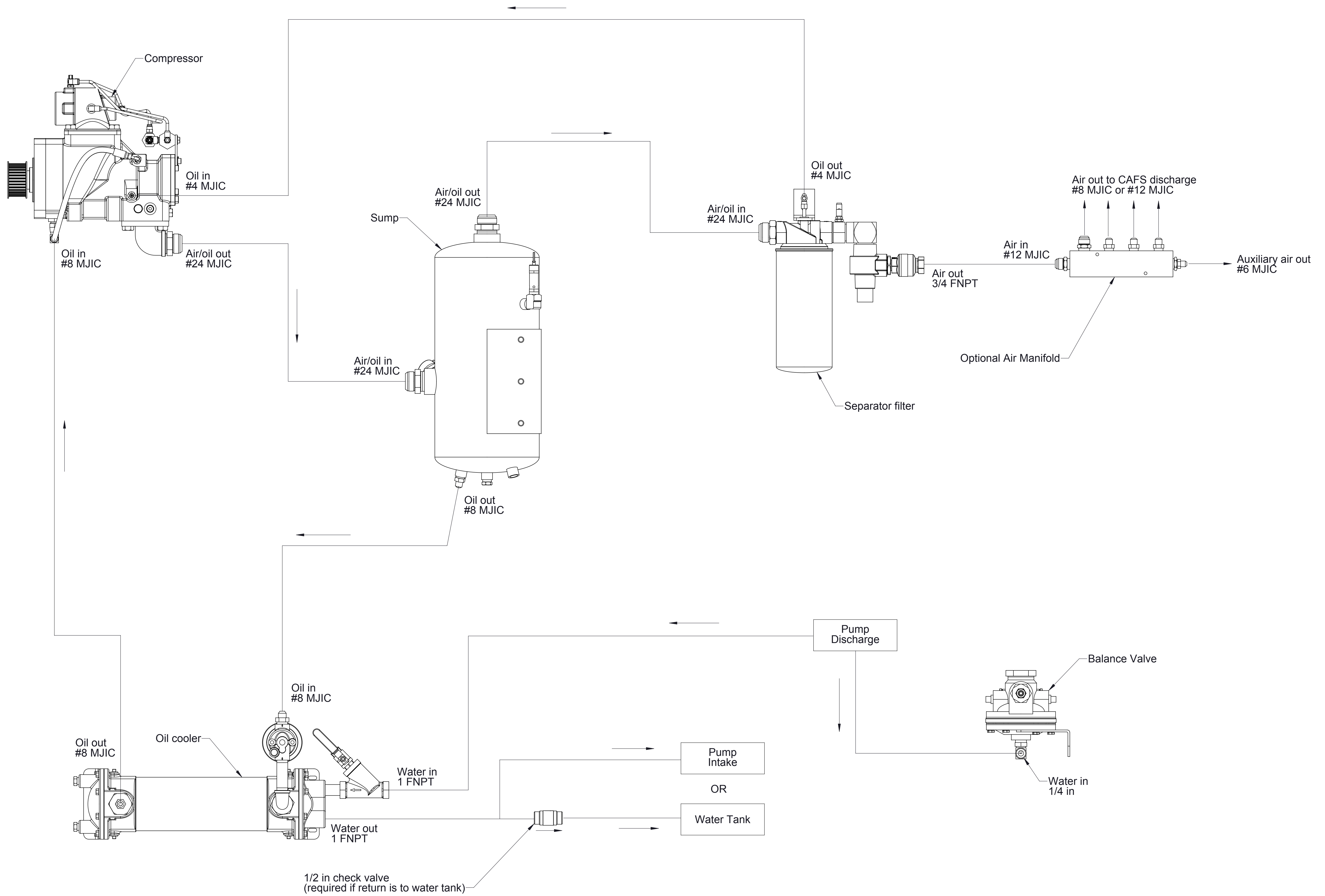
Air Flow Meter

Optional Digital Air Flow Meter
 Order part number Q-0390024 (12V)

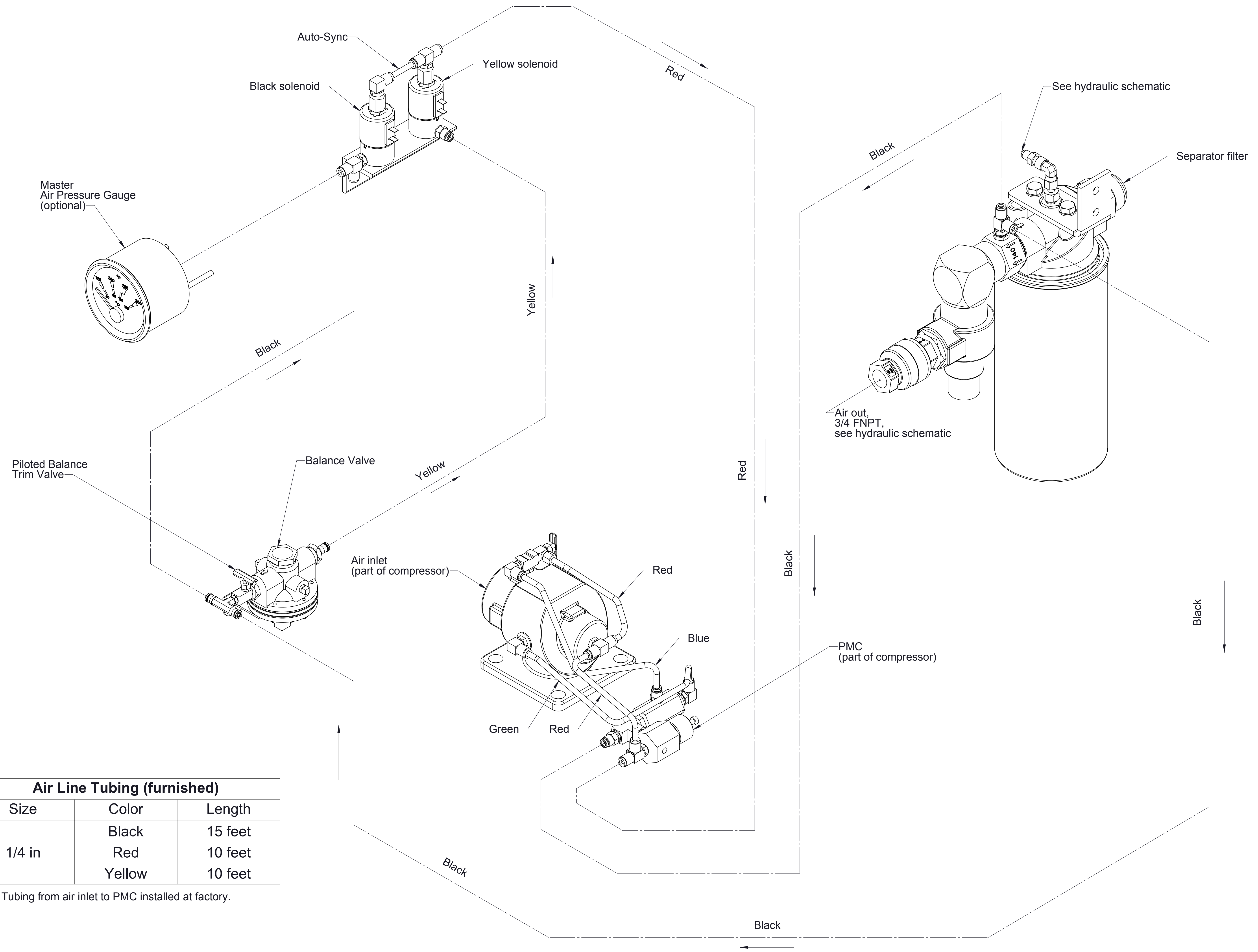


Sump Vent

Vents compressor pressure for 10 seconds at start-up to prevent engine stalling. order part number 83293-2A (12V) or 83293-2B (24V).



Hydraulic Schematic

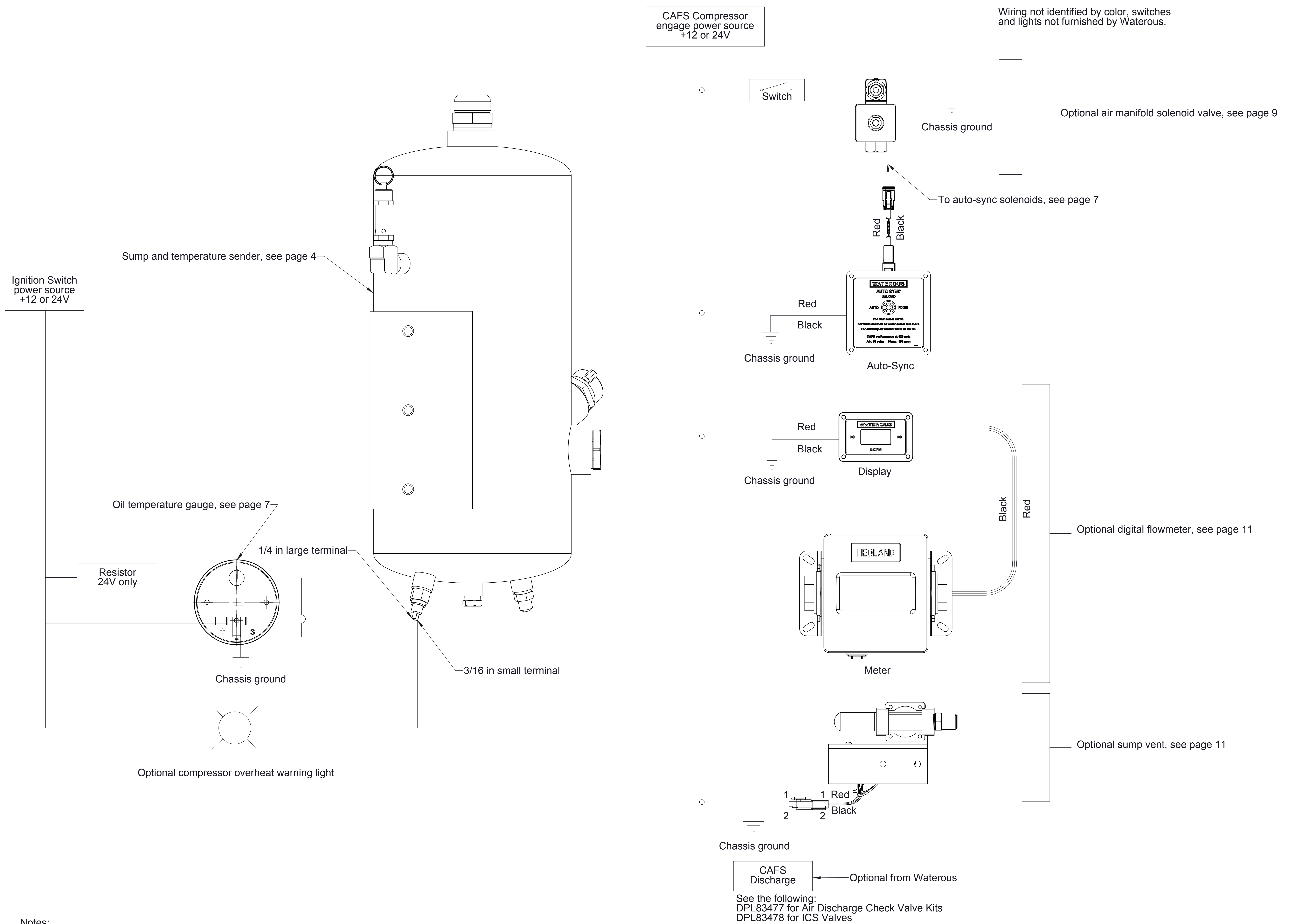


Air Line Tubing (furnished)		
Size	Color	Length
1/4 in	Black	15 feet
	Red	10 feet
	Yellow	10 feet

Note: Tubing from air inlet to PMC installed at factory.

----- Installed by OEM

Air Circuit Schematic



- Notes:
1. Wiring and light not furnished by Waterous.
 2. All wire 16 gauge unless noted otherwise.

See the following:
 DPL83477 for Air Discharge Check Valve Kits
 DPL83478 for ICS Valves