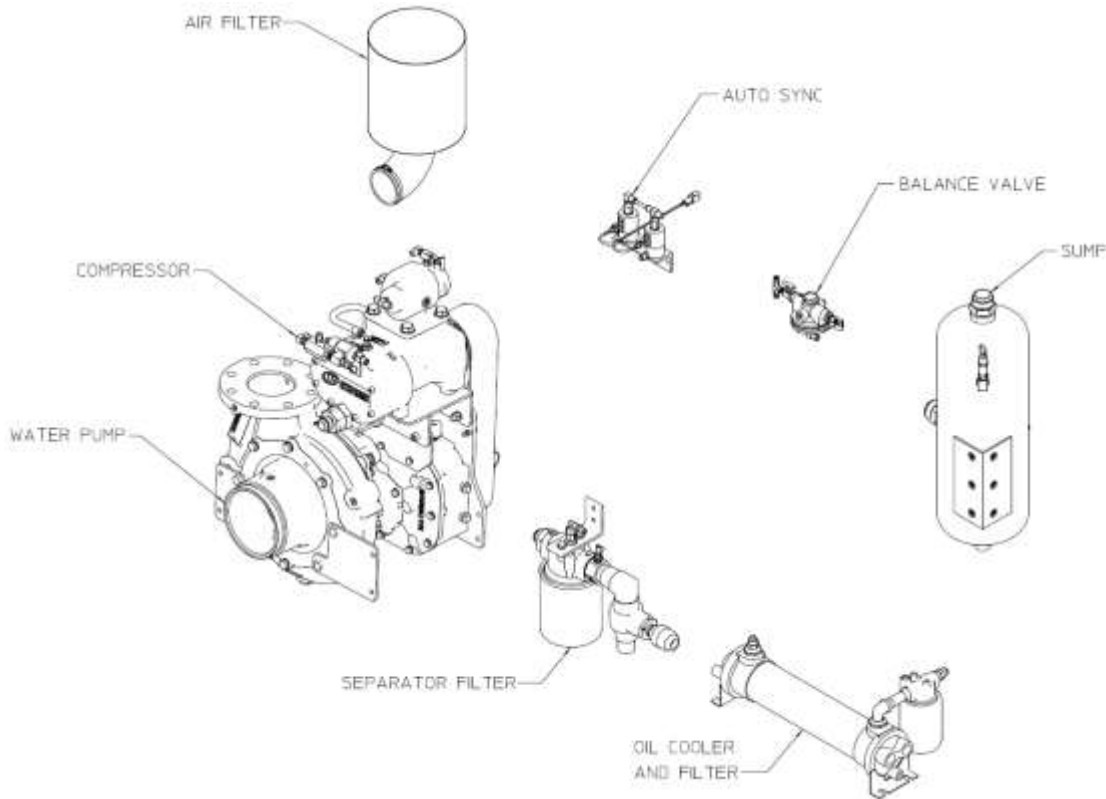
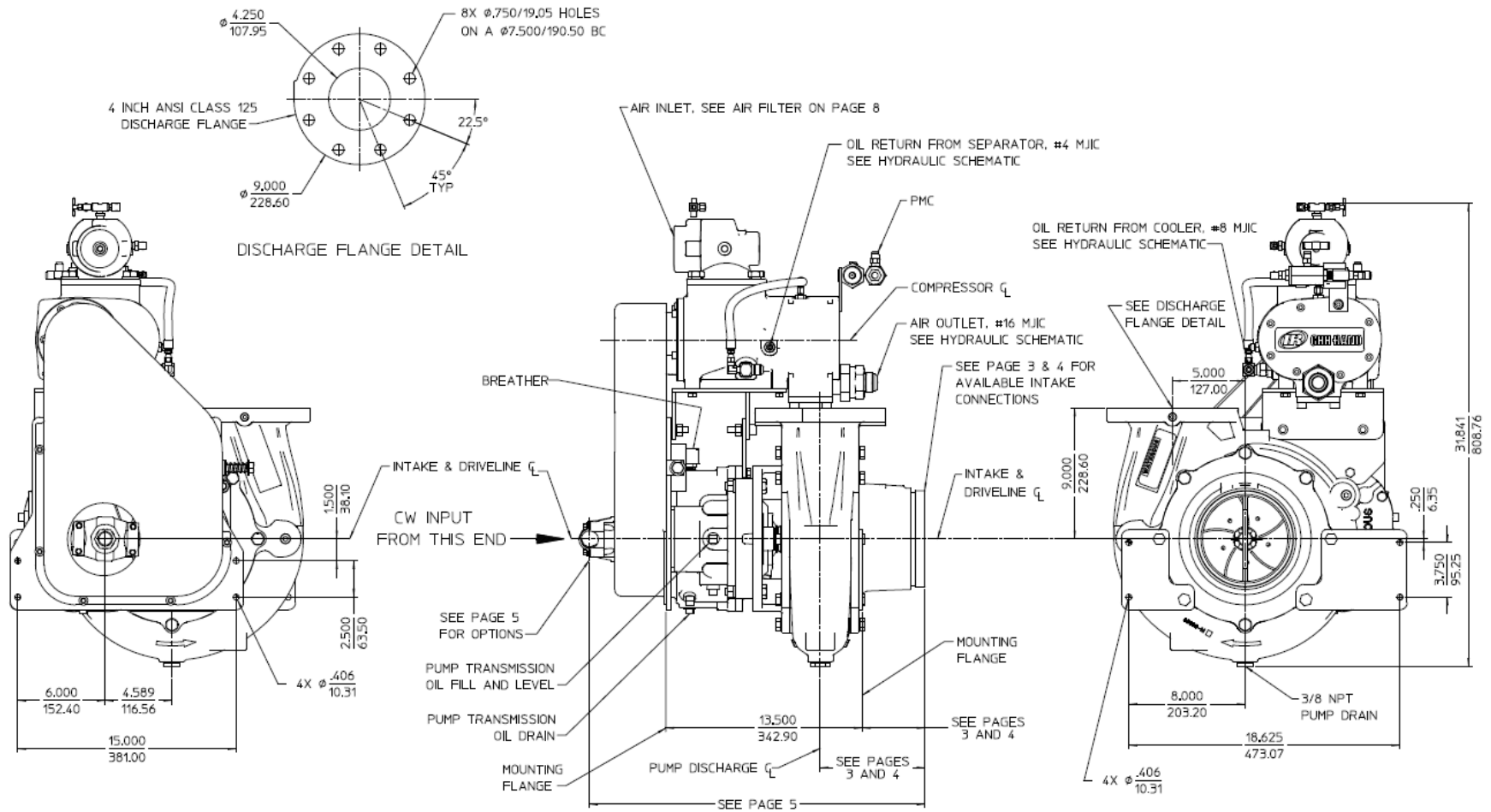


PTO Compressor System Dimensional Drawings
Models 750-100-P, 1000-100-P and 1250-100-P
Includes Fire Pump Models CXNK, CXSK or CXVK

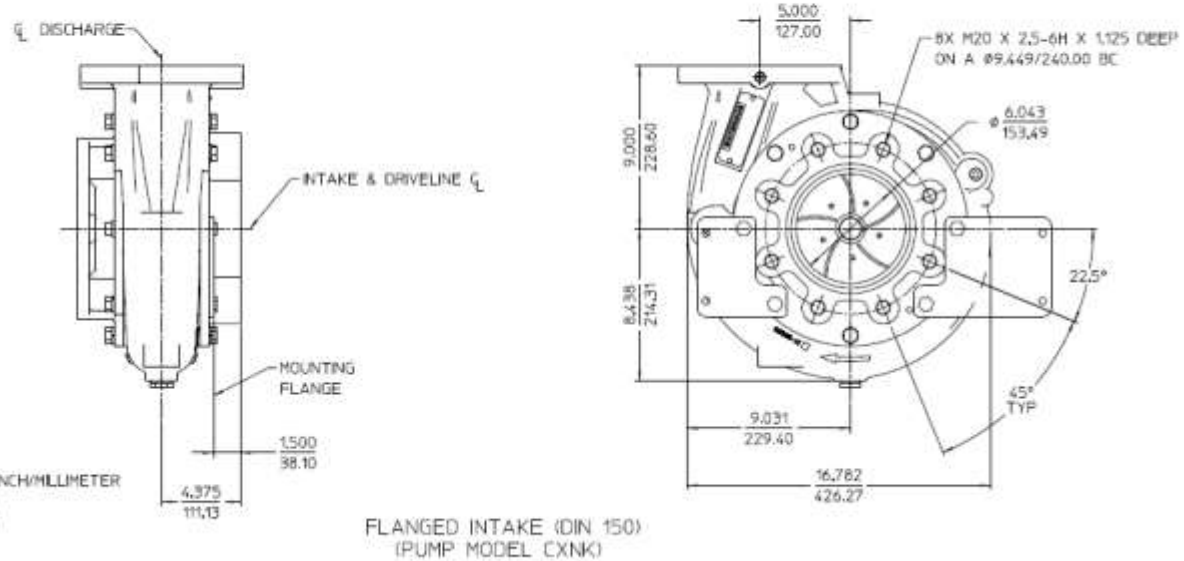
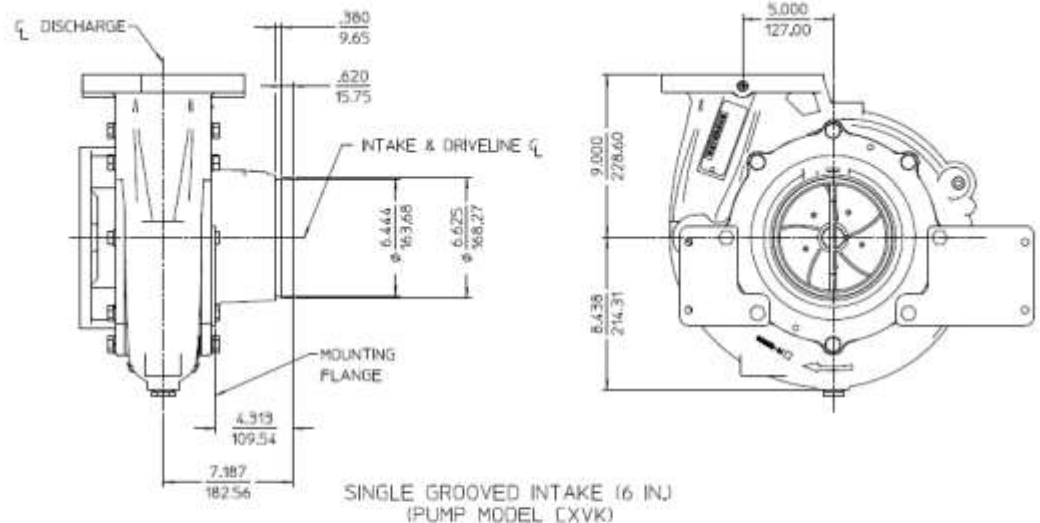


Standard Components:	Page
Compressor and Water Pump.....	2
Available Pump Intake Connections:	
Pump Models CXN and CXV	3
Pump Model CXS	4
Available Companion Flanges and End Yokes	5
Sump (Oil Reservoir)	6
Oil Cooler and Filter	7
Air Filter	8
Separator Filter	8
Oil Temperature Gauge	9
Auto-Sync.....	9
Balance Valve.....	9
Panel Plates.....	9
Optional Components:	
Air Oil Cooler (Electric Fan)	10
Air Distribution Manifold	11
Auxiliary Air Connection.....	12
Air Pressure Gauge.....	13
Digital Air Flow Meter	13
Sump Vent	13
Hose and Fitting Kit.....	14
Oil Inject Check Valve.....	15
CAF Discharge:	
Air Discharge Check Valve Kits.....	See DPL83477
ICS Valves	See DPL83478
Static Mixers	See DPL83603
Manifolds	See DPL83682
Foam Pumps:	
Models Aquis 1.5, 3.0 or 6.0:.....	See F-1031, 2447
Schematics:	
Hydraulic.....	16
Air Circuit	17
Electrical.....	18



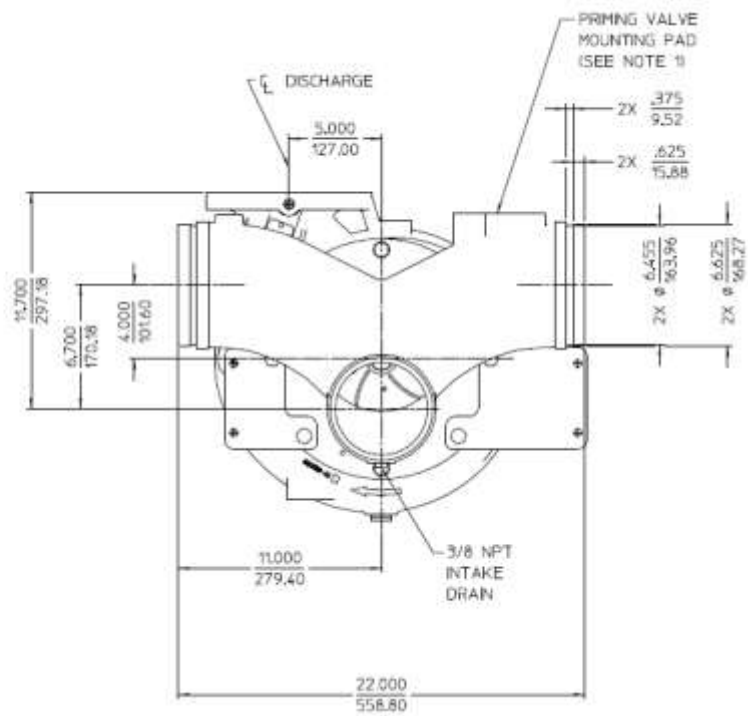
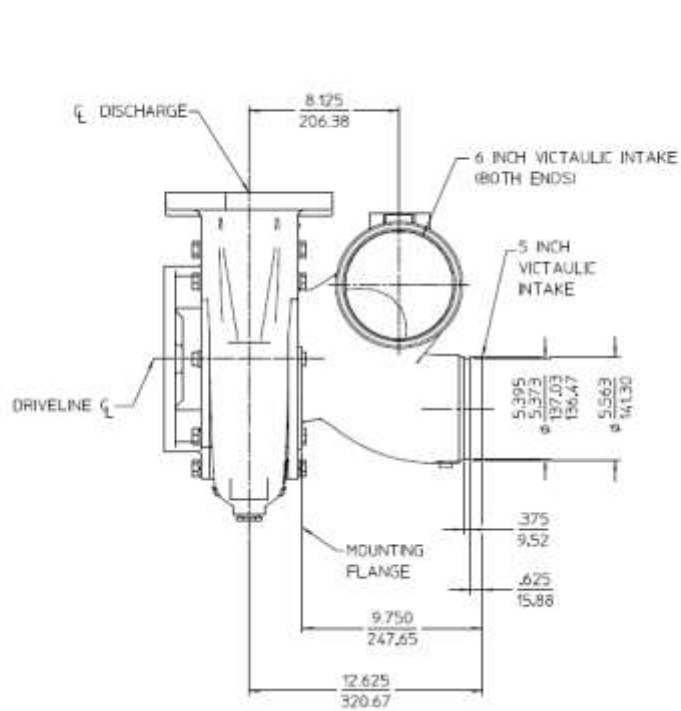
ALL DIMENSIONS SHOWN AS INCH/MILLIMETER
 (INCH / MILLIMETER)

COMPRESSOR AND WATER PUMP



ALL DIMENSIONS SHOWN AS INCH/MILLIMETER
(INCH
MILLIMETER)

AVAILABLE PUMP INTAKE CONNECTIONS

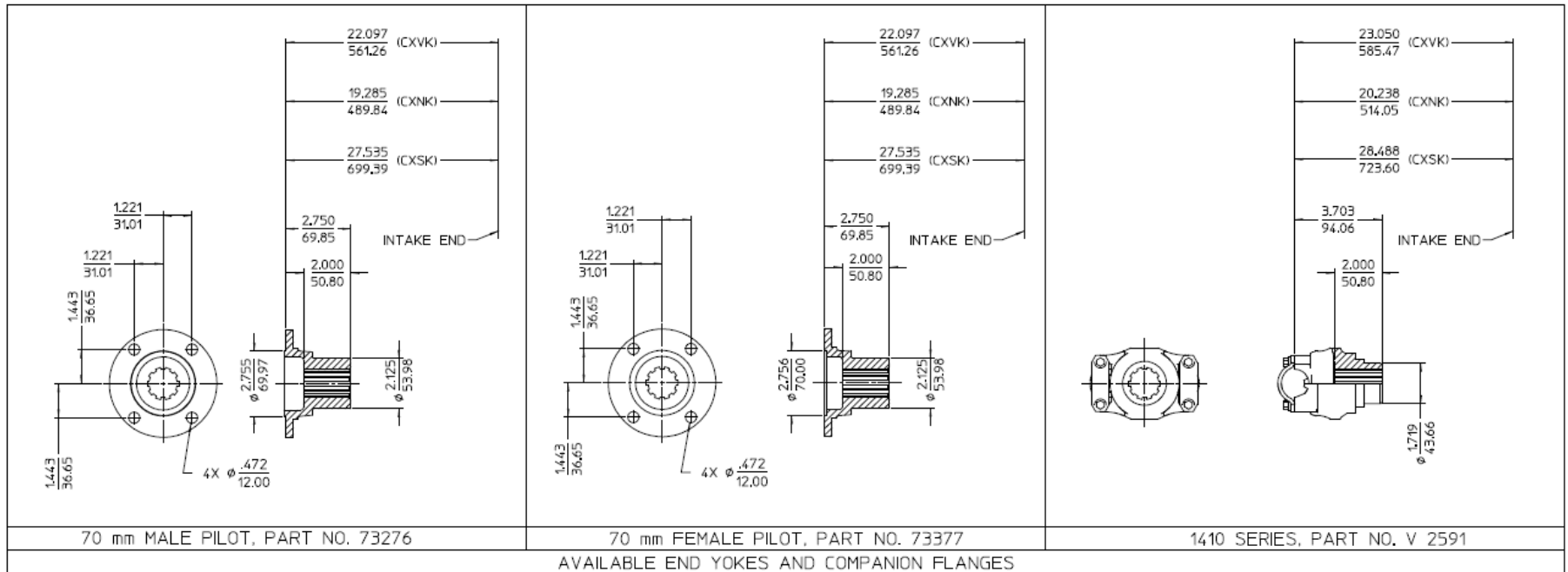


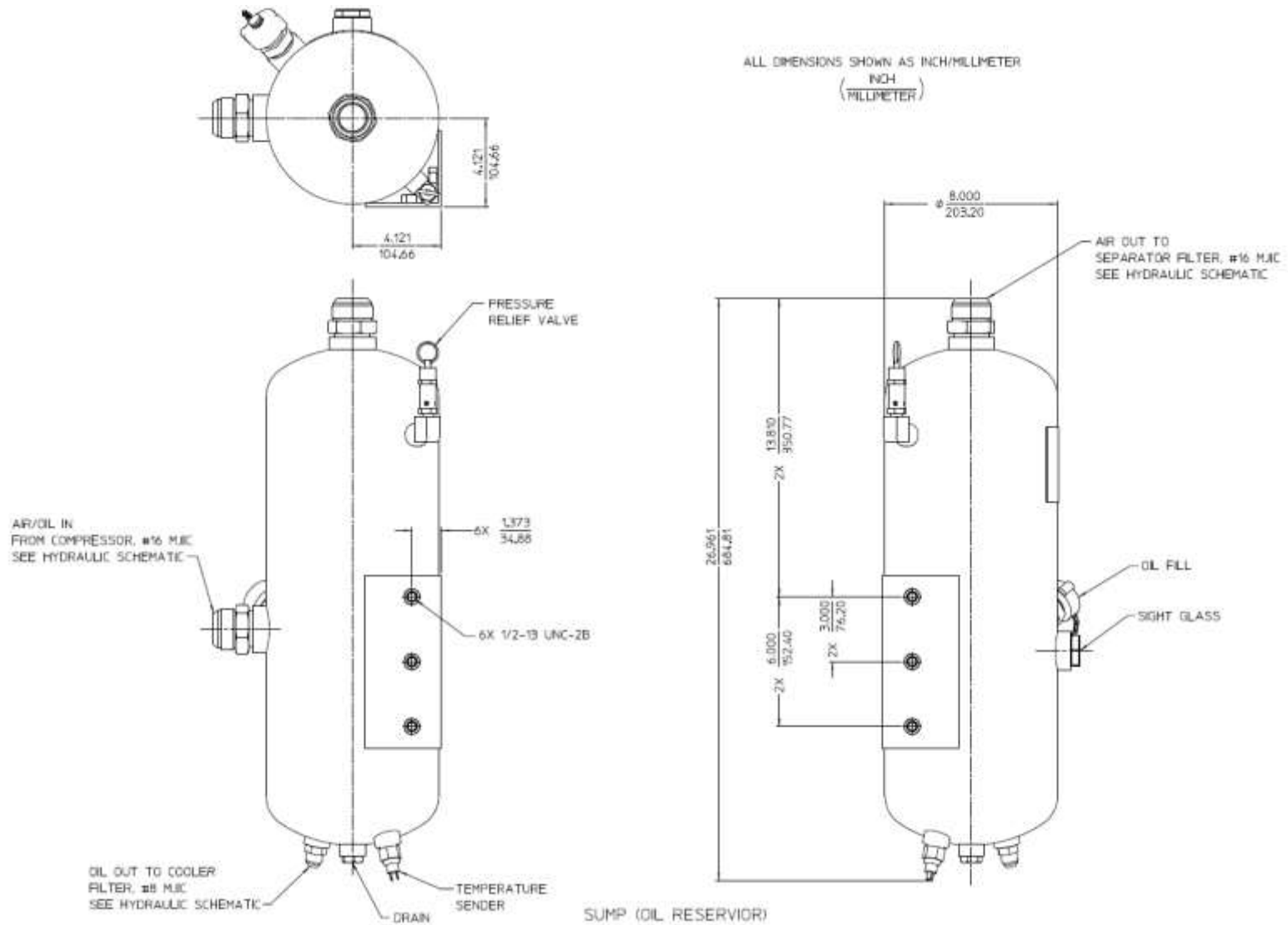
DUAL GROOVED INTAKE (6 IN.)
(PUMP MODEL CXSK)

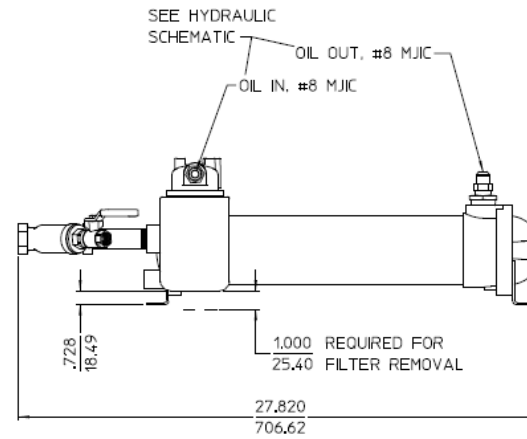
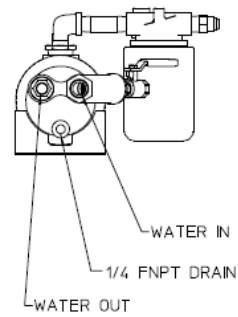
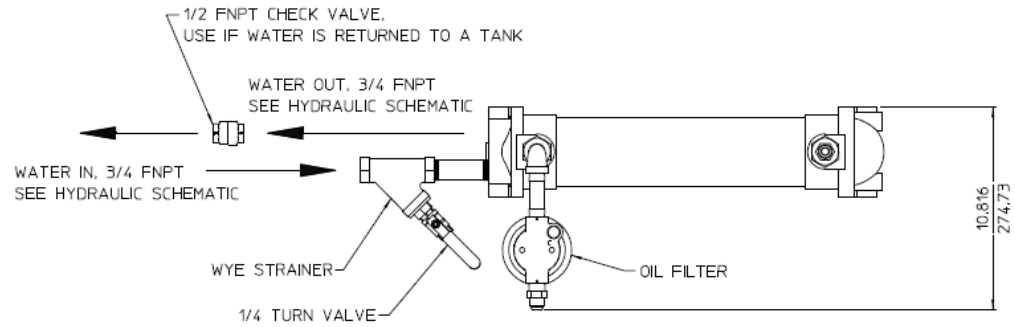
ALL DIMENSIONS SHOWN AS INCH/MILLIMETER
(INCH / MILLIMETER)

- NOTES:
1. SEE DRAWING DPL82908 FOR PRIMING VALVE DETAILS.
 2. PUMP MOUNTED RELIEF VALVE NOT AVAILABLE.

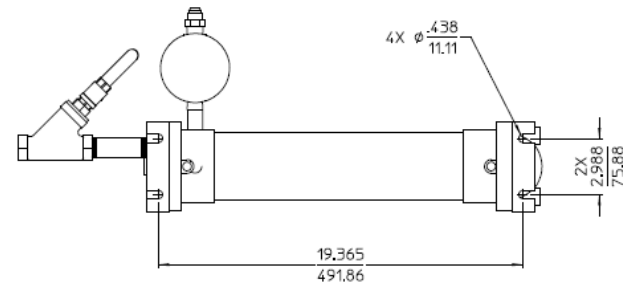
AVAILABLE PUMP INTAKE CONNECTIONS



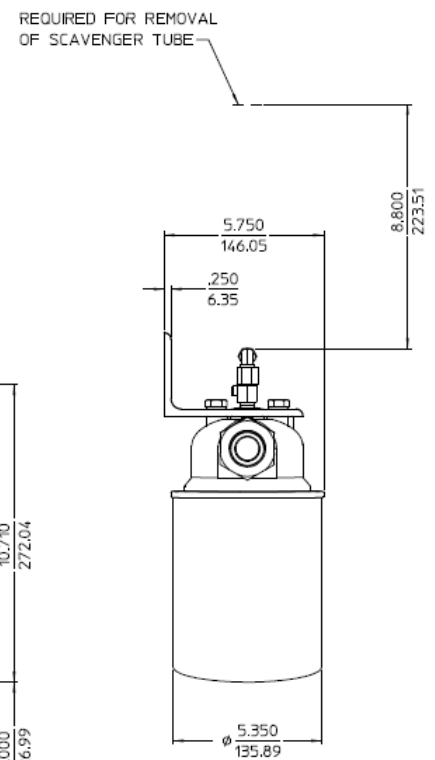
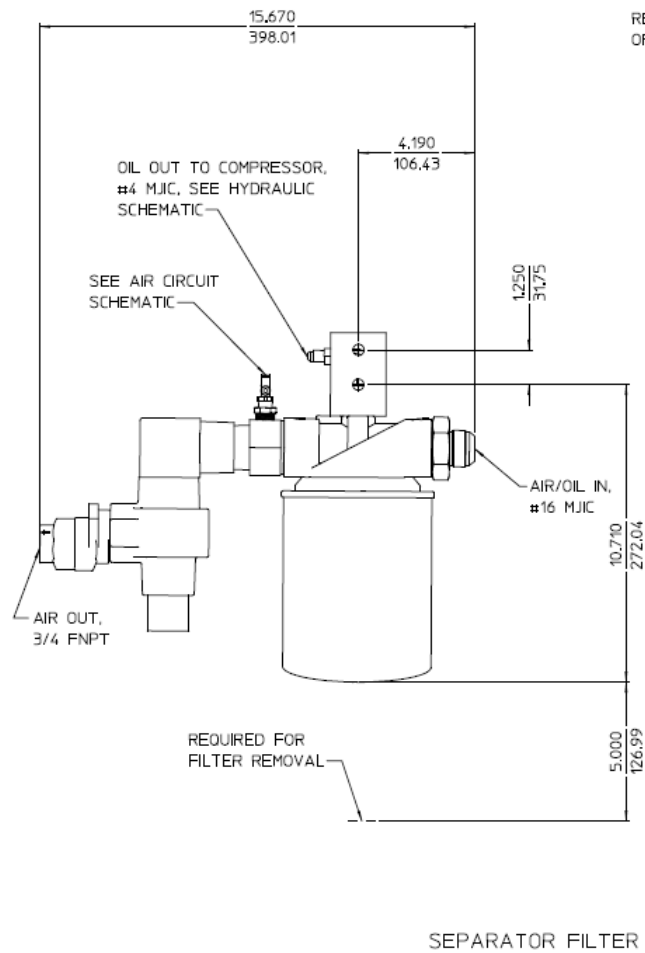
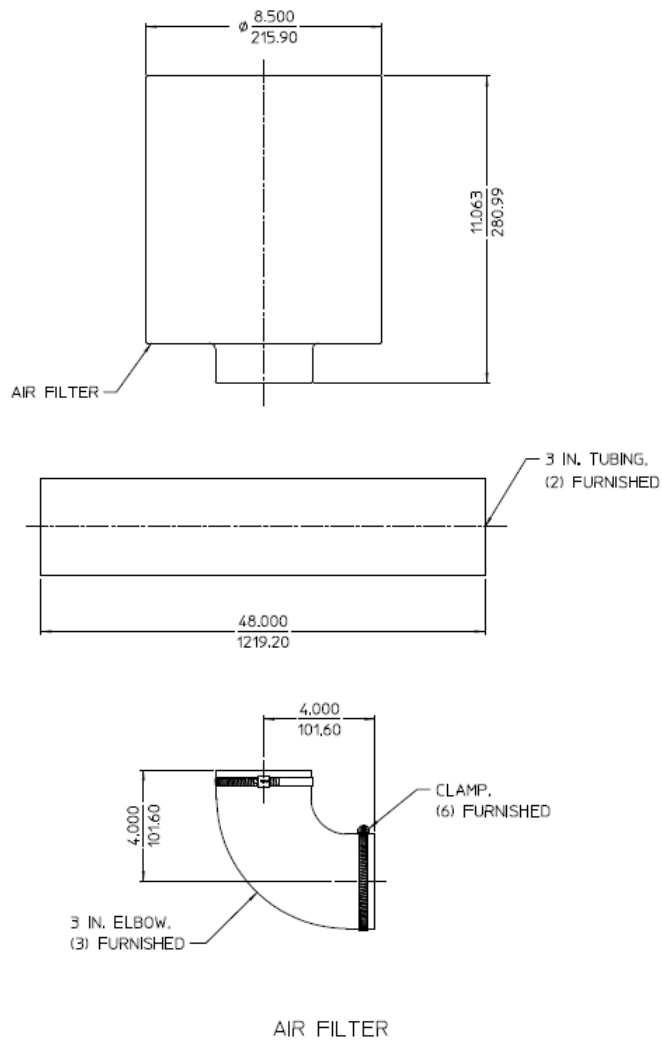




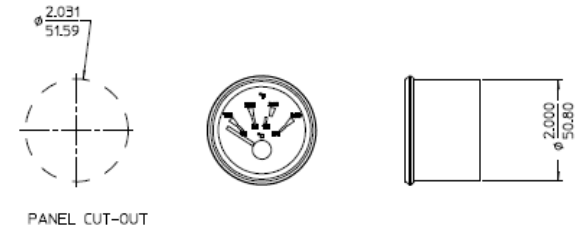
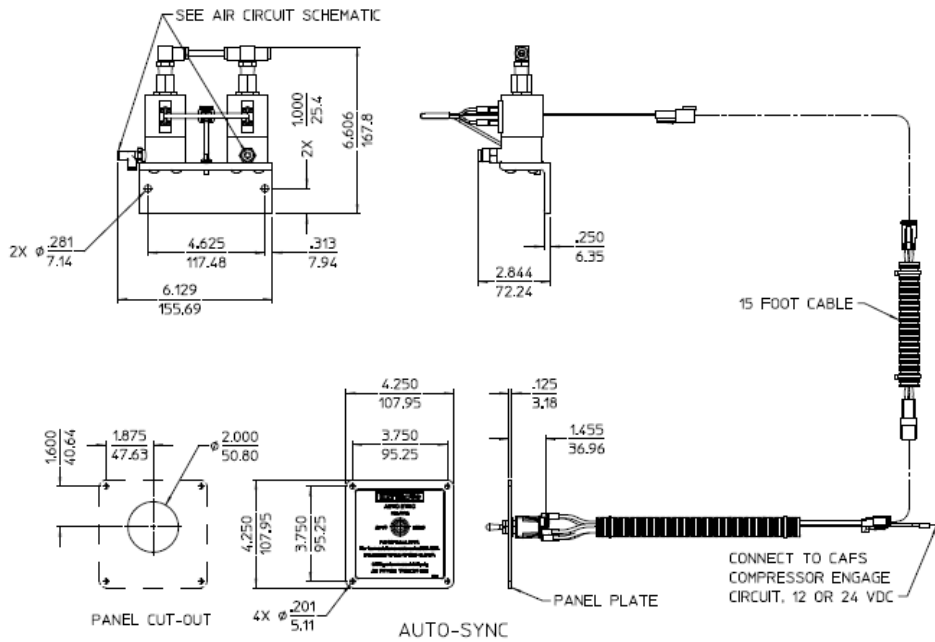
ALL DIMENSIONS SHOWN AS INCH/MILLIMETER
(INCH)
(MILLIMETER)



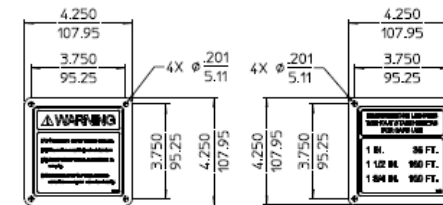
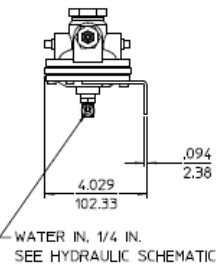
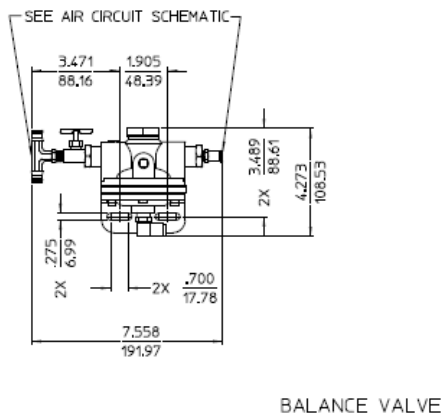
OIL COOLER & FILTER



ALL DIMENSIONS SHOWN AS INCH/MILLIMETER
 (INCH)
 (MILLIMETER)

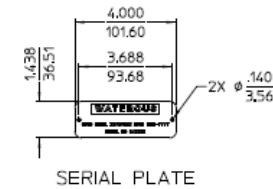


OIL TEMPERATURE GAUGE
(WIRING TO SUMP TEMPERATURE SENDER
NOT FURNISHED BY WATEROUS)



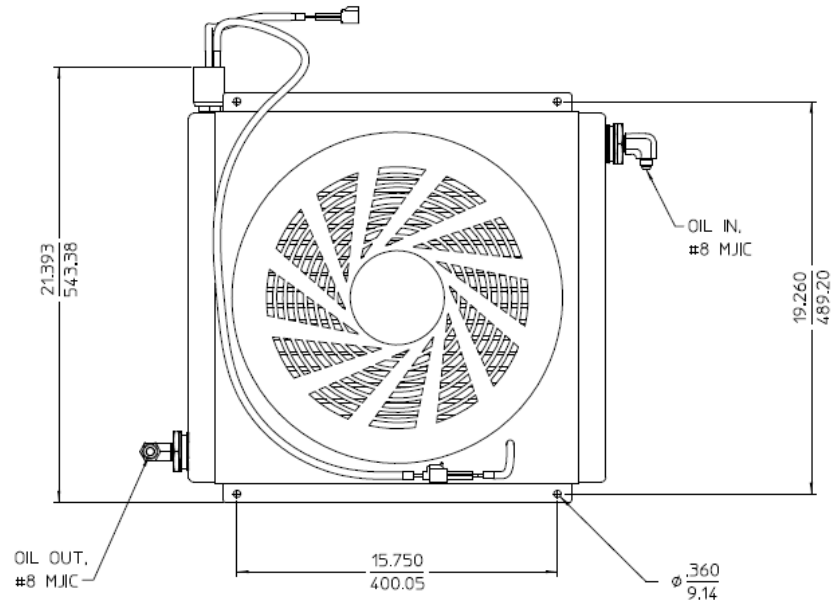
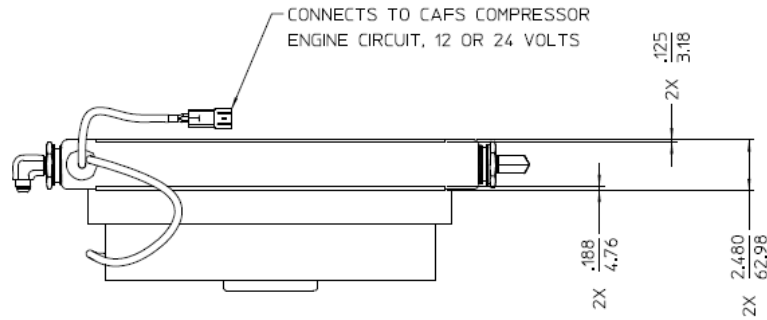
CABS WARNING

HOSE LENGTH



PANEL PLATES

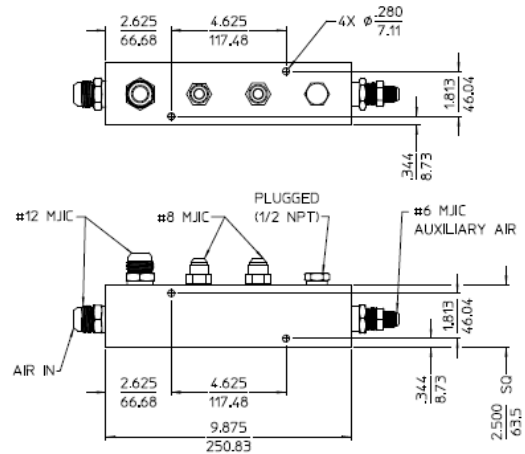
ALL DIMENSIONS SHOWN AS INCH/MILLIMETER
(INCH
MILLIMETER)



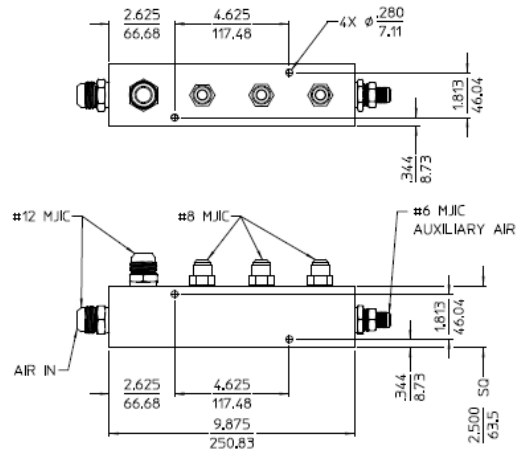
ALL DIMENSIONS SHOWN AS INCH/MILLIMETER
 (INCH / MILLIMETER)

OPTIONAL AIR OIL COOLER
 (ELECTRIC FAN)

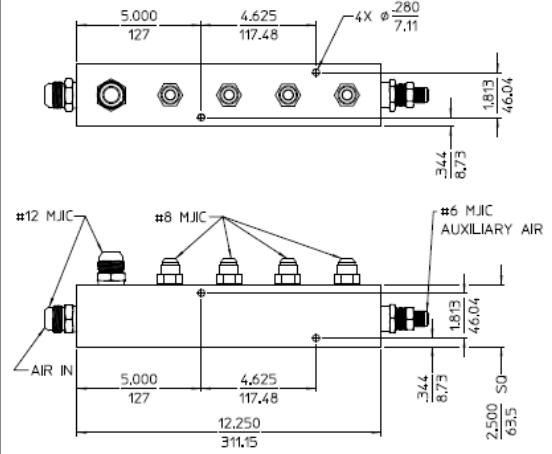
MAY BE USED AS SECONDARY COOLER IN CONJUNCTION WITH
 OIL COOLER ON PAGE 7.
 NOT AVAILABLE AS A STAND-ALONE COOLER



3 PORT MANIFOLD
ORDER PART NO. 83360-1A

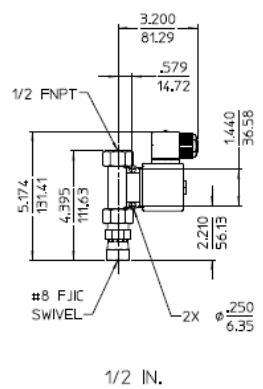


4 PORT MANIFOLD
ORDER PART NO. 83360-1B

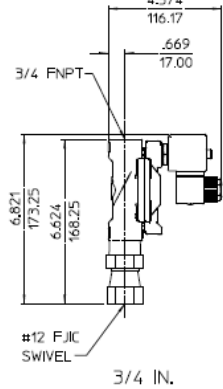


5 PORT MANIFOLD
ORDER PART NO. 83360-1C

OPTIONAL AIR DISTRIBUTION MANIFOLD

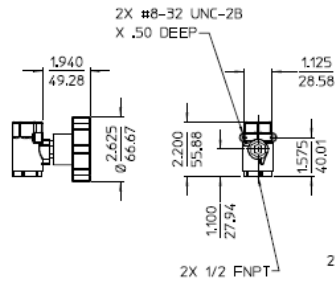


1/2 IN.

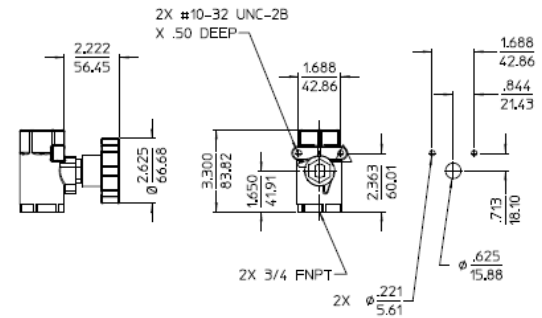


3/4 IN.

ELECTRIC



1/2 IN.

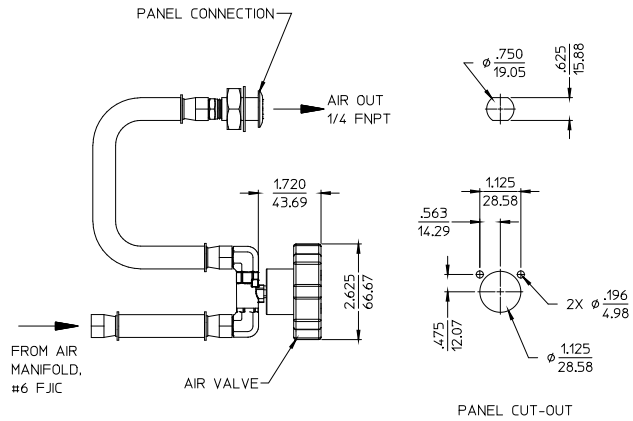
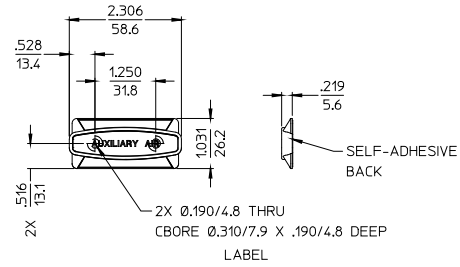
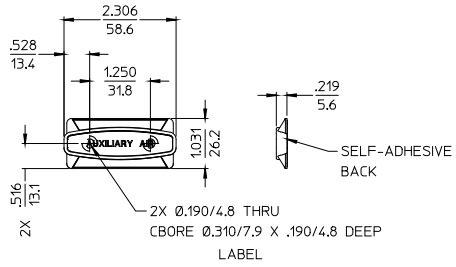


3/4 IN.

MANUAL

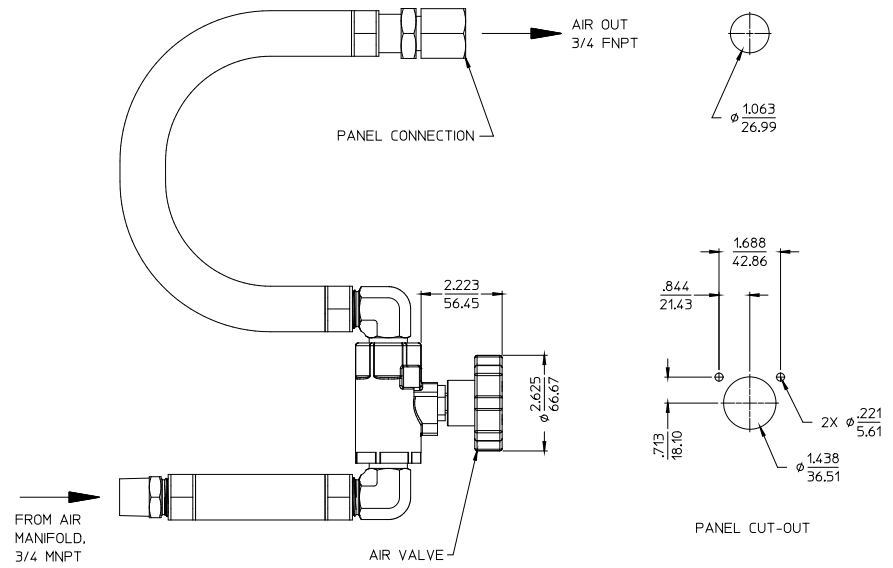
OPTIONAL AIR VALVES

ALL DIMENSIONS SHOWN AS INCH/MILLIMETER
(INCH)
(MILLIMETER)



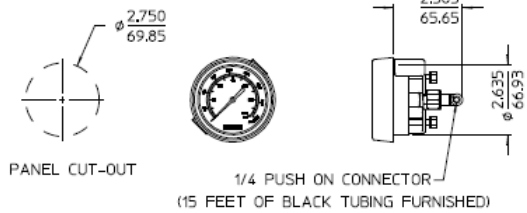
1/4 FNPT CONNECTION
(HOSES AND FITTINGS FURNISHED)
ORDER PART NO. 83360-3A

ALL DIMENSIONS SHOWN AS INCH/MILLIMETER
(INCH
MILLIMETER)

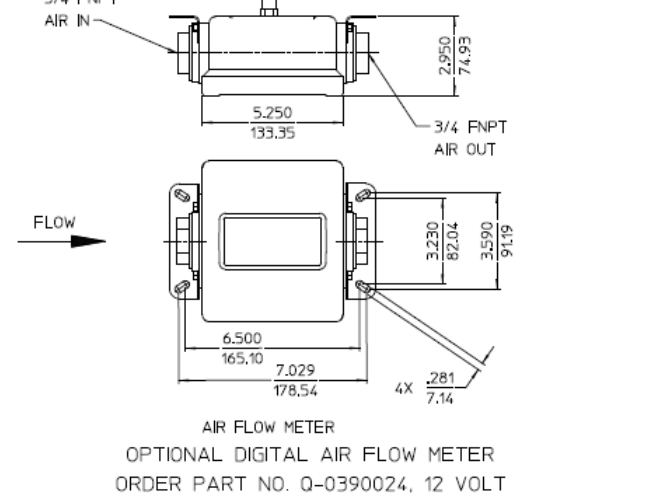
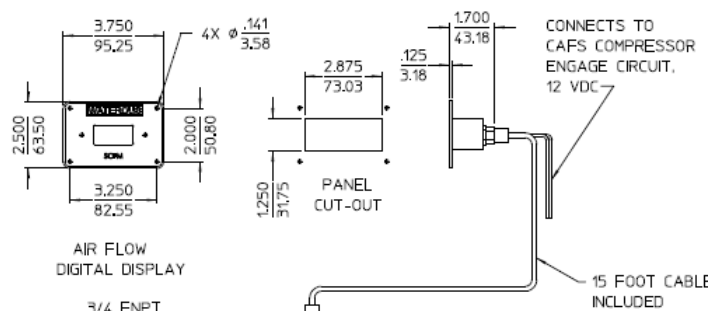


3/4 NPT CONNECTION
(HOSES AND FITTINGS FURNISHED)
ORDER PART NO. 83360-3B

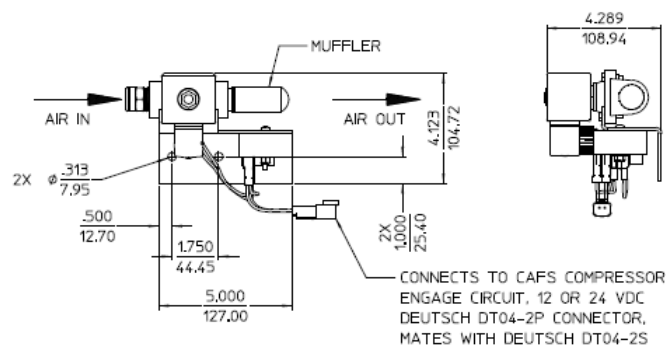
OPTIONAL AUXILIARY AIR CONNECTION



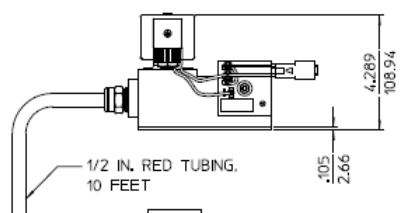
PANEL CUT-OUT
 1/4 PUSH ON CONNECTOR
 (15 FEET OF BLACK TUBING FURNISHED)
 OPTIONAL AIR PRESSURE GAUGE
 SINGLE Mpa SCALE ORDER PART NO. 83417-1A
 DUAL PSI/Kpa SCALE ORDER PART NO. 83417-1B



AIR FLOW METER
 OPTIONAL DIGITAL AIR FLOW METER
 ORDER PART NO. Q-0390024, 12 VOLT

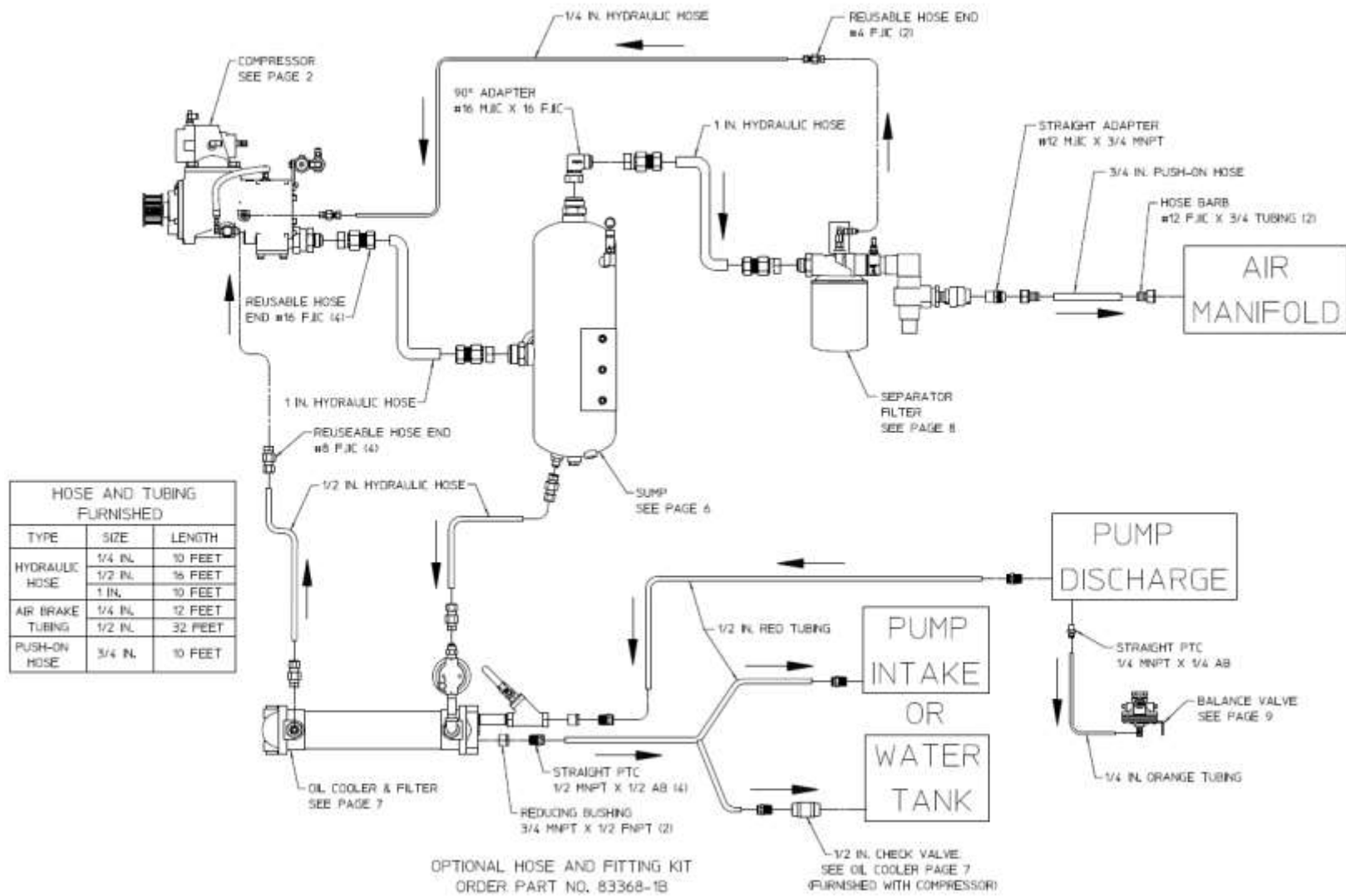


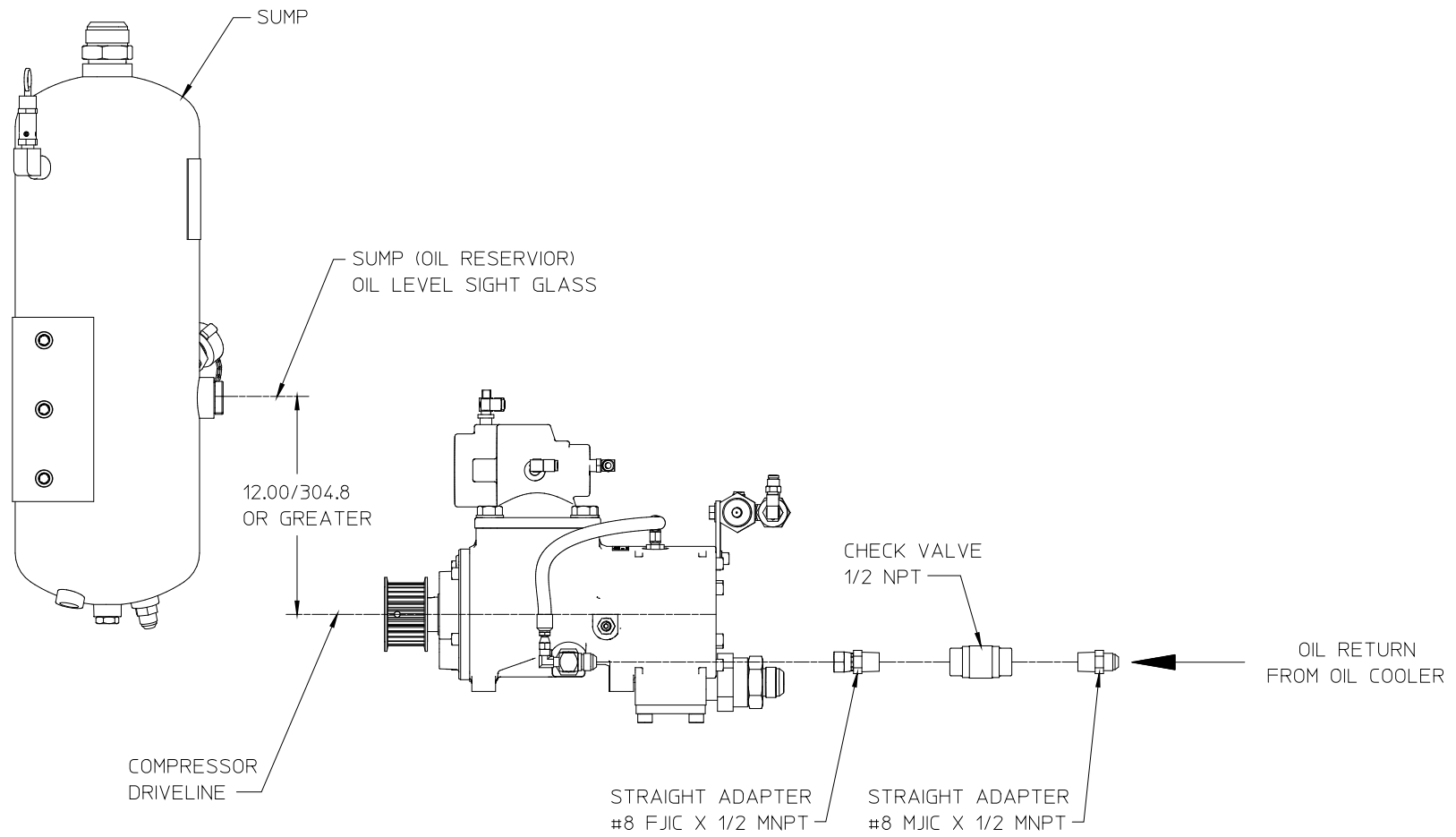
CONNECTS TO CAFS COMPRESSOR
 ENGAGE CIRCUIT, 12 OR 24 VDC
 DEUTSCH DT04-2P CONNECTOR,
 MATES WITH DEUTSCH DT04-2S



OPTIONAL SUMP VENT
 VENTS COMPRESSOR PRESSURE FOR
 10 SECONDS AT START-UP TO PREVENT ENGINE STALLING
 ORDER PART NO. 83293-2A (12V) OR 83293-2B (24V)

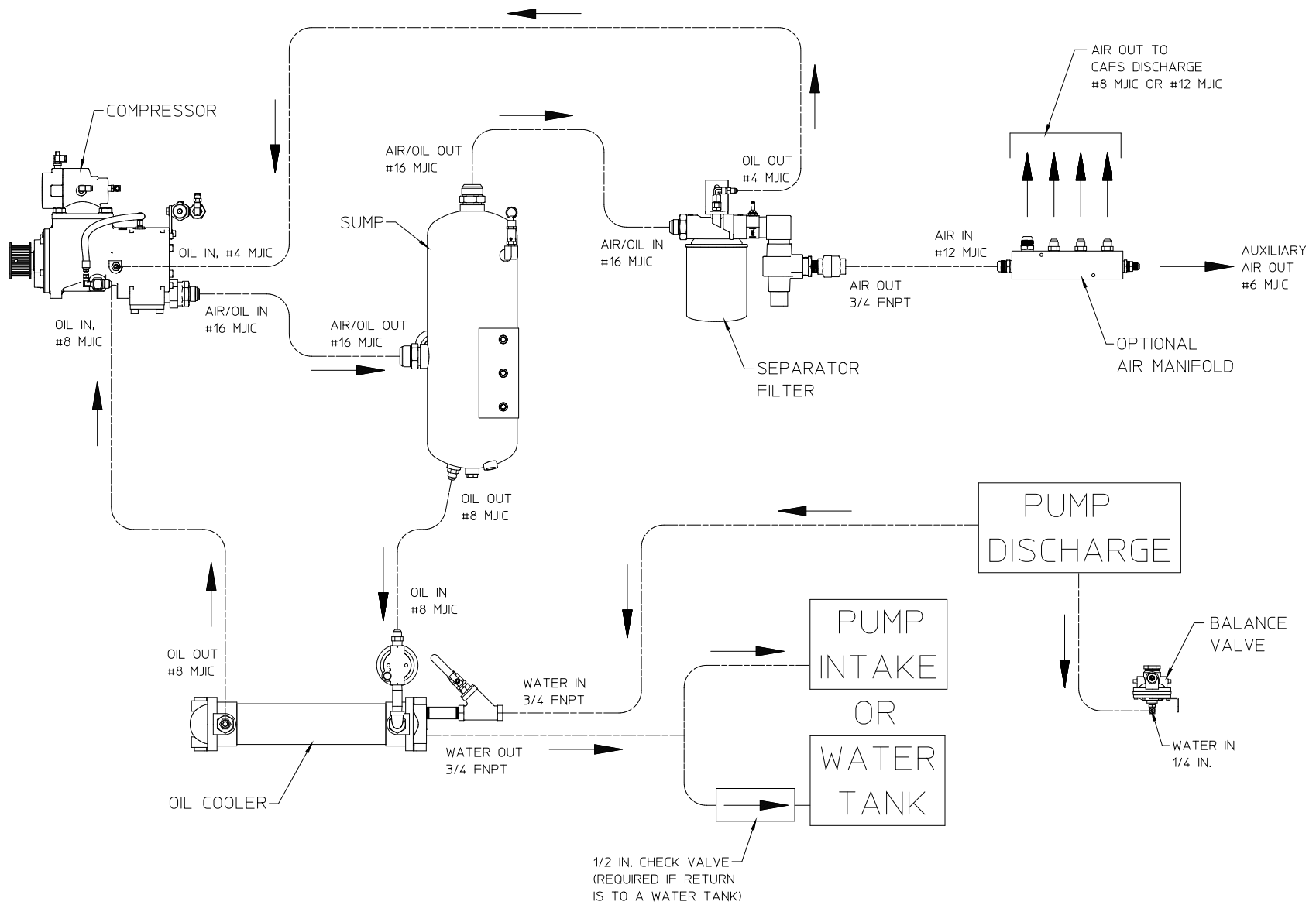
ALL DIMENSIONS SHOWN AS INCH/MILLIMETER
 (INCH / MILLIMETER)



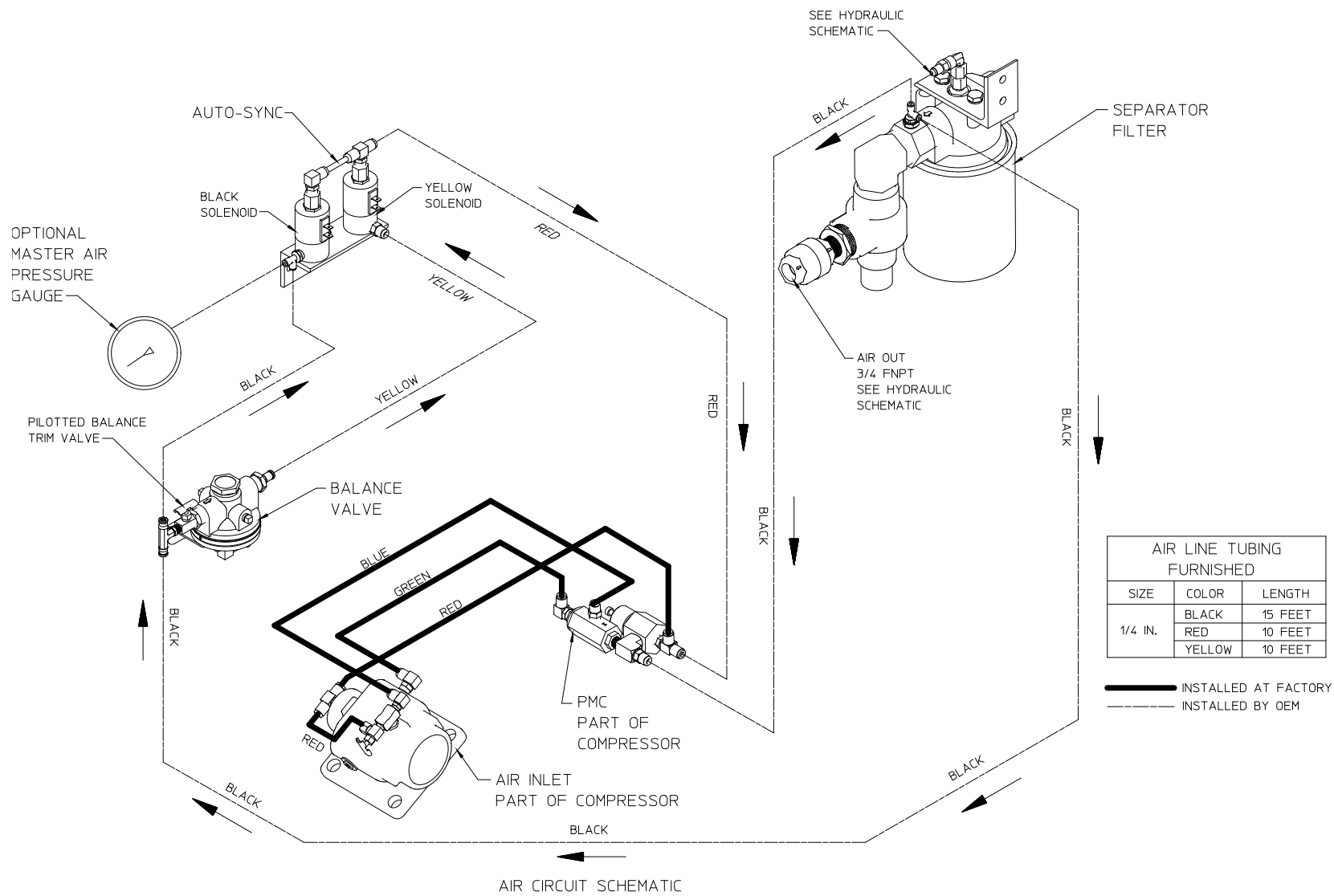


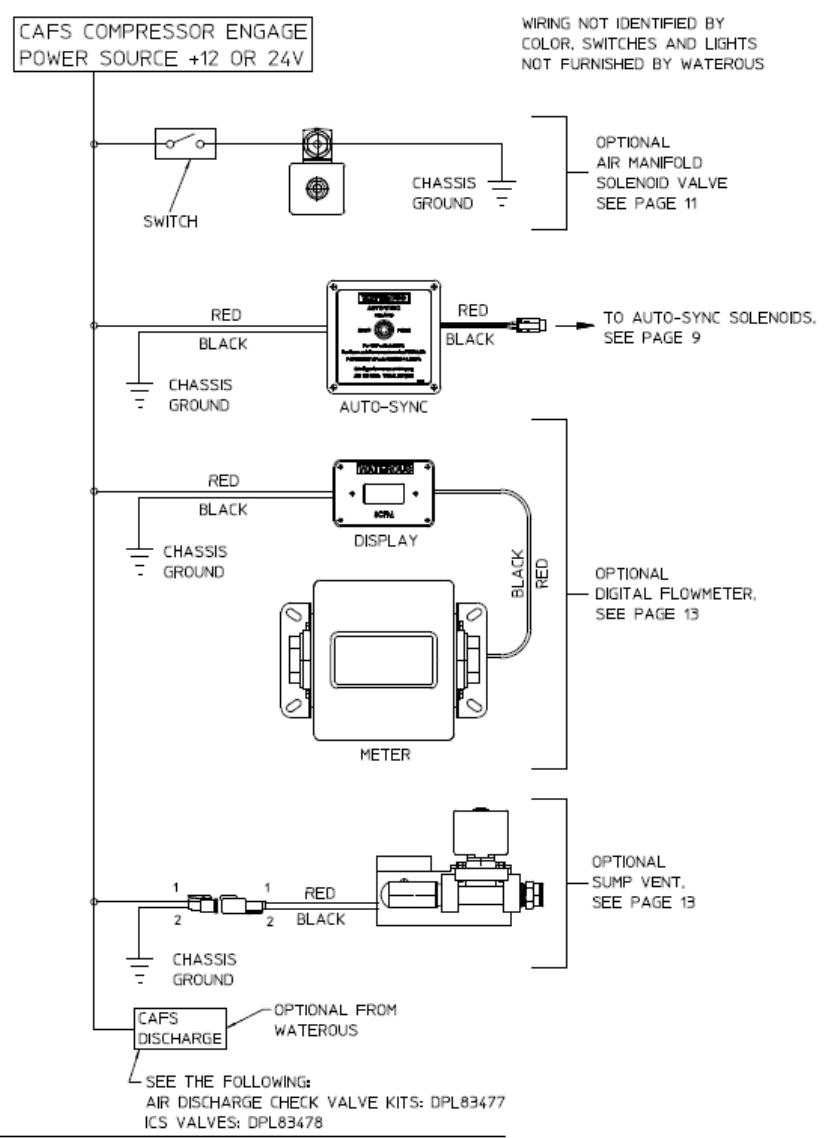
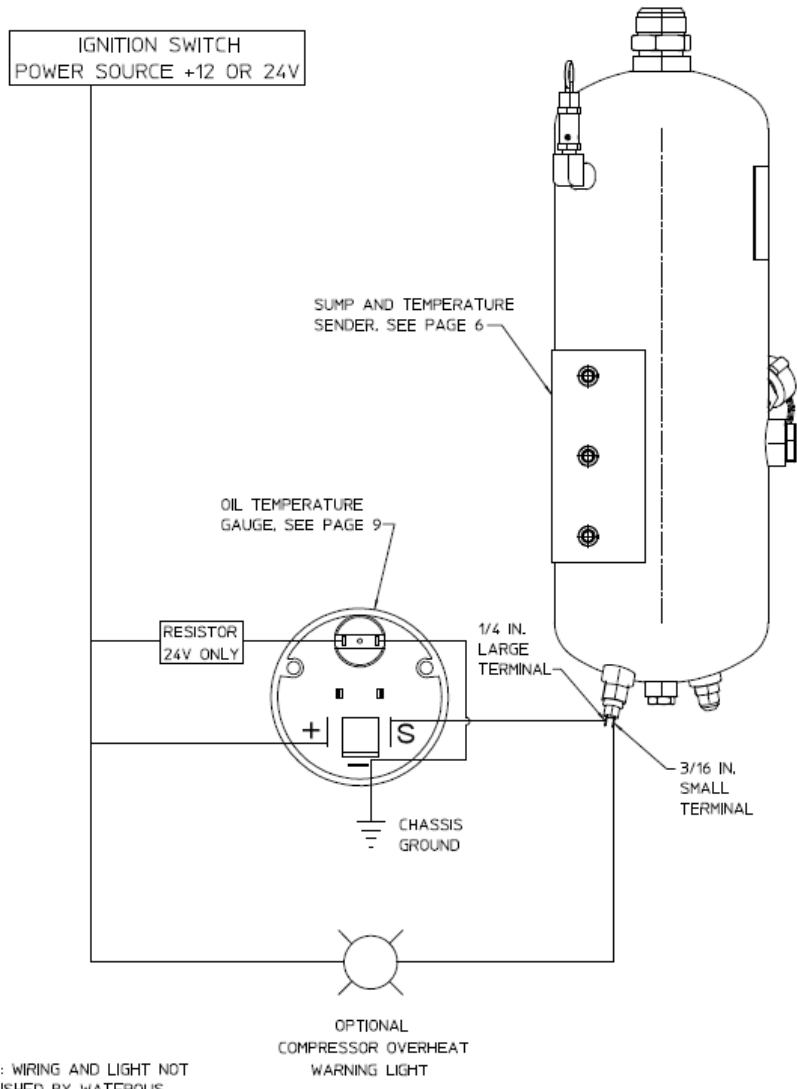
ALL DIMENSIONS SHOWN AS INCH/MILLIMETER
 (INCH / MILLIMETER)

OPTIONAL OIL INJECT CHECK VALVE
 REQUIRED WHEN SUMP (OIL RESERVIOR) OIL LEVEL IS
 12 IN./304.8mm OR MORE ABOVE COMPRESSOR DRIVELINE
 ORDER PART NO. 83368-2B



HYDRAULIC SCHEMATIC





NOTE: ALL WIRE 16 GAGE UNLESS NOTED OTHERWISE.

ELECTRICAL SCHEMATIC