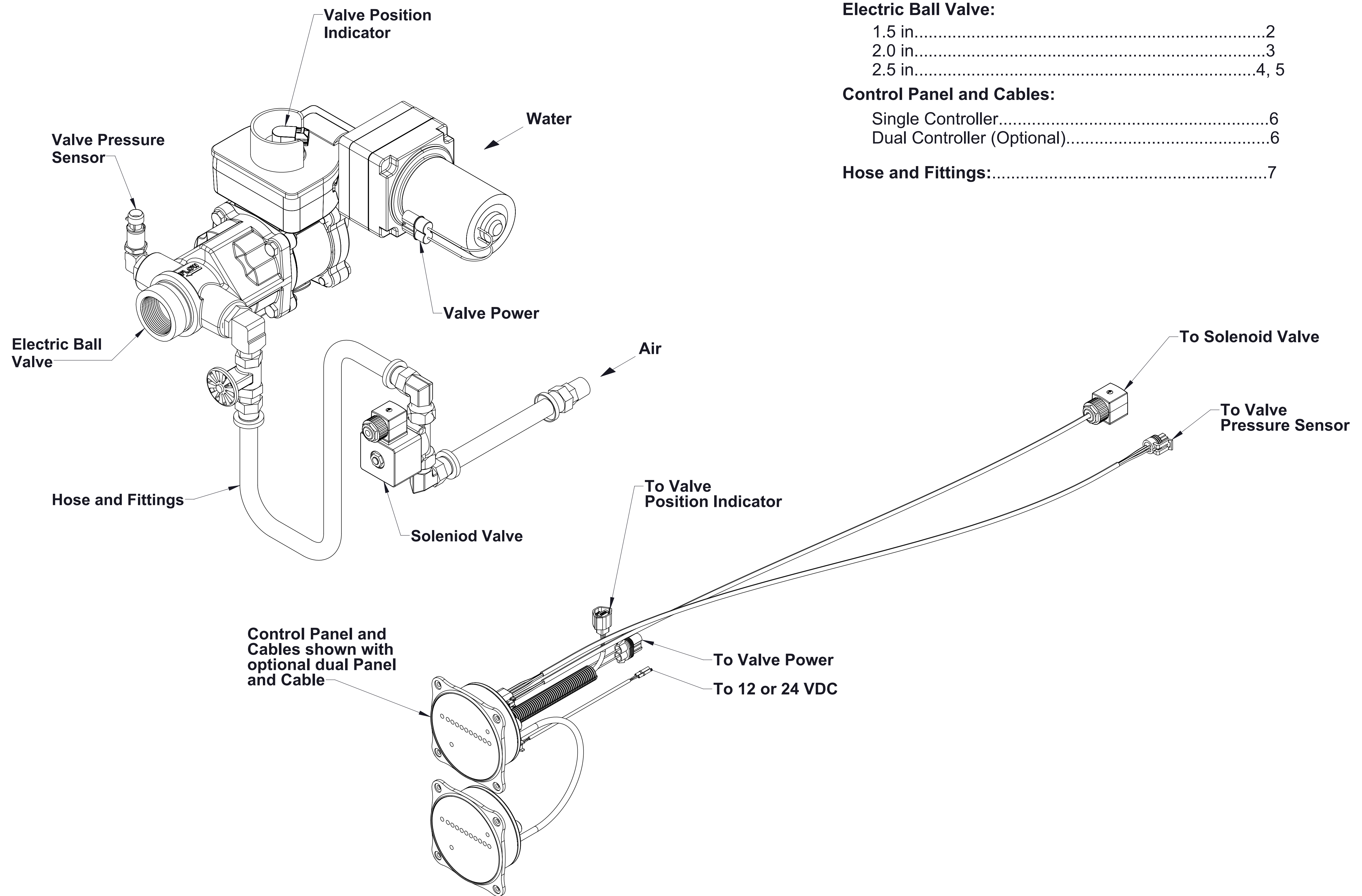
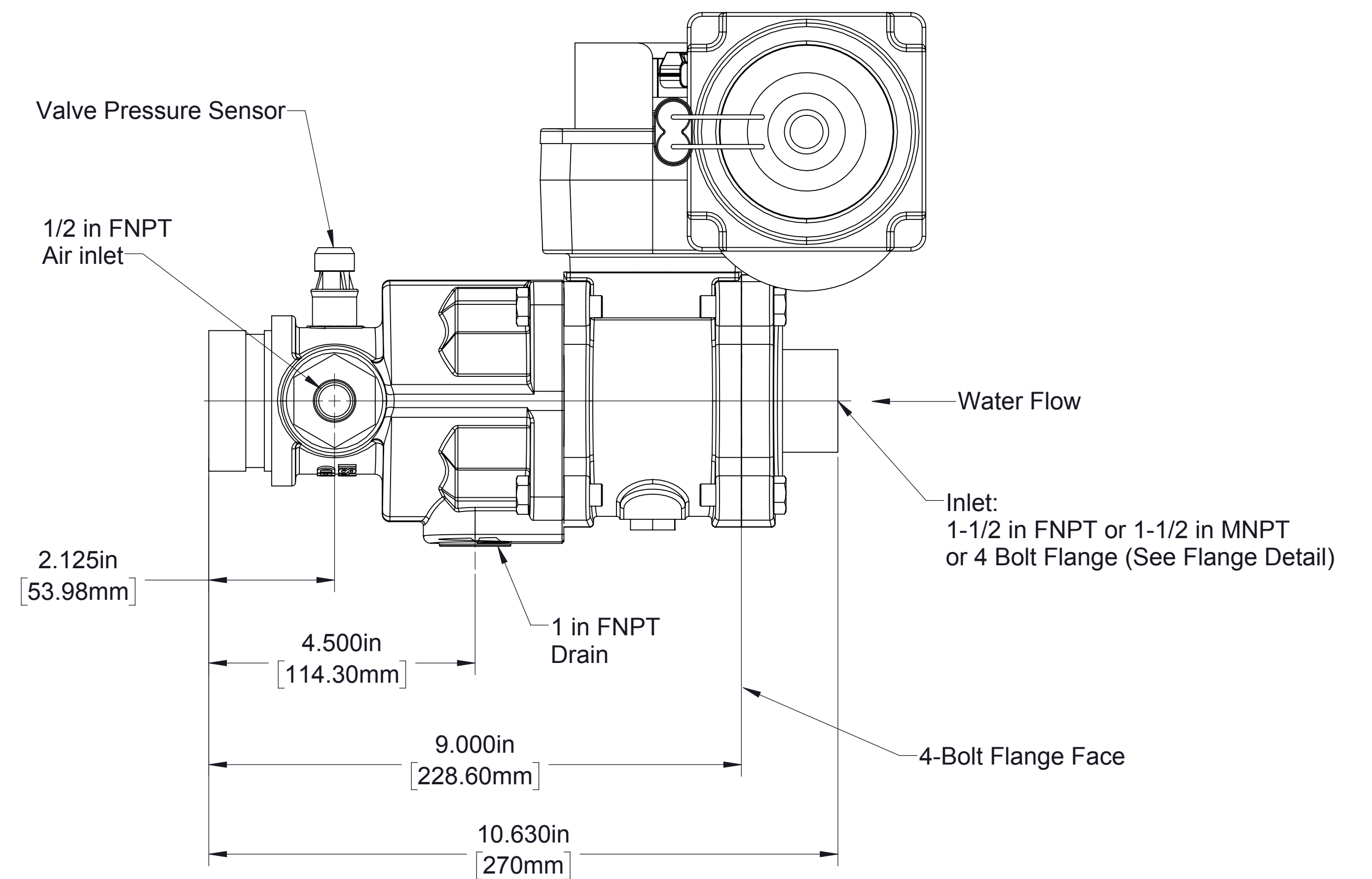
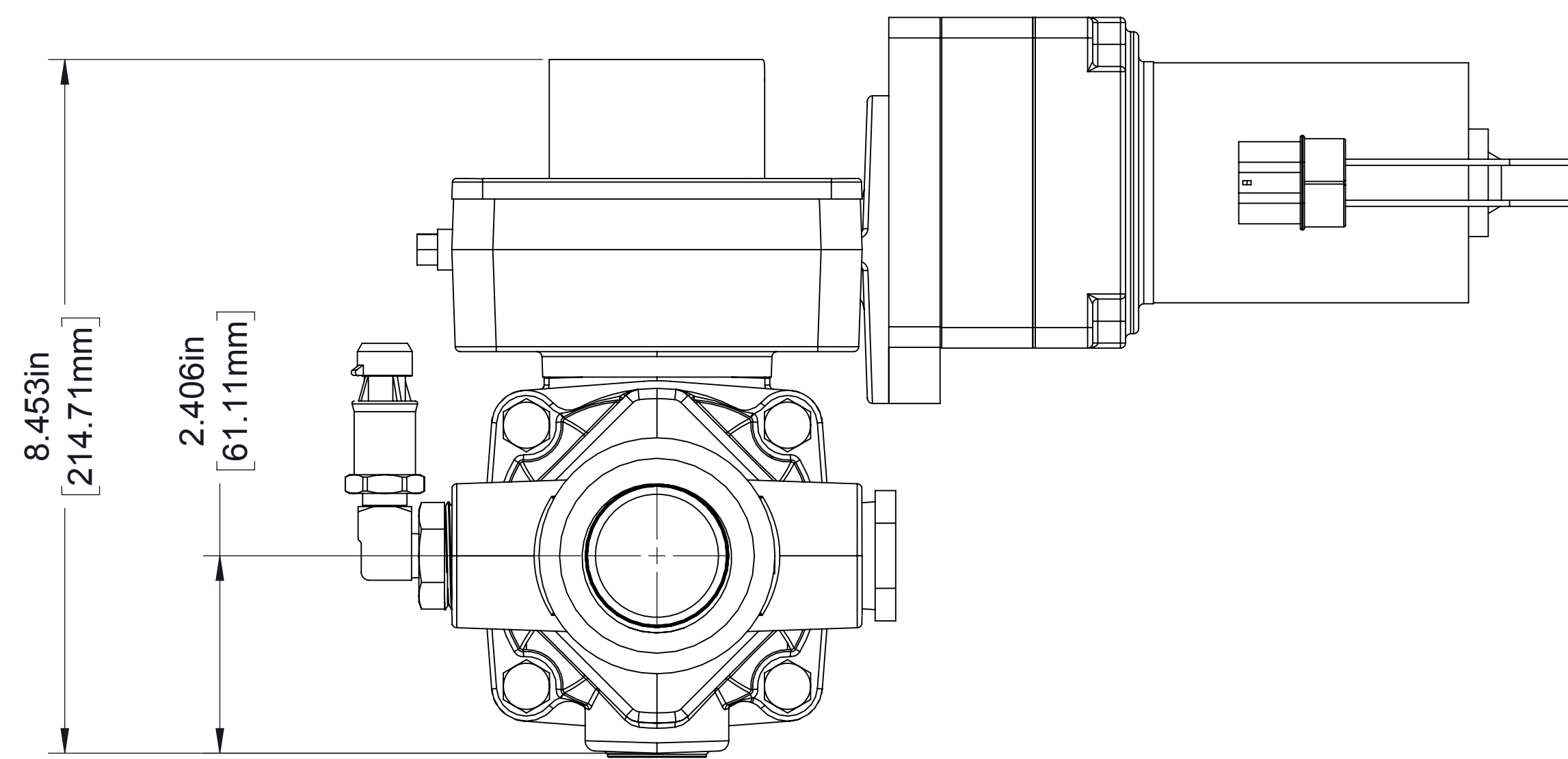
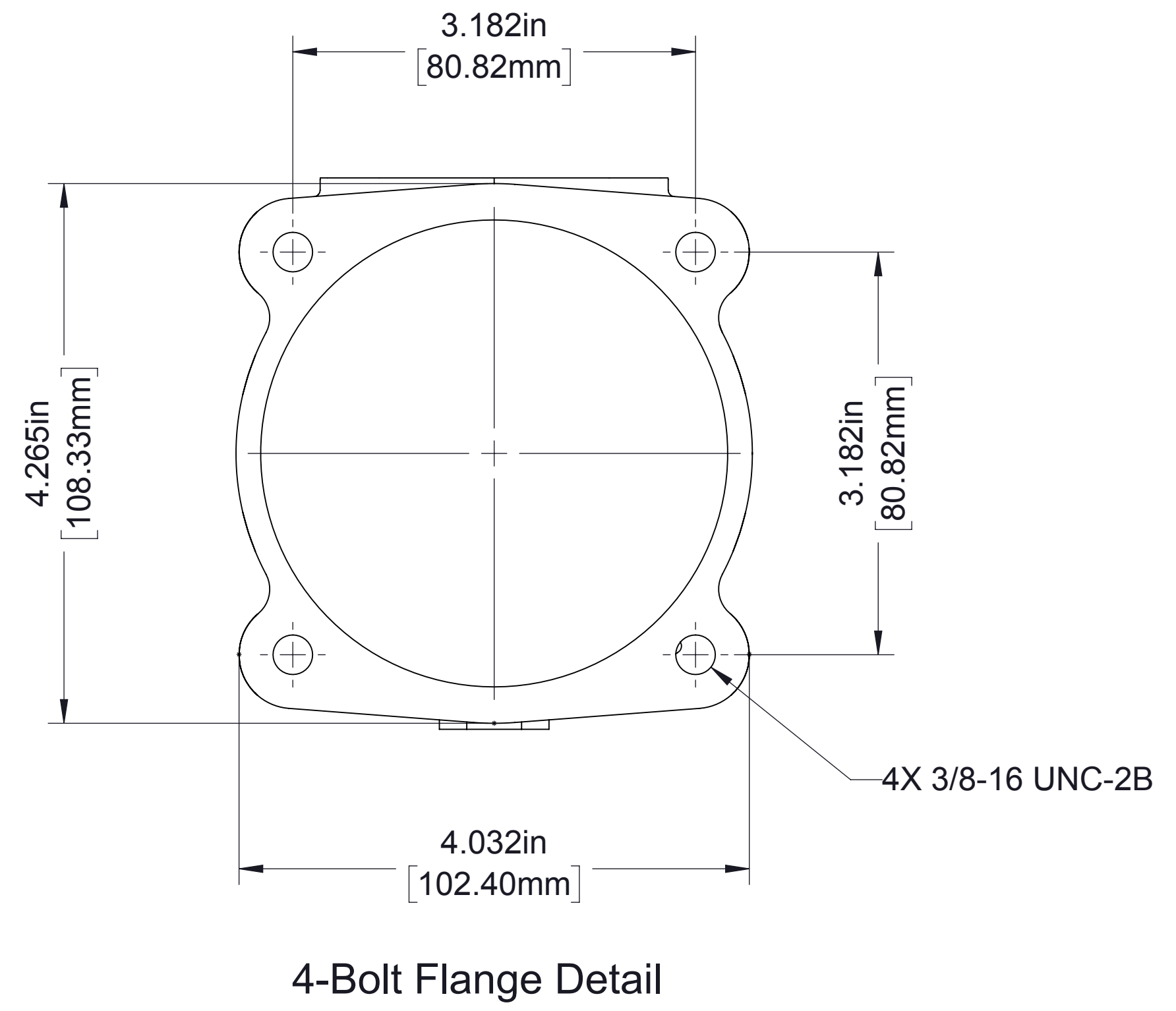
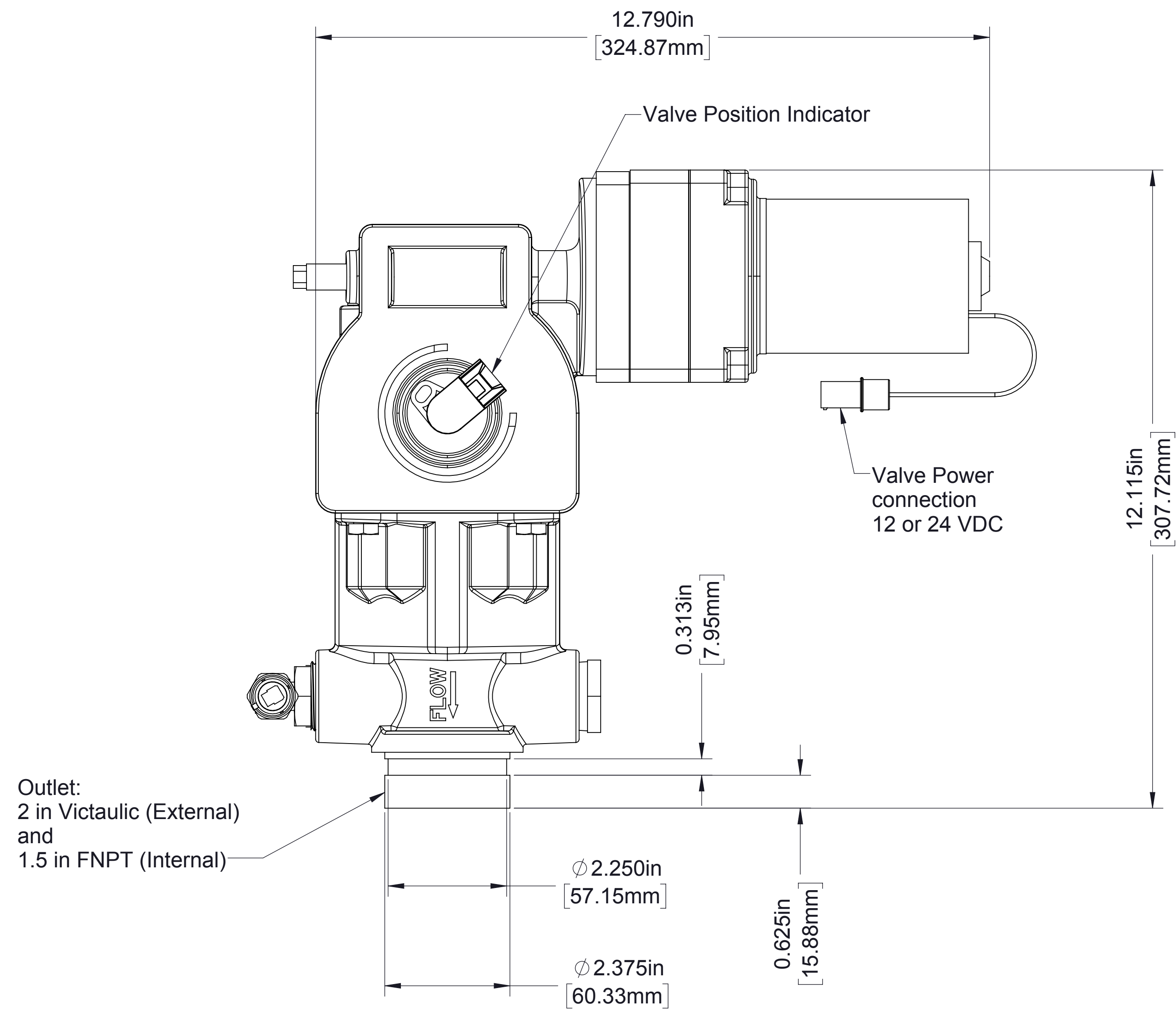


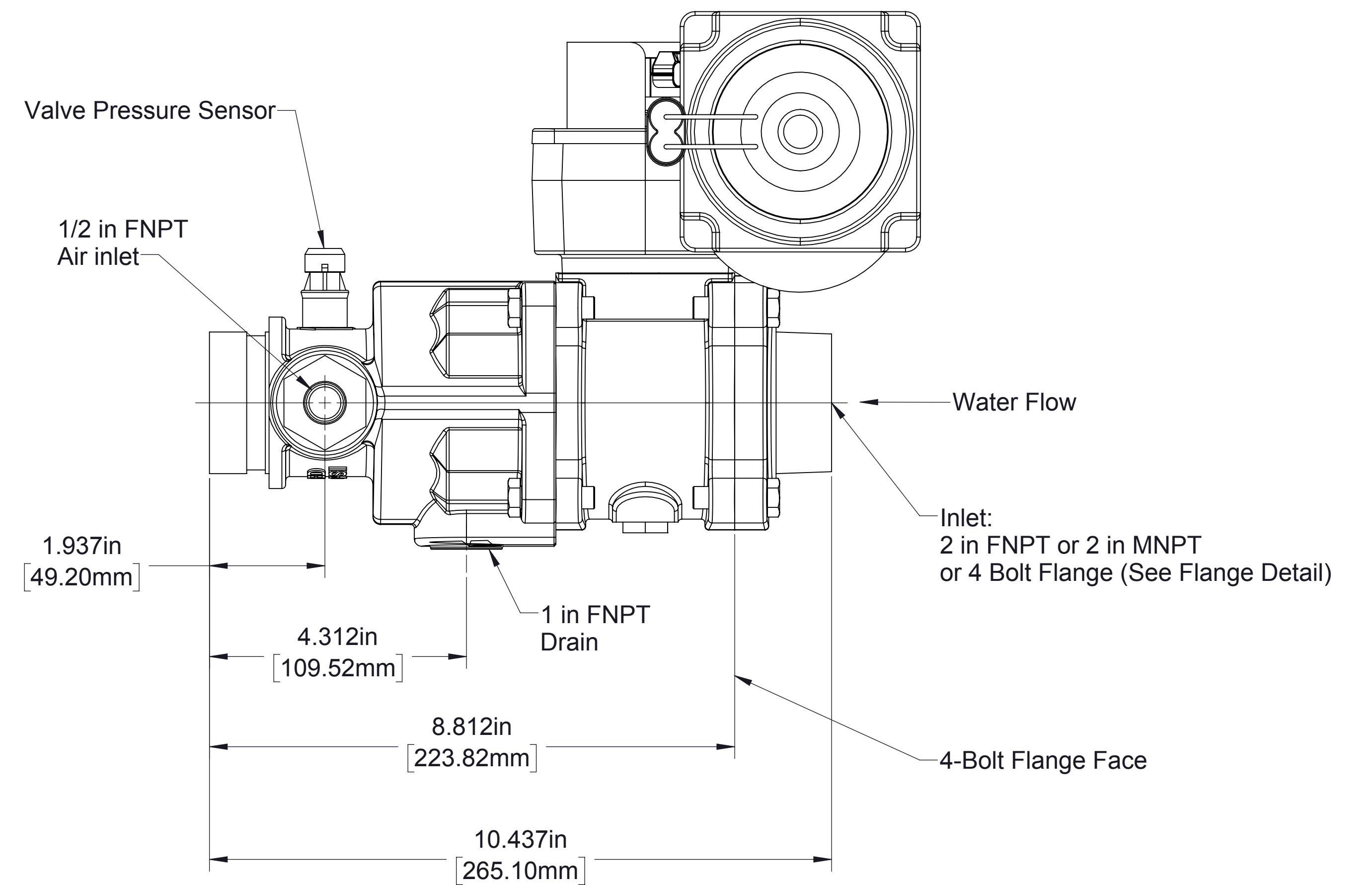
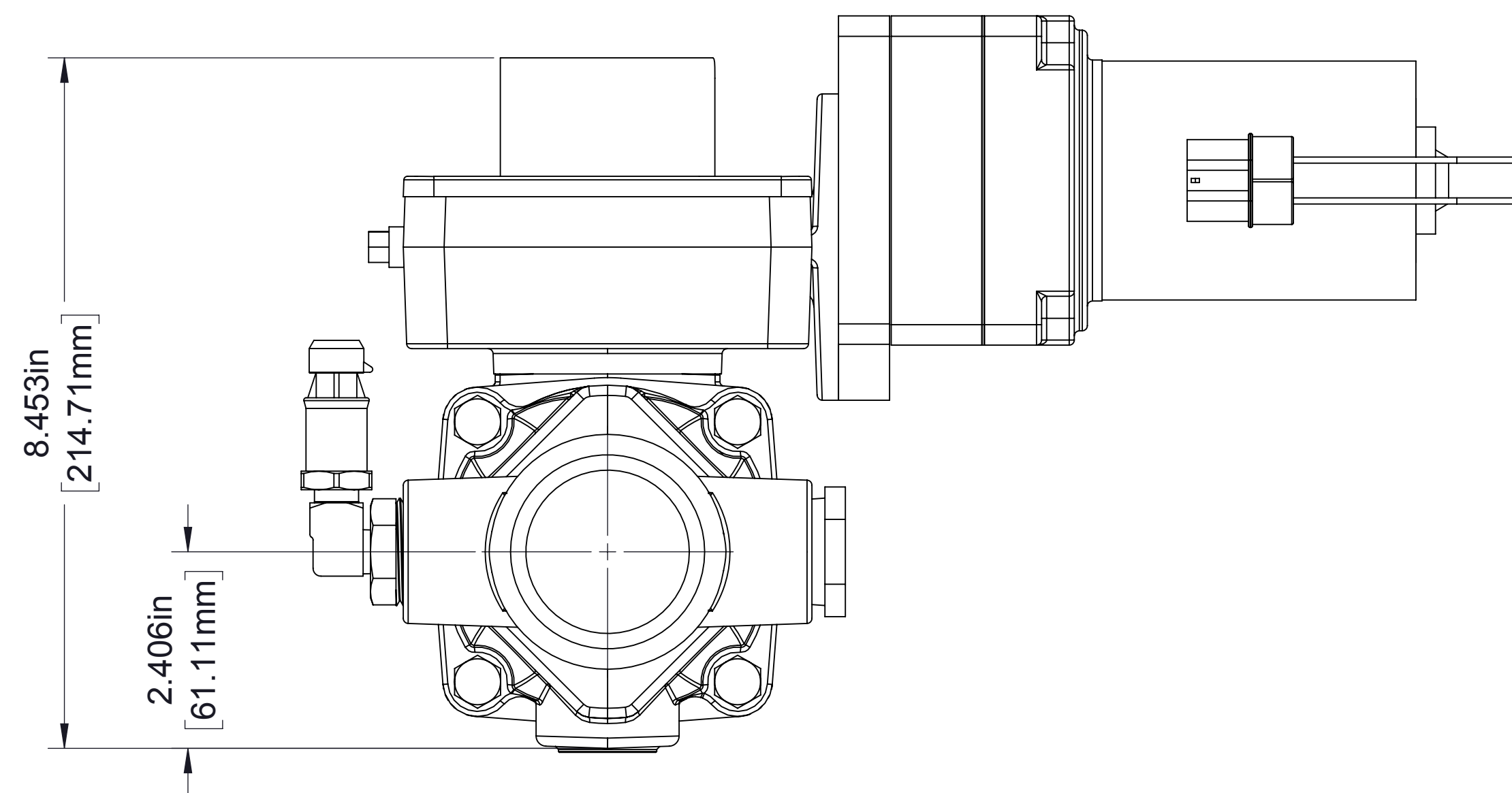
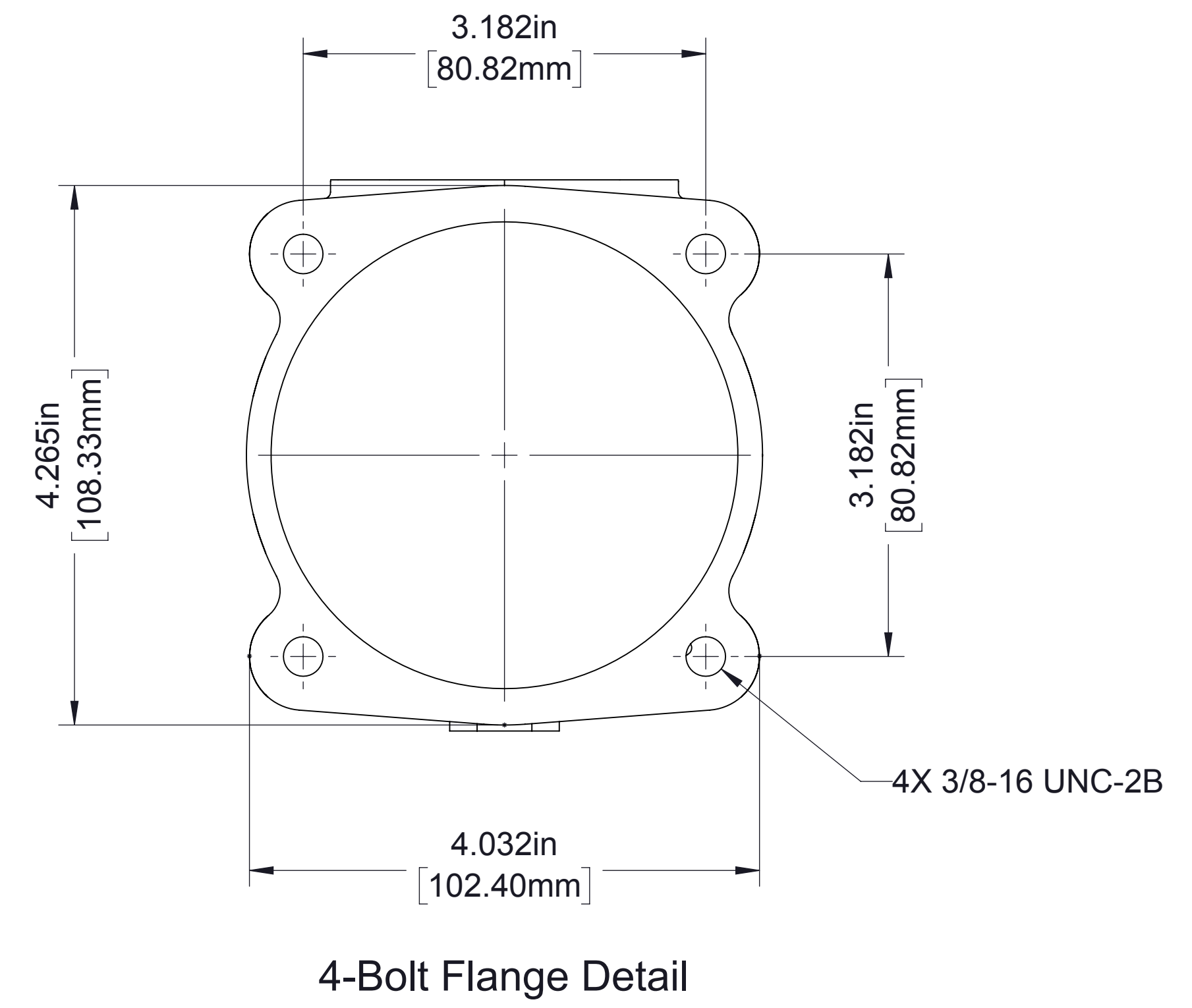
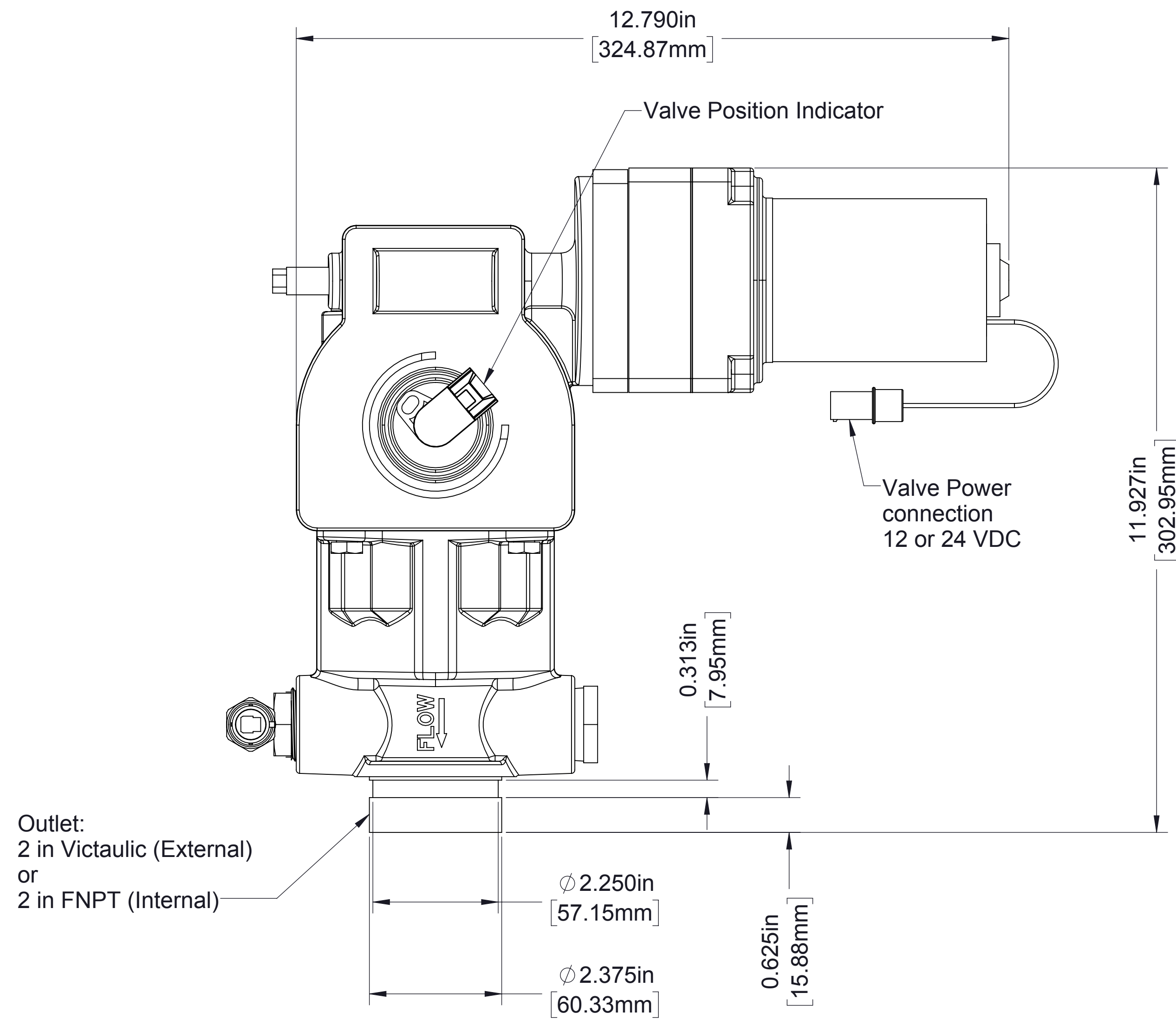
## ICS (Intelligent CAFS Selector) Valves Dimensional Drawings



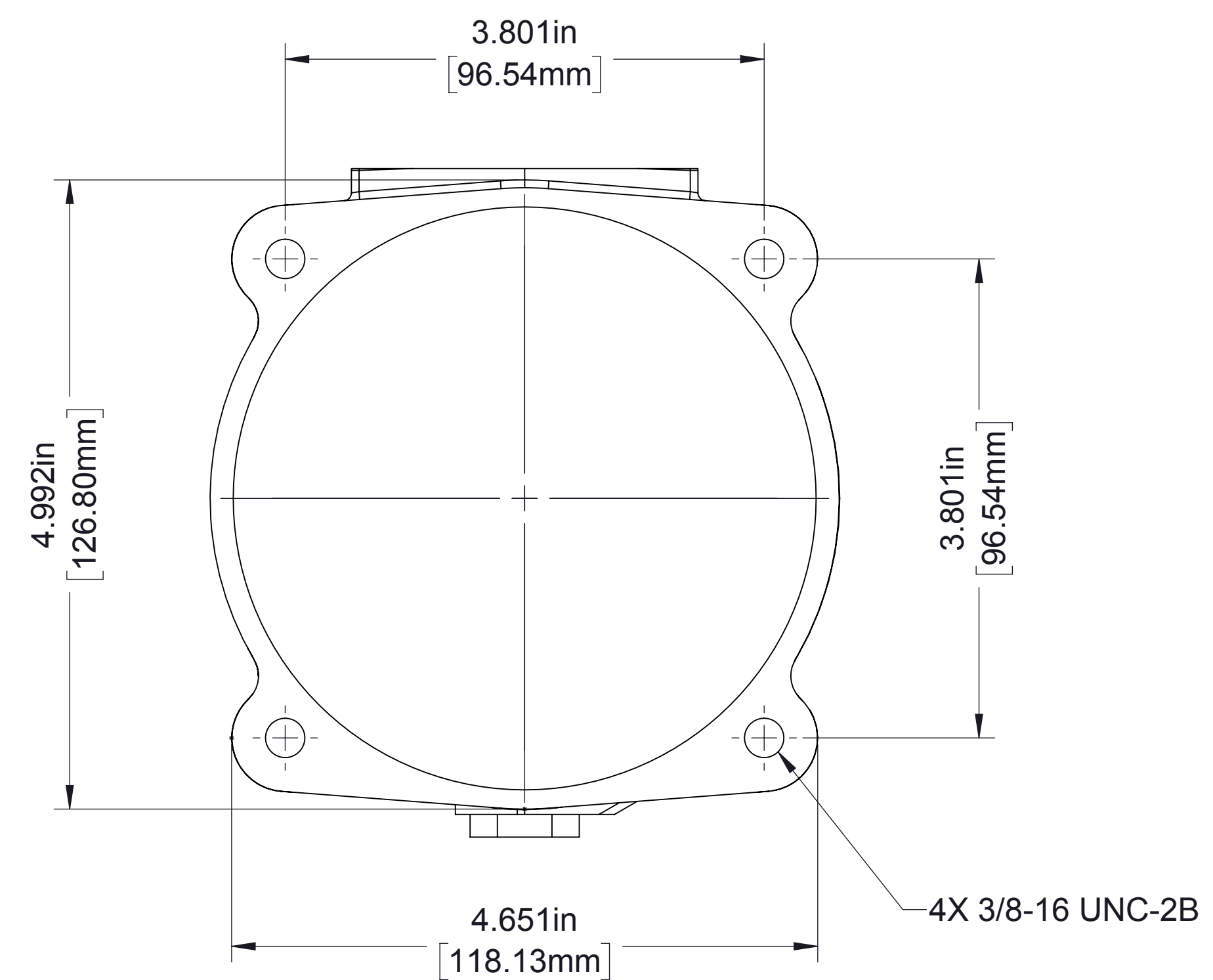
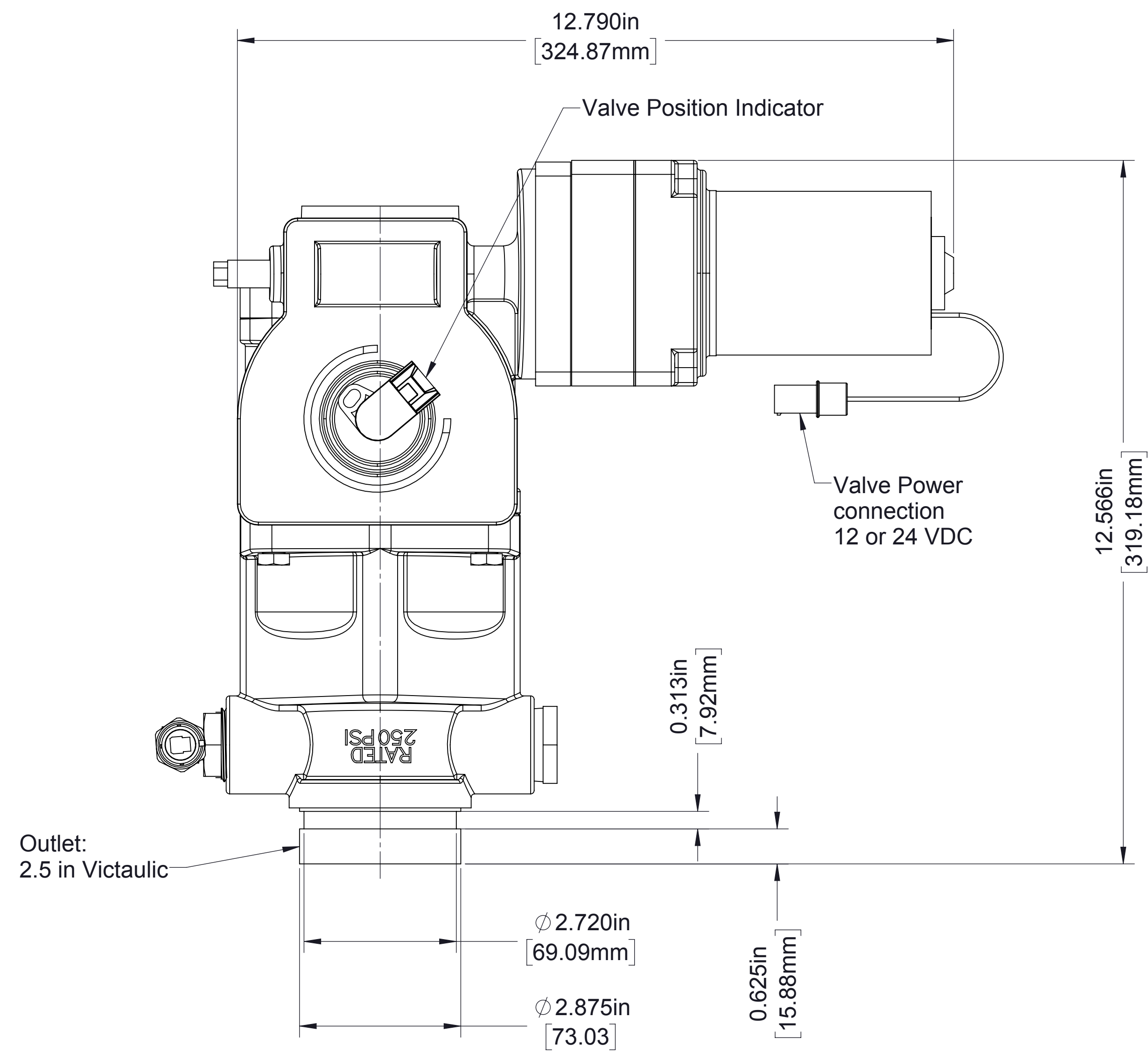
Components:	Page
<b>Electric Ball Valve:</b>	
1.5 in.....	2
2.0 in.....	3
2.5 in.....	4, 5
<b>Control Panel and Cables:</b>	
Single Controller.....	6
Dual Controller (Optional).....	6
<b>Hose and Fittings:</b> .....	7



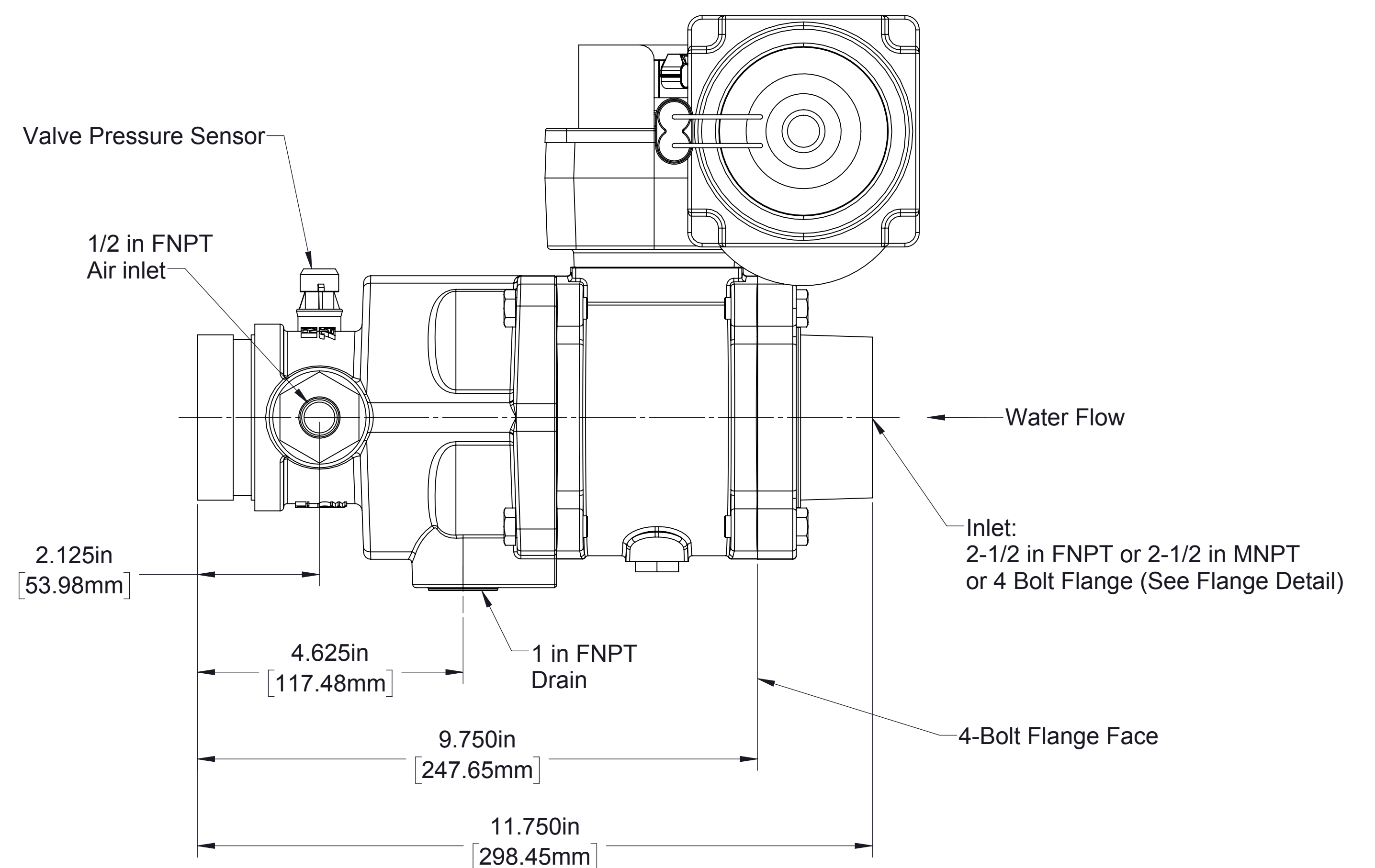
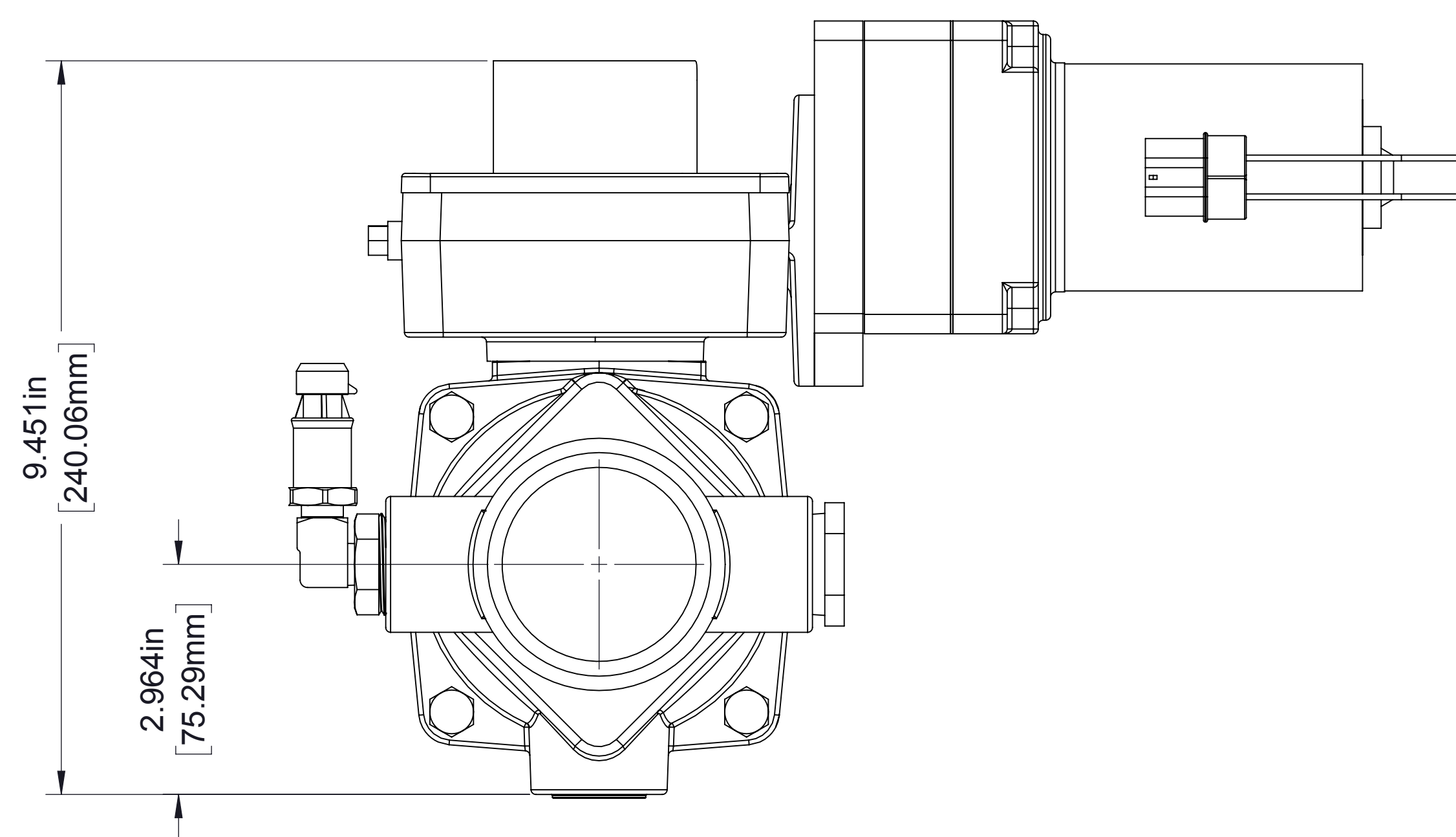
Note:  
1.5 in Valve has both 2 in victaulic and 1.5 in FNPT on outlet.



Note:  
2.0 in Valve has either victaulic or FNPT on outlet.

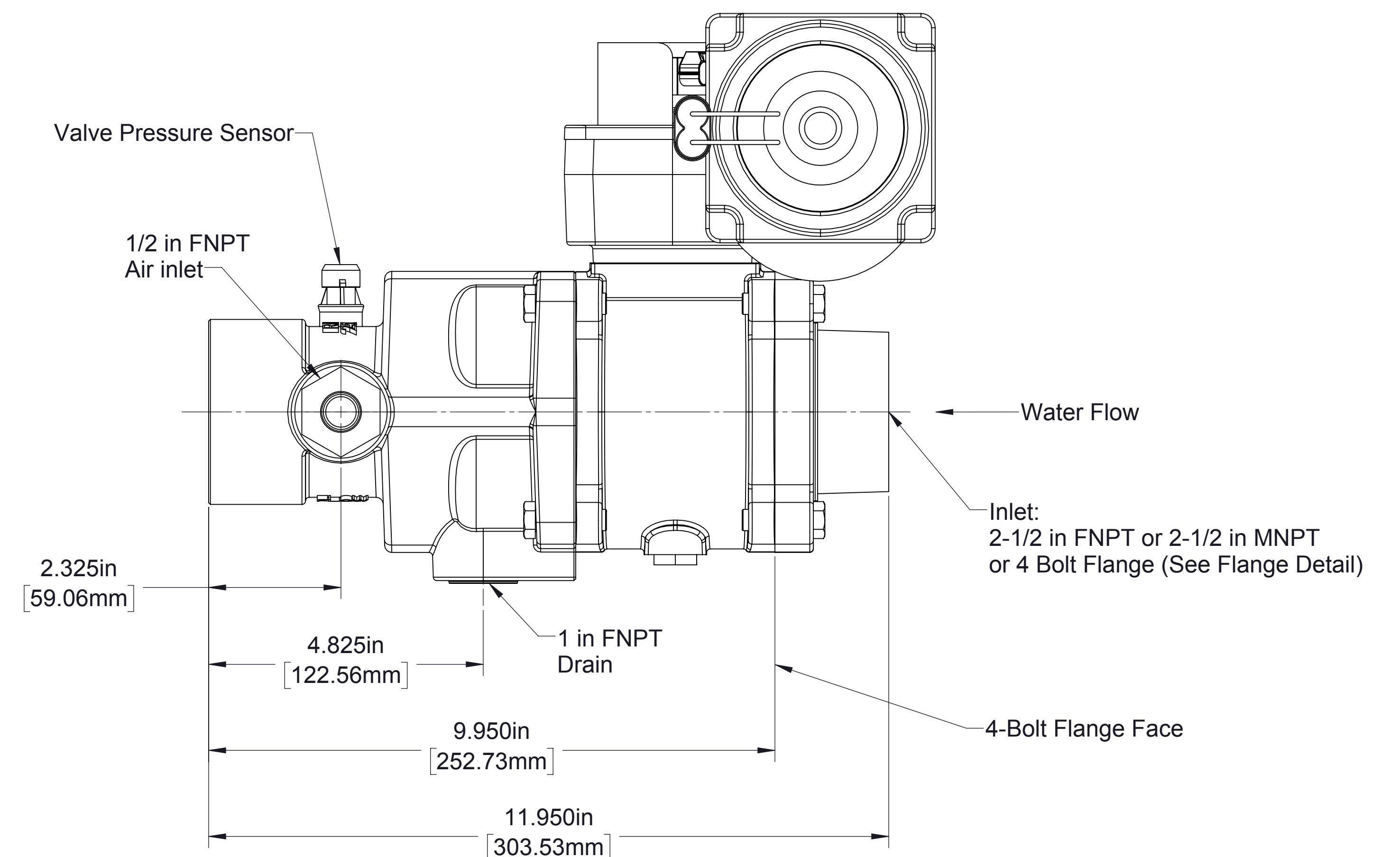
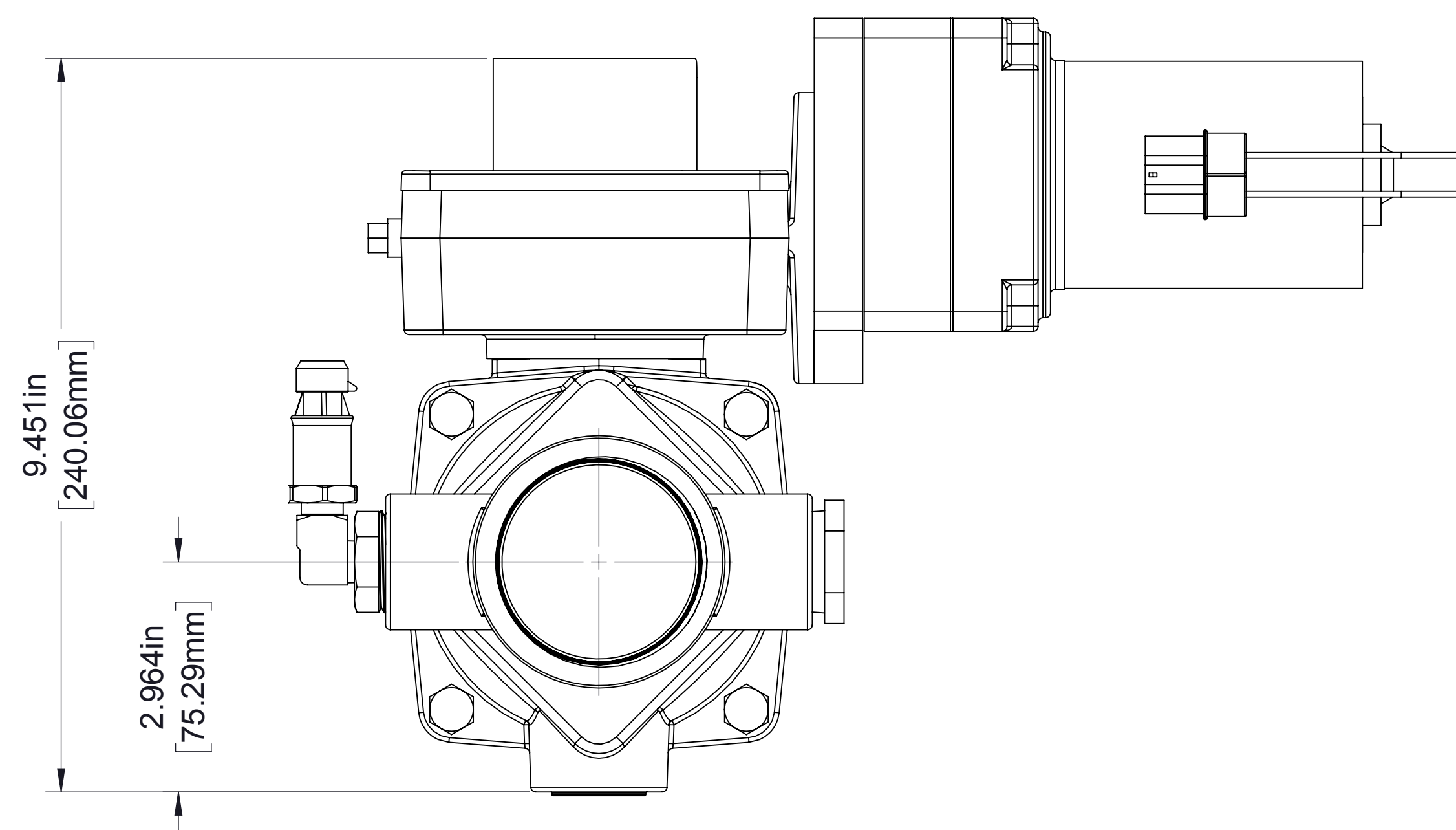
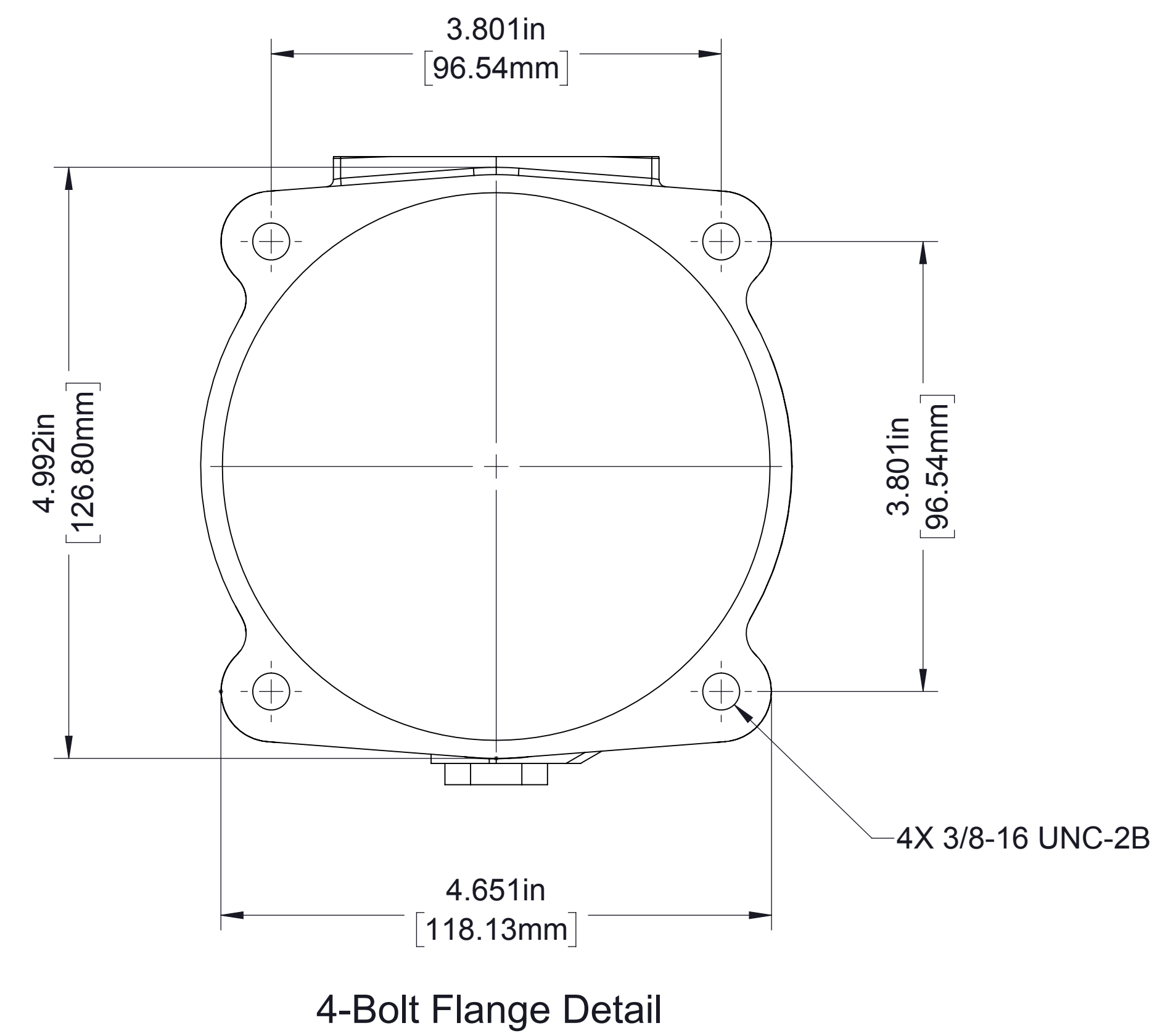
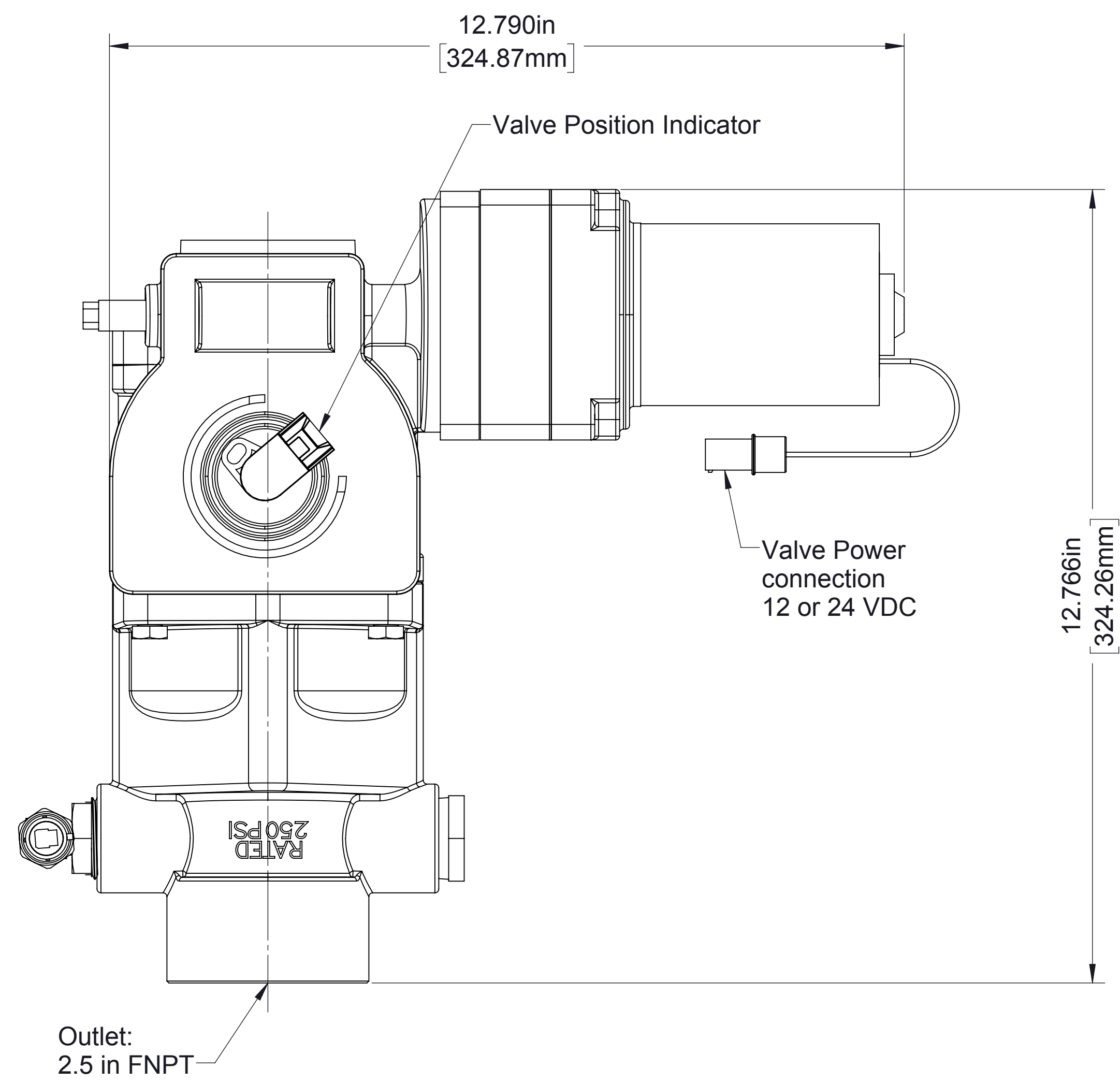


4-Bolt Flange Detail



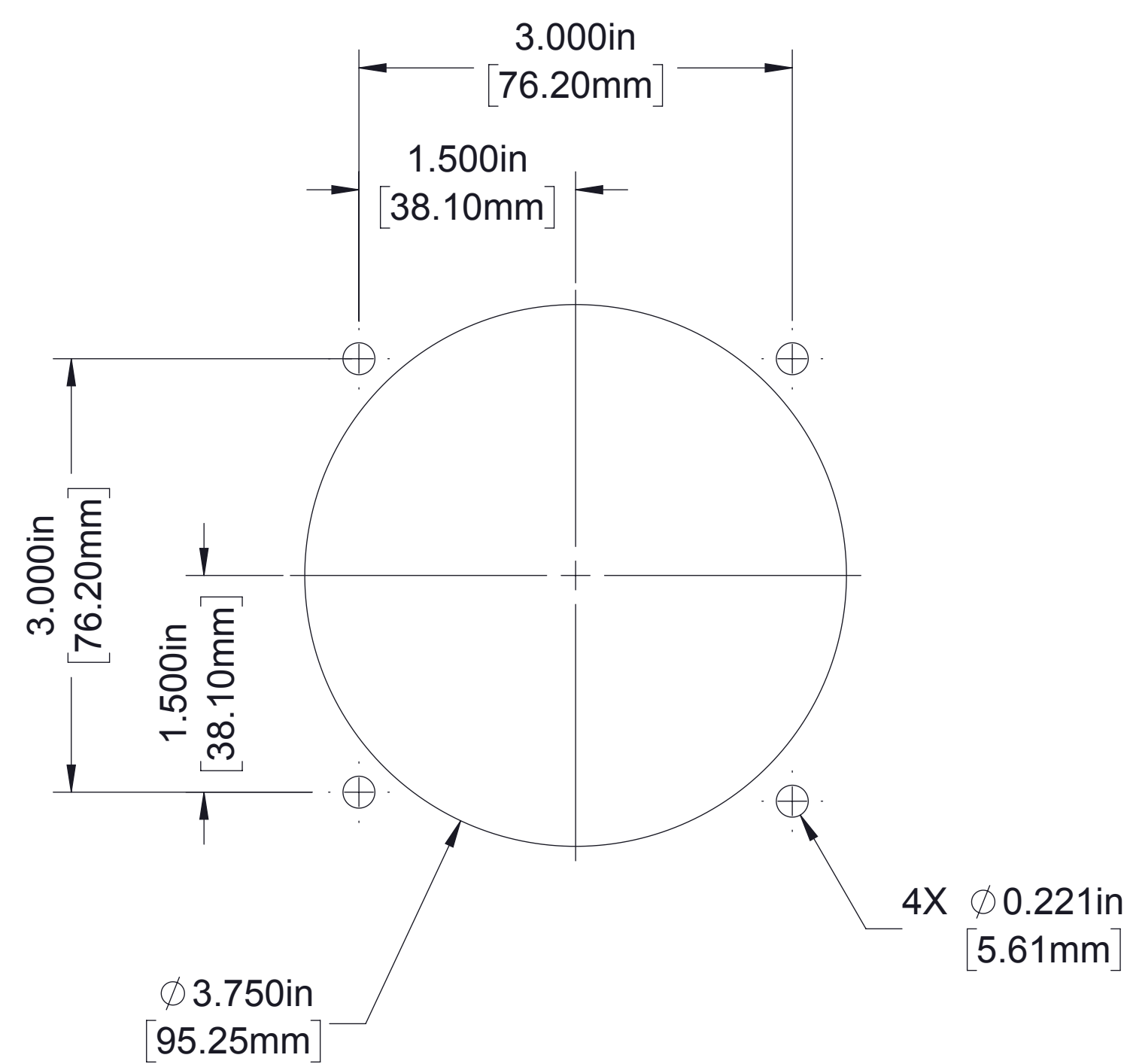
Note:  
2.5 in Valve has either victaulic or FNPT on outlet.  
See page 5 for FNPT outlet.

**2.5 in Electric Ball Valve**  
(2.5 in Victaulic Outlet)

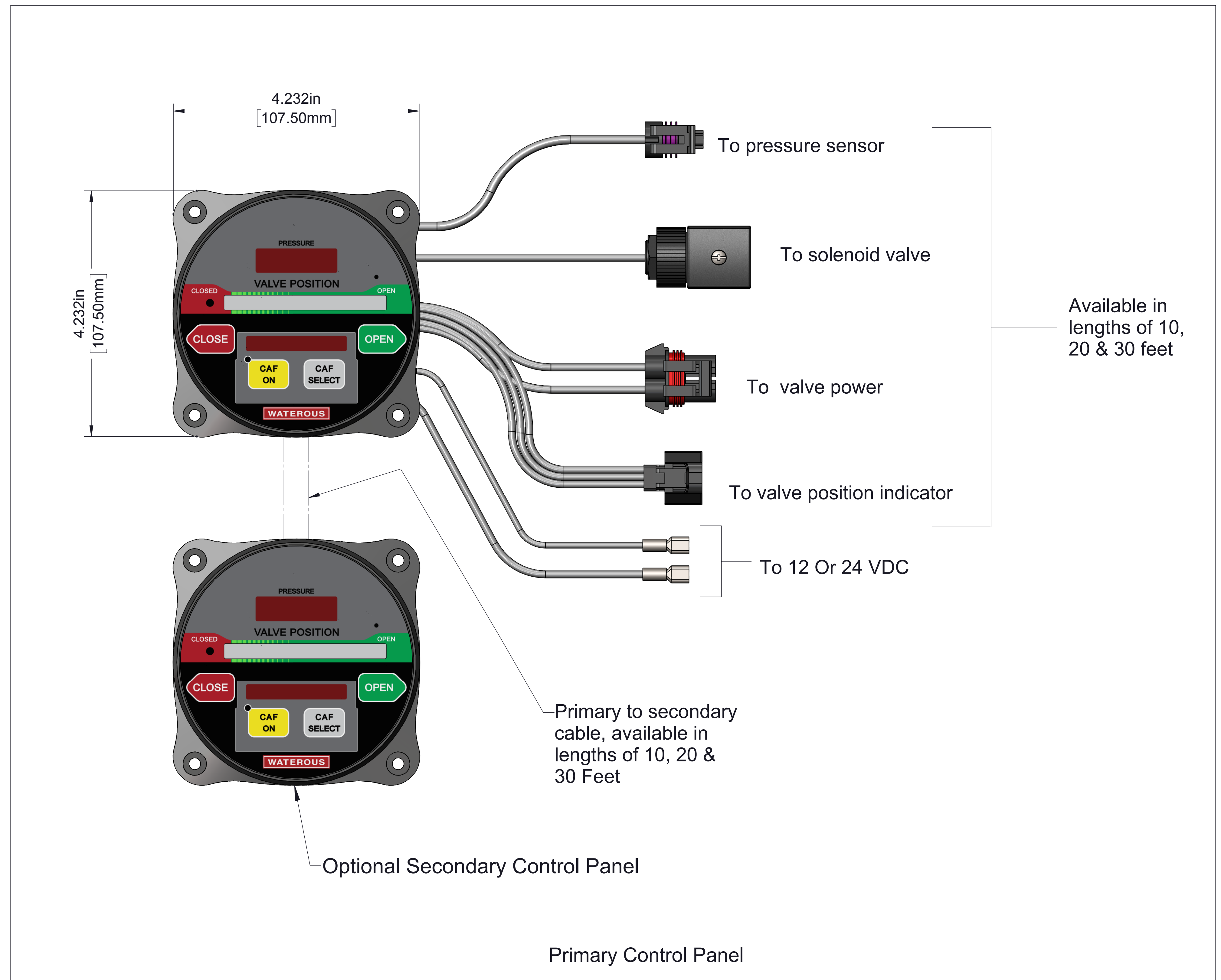


Note:  
2.5 in Valve has either victaulic or FNPT on outlet.  
See page 4 for victaulic outlet.

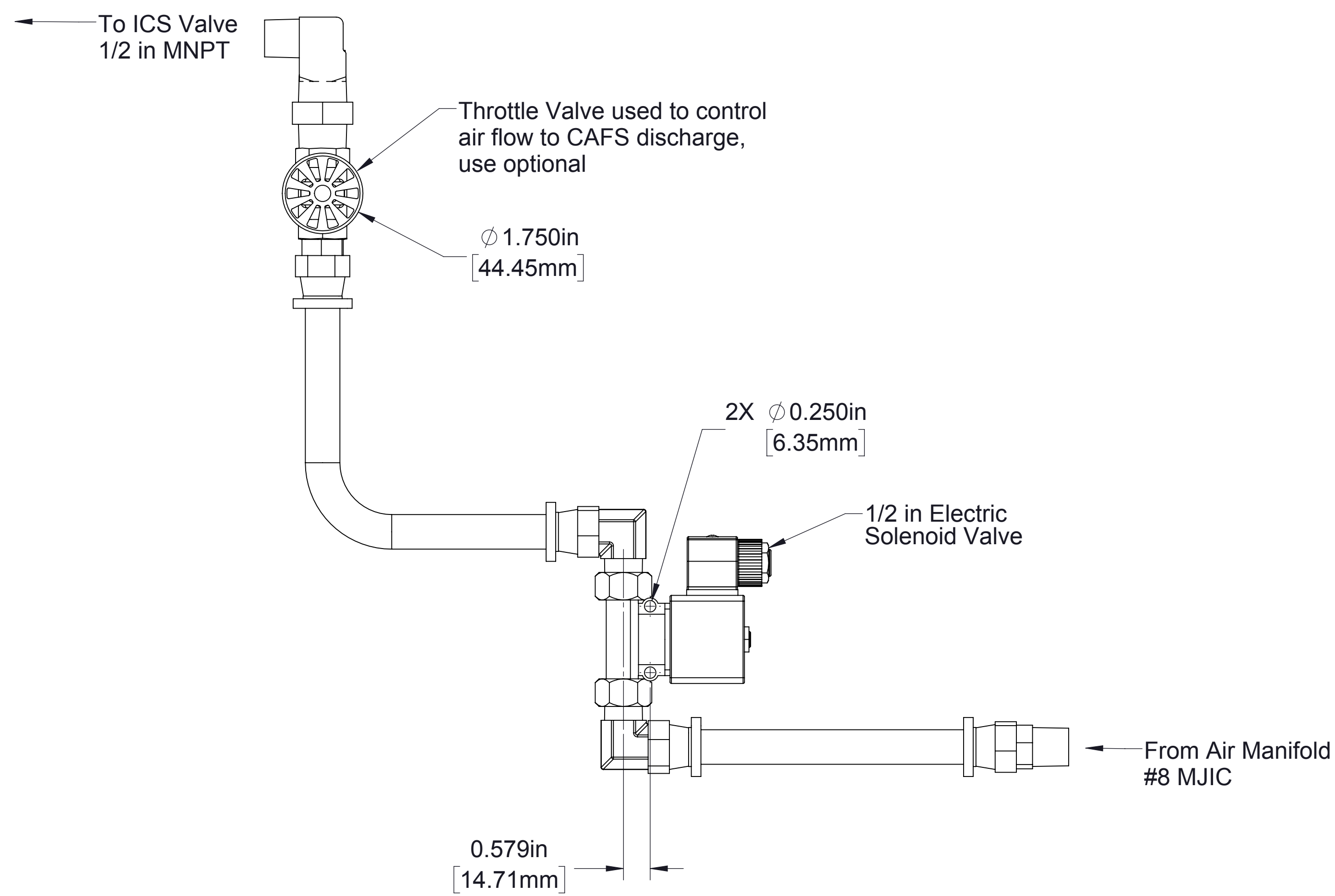
**2.5 in Electric Ball Valve**  
(2.5 in FNPT Outlet)



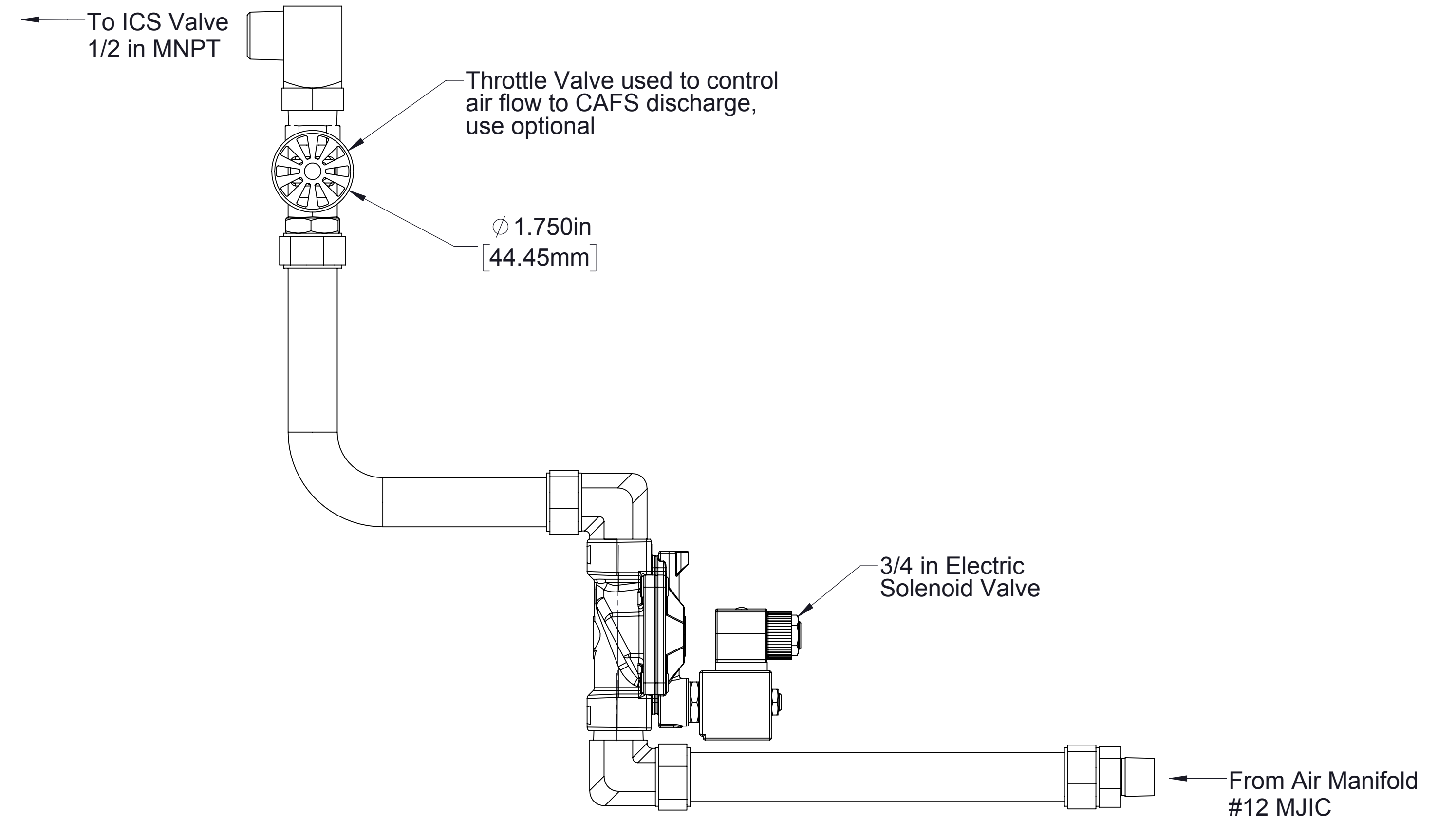
Panel Cut-Out



Available in lengths of 10, 20 & 30 feet



1.5 in and 2.0 in Valve, 1/2 in Hose and Fittings



2.5 in Valve, 3/4 in Hose and Fittings

Note:  
10 feet/3.04 meter length of hose furnished with each valve.