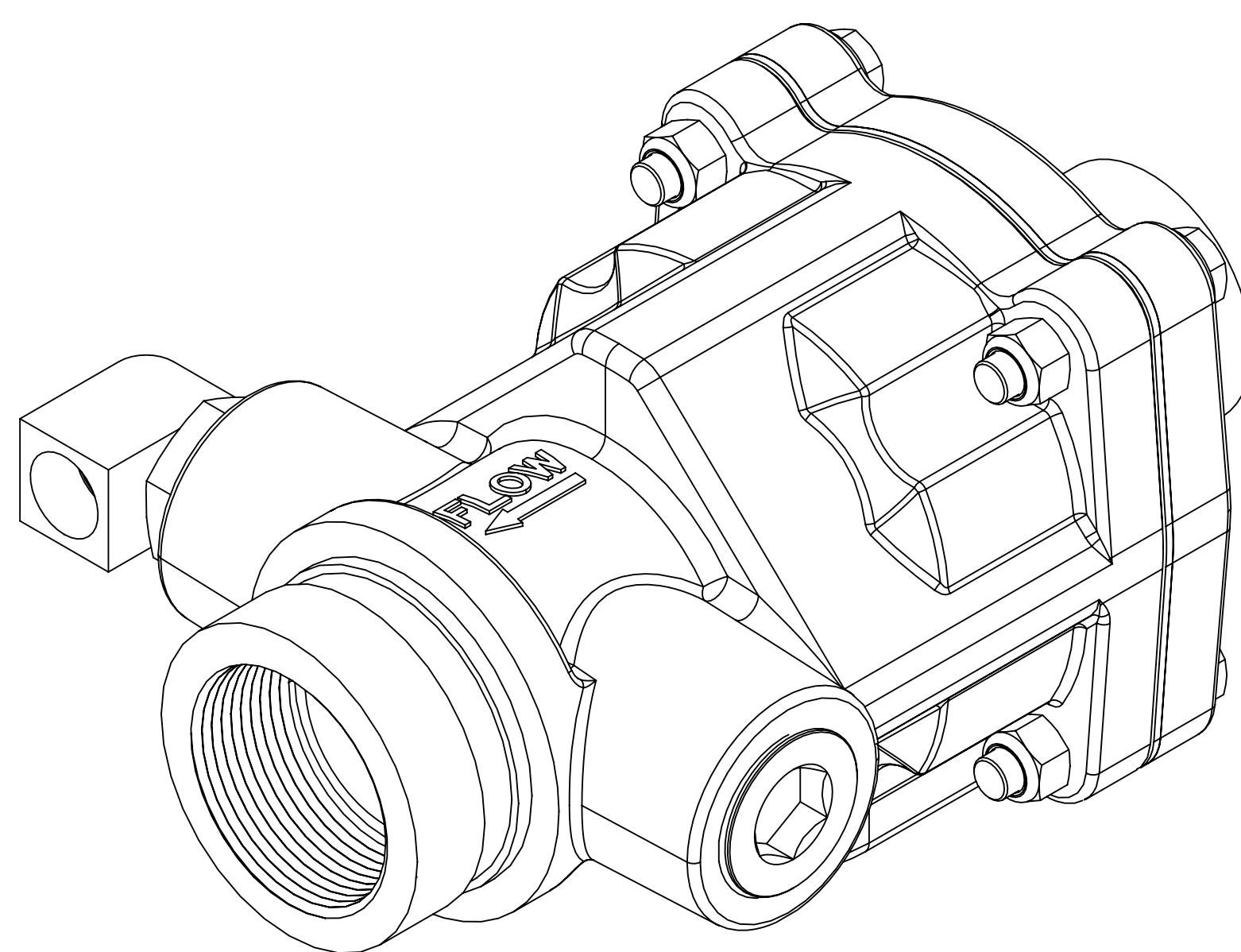
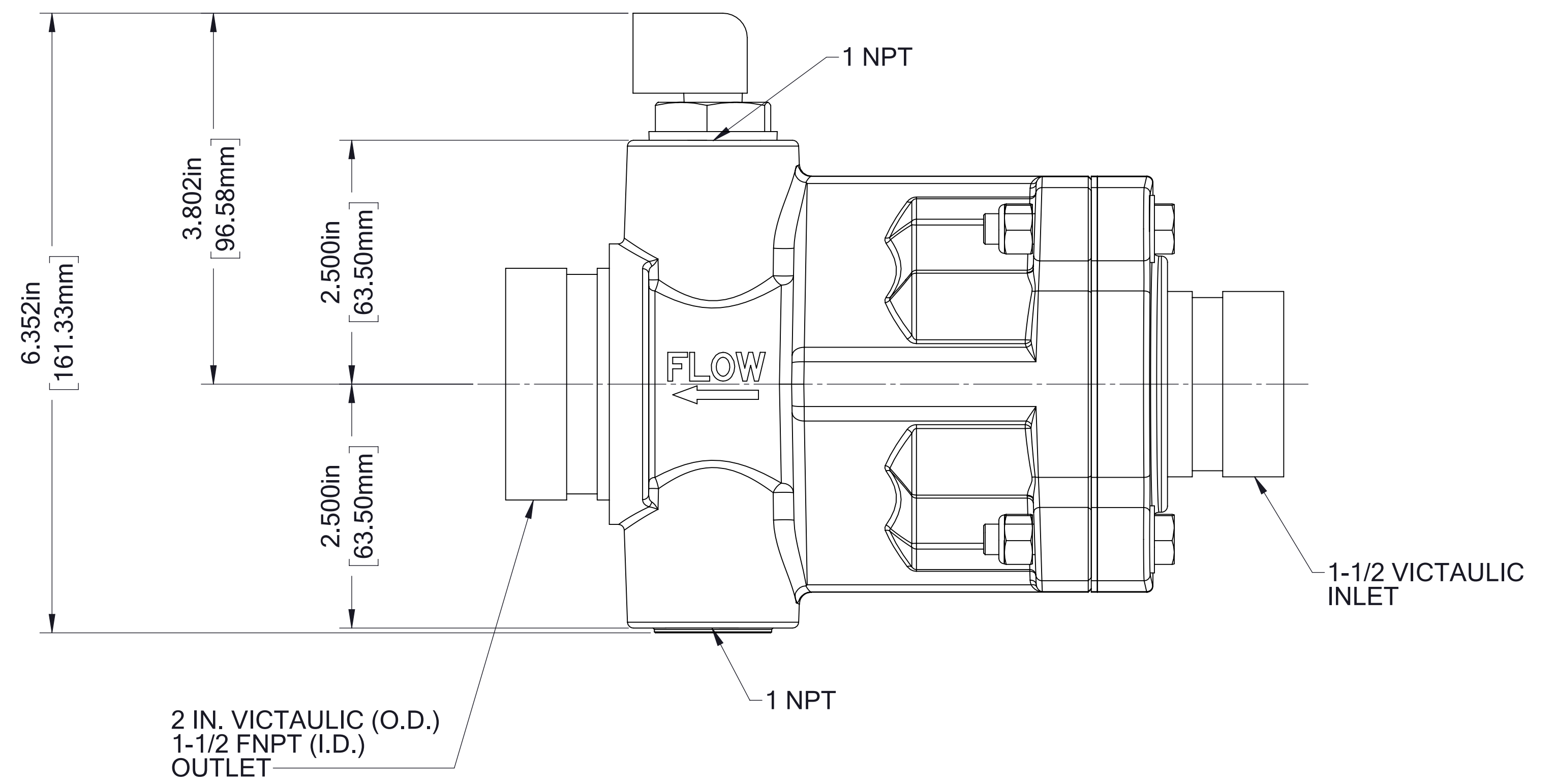
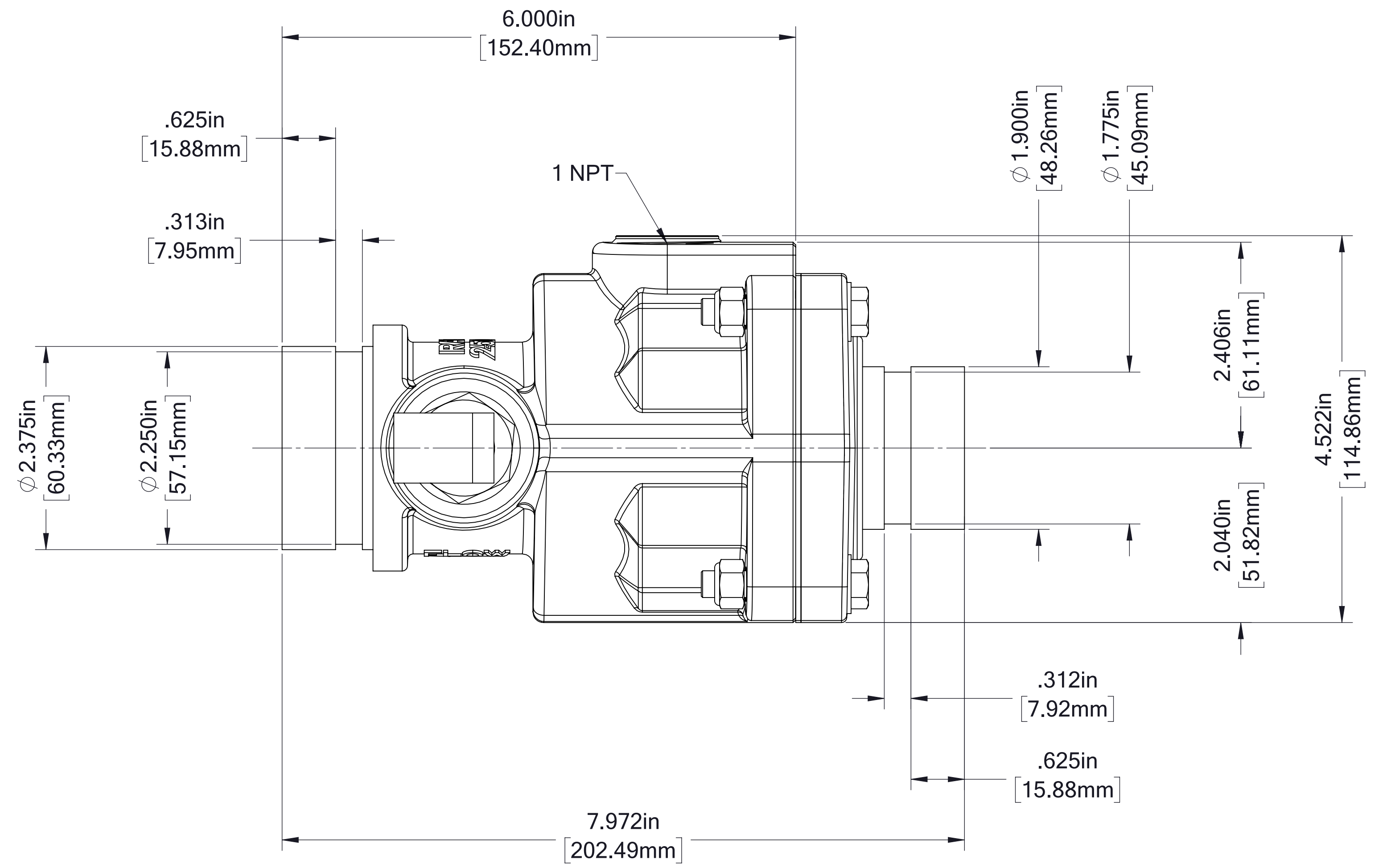
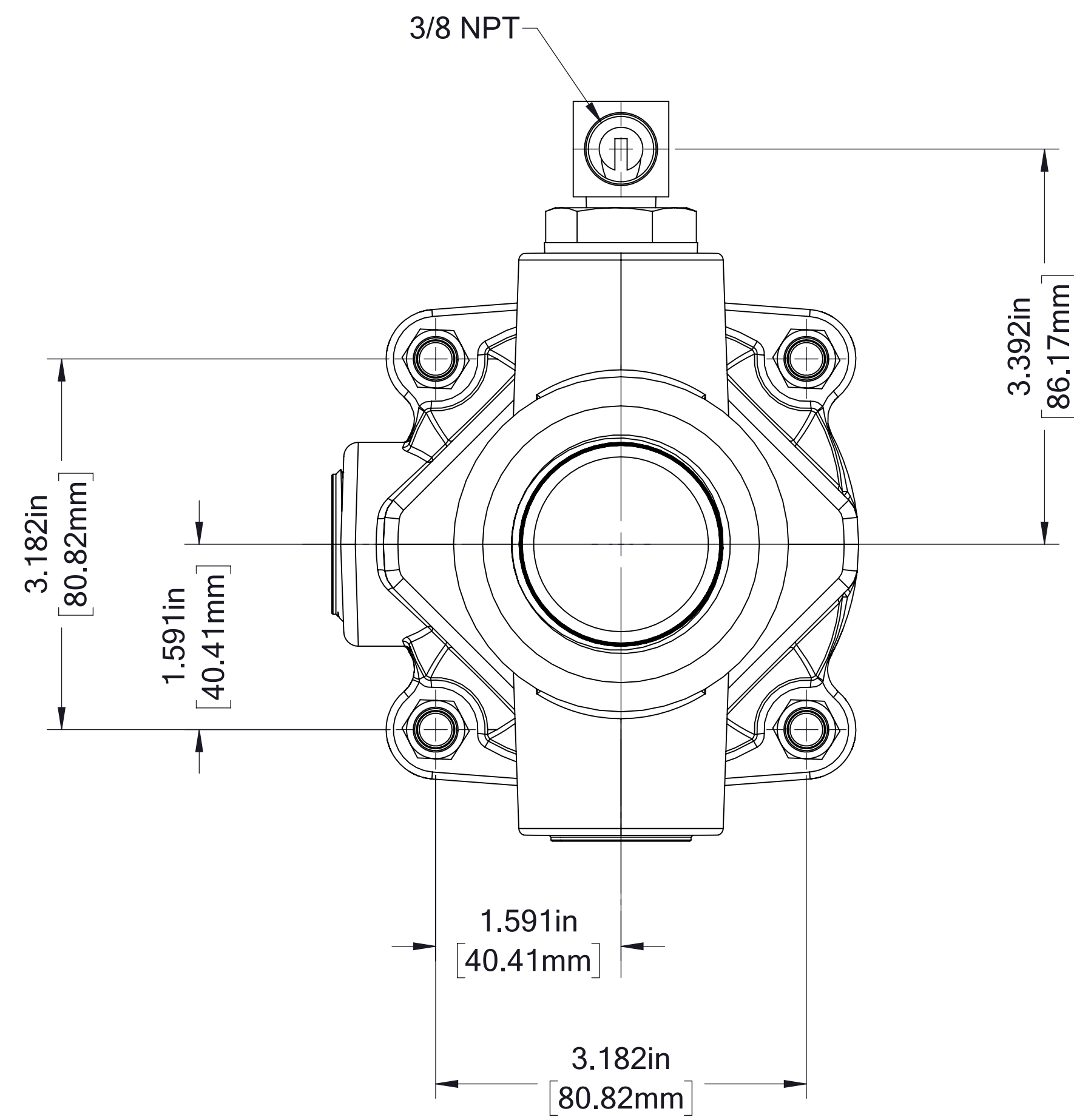


# Master Waterway Check Valve Dimensional Drawings

Optional for Aquis Foam Systems

| Valve   |             | Part Number    | See Page |        |
|---------|-------------|----------------|----------|--------|
| Size    | Connections |                |          |        |
|         | Inlet       |                |          | Outlet |
| 1.5 in. | Victaulic   | FNPT/Victaulic | 83380-2A | 2      |
|         | FNPT        | FNPT/Victaulic | 83380-2B | 3      |
| 2.0 in. | Victaulic   | FNPT           | 83380-2C | 4      |
|         |             | Victaulic      | 83380-2D | 5      |
| 2.5 in. | Victaulic   | FNPT           | 83380-2E | 6      |
|         |             | Victaulic      | 83380-2F | 7      |

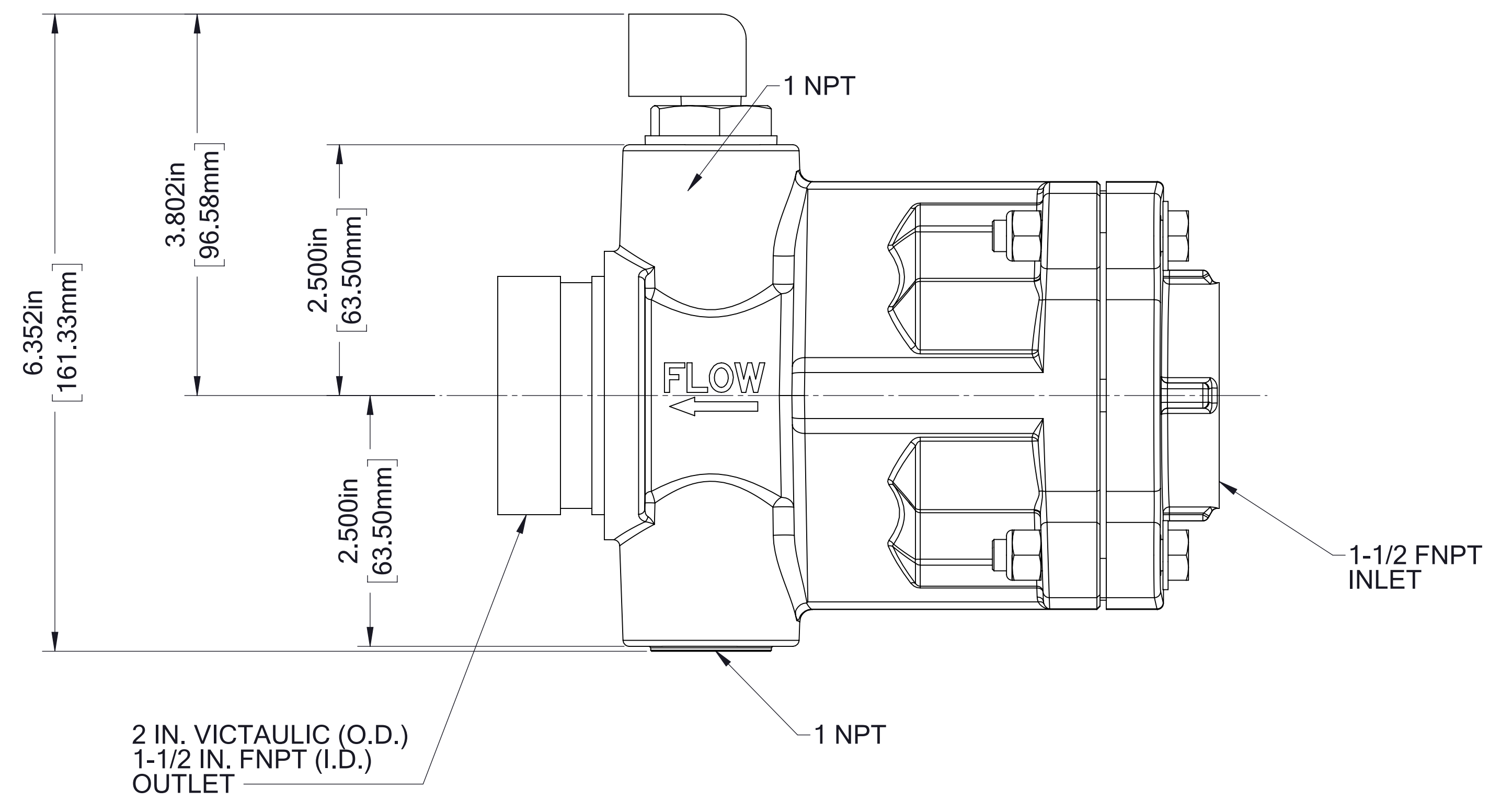
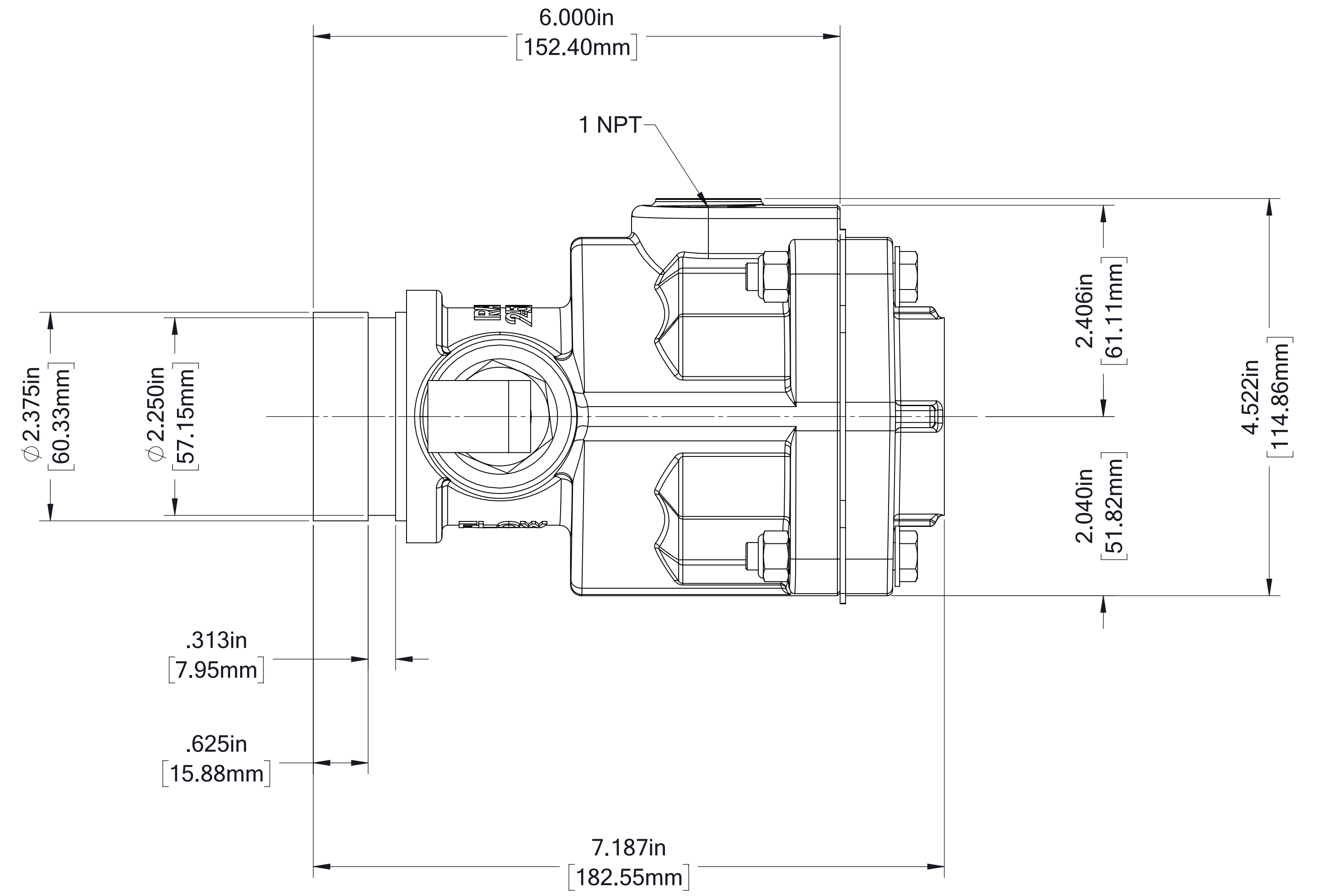
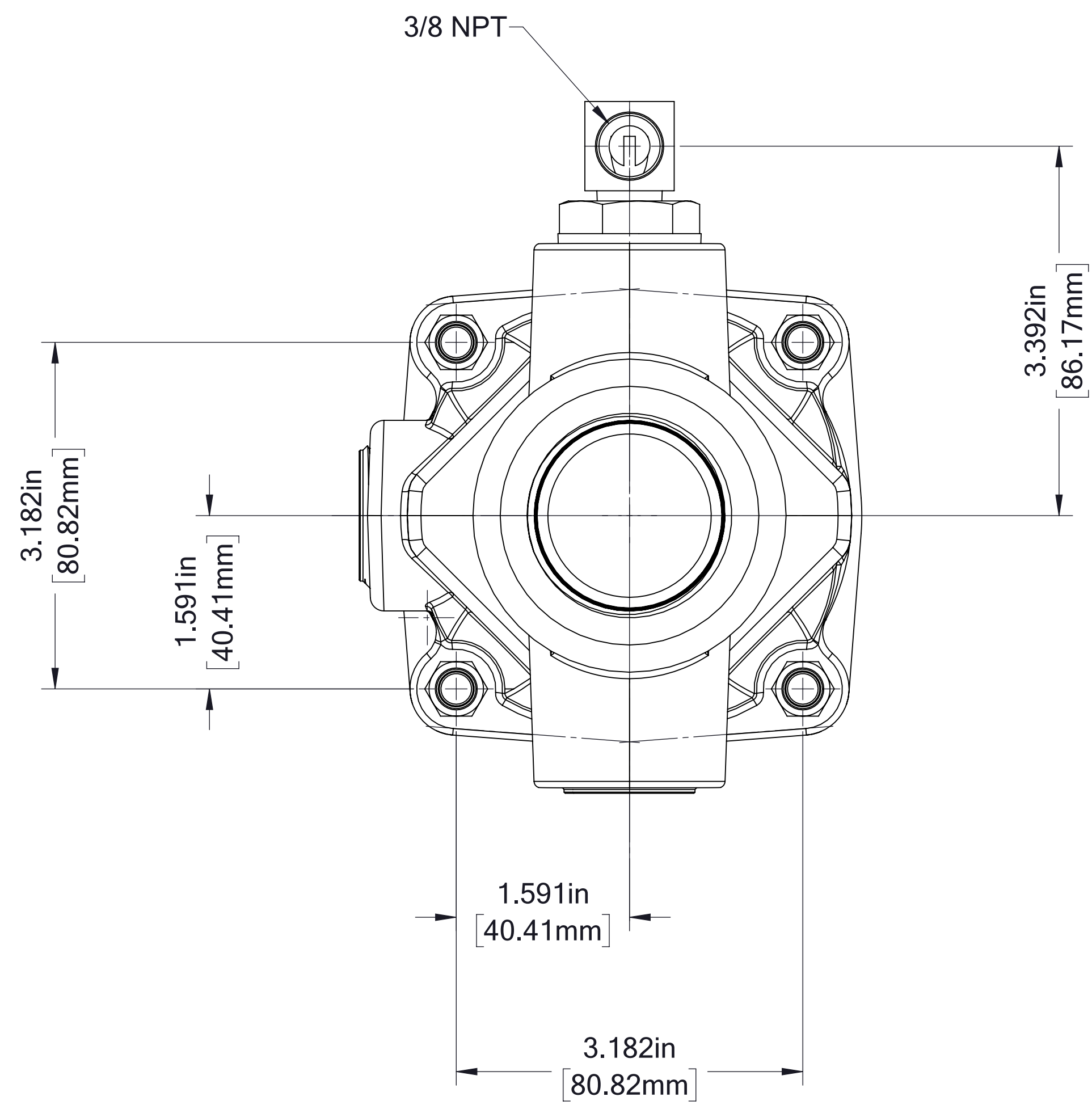




## ELKHART CHECK VALVE, 1.5 IN.

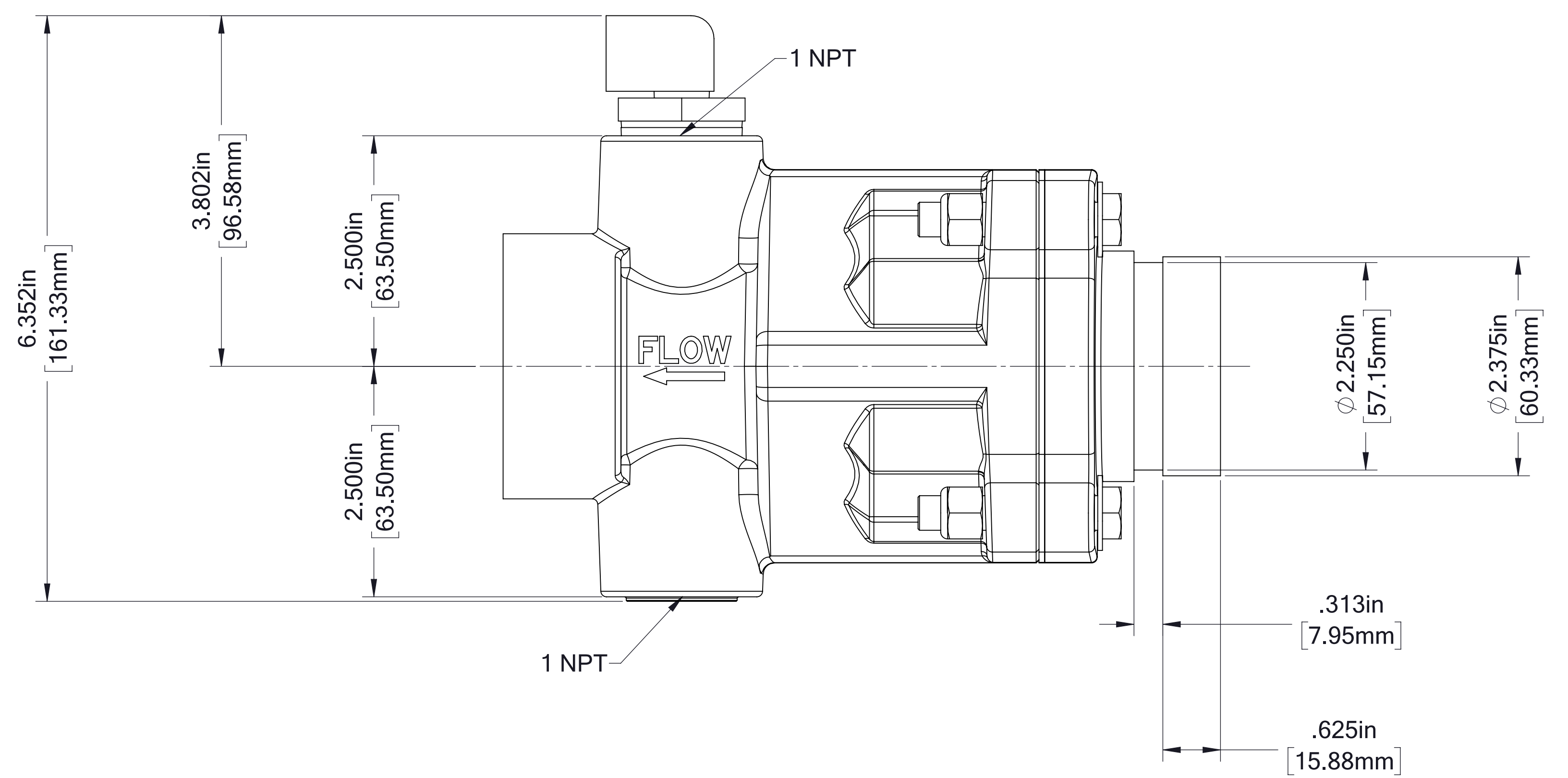
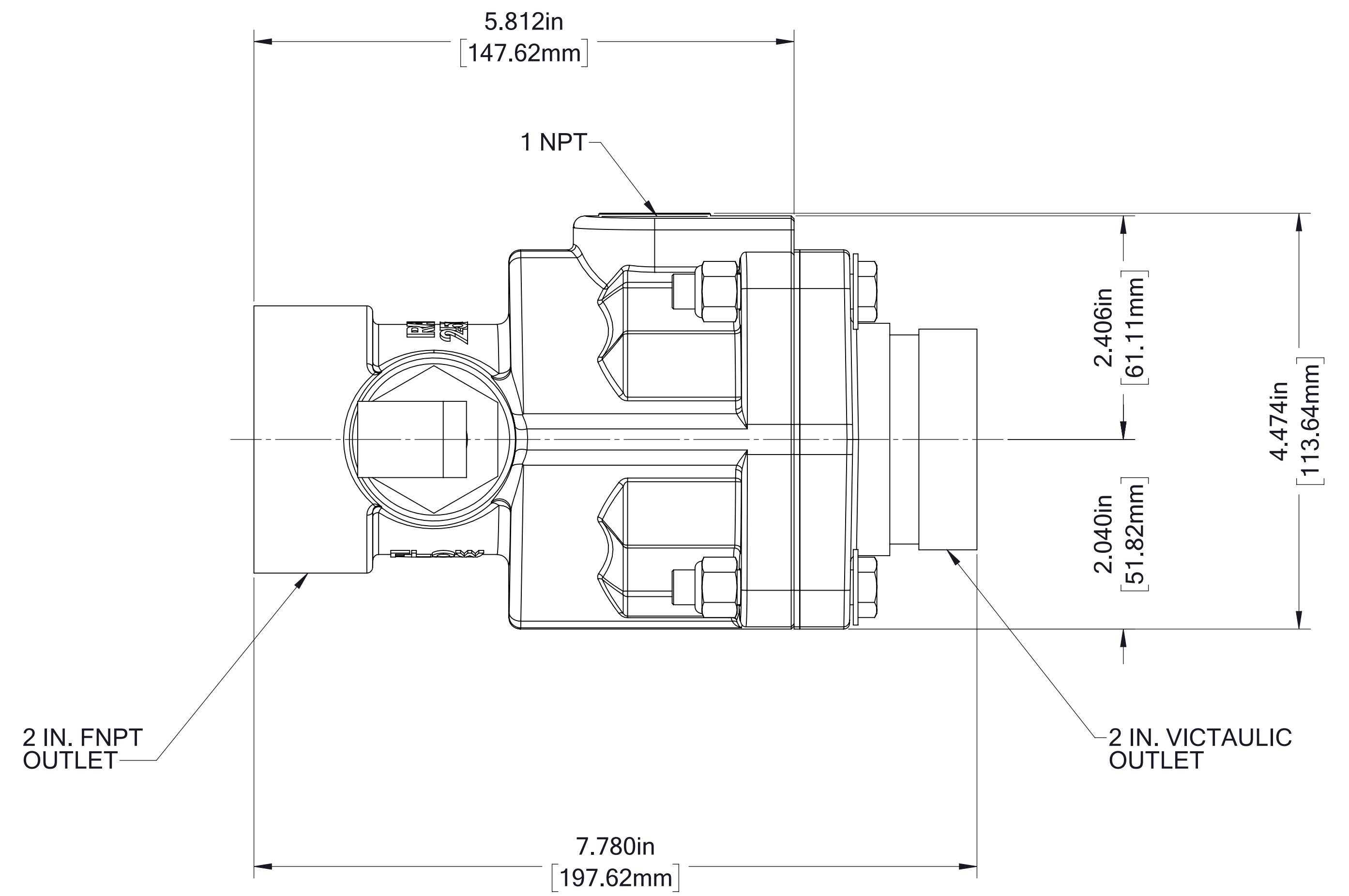
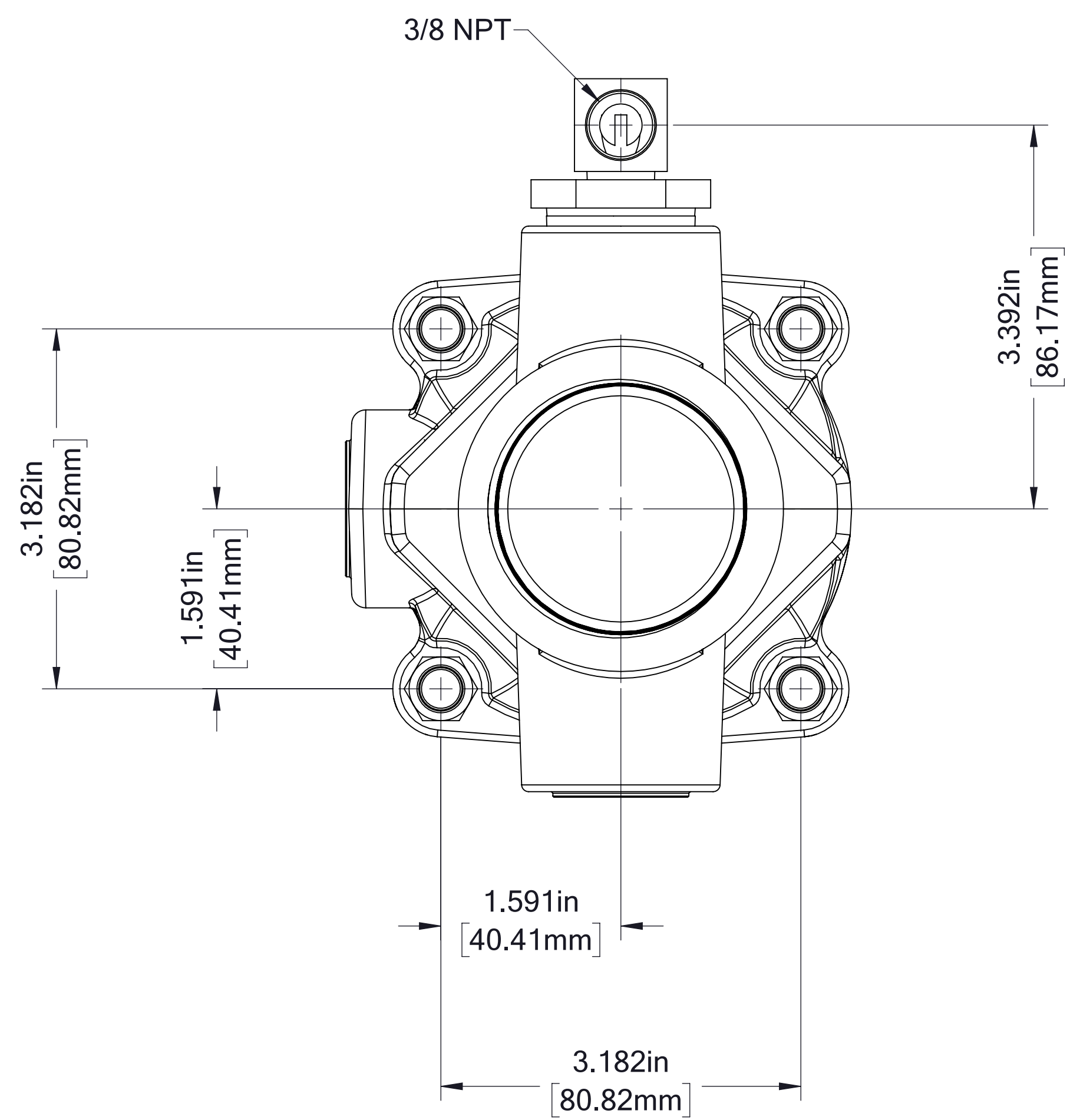
VICTAULIC/FNPT X VICTAULIC

PART NUMBER: 83380-2A



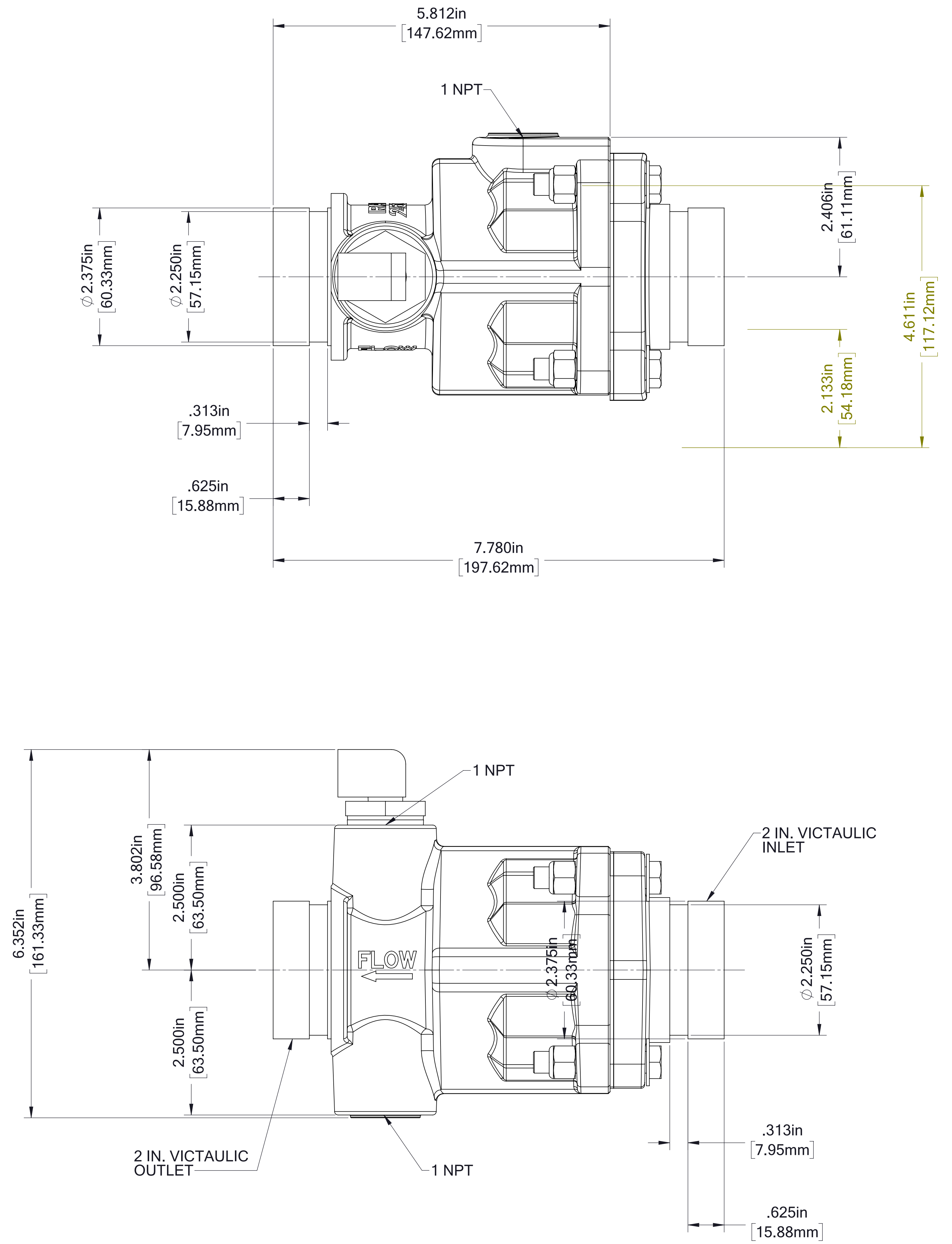
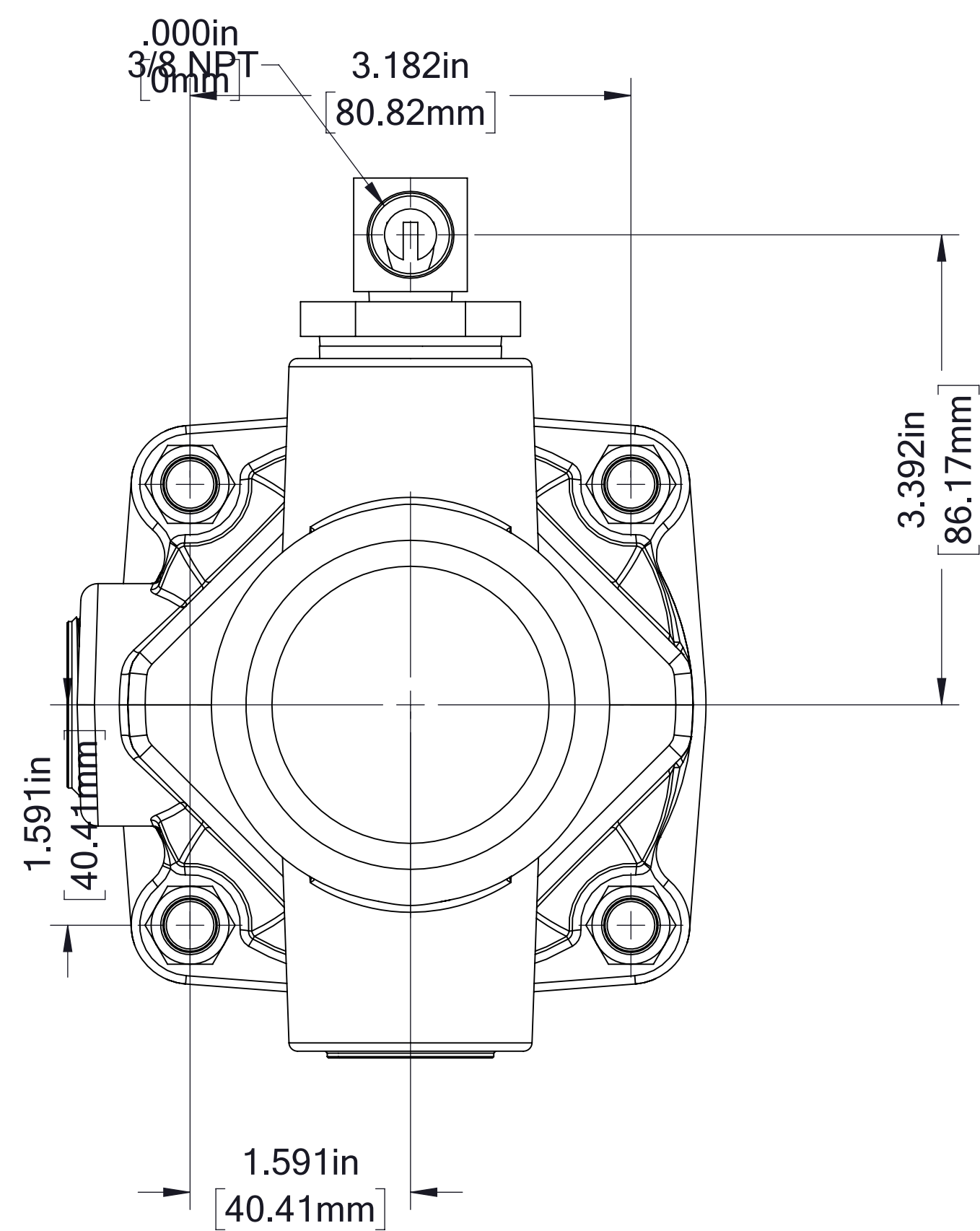
### ELKHART CHECK VALVE, 1.5 IN.

VICTAULIC/FNPT X FNPT  
PART NUMBER: 83380-2B



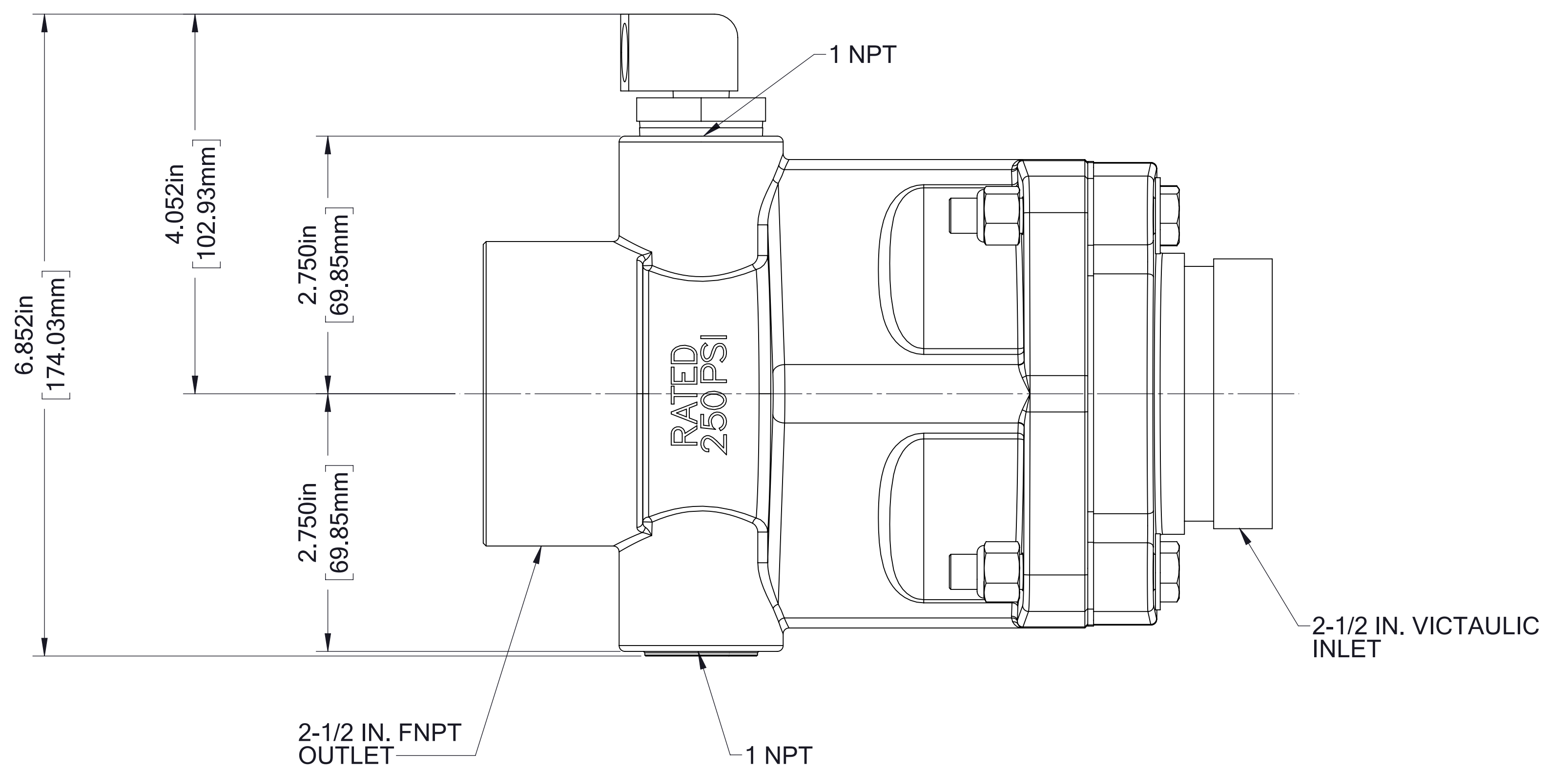
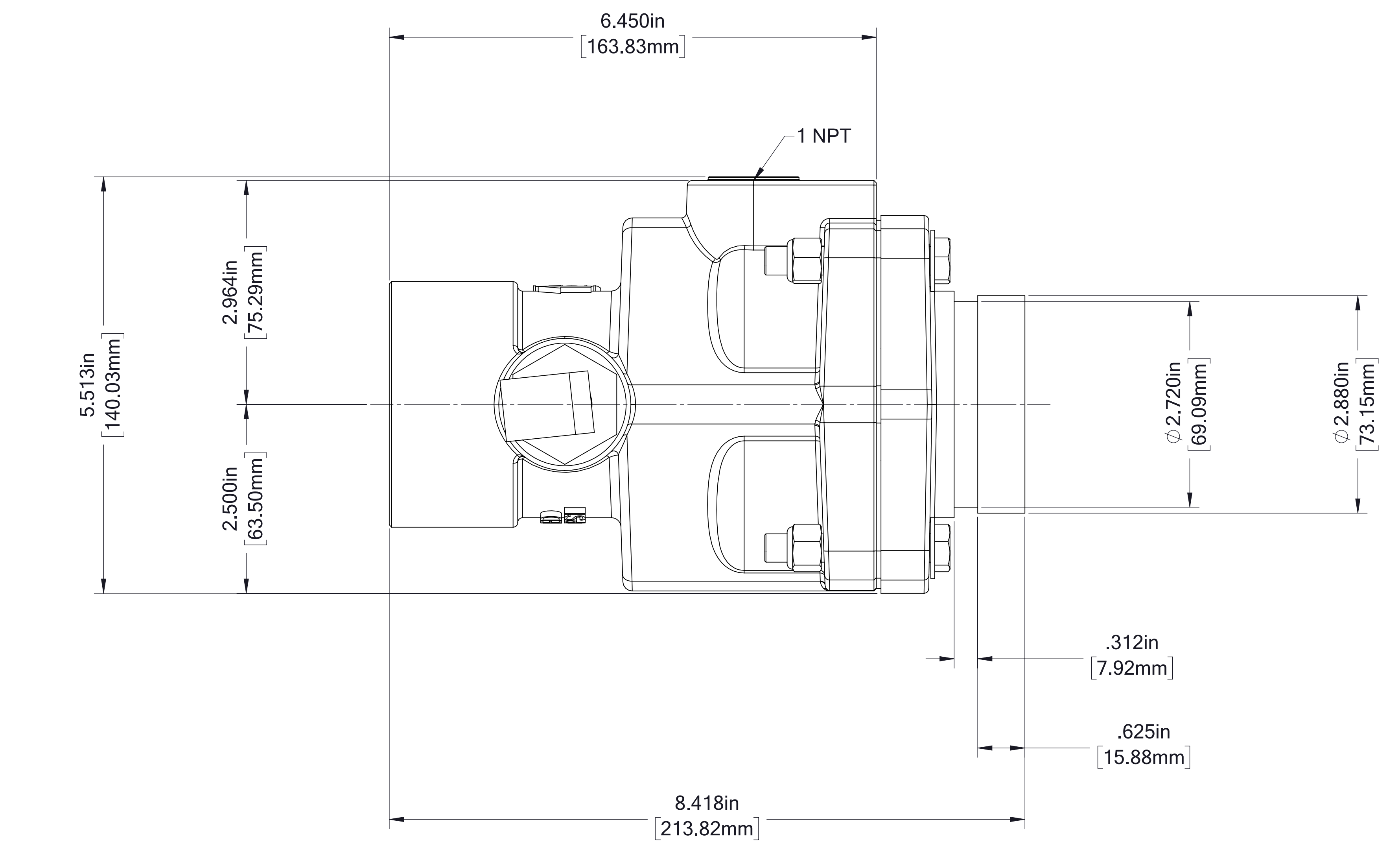
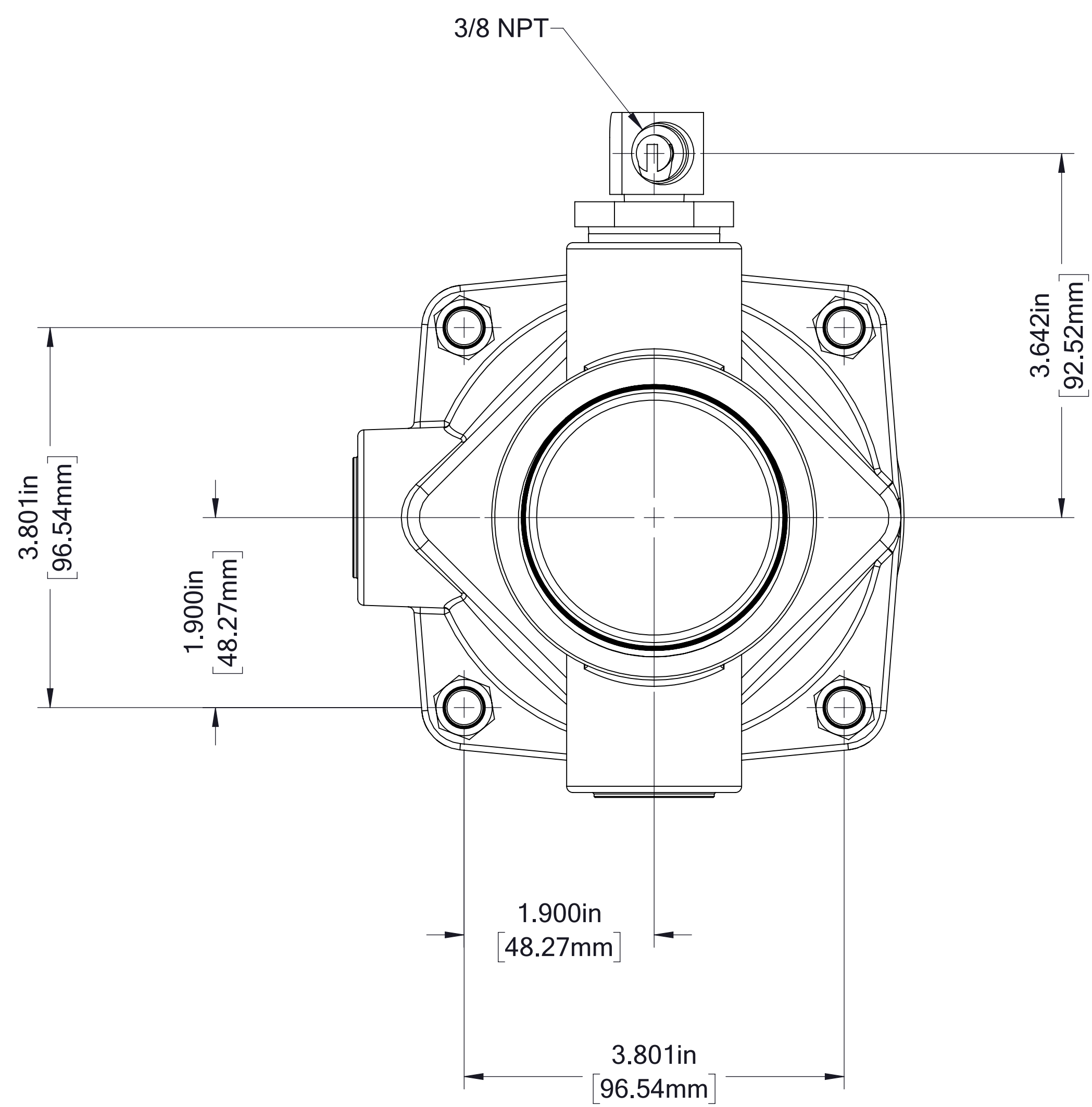
**ELKHART CHECK VALVE, 2.0 IN.**

VICTAULIC X FNPT  
 PART NUMBER: 83380-2C



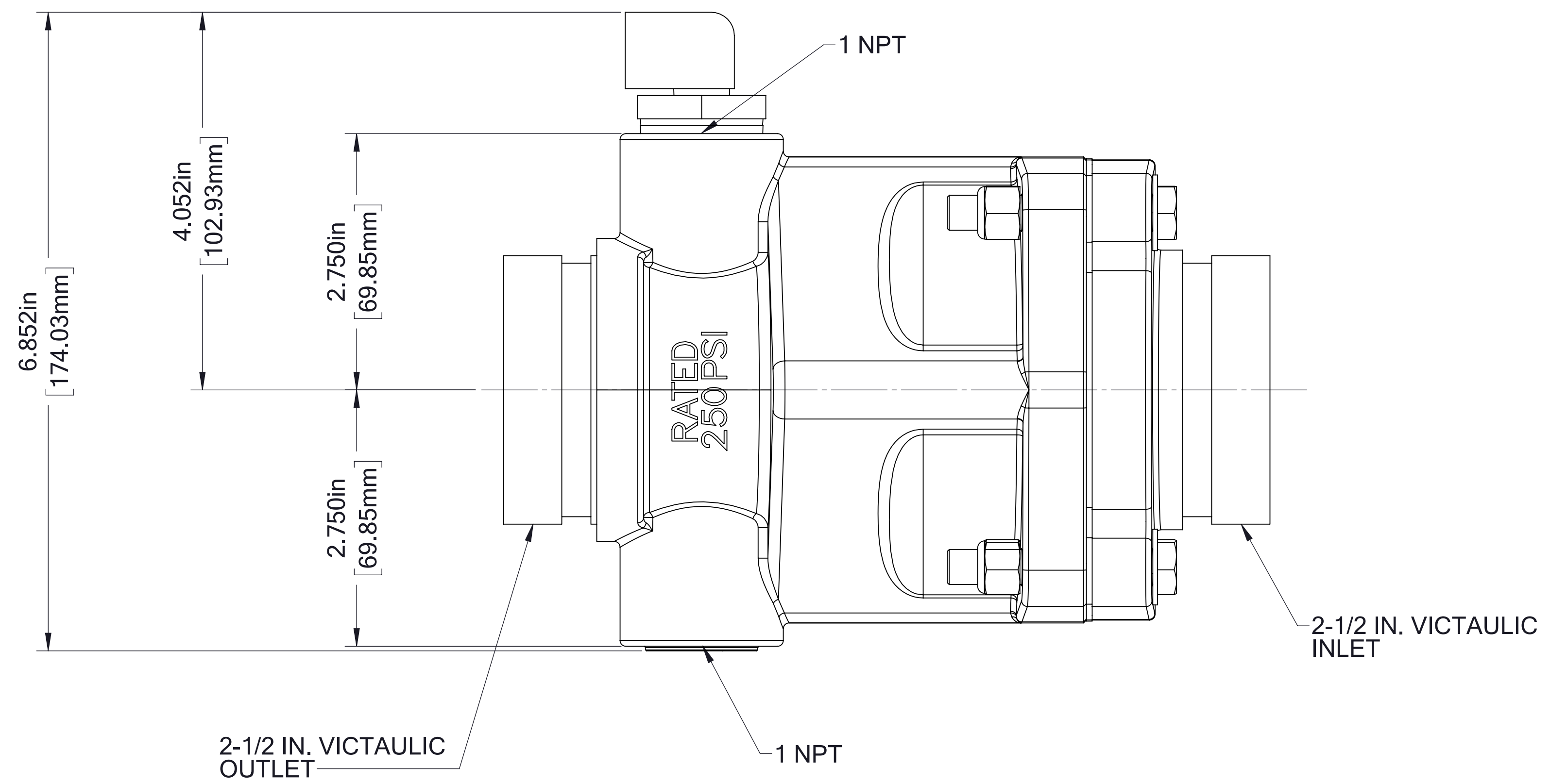
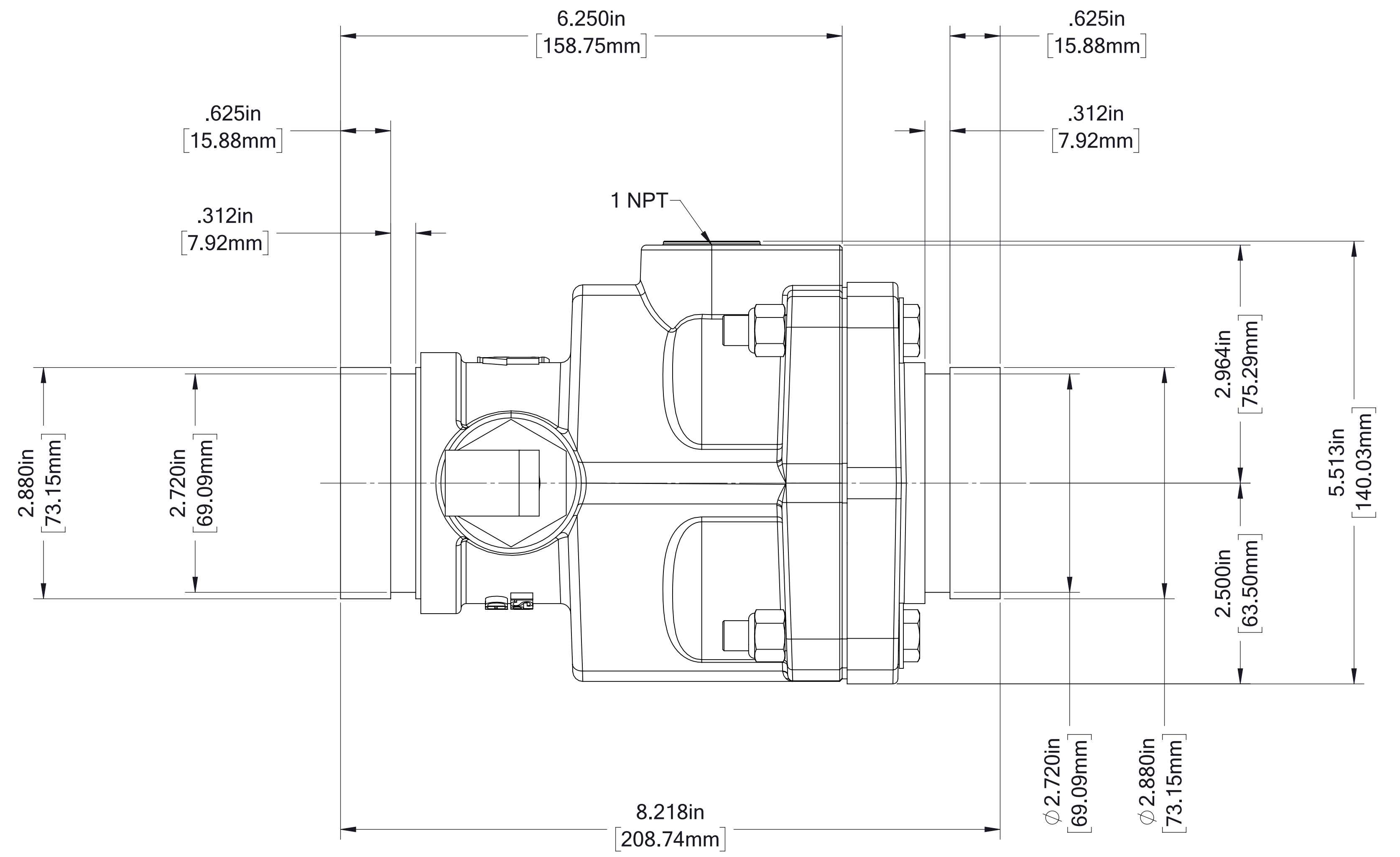
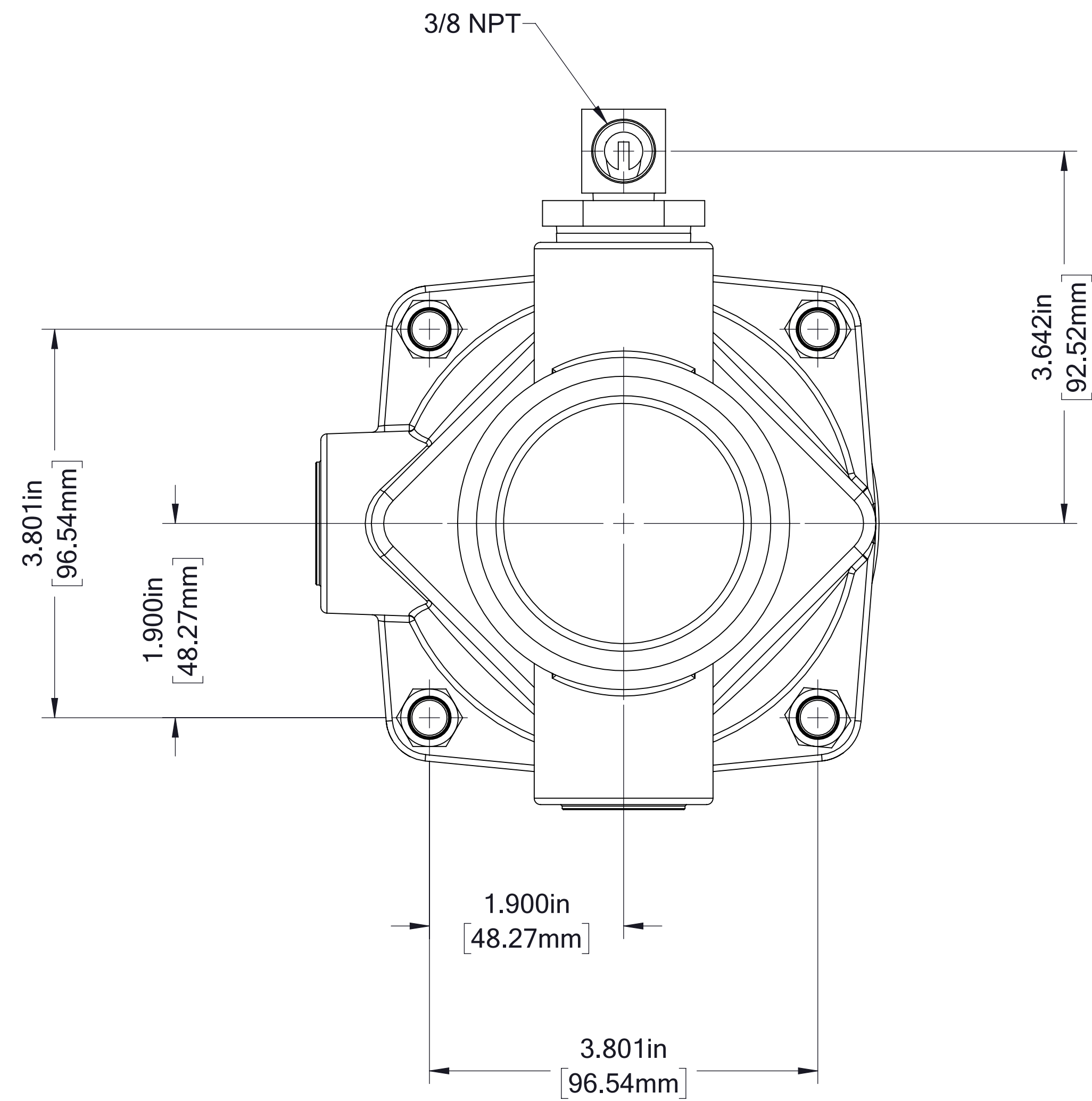
### ELKHART CHECK VALVE, 2.0 IN.

VICTAULIC X VICTAULIC  
 PART NUMBER: 83380-2D



**ELKHART CHECK VALVE, 2.5 IN.**

VICTAULIC X FNPT  
PART NUMBER: 83380-2E



**ELKHART CHECK VALVE, 2.5 IN.**

VICTAULIC X VICTAULIC  
 PART NUMBER: 83380-1F