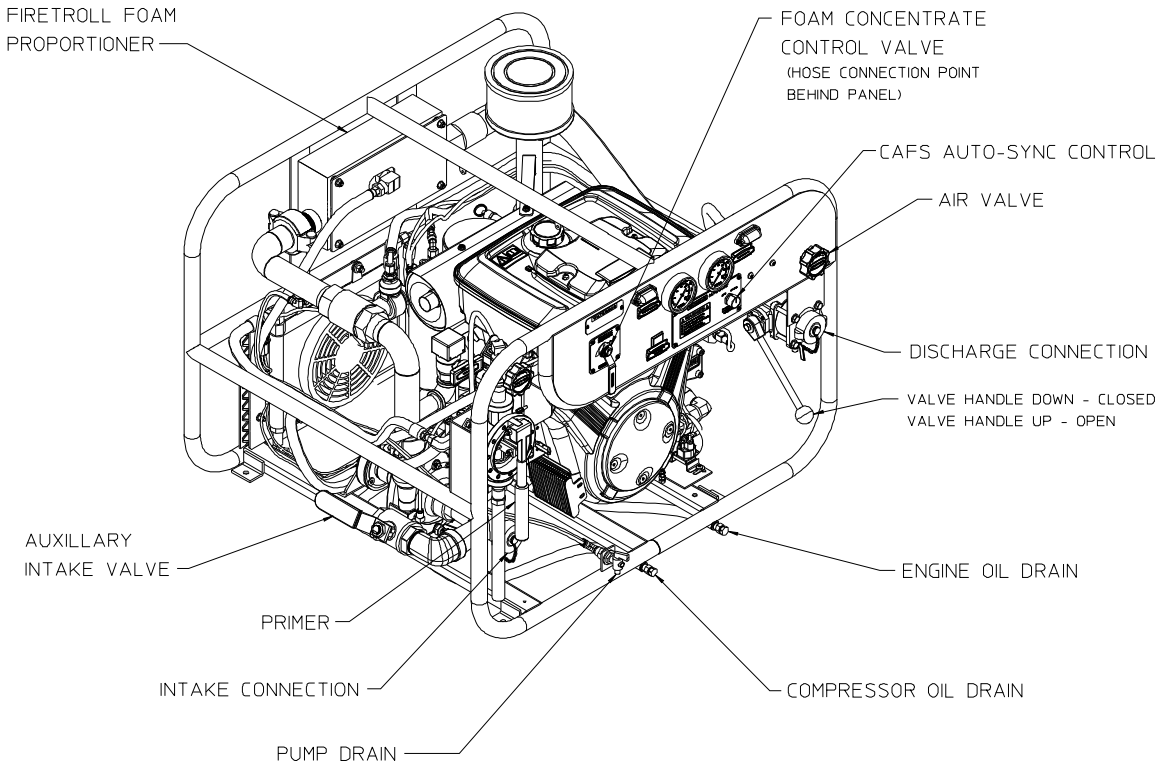
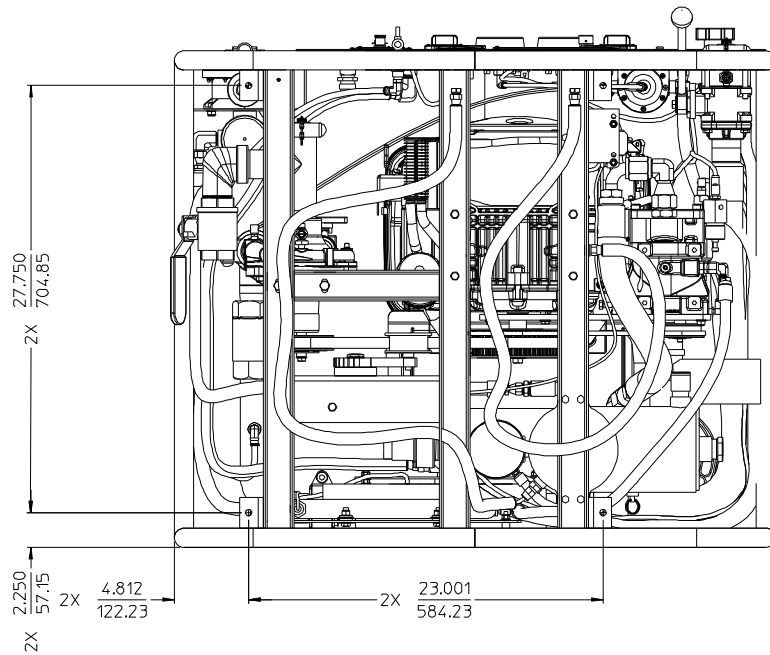
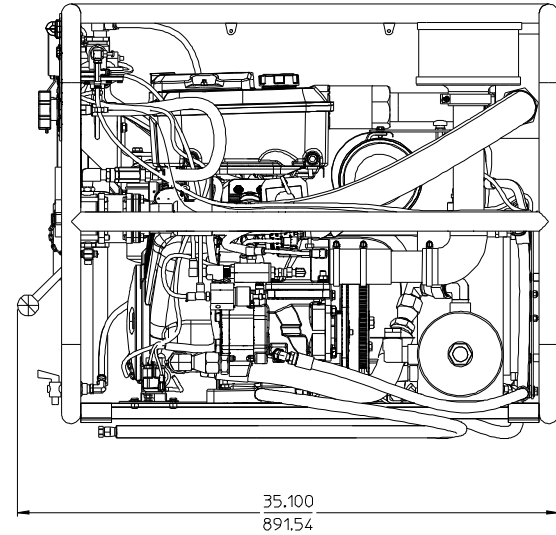
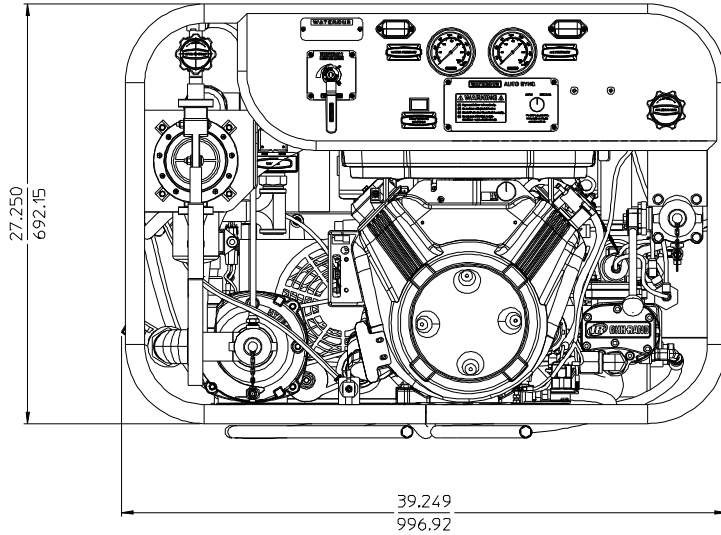


Dimensional Drawings Model 70-35-GP Portable CAFS Unit

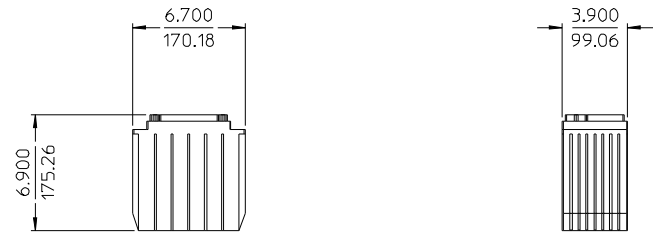
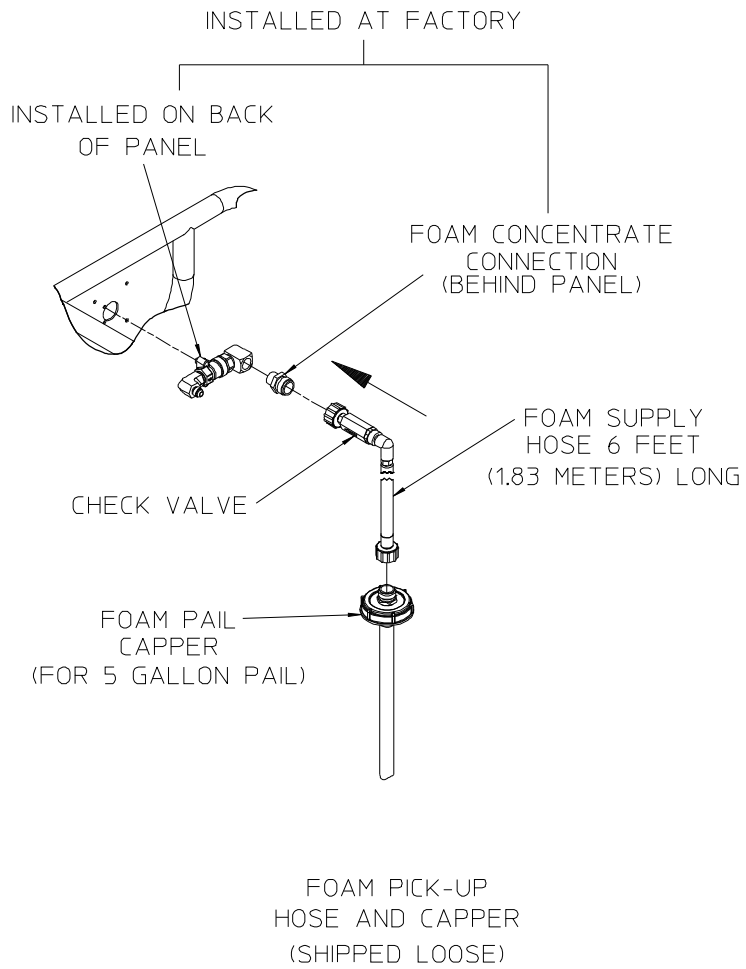


Index:	Page
Unit Dimensions.....	2
Foam Pick-up Hose.....	3
Optional Fuel Tank.....	3
Optional Battery.....	3



ALL DIMENSIONS SHOWN AS INCH/MILLIMETER
(INCH / MILLIMETER)

UNIT DIMENSIONS



OPTIONAL BATTERY