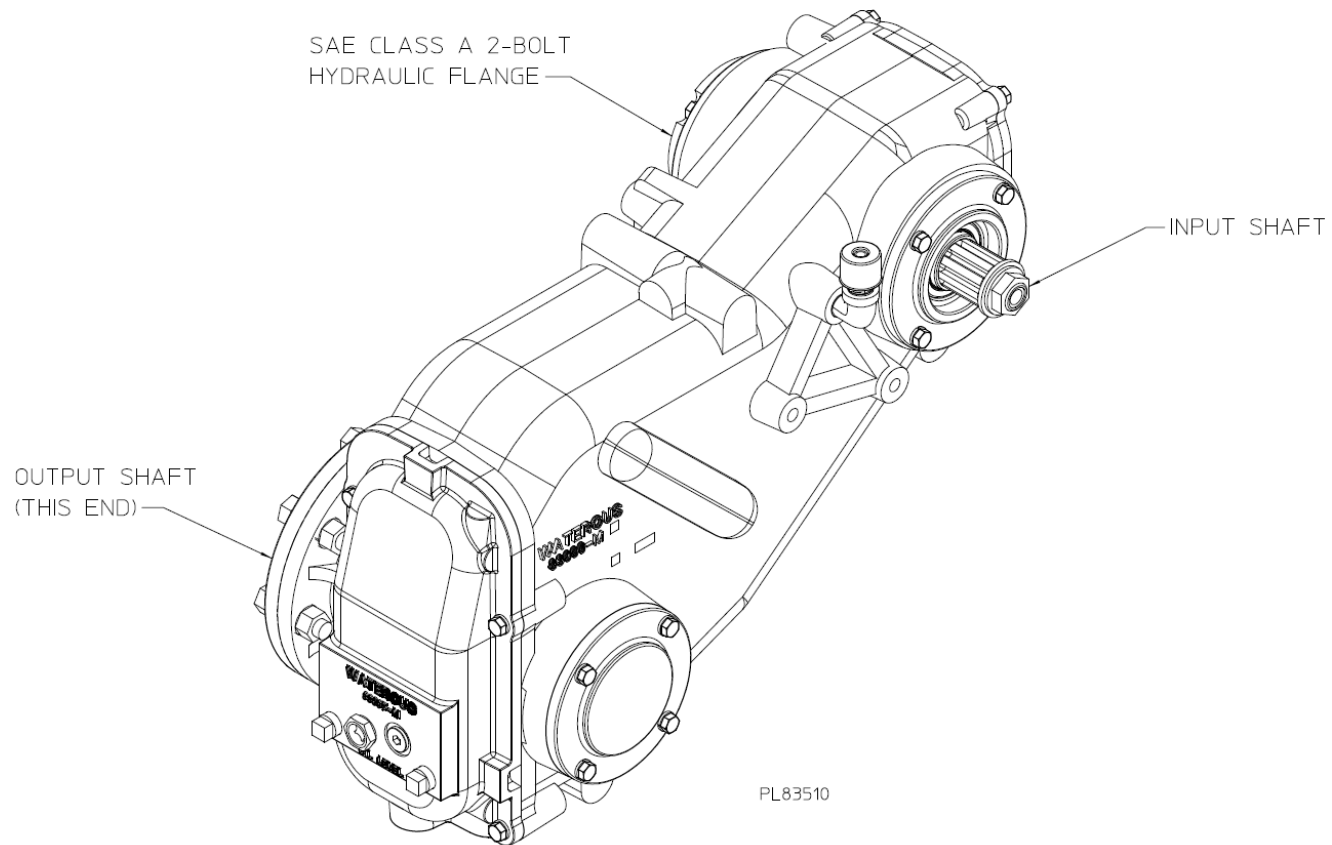
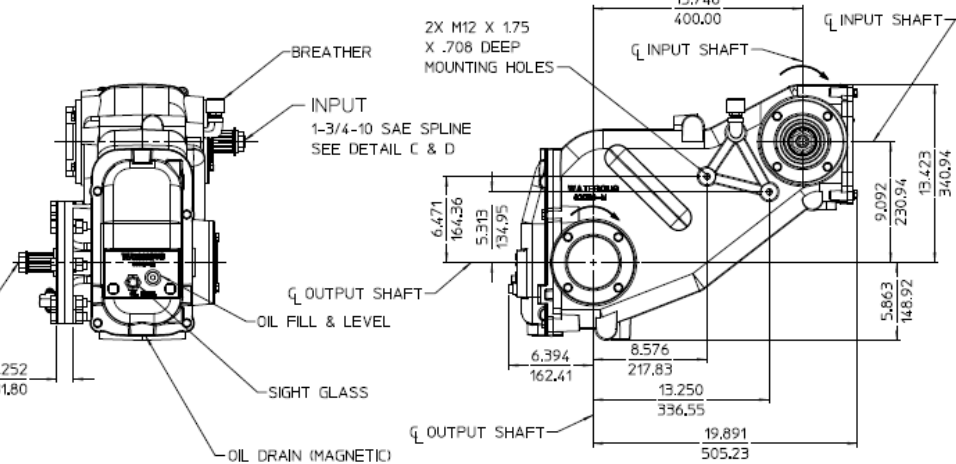
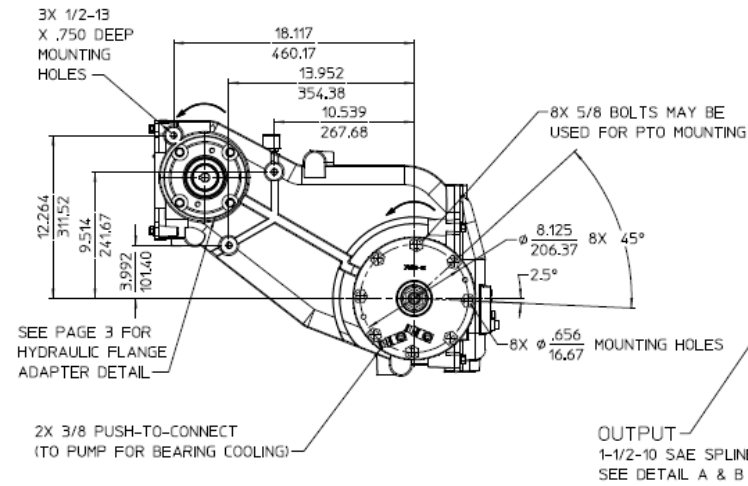
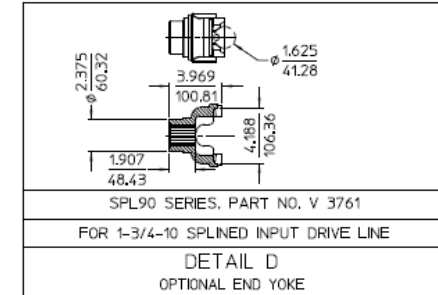
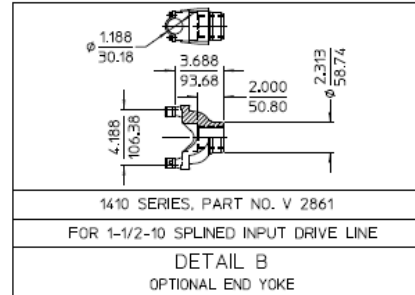
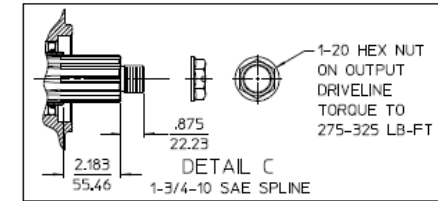
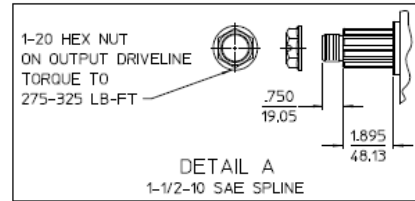
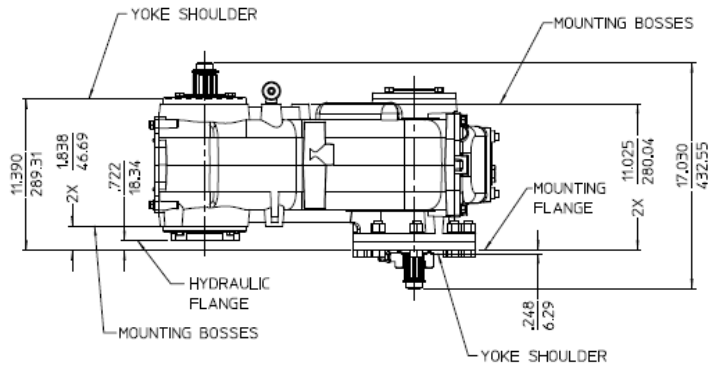




Document Number	Issue Date	Rev. Date
DPL83510	3/3/15	

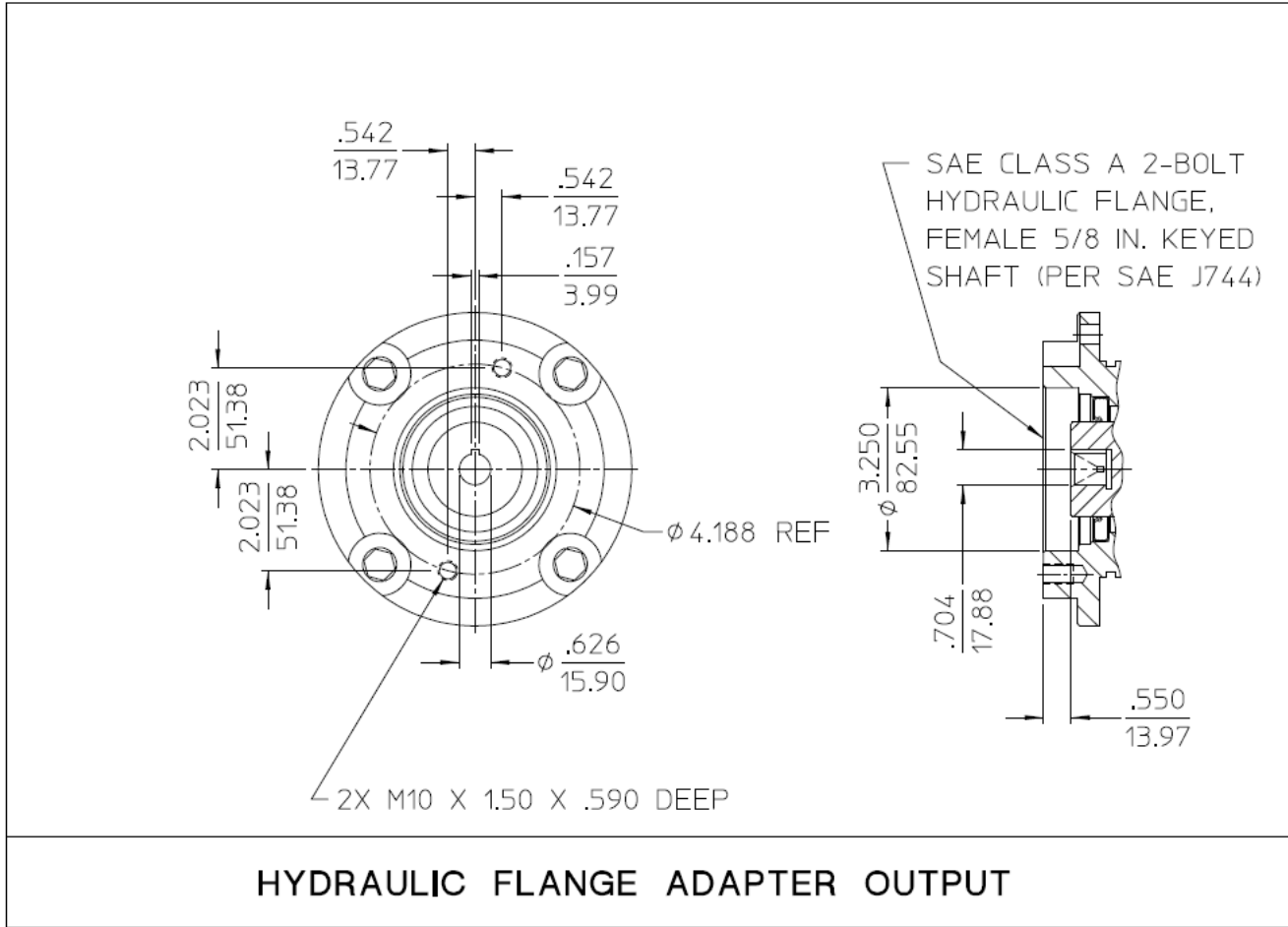
## Dimensional Drawing for TQB Power Take-Off





ALL DIMENSIONS SHOWN AS INCH/MILLIMETER  
(INCH / MILLIMETER)

TQB P.T.O. ASSEMBLY  
CW INPUT  
(1.15 RATIO)



ALL DIMENSIONS SHOWN IN INCH/MILLIMETER  
 (  $\frac{\text{INCH}}{\text{MILLIMETER}}$  )