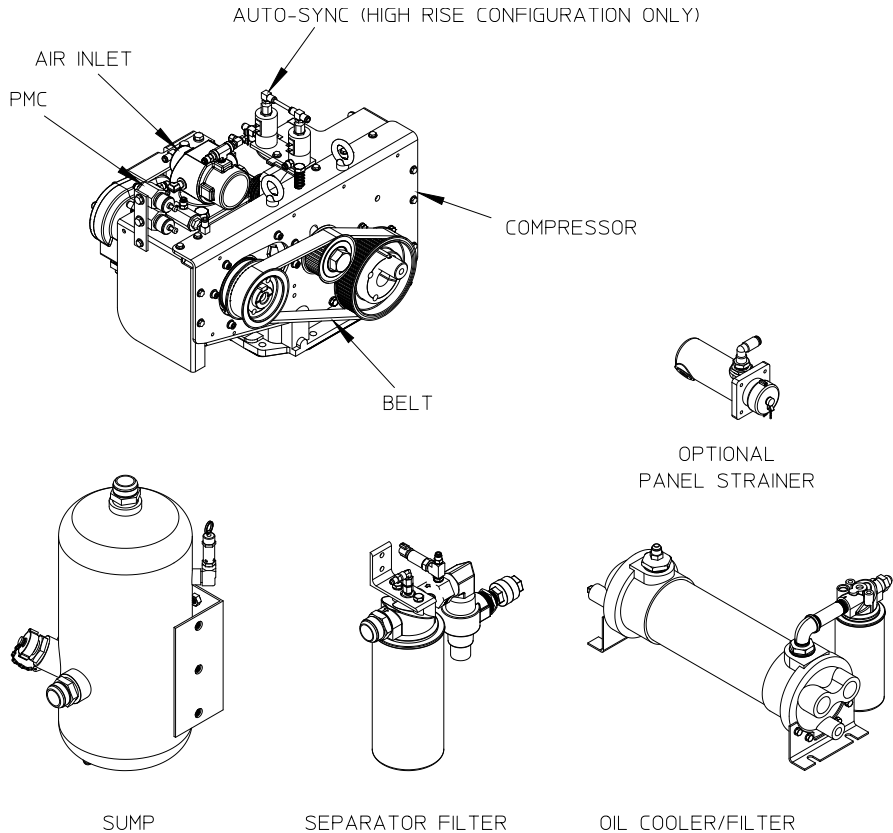
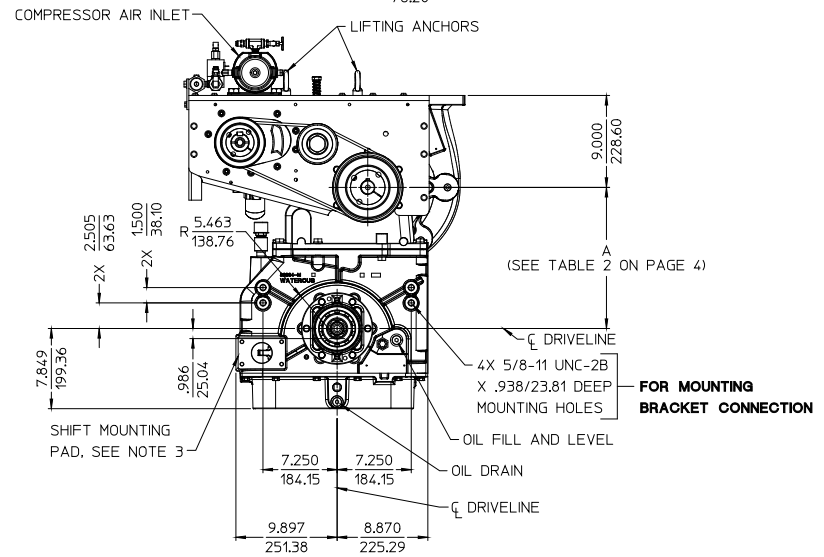
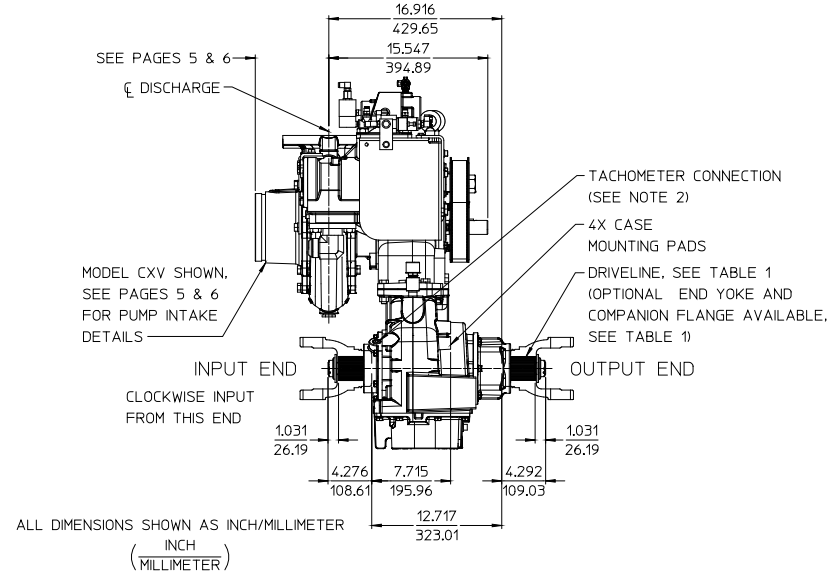
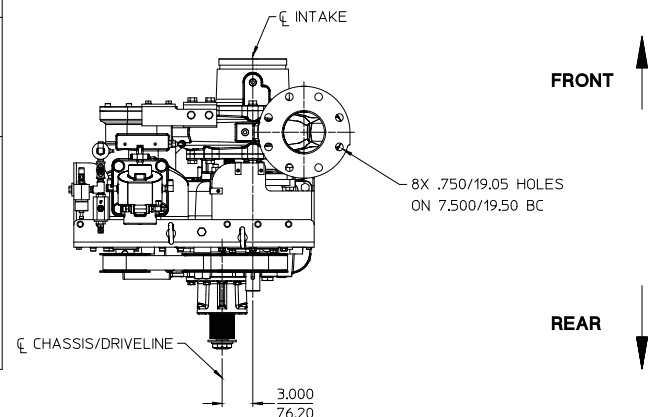


Model 150-ESECL Eclipse GEN 2.0 CAF System As used with CXC20 Series Fire Pumps



Standard Components:	Page
Mounted:	
Pump and Transmission:	
Input and Output Shaft Driveline	2
Input Shaft Only Driveline	3
Available Ratios and Drop Dimensions	4
CX Pump Intake Options:	
Single Grooved, Model CXV	5
Single Flanged, Model CXN	5
Dual Grooved, Model CXS	6
Shipped Loose:	
Air Filter	7
Panel Plates	7
Sump (Oil Reservoir)	8
Separator Filter	9
Oil Cooler	10
Foam Pumps:	
Models Aquis 3.0 or Aquis 6.0:	See F-1031-2447
Foam Generators (CAF Discharge)	See DPL83637
Optional Components:	
Panel Mounted Oil Cooler Water Strainer	10
Auxiliary Air Connection	11
Oil Inject Check Valve	See DPL83810
Hose and Fitting Kit	See DPL83810
Schematics:	
Hydraulic:	
In-Line Oil Cooler Strainer	12
Panel Mounted Oil Cooler Strainer	13
Air Circuit:	
Without High Rise Option	14
With High Rise Option	15
Electrical (See Foam Generators)	See DPL83637

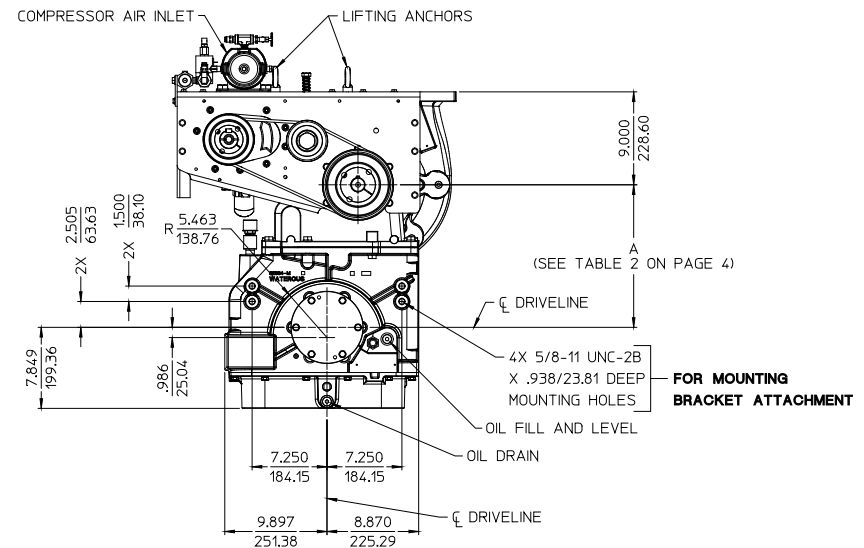
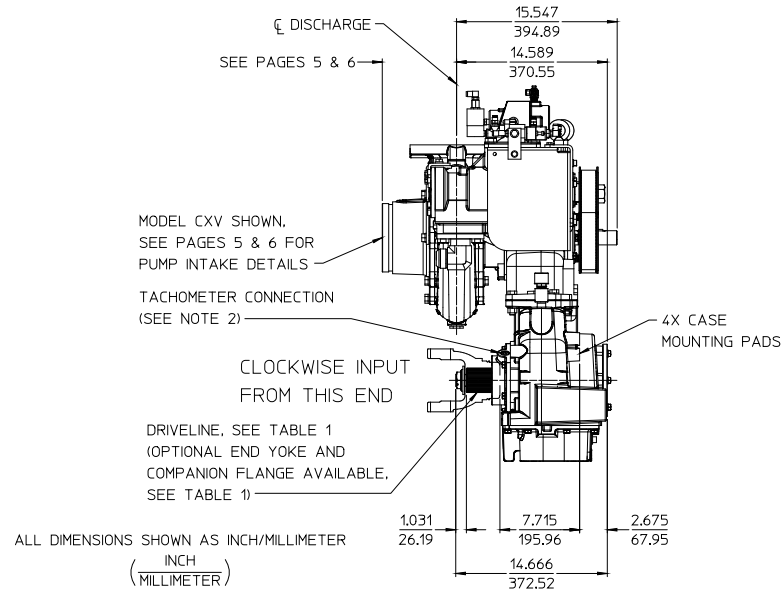
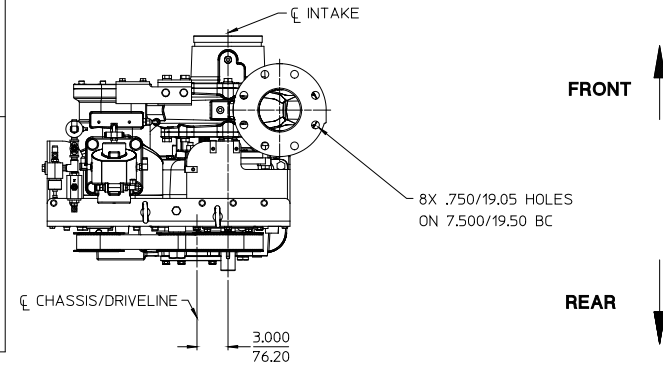
TABLE 1 - AVAILABLE DRIVELINE / MODELS							
DRIVELINE			OPTIONAL END YOKE AND COMPANION FLANGES AVAILABLE FROM WATEROUS				PUMP MODELS
TYPE	SIZE	SPLINE	SPICER SERIES	YOKE		COMPANION FLANGE	
				PART NUMBER	CROSS AND BEARING KIT		
EXTRA HEAVY DUTY	2.35 INCH	2.350-46T INVOLUTE	1480/1610	--	--	V 3719	CXNC20C CXNC20D CXNC20E CXNC20F CXVC20C CXVC20D CXVC20E CXVC20F CXSC20C CXSC20D CXSC20E CXSC20F
			1650/1710	--	--	V 3619	
			1710	V 2837	V 2839	--	
			1810	V 2838	V 2840	--	
			SPL140	V 3388	V 3389	--	



NOTE:
 1. SEE TABLE 2 ON PAGE 4 FOR AVAILABLE RATIOS.
 2. SEE DRAWING DPL82994 FOR ADDITIONAL DETAILS OF C20 SERIES TRANSMISSION.
 3. SEE DRAWING DPL82086 FOR SHIFT DETAILS.

INPUT AND OUTPUT SHAFT DRIVELINE

TABLE 1 - AVAILABLE DRIVELINE / MODELS							
DRIVELINE			OPTIONAL END YOKES AND COMPANION FLANGES AVAILABLE FROM WATEROUS			PUMP MODELS	
TYPE	SIZE	SPLINE	SPICER SERIES	YOKE			COMPANION FLANGE
				PART NUMBER	CROSS AND BEARING KIT		
EXTRA HEAVY DUTY	2.35 INCH	2.350-46T INVOLUTE	1480/1610	--	--	V 3719	CXNC20C CXNC20D CXNC20E CXNC20F CXVC20C CXVC20D CXVC20E CXVC20F CXSC20C CXSC20D CXSC20E CXSC20F
			1650/1710	--	--	V 3619	
			1710	V 2837	V 2839	--	
			1810	V 2838	V 2840	--	
			SPL140	V 3388	V 3389	--	



NOTE:
 1. SEE TABLE 2 ON PAGE 4 FOR AVAILABLE RATIOS.
 2. SEE DRAWING DPL82994 FOR ADDITIONAL DETAILS C20 SERIES TRANSMISSION.

INPUT SHAFT ONLY DRIVELINE

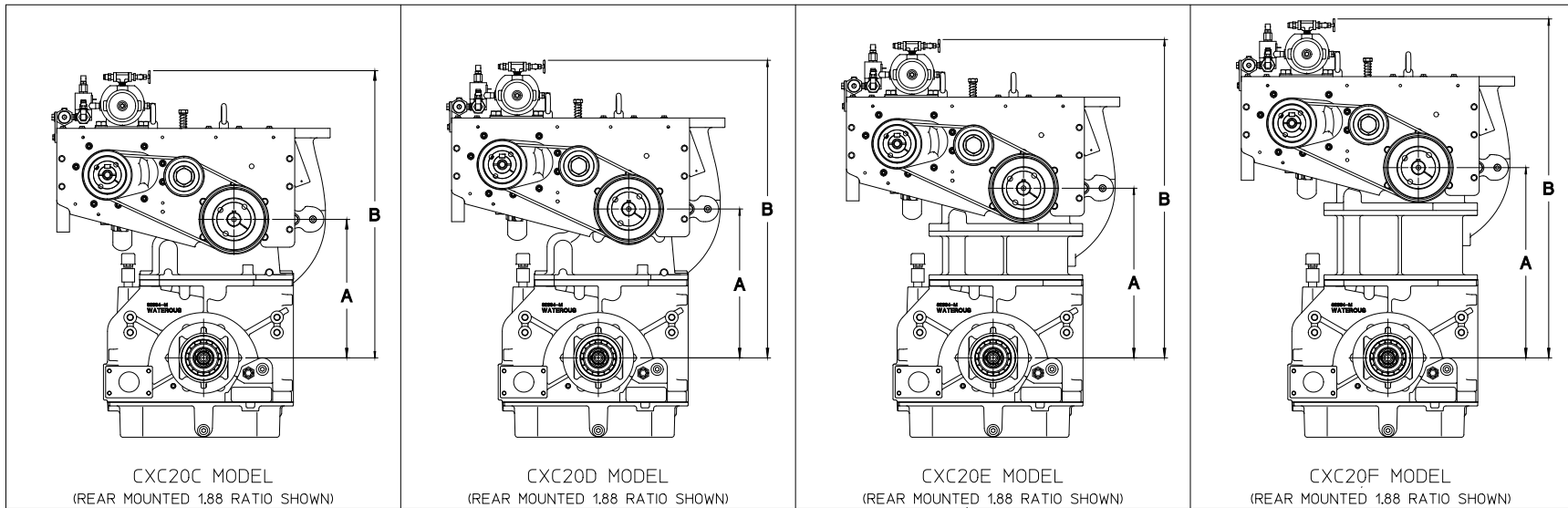
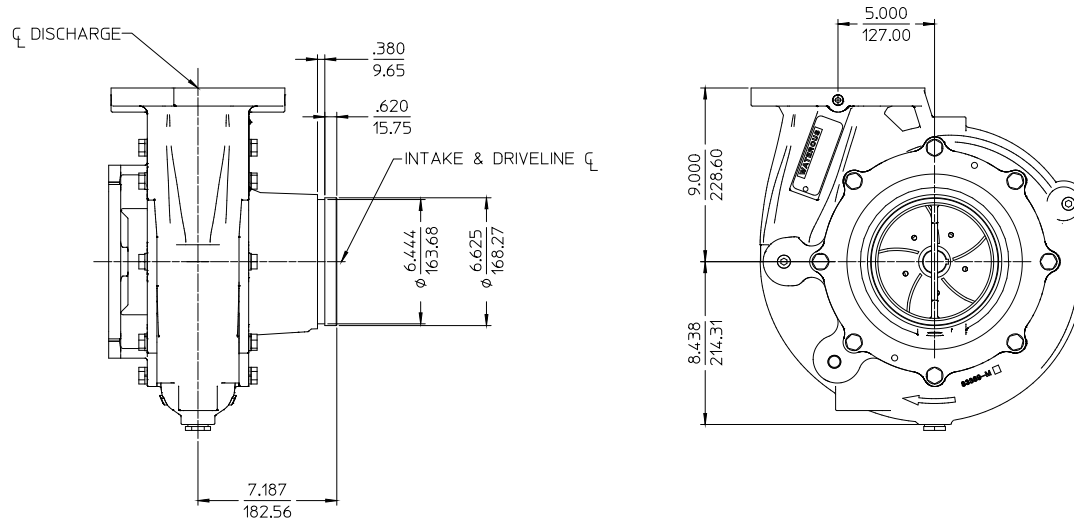


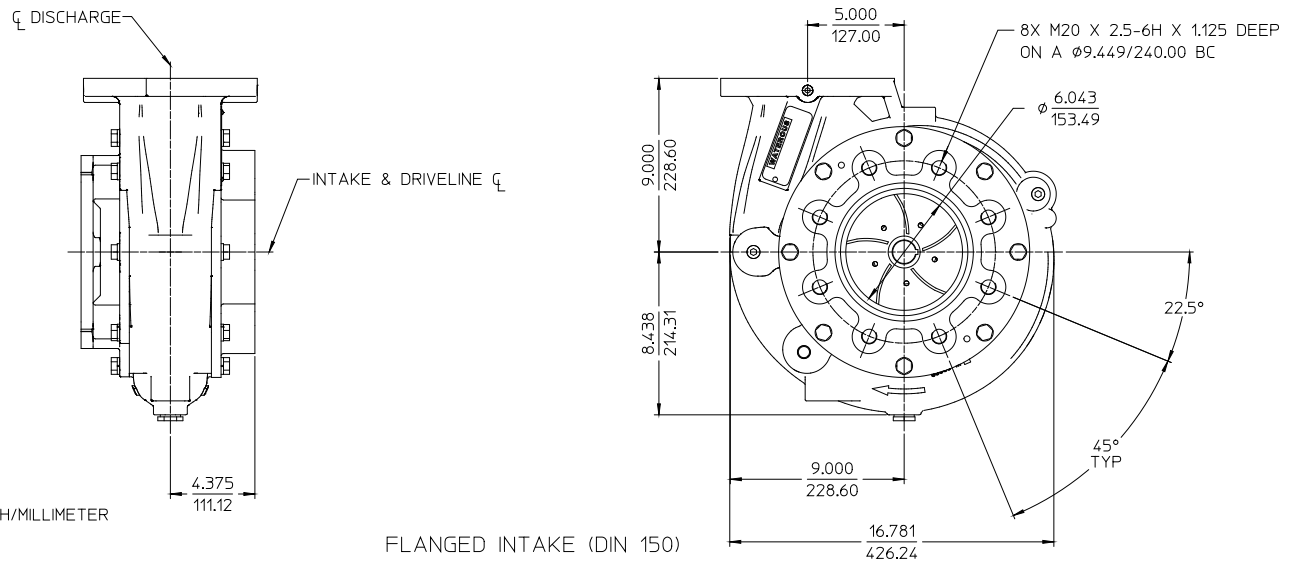
TABLE 3 - AVAILABLE RATIOS								
DRIVE TO DRIVEN RATIO	CXC20C		CXC20D		CXC20E		CXC20F	
	DIMENSION A	DIMENSION B	DIMENSION A	DIMENSION B	DIMENSION A	DIMENSION B	DIMENSION A	DIMENSION B
1.27	14.312/363.52	29.013/736.93	14.825/376.56	29.526/749.96	16.861/428.27	31.562/801.67	18.892/479.86	33.593/853.26
1.41	13.899/353.03	28.600/726.44	14.931/379.25	29.632/752.65	16.971/431.06	31.672/804.47	19.002/482.65	33.703/856.06
1.48	13.878/352.50	28.579/725.91	14.907/378.64	29.608/752.04	16.951/430.56	31.562/803.96	18.981/482.12	33.682/855.52
1.58	13.756/349.40	28.457/722.81	14.788/375.62	29.489/749.02	16.830/427.48	31.531/800.89	18.861/479.07	33.562/852.47
1.69	13.839/351.51	28.540/724.92	14.876/377.85	29.577/751.26	16.923/429.84	31.624/803.25	18.961/481.61	33.662/855.01
1.79	14.045/356.74	28.746/730.15	15.072/382.83	29.773/756.23	17.127/435.03	31.828/808.43	19.168/486.87	33.869/860.27
1.88	13.690/347.73	28.391/721.13	14.717/373.81	29.418/747.22	16.773/426.03	31.474/799.44	18.809/477.75	33.510/851.15
1.97	13.870/352.30	28.571/725.70	14.912/378.76	29.613/752.17	16.970/431.04	31.671/804.44	19.012/482.90	33.713/856.31
2.03	13.984/355.19	28.685/728.60	15.028/381.71	29.729/755.12	17.086/433.98	31.787/807.39	19.132/485.95	33.833/859.36
2.27	13.811/350.80	28.512/724.20	14.856/377.34	29.577/750.75	16.920/429.77	31.621/803.17	18.971/481.86	33.672/855.27
2.46	14.042/356.67	28.743/730.07	15.087/383.21	29.788/756.62	17.154/435.71	31.855/809.12	19.205/487.81	33.906/861.21
2.68	13.746/349.15	28.816/731.93	14.793/375.74	29.874/758.80	16.865/428.37	31.439/798.55	18.923/480.64	33.509/851.13

AVAILABLE RATIOS AND DROP DIMENSIONS

ALL DIMENSIONS SHOWN AS INCH/MILLIMETER
 (INCH
 MILLIMETER)

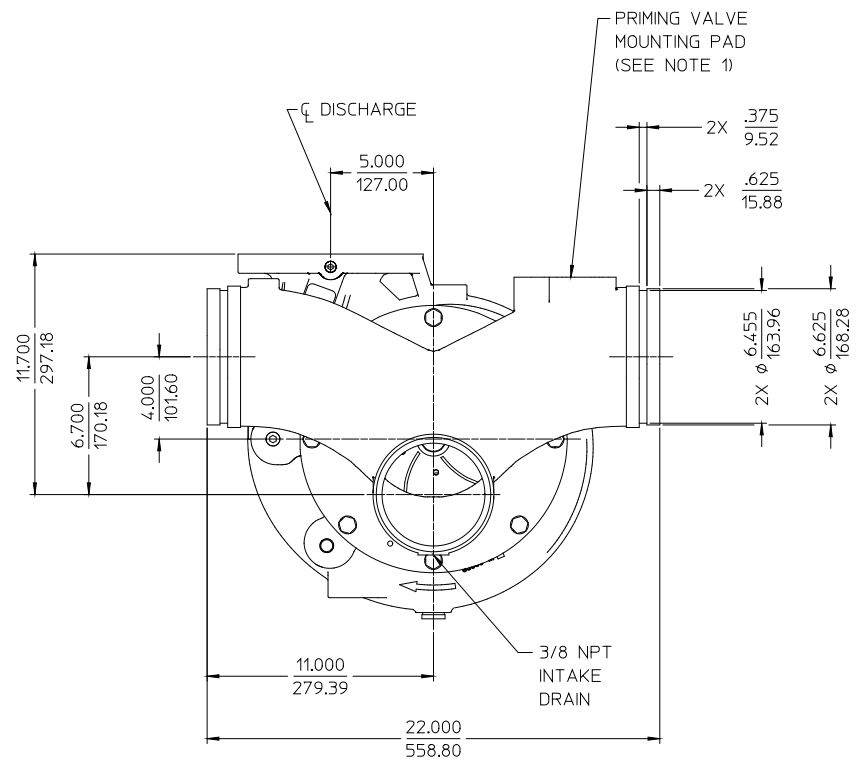
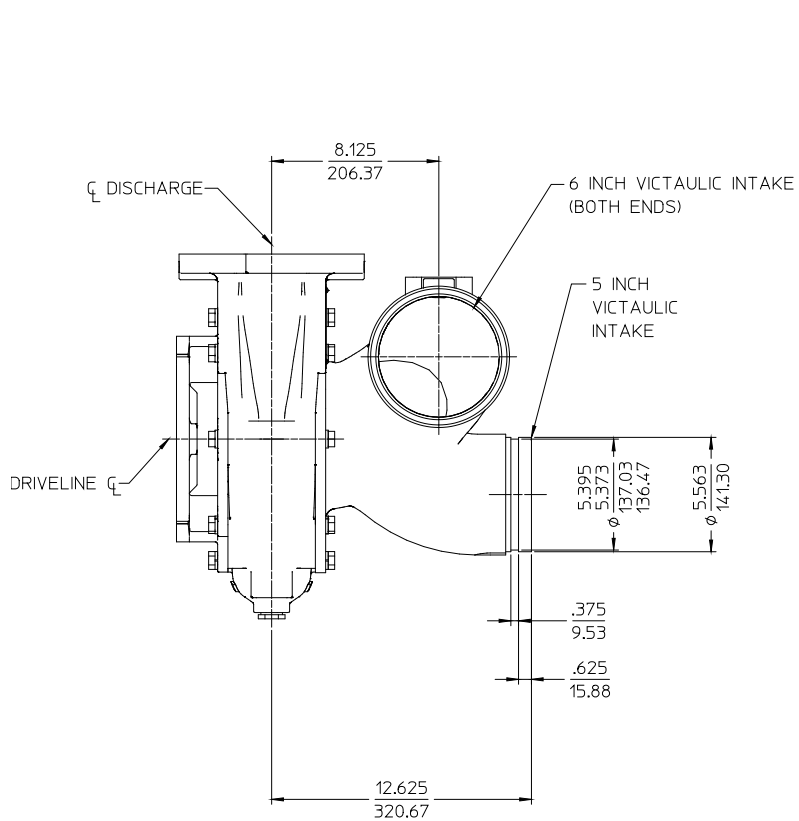


SINGLE GROOVED INTAKE (6 IN.)
(PUMP MODEL CXV)



FLANGED INTAKE (DIN 150)
(PUMP MODEL CXN)
AVAILABLE PUMP INTAKE CONNECTIONS

ALL DIMENSIONS SHOWN AS INCH/MILLIMETER
($\frac{\text{INCH}}{\text{MILLIMETER}}$)



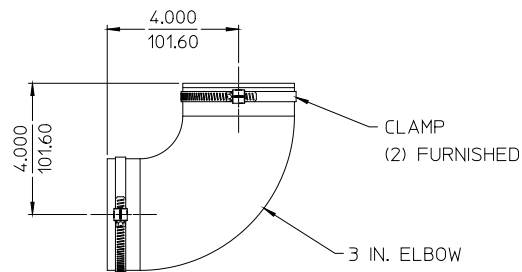
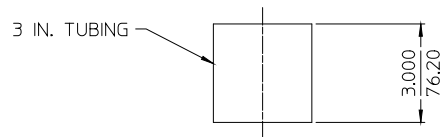
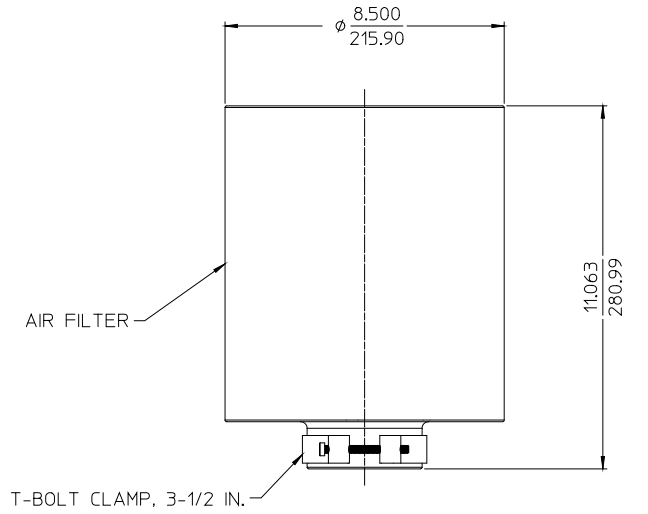
DUAL GROOVED INTAKE (6 IN.)
(PUMP MODEL CXS)

ALL DIMENSIONS SHOWN AS INCH/MILLIMETER
 INCH
 (MILLIMETER)

NOTES:

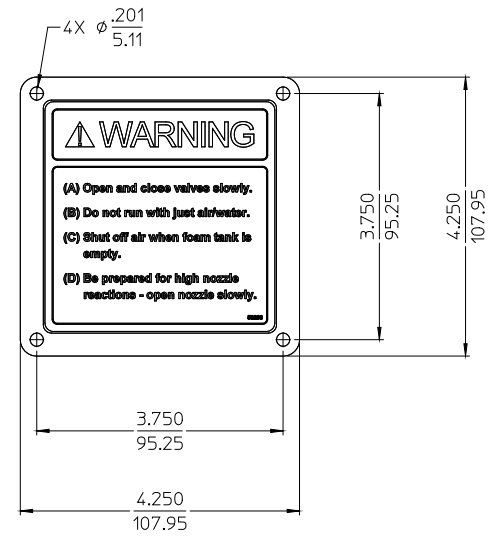
1. SEE DRAWING DPL82908 FOR PRIMING VALVE DETAILS.
2. PUMP MOUNTED RELIEF VALVE NOT AVAILABLE.

AVAILABLE PUMP INTAKE CONNECTIONS



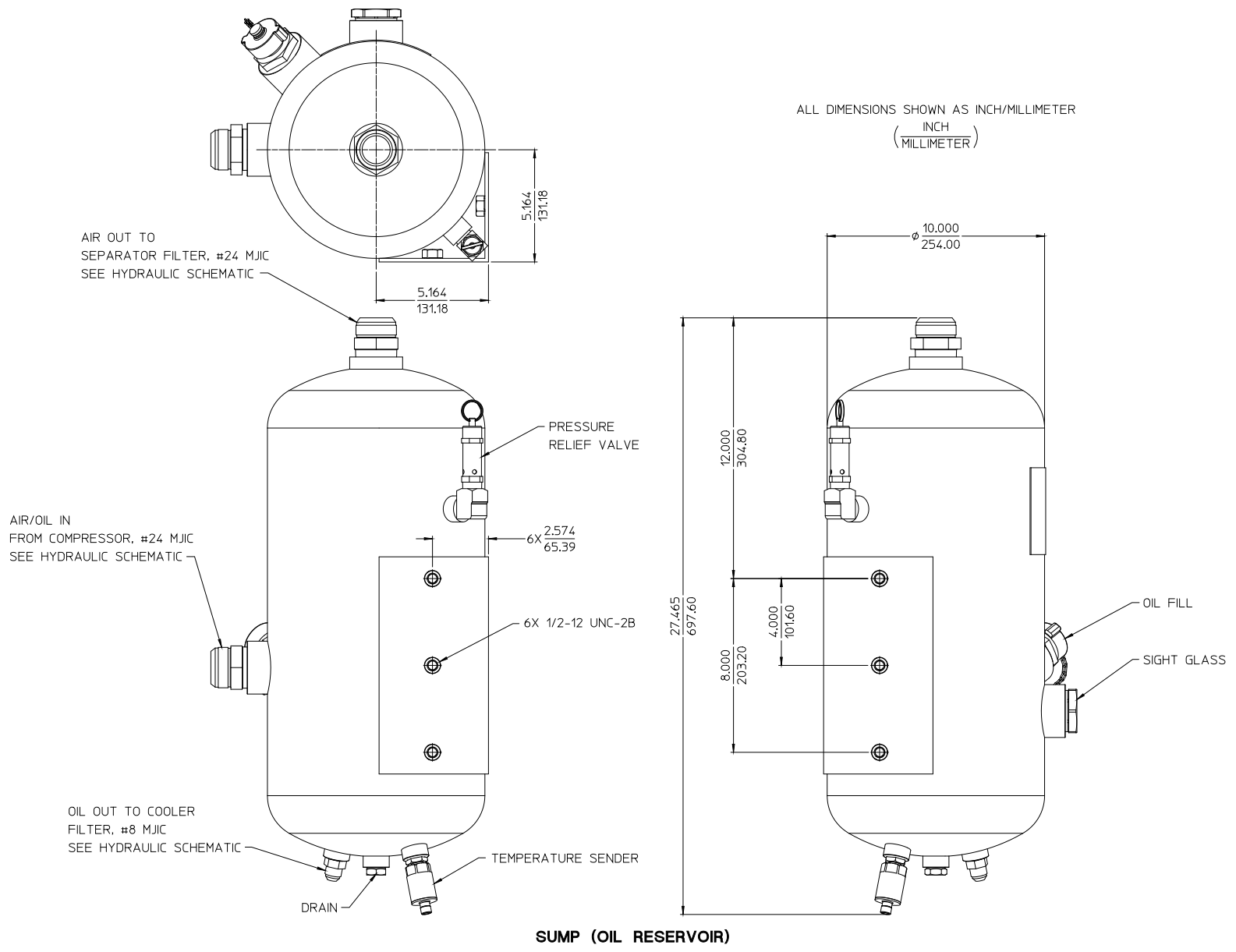
AIR FILTER

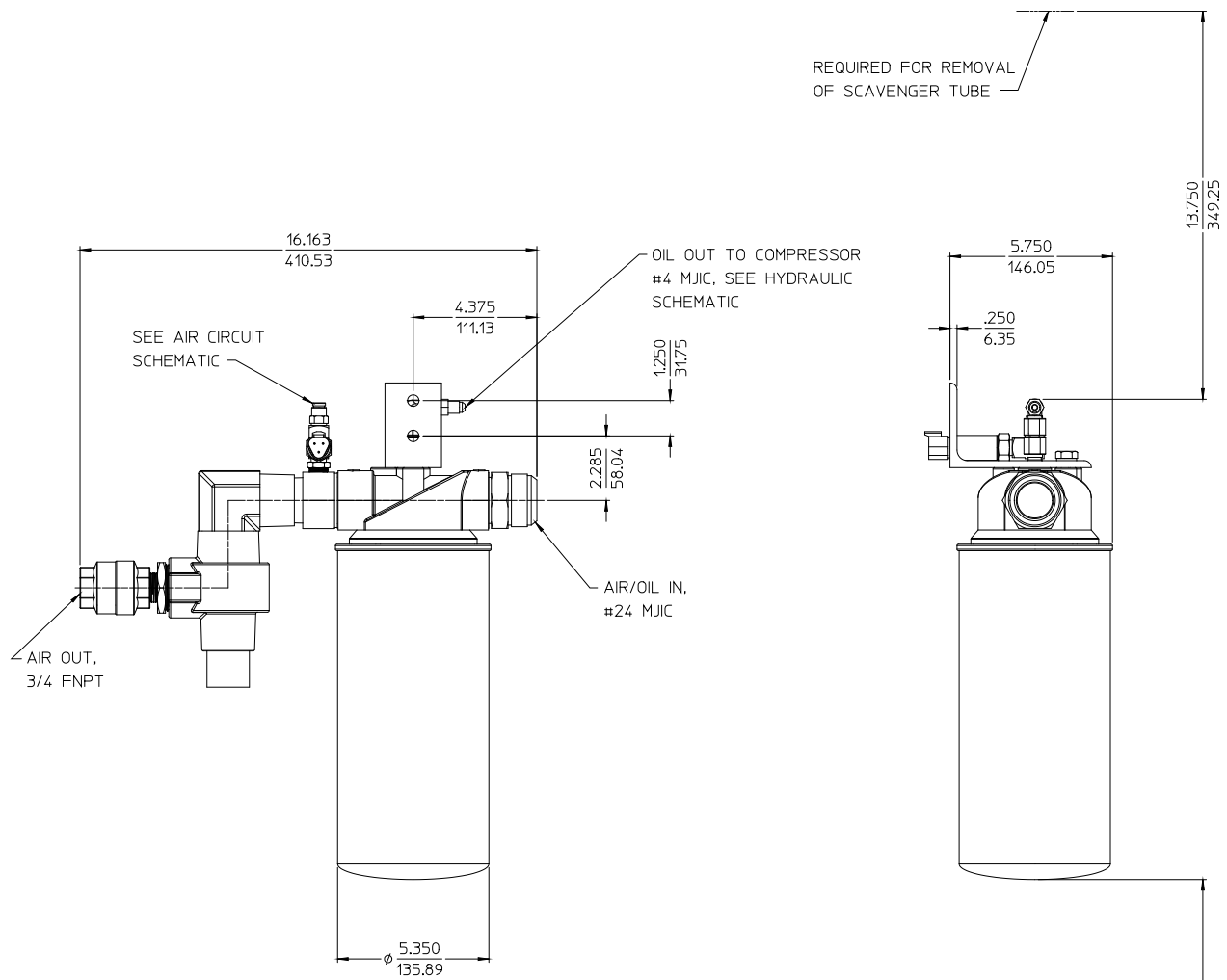
ALL DIMENSIONS SHOWN AS INCH/MILLIMETER
($\frac{\text{INCH}}{\text{MILLIMETER}}$)



CAFS WARNING

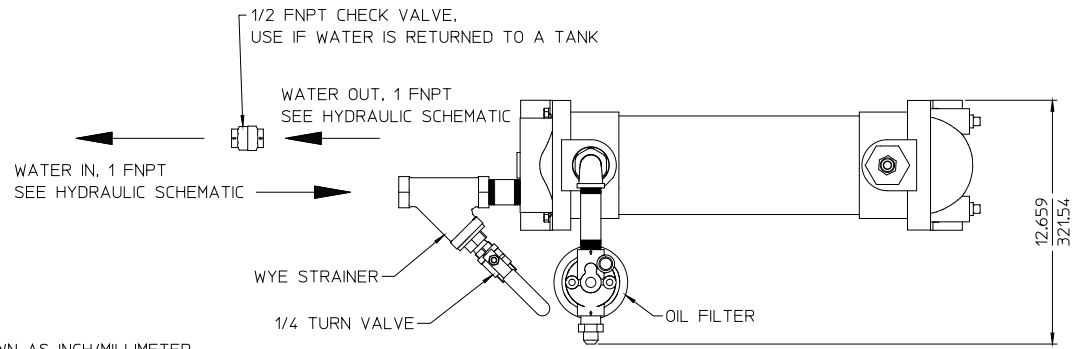
PANEL PLATE



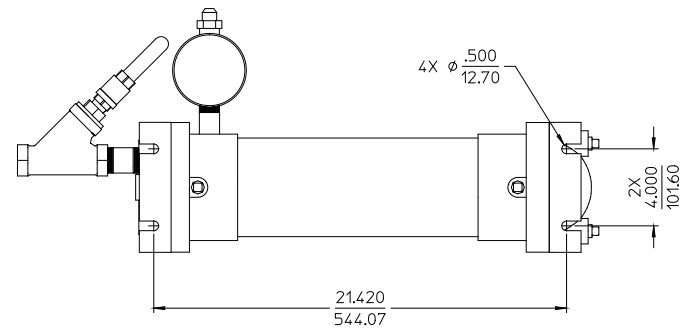
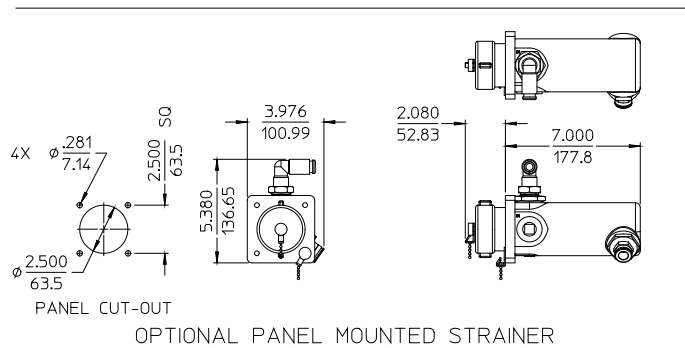
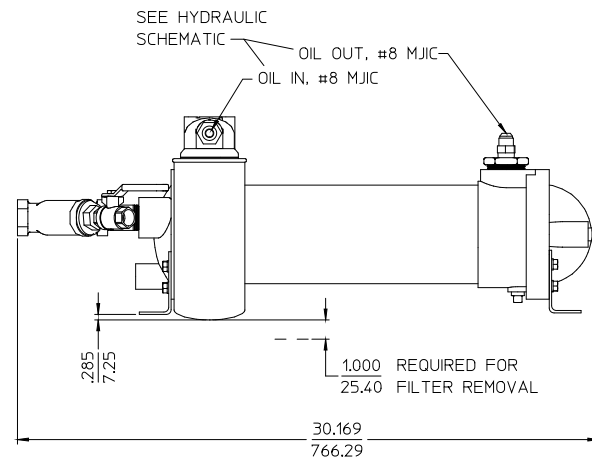
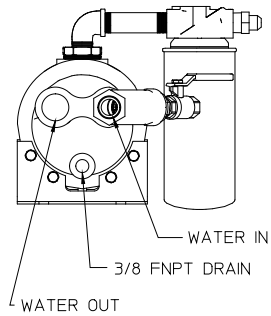


ALL DIMENSIONS SHOWN AS INCH/MILLIMETER
 (INCH)
 (MILLIMETER)

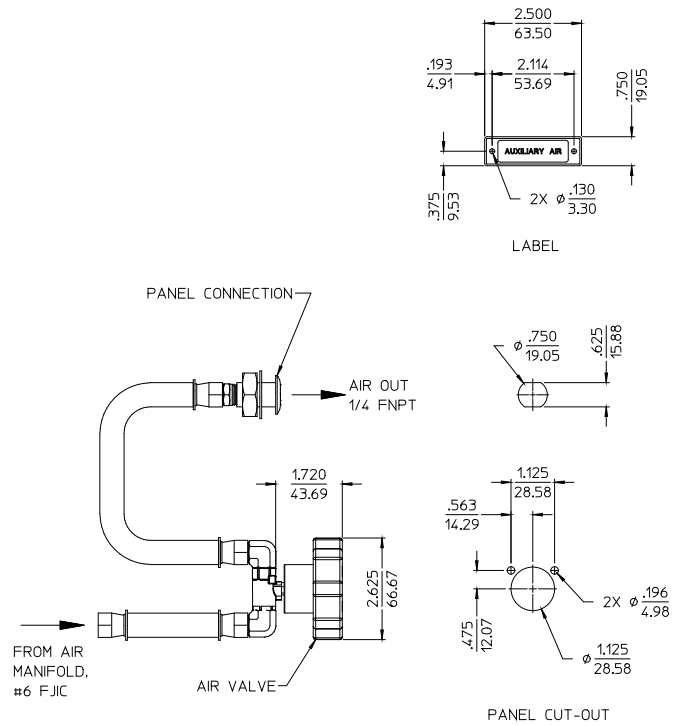
SEPARATOR FILTER



ALL DIMENSIONS SHOWN AS INCH/MILLIMETER
INCH
(MILLIMETER)

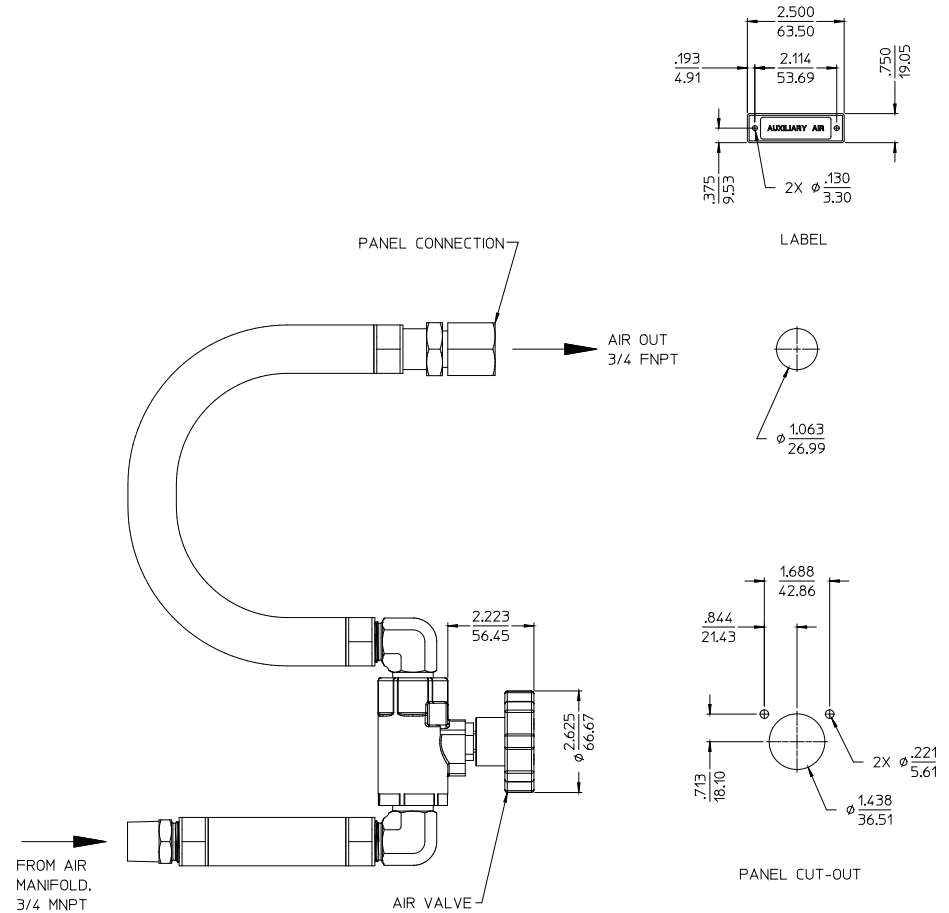


OIL COOLER



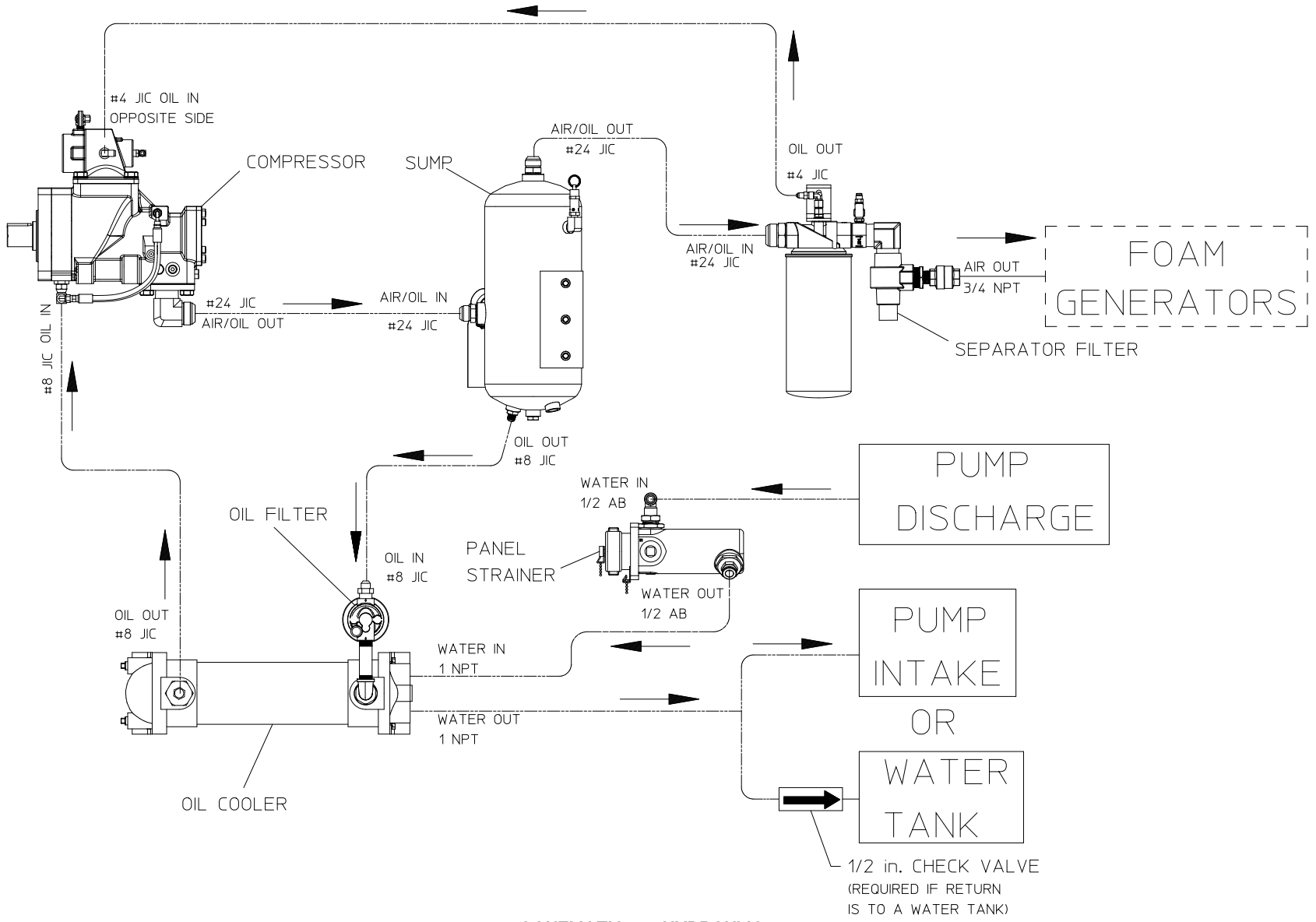
1/4 FNPT CONNECTION
 (HOSES AND FITTINGS FURNISHED)
 ORDER PART NO. 83360-3A

ALL DIMENSIONS SHOWN AS INCH/MILLIMETER
 (INCH / MILLIMETER)

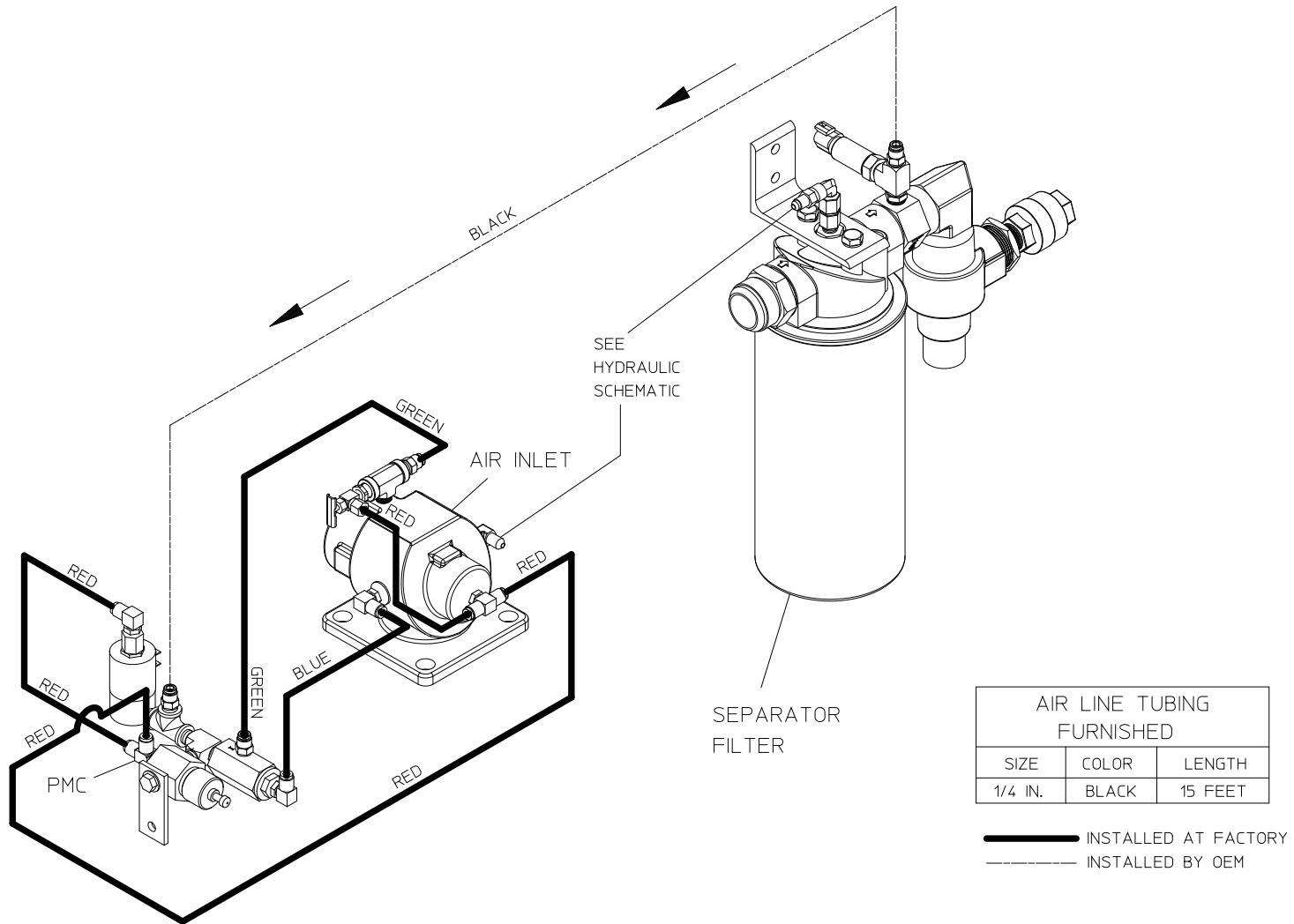


3/4 NPT CONNECTION
 (HOSES AND FITTINGS FURNISHED)
 ORDER PART NO. 83360-3B

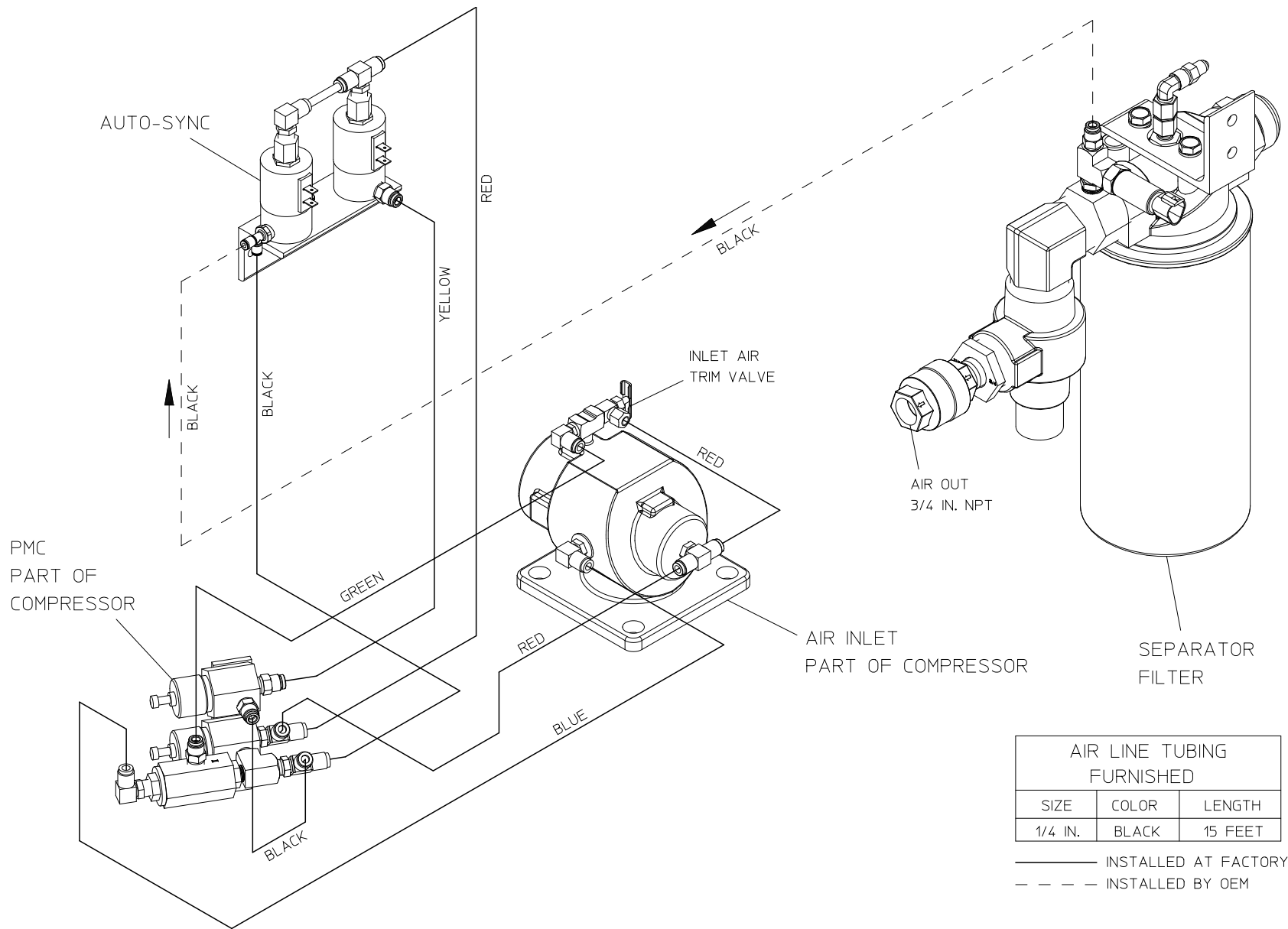
OPTIONAL AUXILIARY AIR CONNECTION



SCHEMATIC - HYDRAULIC
PANEL STRAINER



SCHEMATIC – AIR CIRCUIT
 NON-HIGH RISE CONFIGURATION



SCHEMATIC – AIR
 HIGH RISE CONFIGURATION