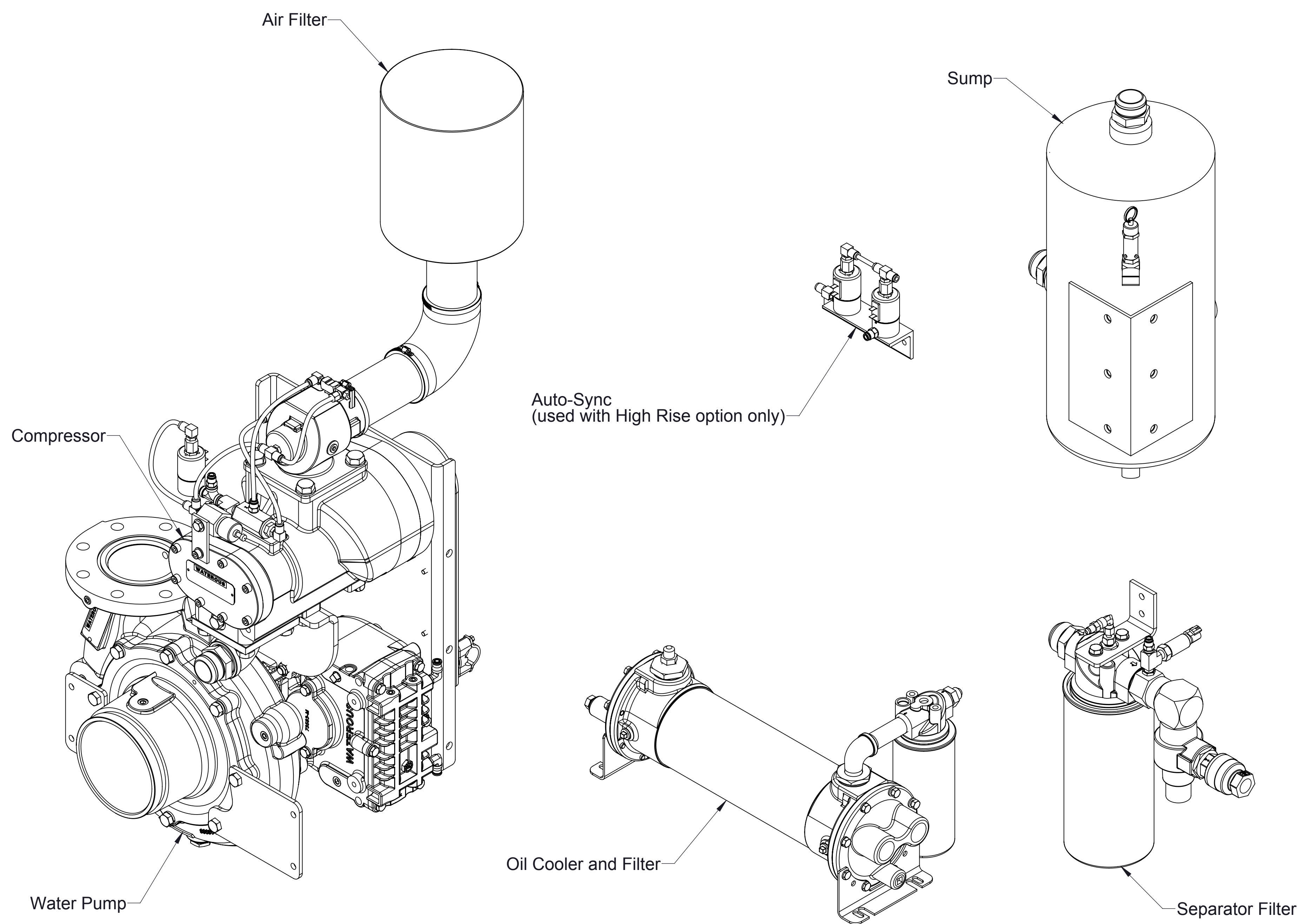


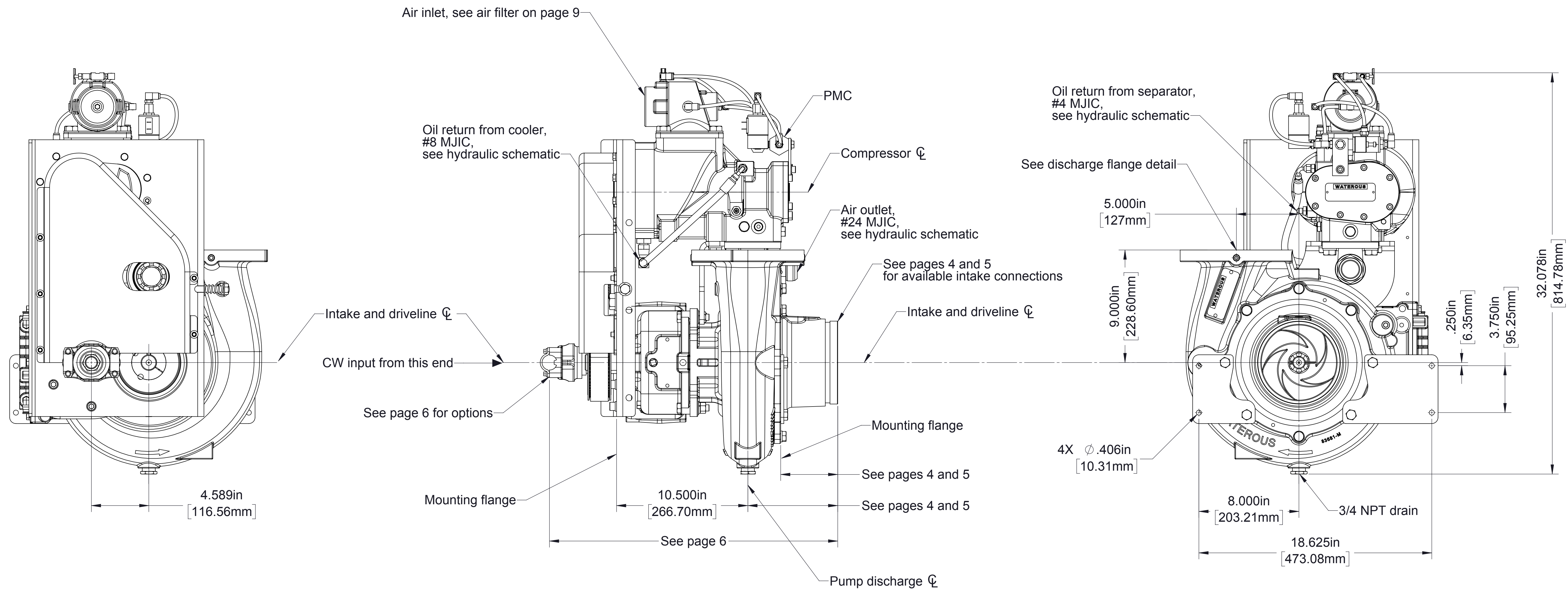
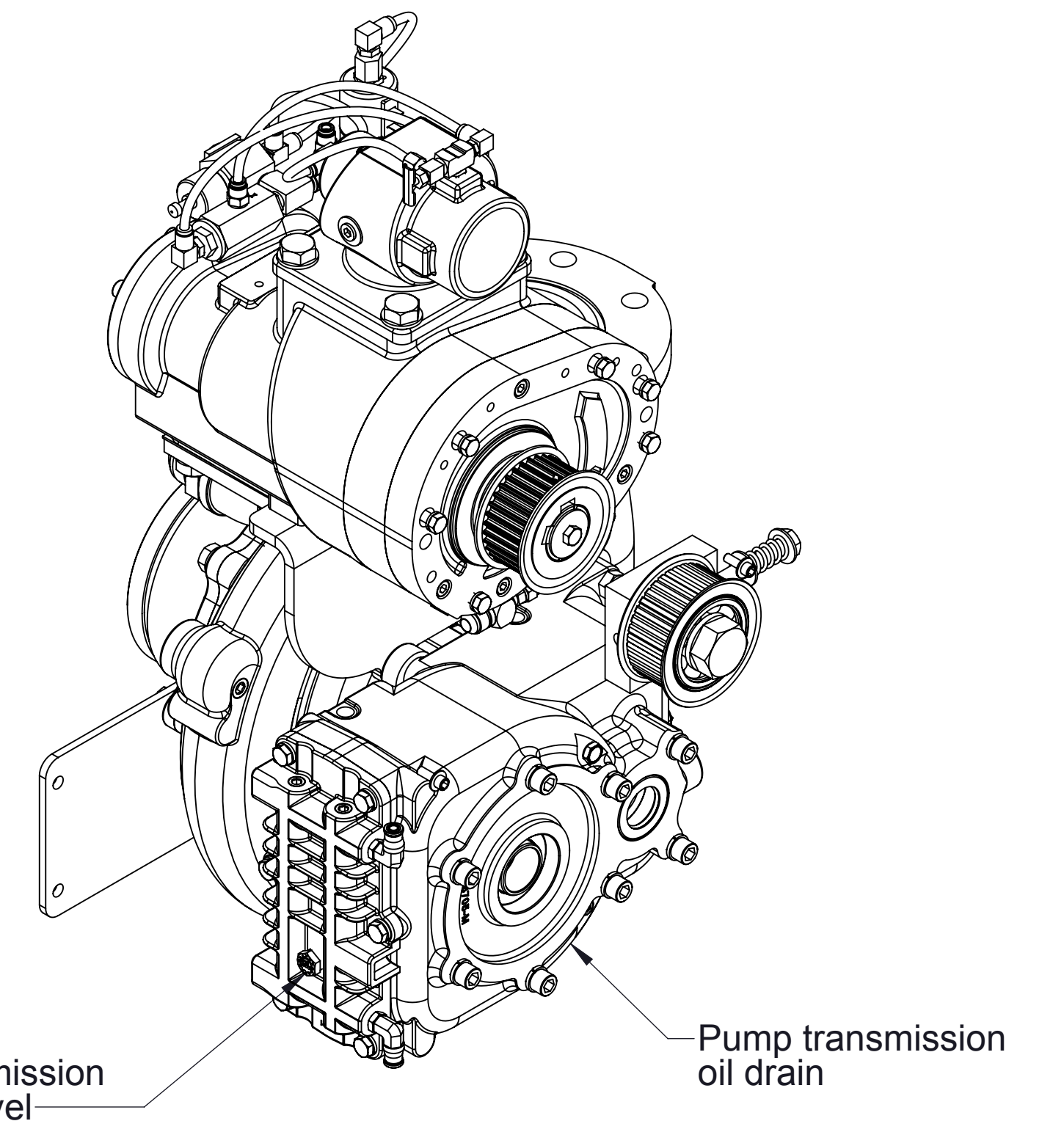
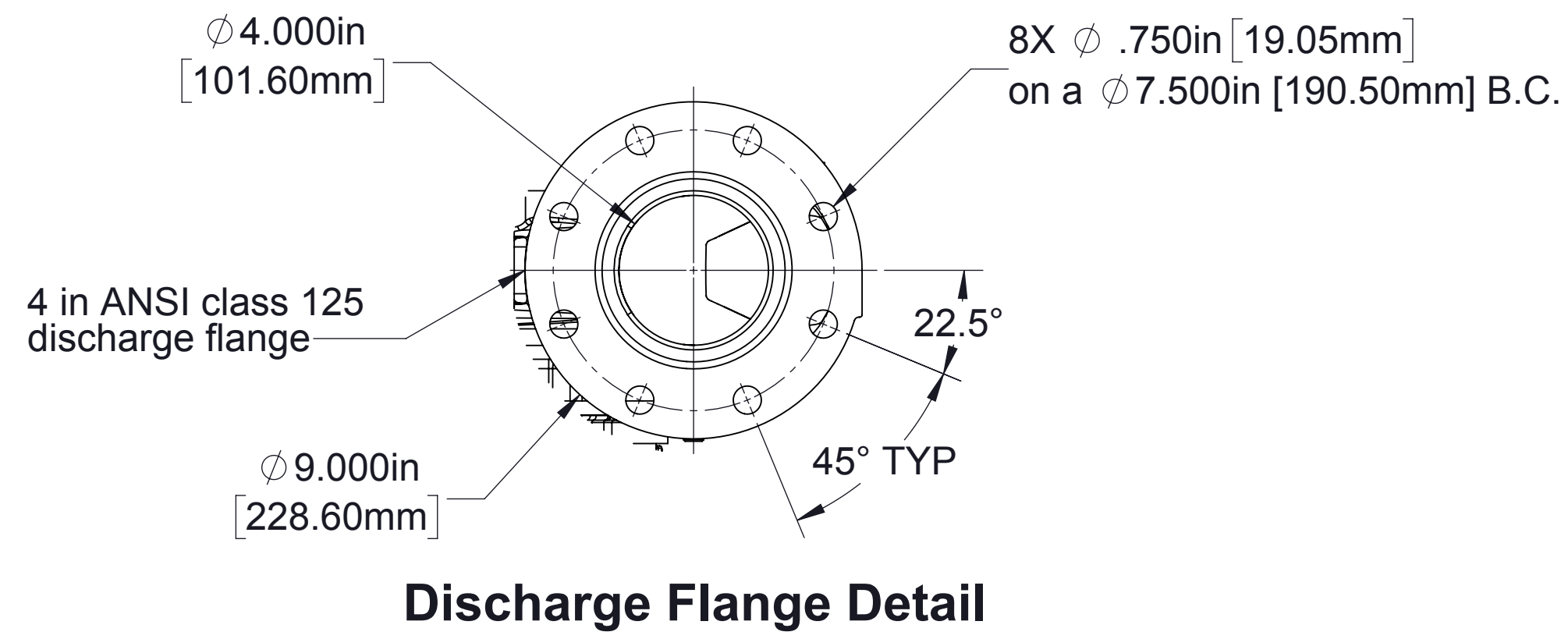
## PTO Compressor System Dimensional Drawings

### Models 750-150-ECL, 1000-150-ECL and 1250-150-ECL with Eclipse GEN 2.0 CAFS

Includes fire pump models: CXNK, CXSK, CXVK OR CXNPA, CXSPA, CXVPA

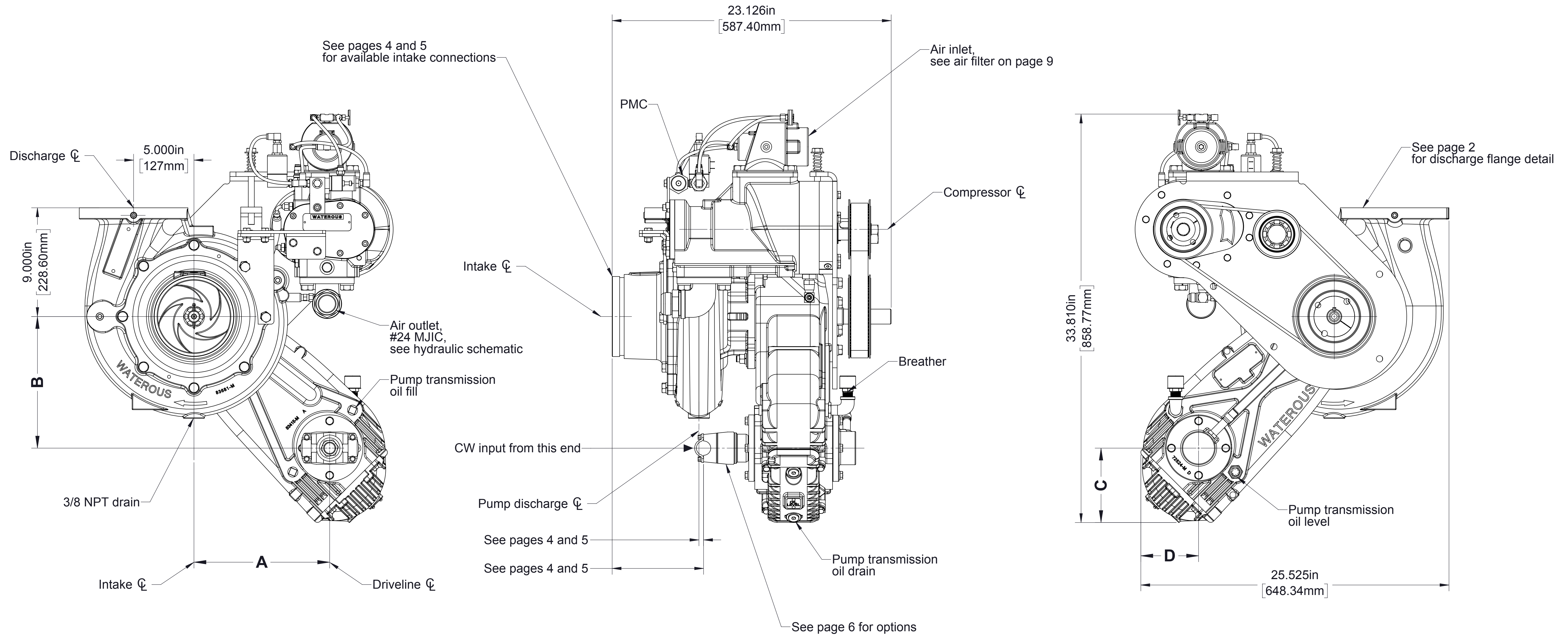


Standard Components:	Page
• Compressor and Water Pump	
• Models with K Series Transmission	2
• Models with PA Series Transmission	3
• Available Pump Intake Connections	
• Pump Models CXN and CXV	4
• Pump Model CXS	5
• Available Companion Flanges and End Yokes	6
• Sump (Oil Reservoir)	7
• Oil Cooler and Filter	8
• Air Filter	9
• Separator Filter	9
• Auto-Sync (Used with High Rise option only)	10
• Panel Plates	10
• Sump Vent	10
<b>Foam Pumps:</b>	
• Models Aquis 3.0 or 6.0	See F-1031-2447
• Foam Generators (CAFS Discharge)	See DPL83637
<b>Optional Components:</b>	
• Air Oil Cooler (Electric Fan)	11
• Auxiliary Air Connection	12
• Oil Inject Check Valve	See DPL83810
• Hose and Fitting Kit	See DPL83810
<b>Schematics:</b>	
• Hydraulic	13
• Air Circuit	
• Without High Rise Option	14
• With High Rise Option	15
• Electrical (see Foam Generators)	See DPL83637

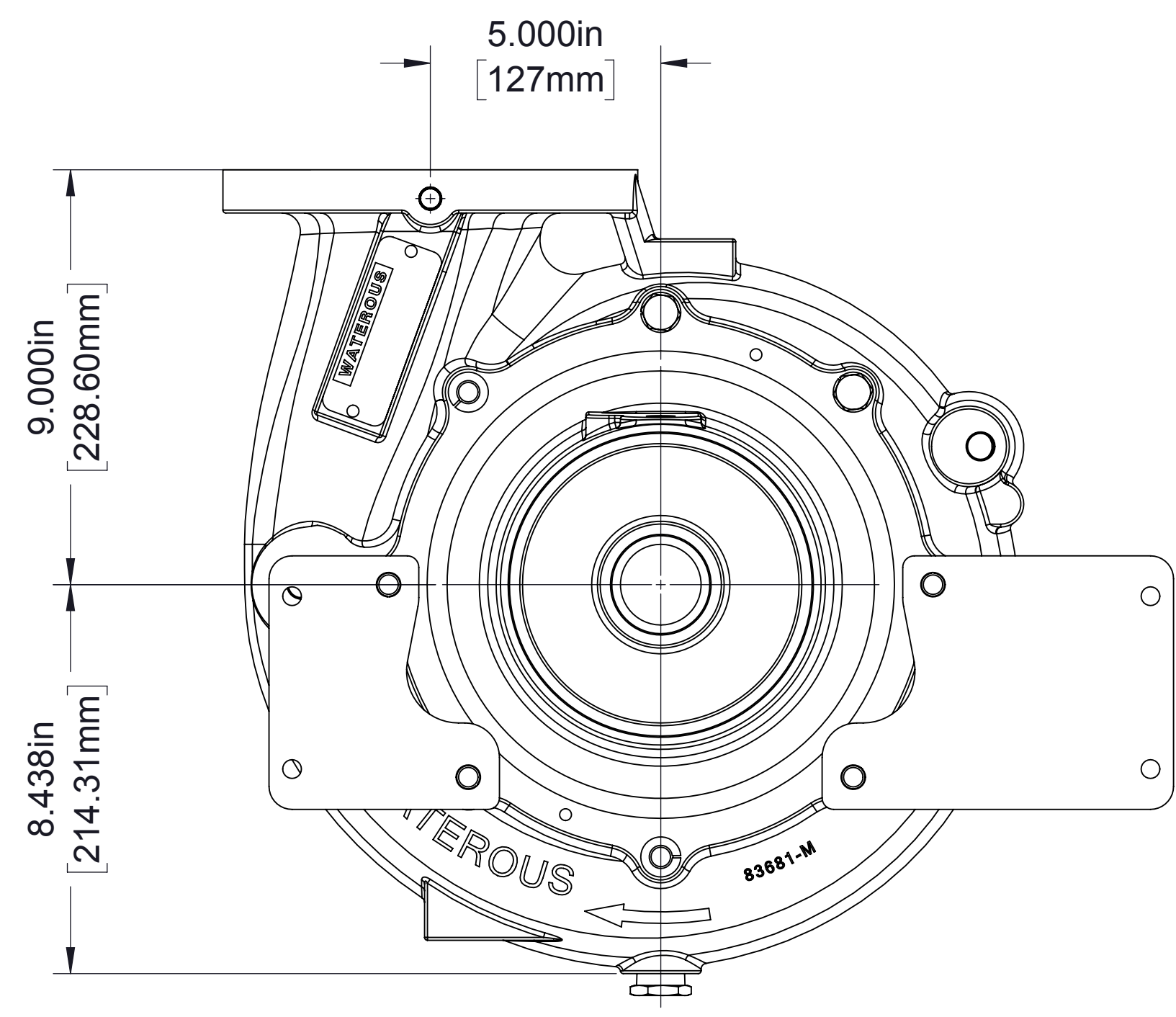
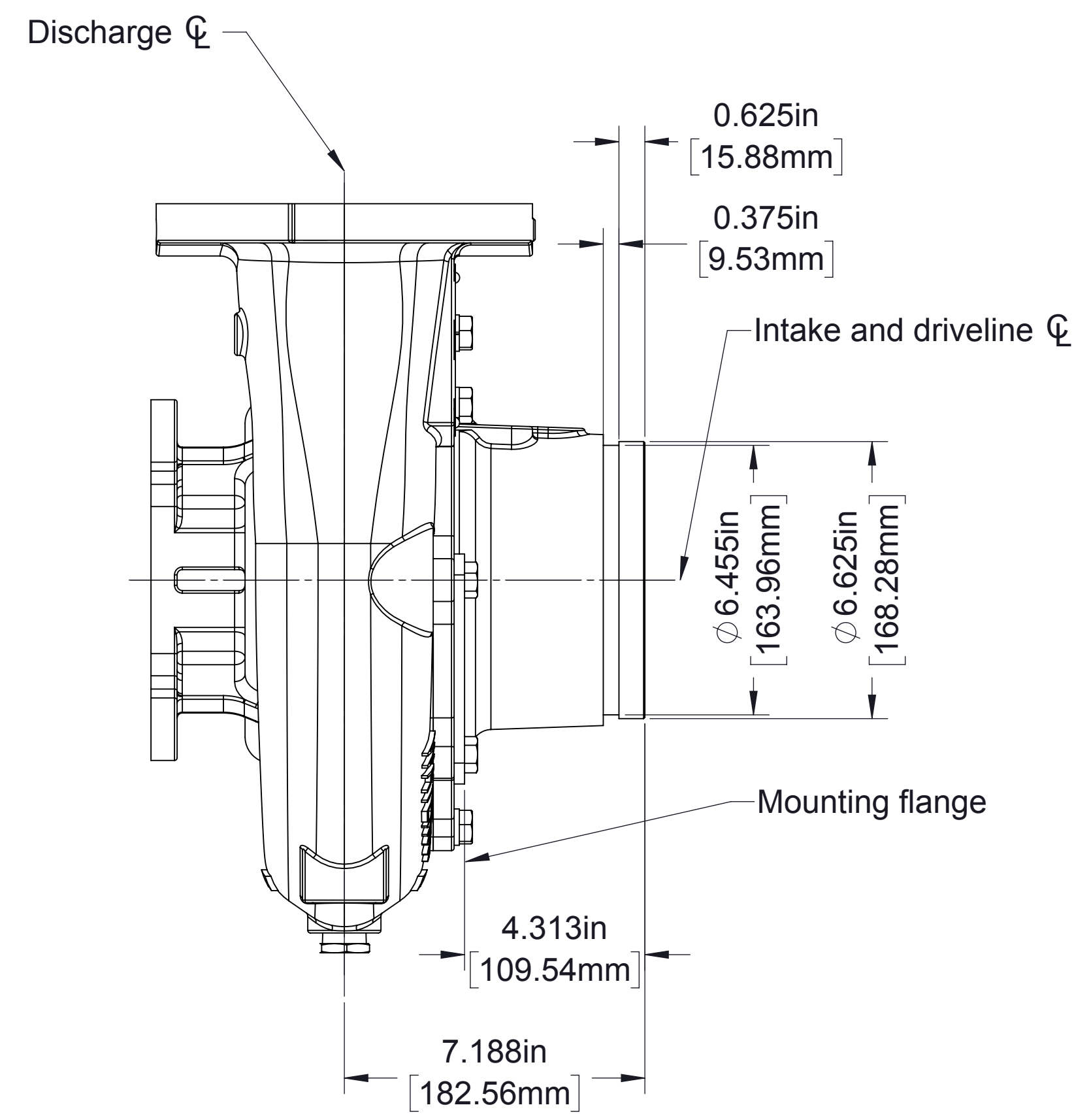


**Compressor and Water Pump**  
(K Transmission)

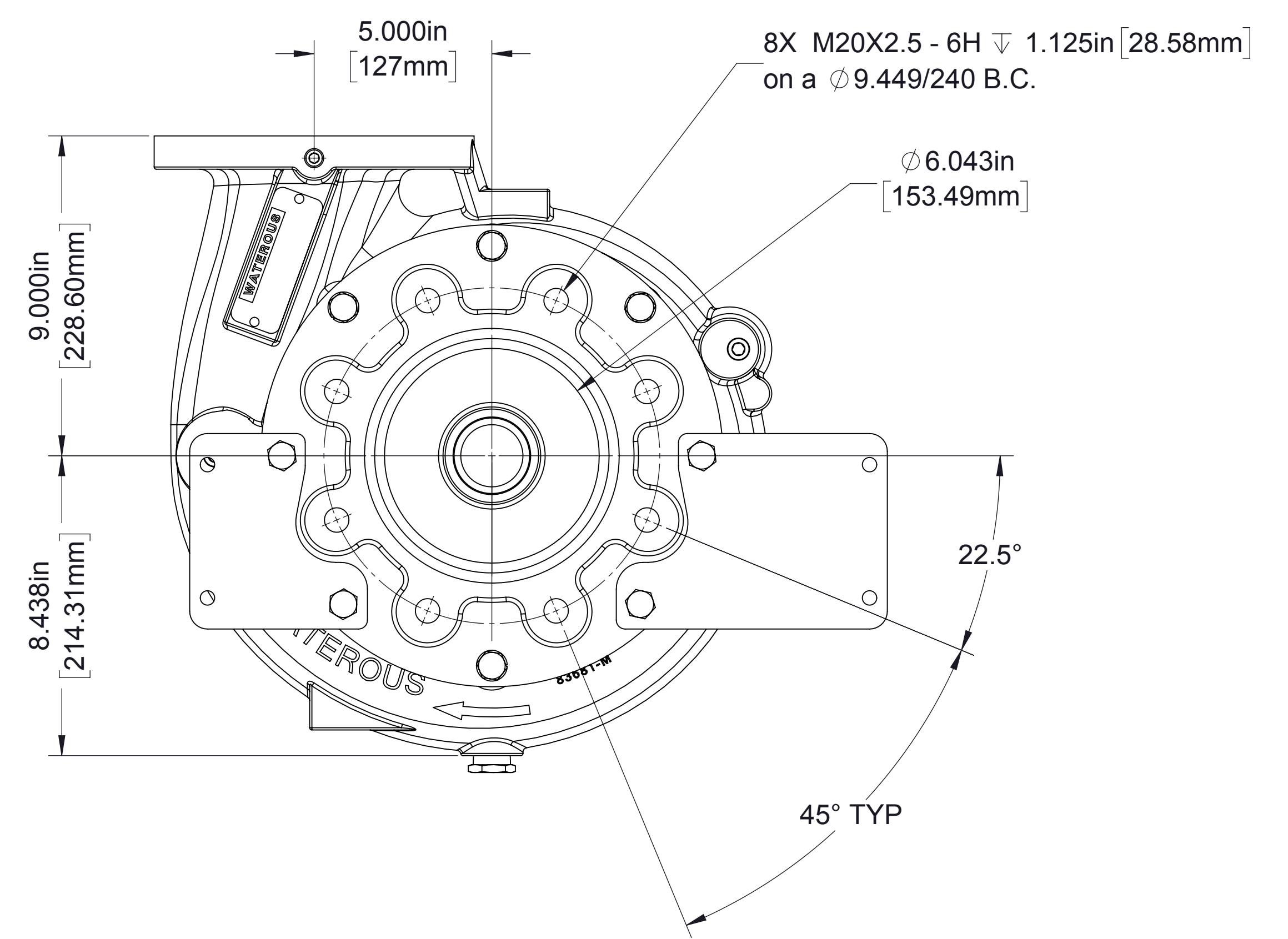
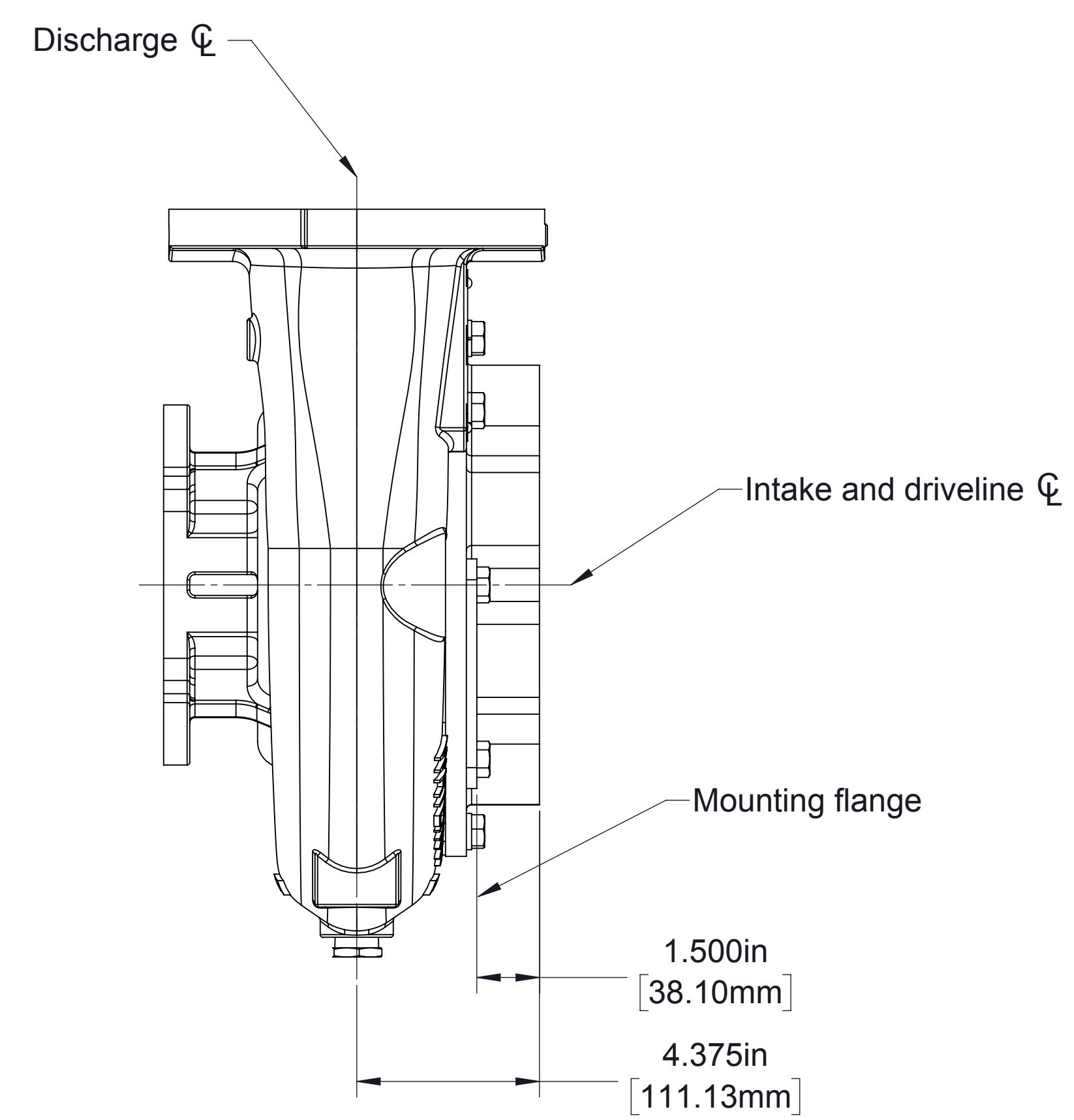
Ratio	A	B	C	D
1.70	11.288/286.71	10.943/277.94	6.111/155.22	4.737/120.32
1.90	11.269/286.24	10.924/277.47	6.130/155.70	4.755/120.79
2.10	11.239/285.46	10.894/276.70	6.160/156.46	4.786/121.56



**Compressor and Water Pump**  
(PA Transmission)

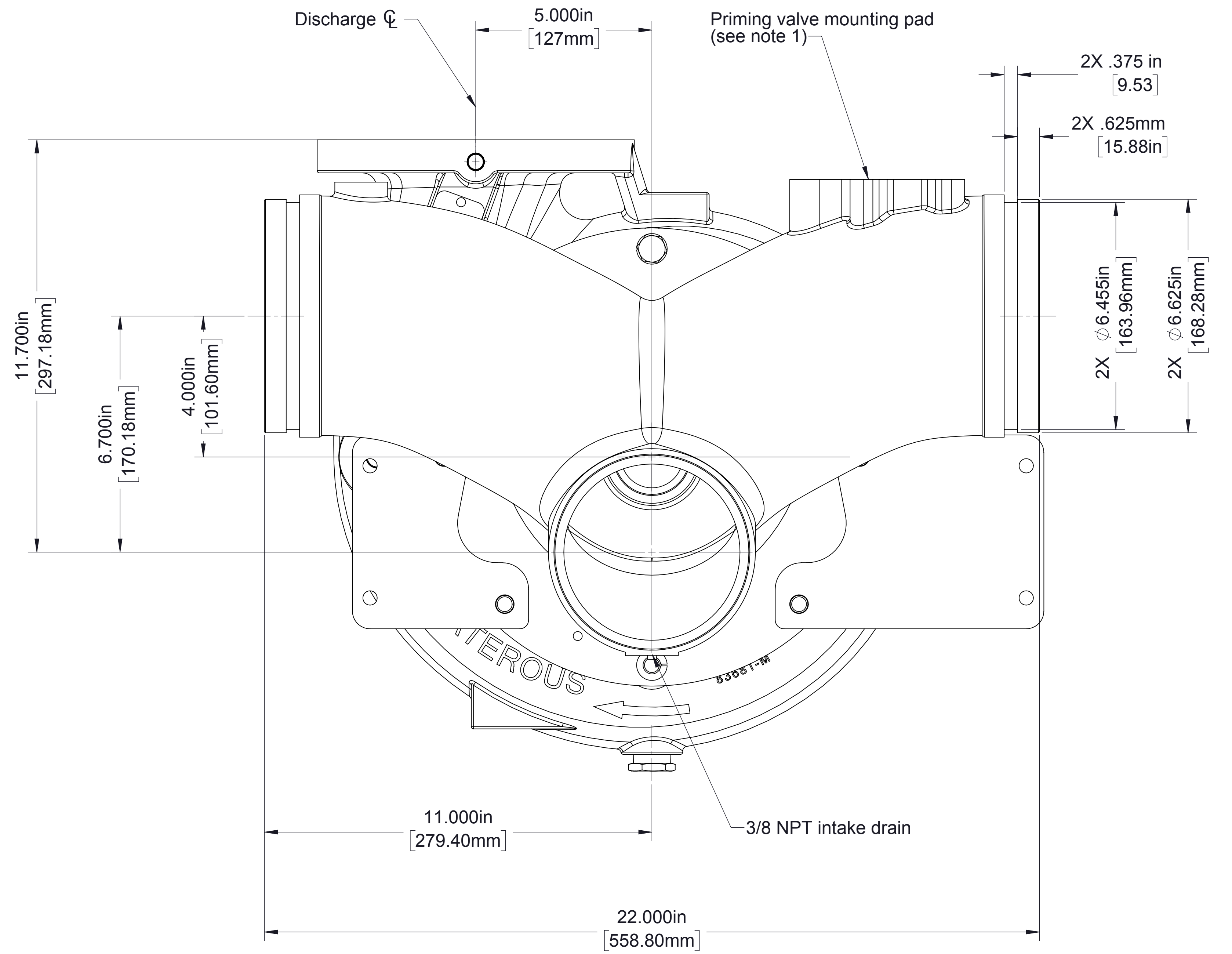
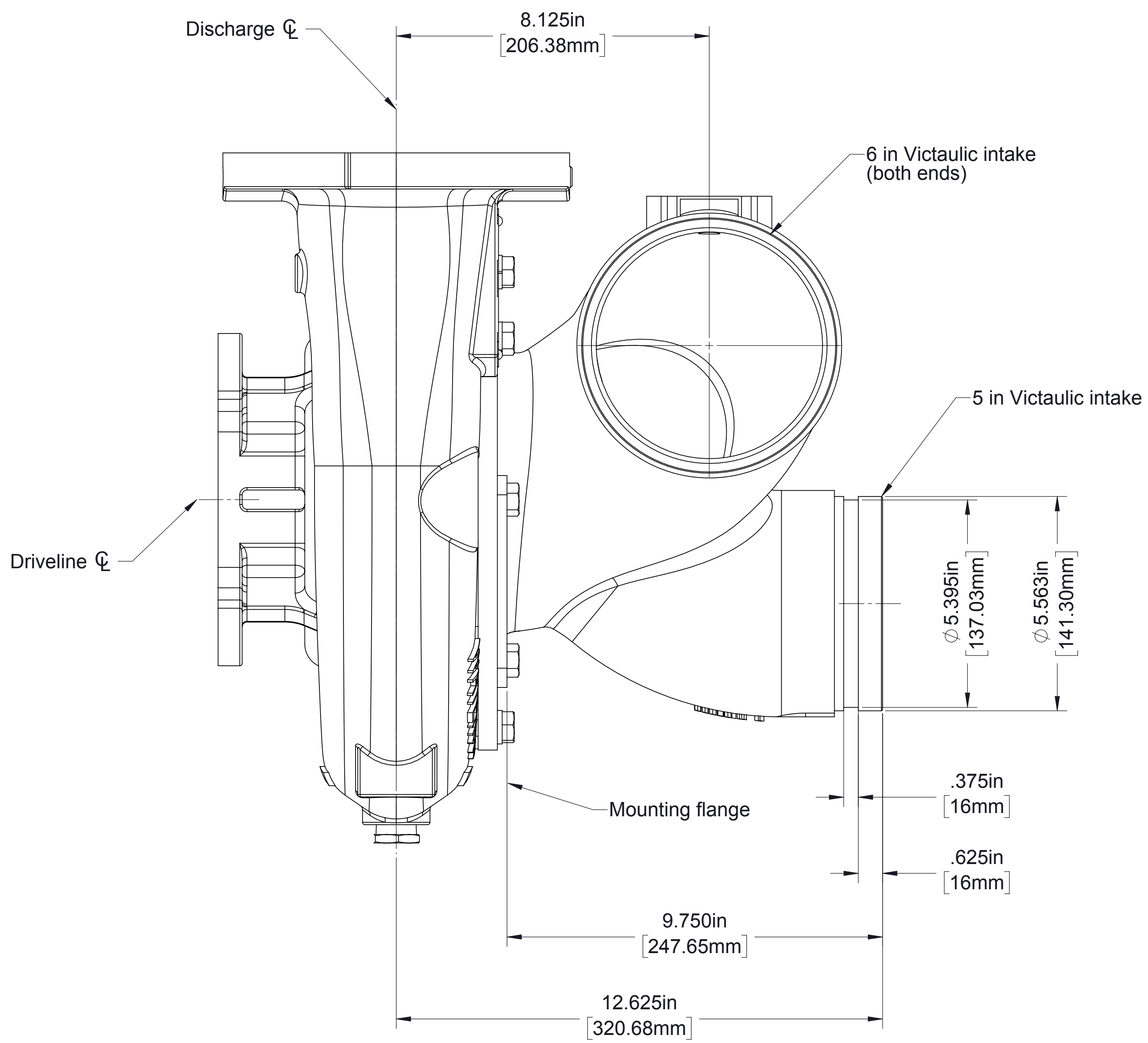


**Single Grooved Intake (6 in)  
Pump model CXV**



**Flanged Intake (DIN 150)  
(Pump model CXN)**

**Available Pump Intake Connections**

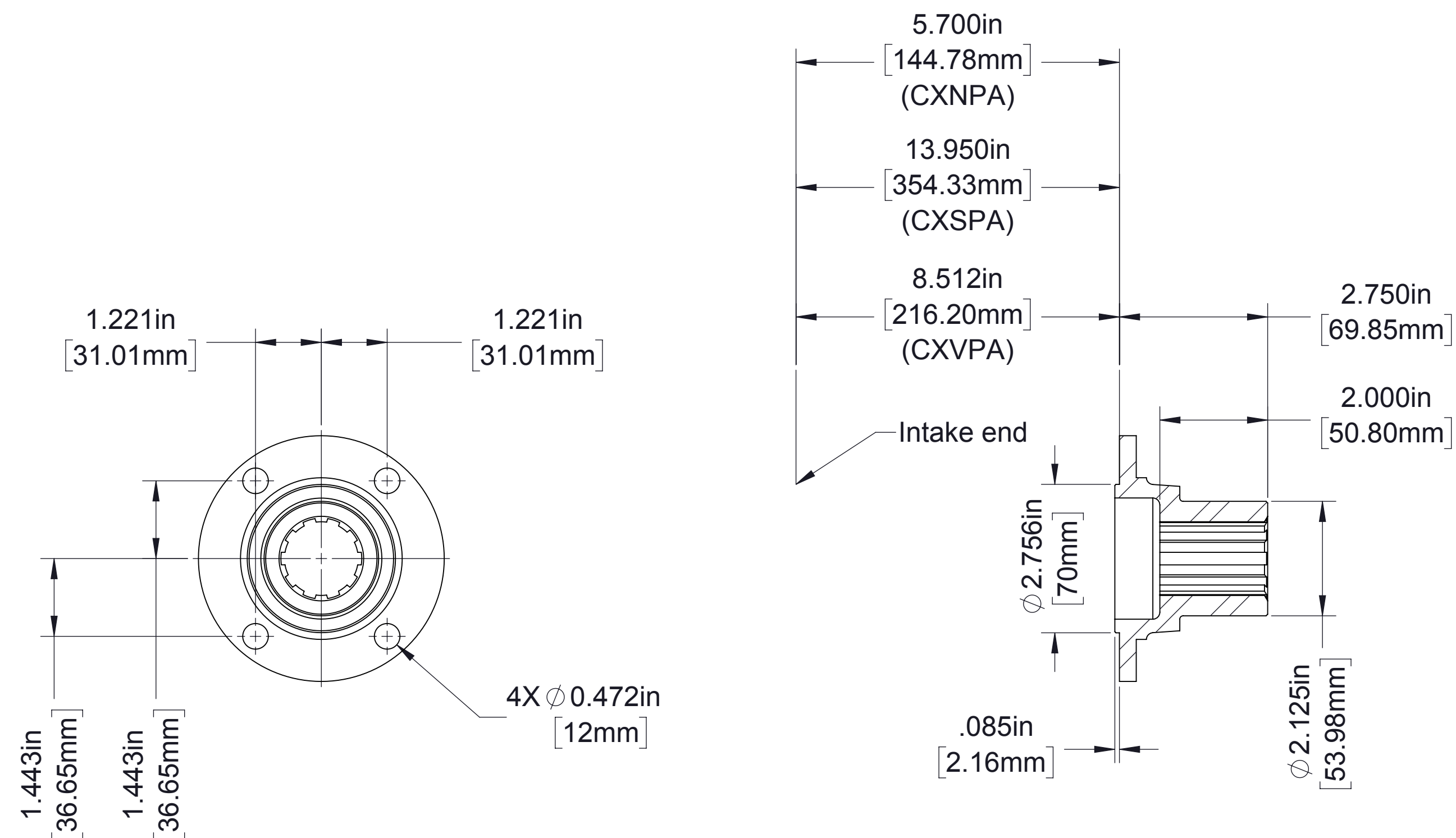


**Dual Grooved Intake (6 in)  
Pump model CXS**

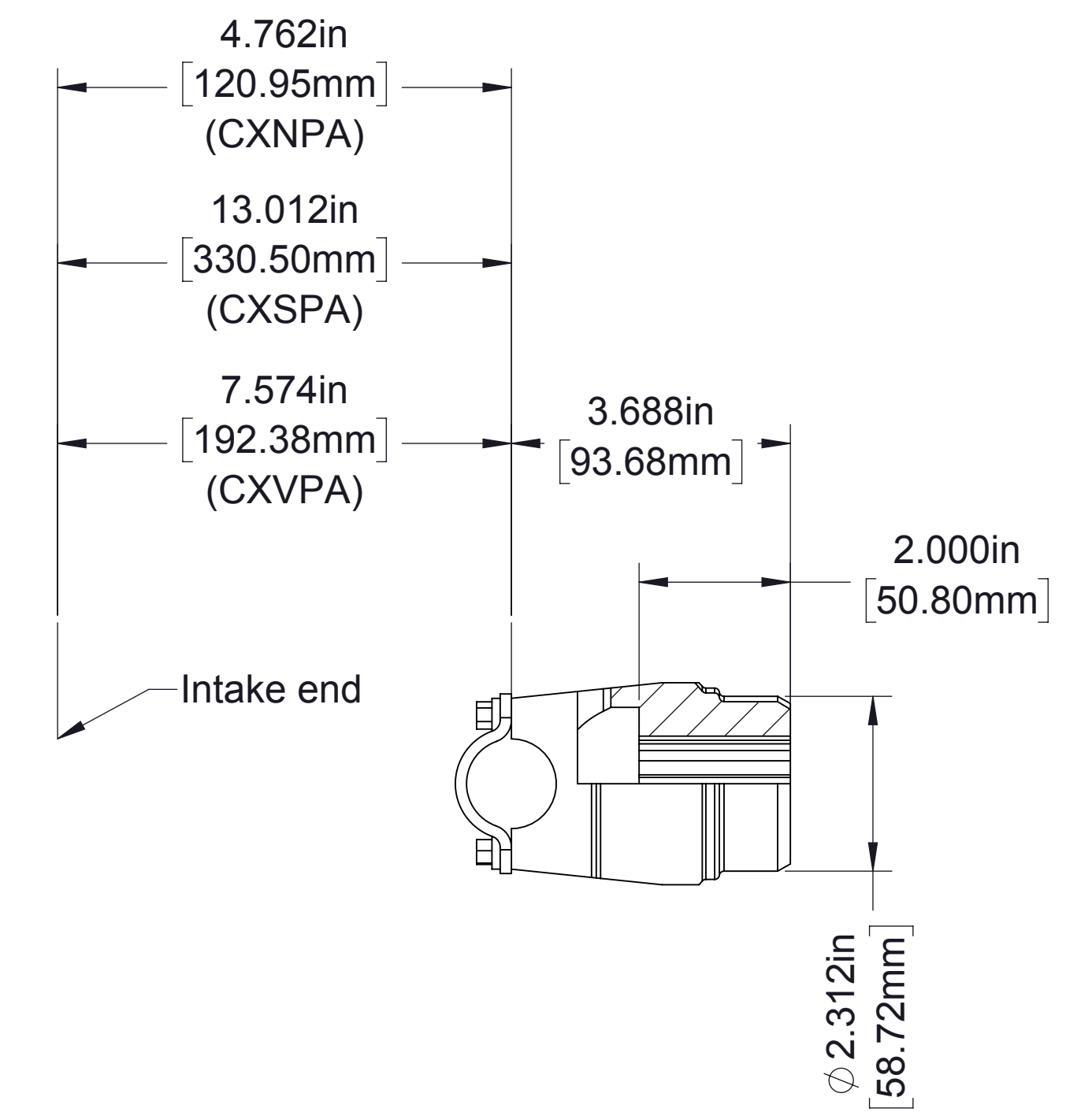
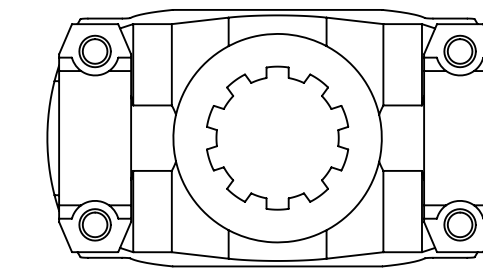
- Notes:
1. See drawing DPL82908 for priming valve details.
  2. Pump mounted relief valve not available.

**Available Pump Intake Connections**

## PA Transmission

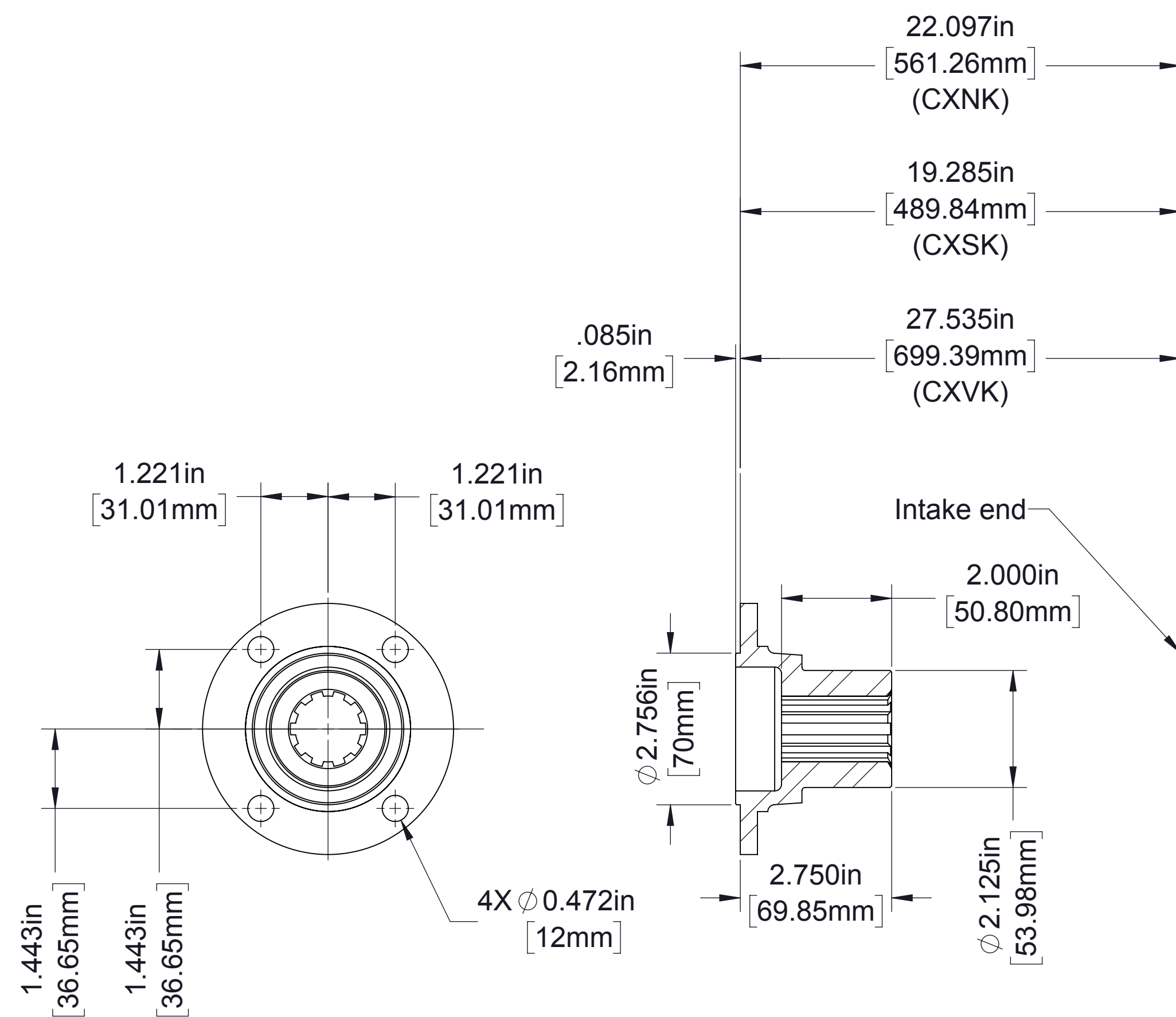


**70 mm Male Pilot**, part number 73330,  
with 1-1/2-10 spline for PA series transmission

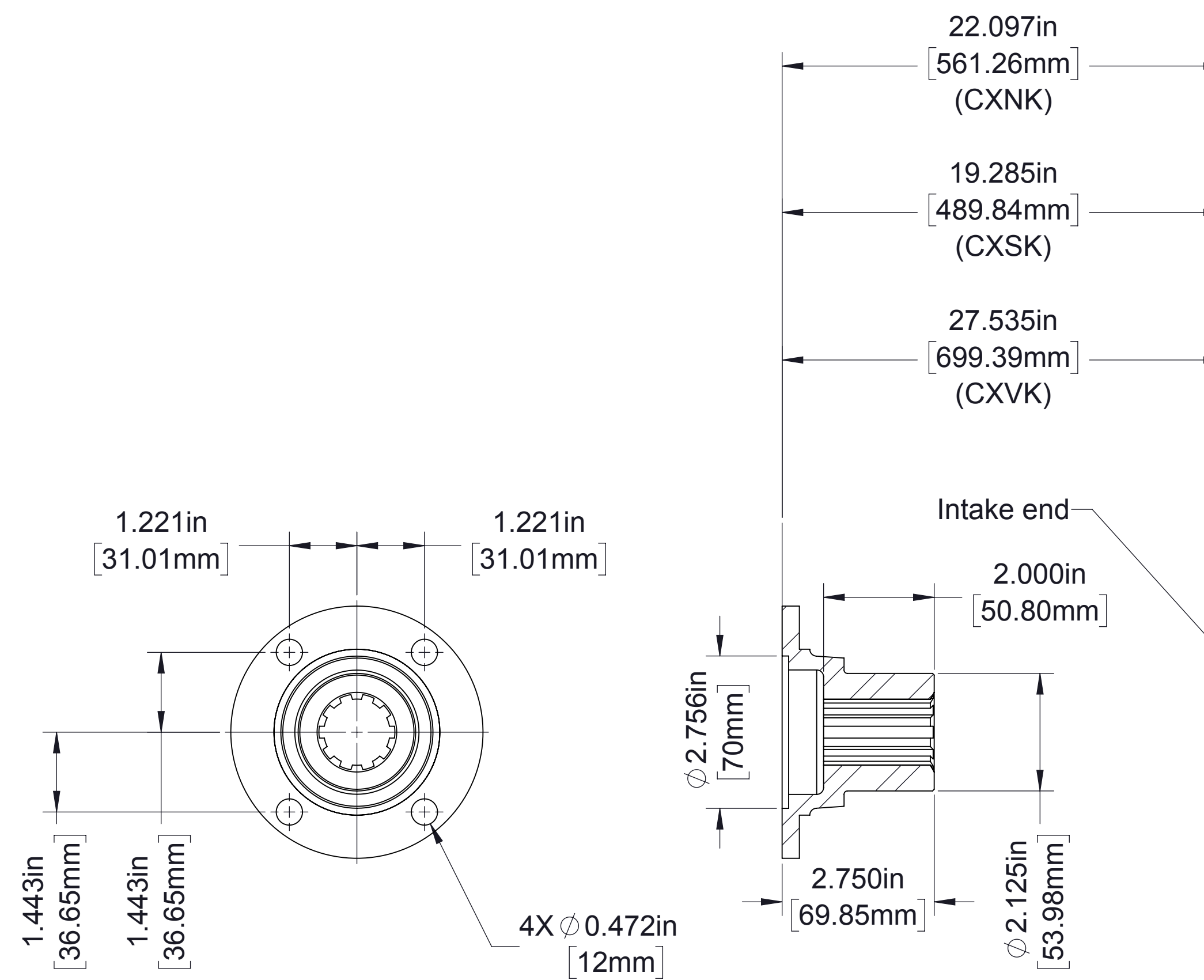


**1410 Series**, part number V 2861,  
with 1-1/2-10 spline for PA series transmission

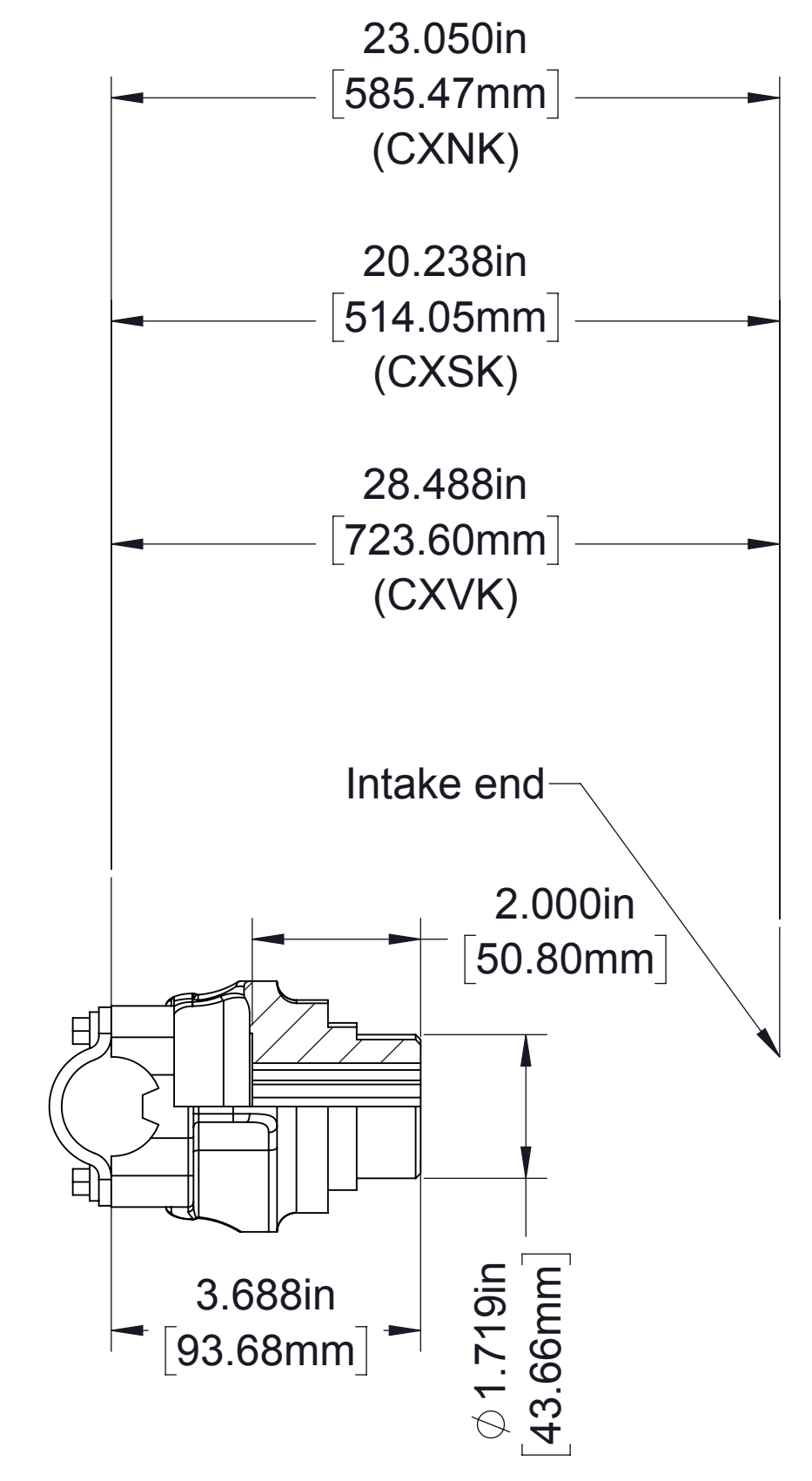
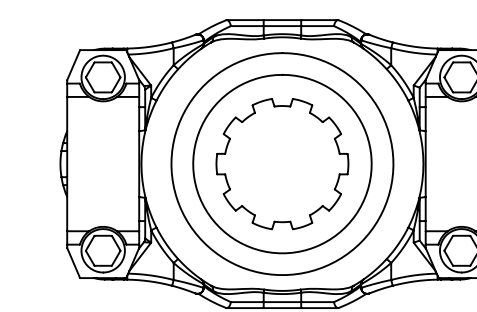
## K Transmission



**70 mm Male Pilot**, part number 73276,  
with 1-3/8-10 spline for K series transmission

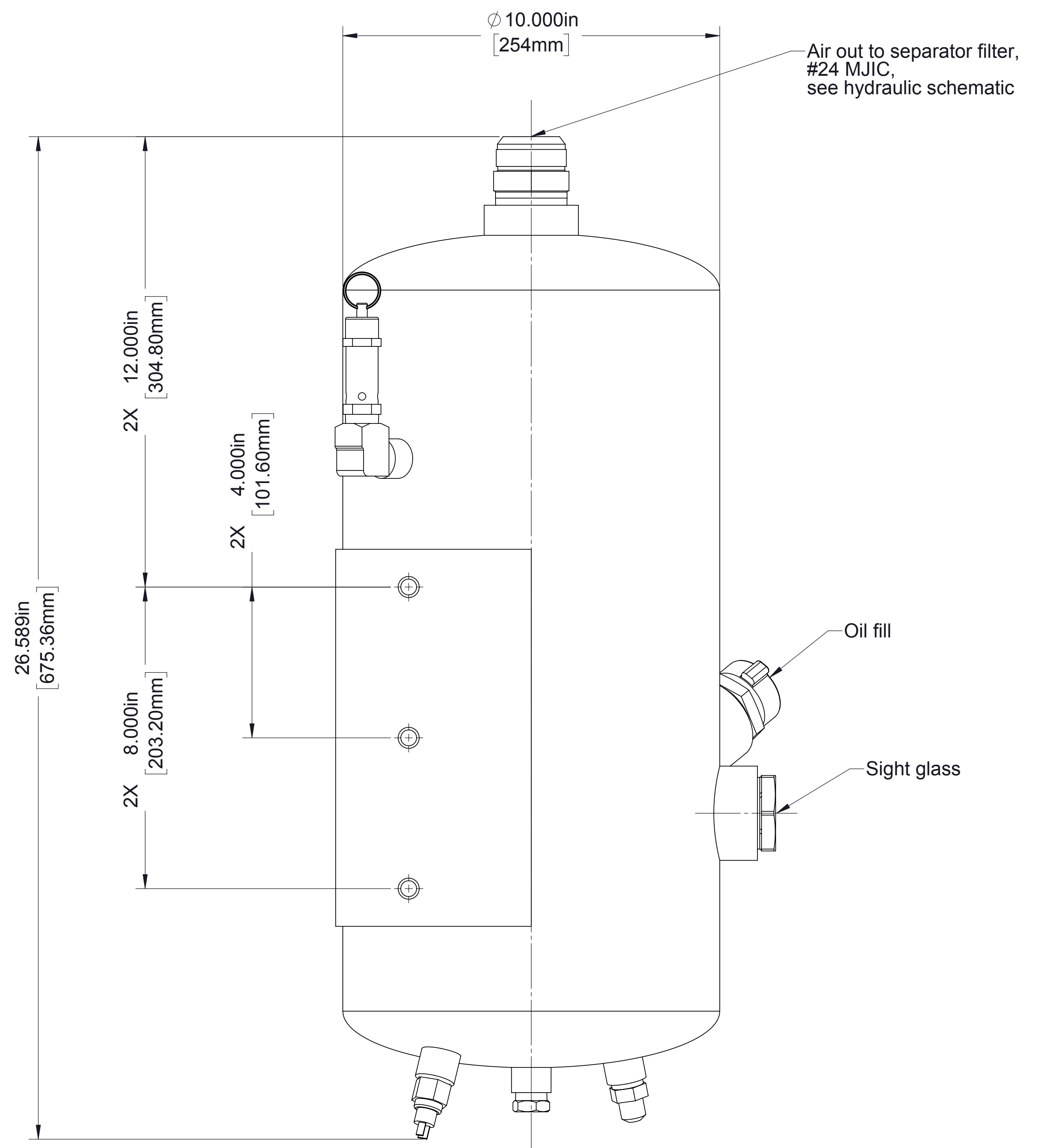
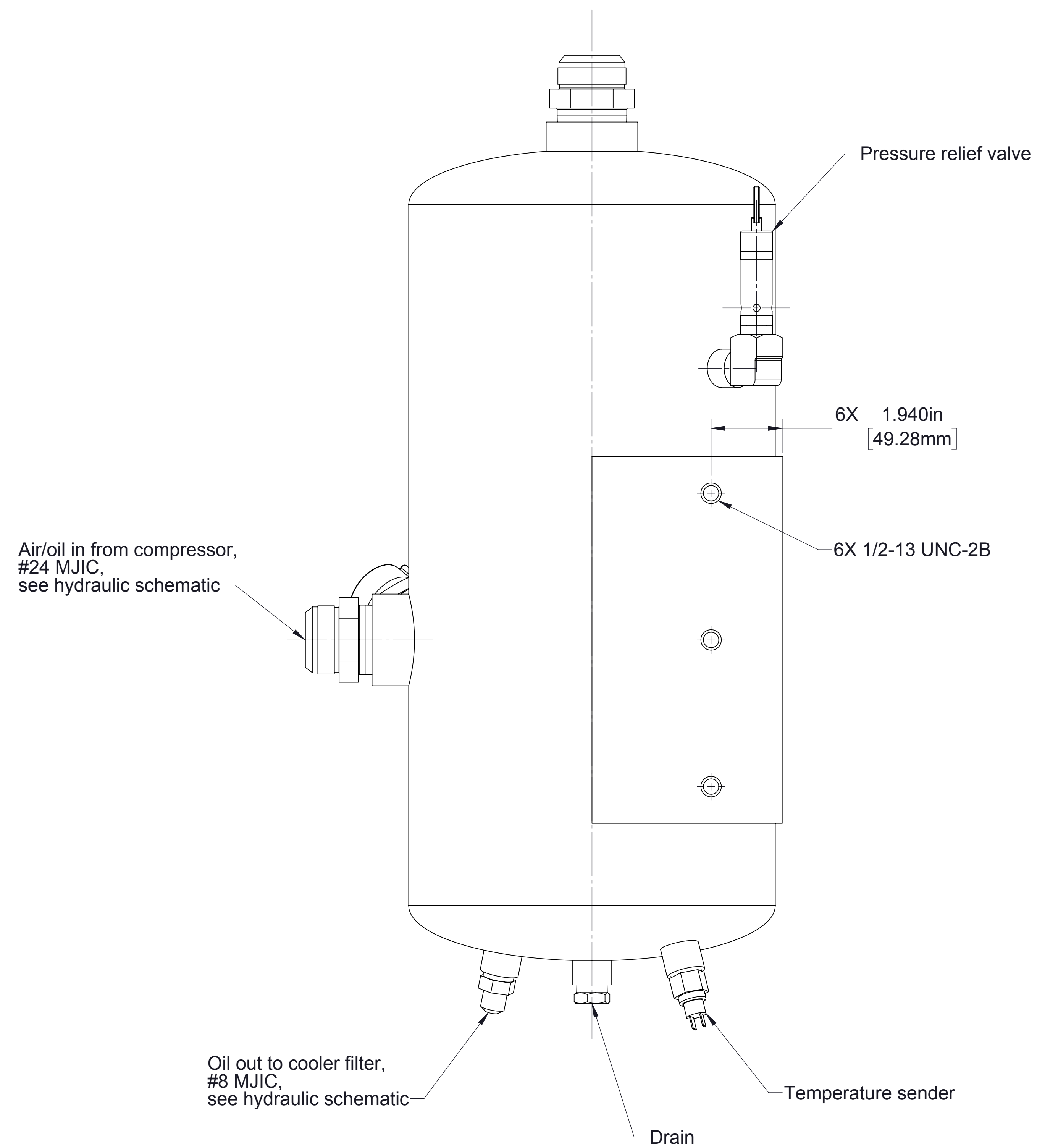
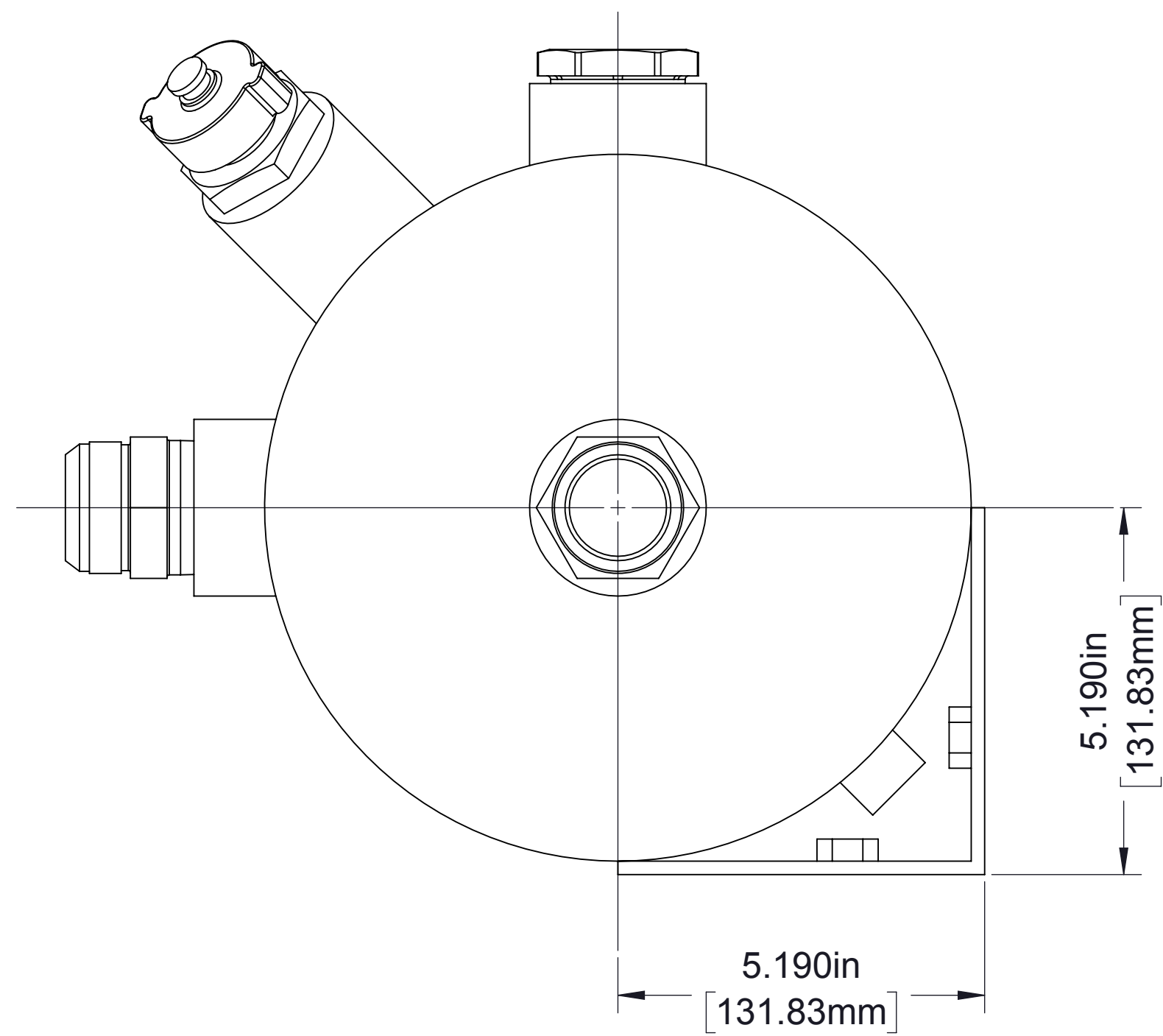


**70 mm Female Pilot**, part number 73377,  
with 1-3/8-10 spline for K series transmission



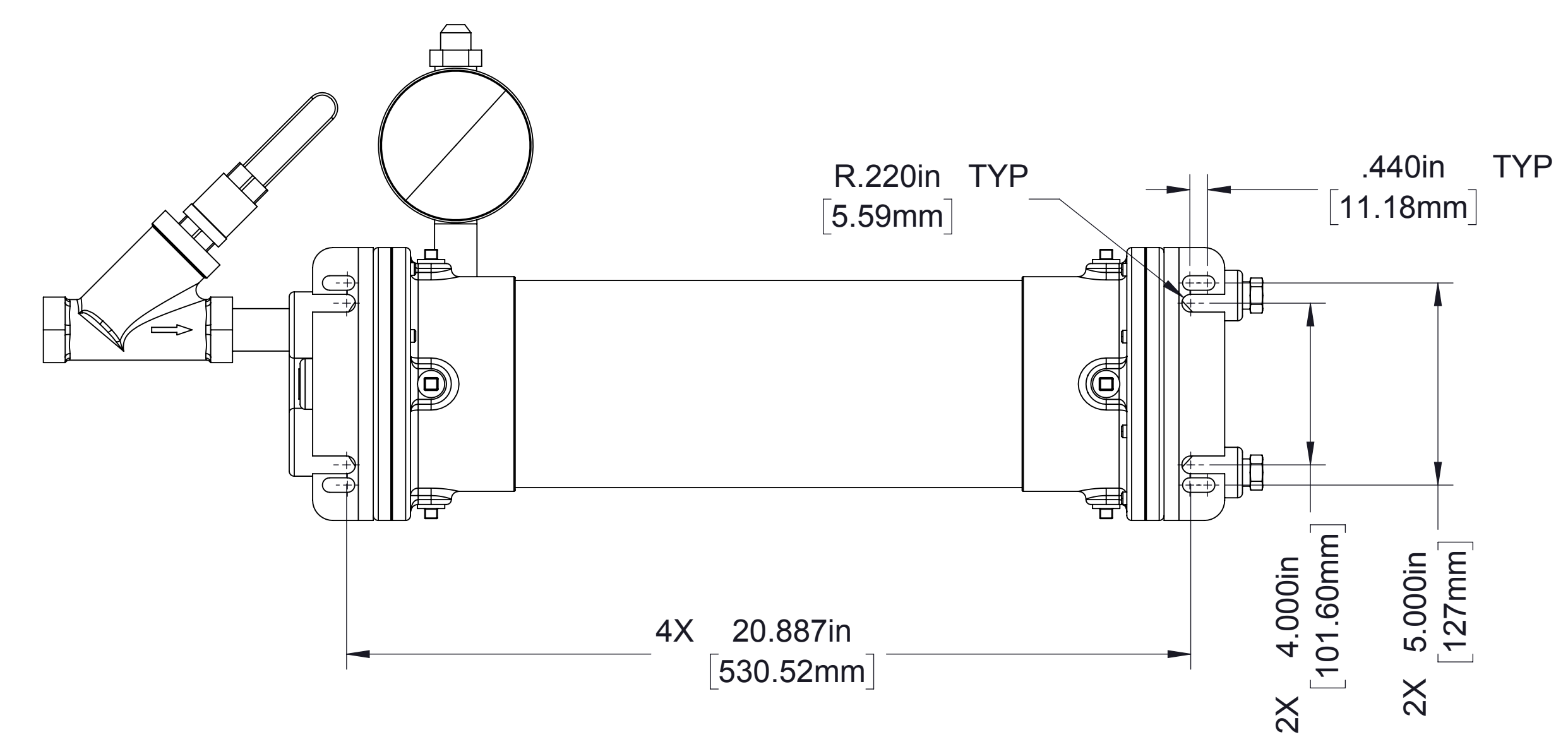
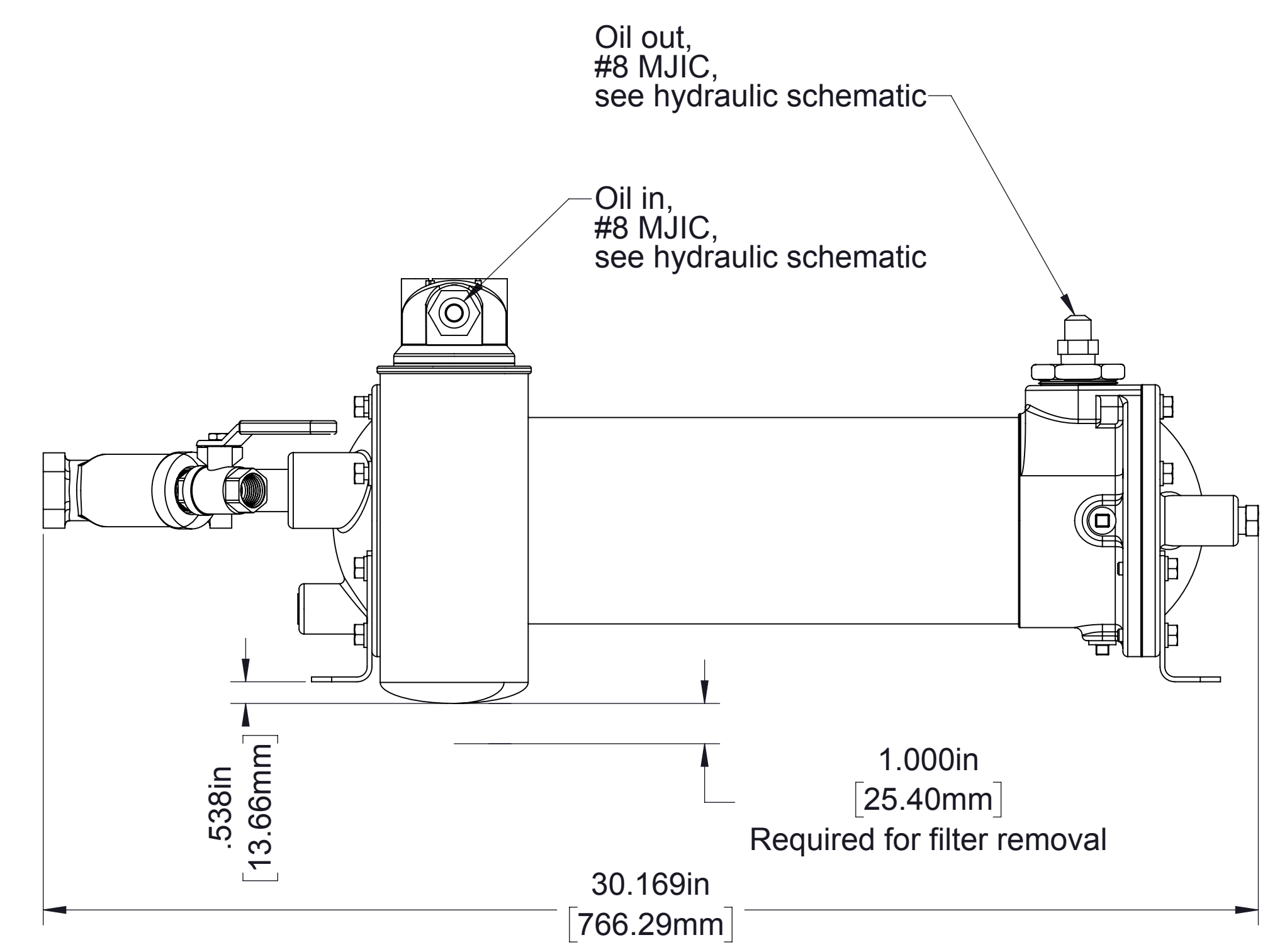
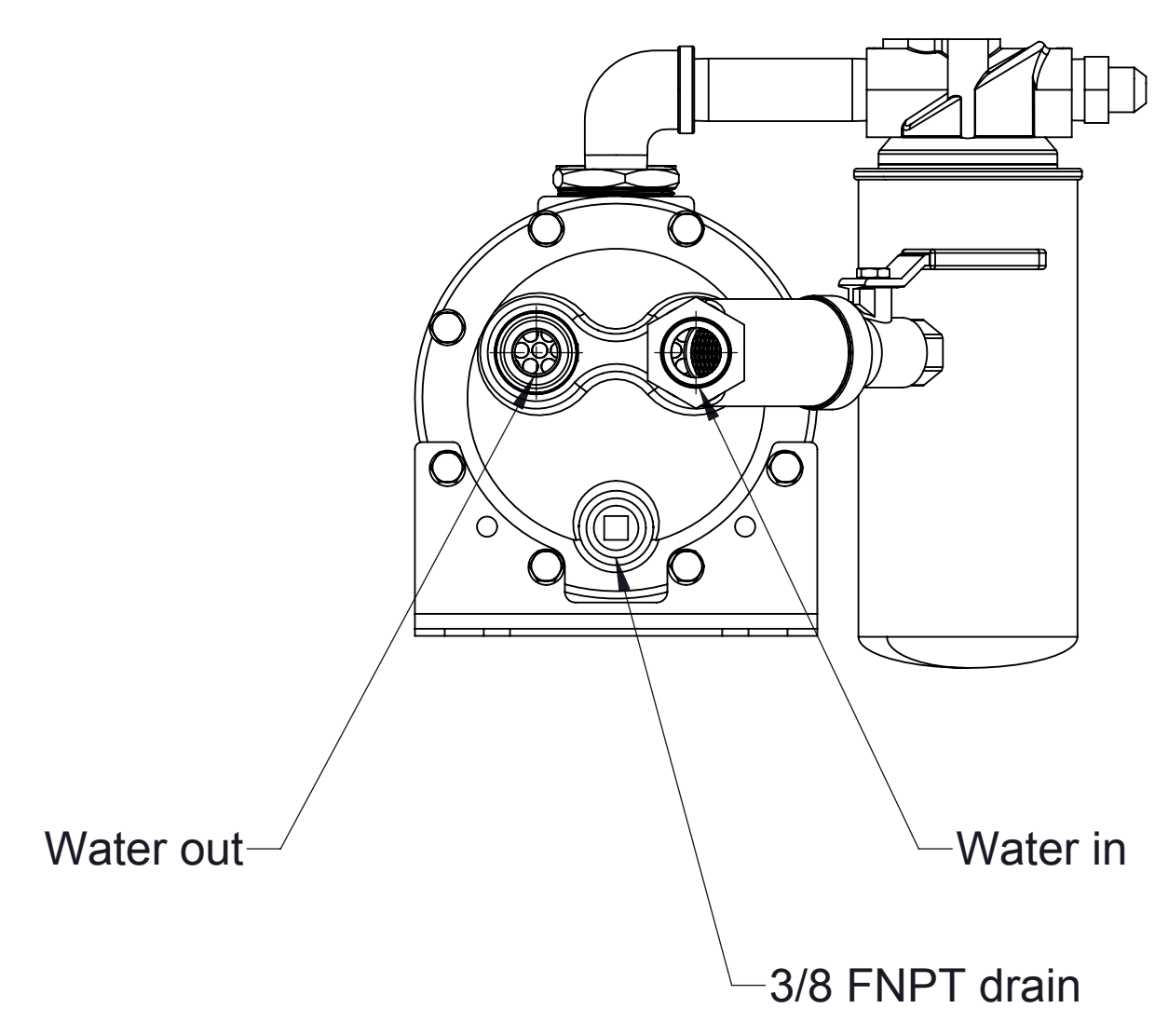
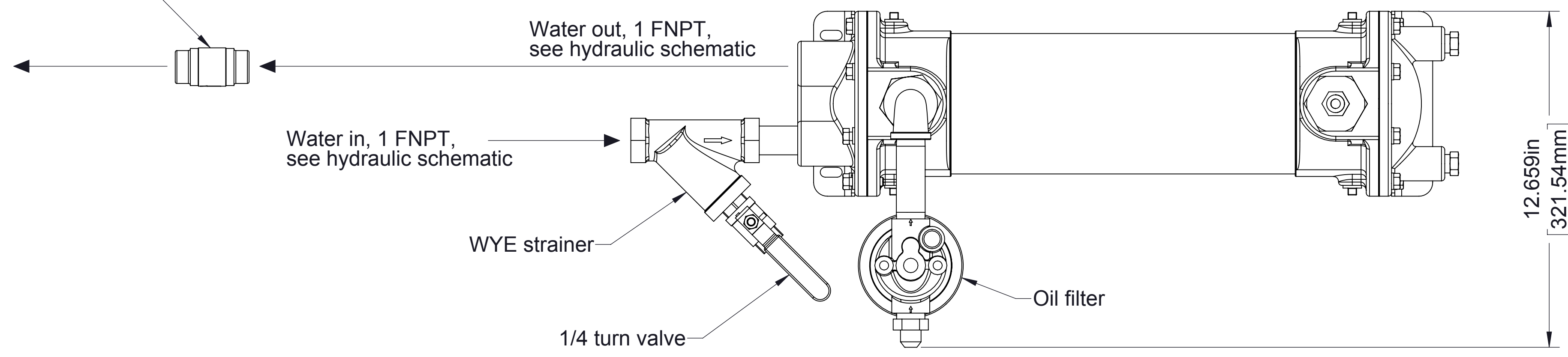
**1410 Series**, part number V 2591,  
with 1-3/8-10 spline for K series transmission

### Available End Yokes and Companion Flanges

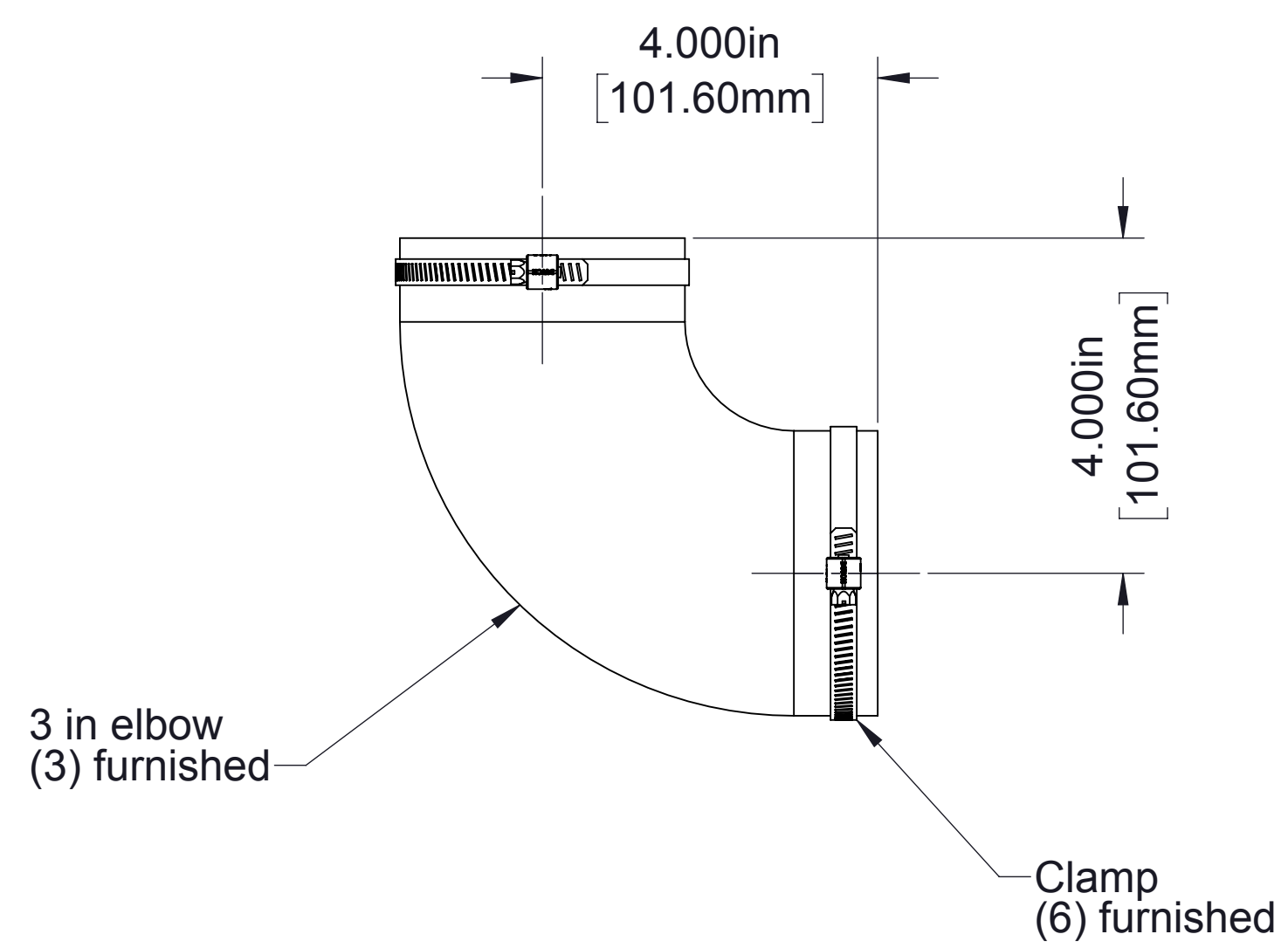
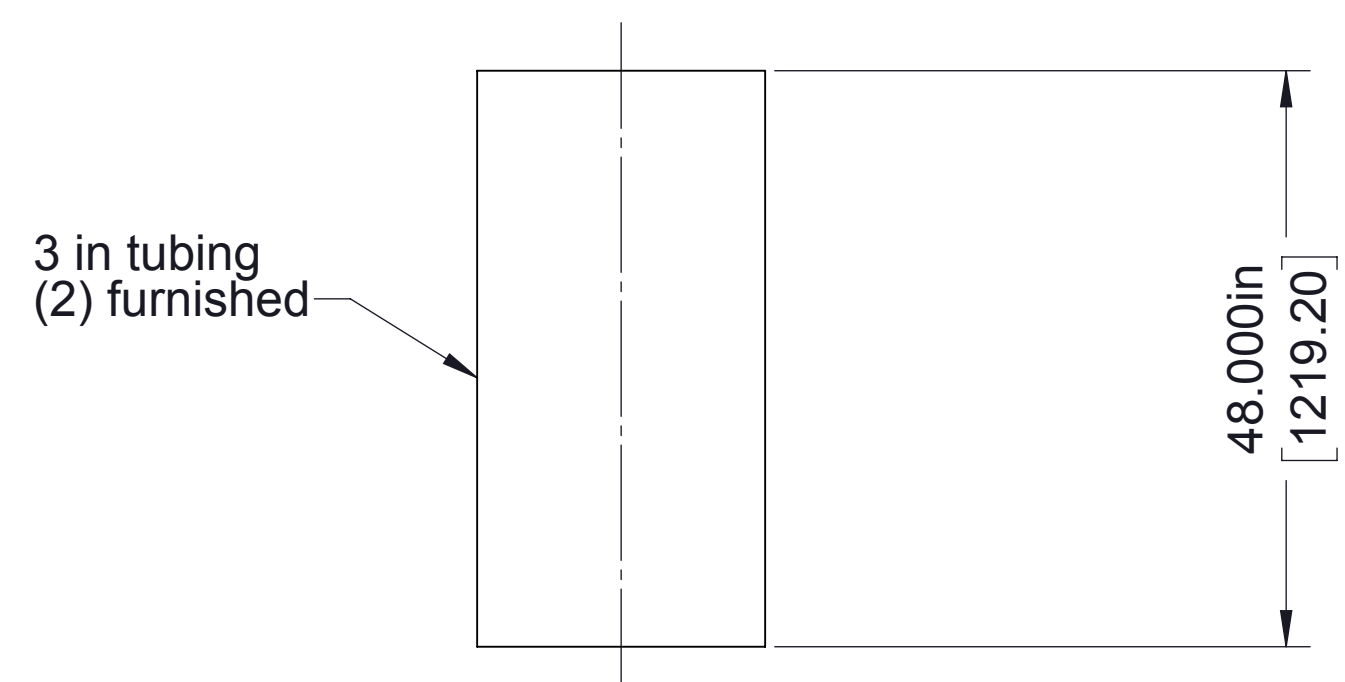
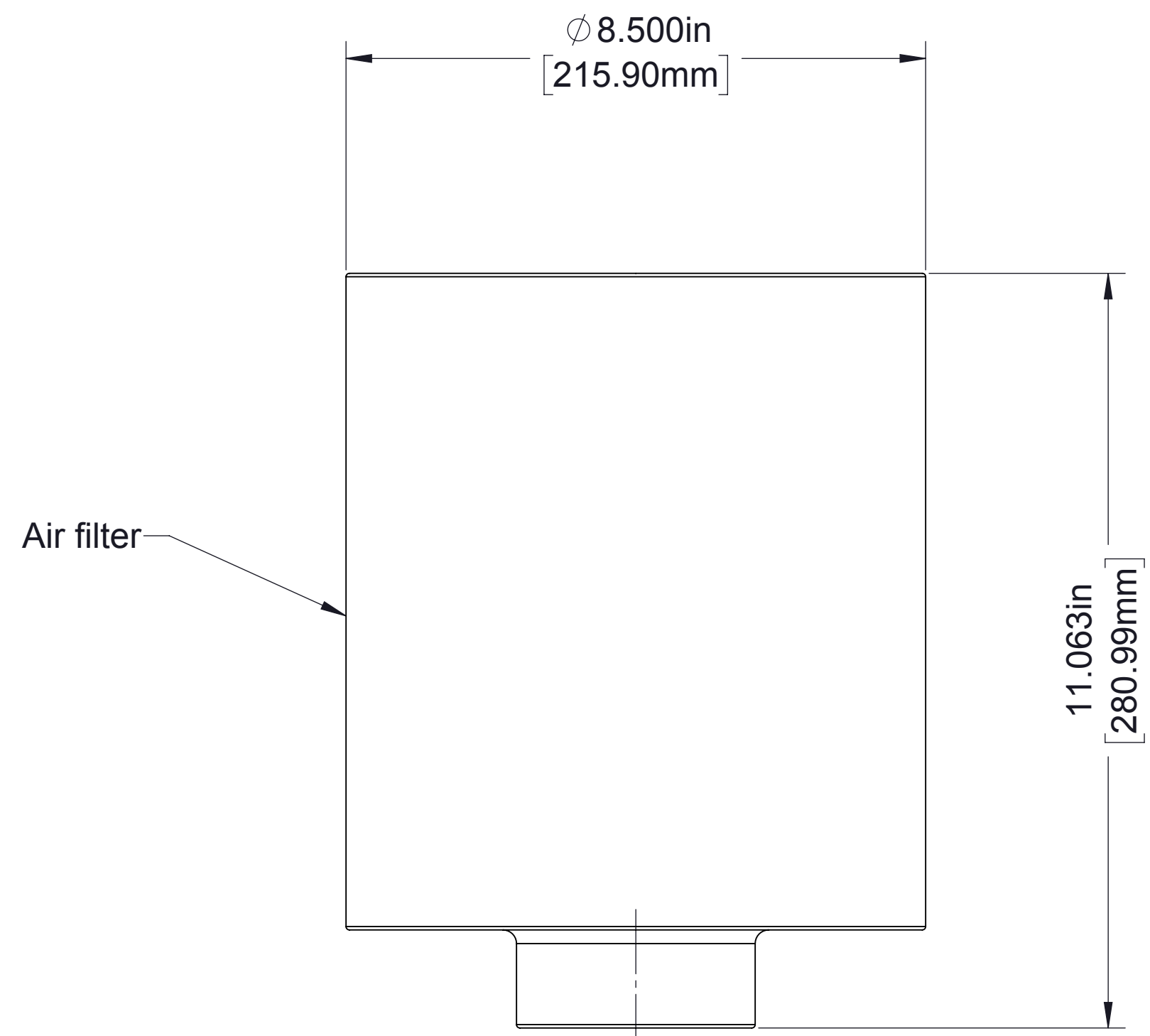


**Sump (Oil Reservoir)**

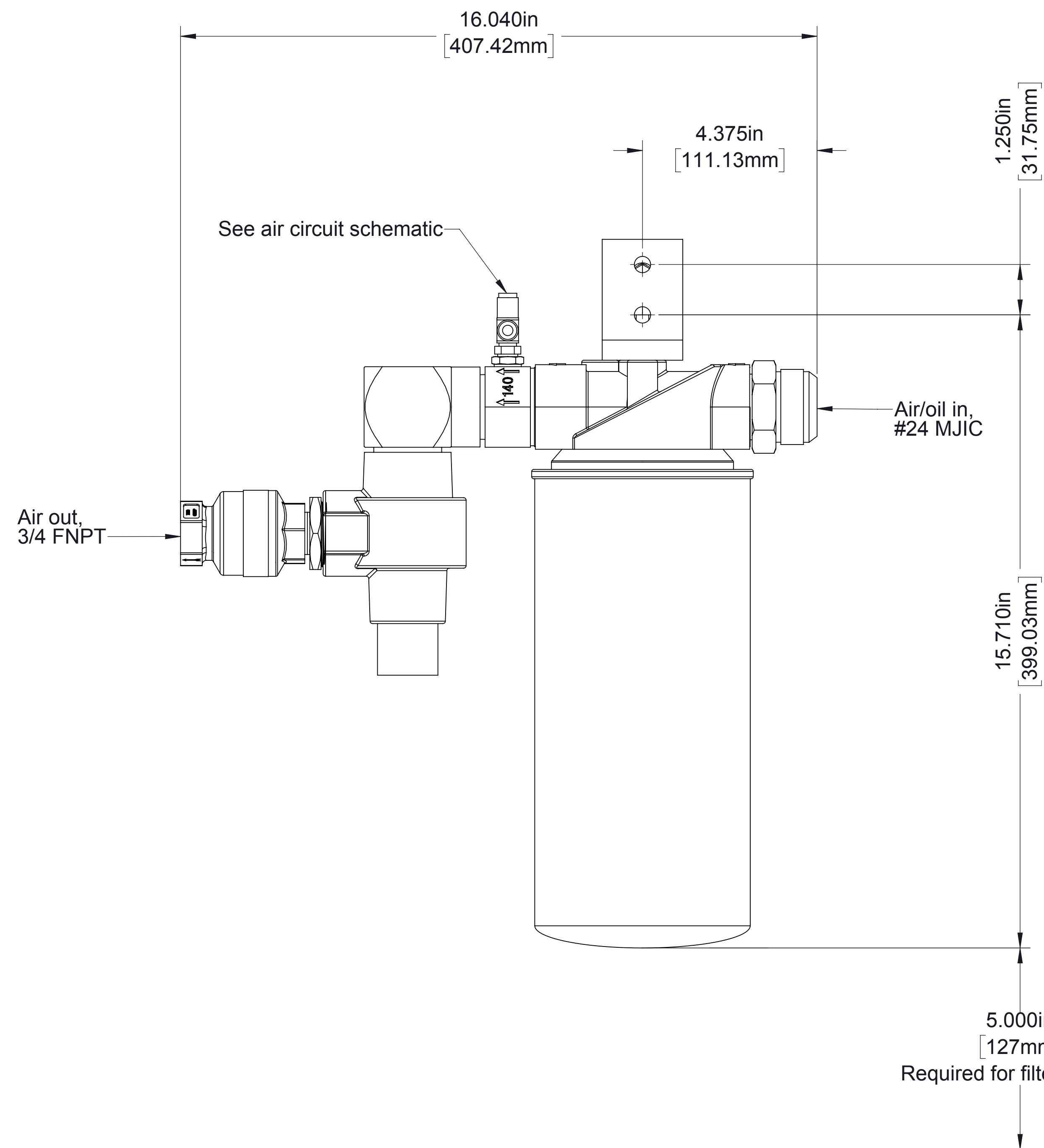
1/2 FNPT check valve,  
use if water is returned to tank



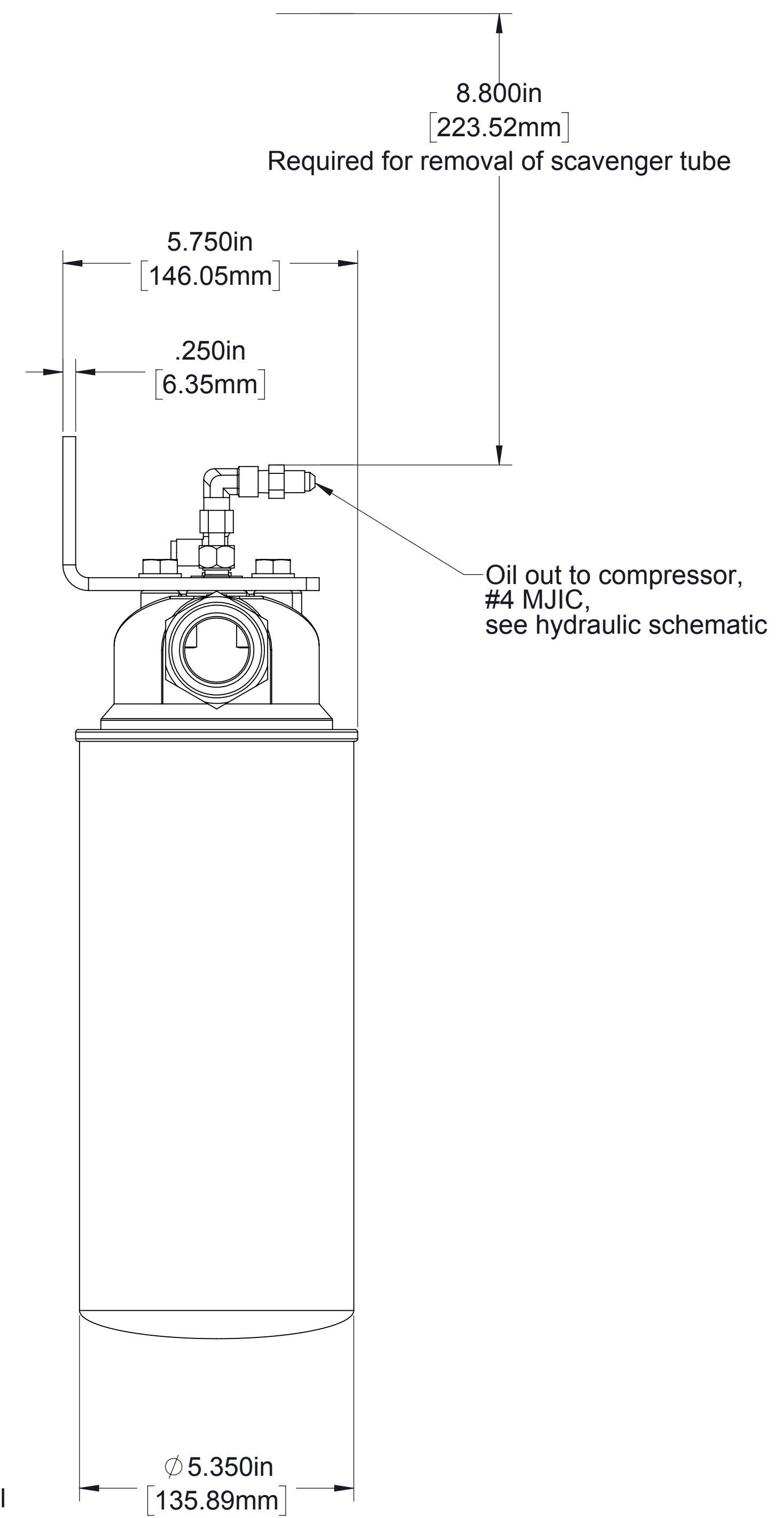


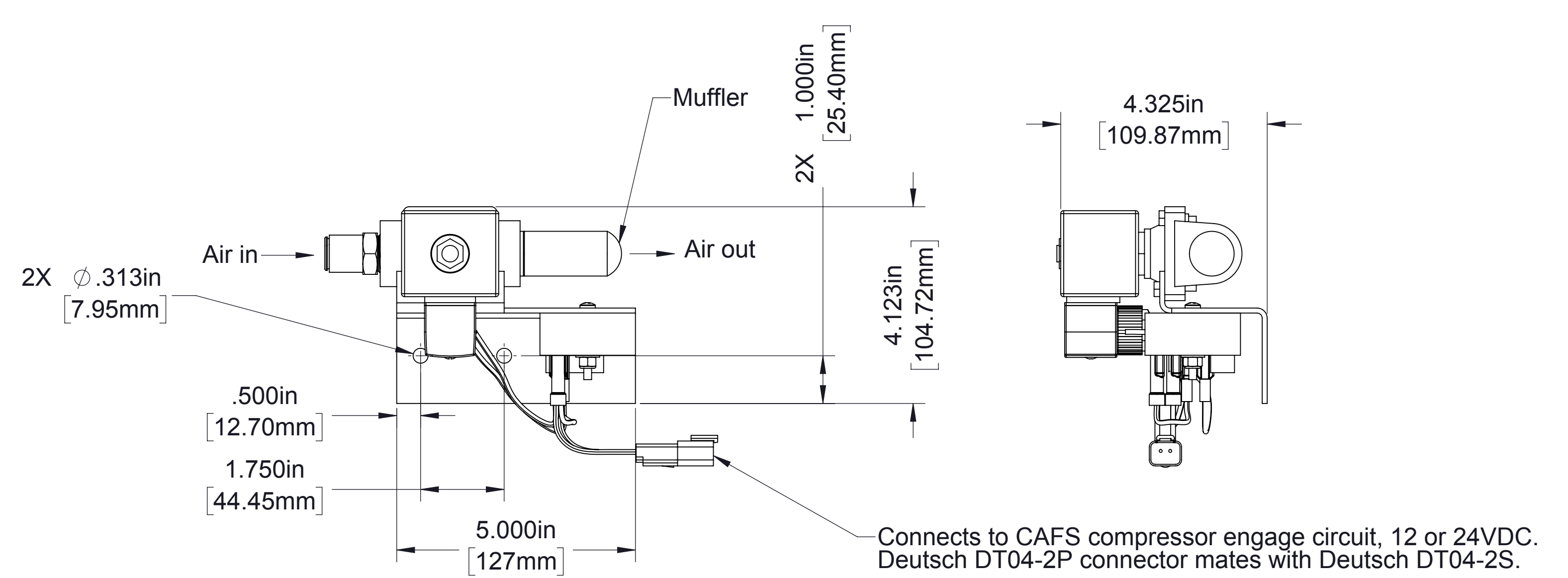
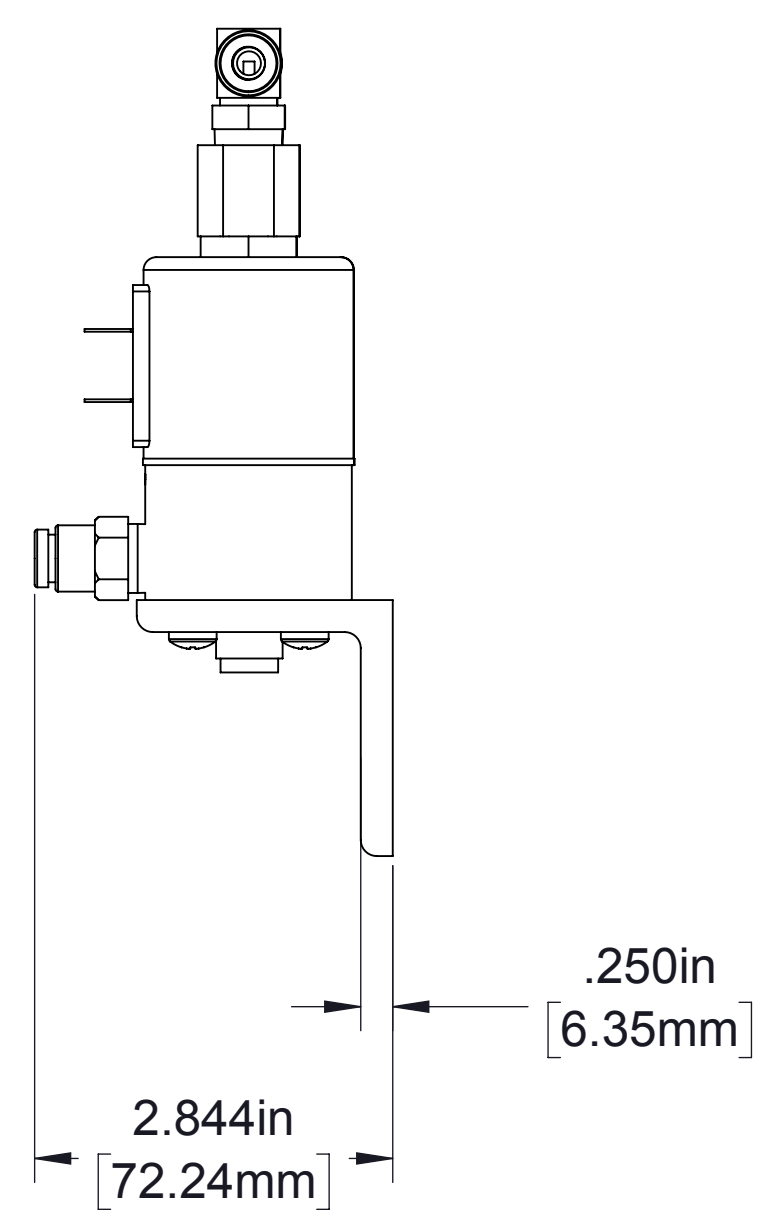
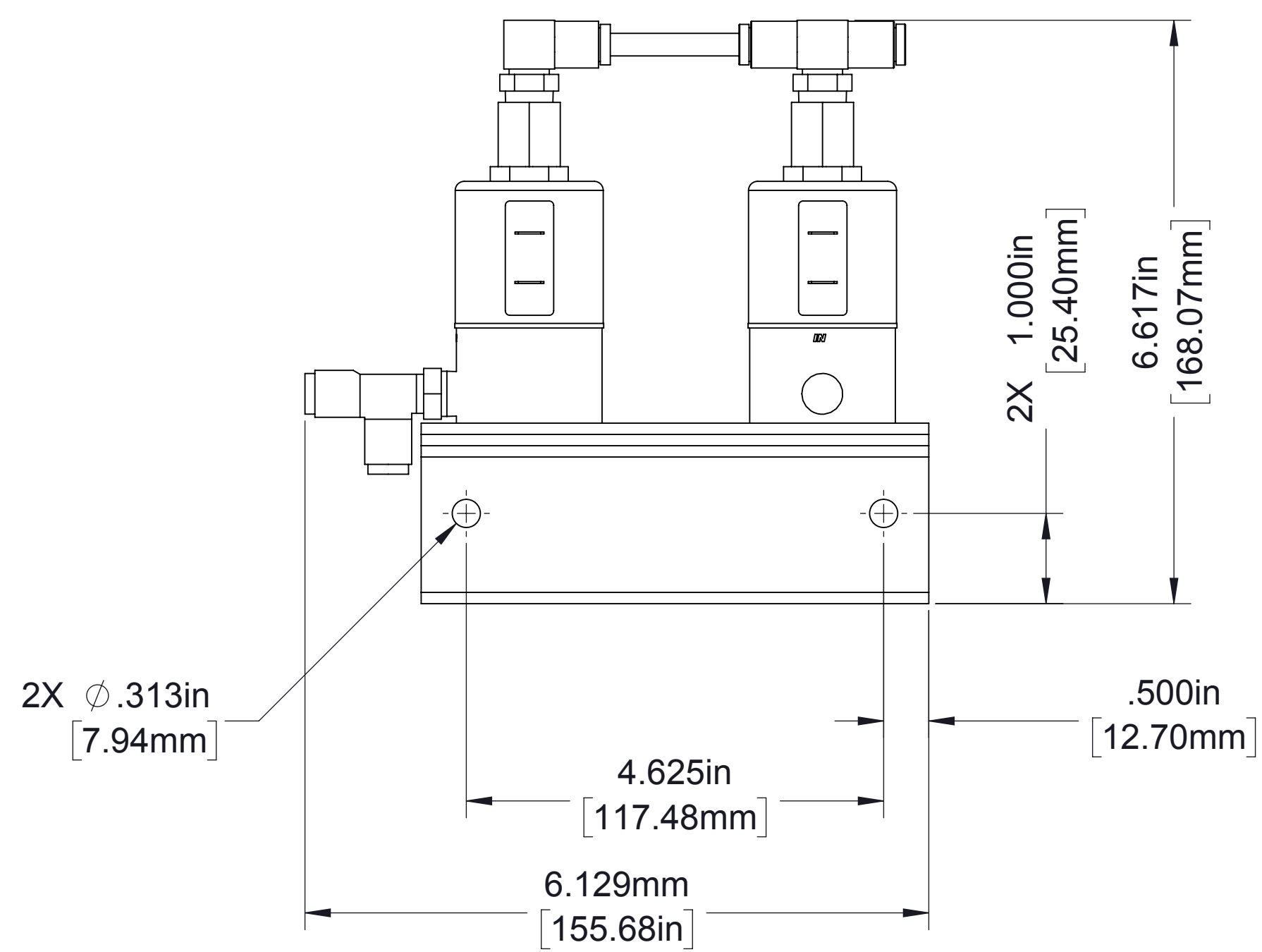


**Air Filter**



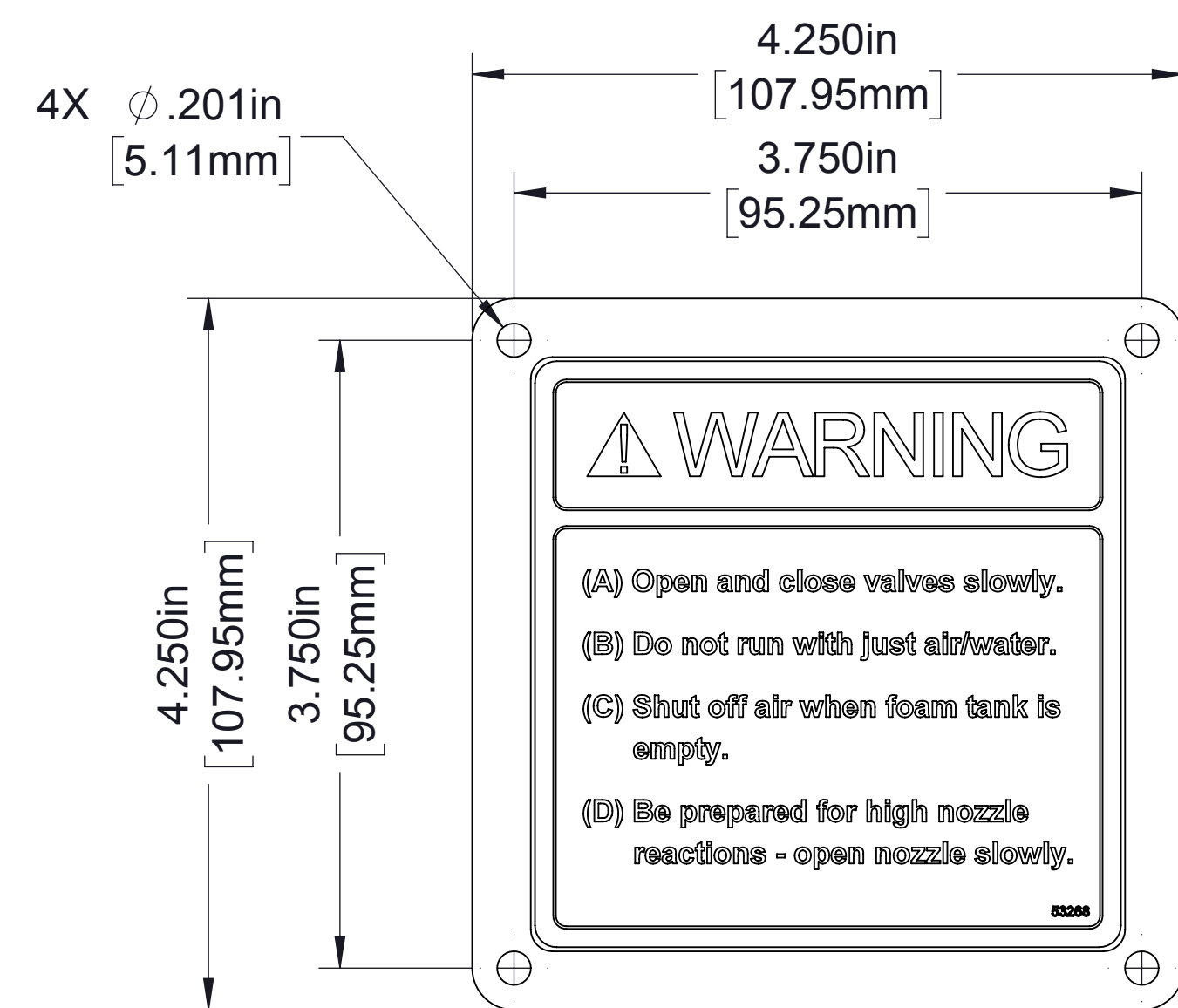
**Separator Filter**



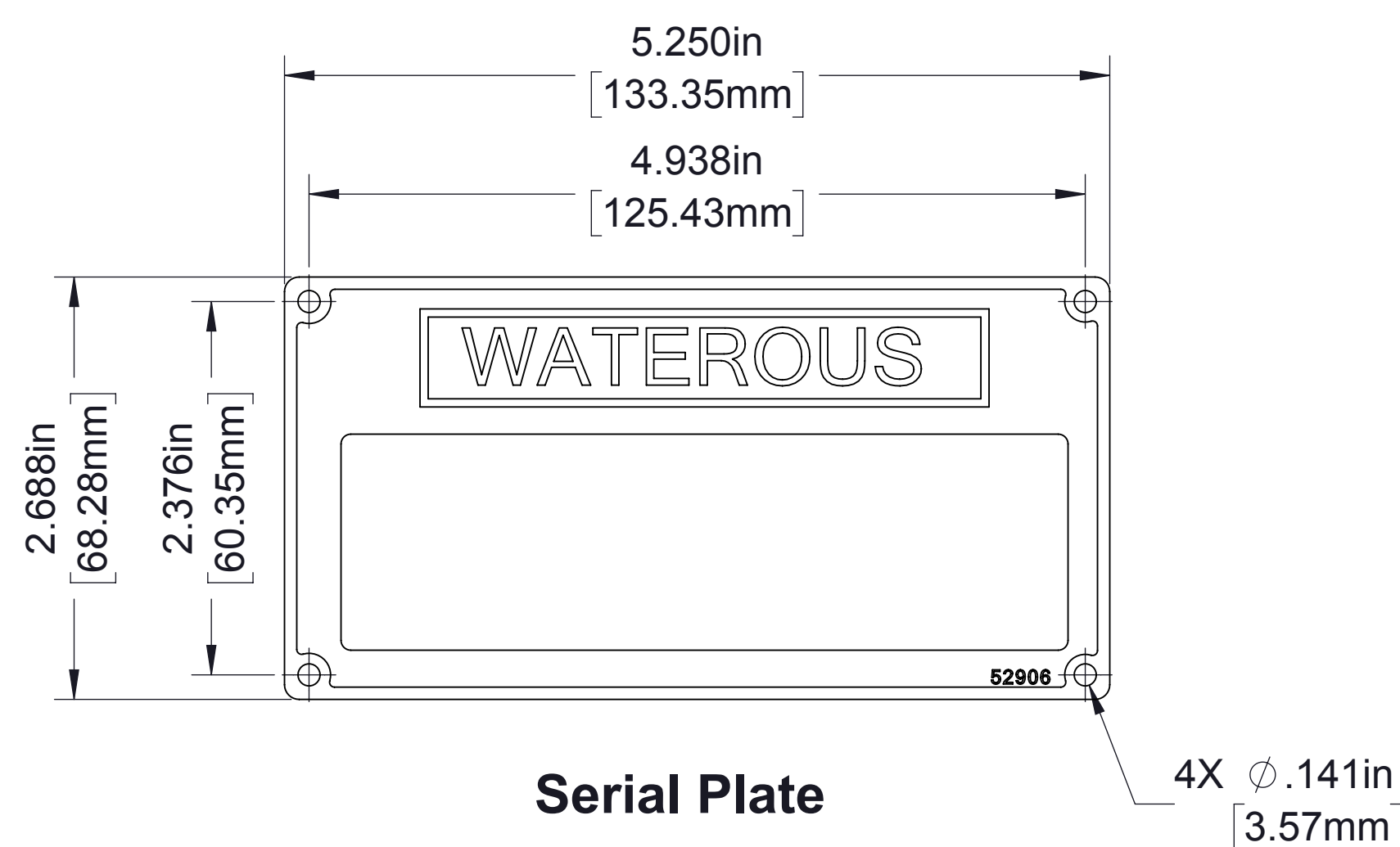


For air connections, see air circuit schematic with High Rise option.

**Auto-Sync**  
(Used with High Rise option only)

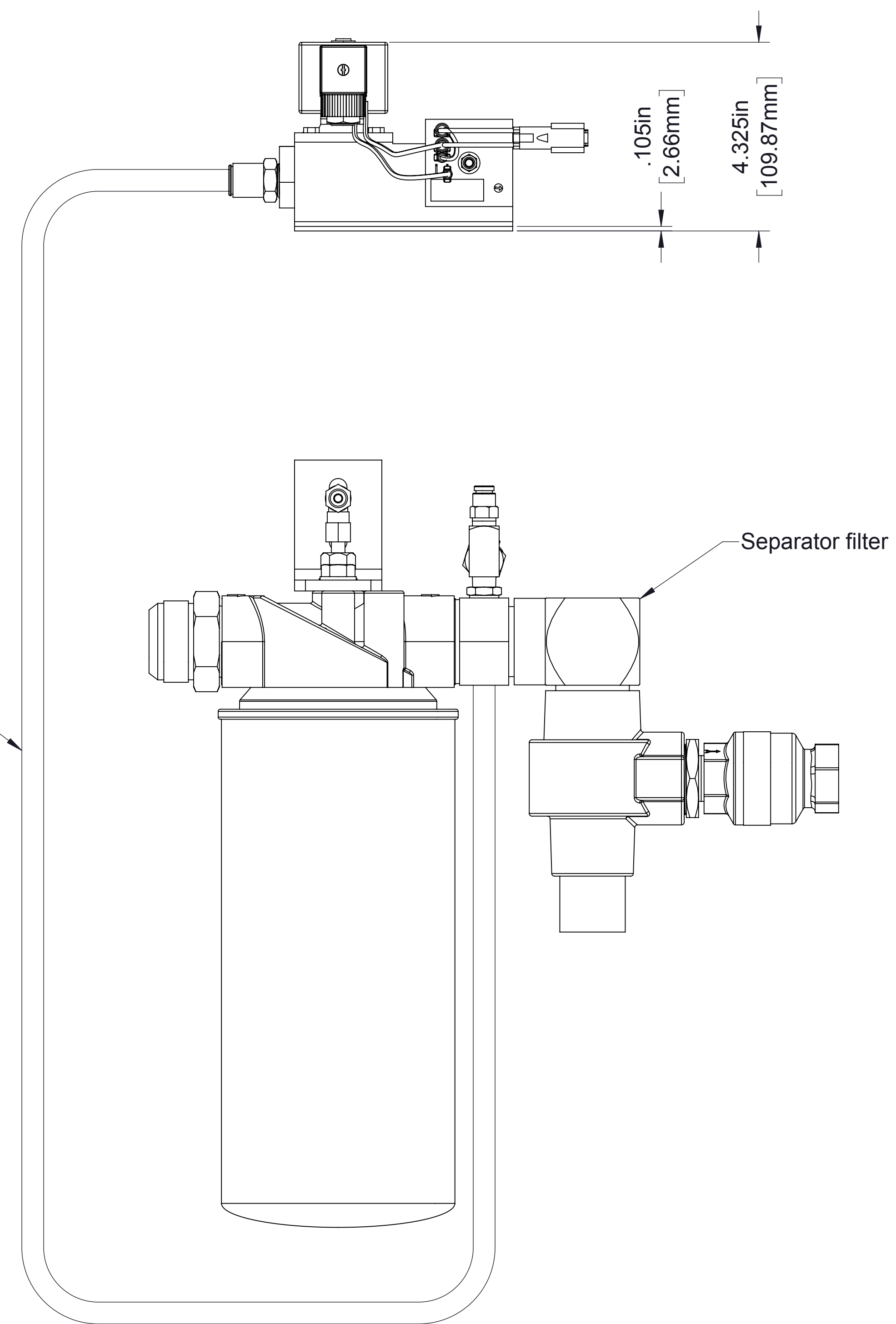


**CAFS Warning**



**Serial Plate**

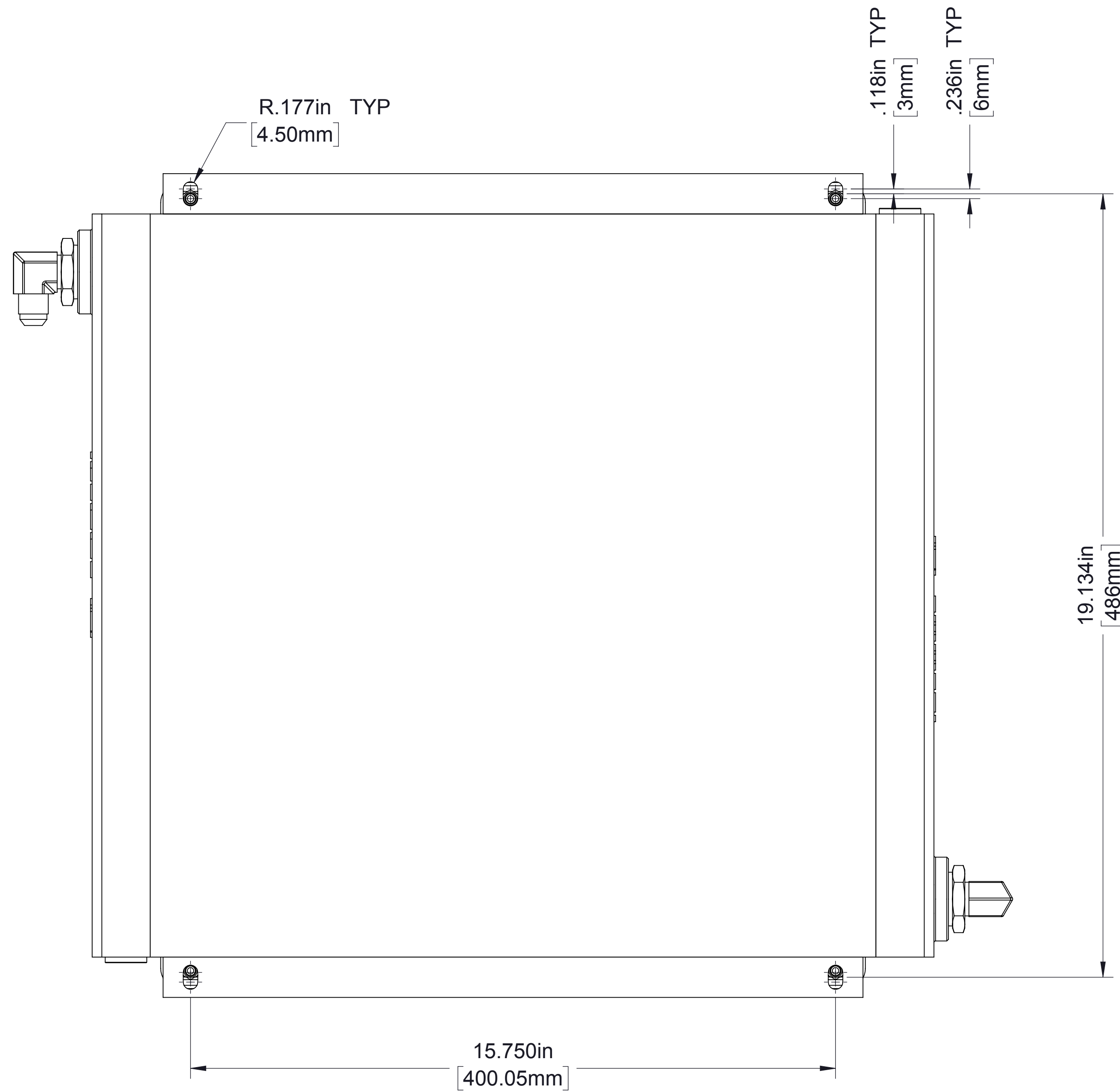
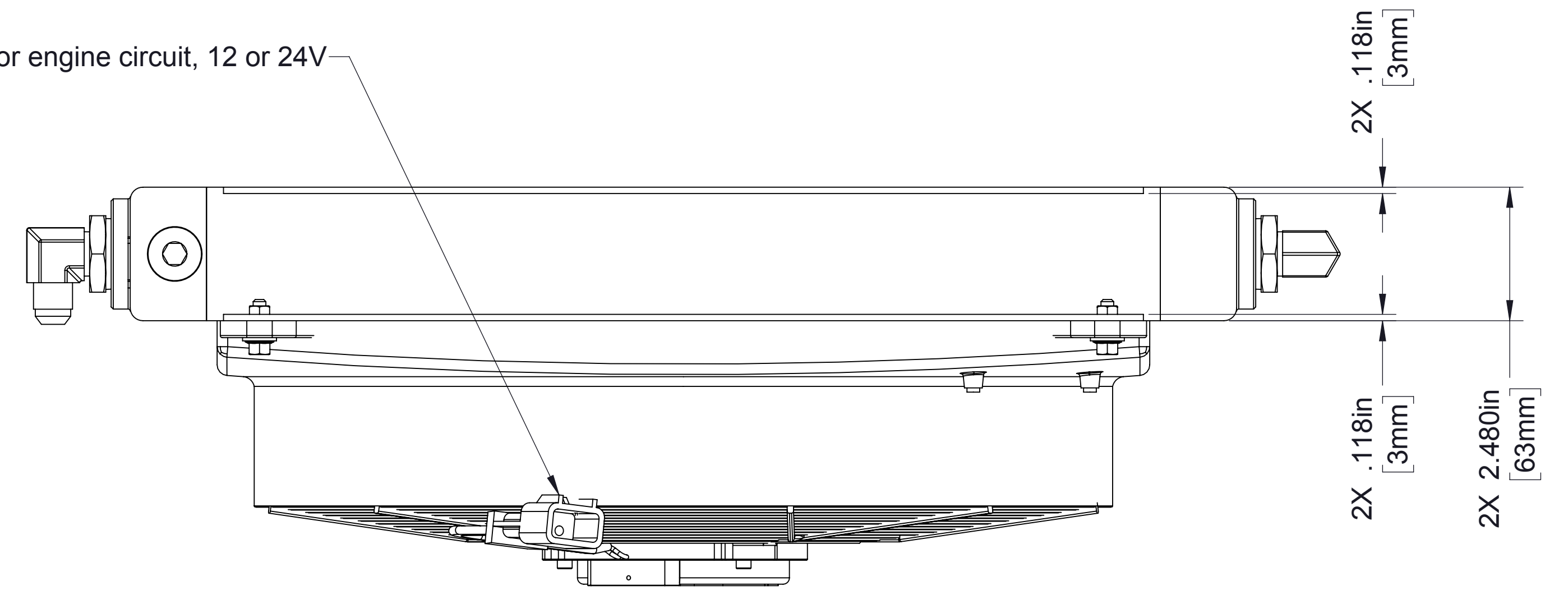
**Panel Plates**



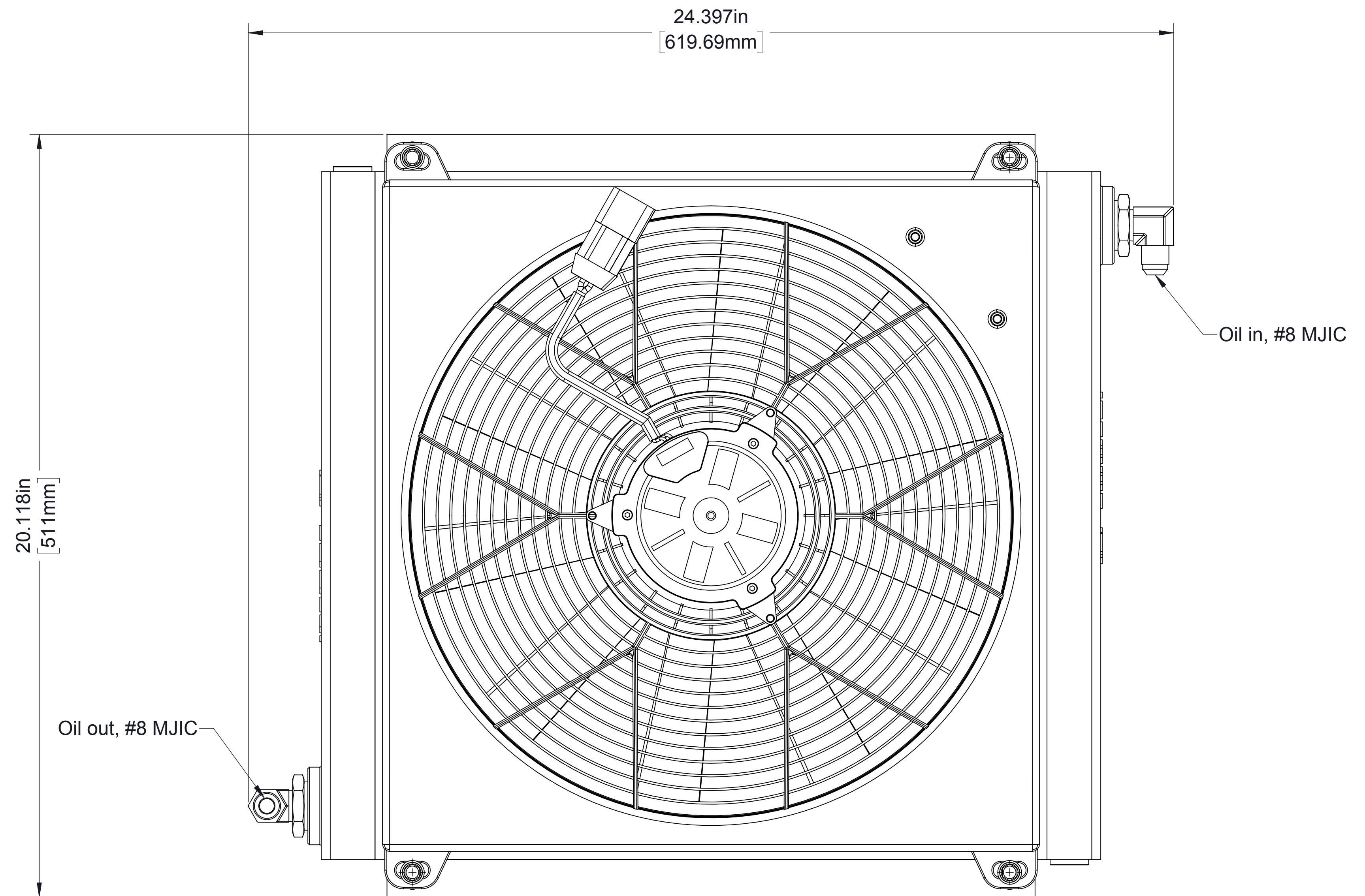
**Sump Vent**

Vents compressor pressure for 10 seconds at startup to prevent engine stalling, order part number 83293-2A (12V) or 83293-2B (24V)

Connects to CAFS compressor engine circuit, 12 or 24V

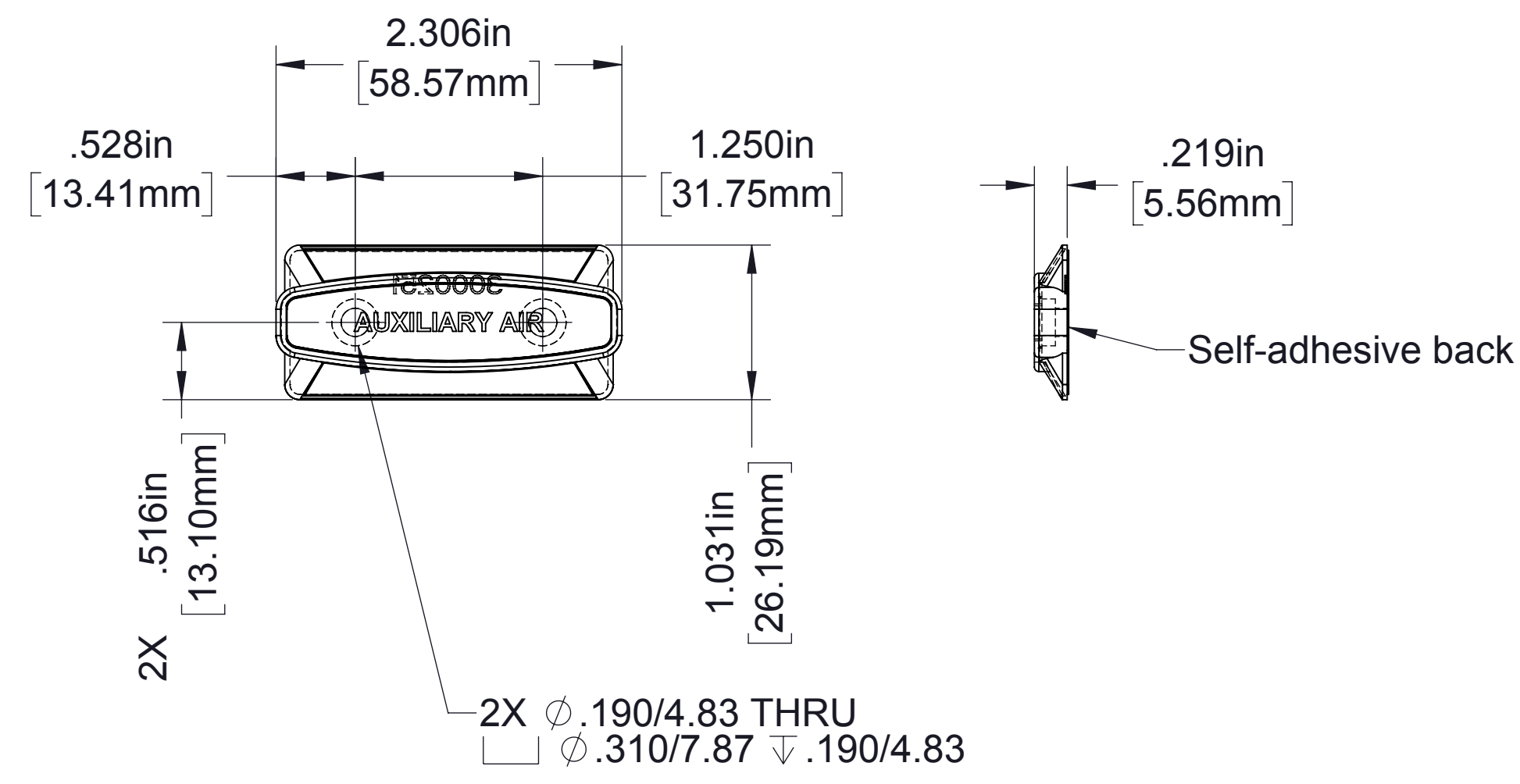


Viewed from back

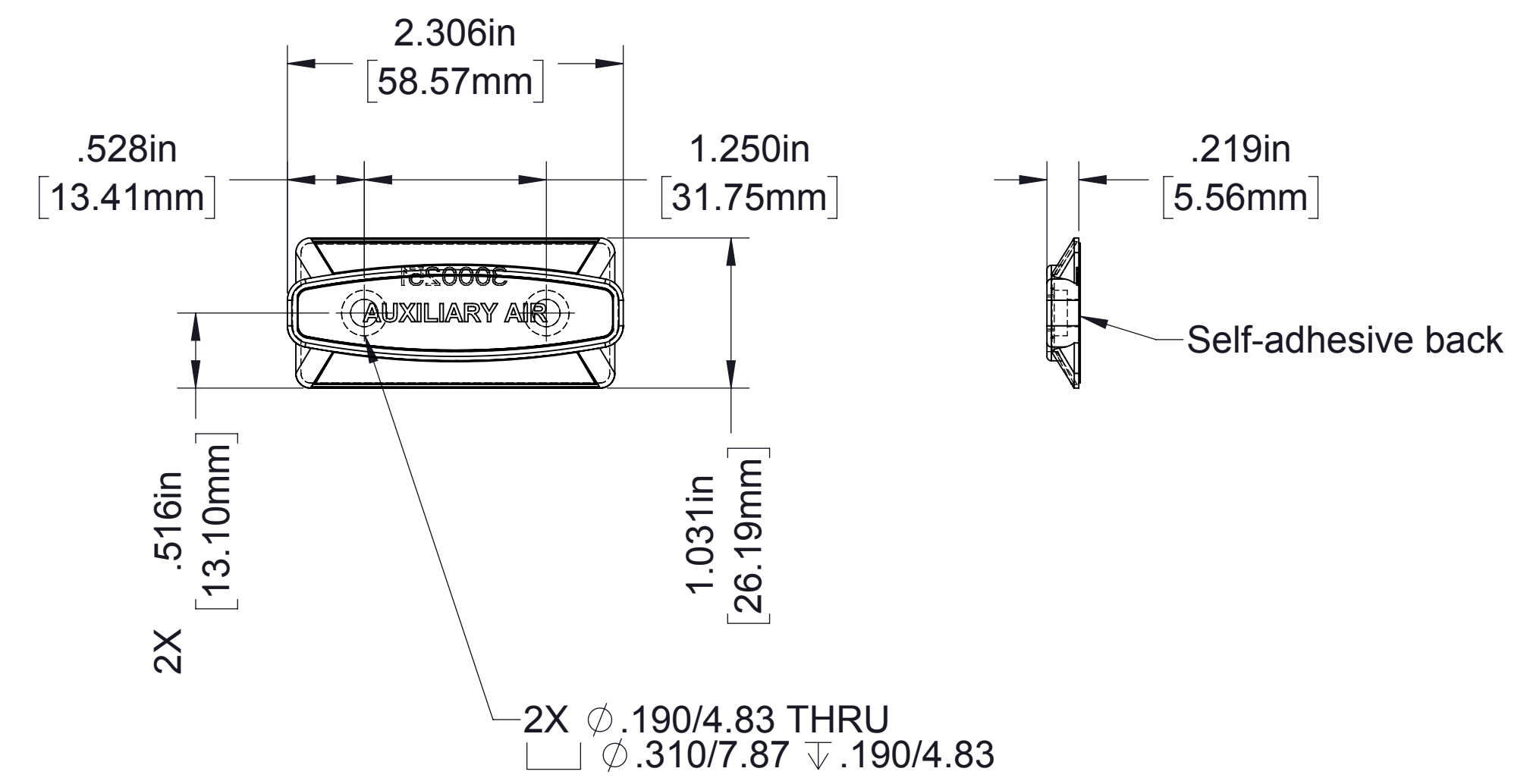


**Optional Air Cooler  
(Electric Fan)**

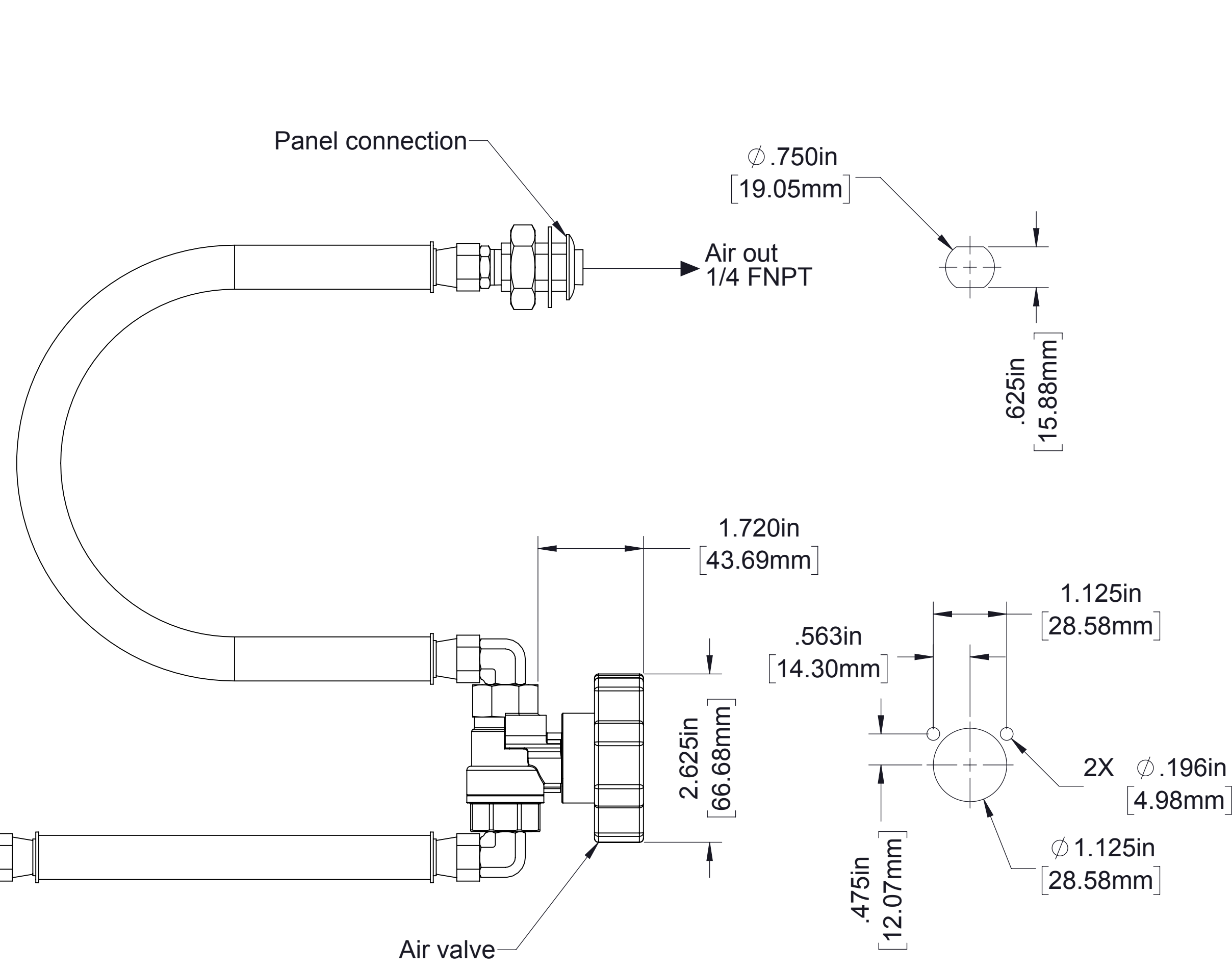
**May be used as secondary cooler in conjunction with oil cooler on page 8. Not available as a stand-alone cooler.**



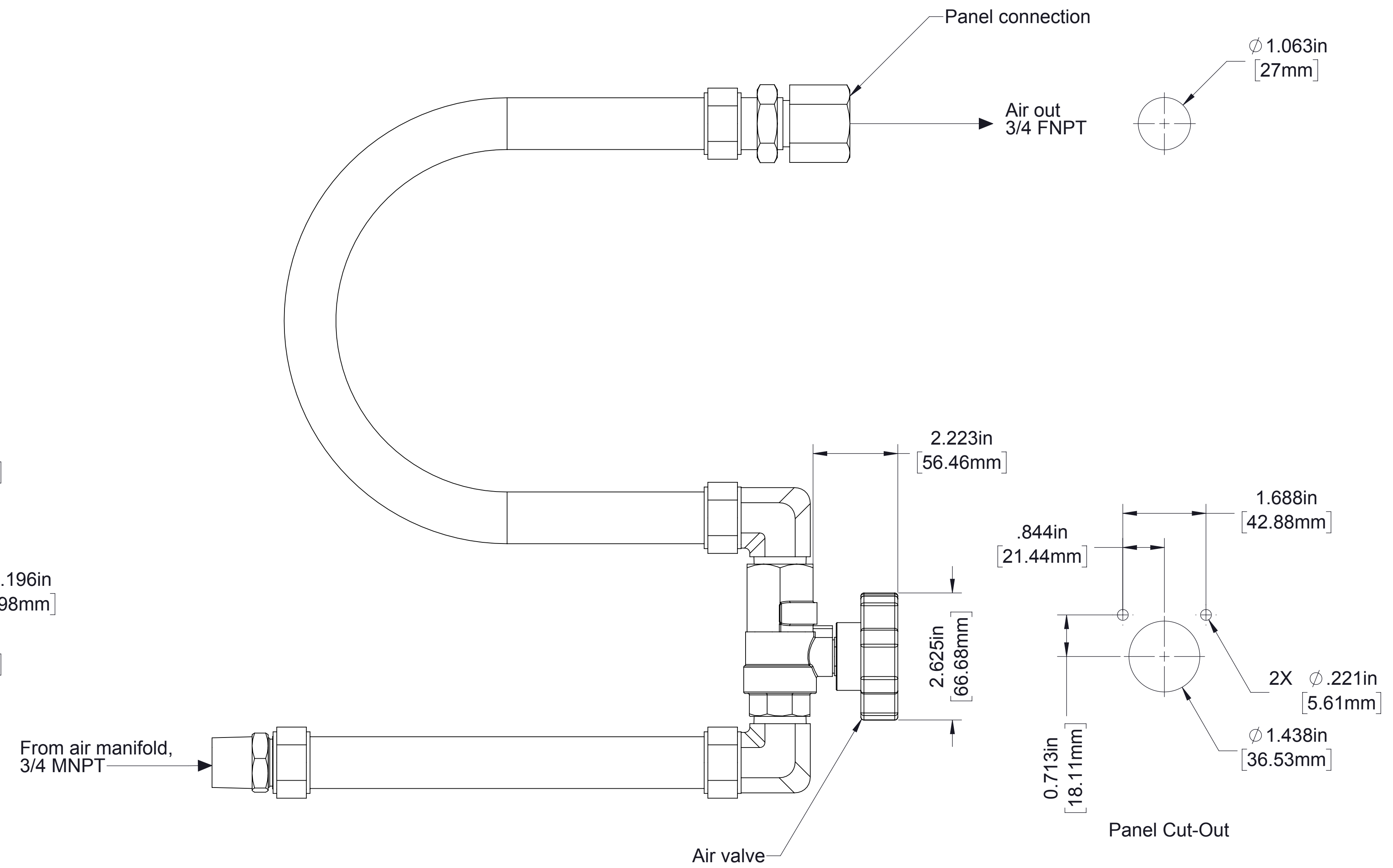
Label



Label

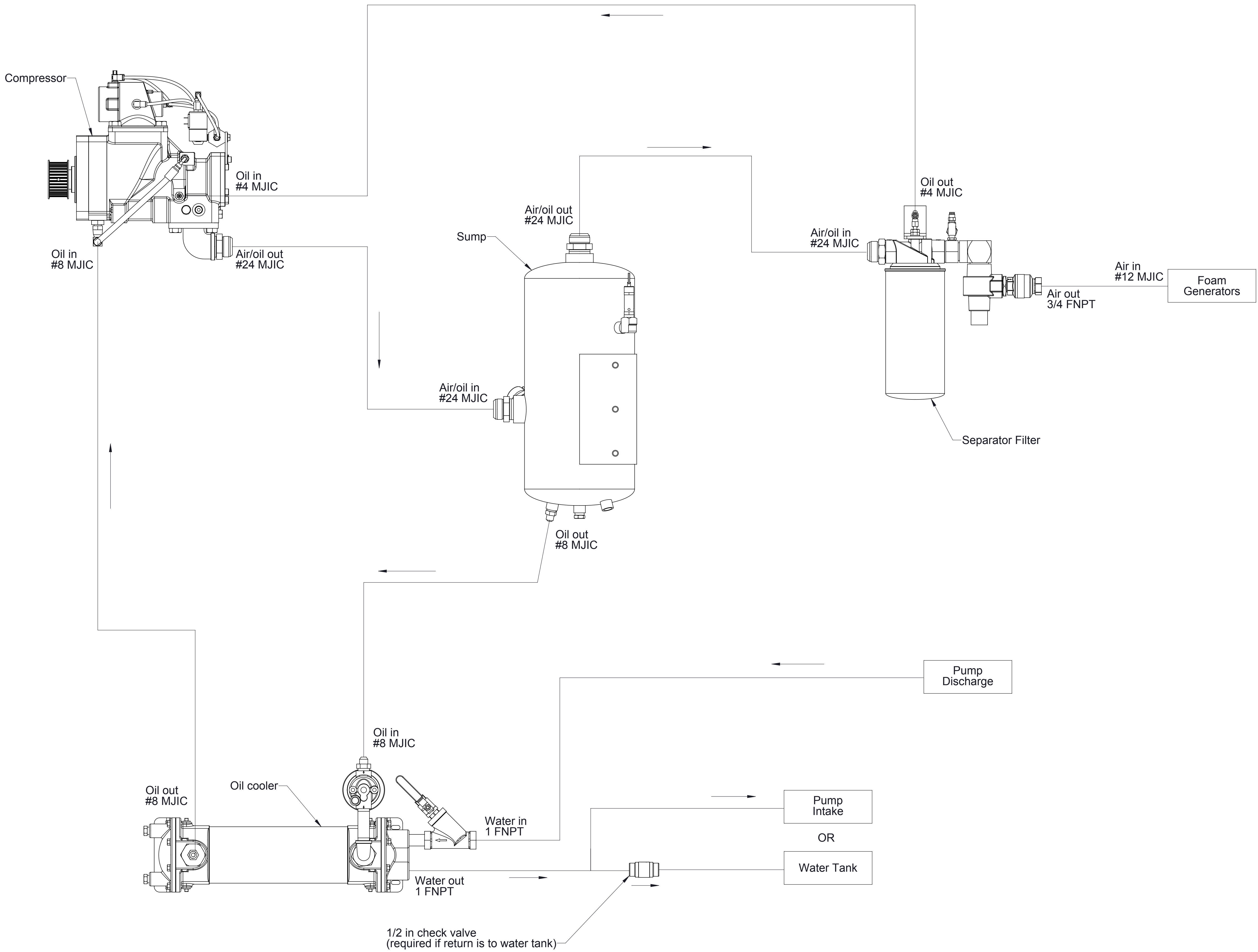


1/4 FNPT Connection  
(Hoses and fittings furnished),  
order part number 83360-3A

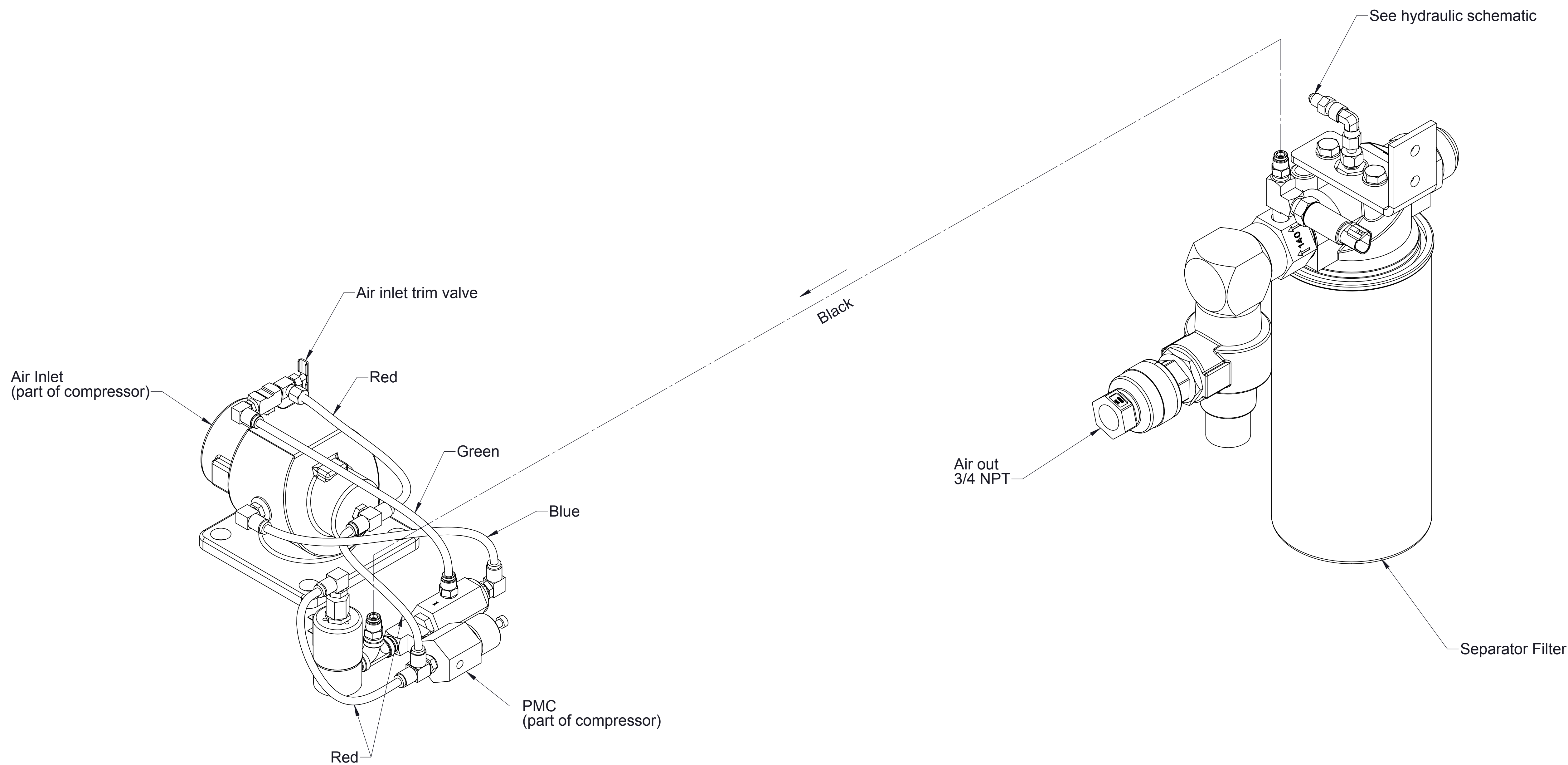


3/4 FNPT Connection  
(Hoses and fittings furnished),  
order part number 83360-3B

Optional Auxiliary Air Connection



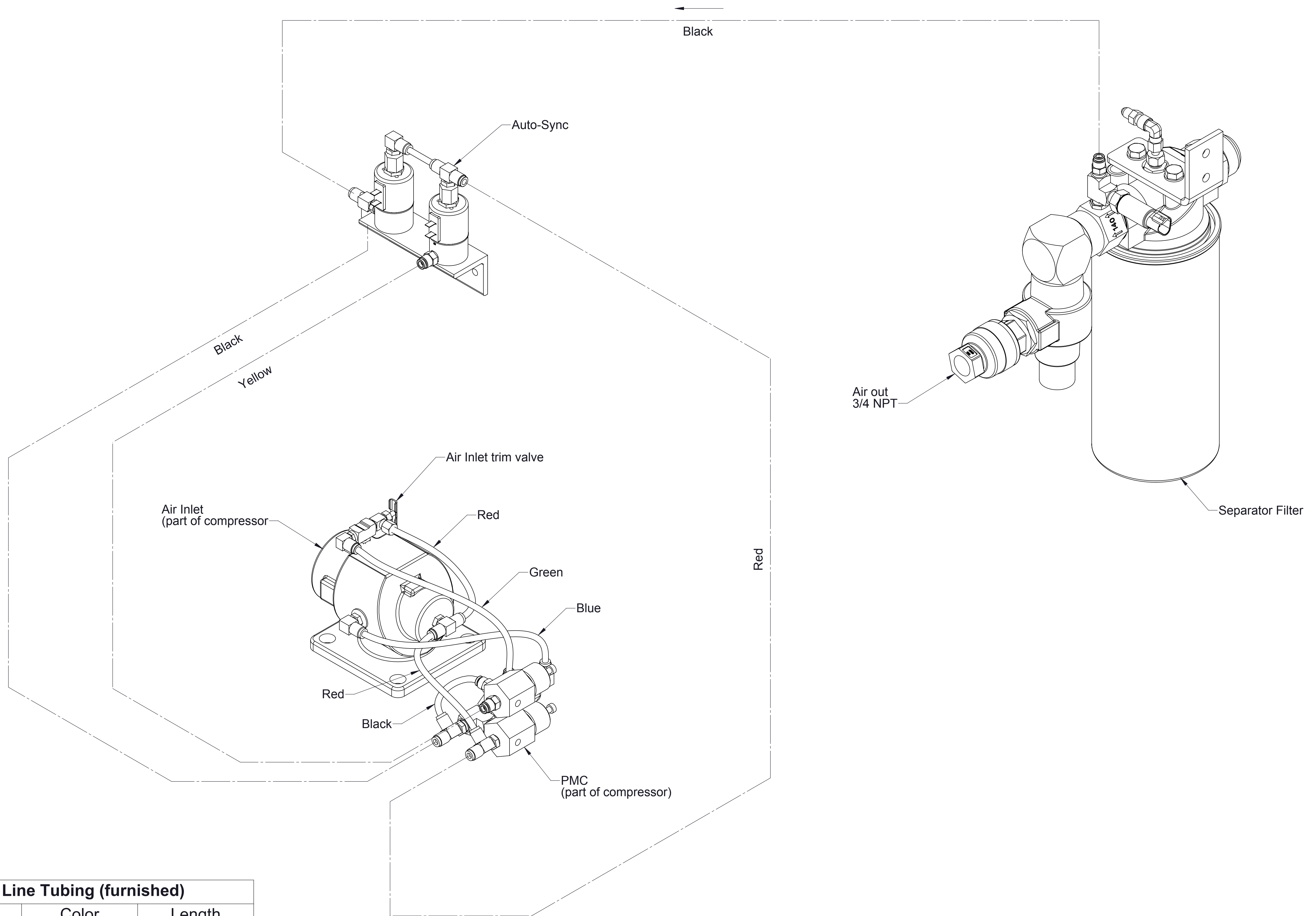
**Hydraulic Schematic**



Air Line Tubing (furnished)		
Size	Color	Length
1/4 in	Black	15 feet

Note: Tubing from air inlet to PMC installed at factory.

----- Installed by OEM



Air Line Tubing (furnished)		
Size	Color	Length
1/4 in	Black	15 feet
	Red	10 feet
	Yellow	10 feet

Note: Tubing from air inlet to PMC installed at factory.

----- Installed by OEM

**Air Circuit Schematic**  
with High Rise option