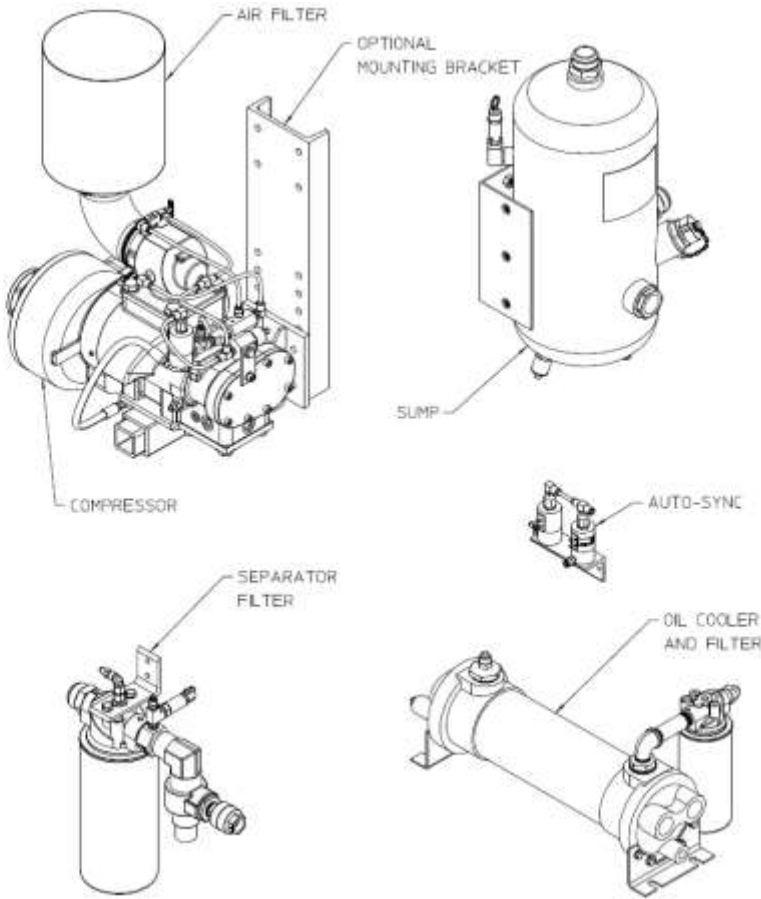
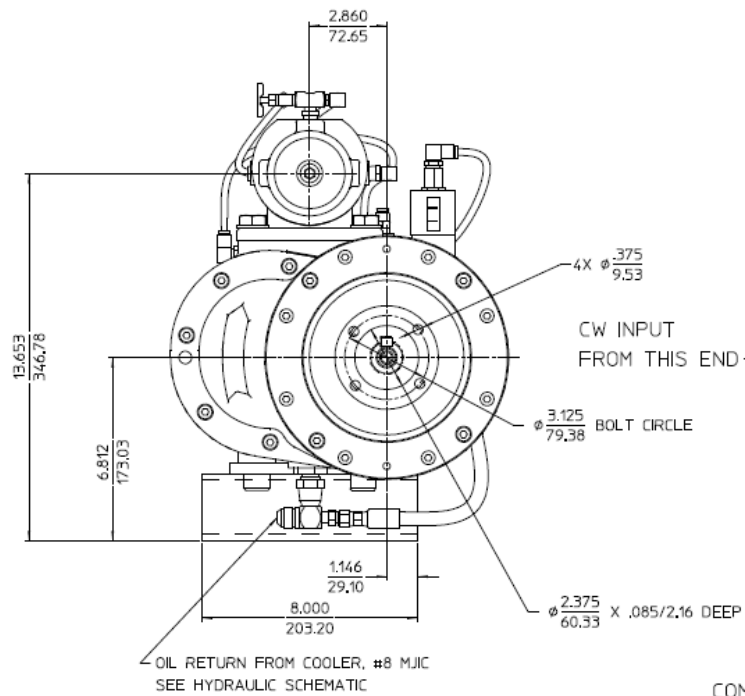


**PTO Compressor Kit Dimensional Drawings
Model 150-OS One-Step CAF System
Model 150-ECL Eclipse GEN 2.0 CAF System**

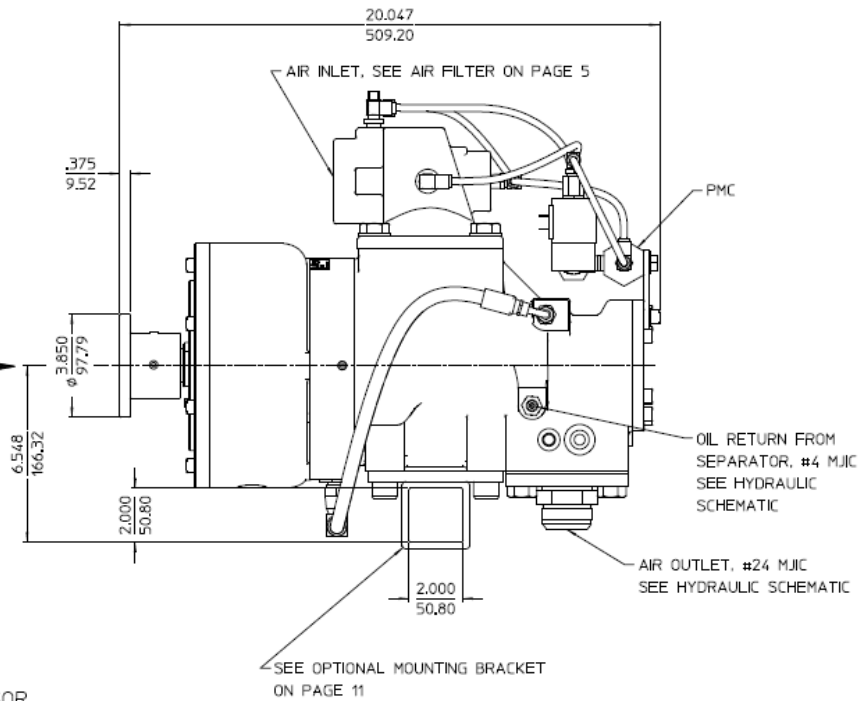
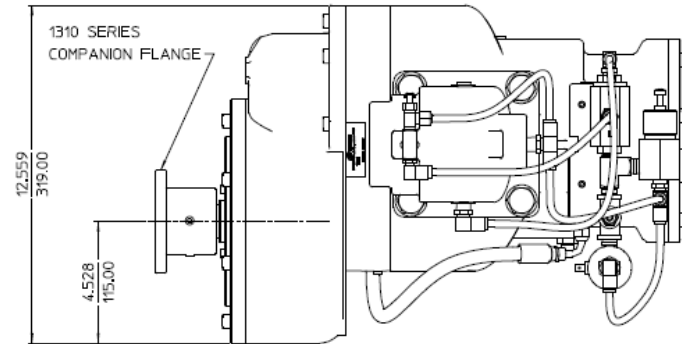


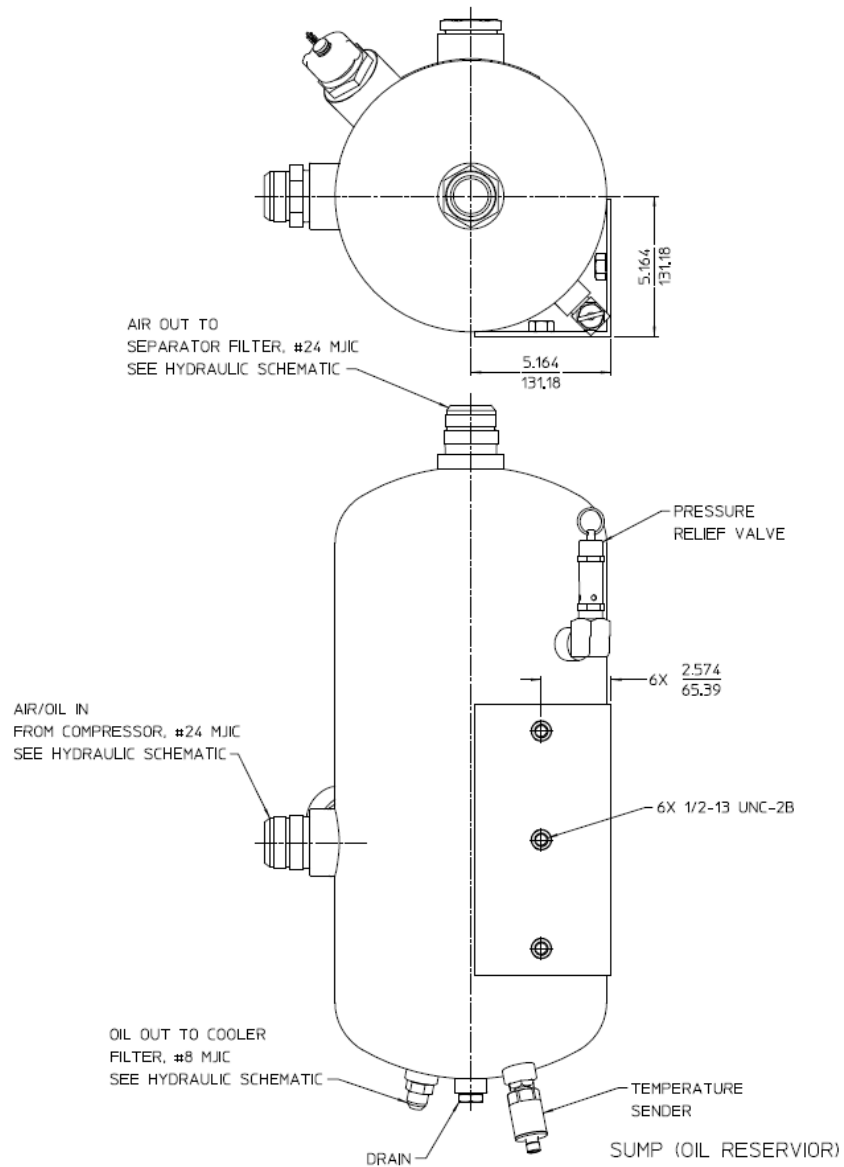
Standard Components:	Page
Compressor	2
Sump (Oil Reservoir)	3
Oil Cooler and Filter	4
Air Filter	5
Separator Filter	5
Auto-Sync (Used with High Rise Option Only)	6
Panel Plates.....	6
Foam Pumps:	
Models Aquis 3.0 or Aquis 6.0:.....	See F-1031-2447
Foam Generators (CAF Discharge):	
Model 150-OS (One-Step)	See DPL83527
Model 150-ECL (Eclipse GEN 2.0)	See DPL83637
Optional Components:	
Auxiliary Air Connection.....	7
Sump Vent	8
Mounting Brackets.....	9
Air Oil Cooler (Electric Fan)	10
Oil Inject Check Valve.....	11
Hose and Fitting Kit.....	12
Tee Sump (Oil Reservoir)	13
Schematics:	
Hydraulic	14
Air Circuit:	
Without High Rise Option.....	15
With High Rise Option	16
Electrical (See Foam Generators):	
Model 150-OS (One-Step)	See DPL83527
Model 150-ECL (Eclipse GEN 2.0)	See DPL83637

ALL DIMENSIONS SHOWN AS INCH/MILLIMETER
 INCH
 (MILLIMETER)

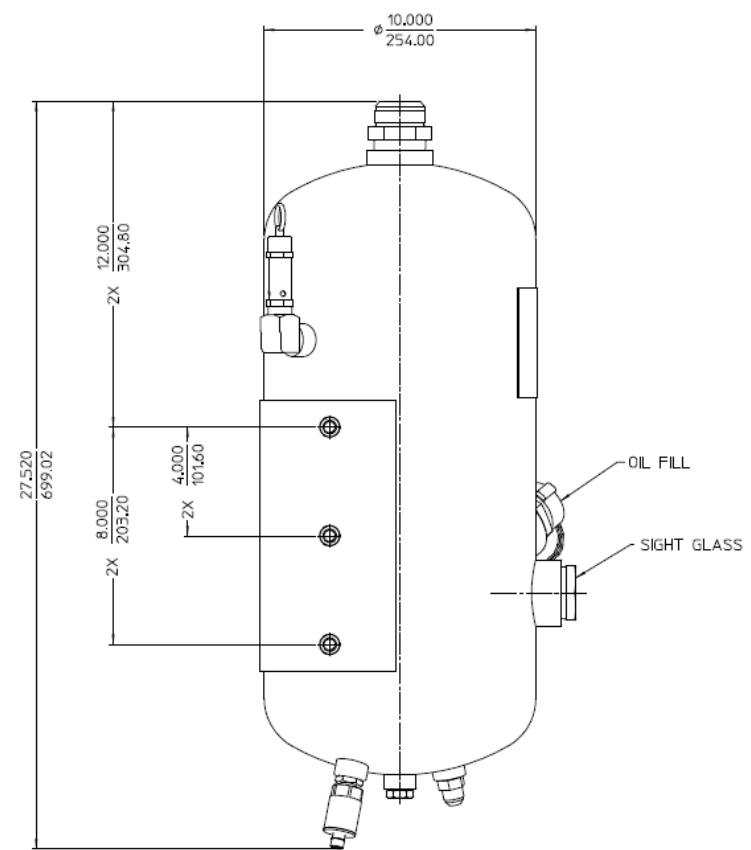


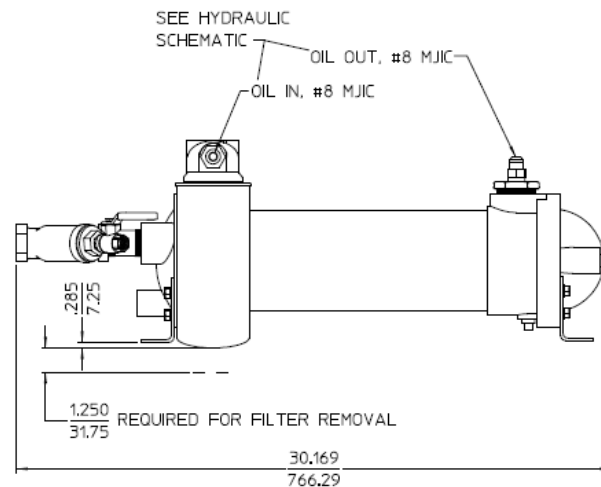
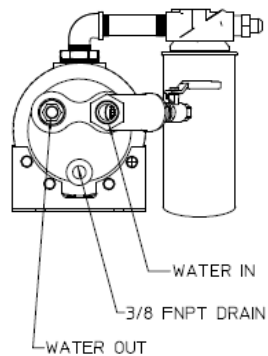
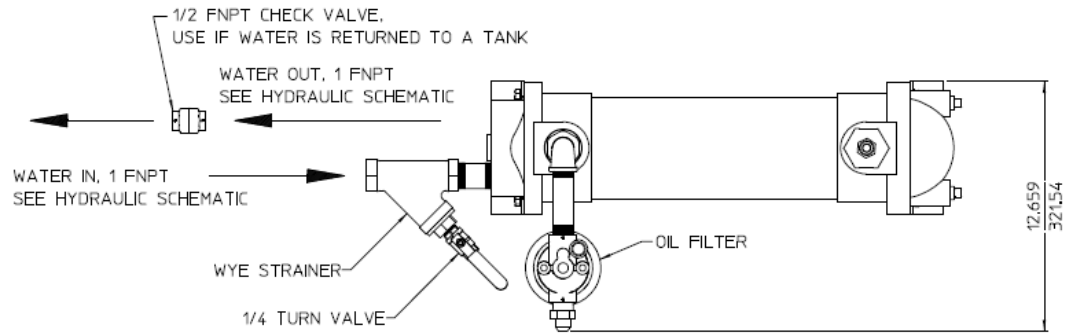
COMPRESSOR



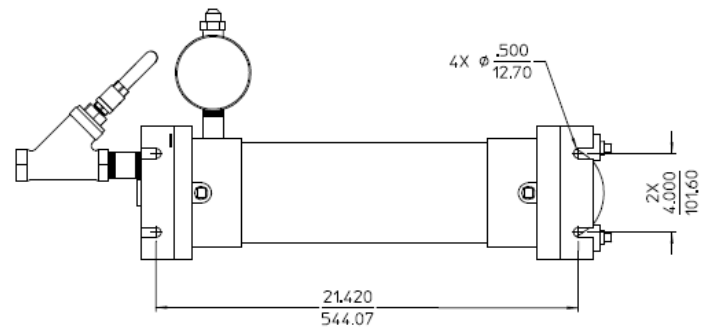


ALL DIMENSIONS SHOWN AS INCH/MILLIMETER
 (INCH
 MILLIMETER)

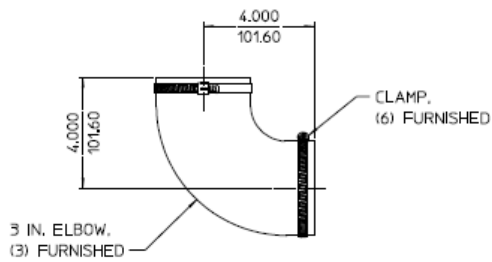
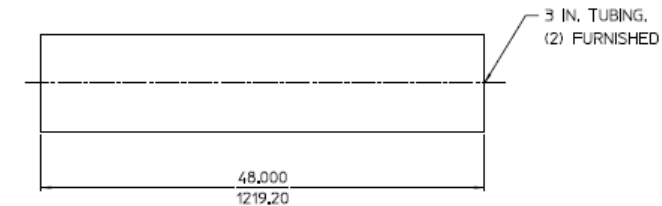
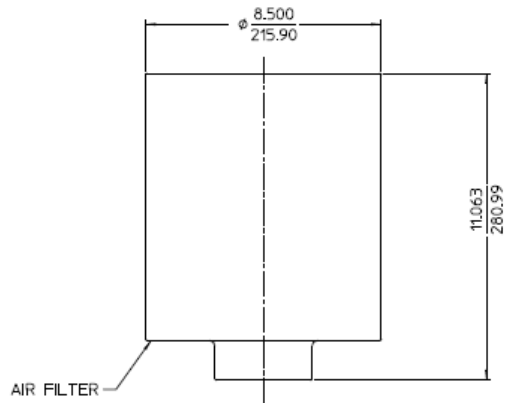




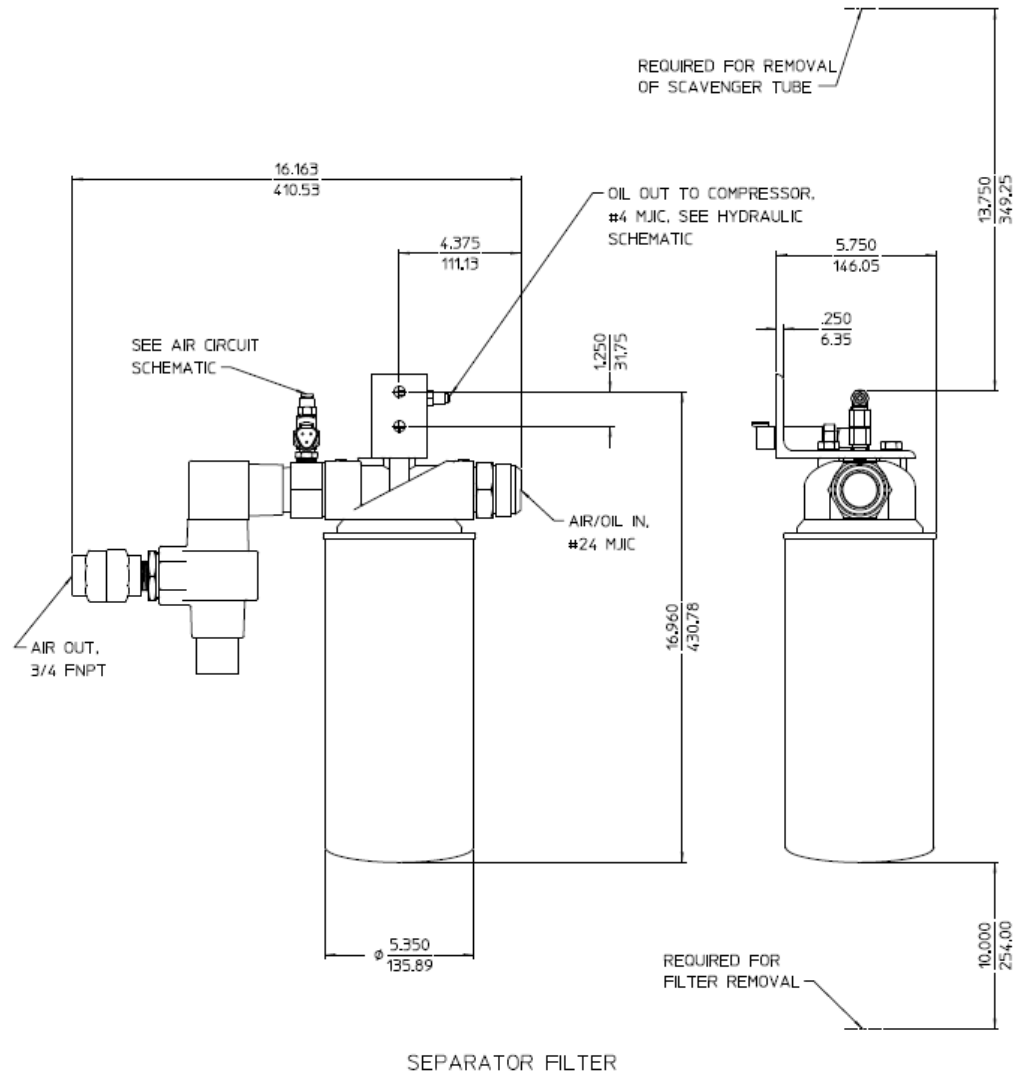
ALL DIMENSIONS SHOWN AS INCH/MILLIMETER
($\frac{\text{INCH}}{\text{MILLIMETER}}$)



OIL COOLER & FILTER



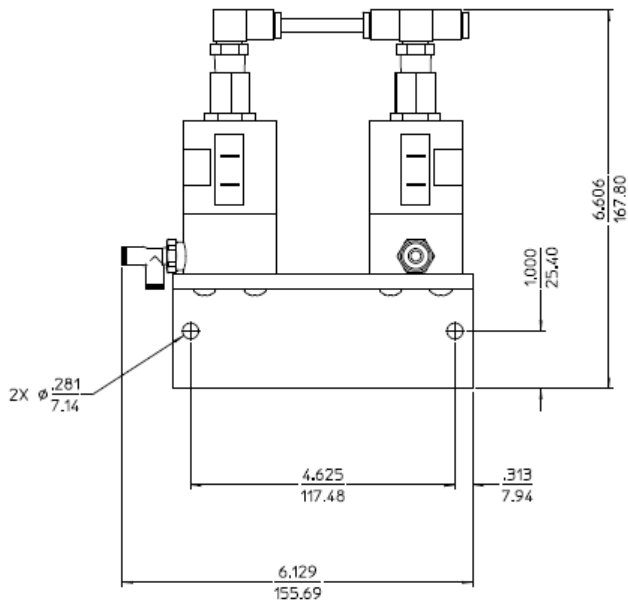
AIR FILTER



SEPARATOR FILTER

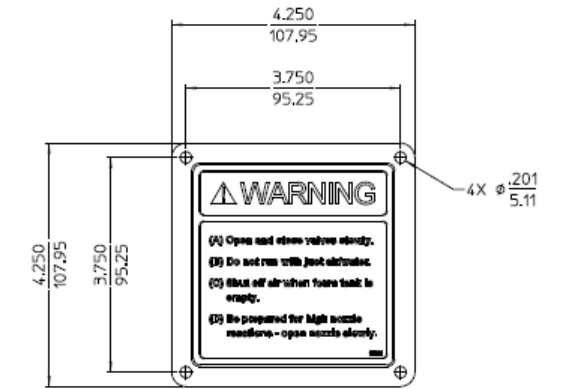
ALL DIMENSIONS SHOWN AS INCH/MILLIMETER
(INCH / MILLIMETER)

ALL DIMENSIONS SHOWN AS INCH/MILLIMETER
(INCH/MILLIMETER)

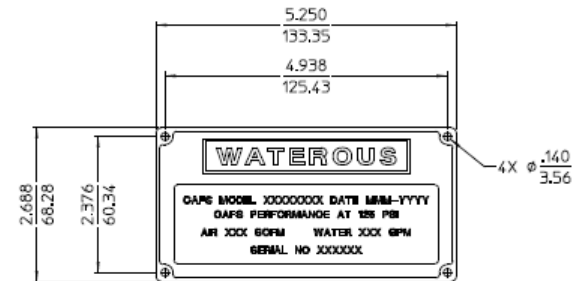


FOR AIR CONNECTIONS SEE AIR CIRCUIT SCHEMATIC WITH HIGH RISE OPTION.

AUTO-SYNC
USED WITH HIGH RISE OPTION ONLY

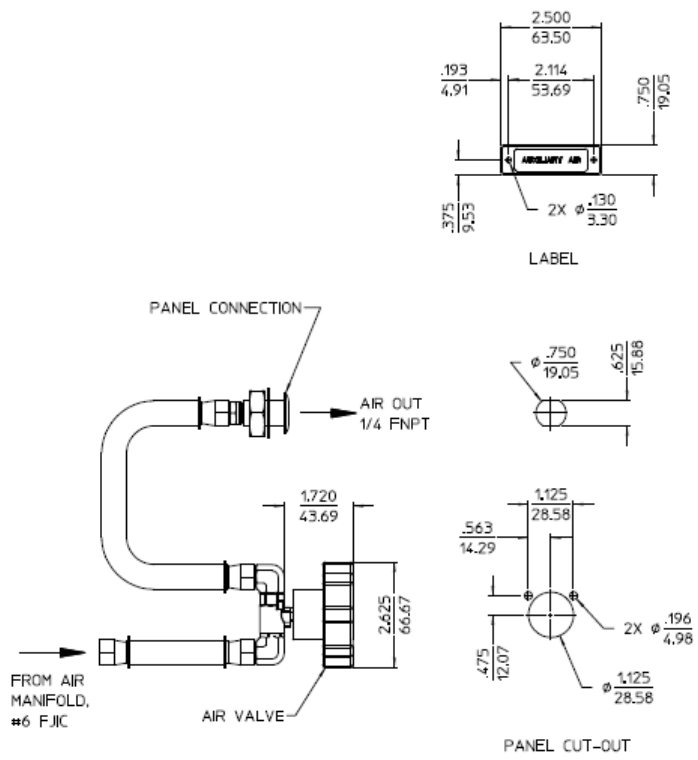


CAFS WARNING



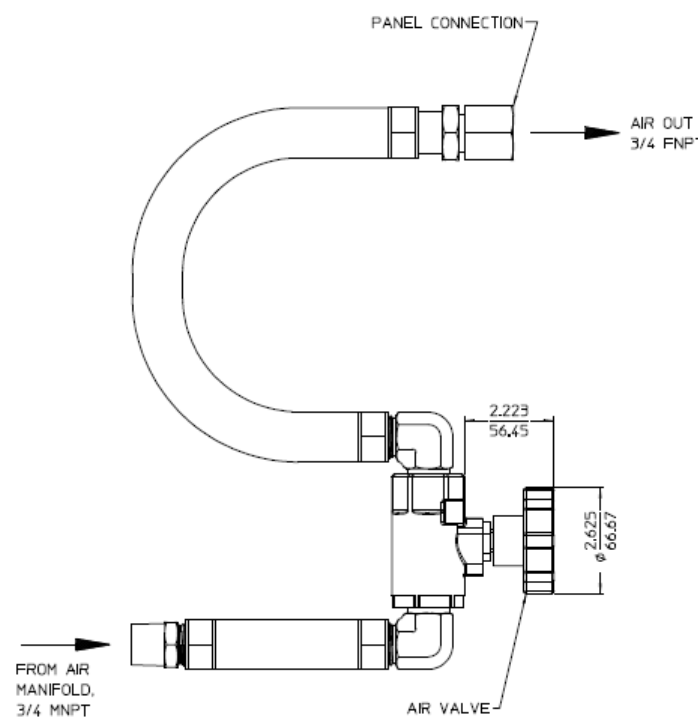
SERIAL PLATE

PANEL PLATES



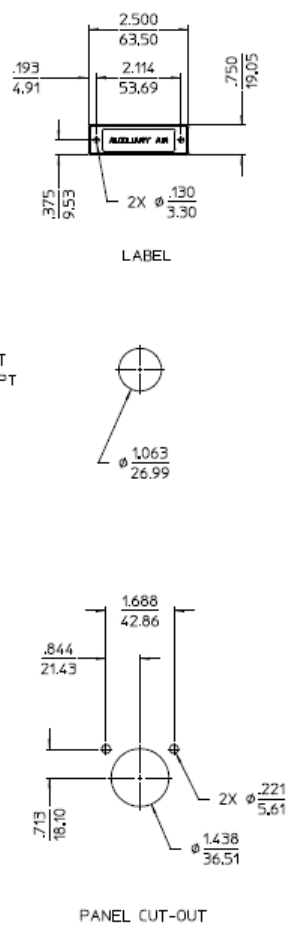
1/4 FNPT CONNECTION
 (HOSES AND FITTINGS FURNISHED)
 ORDER PART NO. 83360-3A

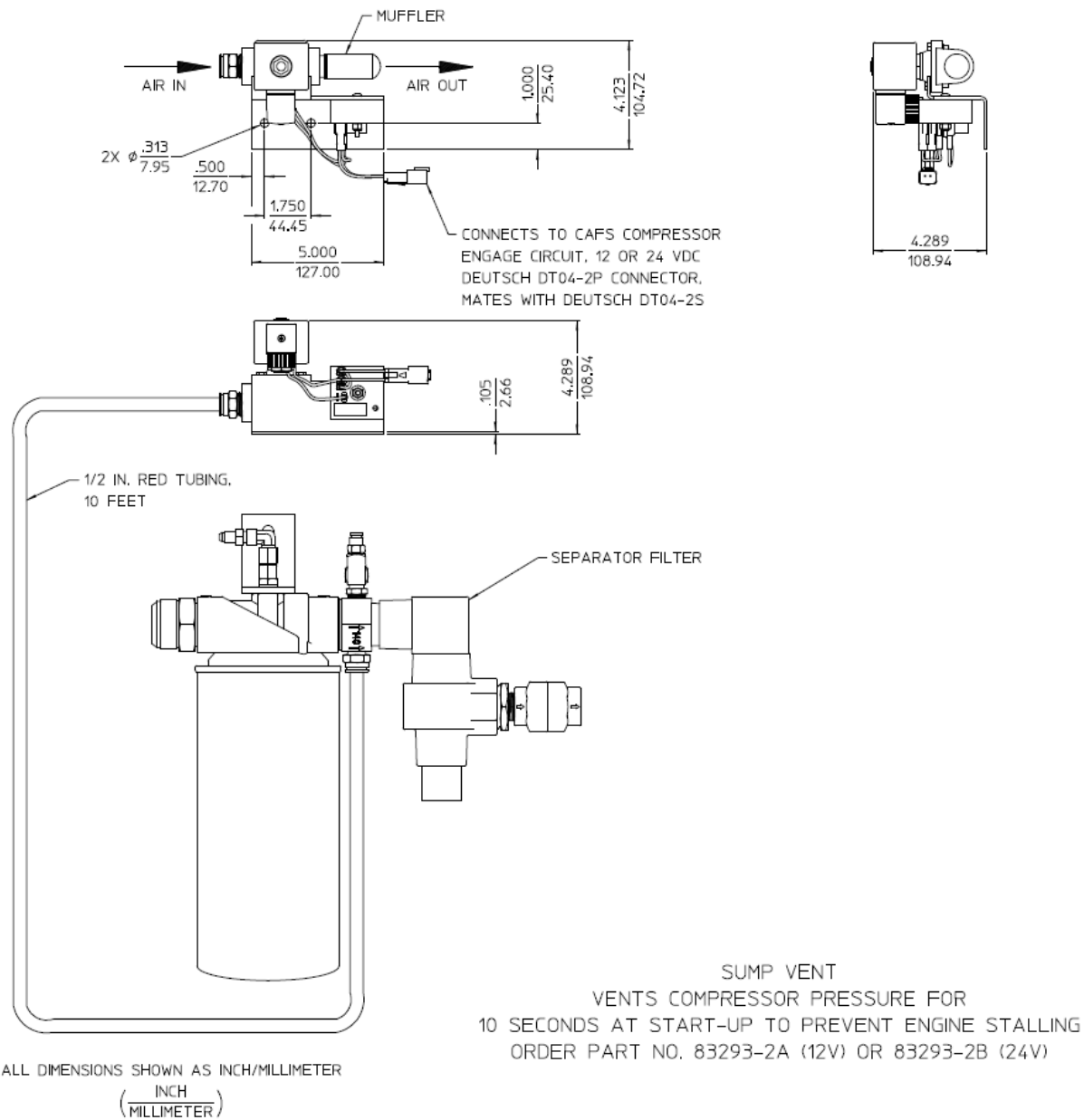
ALL DIMENSIONS SHOWN AS INCH/MILLIMETER
 (INCH
 MILLIMETER)

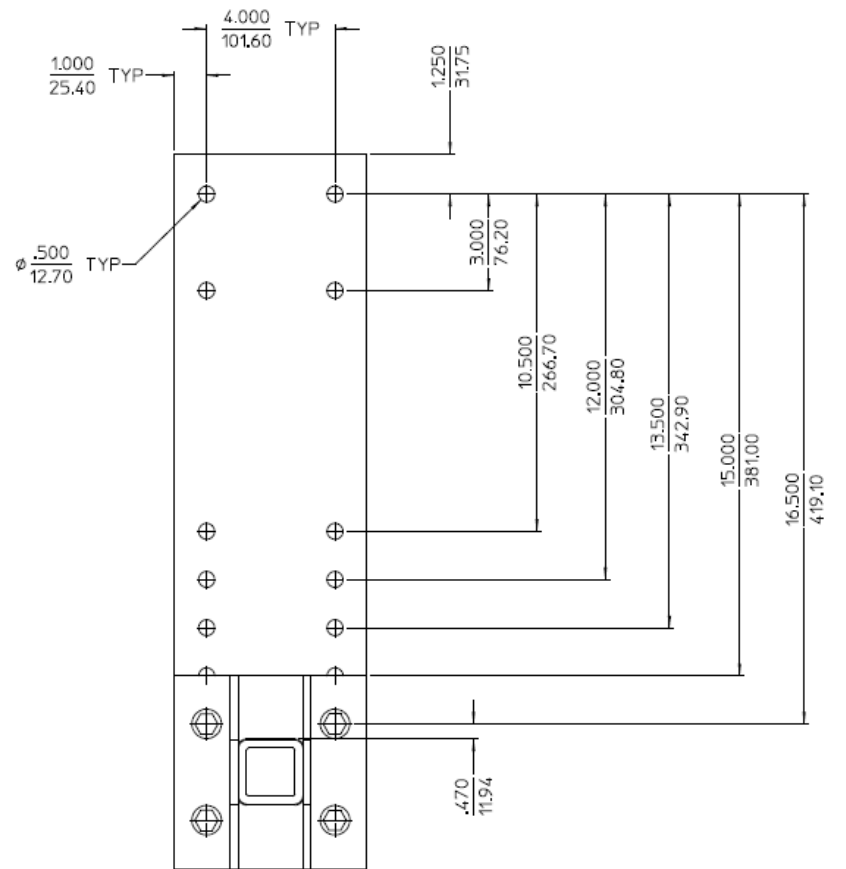
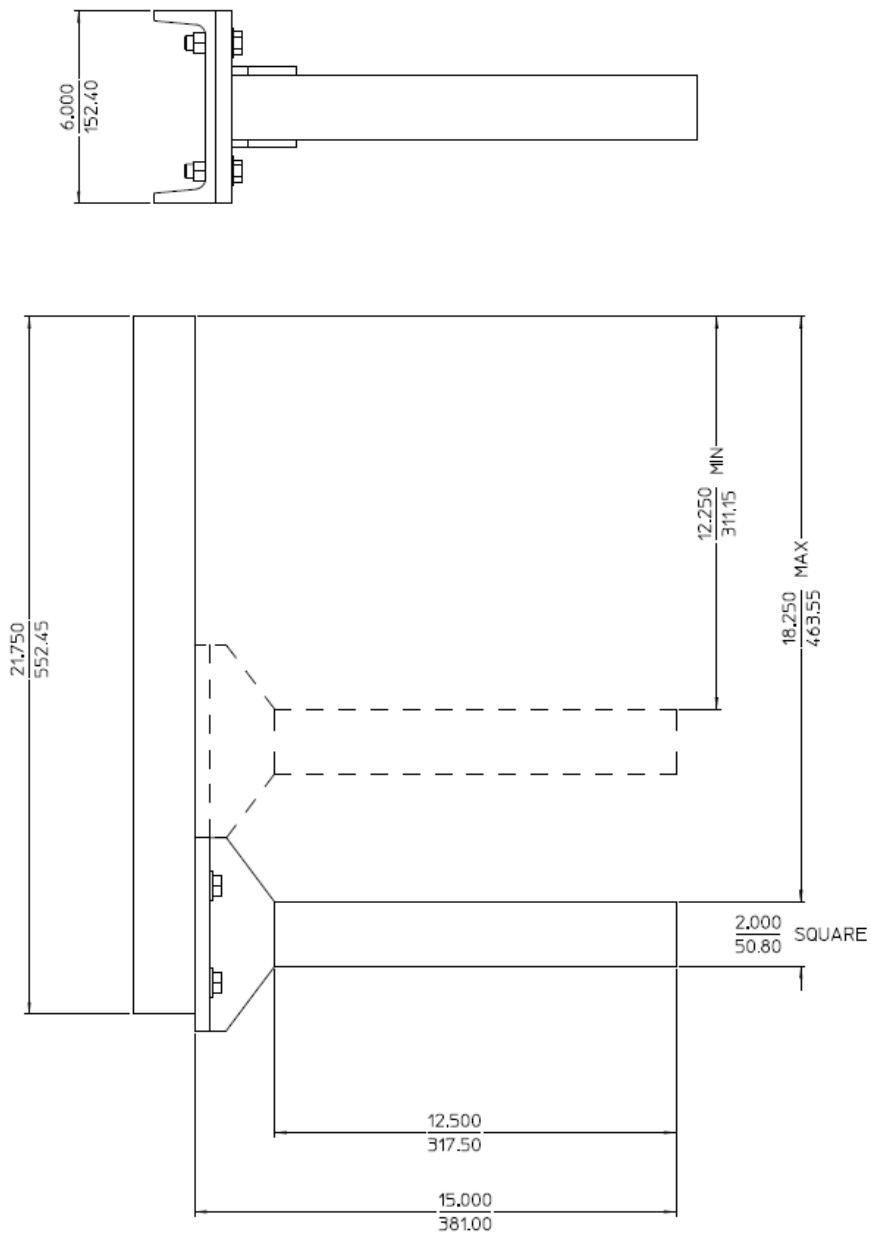


3/4 NPT CONNECTION
 (HOSES AND FITTINGS FURNISHED)
 ORDER PART NO. 83360-3B

OPTIONAL AUXILIARY CONNECTION

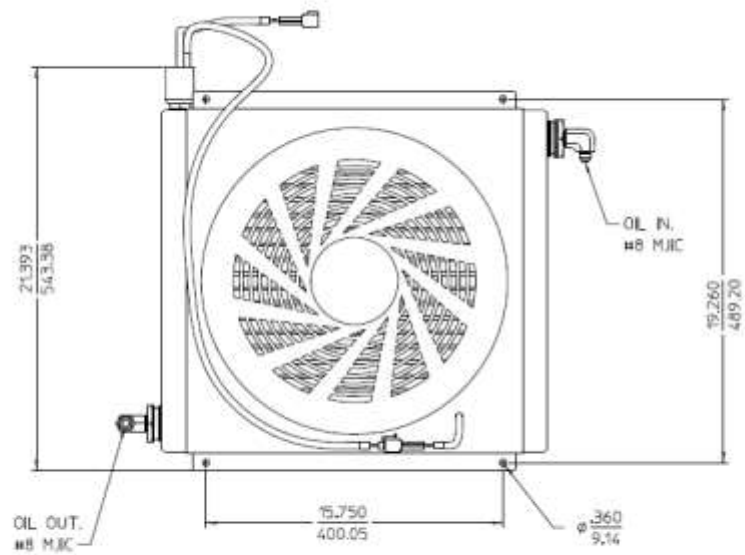
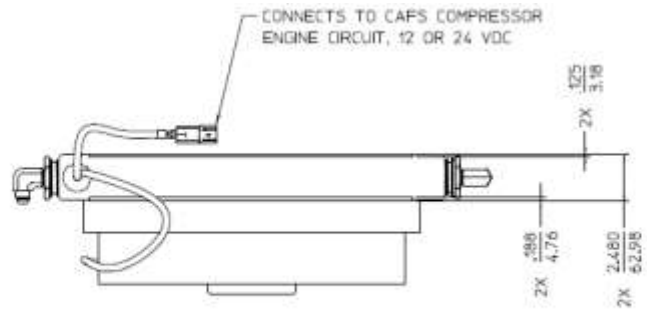






ALL DIMENSIONS SHOWN AS INCH/MILLIMETER
 (INCH)
 (MILLIMETER)

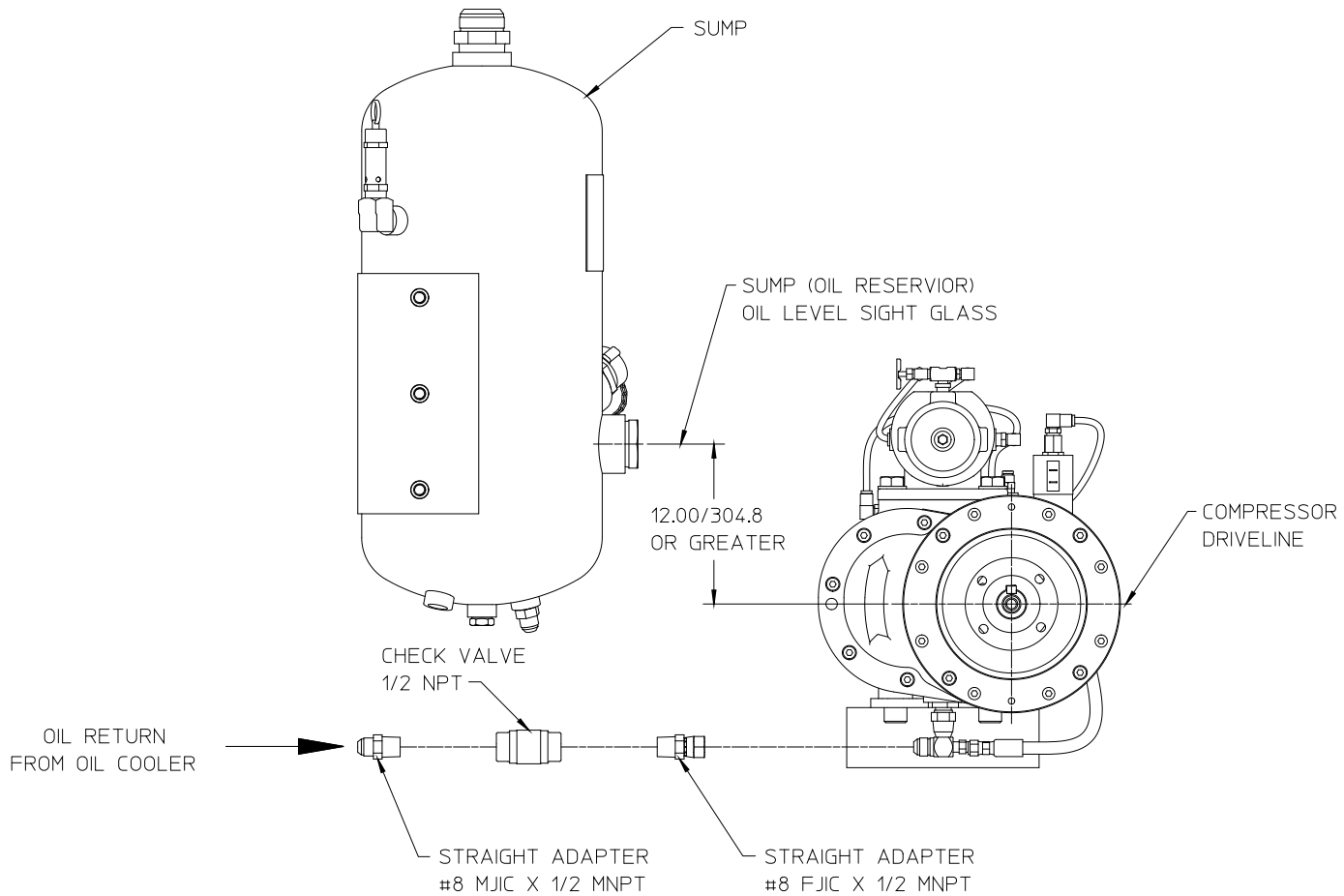
OPTIONAL MOUNTING BRACKETS



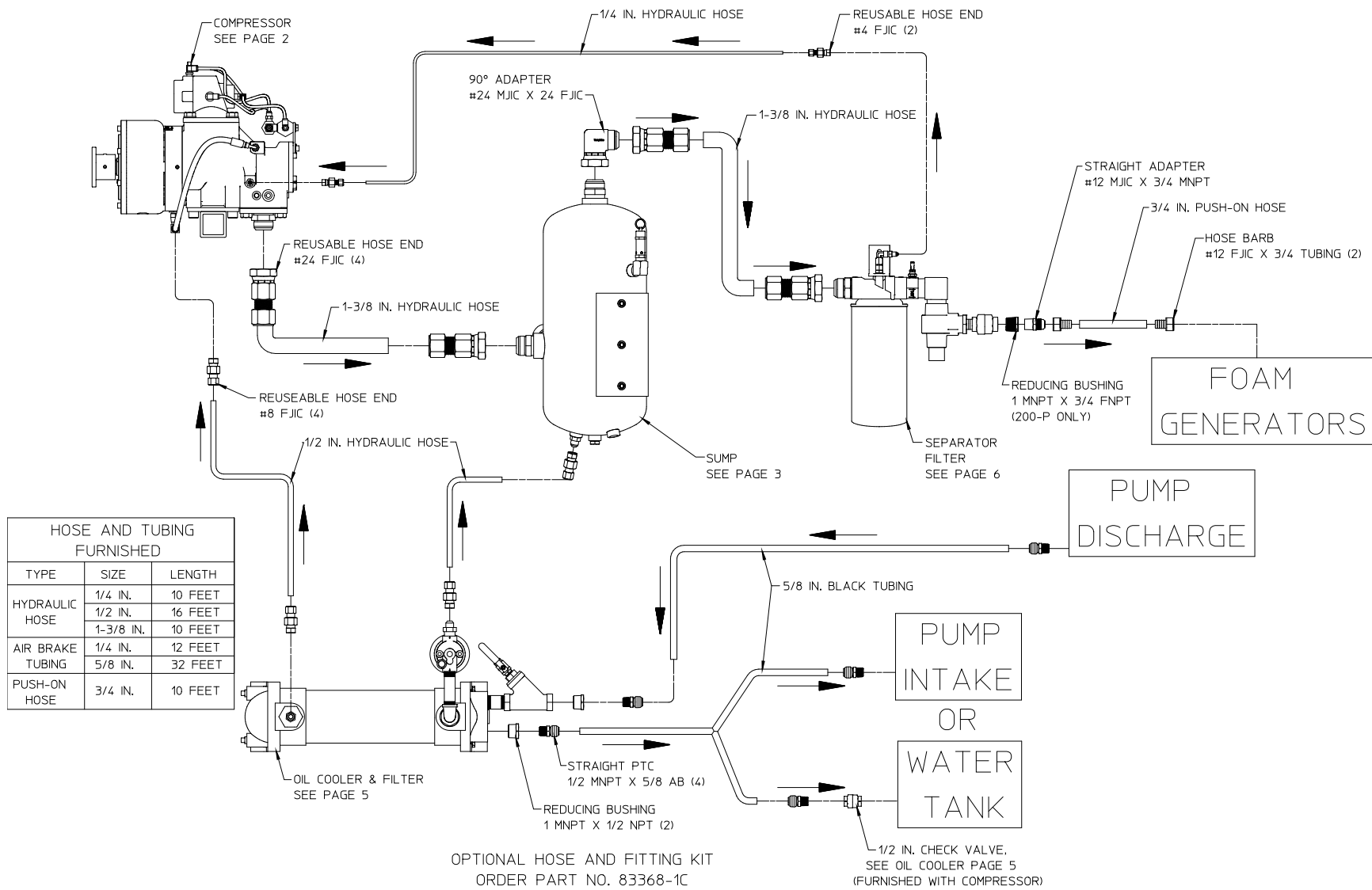
OPTIONAL AIR OIL COOLER
(ELECTRIC FAN)

MAY BE USED AS SECONDARY COOLER IN CONJUNCTION WITH
OIL COOLER ON PAGE 4.
NOT AVAILABLE AS A STAND-ALONE COOLER

ALL DIMENSIONS SHOWN AS INCH/MILLIMETER.
(INCH)
(MILLIMETER)

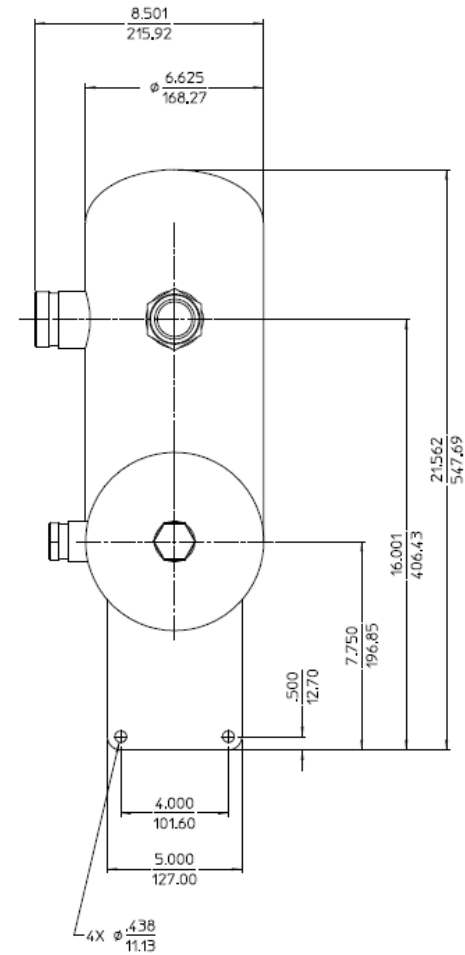
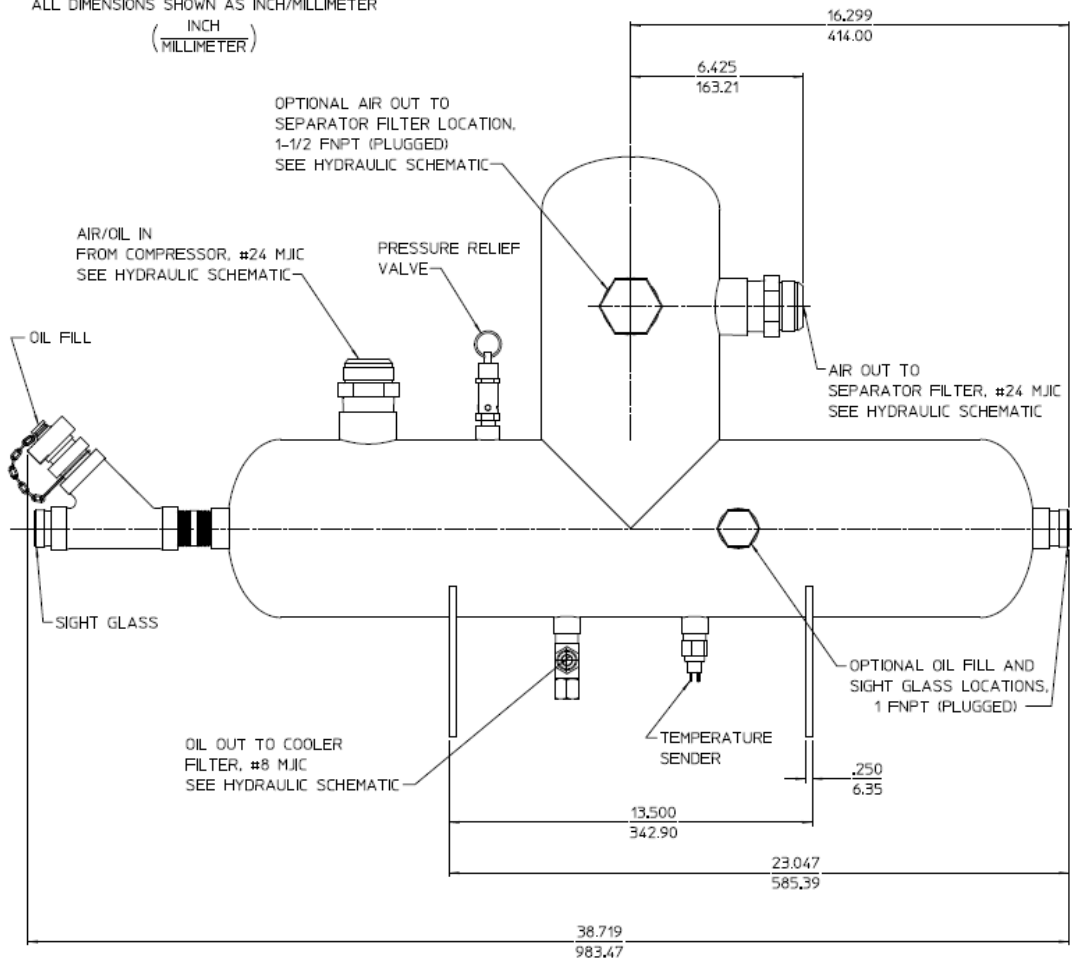


OPTIONAL OIL INJECT CHECK VALVE
REQUIRED WHEN SUMP (OIL RESERVIOR) OIL LEVEL IS
12 IN./304.8mm OR MORE ABOVE COMPRESSOR DRIVELINE
(ORDER PART NO. 83368-2B)

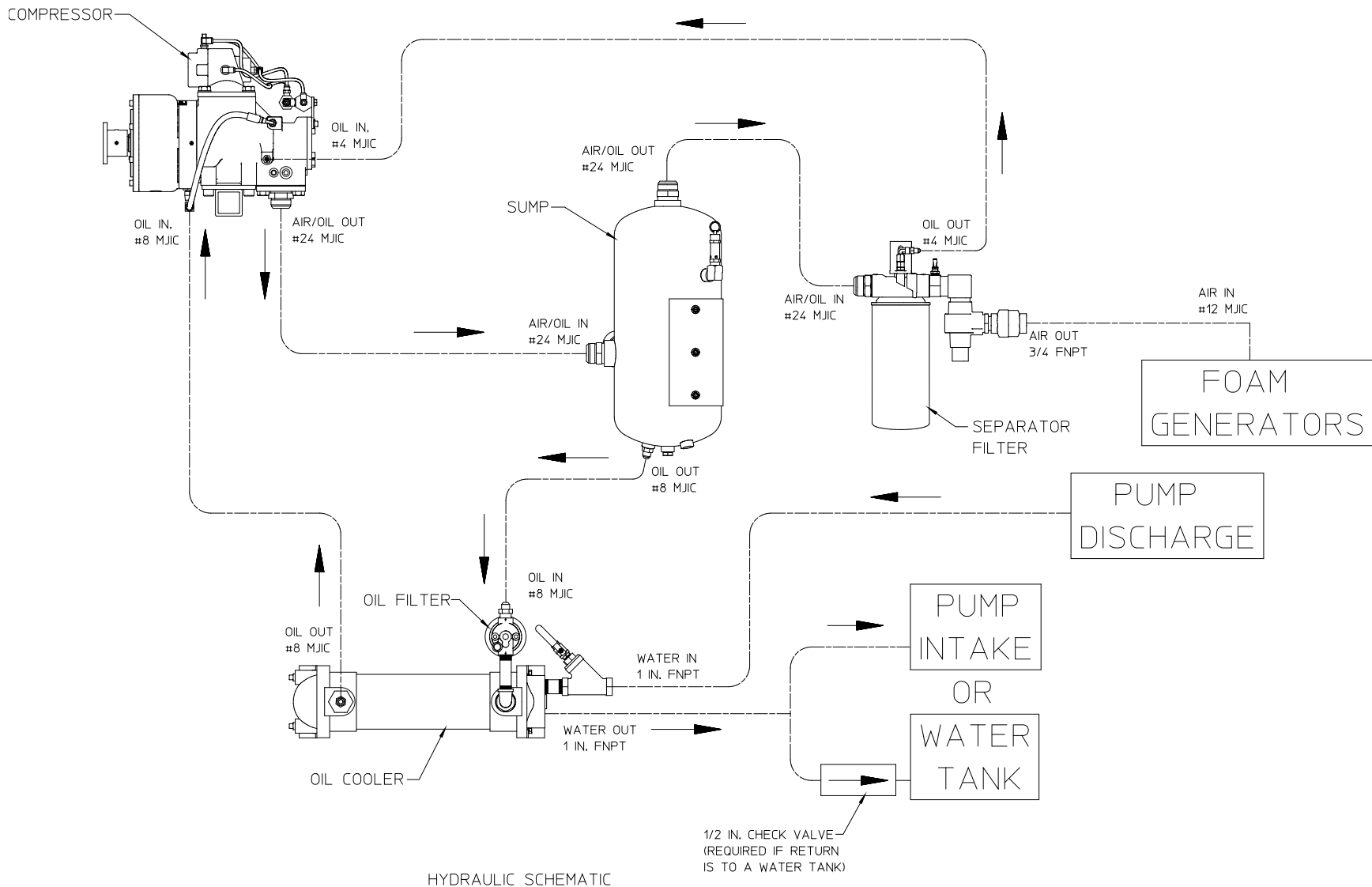


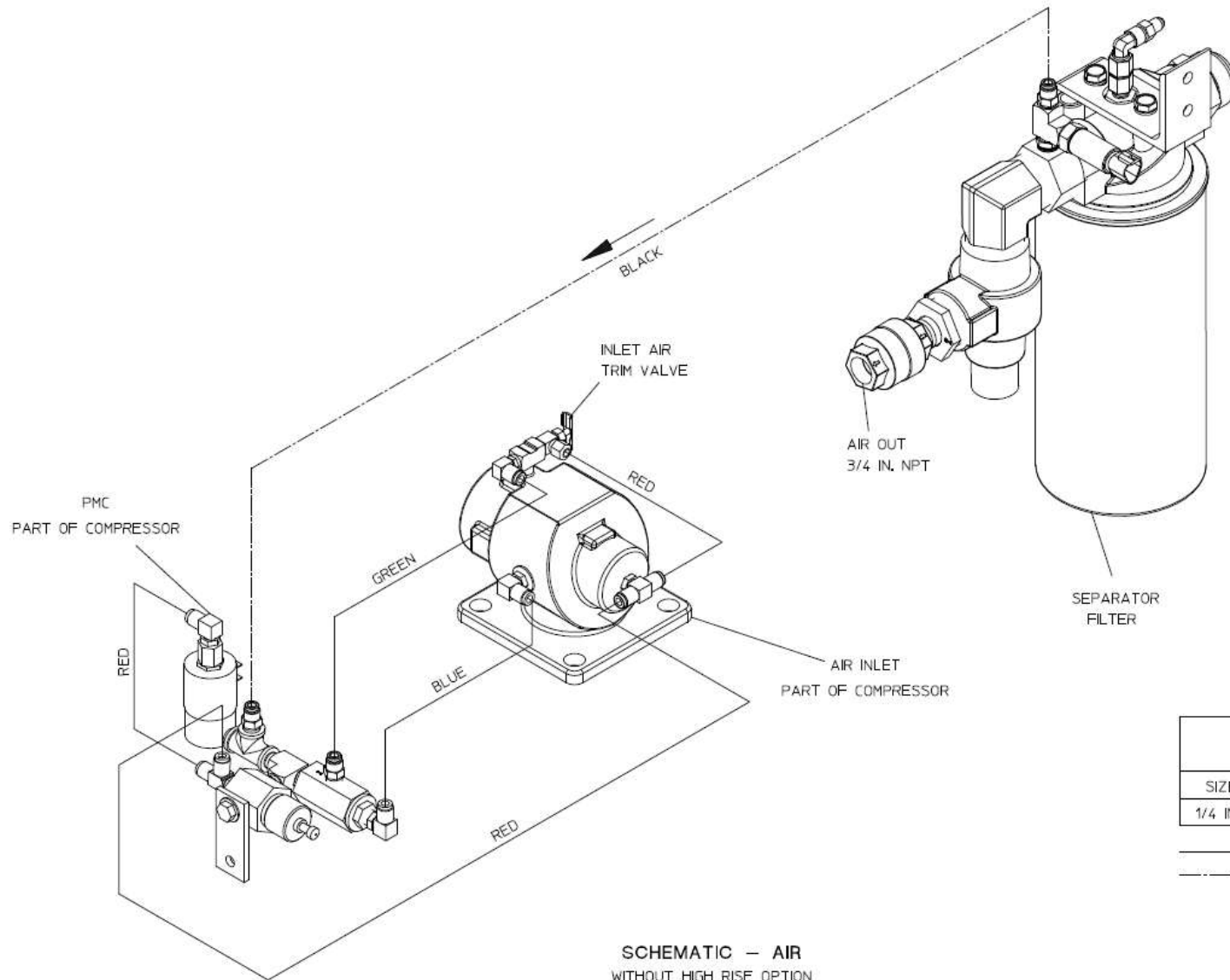
HOSE AND TUBING FURNISHED		
TYPE	SIZE	LENGTH
HYDRAULIC HOSE	1/4 IN.	10 FEET
	1/2 IN.	16 FEET
	1-3/8 IN.	10 FEET
AIR BRAKE TUBING	1/4 IN.	12 FEET
	5/8 IN.	32 FEET
PUSH-ON HOSE	3/4 IN.	10 FEET

ALL DIMENSIONS SHOWN AS INCH/MILLIMETER
(INCH / MILLIMETER)



OPTIONAL TEE SUMP (OIL RESERVIOR)

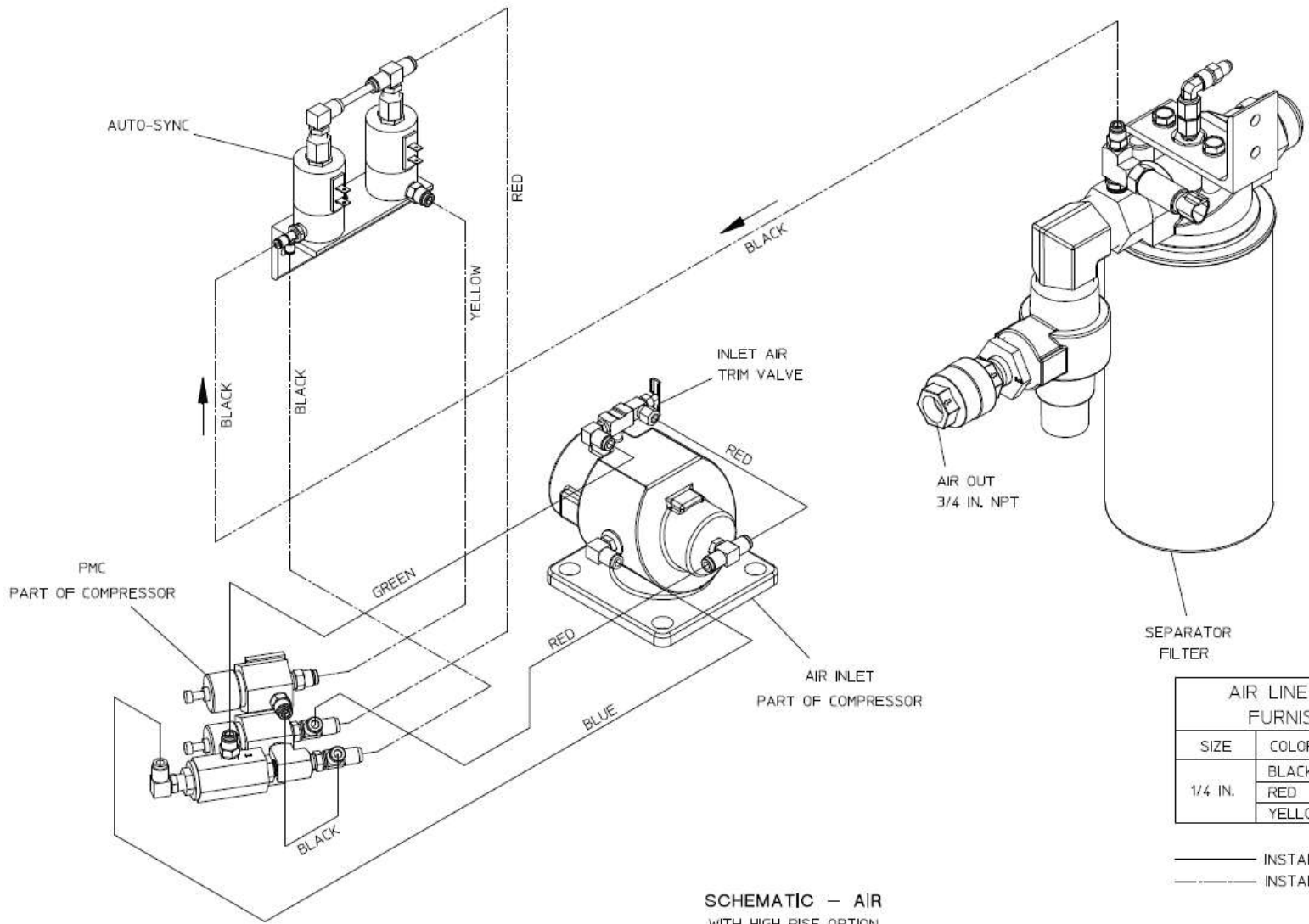




AIR LINE TUBING FURNISHED		
SIZE	COLOR	LENGTH
1/4 IN.	BLACK	15 FEET

————— INSTALLED AT FACTORY
 - - - - - INSTALLED BY OEM

SCHEMATIC – AIR
 WITHOUT HIGH RISE OPTION



SCHEMATIC — AIR
 WITH HIGH RISE OPTION