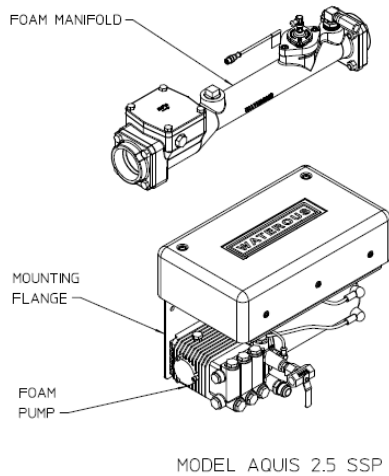
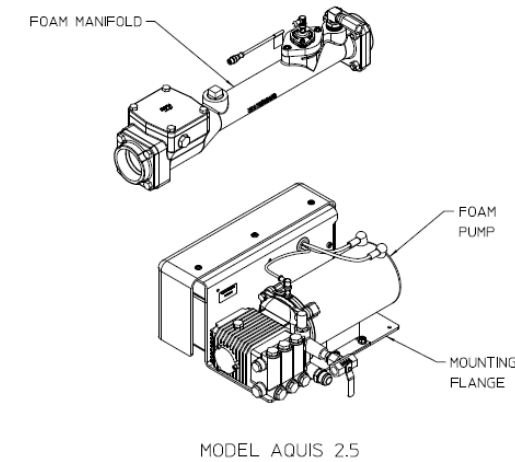
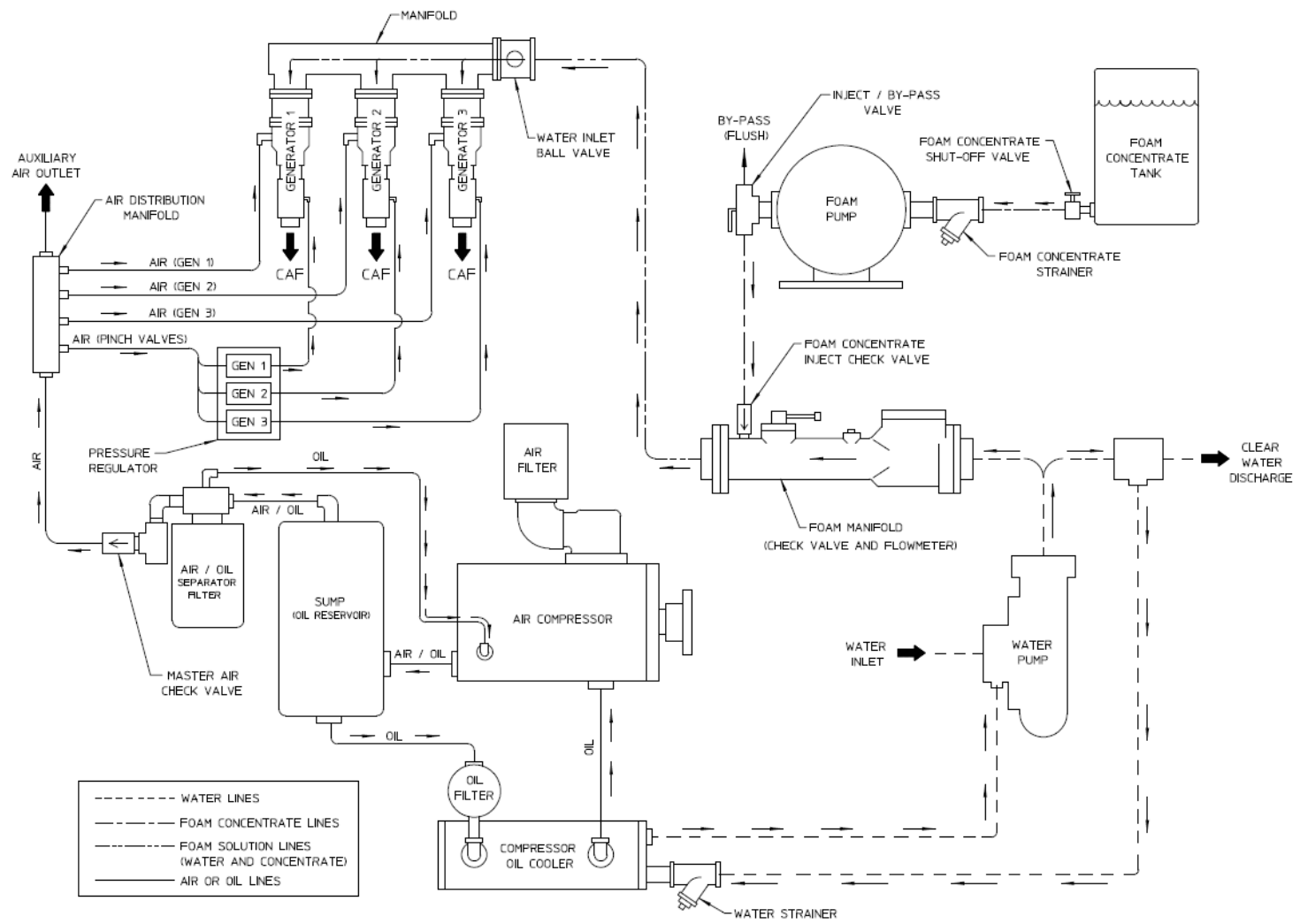


**Foam System Dimensional Drawings
Models Aquis 2.5 and Aquis 2.5 SSP
As used with One-Step and Eclipse GEN 2.0 CAFS**



	Page
System Schematic:	2
Standard Components:	
Foam Pump:	
Aquis 2.5	3
Aquis 2.5 SSP	4
Manifolds	5
Foam Line Strainer	5
Optional Components:	
Cable Extensions:	
Flowmeter	3, 4
One-Step PLC Control	3, 4
Foam Tank Level Switch.....	6
Panel Plates	6
Foam Tank Level Switch	6
Panel Mounted Foam Strainer	7
Foam Supply Hose Kit.....	8
Foam Inject/Bypass Hose Kit	8
Foam Pick Up Hoses	9
FoamFill System	See DPL83460
Electrical Connections:	
Foam Tank Level Switch	6
Foam Pump Power	9
Foam Generators and Controls:	
One-Step CAFS	See DPL83527
Eclipse GEN 2.0 CAFS.....	See DPL83637



SYSTEM SCHEMATIC

NOTE:

1. AVAILABLE CABLE EXTENSIONS:

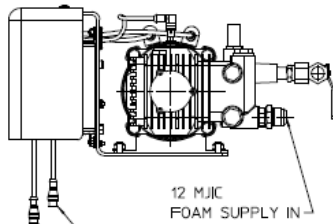
FLOWMETER:

13.1 FT / 4 METERS, ORDER PART NO. Q-4310017

ONE-STEP PLC:

9.8 FT / 3 METERS, ORDER PART NO. Q-4310006

19.6 FT / 6 METERS, ORDER PART NO. Q-4310007

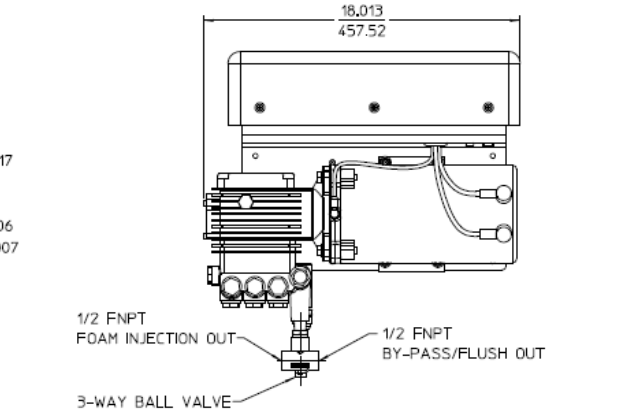


12 MJC
FOAM SUPPLY IN

4-PIN CONNECTOR
TO FLOW METER
(SEE NOTE 1)

8-PIN CONNECTOR
TO ONE-STEP
PLC CONTROL
SEE DPL83527
(SEE NOTE 1)

CABLE LENGTHS:
9 FT/2.74 METERS



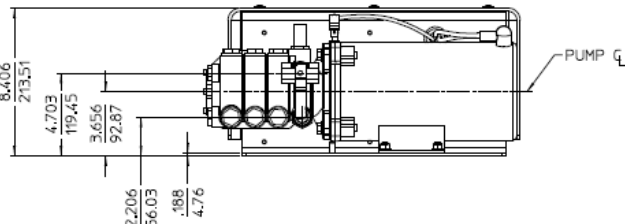
1/2 FNPT
FOAM INJECTION OUT

18.013

457.52

1/2 FNPT
BY-PASS/FLUSH OUT

3-WAY BALL VALVE



8.406
213.51

4.703
119.45

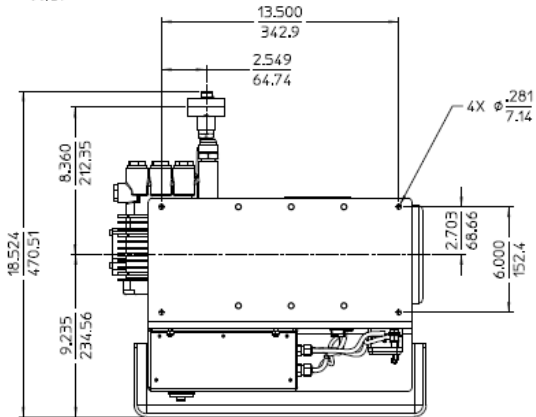
3.656
92.87

2.206
56.03

.888
22.55

4.76

PUMP



13.500
342.9

2.549
64.74

4X ϕ .281
7.14

18.524
470.51

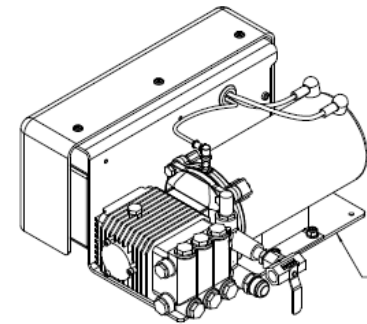
8.360
212.35

9.235
234.56

2.703
68.66

6.000
152.4

MOUNTING FLANGE



ALL DIMENSIONS SHOWN AS INCH/MILLIMETER
(INCH
MILLIMETER)

FOAM PUMP MODEL - AQUIS 2.5

NOTE:

1. AVAILABLE CABLE EXTENSIONS:

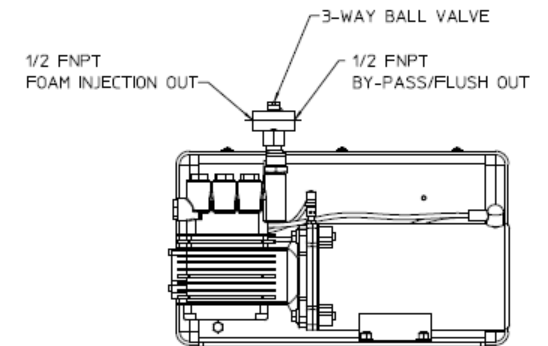
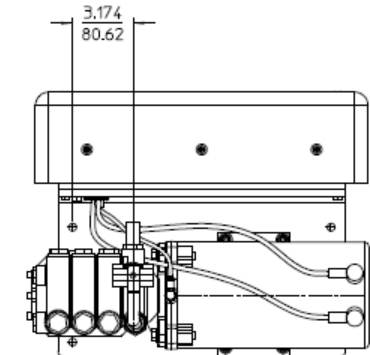
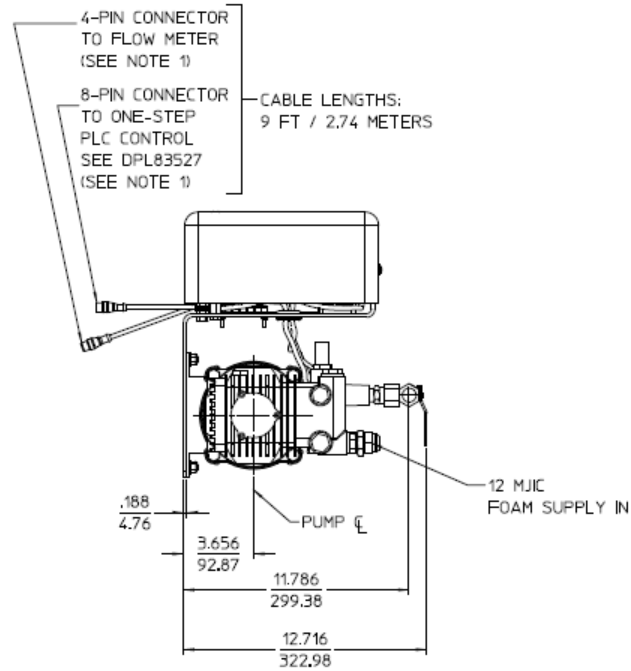
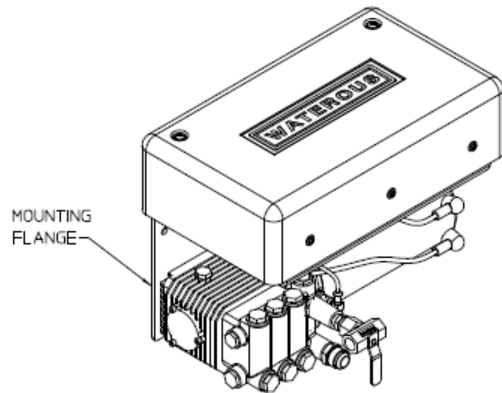
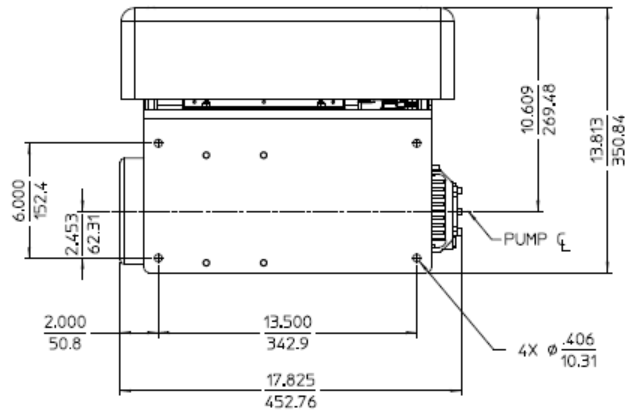
FLOWMETER:

13.1 FT / 4 METERS, ORDER PART NO. Q-4310017

ONE-STEP PLC:

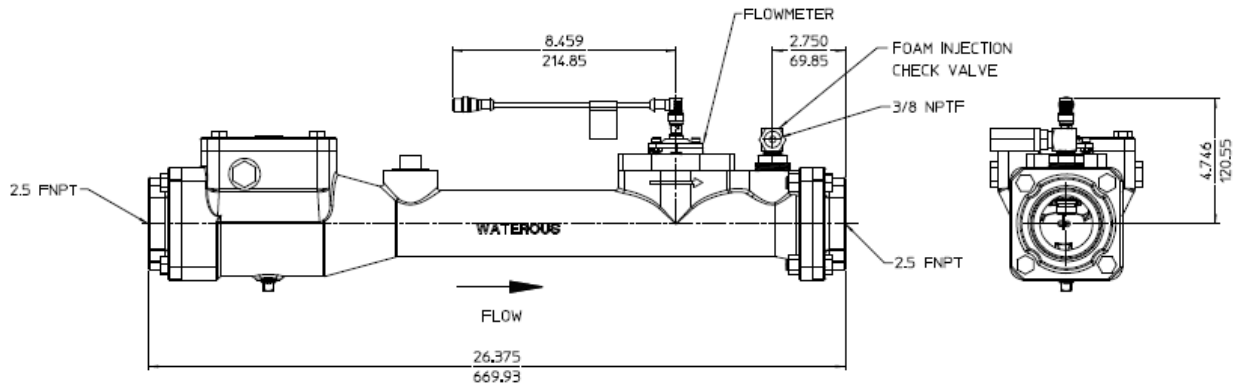
9.8 FT / 3 METERS, ORDER PART NO. Q-4310006

19.6 FT / 6 METERS, ORDER PART NO. Q-4310007

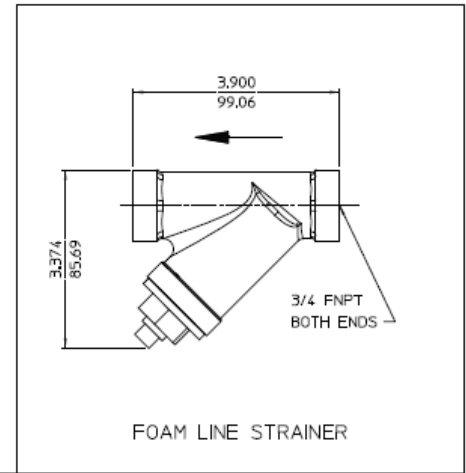


ALL DIMENSIONS SHOWN AS INCH/MILLIMETER
(INCH / MILLIMETER)

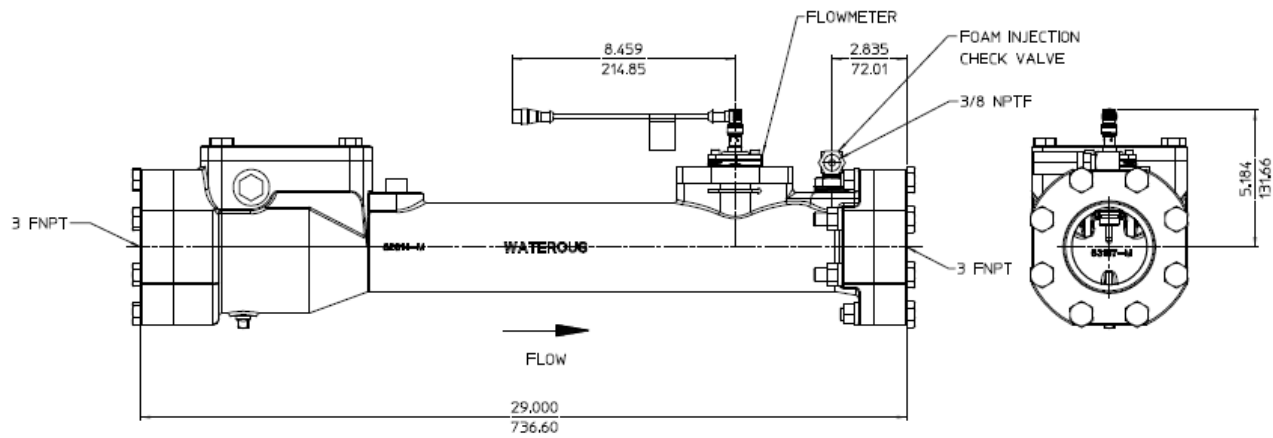
FOAM PUMP MODEL - AQUIS 2.5 SSP



2.5 IN. (500 GPM) FOAM MANIFOLD



FOAM LINE STRAINER

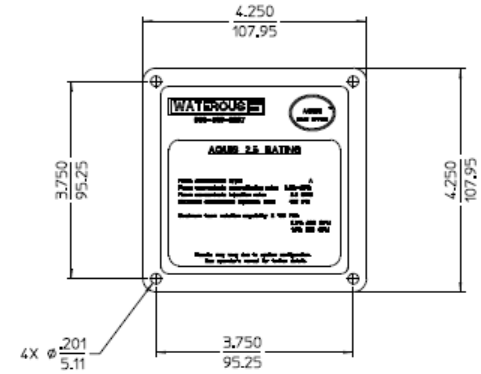


3 IN. (1000 GPM) FOAM MANIFOLD

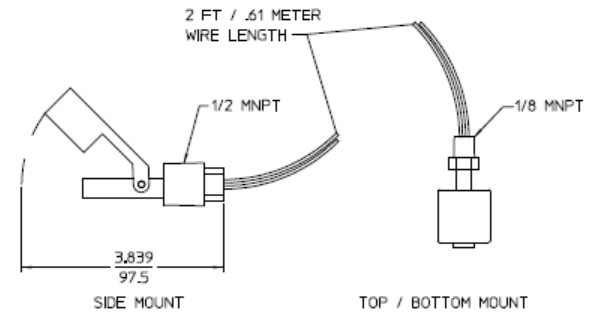
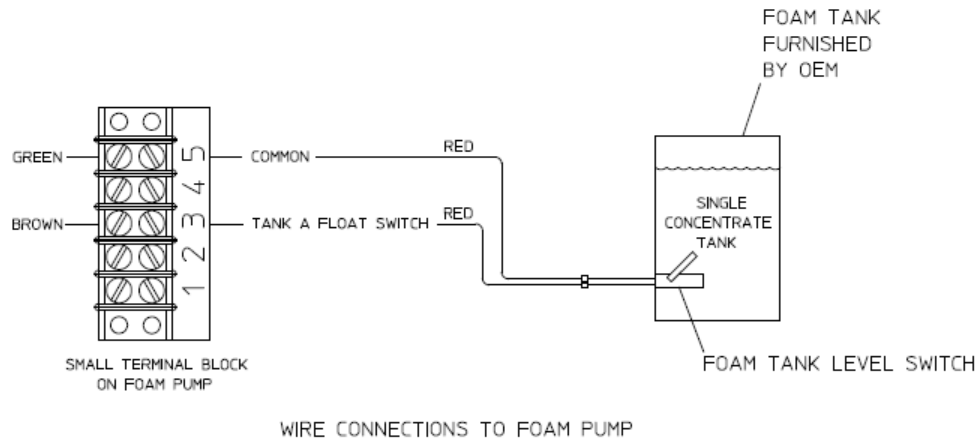
MANIFOLDS

ALL DIMENSIONS SHOWN AS INCH/MILLIMETER
(INCH / MILLIMETER)

ORDER PART NO'S:
 0-0315321 (ENGLISH)
 63752 (CHINESE)



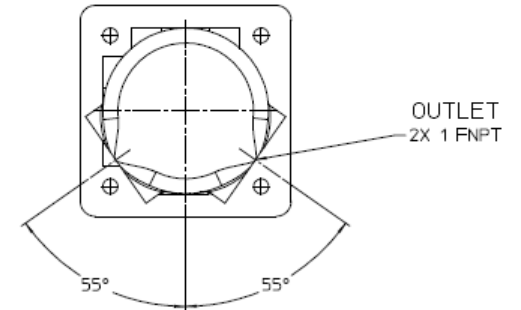
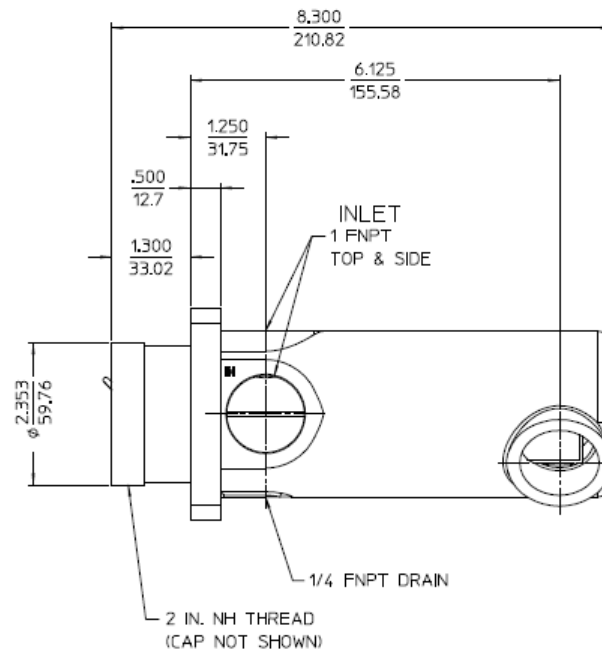
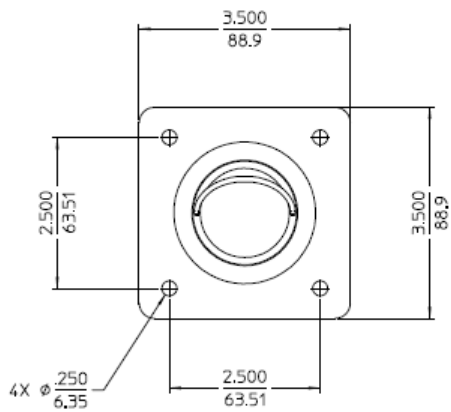
OPTIONAL RATING PANEL PLATE



OPTIONAL FOAM LEVEL TANK SWITCH

ORDER PART NO'S:
 0-4190000 (SIDE MOUNT)
 0-4190001 (TOP/BOTTOM MOUNT)
 AVAILABLE WIRE EXTENSION:
 13.1 FT / 4 METERS - ORDER PART NO. 0-4310014

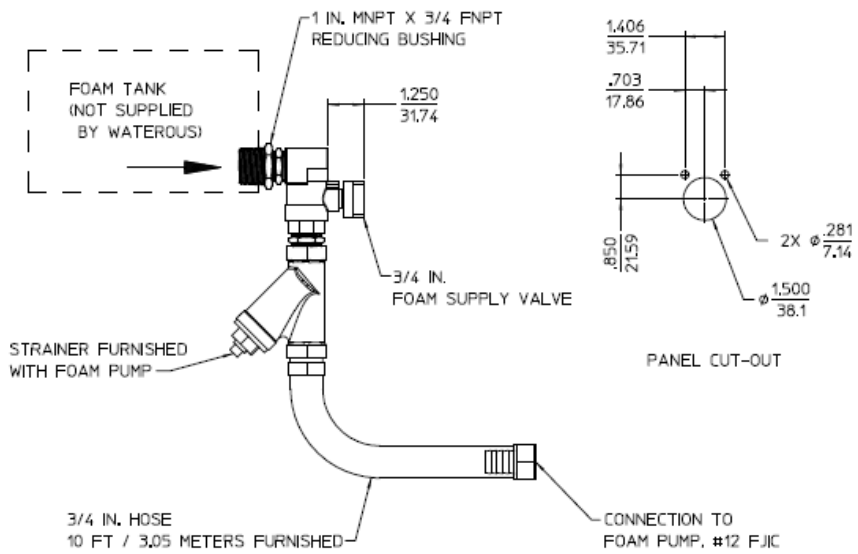
ALL DIMENSIONS SHOWN AS INCH/MILLIMETER
 (INCH / MILLIMETER)



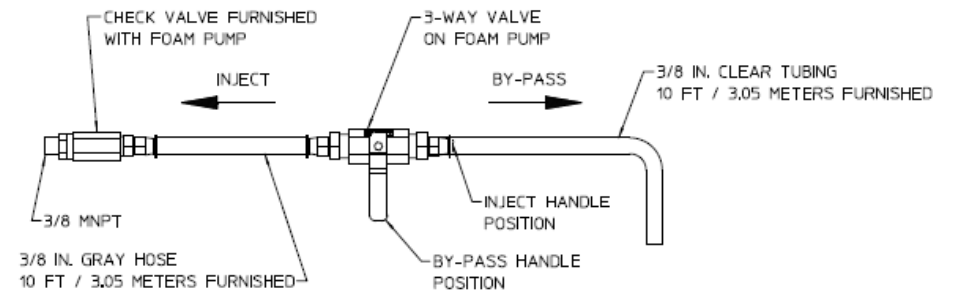
OPTIONAL PANEL MOUNTED FOAM LINE STRAINER

NO. 10 MESH, INCLUDES CAP AND CHAIN
ORDER PART NO. 0-2450011

ALL DIMENSIONS SHOWN AS INCH/MILLIMETER
($\frac{\text{INCH}}{\text{MILLIMETER}}$)



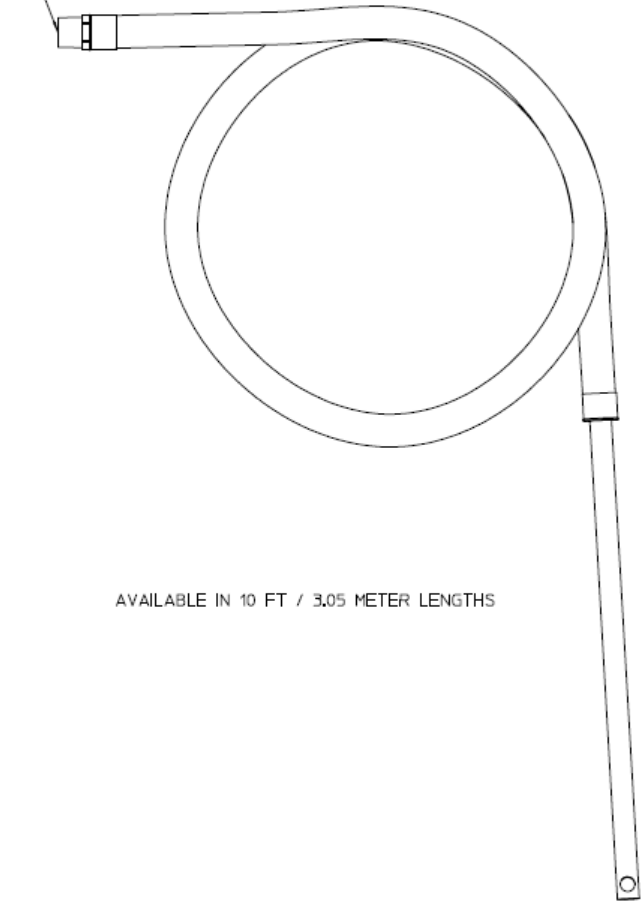
OPTIONAL FOAM SUPPLY HOSE KIT
ORDER PART NO. 83430-1B



OPTIONAL FOAM INJECTION / BY-PASS HOSE KIT
ORDER PART NO. 83430-2A

ALL DIMENSIONS SHOWN AS INCH/MILLIMETER
($\frac{\text{INCH}}{\text{MILLIMETER}}$)

3/4 MNPT ON 3/4 HOSE
1 MNPT ON 1 HOSE



AVAILABLE IN 10 FT / 3.05 METER LENGTHS

OPTIONAL FOAM PICK UP HOSES
ORDER PART NO.:
3/4 IN. HOSE - Q-0308048
1 IN. HOSE - Q-0308059

FOAM PUMP WITH COVER REMOVED

