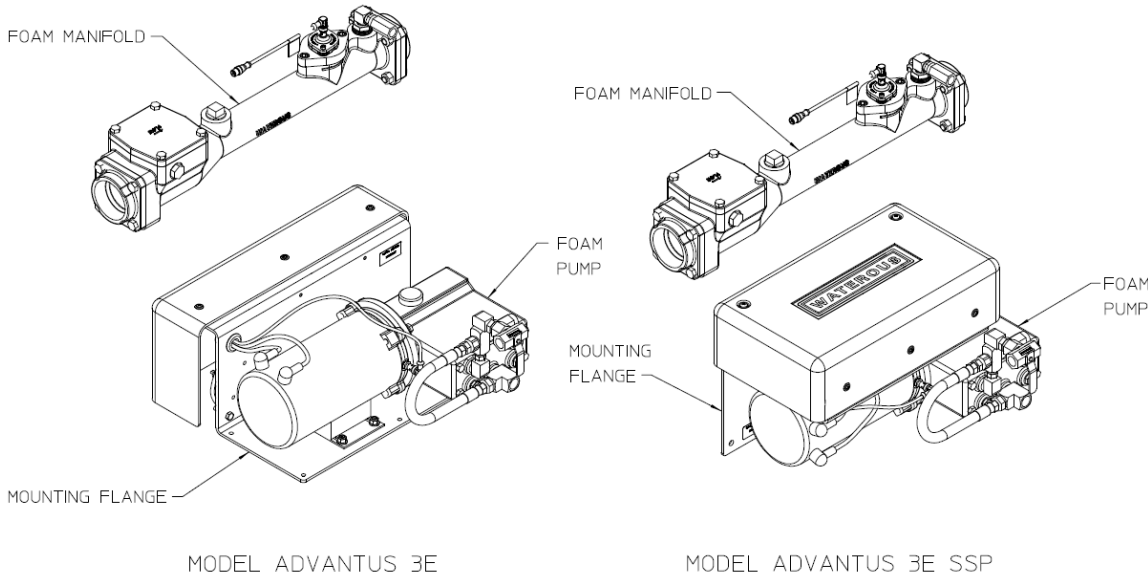


## Foam Pump Dimensional Drawings

### Models Advantus 3E and Advantus 3E SSP

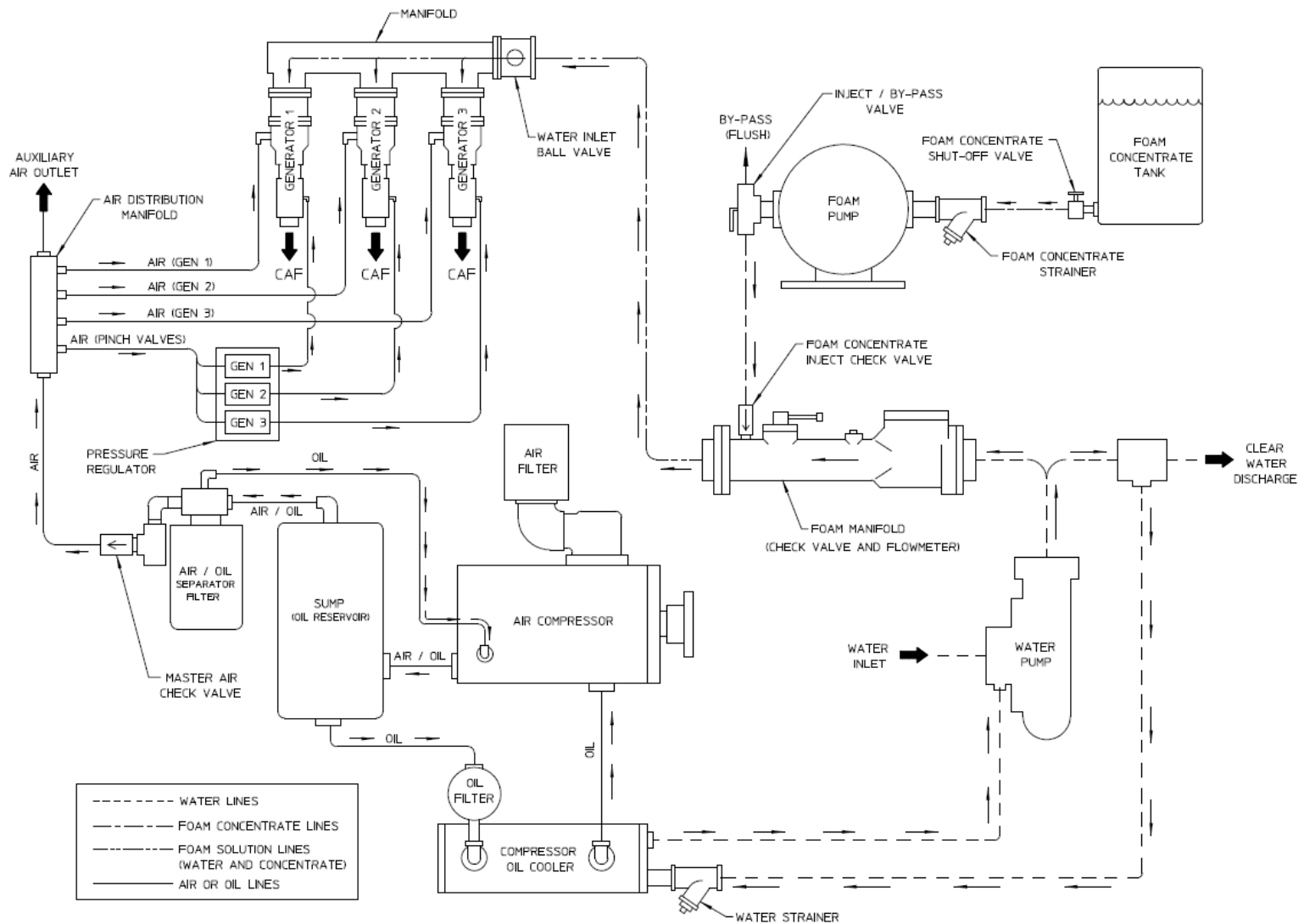
As used with One-Step and Eclipse GEN 2.0 CAFS



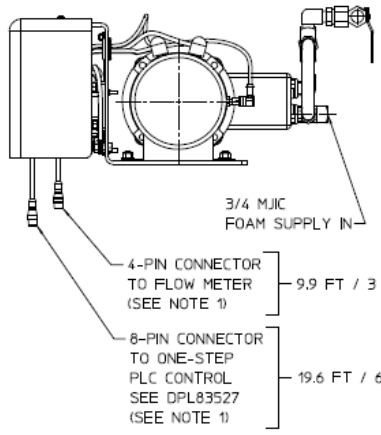
MODEL ADVANTUS 3E

MODEL ADVANTUS 3E SSP

	Page
<b>System Schematic:</b> .....	2
<b>Standard Components:</b>	
Foam Pump:	
Advantus 3E .....	3
Advantus 3E SSP.....	4
Manifolds .....	5
Foam Line Strainer .....	5
<b>Optional Components:</b>	
Cable Extensions:	
Flowmeter .....	3, 4
One-Step PLC Control .....	3, 4
Foam Tank Level Switch.....	6
Panel Plates .....	6
Foam Tank Level Switch .....	6
Panel Mounted Foam Strainer .....	7
Foam Supply Hose Kit.....	8
Foam Inject/Bypass Hose Kit .....	8
Foam Pick Up Hoses .....	9
FoamFill System .....	See DPL83460
<b>Electrical Connections:</b>	
Foam Tank Level Switch .....	6
Foam Pump Power .....	9
<b>Foam Generators and Controls:</b>	
One-Step CAFS .....	See DPL83527
Eclipse GEN 2.0 CAFS.....	See DPL83637

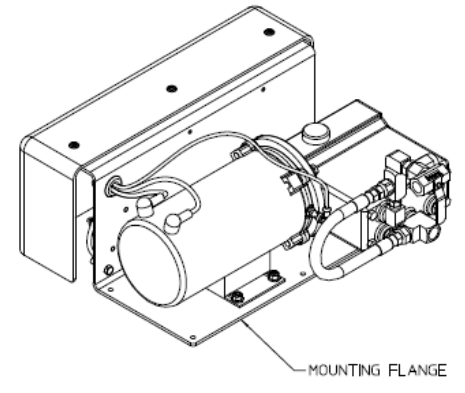
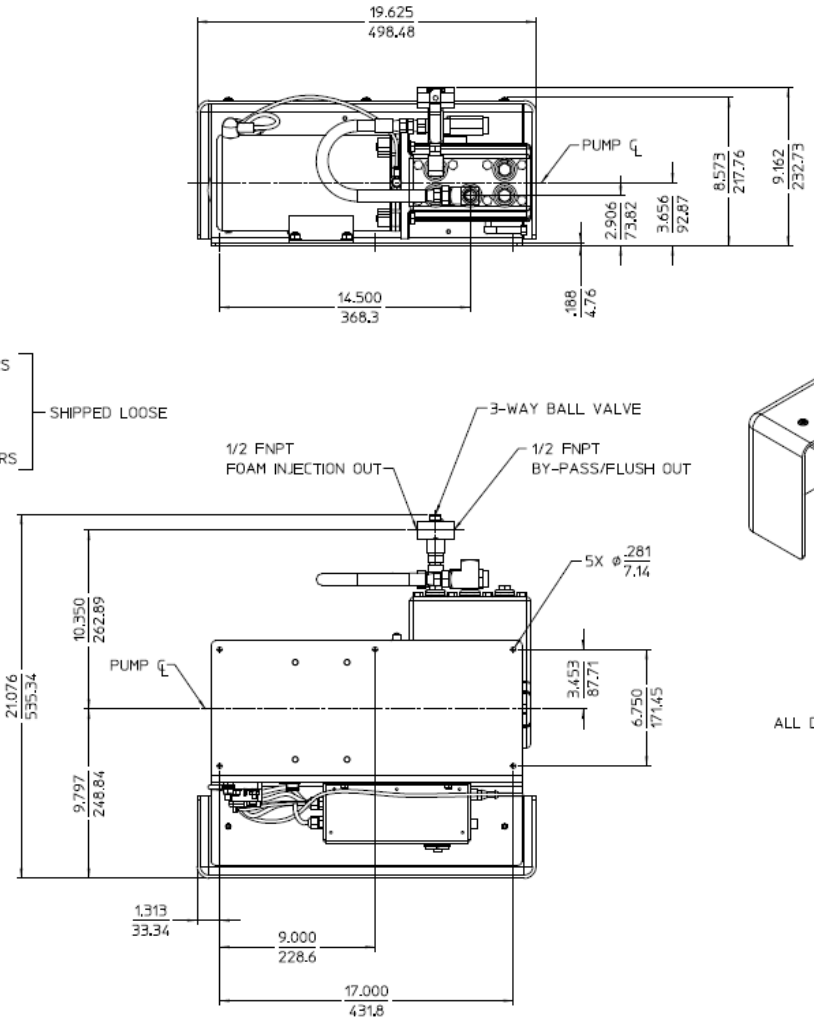


SYSTEM SCHEMATIC



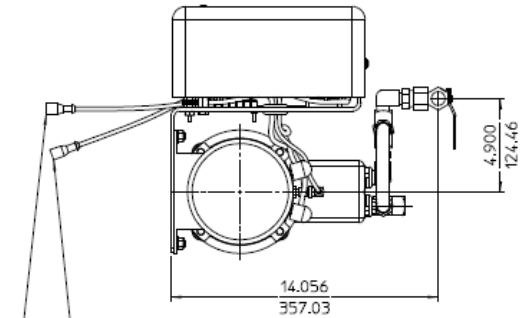
NOTE:  
1. AVAILABLE CABLE EXTENSIONS:  
FLOWMETER:  
13.1 FT / 4 METERS, ORDER PART NO. Q-4310017

ONE-STEP PLC:  
9.8 FT / 3 METERS, ORDER PART NO. Q-4310006  
19.6 FT / 6 METERS, ORDER PART NO. Q-4310007



ALL DIMENSIONS SHOWN AS INCH/MILLIMETER  
(INCH  
MILLIMETER)

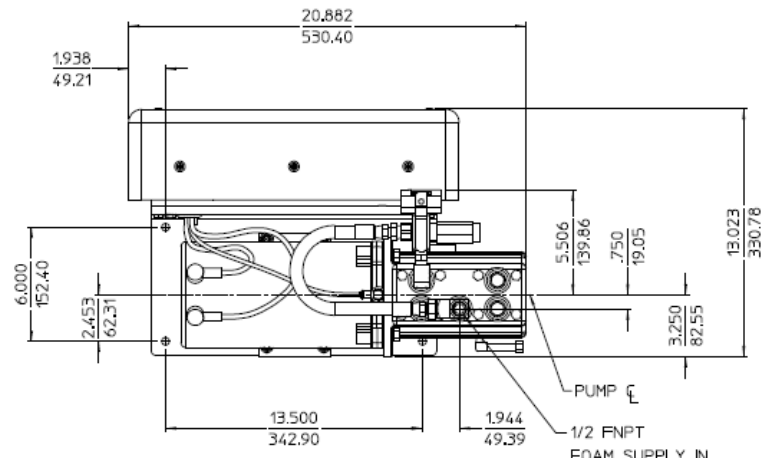
FOAM PUMP MODEL - ADVANTUS 3E



4-PIN CONNECTOR TO FLOW METER (SEE NOTE 1) — 9.9 FT / 3 METERS

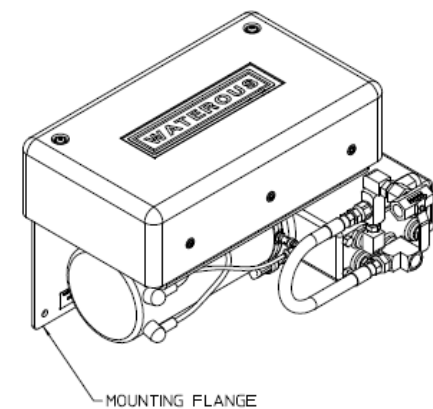
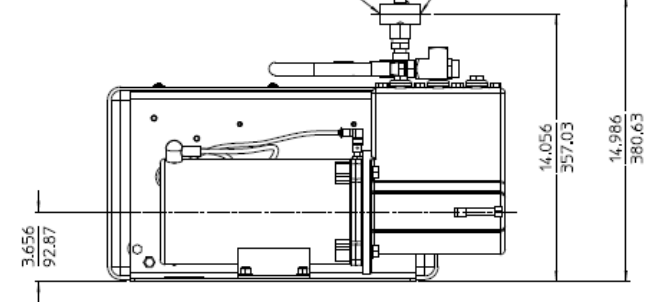
8-PIN CONNECTOR TO ONE-STEP PLC CONTROL SEE DPL83527 (SEE NOTE 1) — 19.6 FT / 6 METERS

SHIPPED LOOSE



PUMP  
1/2 FNPT FOAM SUPPLY IN

1/2 FNPT FOAM INJECTION OUT  
3-WAY BALL VALVE  
1/2 FNPT BY-PASS/FLUSH OUT

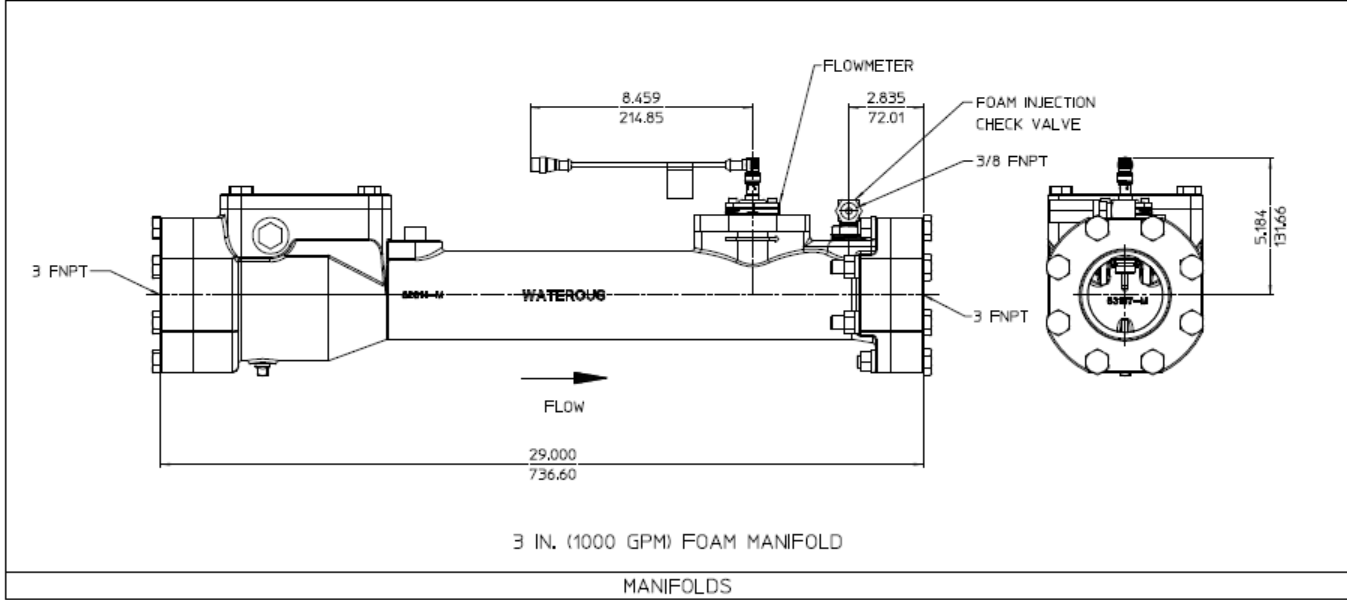
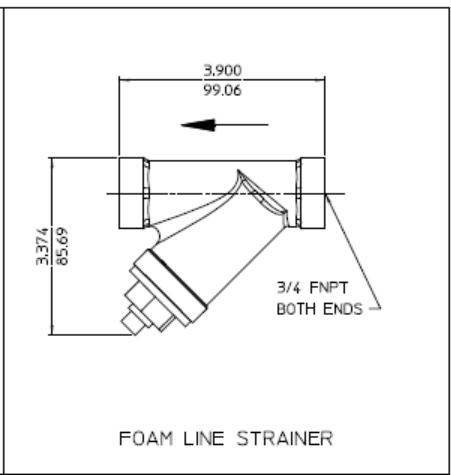
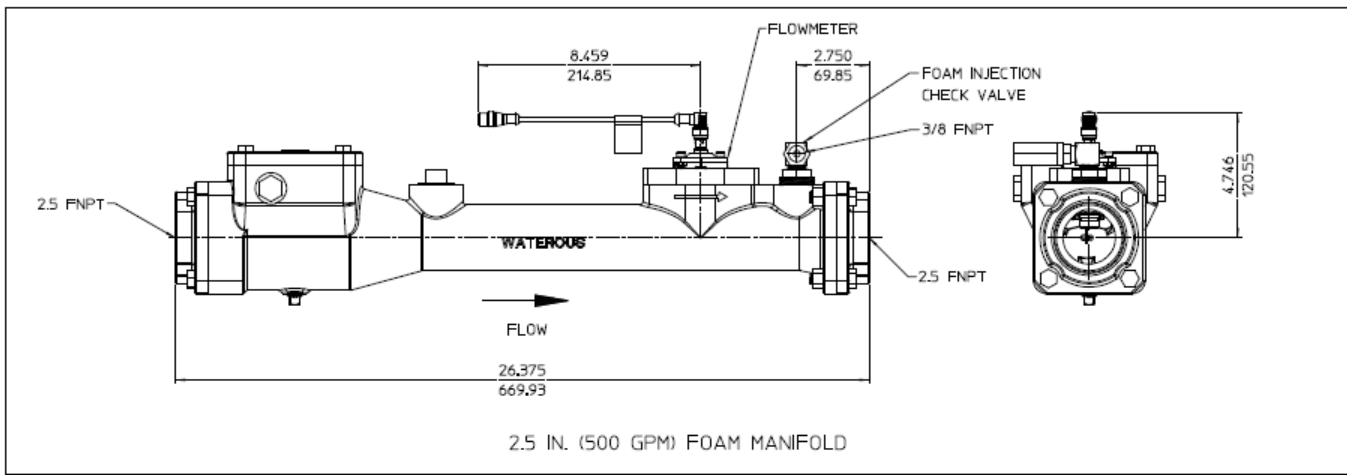


ALL DIMENSIONS SHOWN AS INCH/MILLIMETER  
(INCH / MILLIMETER)

NOTE:  
1. AVAILABLE CABLE EXTENSIONS:  
FLOWMETER:  
13.1 FT / 4 METERS, ORDER PART NO. Q-4310017

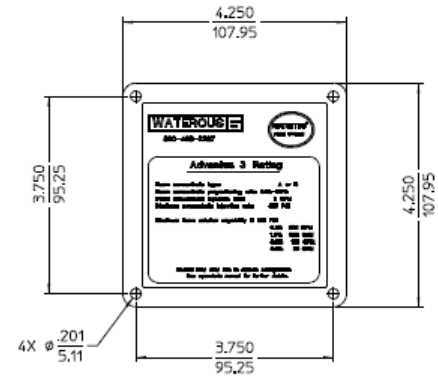
ONE-STEP PLC:  
9.8 FT / 3 METERS, ORDER PART NO. Q-4310006  
19.6 FT / 6 METERS, ORDER PART NO. Q-4310007

FOAM PUMP MODEL - ADVANTUS 3E SSP

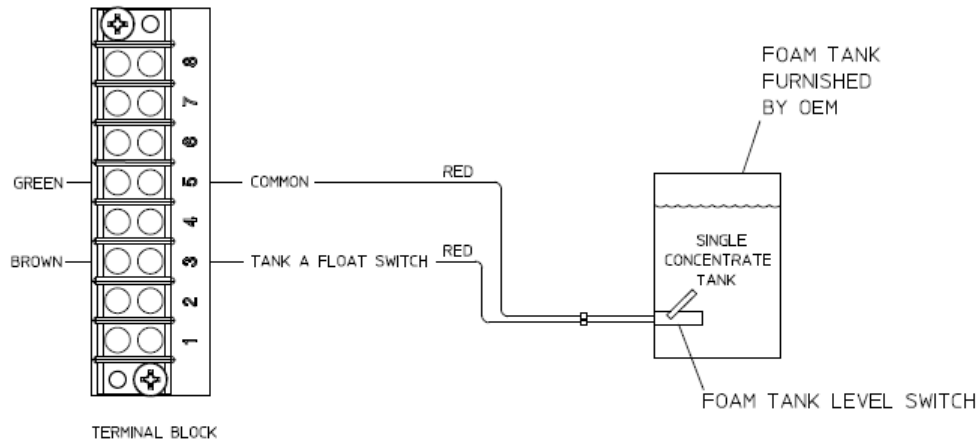


ALL DIMENSIONS SHOWN AS INCH/MILLIMETER  
(INCH  
MILLIMETER)

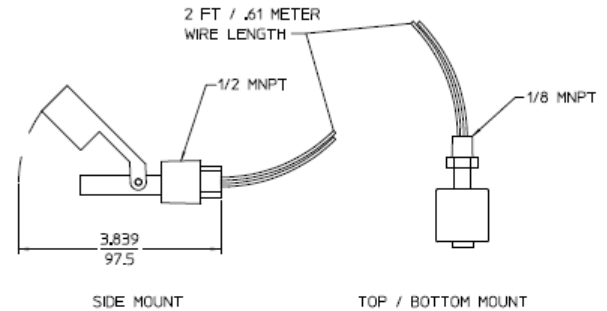
ORDER PART NO'S:  
 0-0315280 (ENGLISH)  
 63754 (CHINESE)



OPTIONAL RATING PANEL PLATE



WIRE CONNECTIONS TO FOAM PUMP

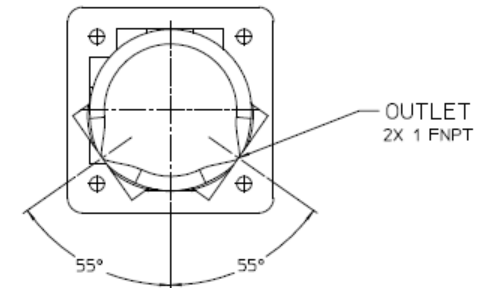
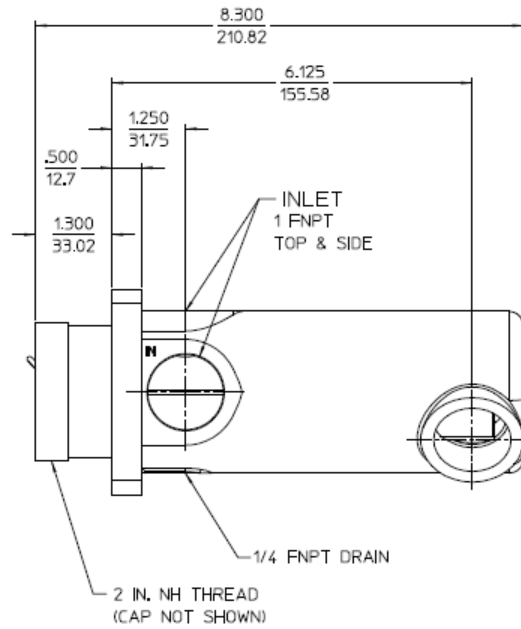
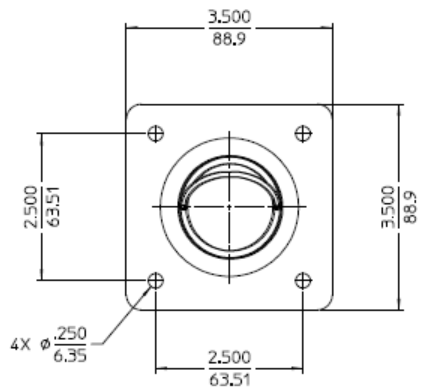


OPTIONAL FOAM LEVEL TANK SWITCH

ORDER PART NO'S:  
 Q-4190000 (SIDE MOUNT)  
 Q-4190001 (TOP/BOTTOM MOUNT)

AVAILABLE WIRE EXTENSION:  
 13.1 FT / 4 METERS - ORDER PART NO. Q-4310014

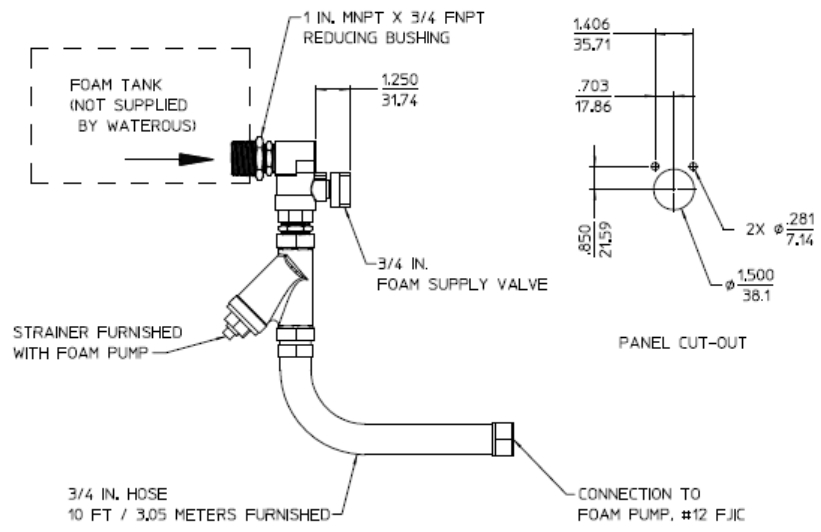
ALL DIMENSIONS SHOWN AS INCH/MILLIMETER  
 (INCH / MILLIMETER)



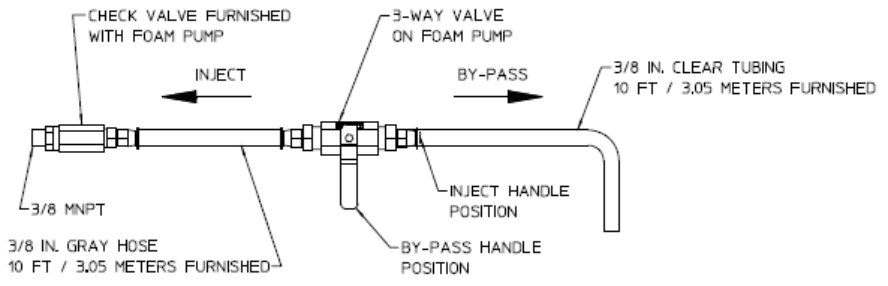
OPTIONAL PANEL MOUNTED FOAM LINE STRAINER

NO. 10 MESH. INCLUDES CAP AND CHAIN  
ORDER PART NO. 0-2450011

ALL DIMENSIONS SHOWN AS INCH/MILLIMETER  
( $\frac{\text{INCH}}{\text{MILLIMETER}}$ )



OPTIONAL FOAM SUPPLY HOSE KIT  
ORDER PART NO. 83430-1B

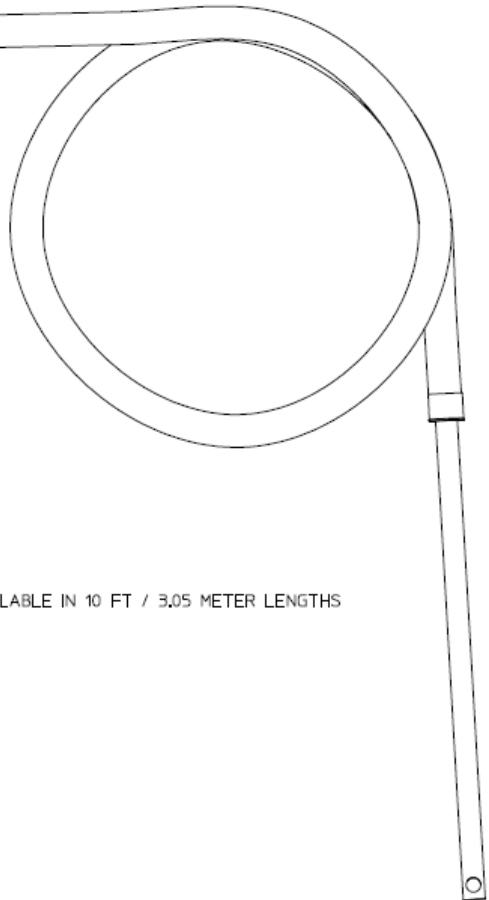


OPTIONAL FOAM INJECTION / BY-PASS HOSE KIT  
ORDER PART NO. 83430-2A

ALL DIMENSIONS SHOWN AS INCH/MILLIMETER  
( INCH / MILLIMETER )



3/4 MNPT ON 3/4 HOSE  
1 MNPT ON 1 HOSE

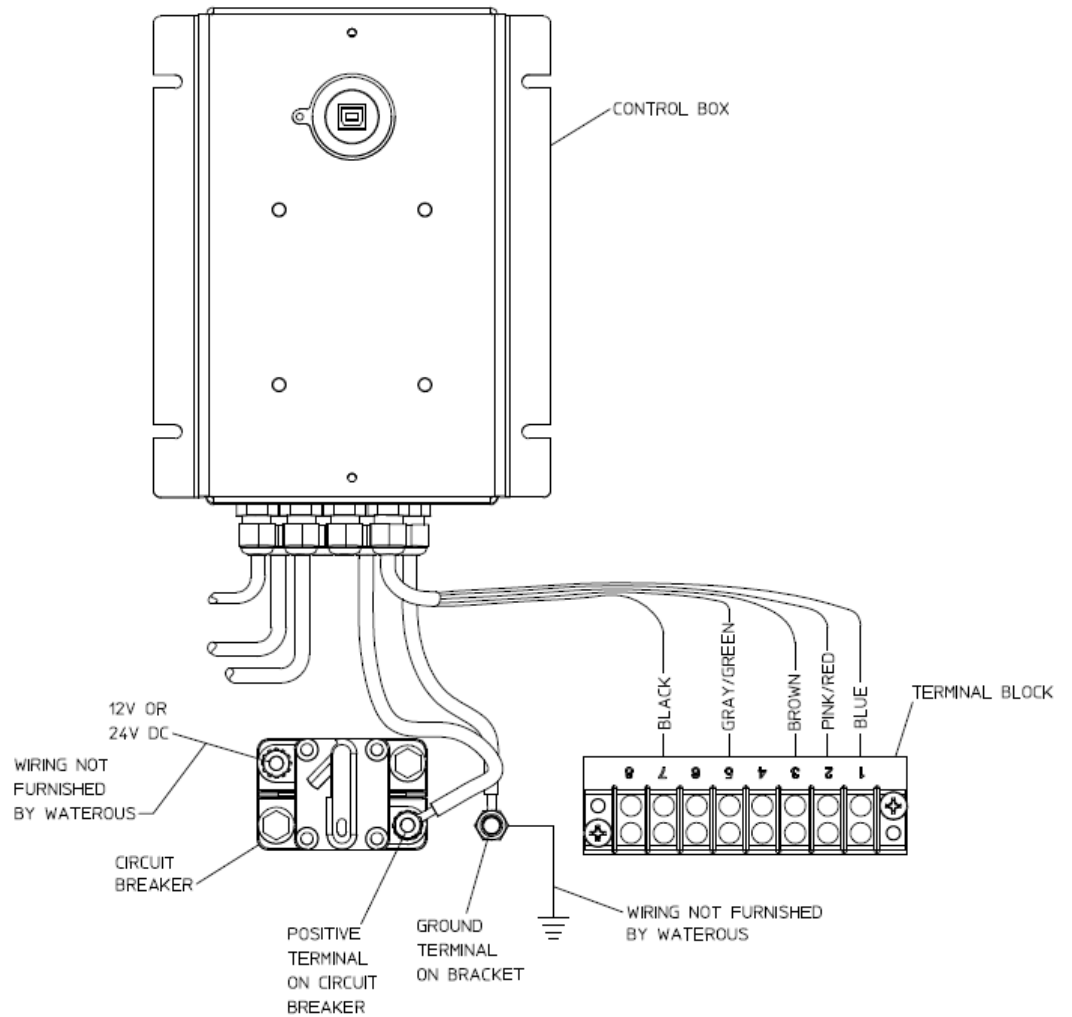


AVAILABLE IN 10 FT / 3.05 METER LENGTHS

OPTIONAL FOAM PICK UP HOSES

ORDER PART NO:  
3/4 IN. HOSE - Q-0308048  
1 IN. HOSE - Q-0308059

FOAM PUMP WITH COVER REMOVED



ELECTRICAL CONNECTIONS  
FOAM PUMP POWER