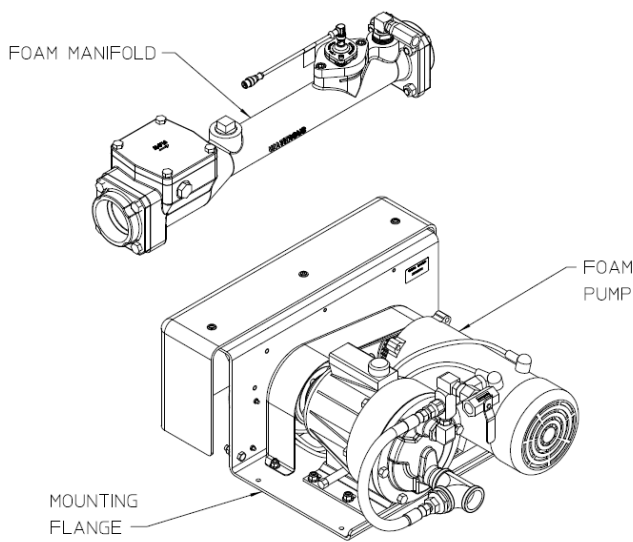
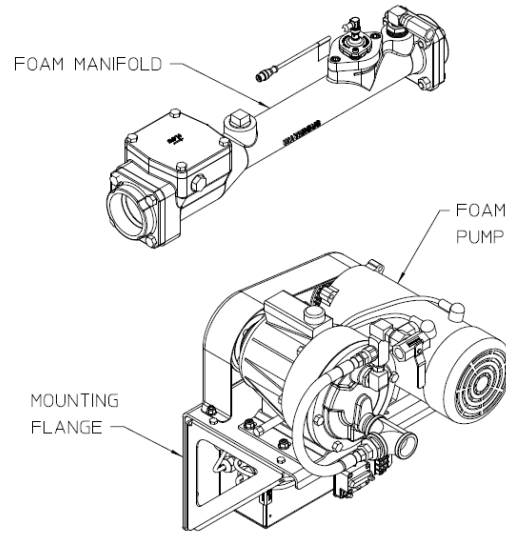


**Foam Pump Dimensional Drawings  
Models Advantus 6E and Advantus 6E SSP  
As used with One-Step and Eclipse GEN 2.0 CAFS**

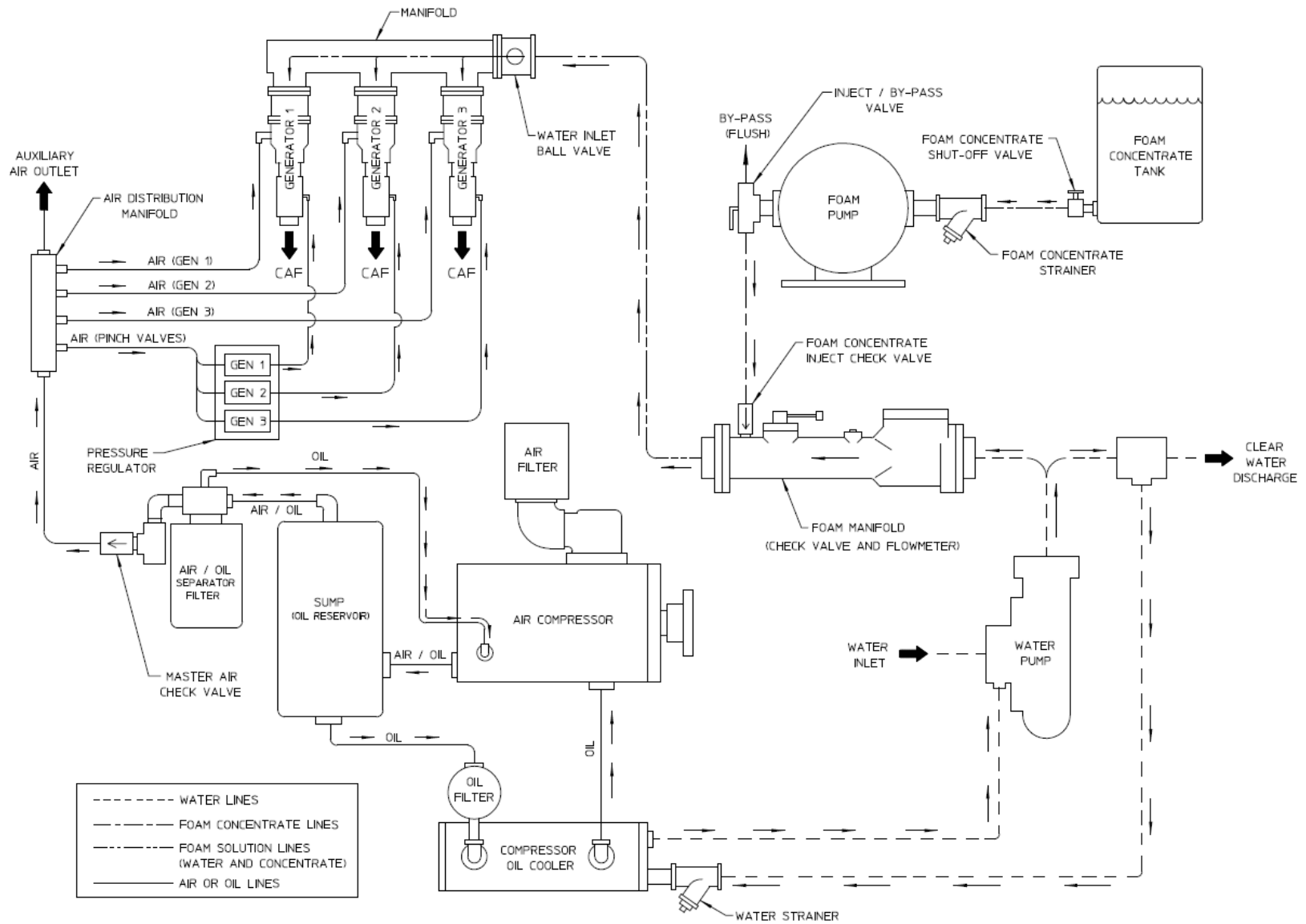


MODEL ADVANTUS 6E

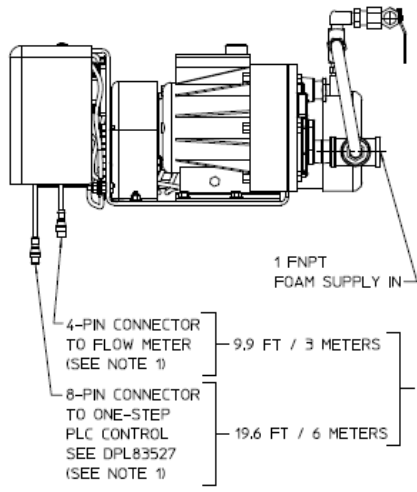


MODEL ADVANTUS 6E SSP

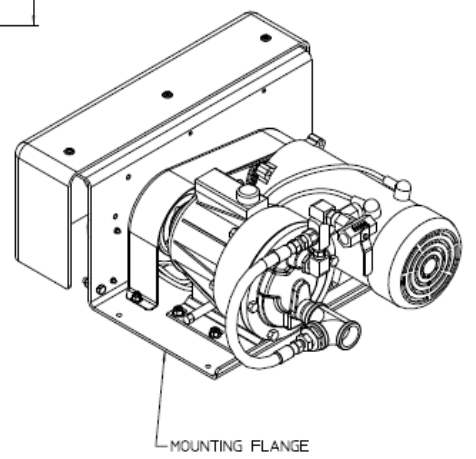
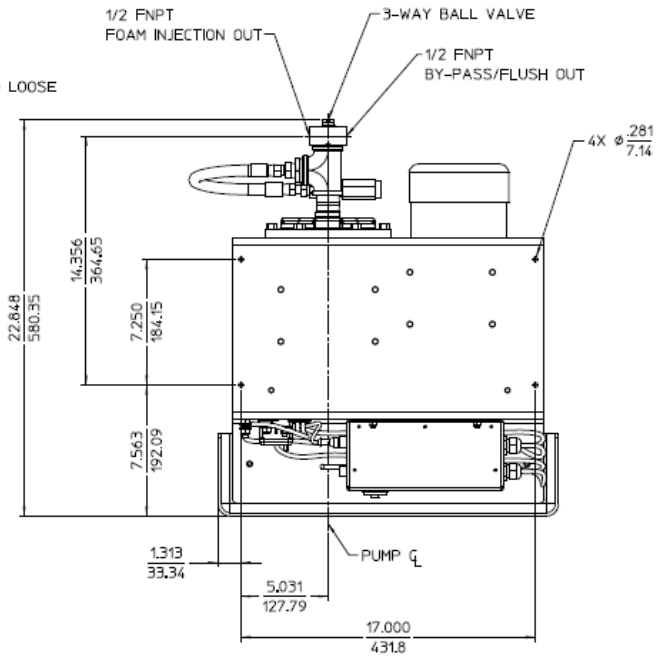
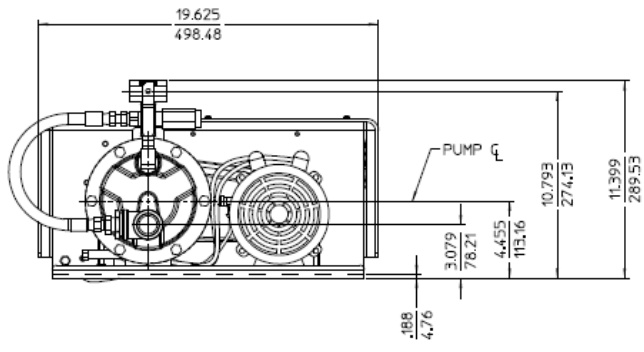
	Page
<b>System Schematic:</b> .....	2
<b>Standard Components:</b>	
Foam Pump:	
Advantus 6E .....	3
Advantus 6E SSP.....	4
Manifolds .....	5
Foam Line Strainer .....	5
<b>Optional Components:</b>	
Cable Extensions:	
Flowmeter .....	3, 4
One-Step PLC Control .....	3, 4
Foam Tank Level Switch.....	6
Panel Plates .....	6
Foam Tank Level Switch .....	6
Panel Mounted Foam Strainer .....	7
Foam Supply Hose Kit.....	8
Foam Inject/Bypass Hose Kit .....	8
Foam Pick Up Hoses .....	9
FoamFill System .....	See DPL83460
<b>Electrical Connections:</b>	
Foam Tank Level Switch .....	6
Foam Pump Power .....	9
<b>Foam Generators and Controls:</b>	
One-Step CAFS .....	See SPL83527
Eclipse GEN 2.0 CAFS.....	See DPL83637



SYSTEM SCHEMATIC



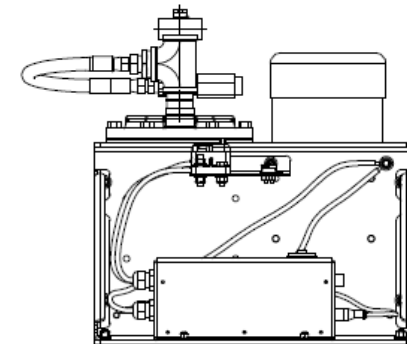
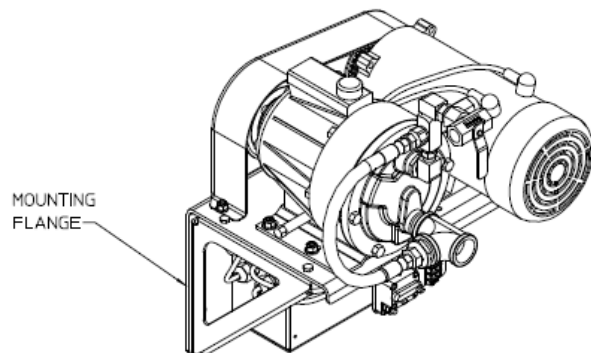
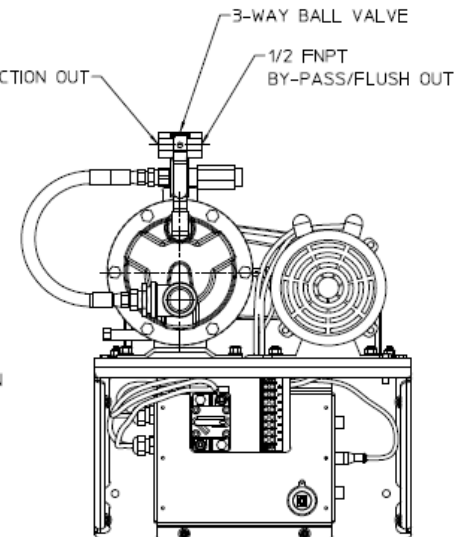
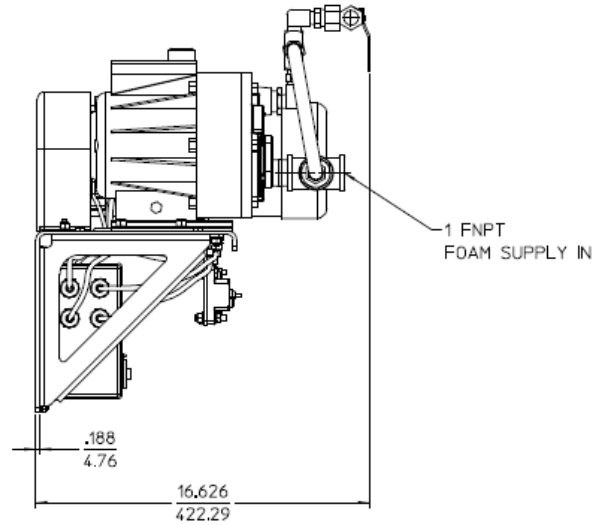
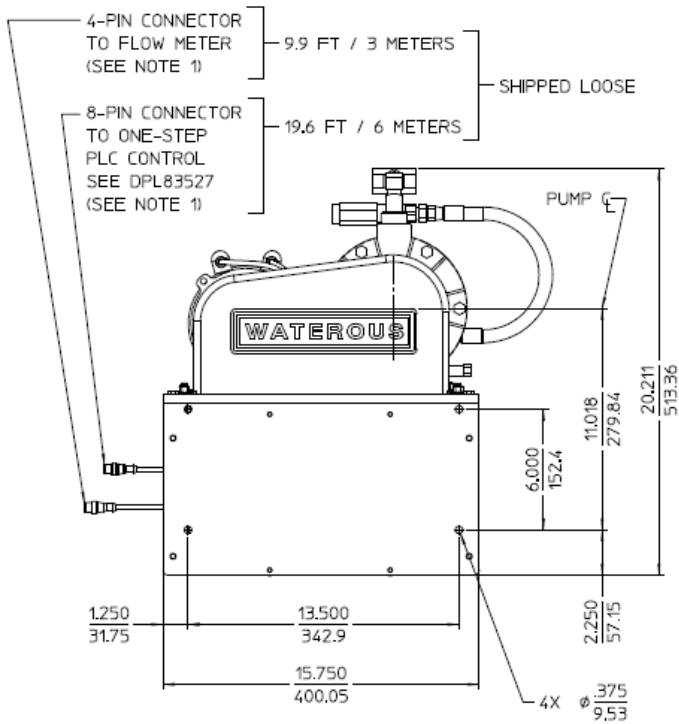
NOTE:  
 1. AVAILABLE CABLE EXTENSIONS:  
 FLOWMETER:  
 13.1 FT / 4 METERS, ORDER PART NO. Q-4310017  
  
 ONE-STEP PLC:  
 9.8 FT / 3 METERS, ORDER PART NO. Q-4310006  
 19.6 FT / 6 METERS, ORDER PART NO. Q-4310007



ALL DIMENSIONS SHOWN AS INCH/MILLIMETER  
 (INCH / MILLIMETER)

FOAM PUMP MODEL - ADVANTUS 6E





NOTE:

1. AVAILABLE CABLE EXTENSIONS:

FLOWMETER:

13.1 FT / 4 METERS, ORDER PART NO. Q-4310017

ONE-STEP PLC:

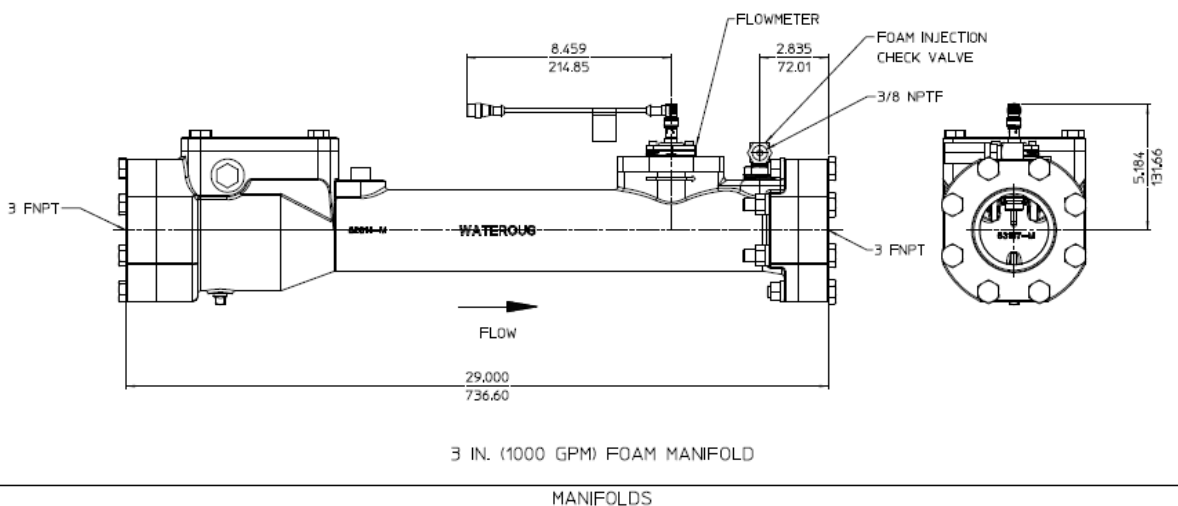
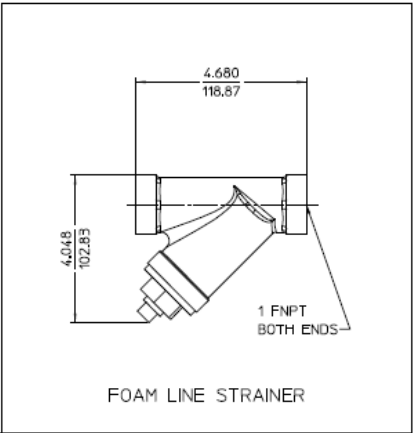
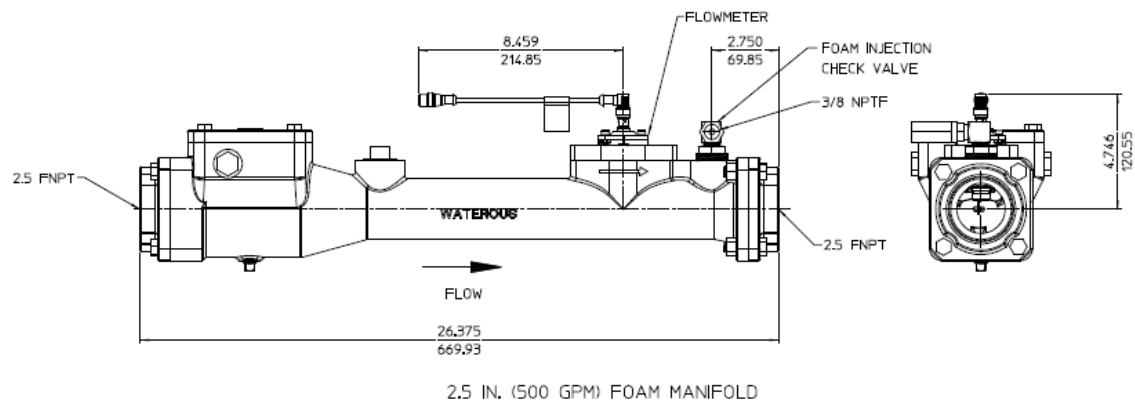
9.8 FT / 3 METERS, ORDER PART NO. Q-4310006

19.6 FT / 6 METERS, ORDER PART NO. Q-4310007

ALL DIMENSIONS SHOWN AS INCH/MILLIMETER

( INCH  
MILLIMETER )

FOAM PUMP MODEL - ADVANTUS 6E SSP

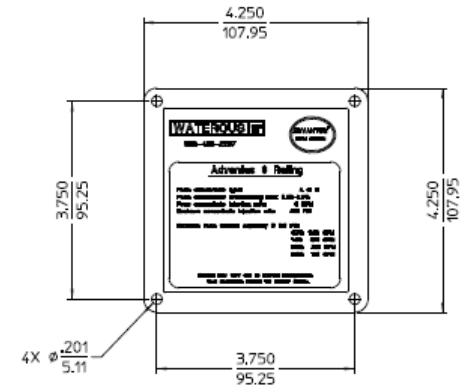


ALL DIMENSIONS SHOWN AS INCH/MILLIMETER  
 (INCH)  
 (MILLIMETER)

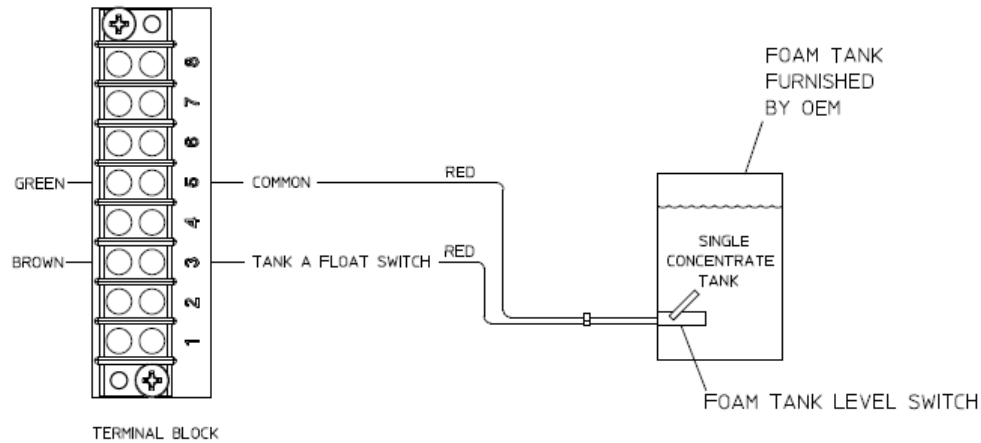
MANIFOLDS

ALL DIMENSIONS SHOWN AS INCH/MILLIMETER  
( INCH / MILLIMETER )

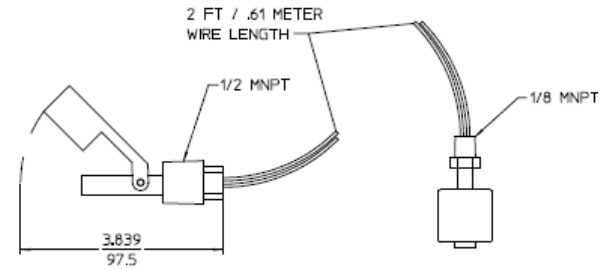
ORDER PART NO'S:  
Q-0315281 (ENGLISH)  
63755 (CHINESE)



OPTIONAL RATING PANEL PLATE



WIRE CONNECTIONS TO FOAM PUMP



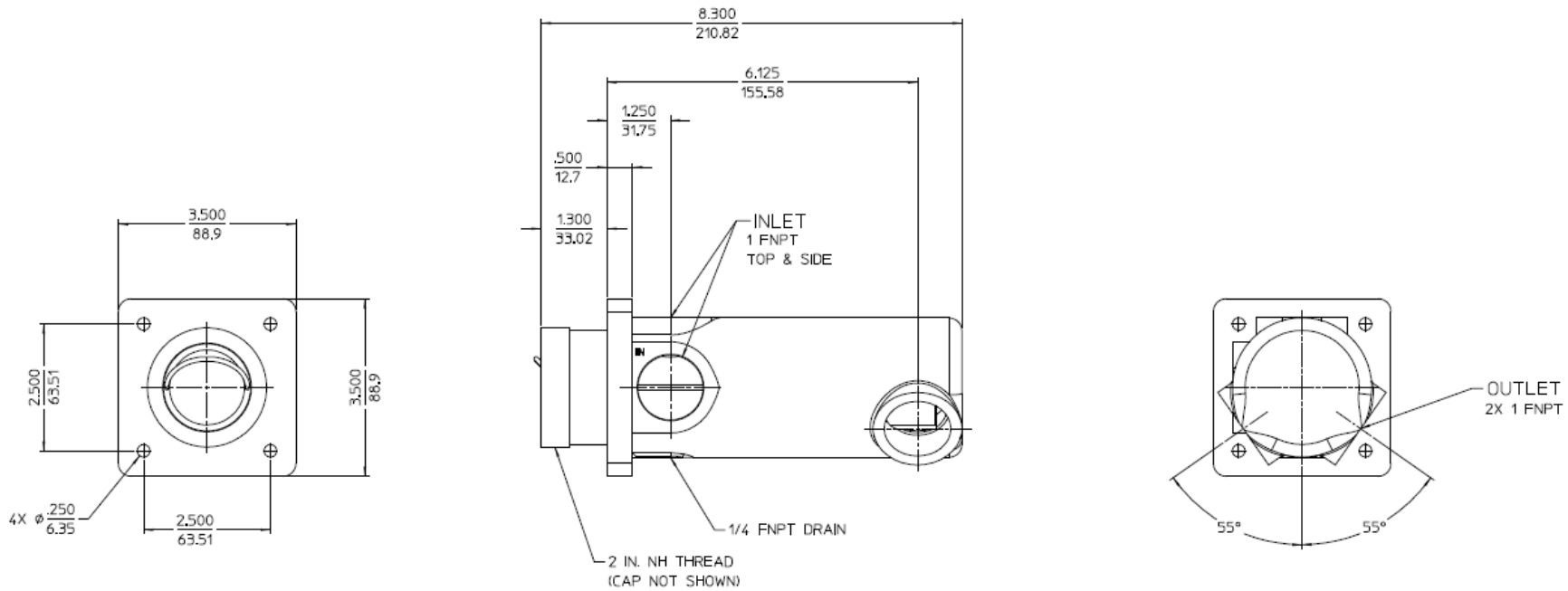
SIDE MOUNT

TOP / BOTTOM MOUNT

OPTIONAL FOAM LEVEL TANK SWITCH

ORDER PART NO'S:  
Q-4190000 (SIDE MOUNT)  
Q-4190001 (TOP/BOTTOM MOUNT)

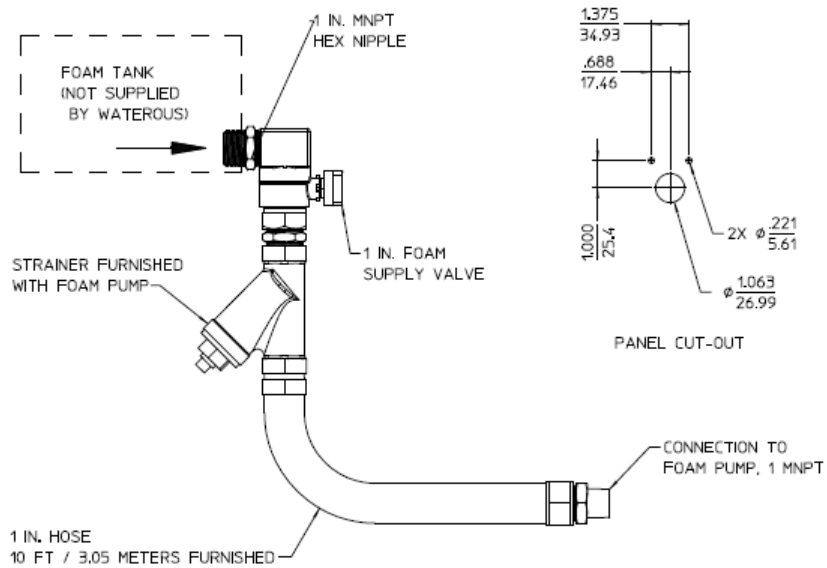
AVAILABLE WIRE EXTENSION:  
13.1 FT / 4 METERS - ORDER PART NO. Q-4310014



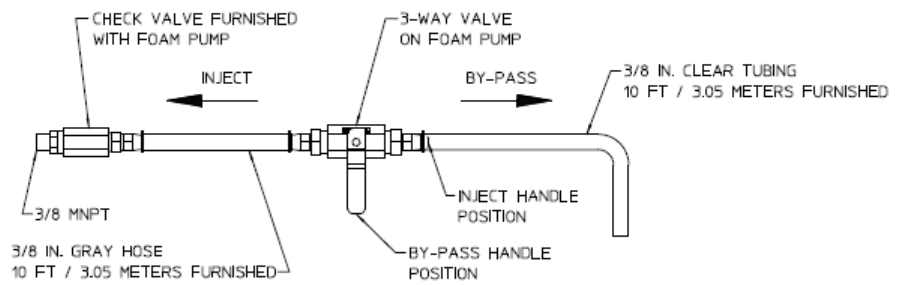
OPTIONAL PANEL MOUNTED FOAM LINE STRAINER

NO. 10 MESH, INCLUDES CAP AND CHAIN  
 ORDER PART NO. Q-2450011

ALL DIMENSIONS SHOWN AS INCH/MILLIMETER  
 ( INCH )  
 ( MILLIMETER )



OPTIONAL FOAM SUPPLY HOSE KIT  
ORDER PART NO. 83430-1C

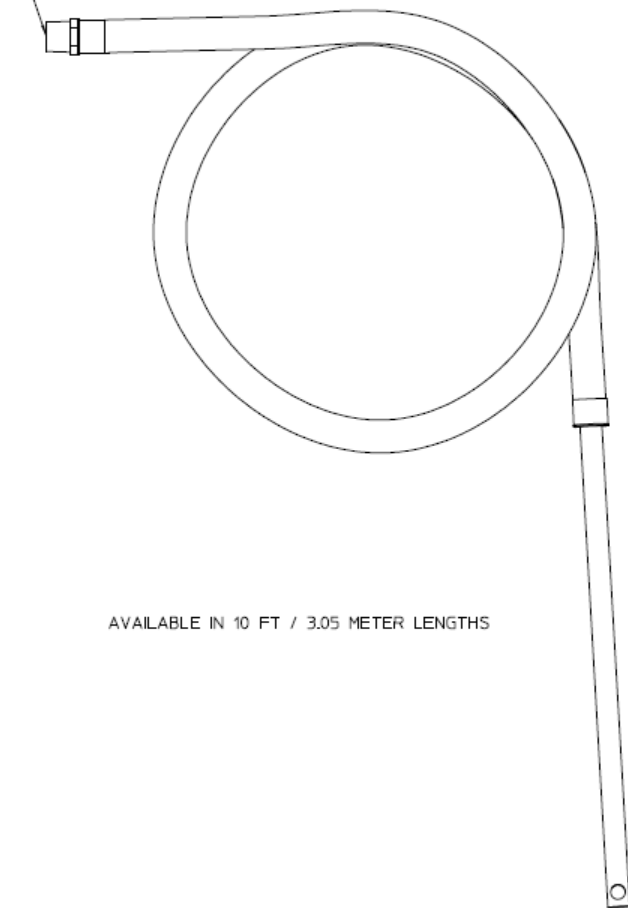


OPTIONAL FOAM INJECTION / BY-PASS HOSE KIT  
ORDER PART NO. 83430-2A

ALL DIMENSIONS SHOWN AS INCH/MILLIMETER  
( $\frac{\text{INCH}}{\text{MILLIMETER}}$ )



3/4 MNPT ON 3/4 HOSE  
1 MNPT ON 1 HOSE

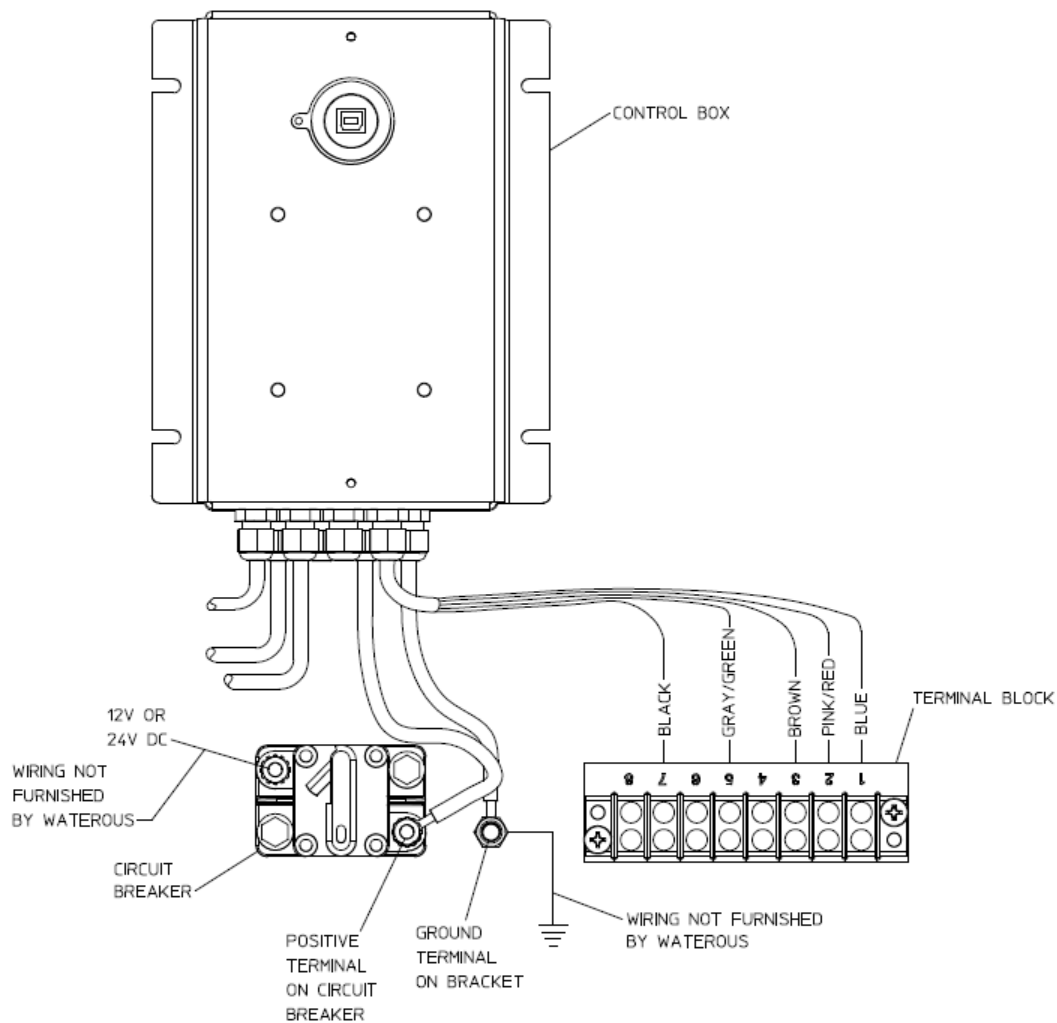


AVAILABLE IN 10 FT / 3.05 METER LENGTHS

OPTIONAL FOAM PICK UP HOSES

ORDER PART NO:  
3/4 IN. HOSE - 0-0308048  
1 IN. HOSE - 0-0308059

FOAM PUMP WITH COVER REMOVED



ELECTRICAL CONNECTIONS  
FOAM PUMP POWER