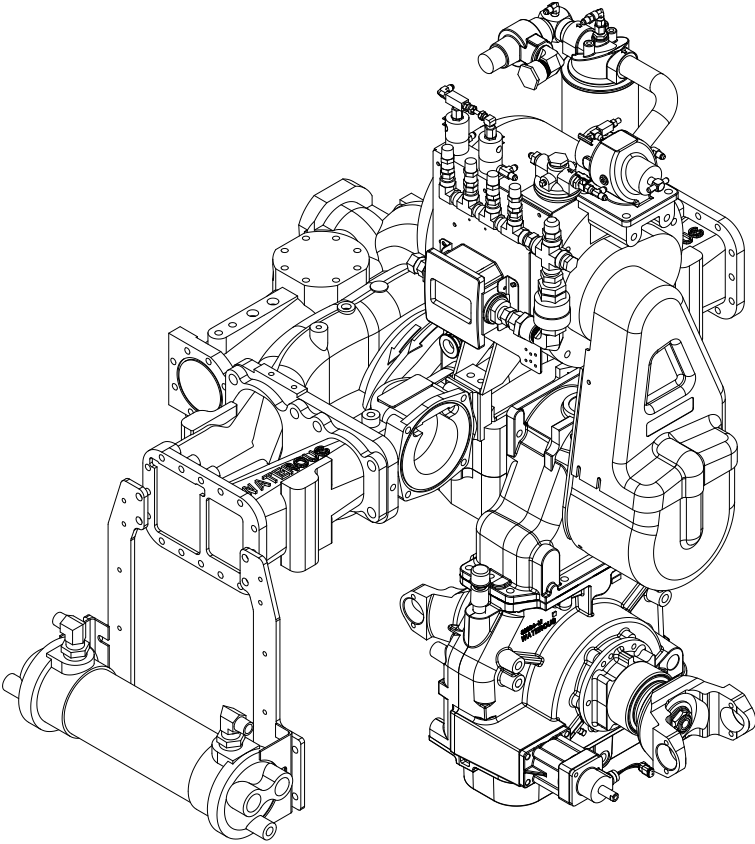


## Eclipse CAF System As used with CM and CS Series Fire Pumps



**Available with the Following Pumps:**

CMU, CS and CSU Series, Not available with CMU Series

**Standard Components:**

Mounted on Pump:

- Compressor, Separator Filter, Auto-Sync,  
Balance Valve, Oil Cooler, Oil Filter .....2

Shipped Loose:

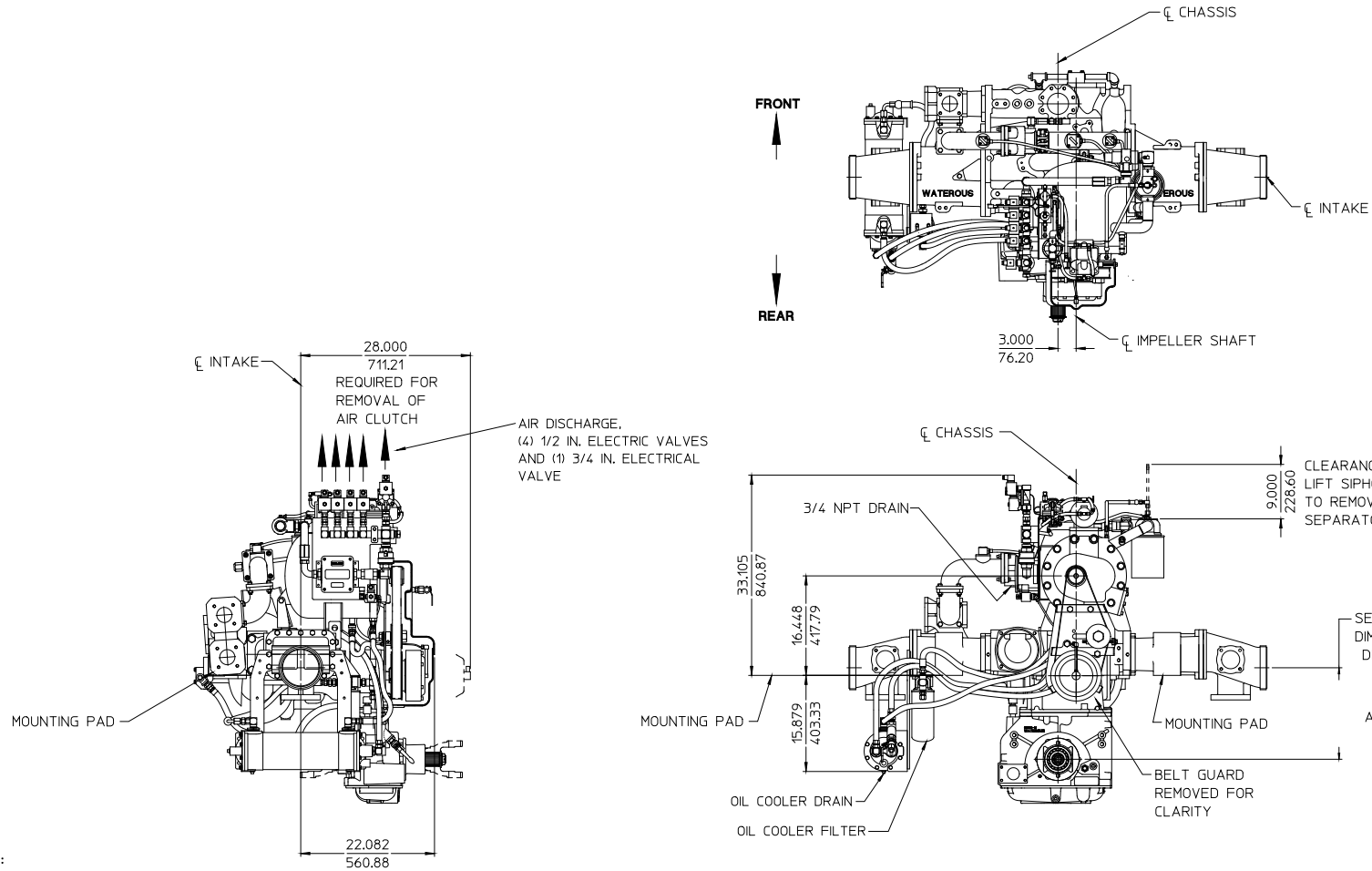
- Auto-Sync Panel Plates .....3
- Air Flow Meter Panel .....3
- Air Filter .....4
- Oil Temperature Gauge .....4

**CAF Discharge:**

- Air Discharge Check Valve Kits .....See DPL83477
- ICS Valves .....See DPL83478
- Static Mixers .....See DPL83603
- Manifolds .....See DPL83682

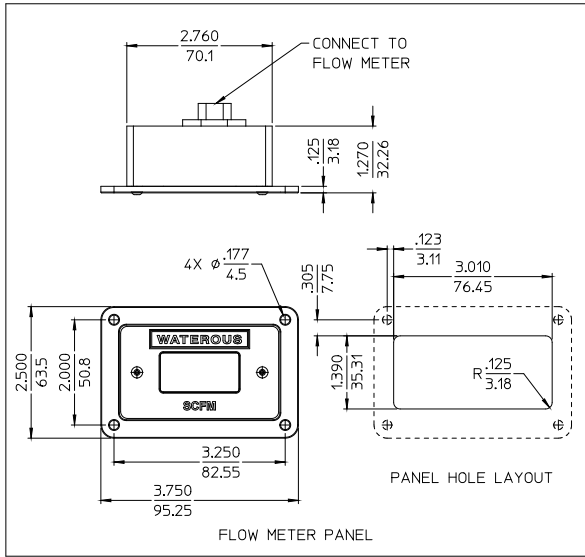
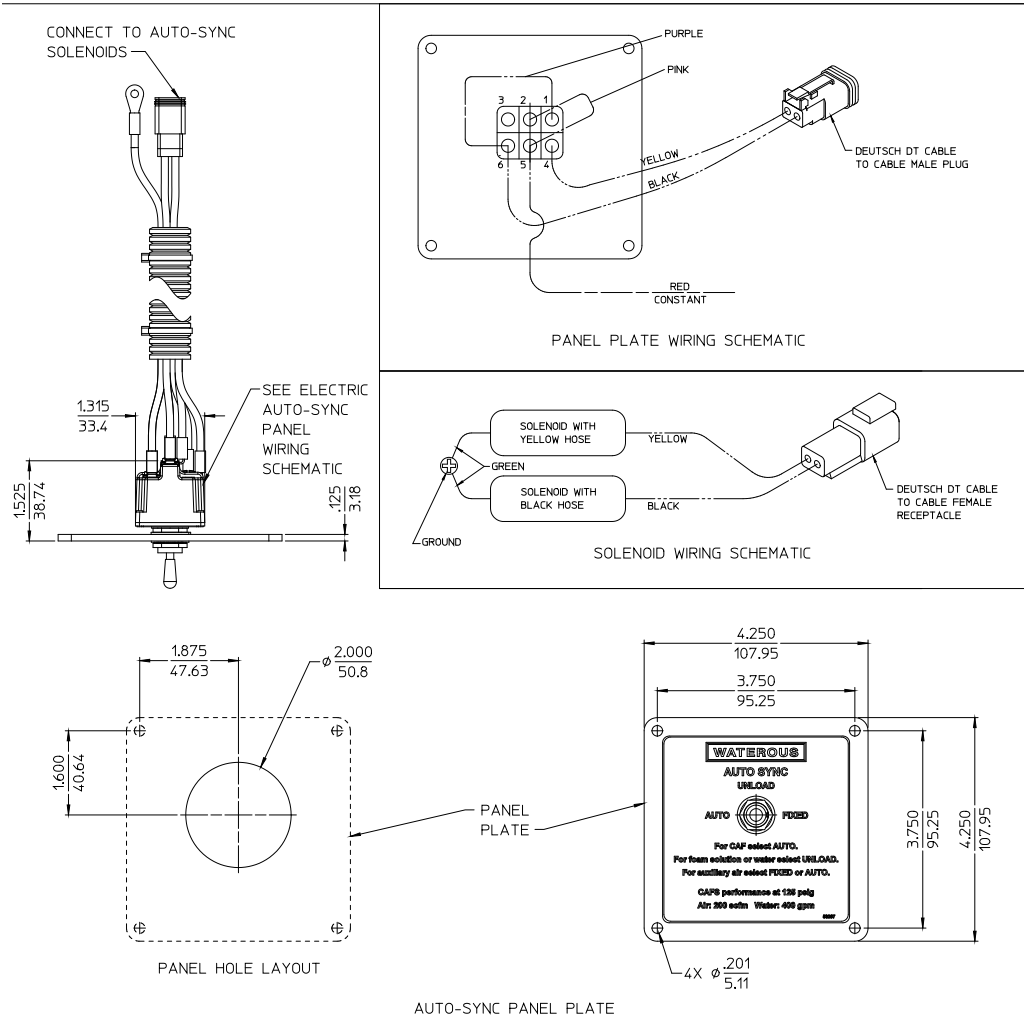
**Foam Pumps:**

Aquis 1.5, Aquis 3.0 or Aquis 6.0 .....See F-1031-2447



- NOTES:
- SEE DRAWING DPL82843 FOR CM SERIES FIRE PUMP DIMENSIONAL.
  - SEE DRAWING DPL82791 FOR CS SERIES FIRE PUMP DIMENSIONAL.
  - LEFT SIDE PUMP MOUNTED RELIEF VALVE NOT AVAILABLE.

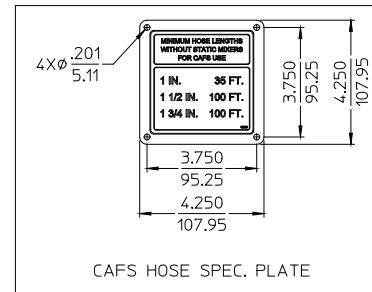
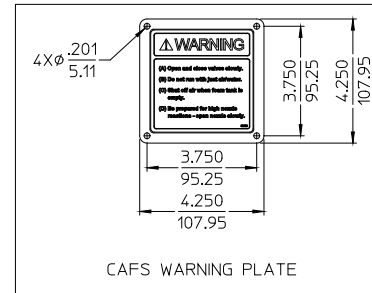
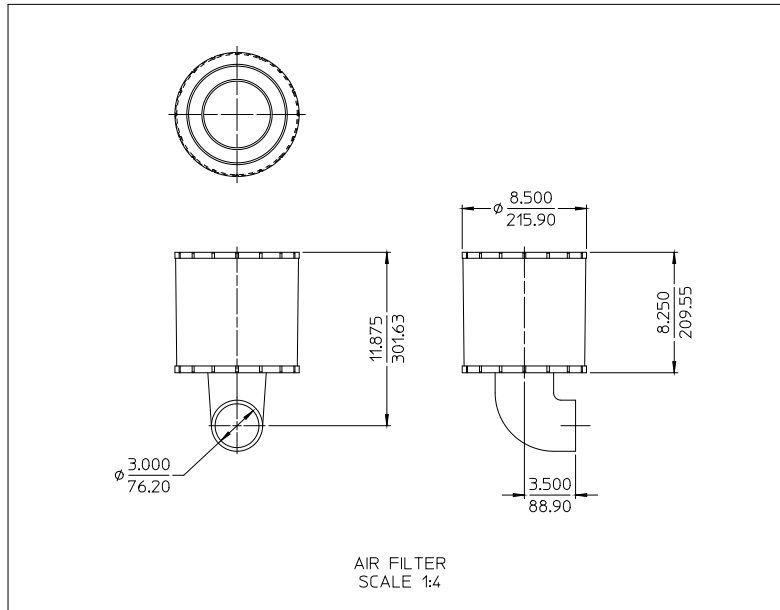
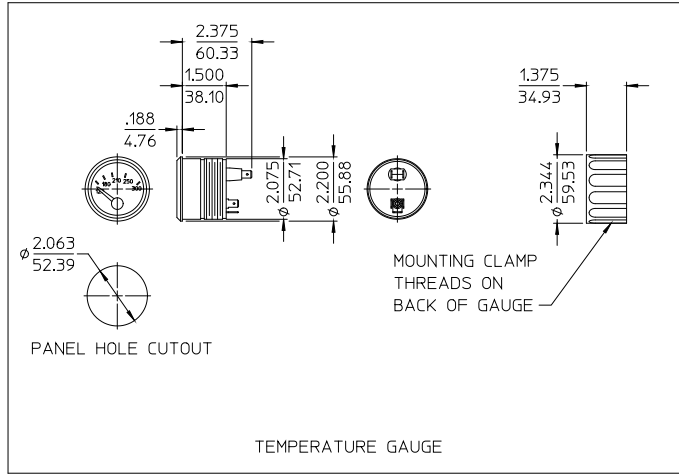
**COMPONENTS MOUNTED ON PUMP**



ALL DIMENSIONS SHOWN AS INCH/MILLIMETER

( INCH )  
( MILLIMETER )

COMPONENTS SHIPPED LOOSE



ALL DIMENSIONS SHOWN  
AS INCH/MILLIMETER  
( INCH )  
( MILLIMETER )

COMPONENTS SHIPPED LOOSE