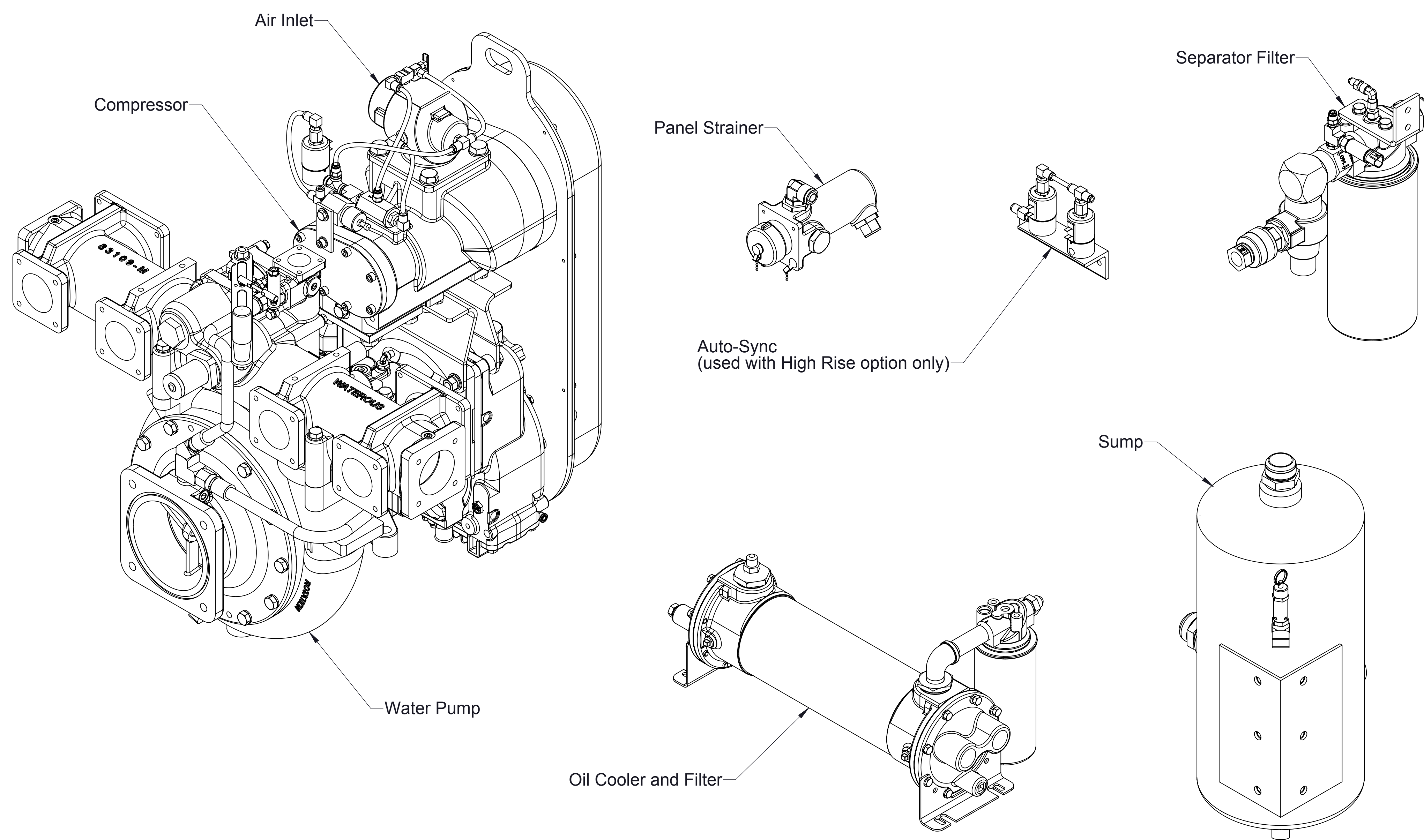
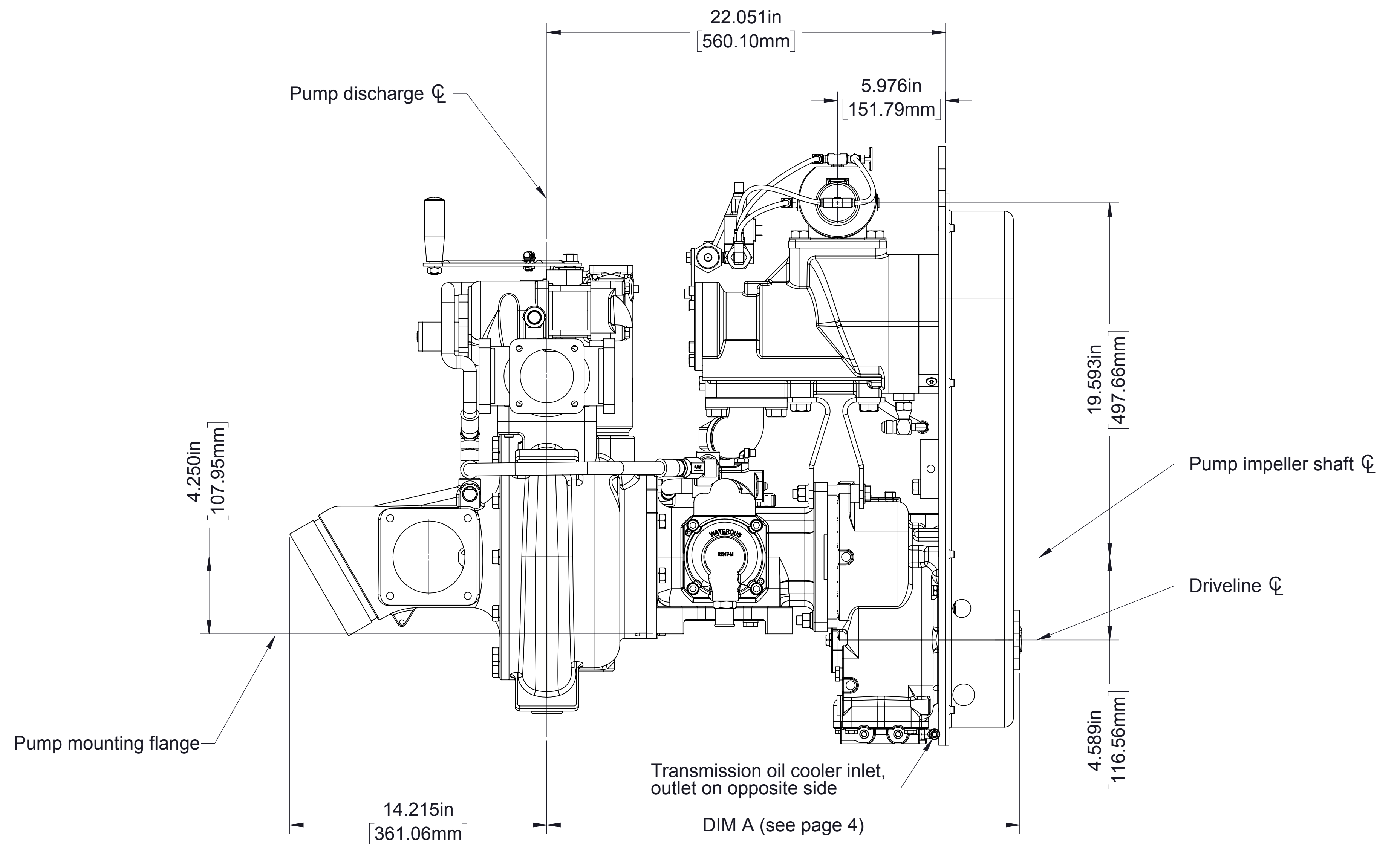
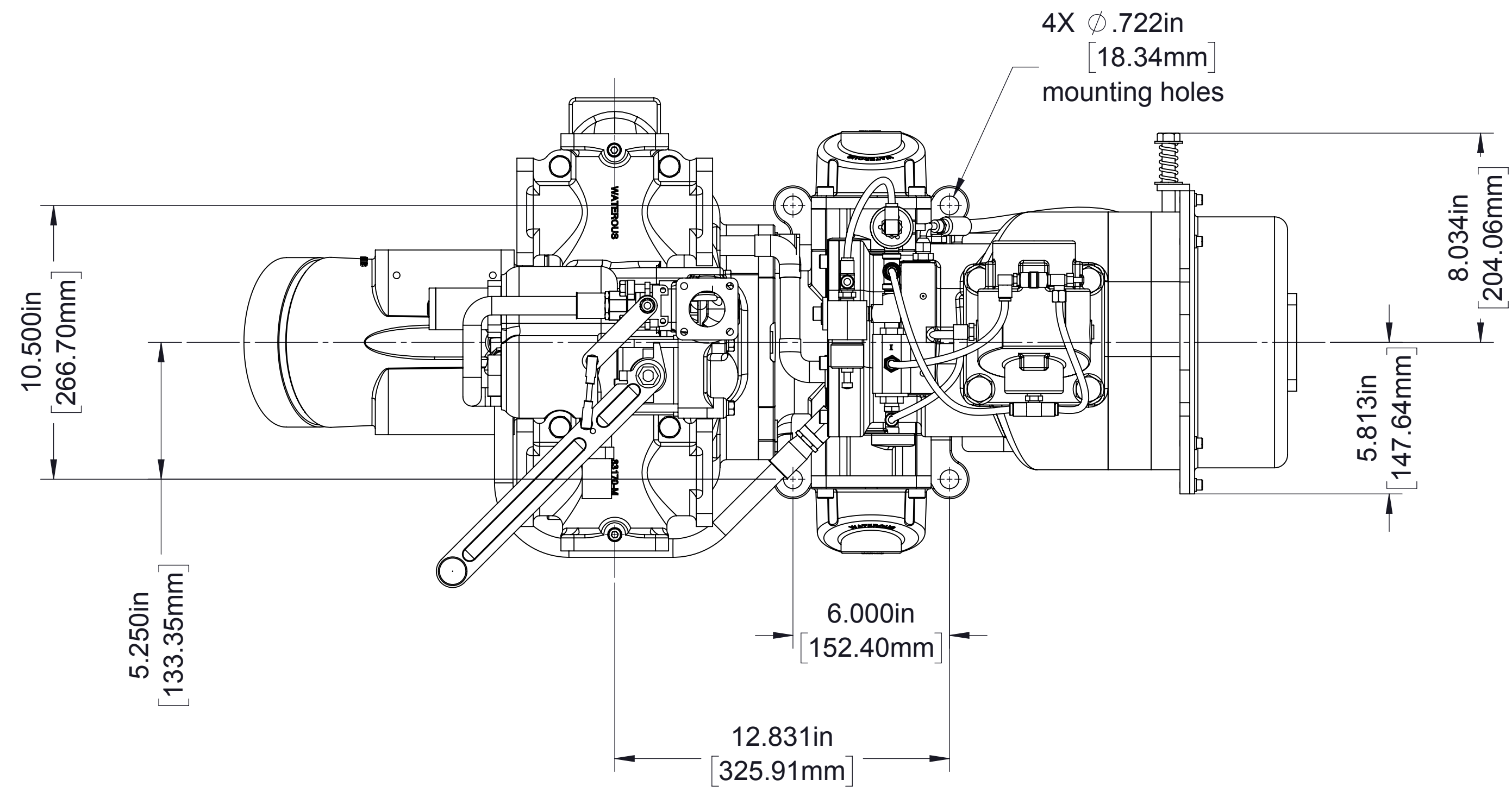
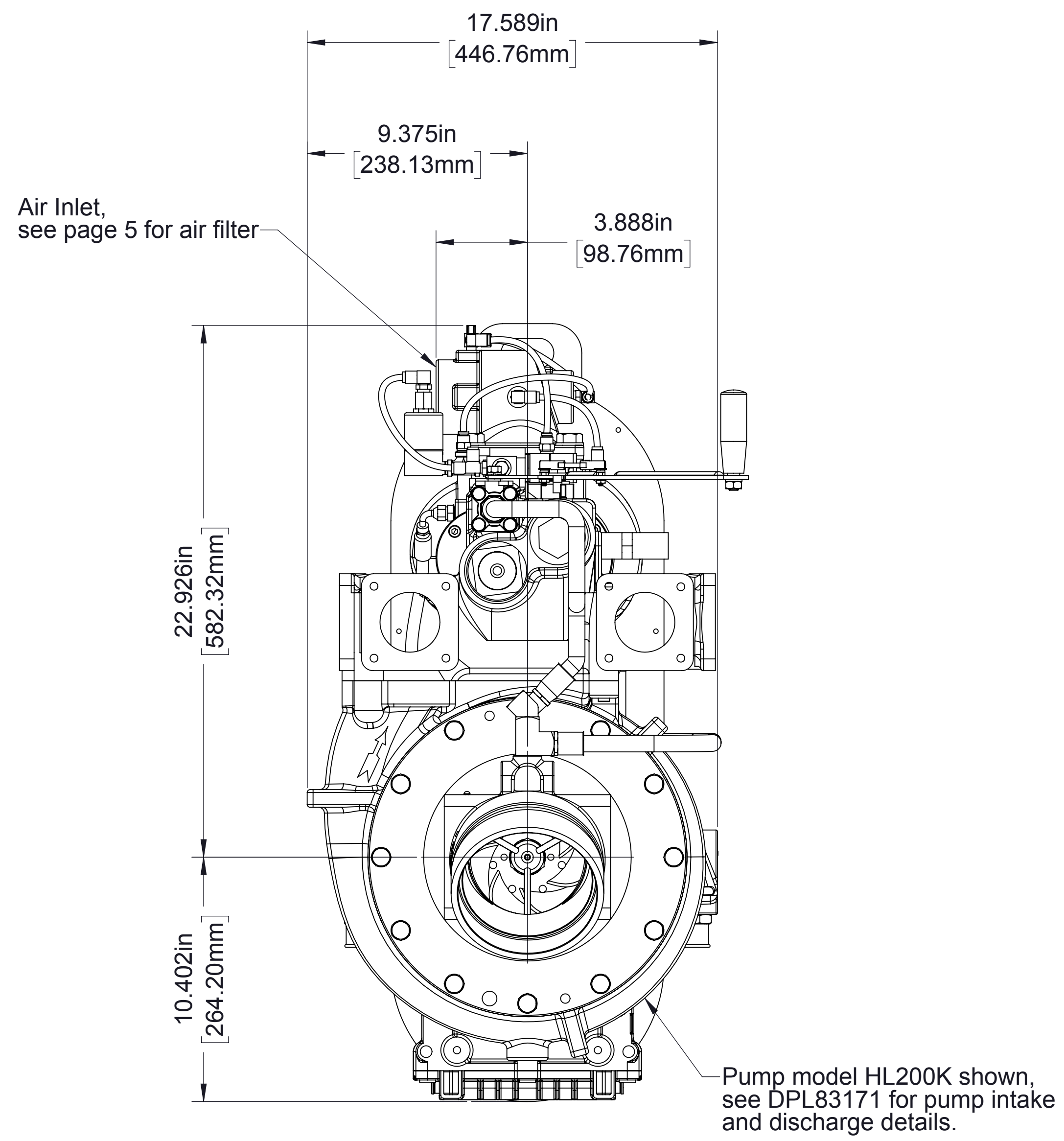


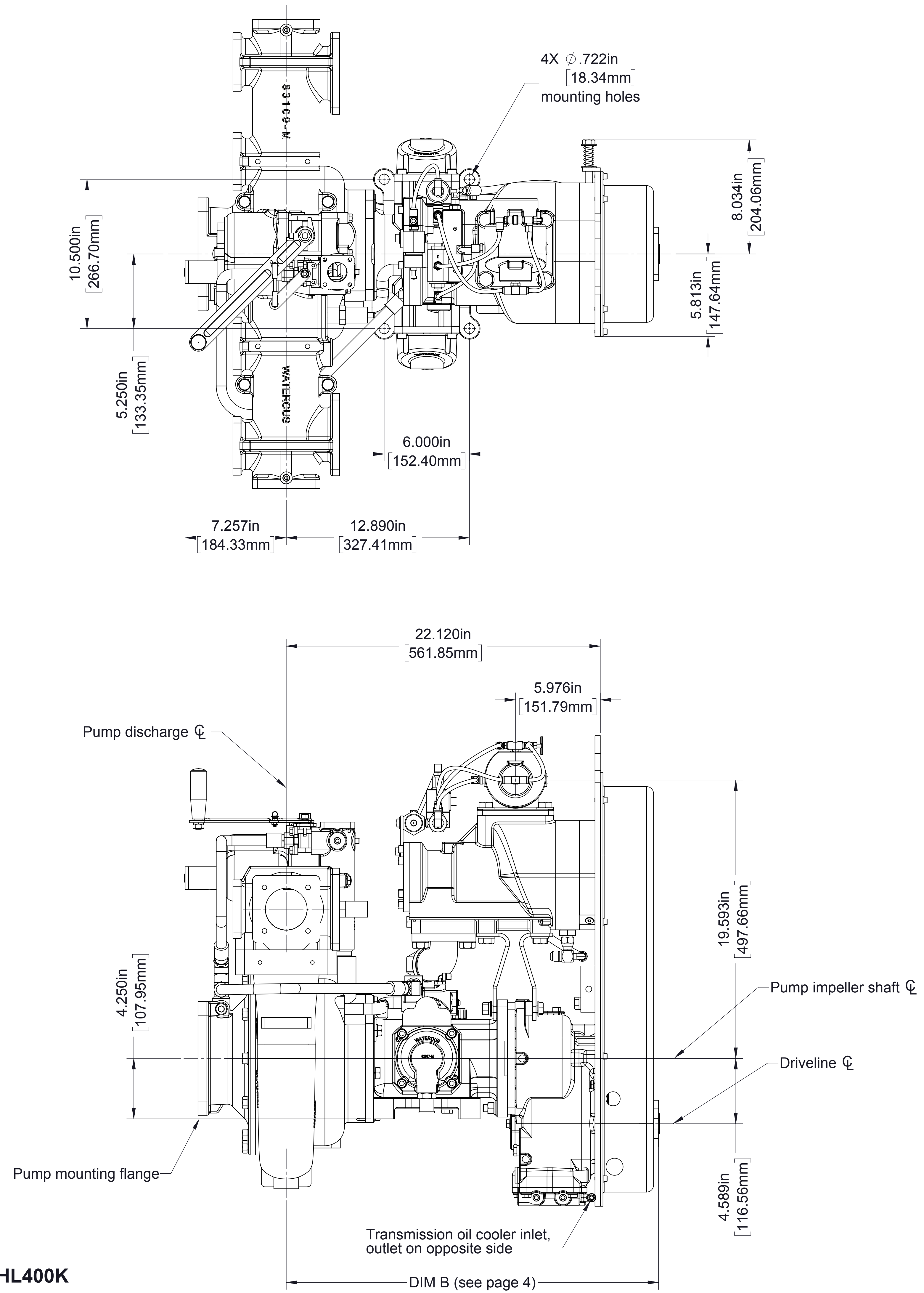
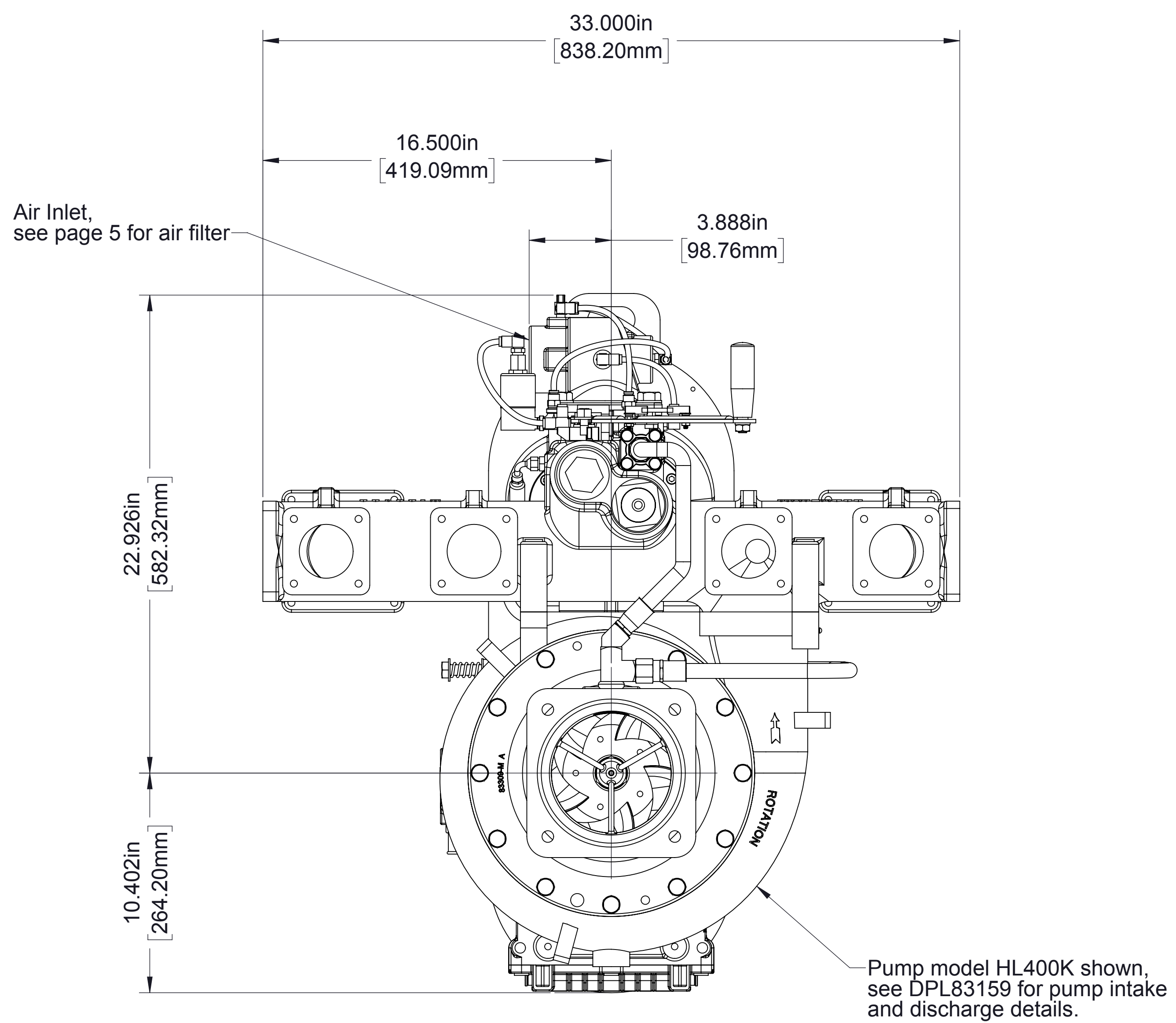
Model 150-ECL Eclipse GEN 2.0 CAF System Dimensional Drawings As used with HL series Fire Pumps



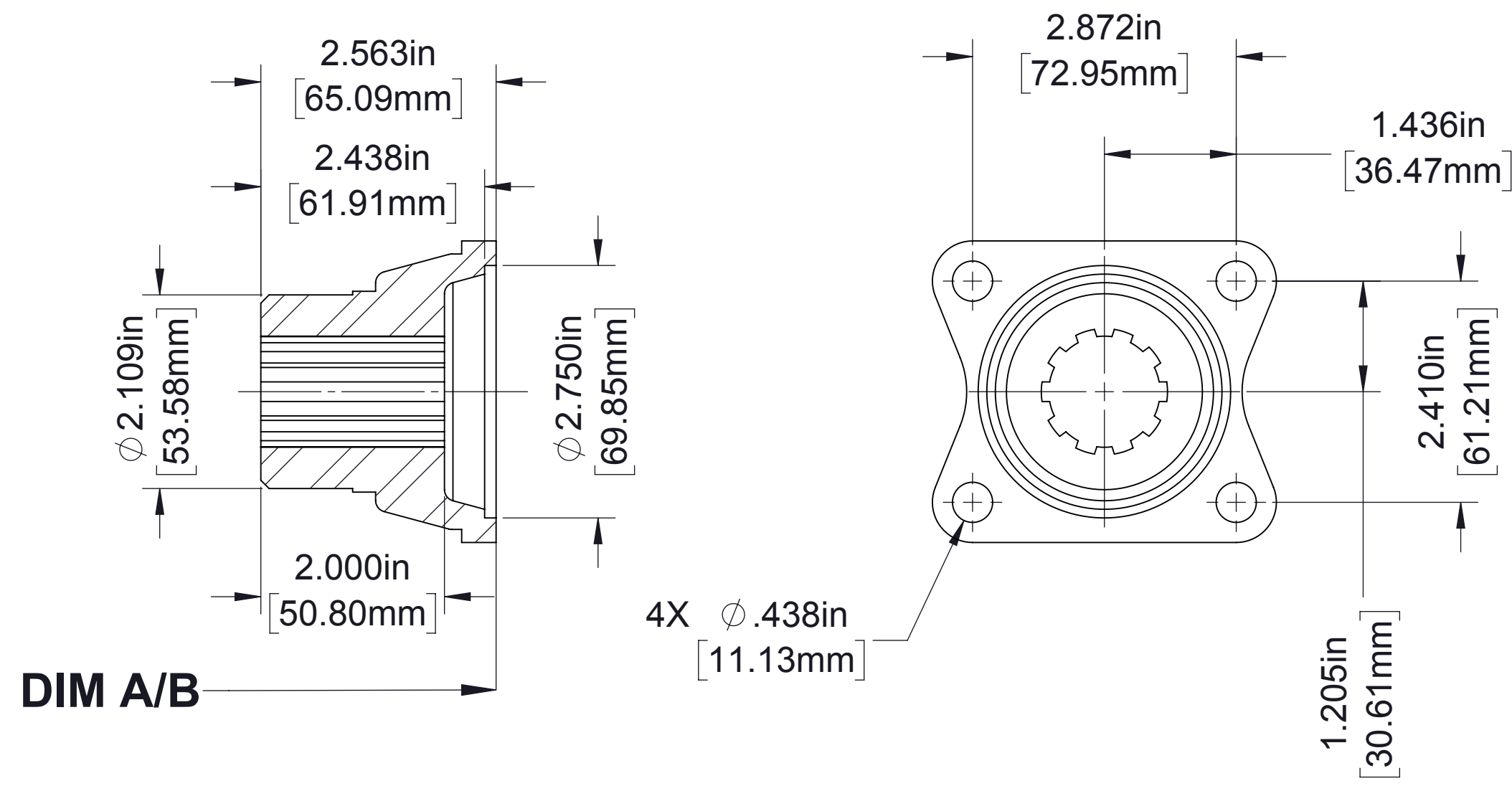
Standard Components:	Page
• Compressor and Pump:	
• Model HL200K, HL300K	2
• Model HL400K	3
• Companion Flanges and End Yokes	4
• Air Filter	5
• Panel Plates	5
• Sump (Oil Reservoir)	6
• Separator Filter	7
• Oil Cooler and Filter	8
• Panel Strainer	8
• Auto-Sync (High Rise Option Only)	9
Foam Pumps:	
• Models Aquis 3.0 or 6.0	See F-1031-2447
• Foam Generators (CAF Discharge)	See DPL83637
Optional Components:	
• Auxiliary Air Connection	10
• Oil Inject Check Valve	See DPL83810
• Hose and Fitting Kit	See DPL83810
Schematics:	
• Hydraulic	11
• Air Circuit :	
• Without High Rise Option	12
• With High Rise Option	13
• Electrical	See DPL83637



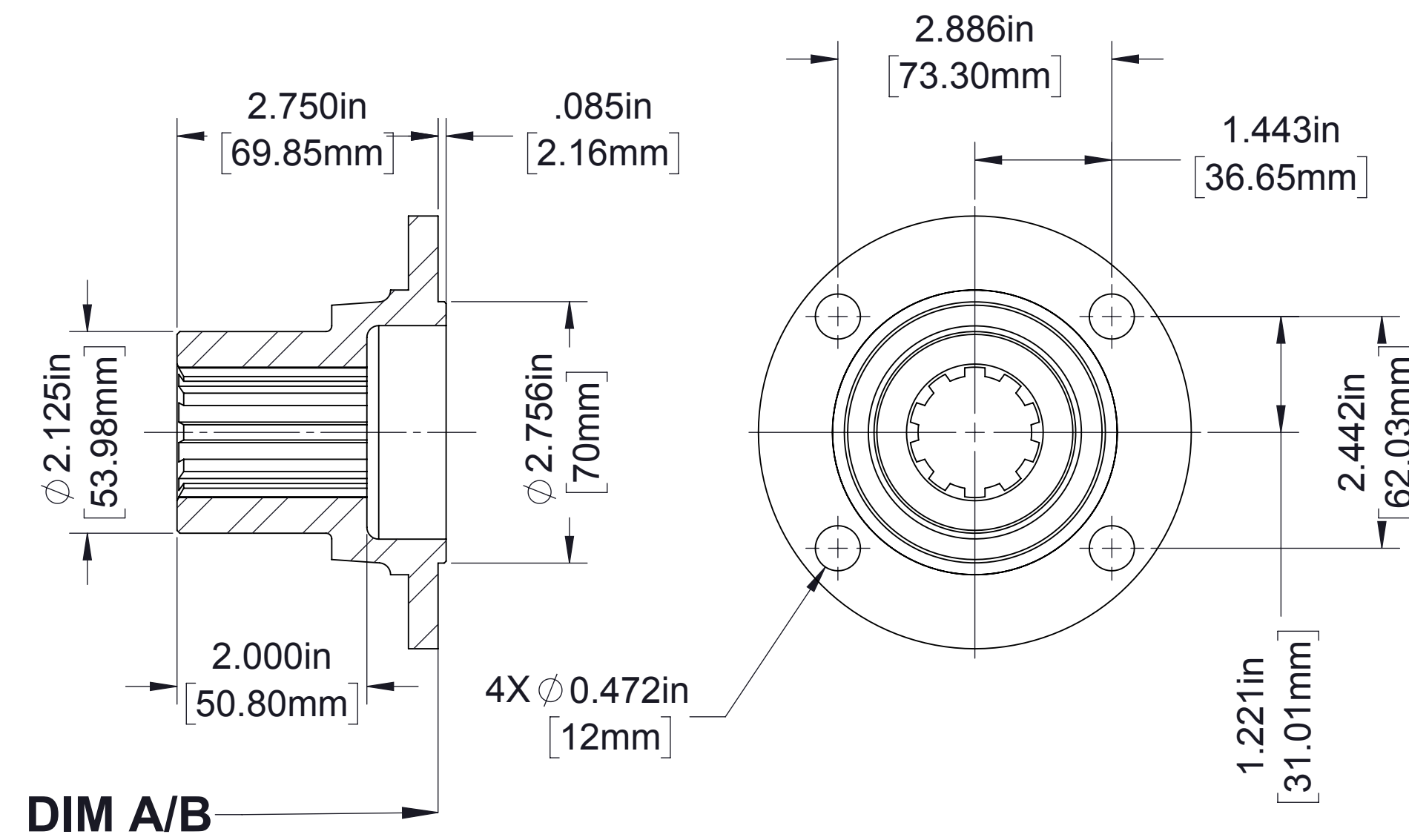
Pump Models HL200K and HL300K



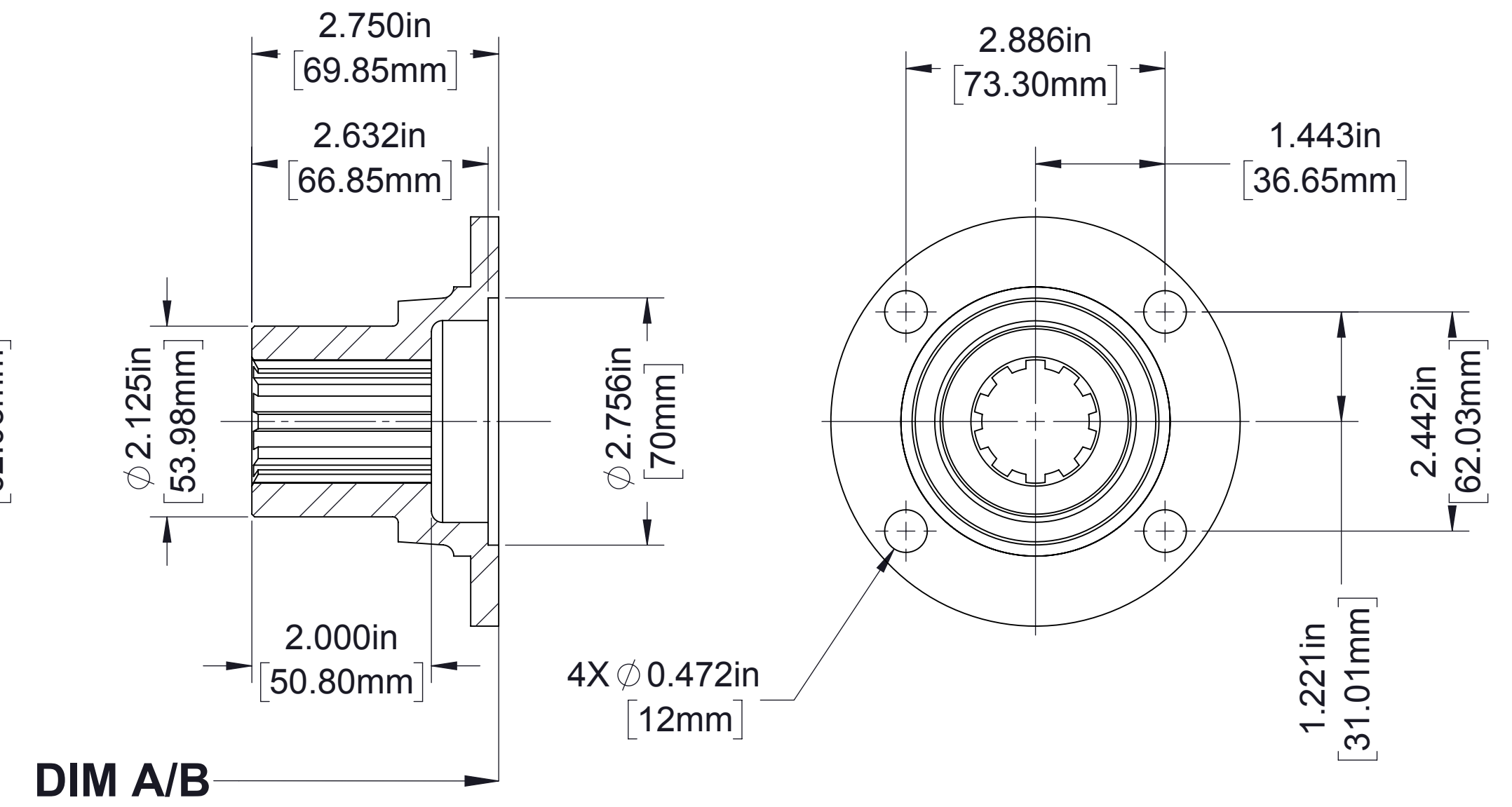
Pump Model HL400K



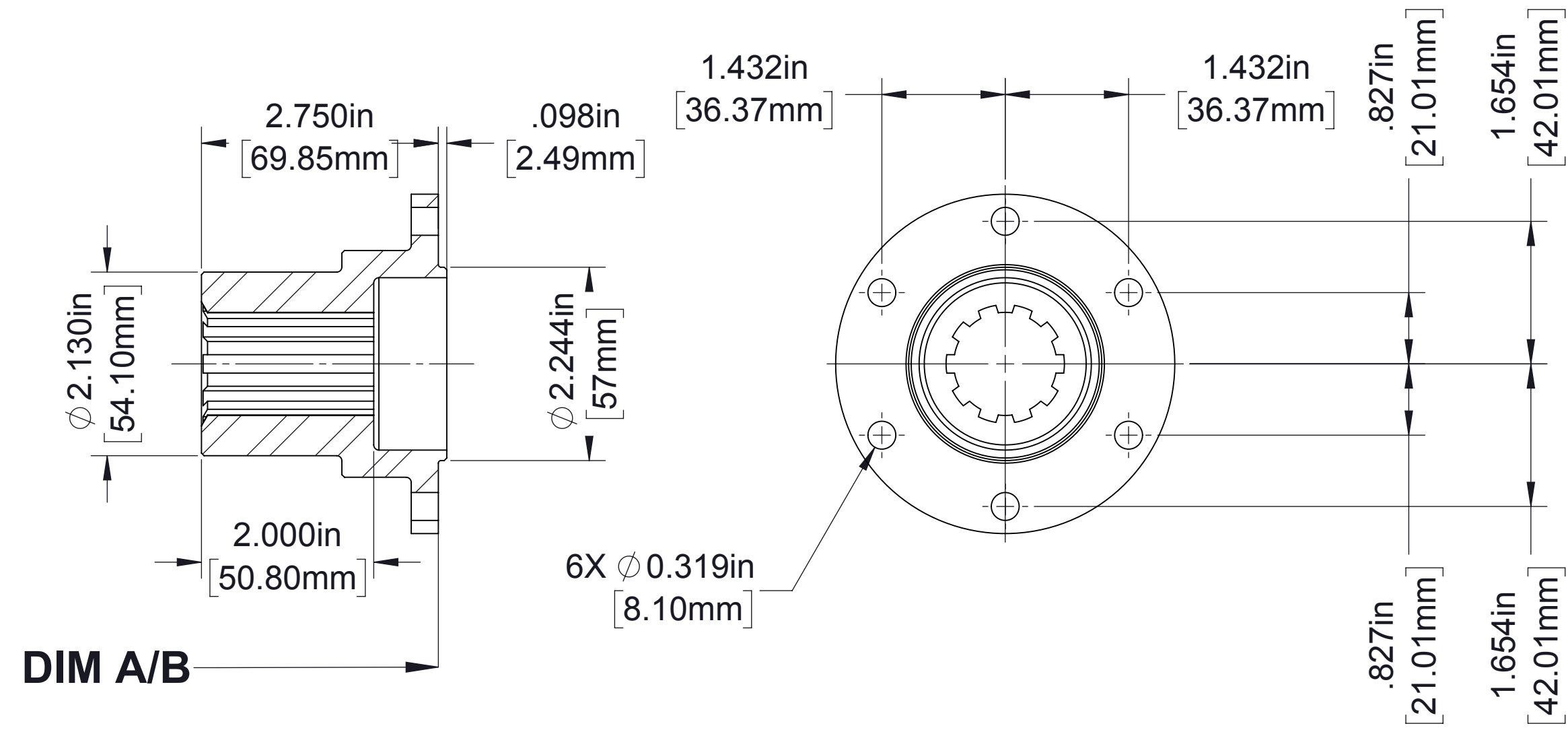
1310/1410, part number V 2593



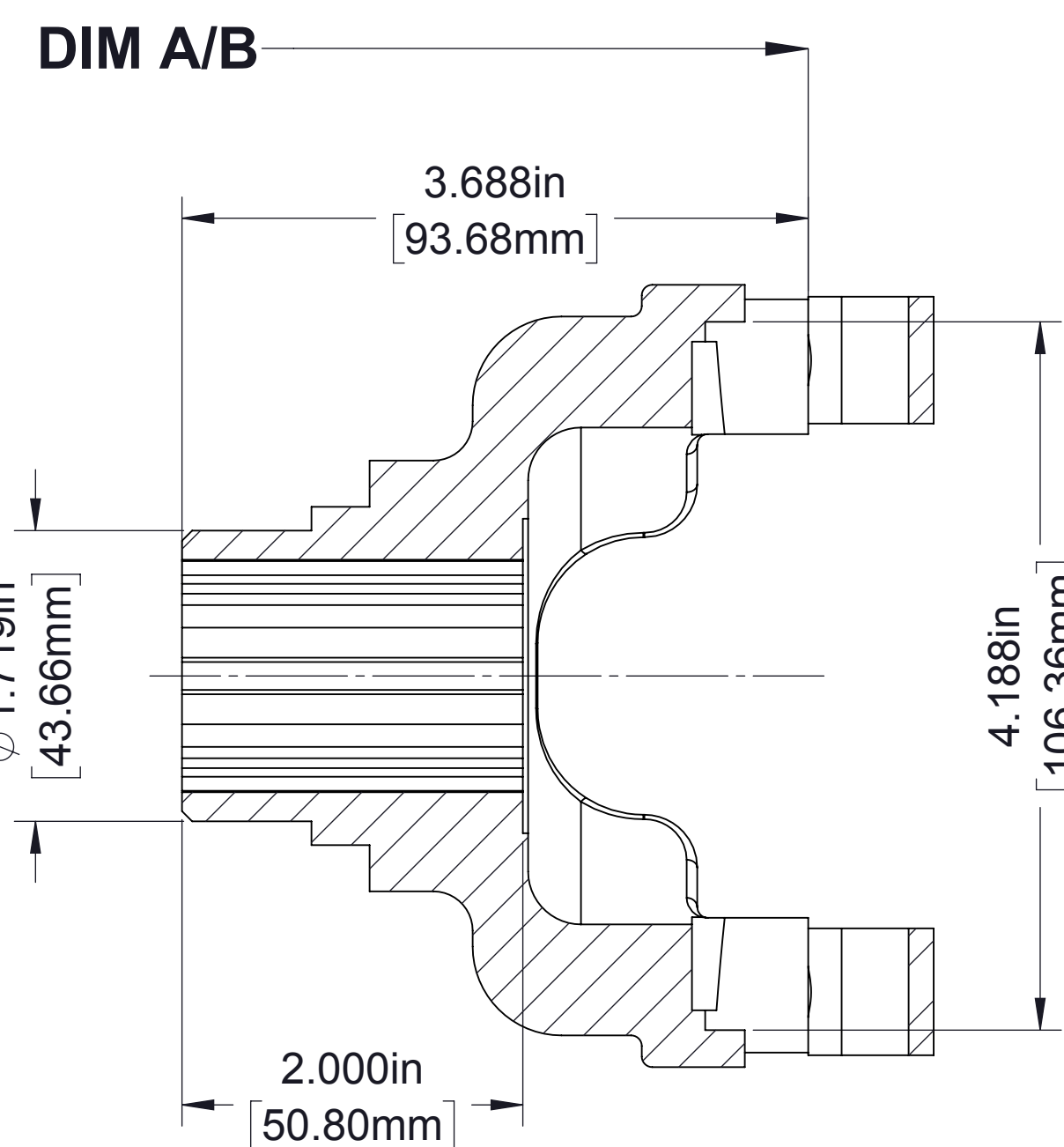
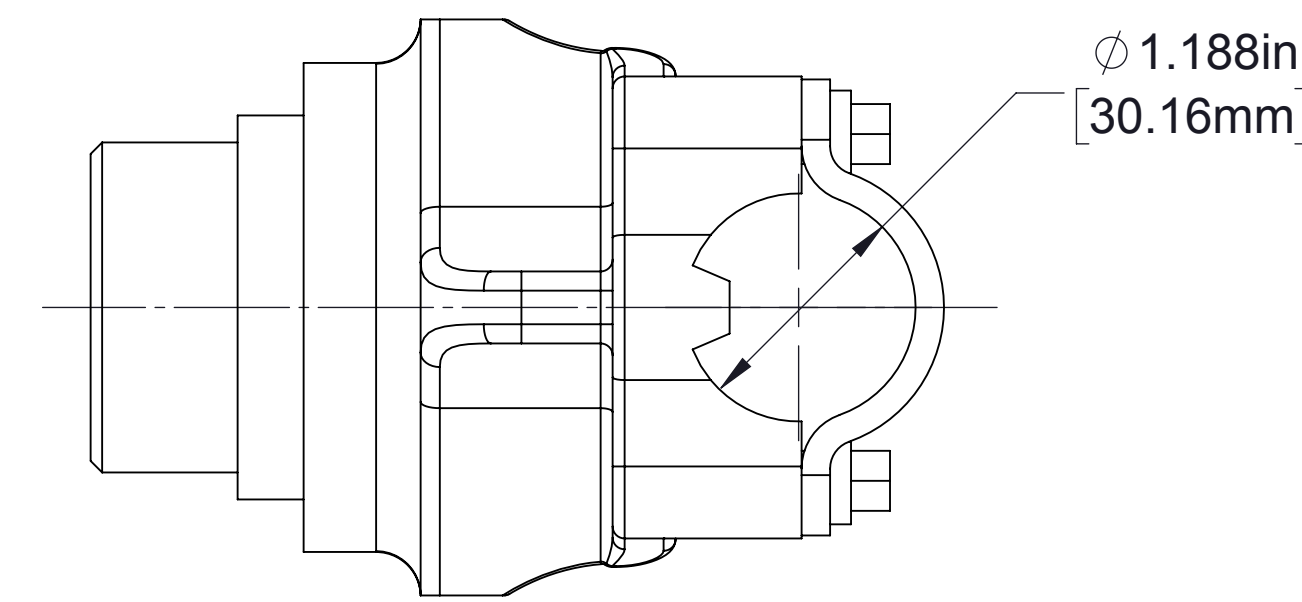
70 mm Male Pilot, part number 73276



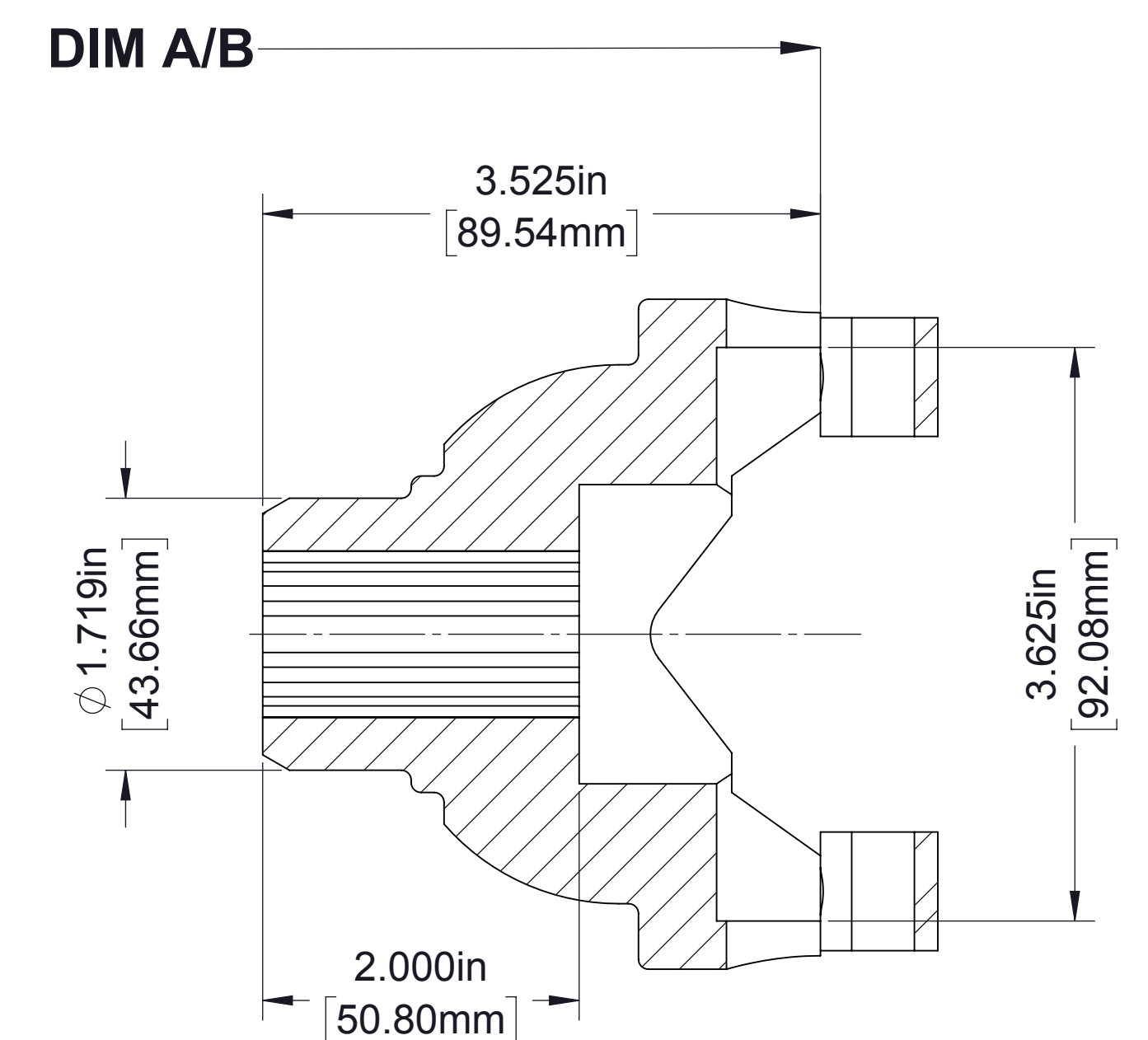
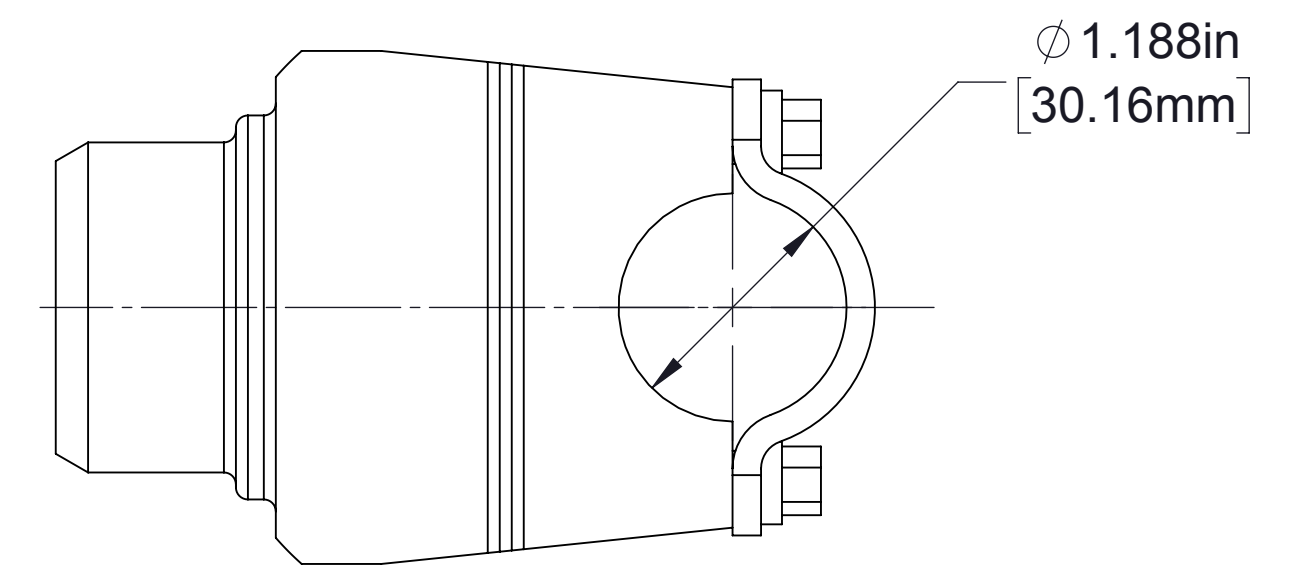
70 mm Female Pilot, part number 73377



DIN 100, part number 73327



1410, part number V 2591

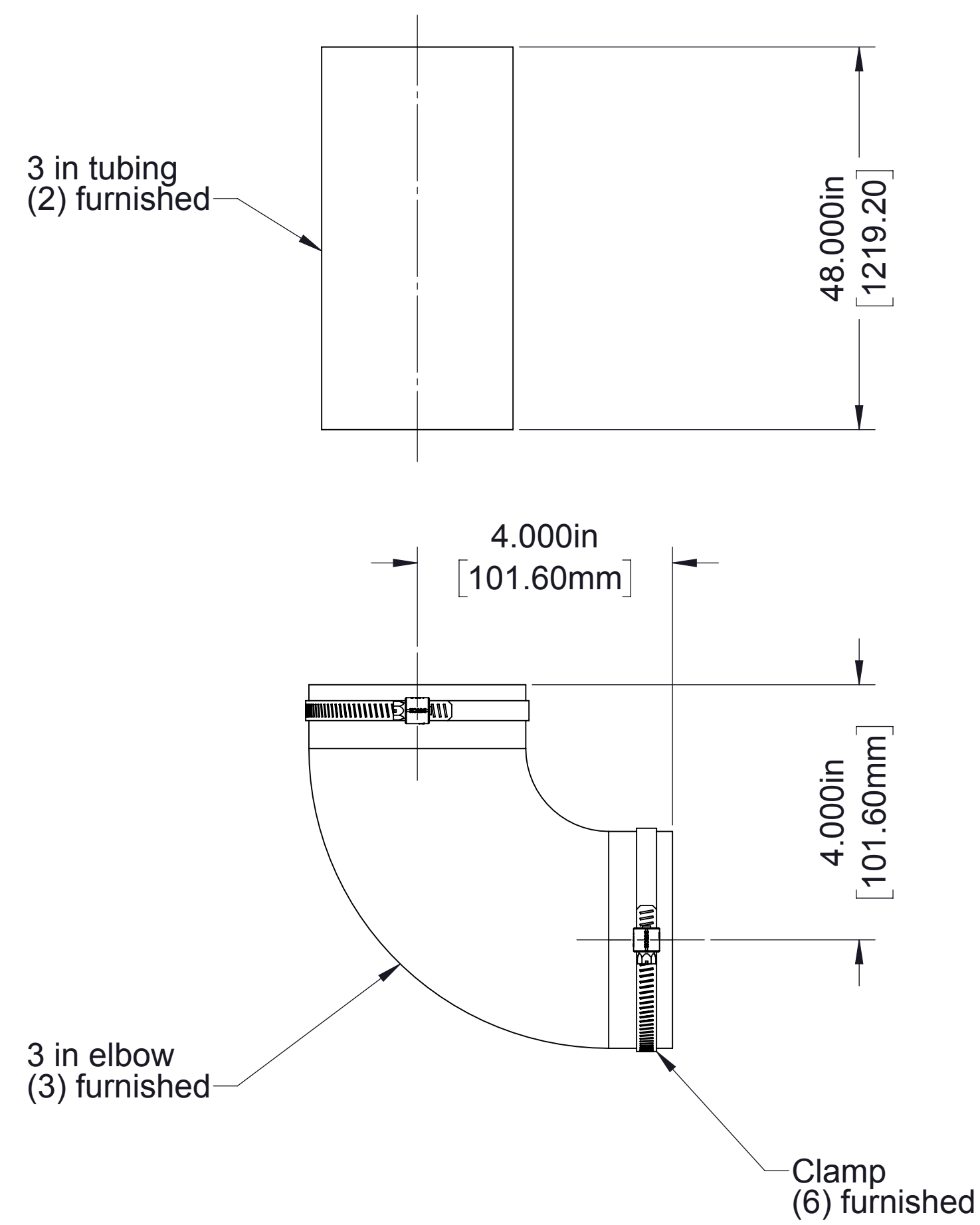
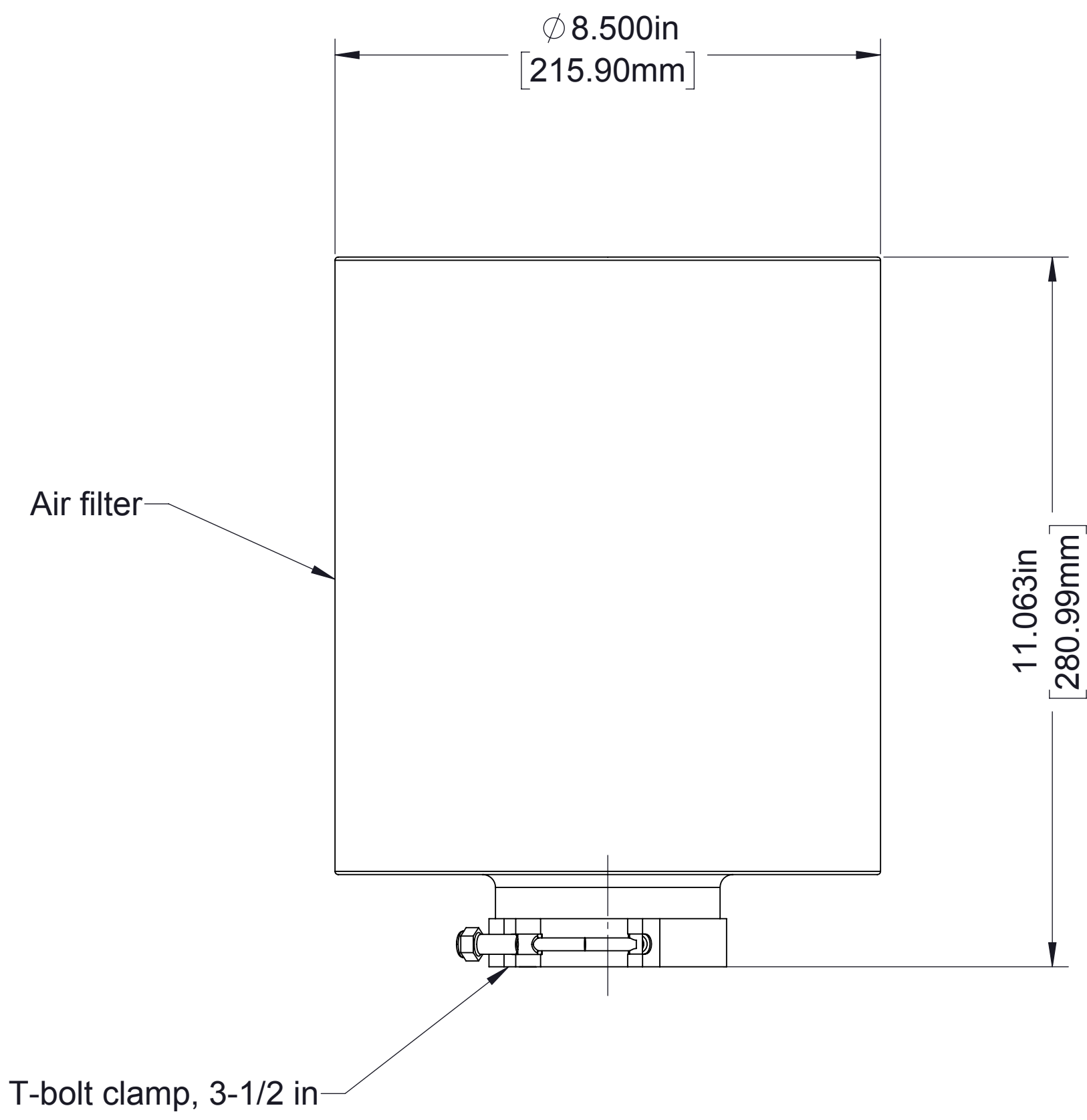


1350, part number V 1641

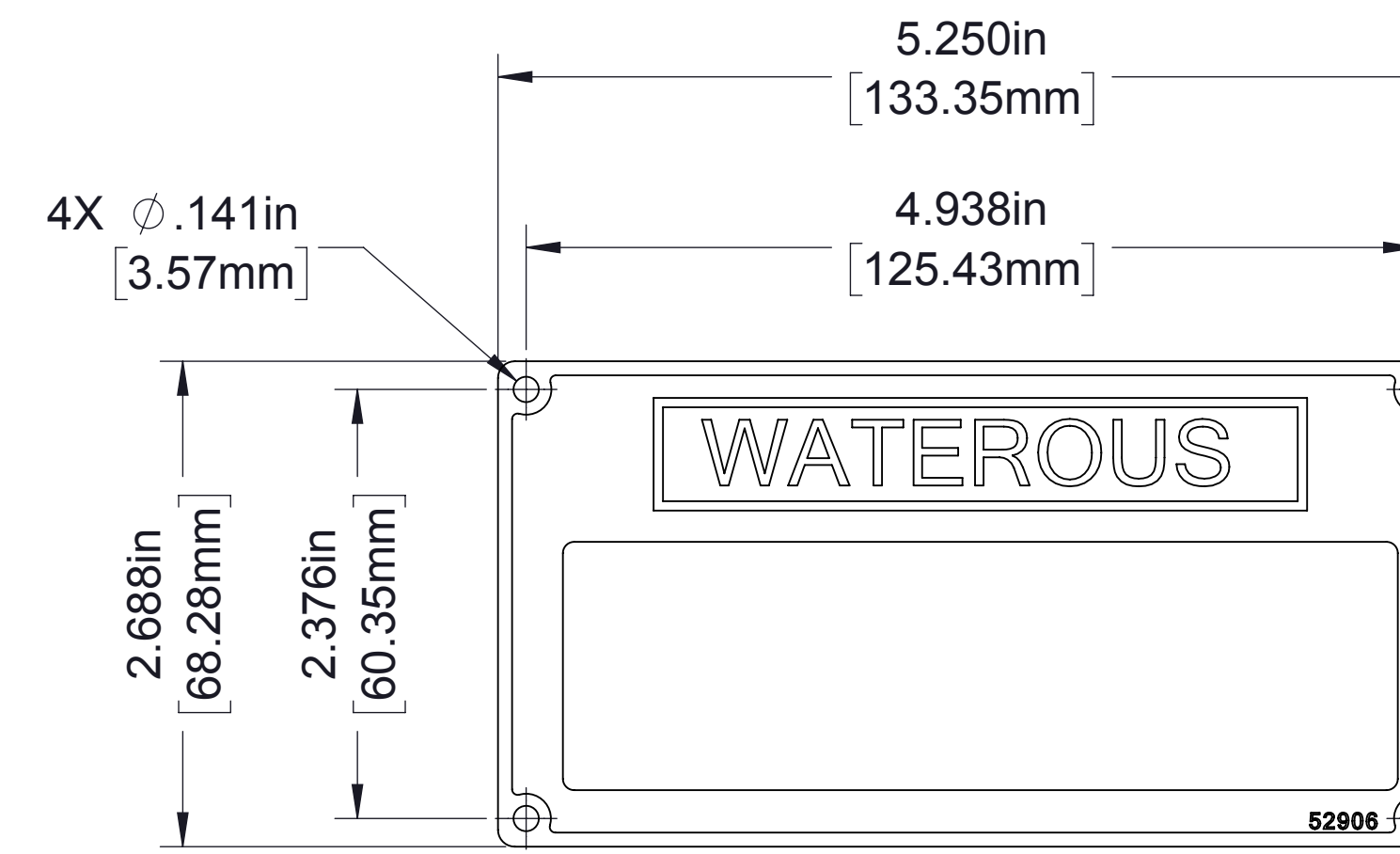
Companion Flange and End Yoke

Type	Series	Part Number	HI200/HL300	HL400
			DIM A	DIM B
Companion Flange	1350/1410	V 2593	26.321/668.55	26.390/670.31
	70 mm Male Pilot	73276	26.509/673.32	26.578/675.07
	70 mm Female Pilot	73377	26.509/673.32	26.578/675.07
	DIN 100	73327	26.509/673.32	26.578/675.07
End Yoke	1350	V 1641	27.283/692.99	27.352/694.74
	1410	V 2591	27.446/697.13	27.515/698.88

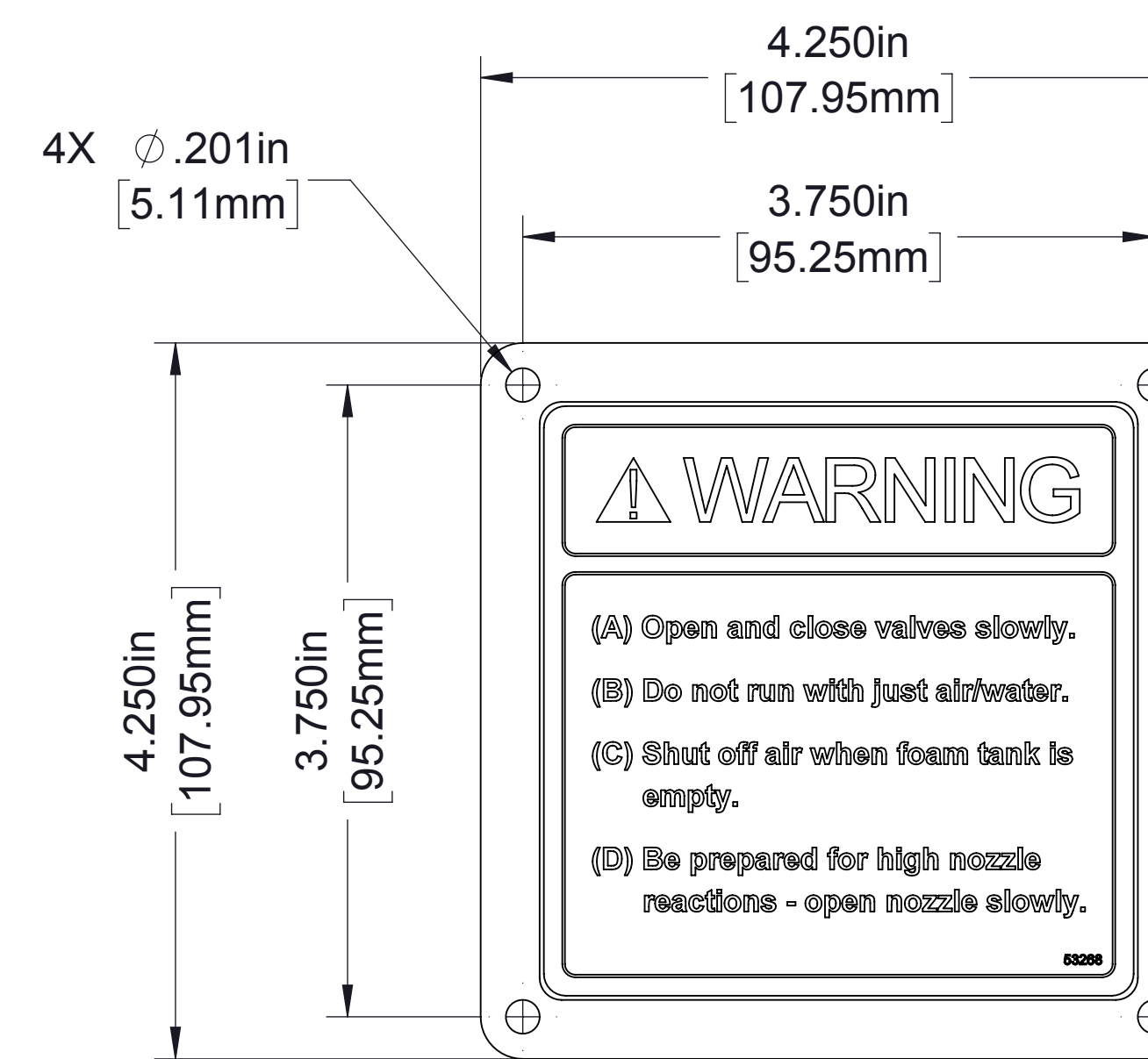
Available Companion Flanges and End Yokes



Air Filter

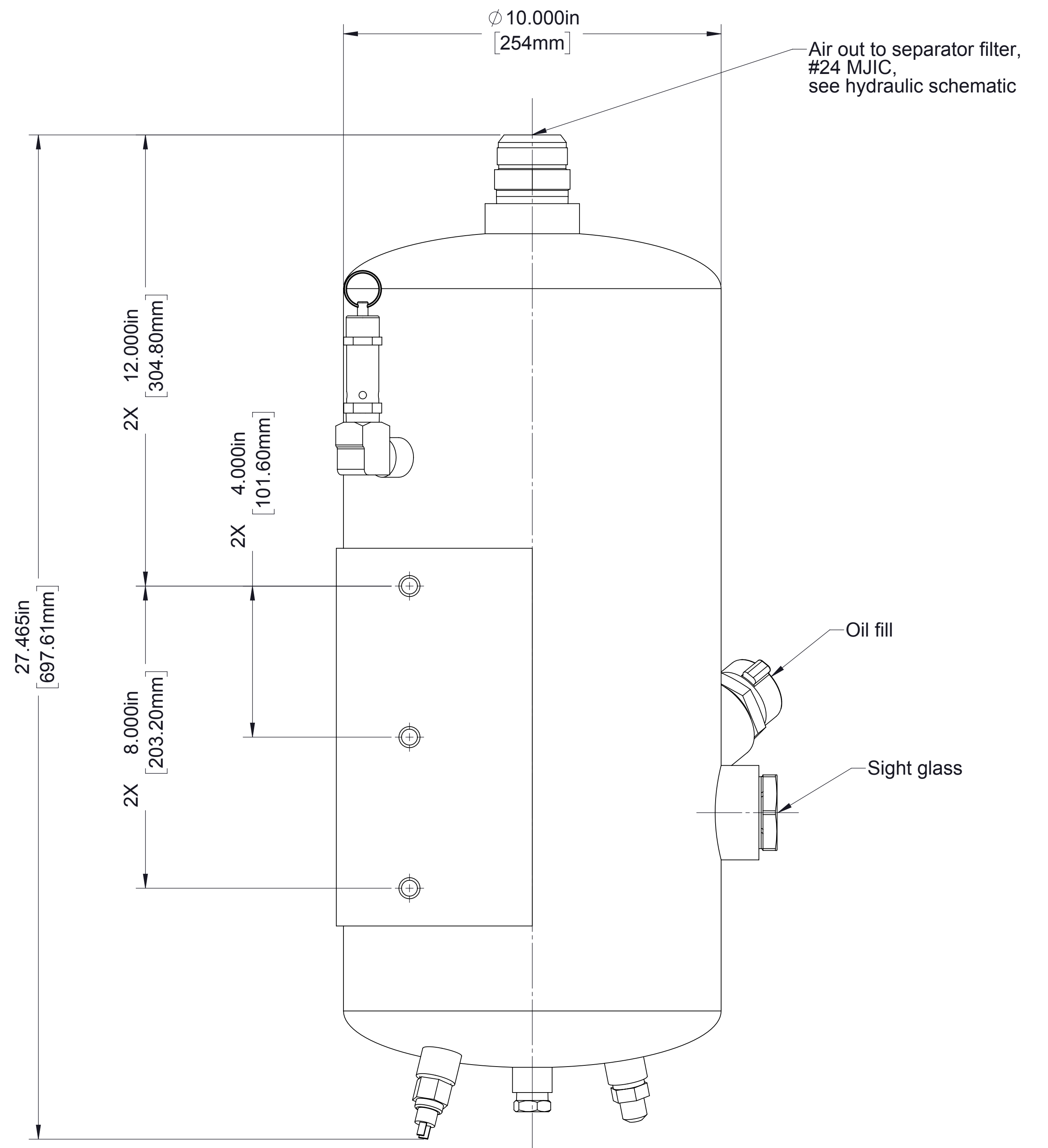
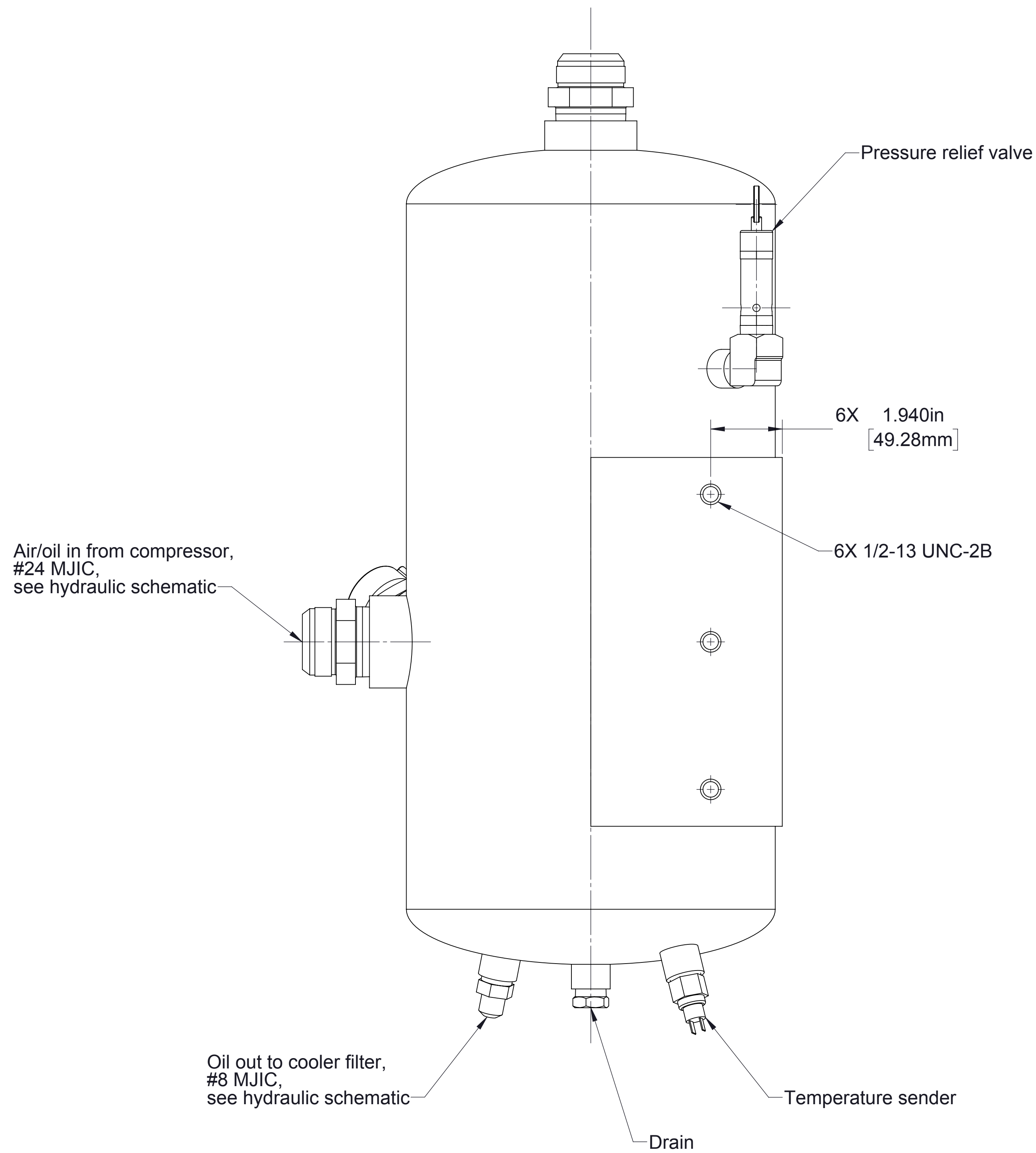
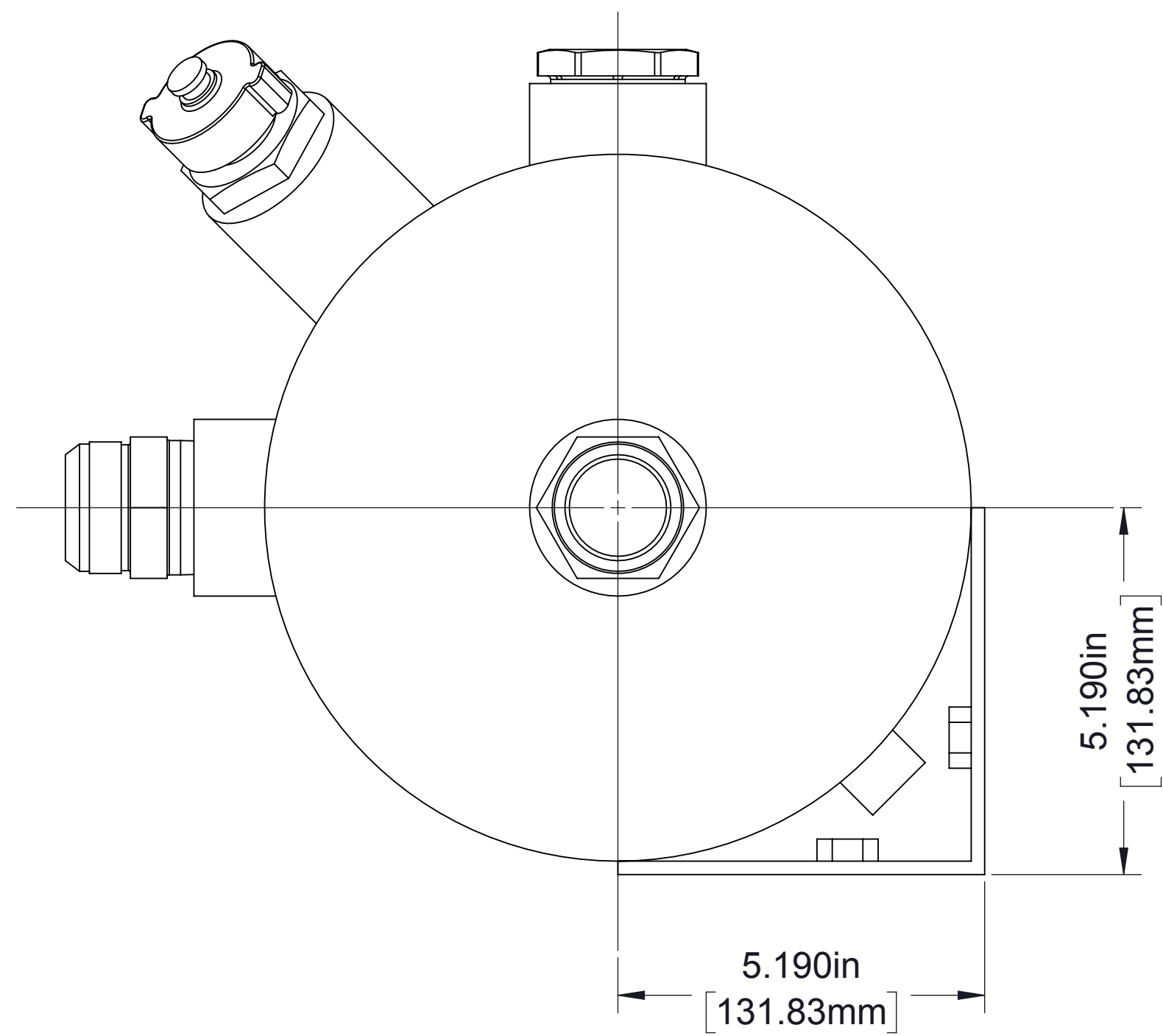


Serial Plate

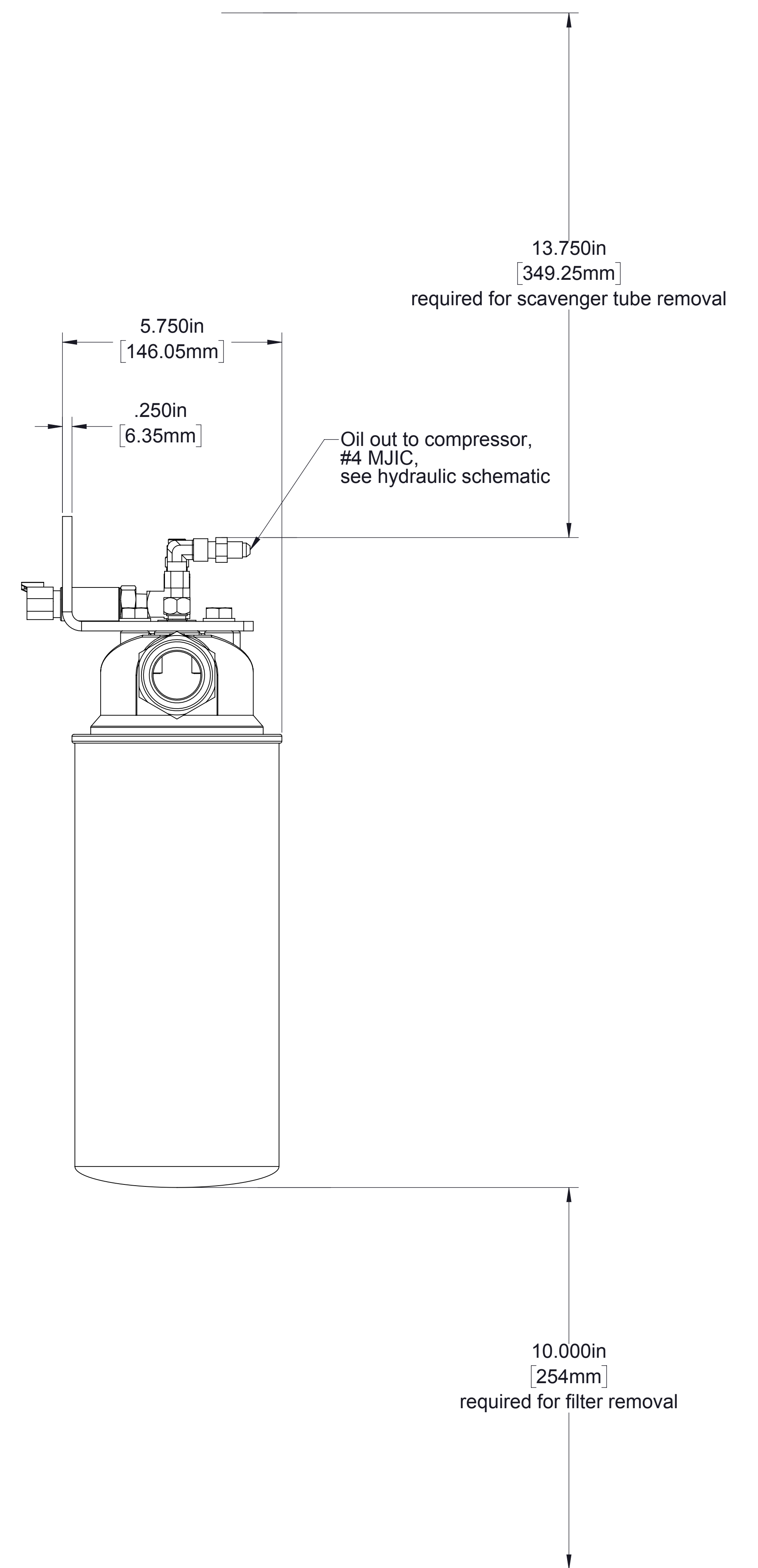
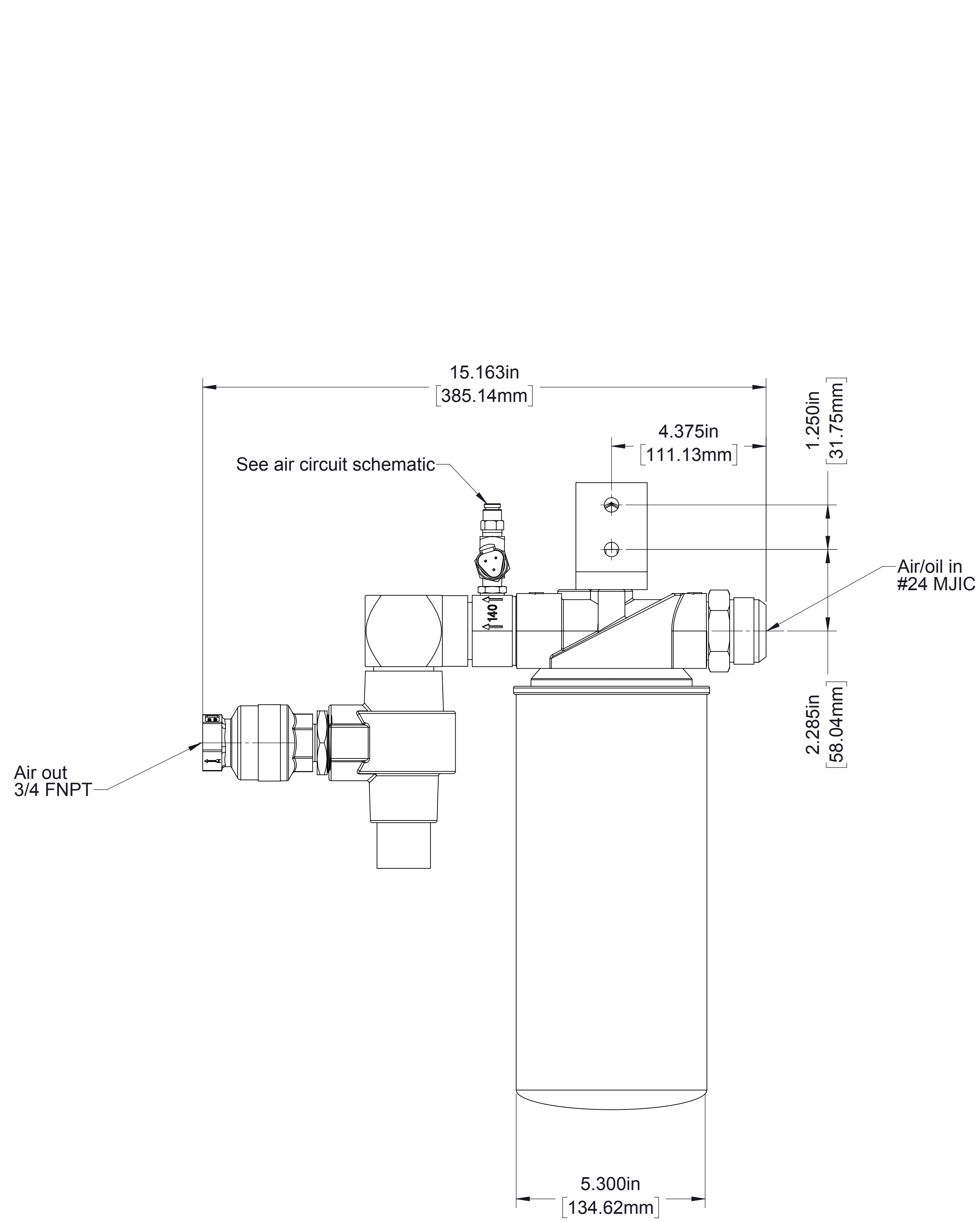


CAFS Warning

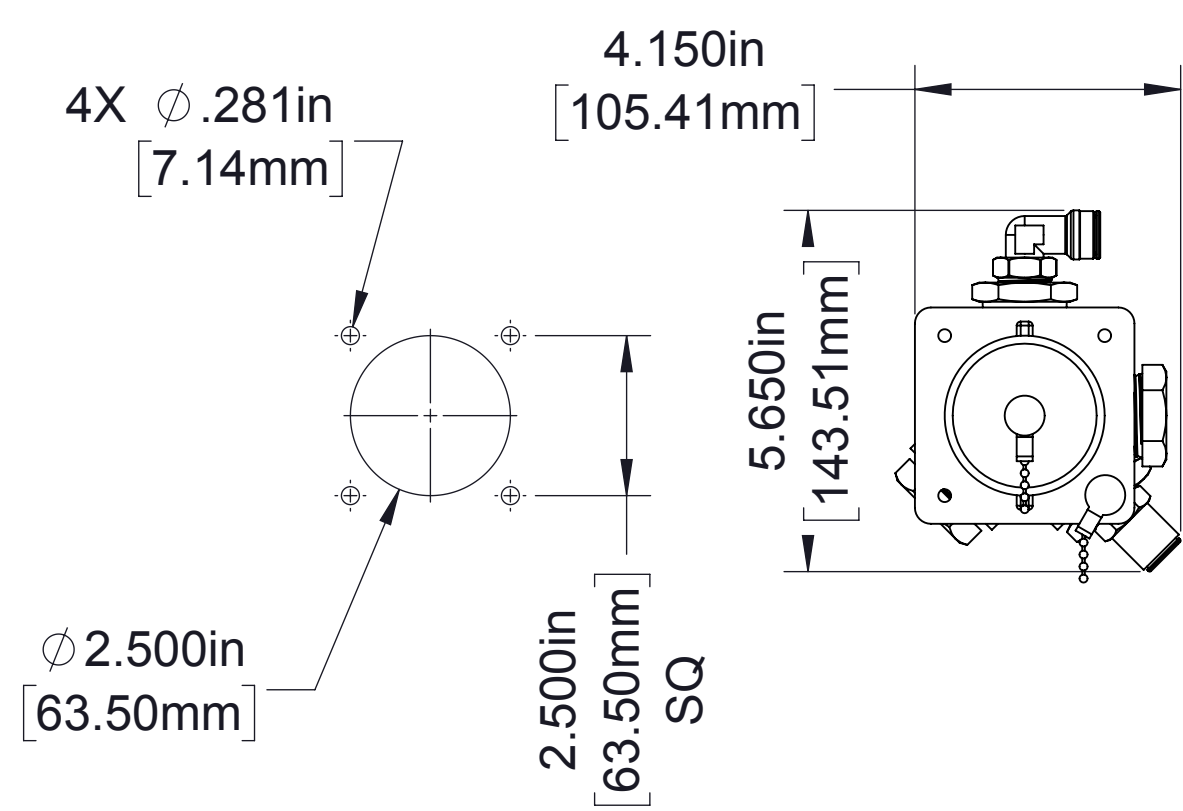
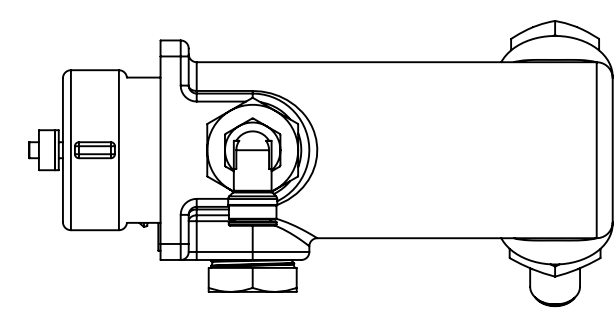
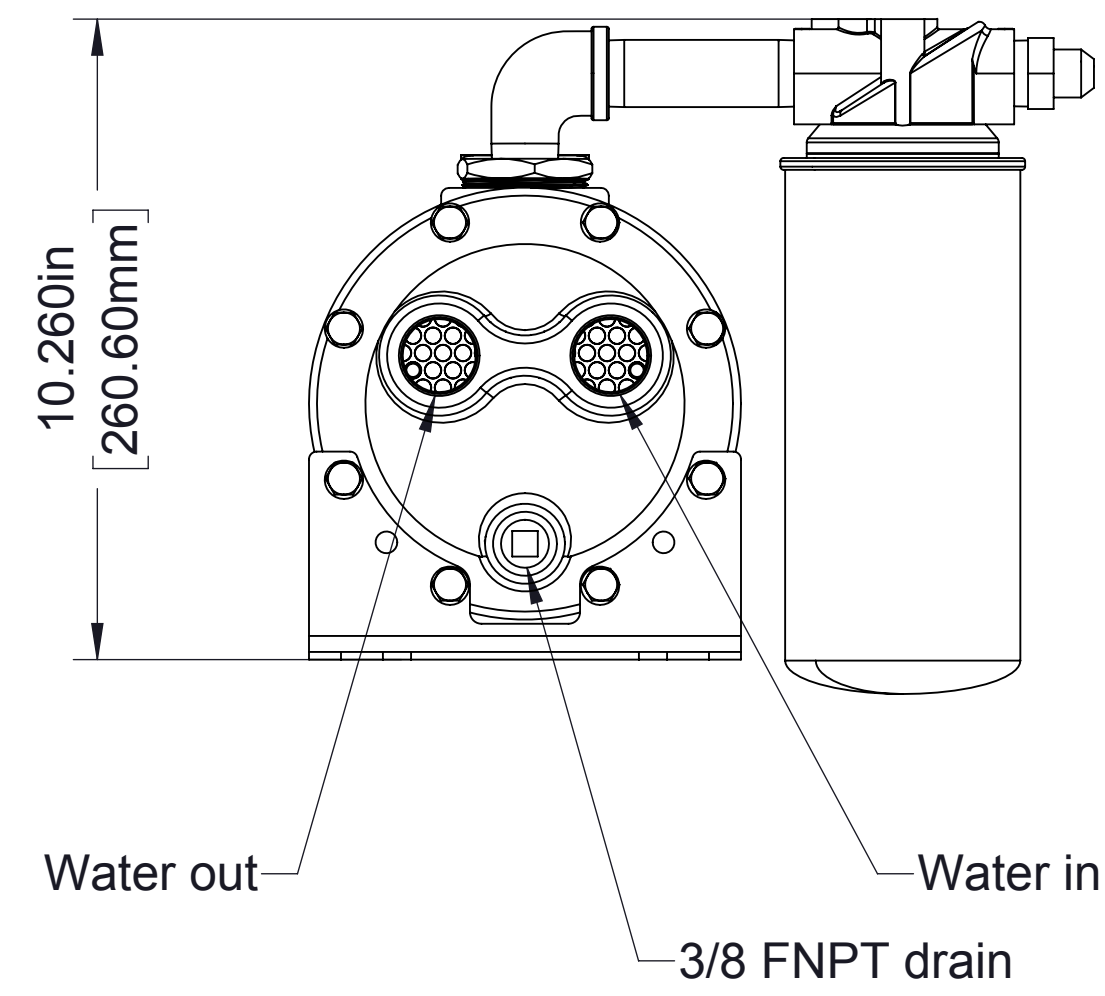
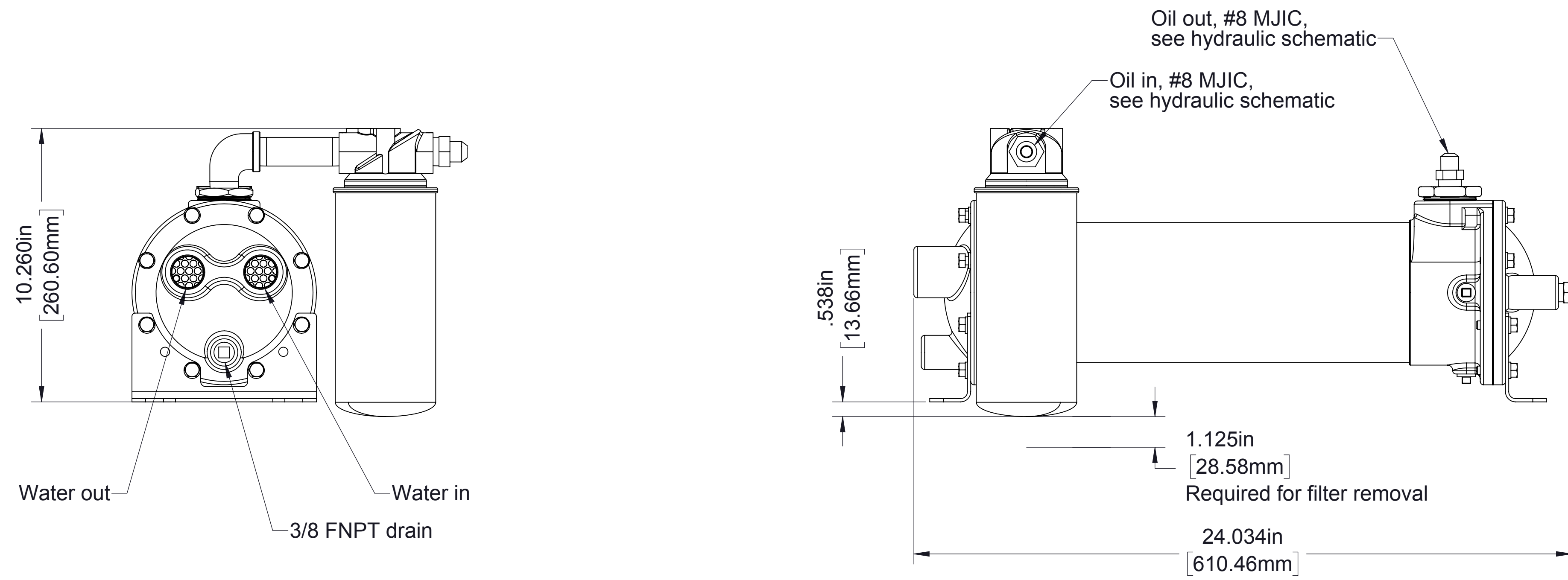
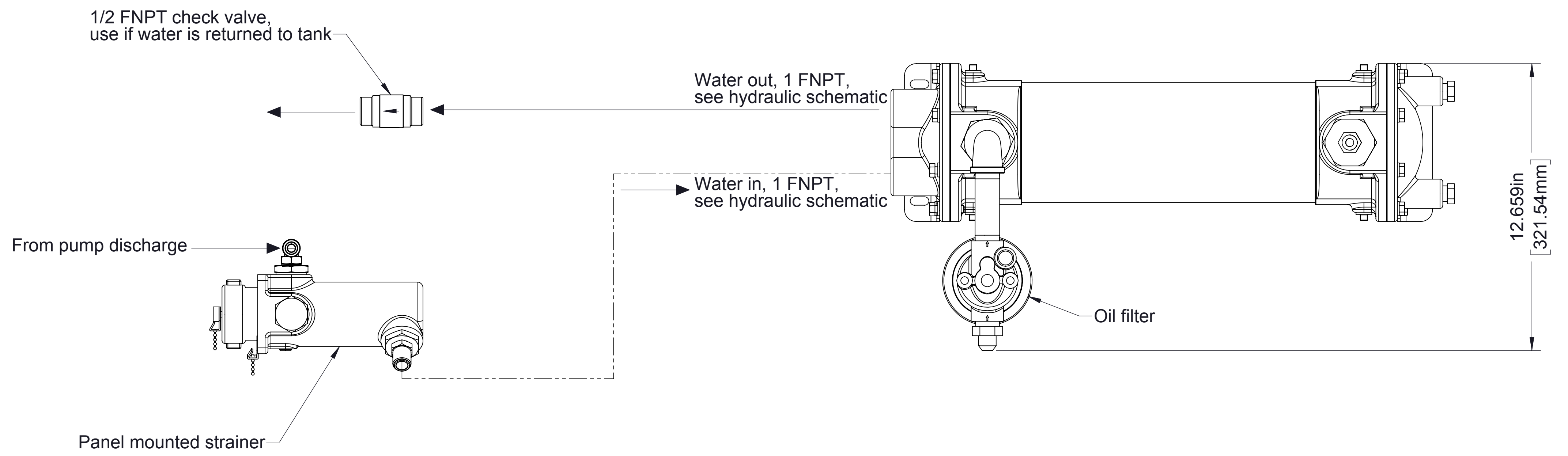
Panel Plates



Sump (Oil Reservoir)

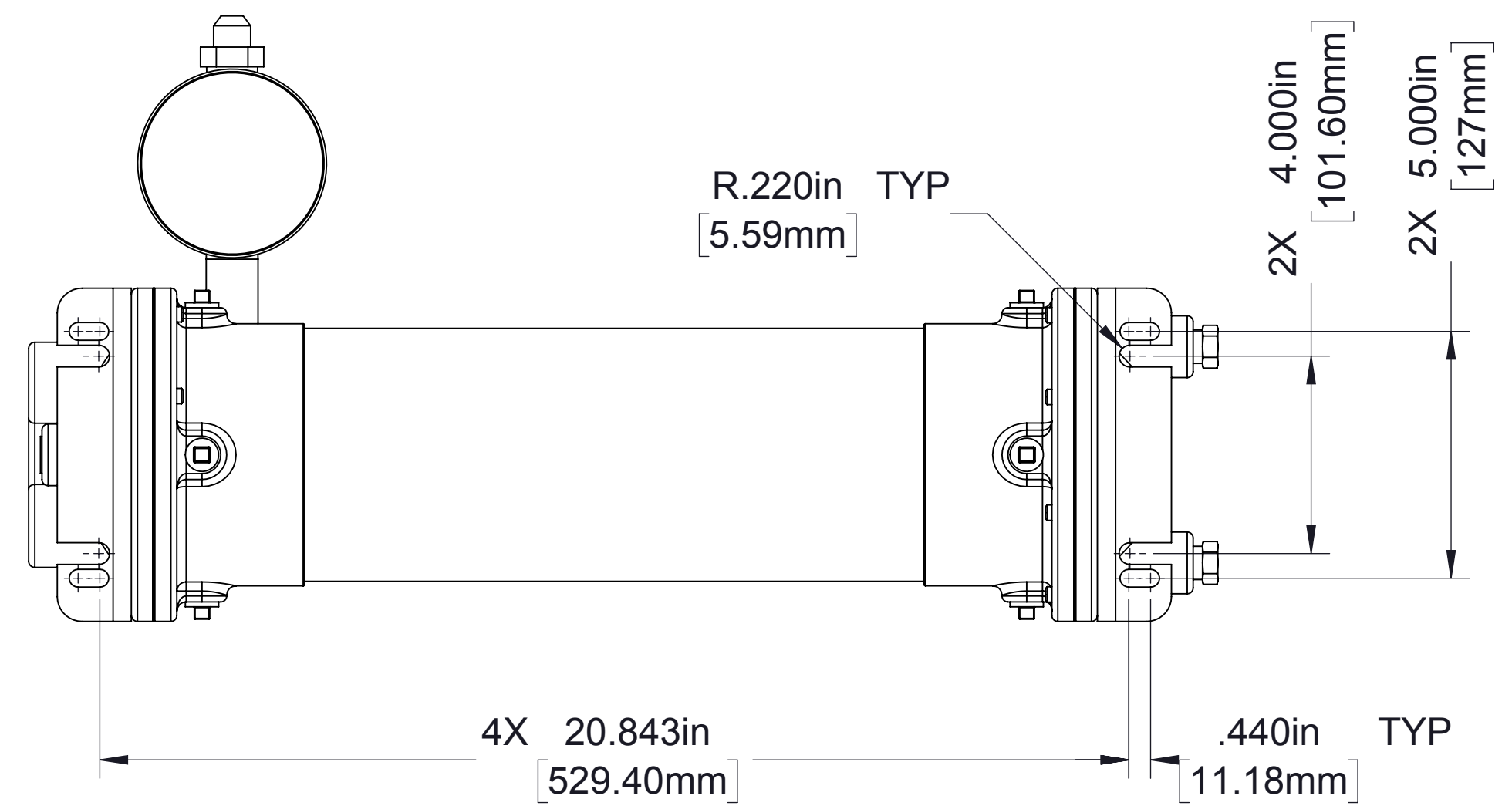


Separator Filter

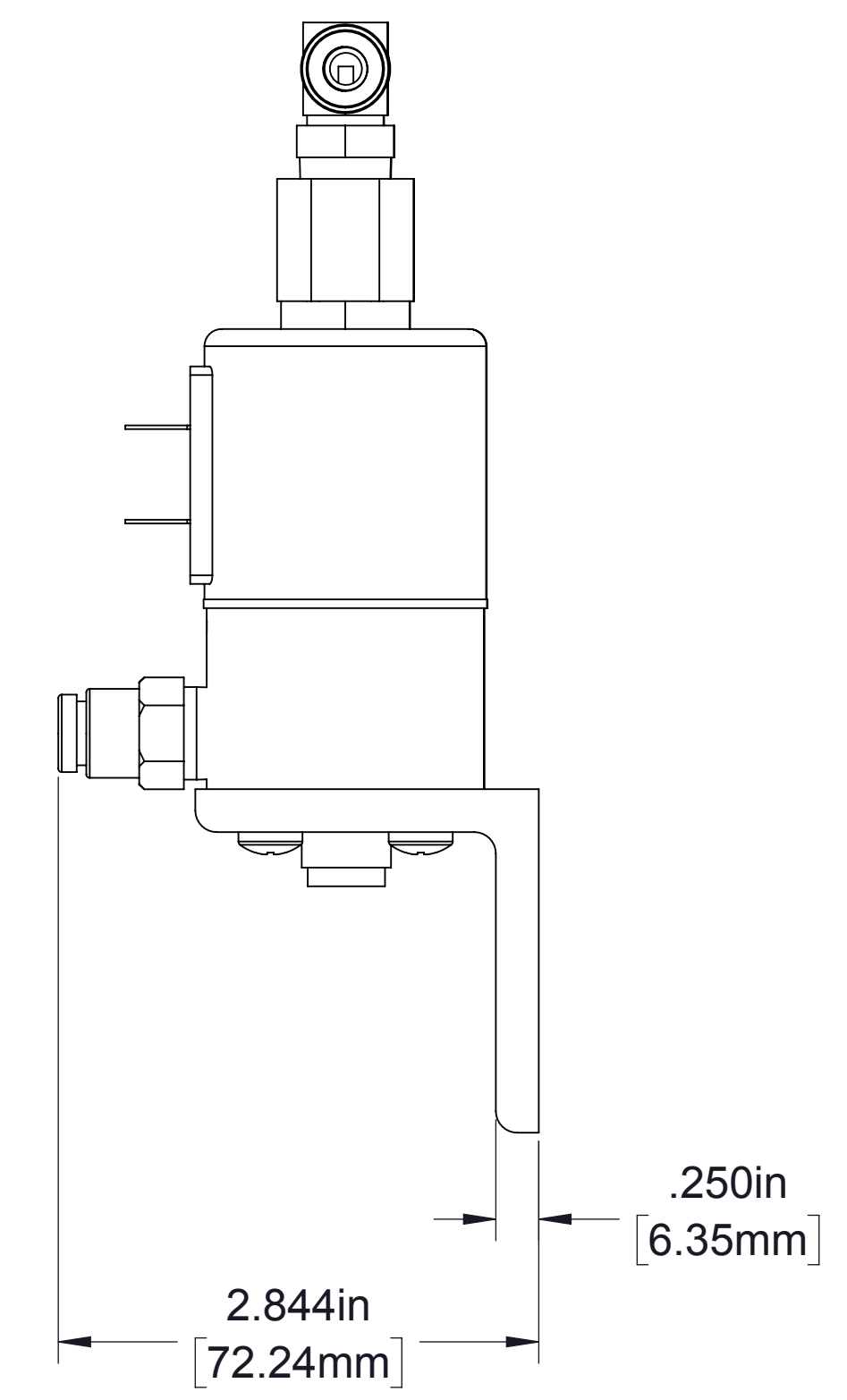
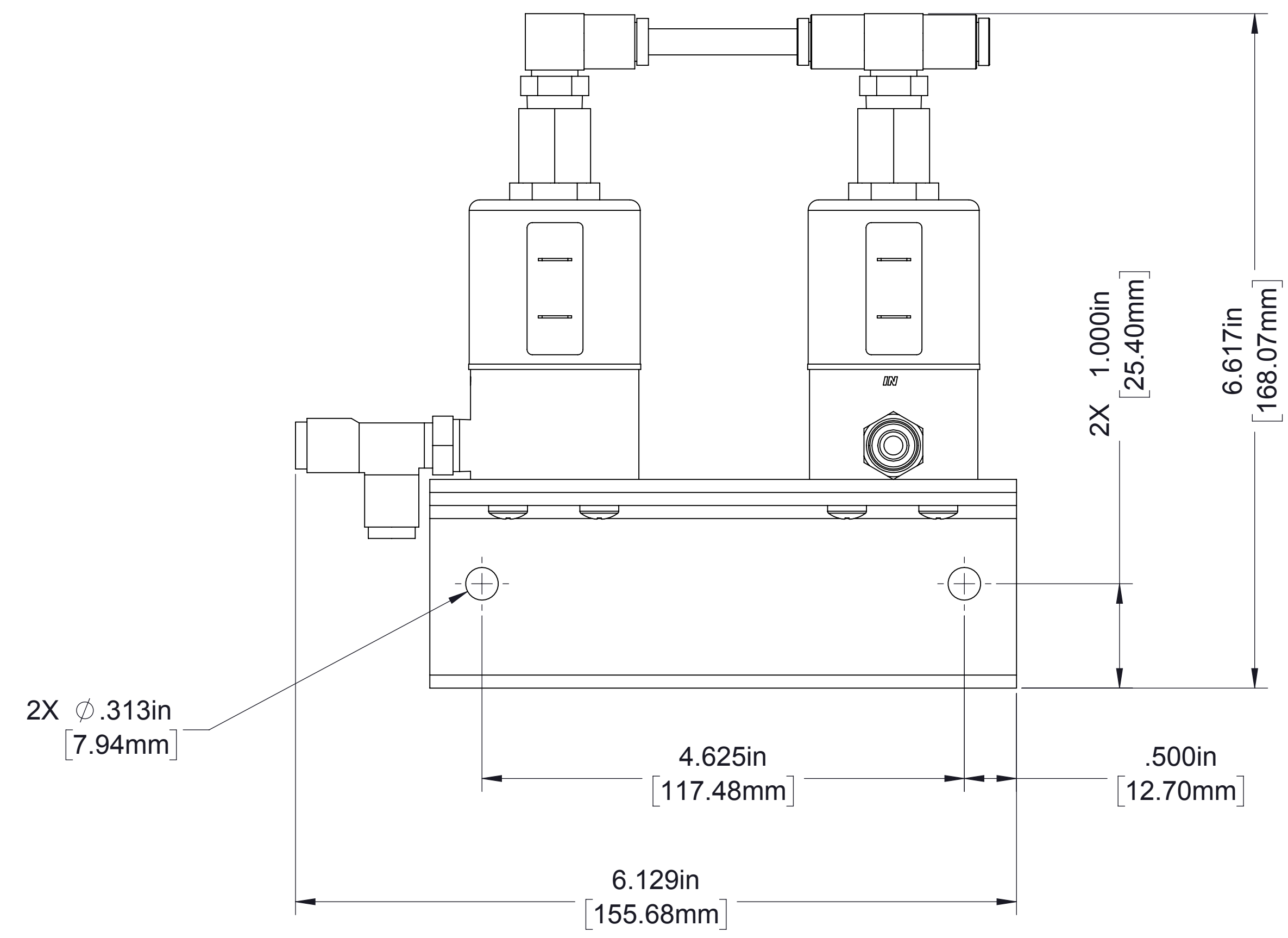


Panel Cut-Out

Panel Mounted Strainer

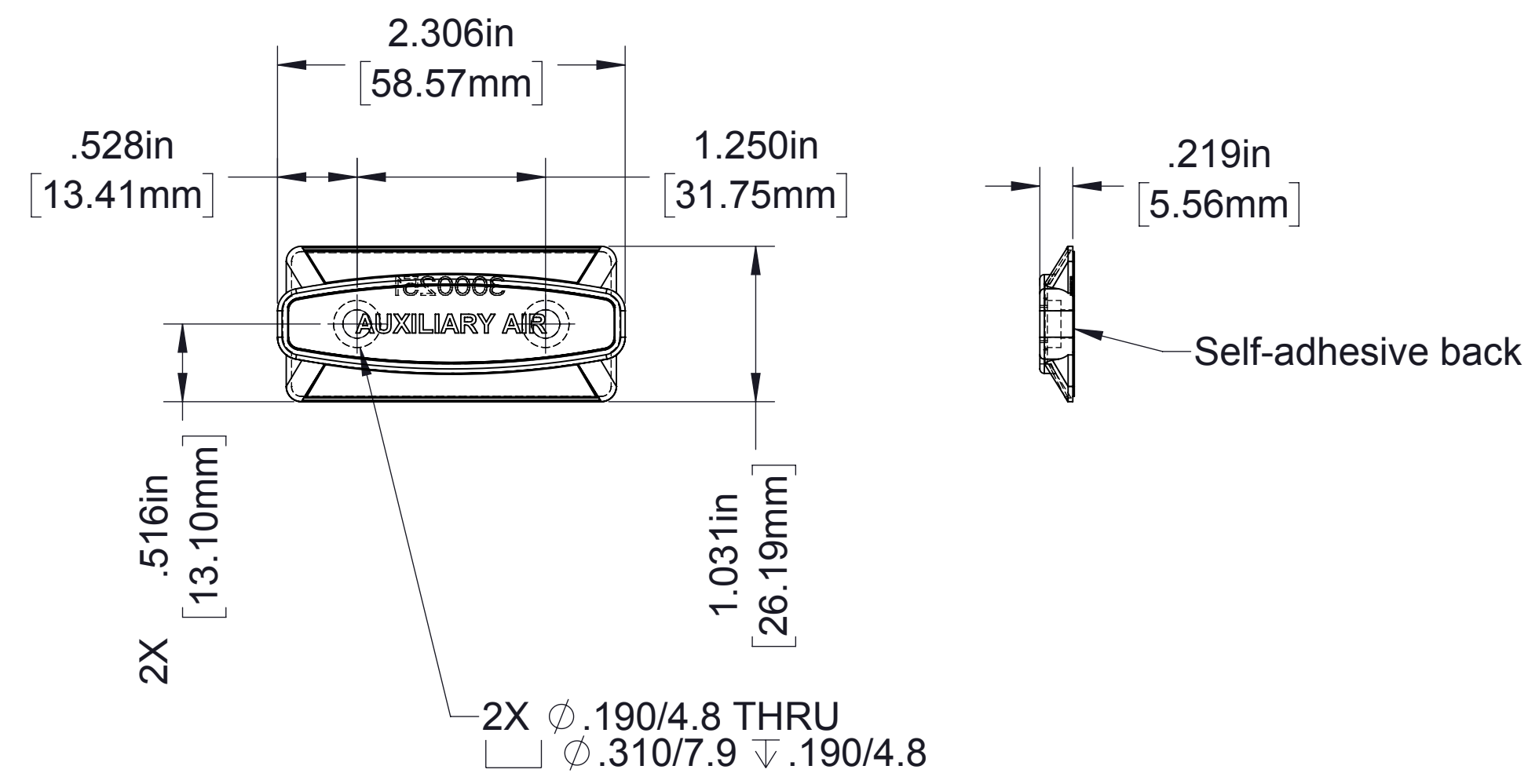


Oil Cooler and Filter

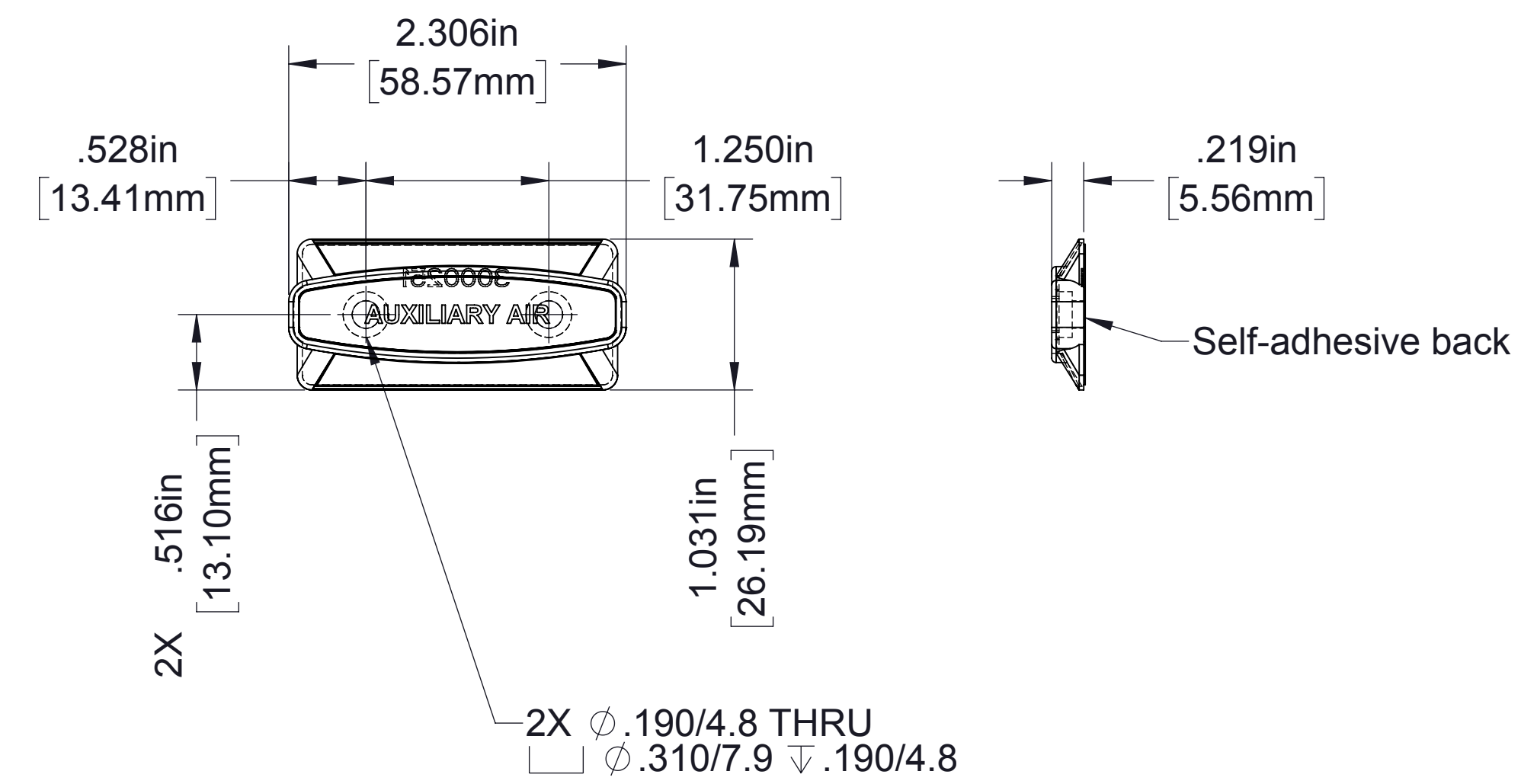


Note: For air connections, see air circuit schematic with High Rise option.

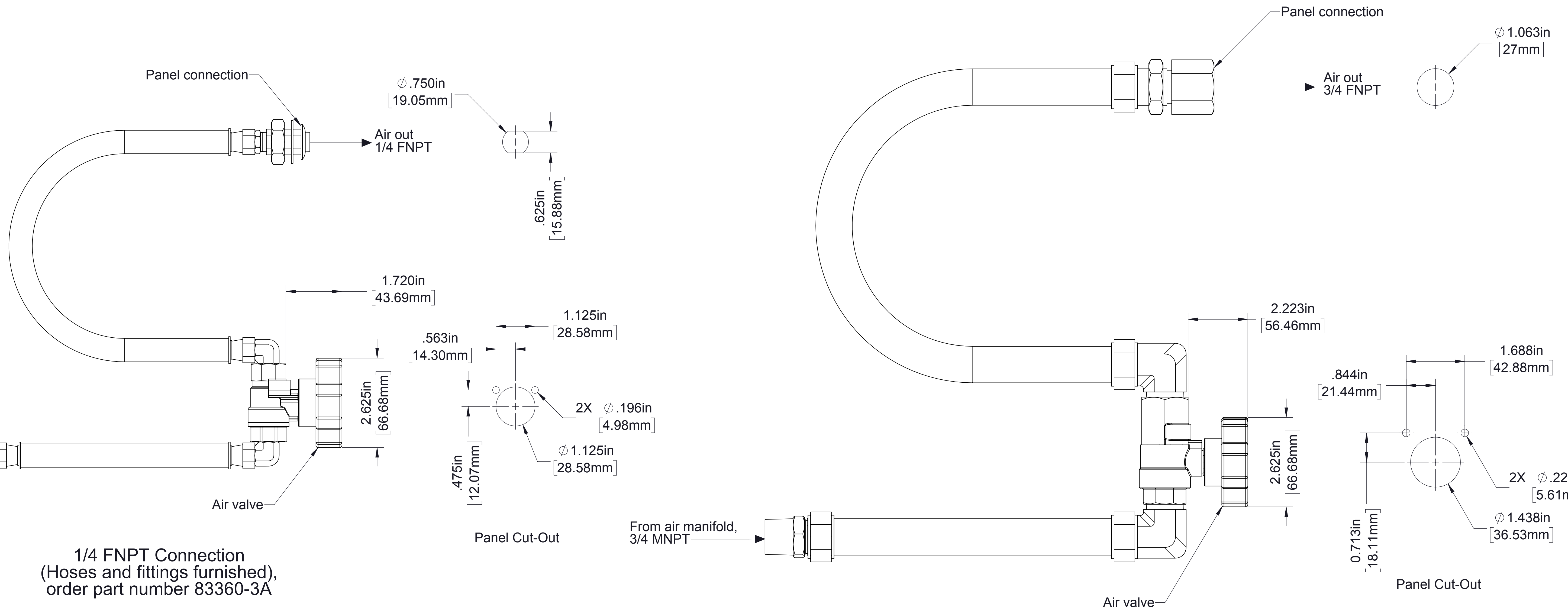
Auto-Sync
(High Rise option only)



Label



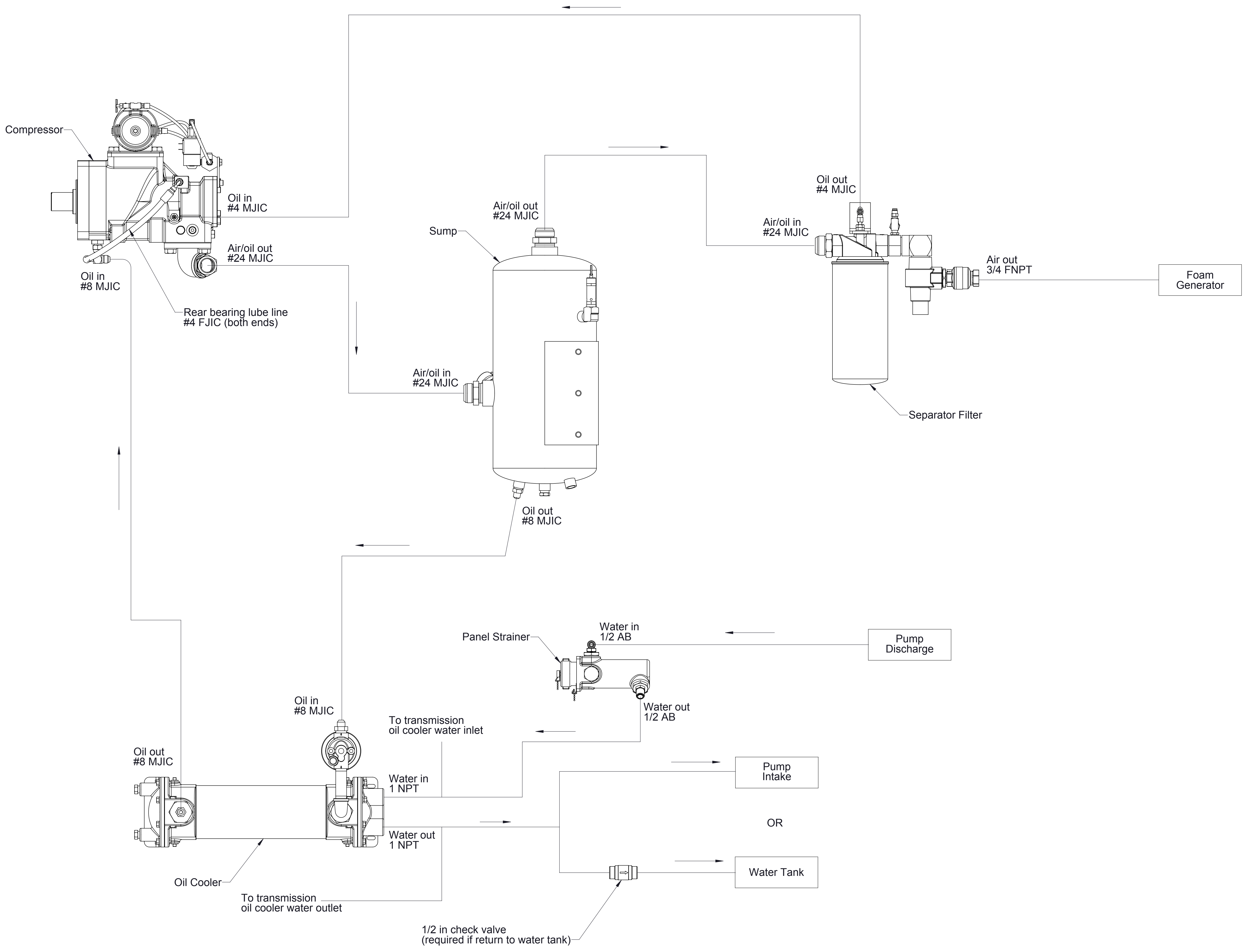
Label



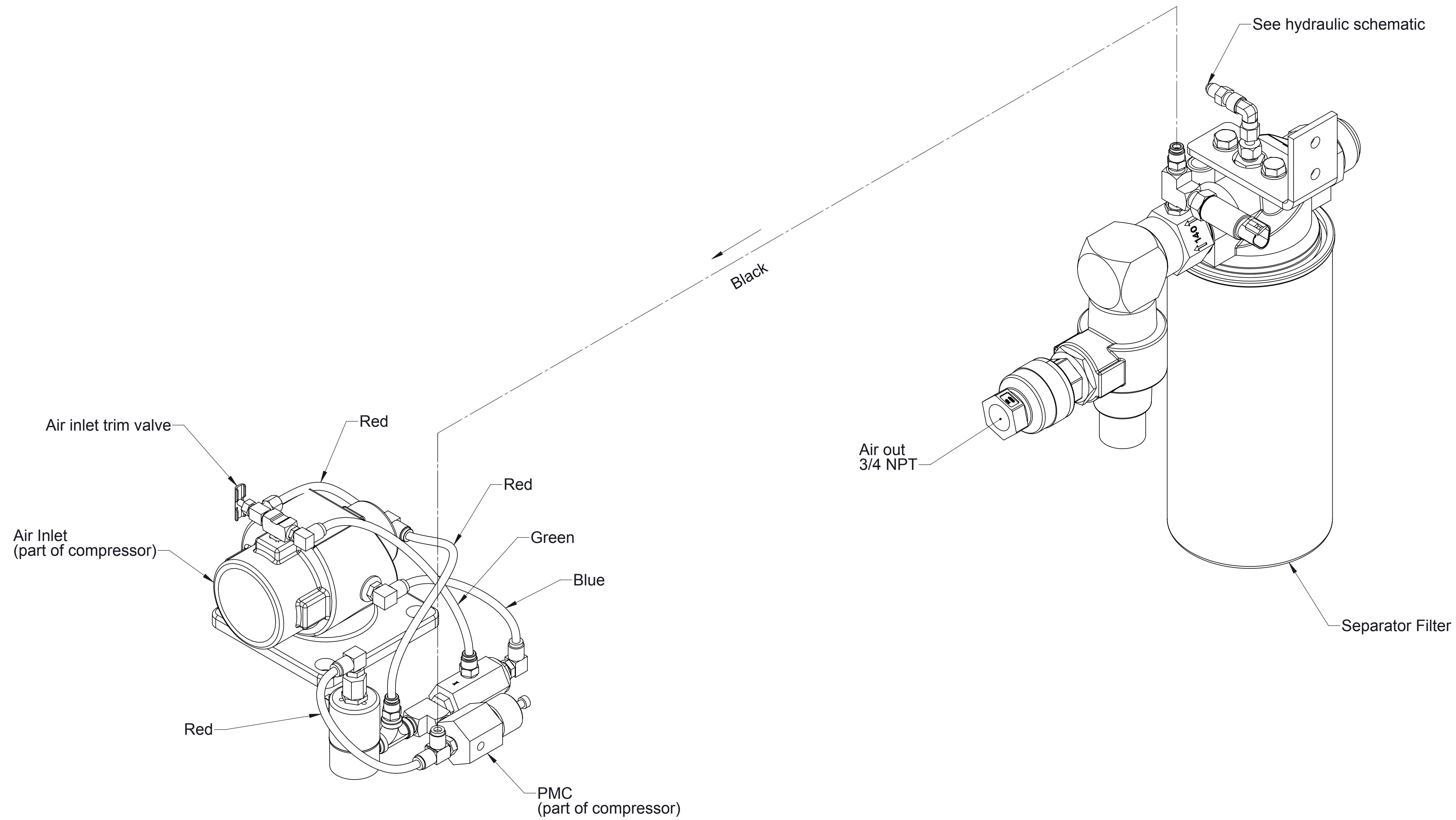
1/4 FNPT Connection
(Hoses and fittings furnished),
order part number 83360-3A

3/4 FNPT Connection
(Hoses and fittings furnished),
order part number 83360-3B

Optional Auxiliary Air Connection



Hydraulic Schematic

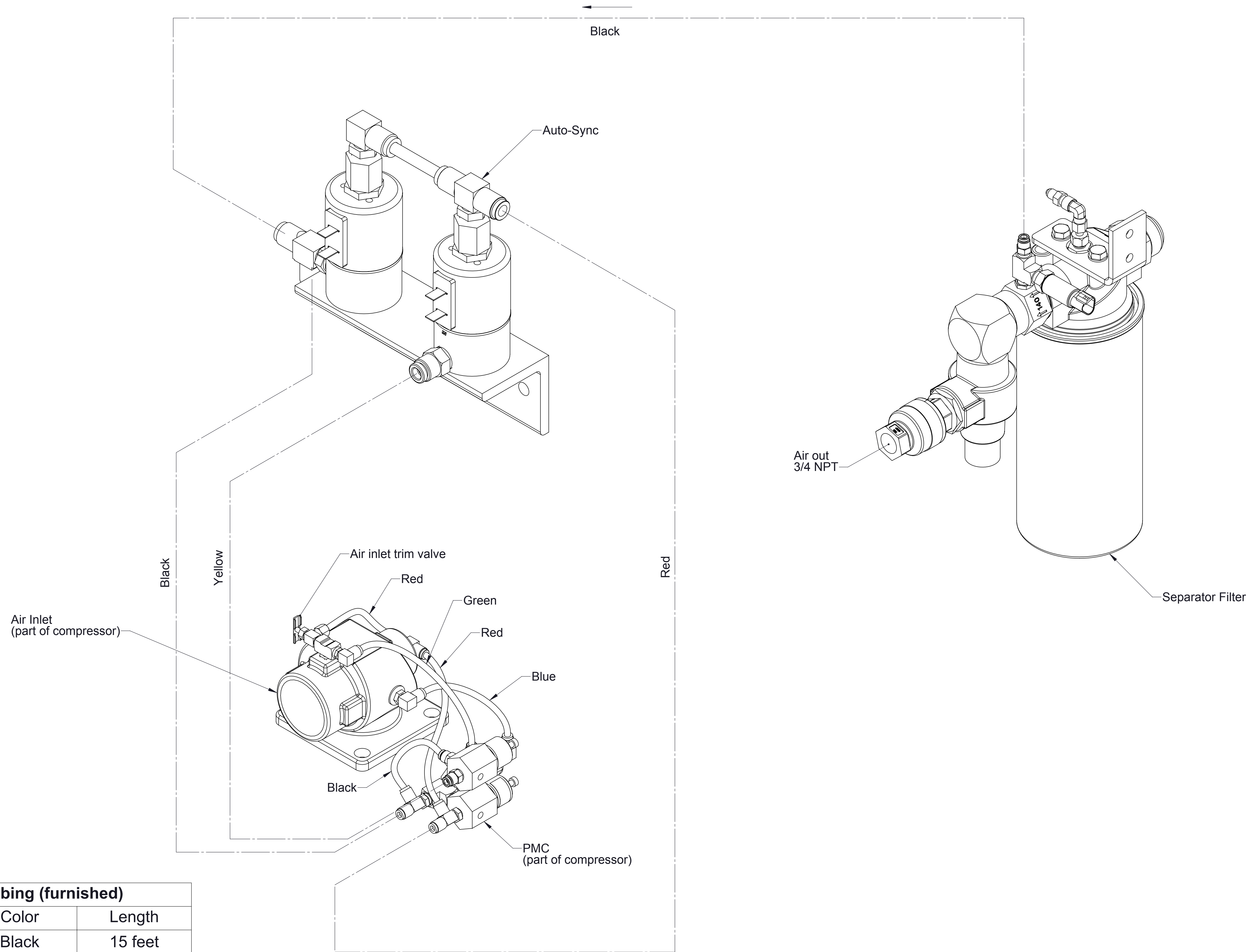


Air Line Tubing (furnished)		
Size	Color	Length
1/4 in	Black	15 feet

Note: Tubing from air inlet to PMC installed at factory.

----- Installed by OEM

Air Circuit Schematic
Non High Rise configuration



Air Line Tubing (furnished)		
Size	Color	Length
1/4 in	Black	15 feet
	Red	10 feet
	Yellow	10 feet

Note: Tubing from air inlet to PMC installed at factory.

----- Installed by OEM

Air Circuit Schematic
High Rise configuration