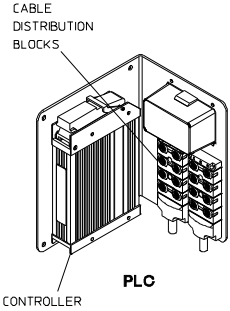
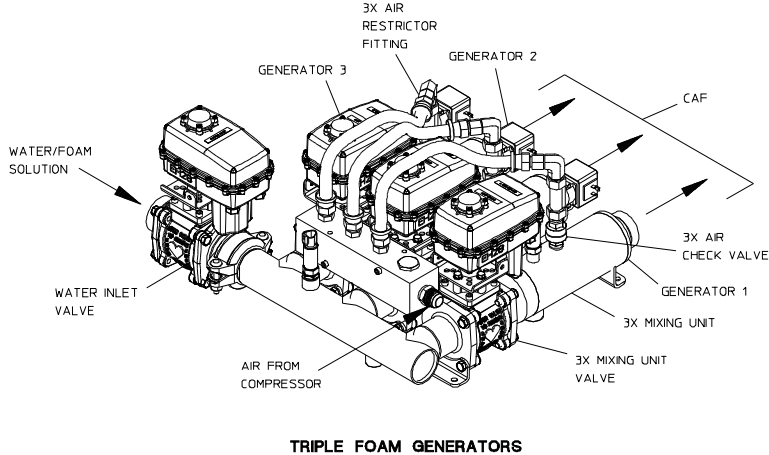
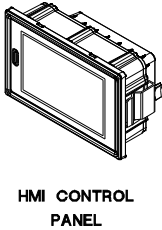
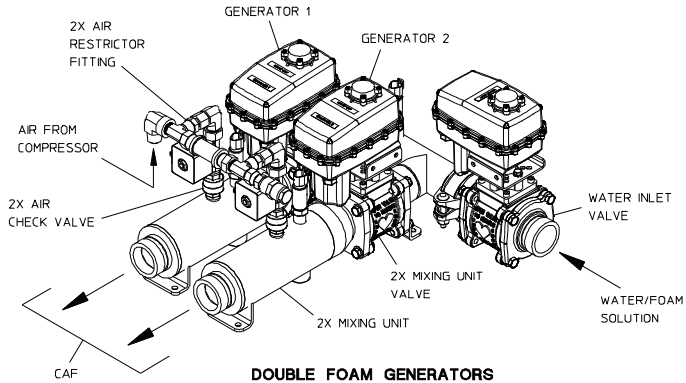
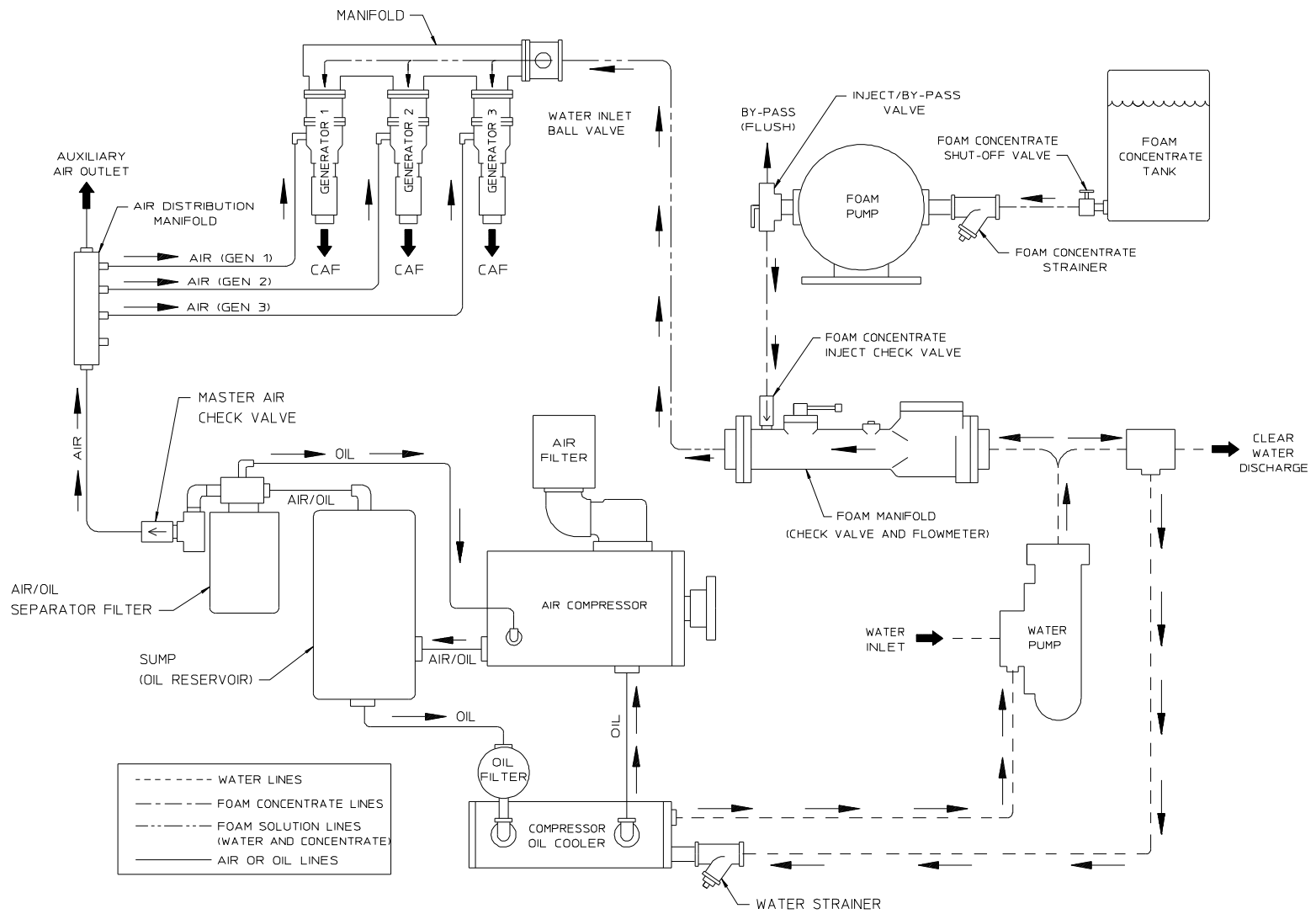


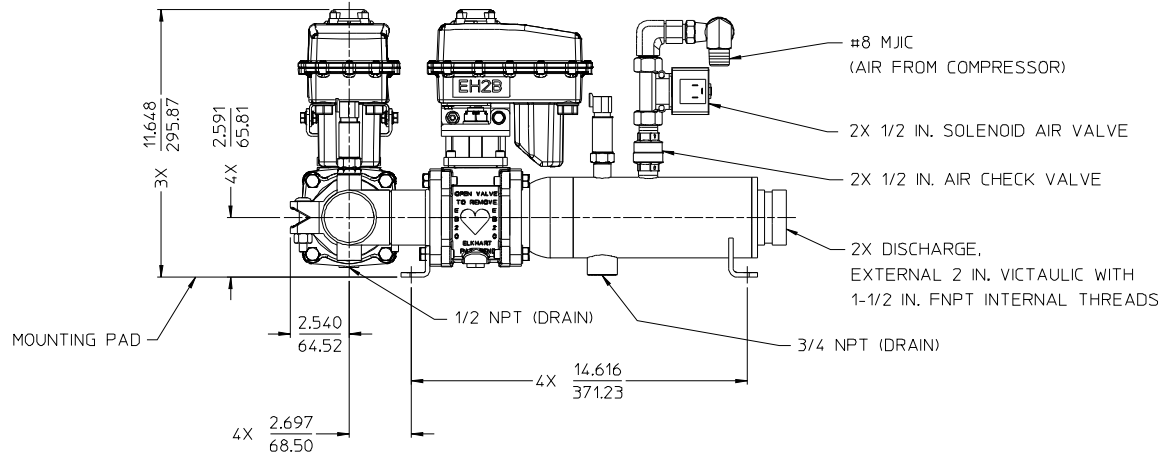
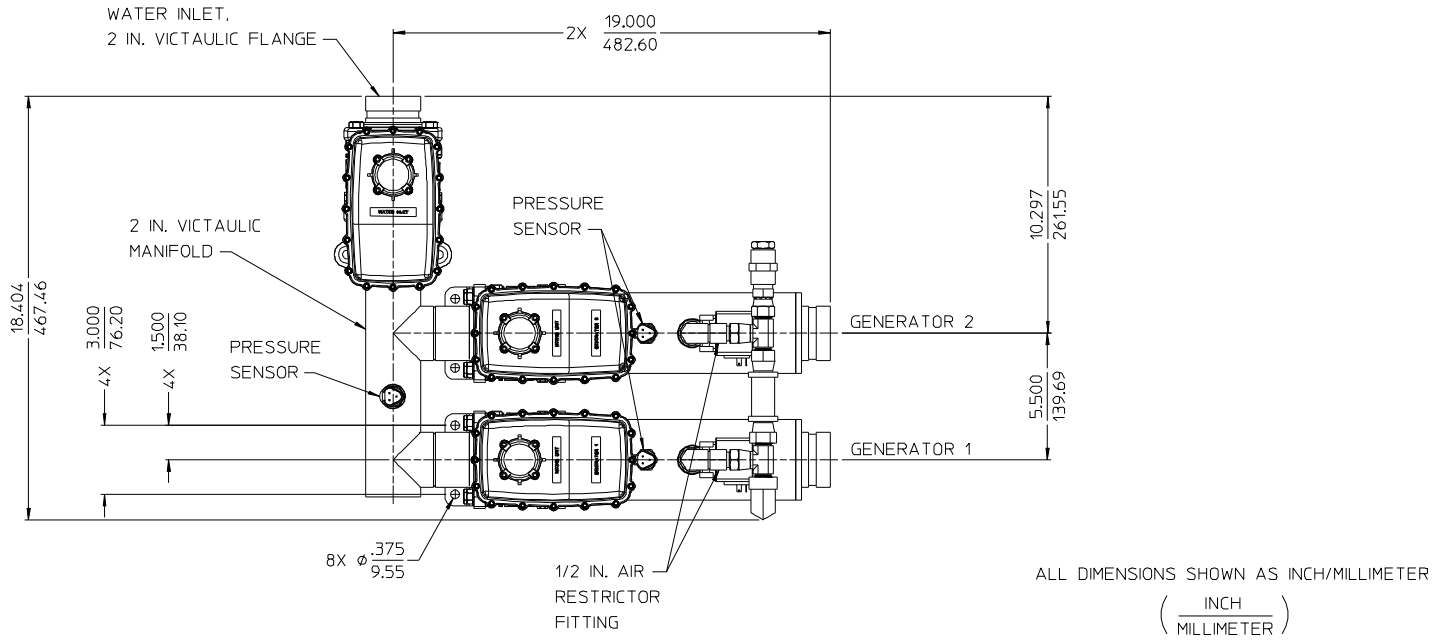
## Eclipse GEN 2.0 CAF System Foam Generators Dimensional Drawings



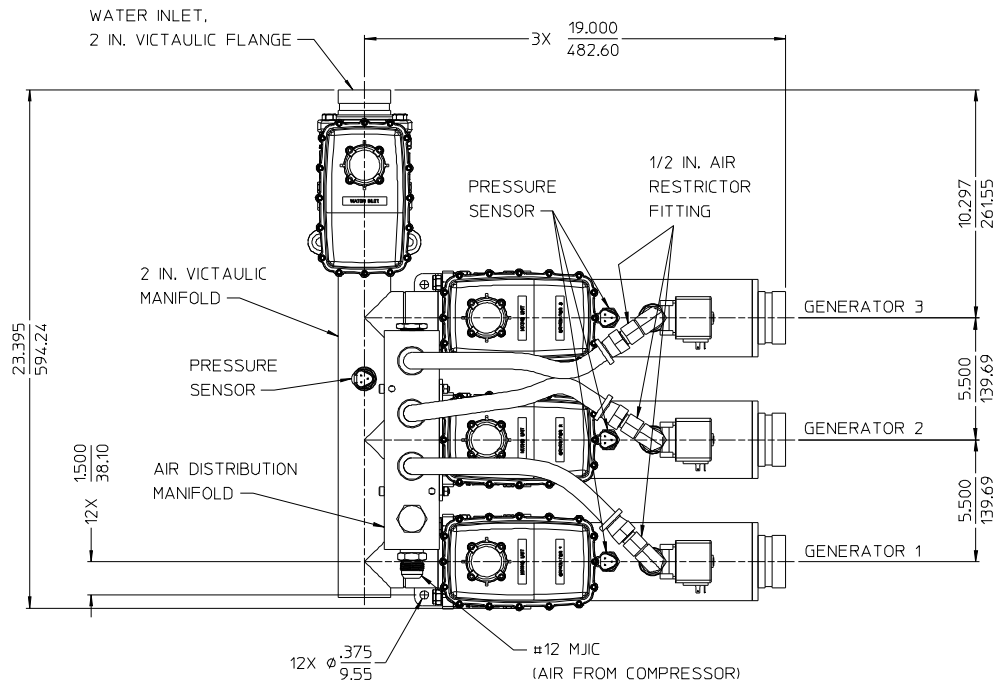
<b>Component:</b>	<b>Page</b>
System Schematic.....	2
<b>Generators:</b>	
Double.....	3
Triple:	
With or Without High Rise Option.....	4
With High Rise and High Flow Option.....	5
<b>Optional Discharge Splitting Valve:</b>	
Triple Generators.....	6
<b>PLC Panel:</b>	
Double Generators.....	7
Triple Generators.....	7
<b>HMI Control Panel:</b>	
Double or Triple Generators.....	8
<b>Cable Connections and Cable Lengths:</b>	
Double Generators.....	9
Triple Generators:	
Without High Rise Option.....	10
With High Rise Option.....	11
With Discharge Splitting Valve.....	12
<b>Cables Furnished by OEM</b> .....	13
<b>Foam Pumps:</b>	
See F-1031, Section 2447	
<b>Compressor Components:</b>	
See Separate Compressor Dimensional Drawings	
<b>Electrical Schematic:</b>	
Contact Waterous	



**SYSTEM SCHEMATIC**

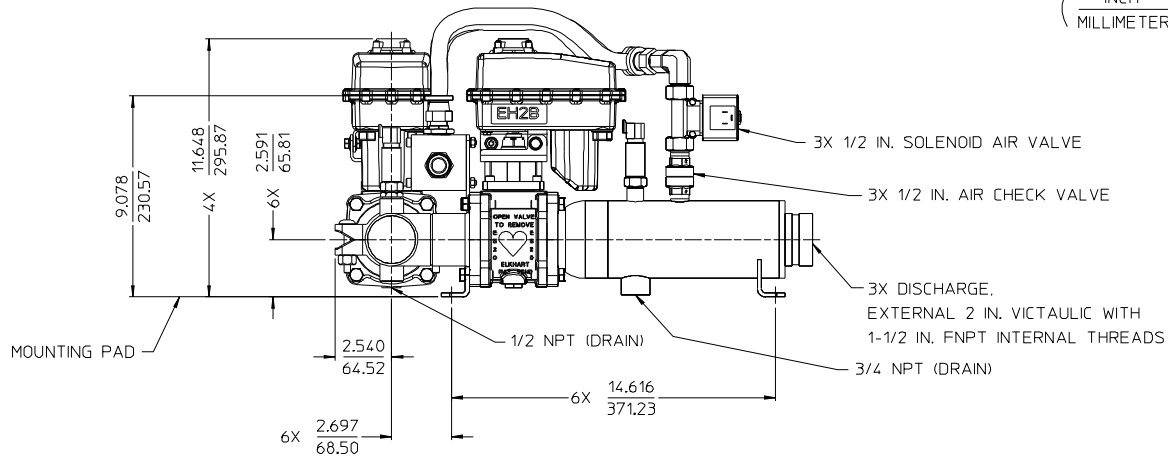


**DOUBLE FOAM GENERATORS**

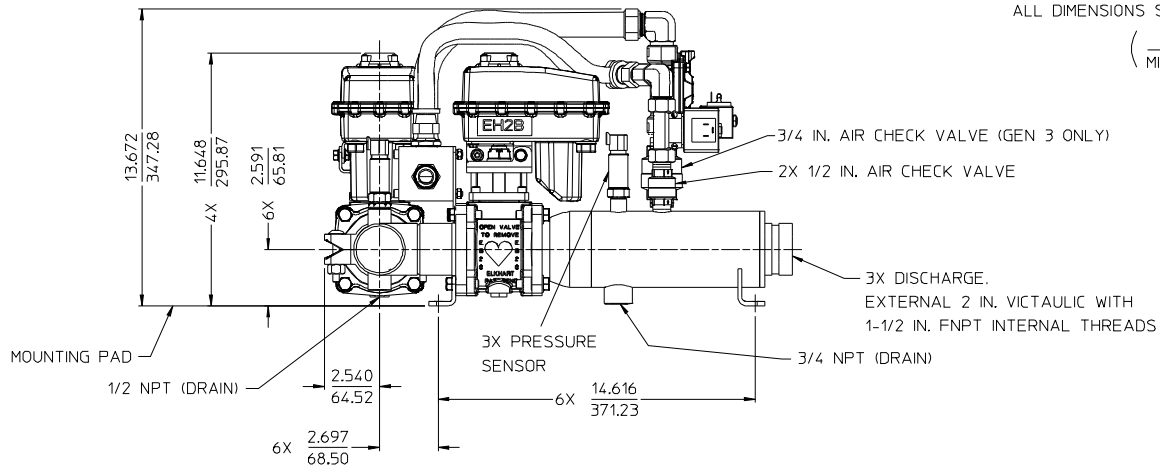
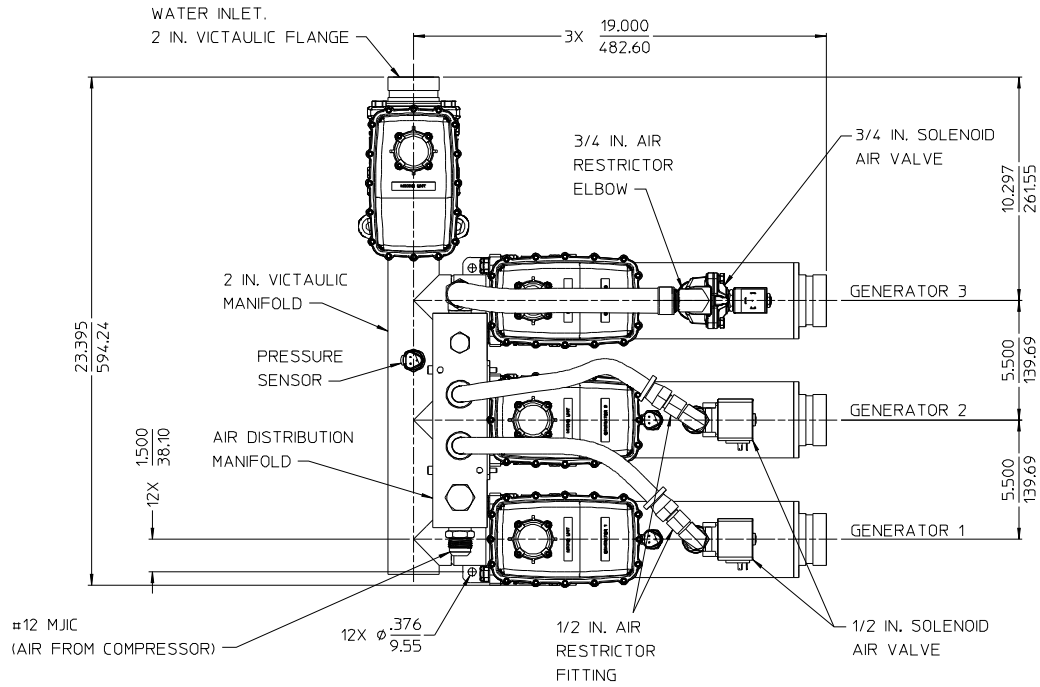


ALL DIMENSIONS SHOWN AS INCH/MILLIMETER

( $\frac{\text{INCH}}{\text{MILLIMETER}}$ )

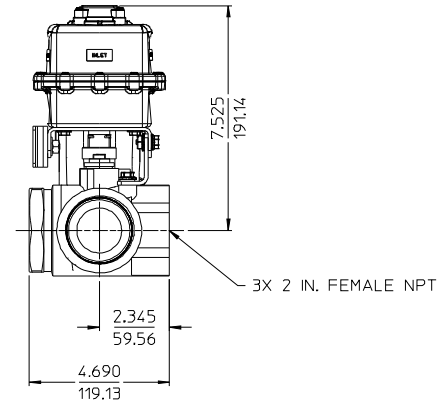
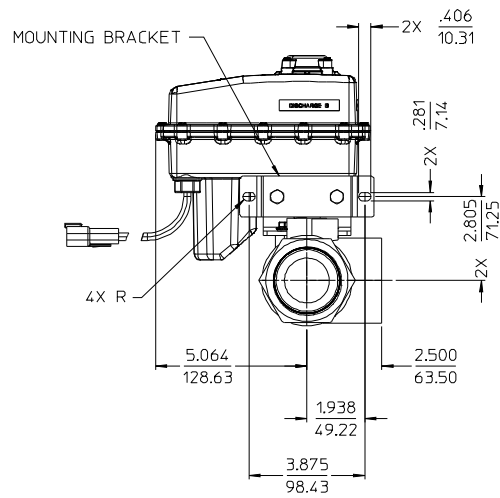
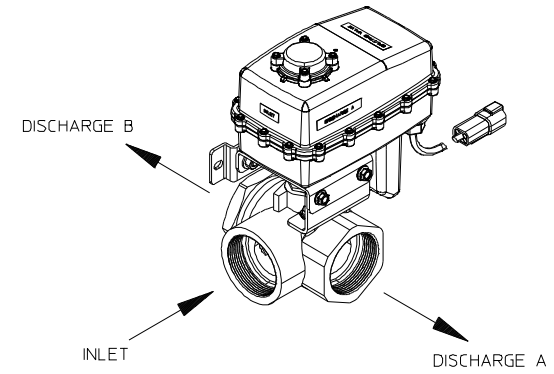
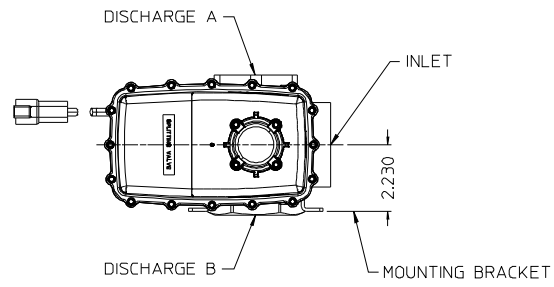


**TRIPLE FOAM GENERATORS**



ALL DIMENSIONS SHOWN AS INCH/MILLIMETER  
( INCH / MILLIMETER )

**TRIPLE FOAM GENERATORS**  
HIGH RISE AND HIGH FLOW OPTION

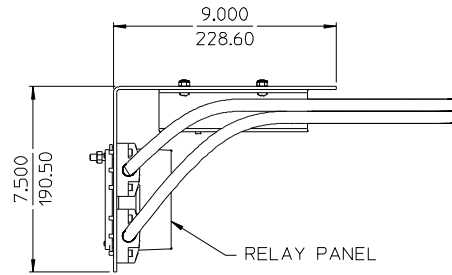


ALL DIMENSIONS SHOWN AS INCH/MILLIMETER

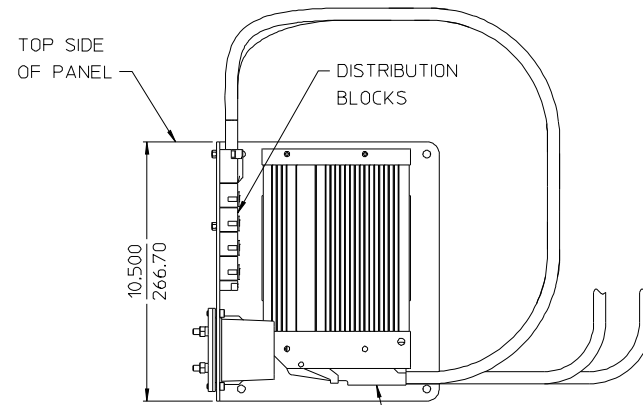
( $\frac{\text{INCH}}{\text{MILLIMETER}}$ )

**OPTIONAL DISCHARGE SPLITTING VALVE**

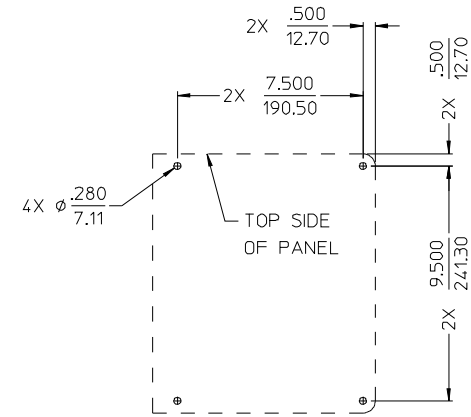
AVAILABLE ON TRIPLE GENERATORS ONLY  
SEE PAGE 12 FOR CABLE CONNECTIONS AND CABLE LENGTHS



NOTE: MAY BE MOUNTED EITHER  
VERTICAL OR HORIZONTAL  
(VERTICAL MOUNTING SHOWN)



**CONTROLLER,  
IF MOUNTED VERTICALLY,  
THIS END WITH CABLE  
CONNECTION MUST POINT DOWN**



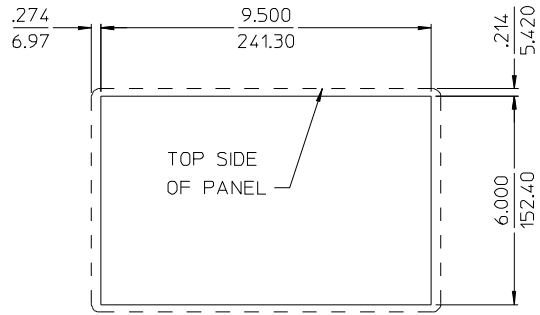
PANEL MOUNTING  
HOLE LAYOUT

ALL DIMENSIONS SHOWN AS INCH/MILLIMETER

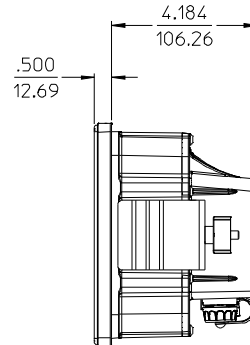
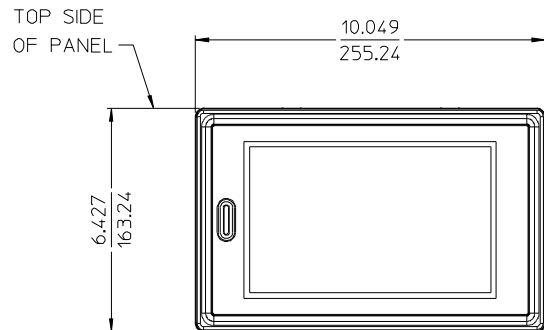
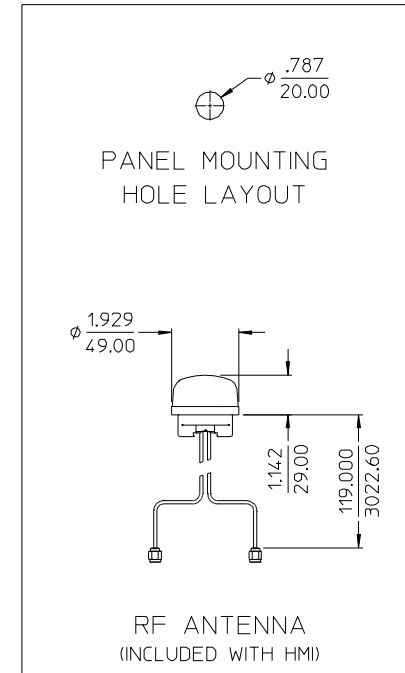
( $\frac{\text{INCH}}{\text{MILLIMETER}}$ )

**PLC PANEL**

(CABLES REMOVED FOR DRAWING CLARITY)



PANEL MOUNTING HOLE LAYOUT



ALL DIMENSIONS SHOWN AS INCH/MILLIMETER

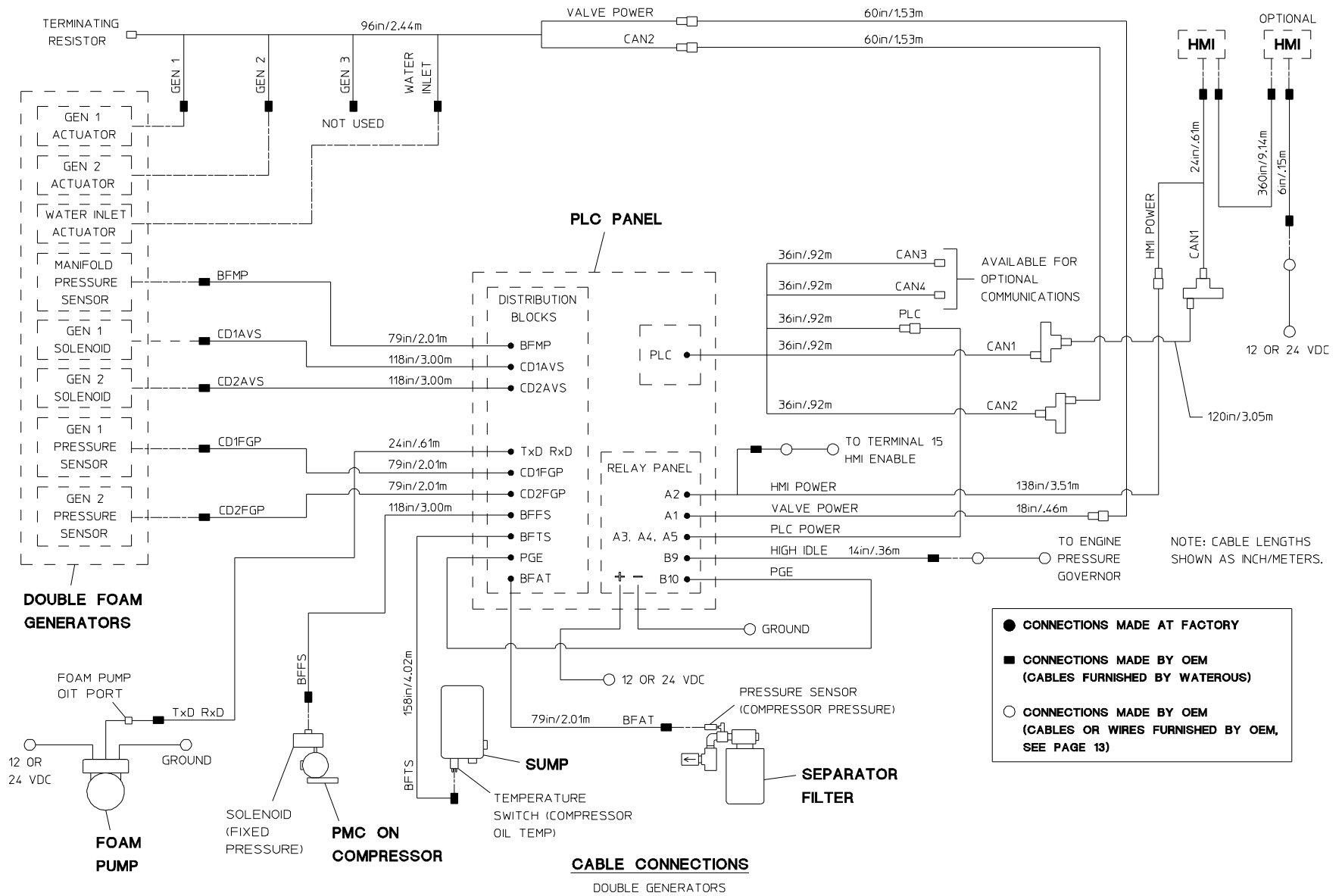
(  $\frac{\text{INCH}}{\text{MILLIMETER}}$  )

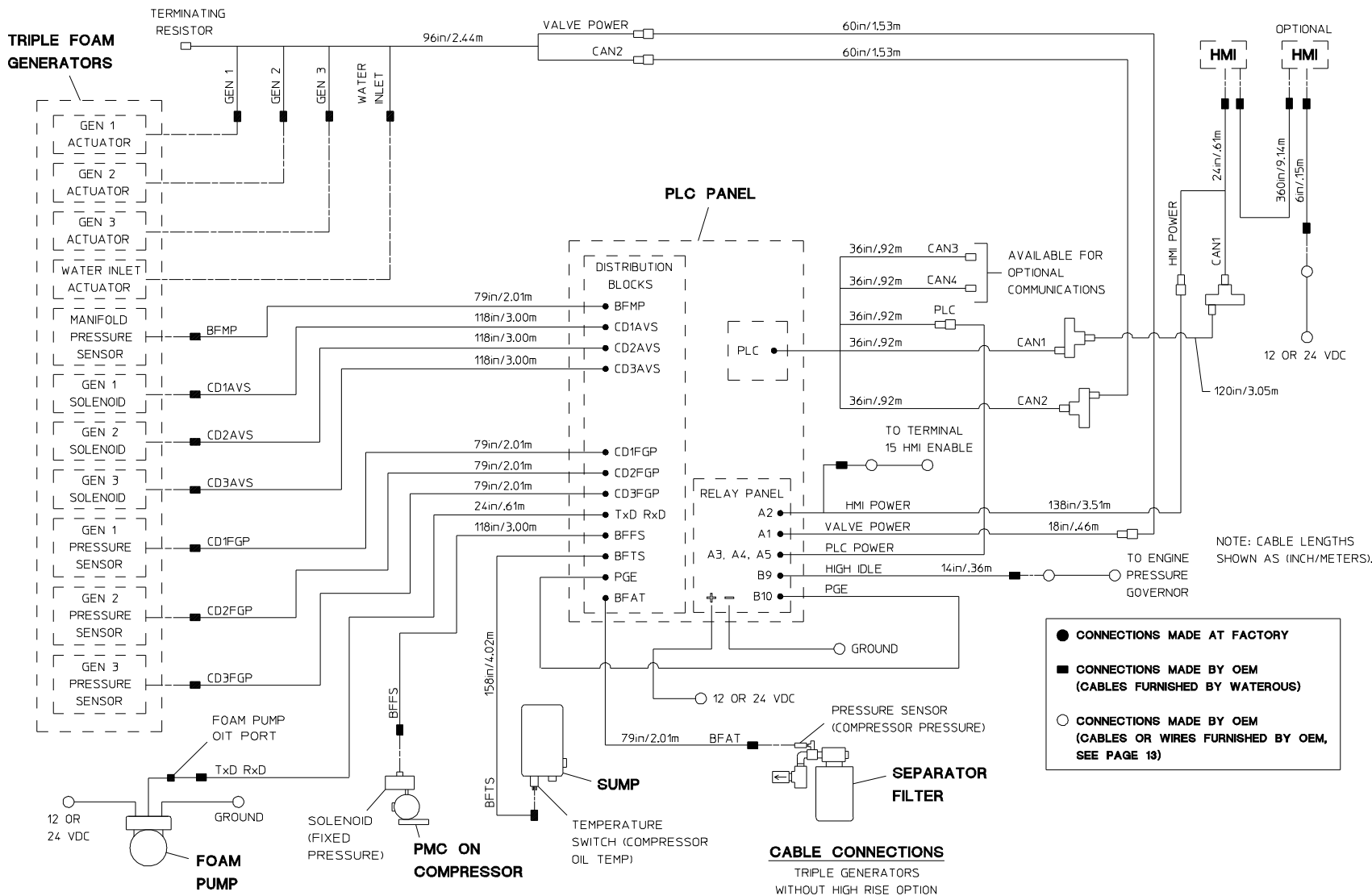
### HMI CONTROL PANEL

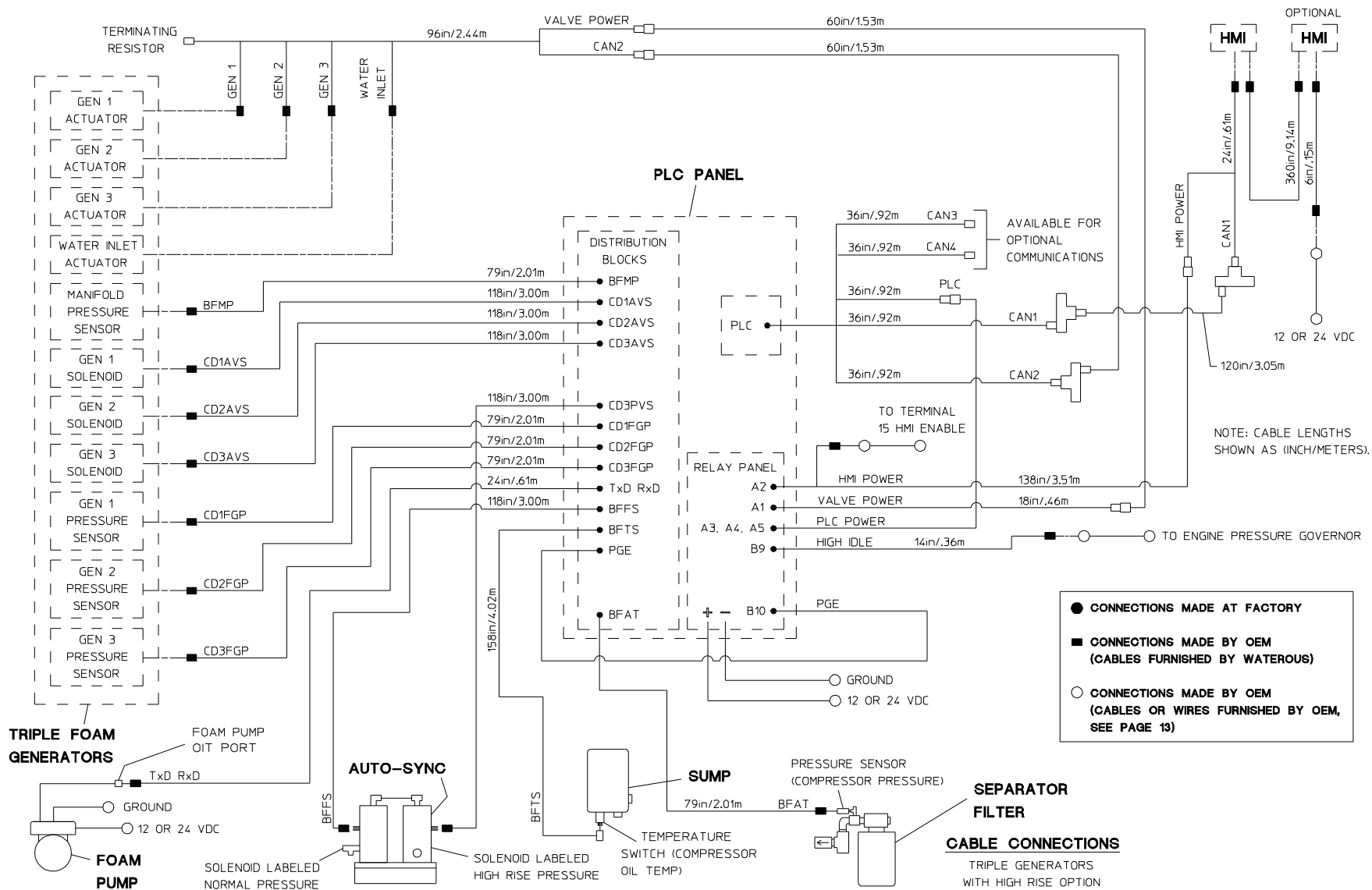
SEE CABLE CONNECTION PAGES FOR CABLE CONNECTIONS AND CABLE LENGTHS.

AN OPTIONAL SECOND CONTROLLER IS AVAILABLE FOR REMOTE OPERATION OF THE SYSTEM. PANEL MOUNTING IS THE SAME FOR BOTH CONTROLLERS.

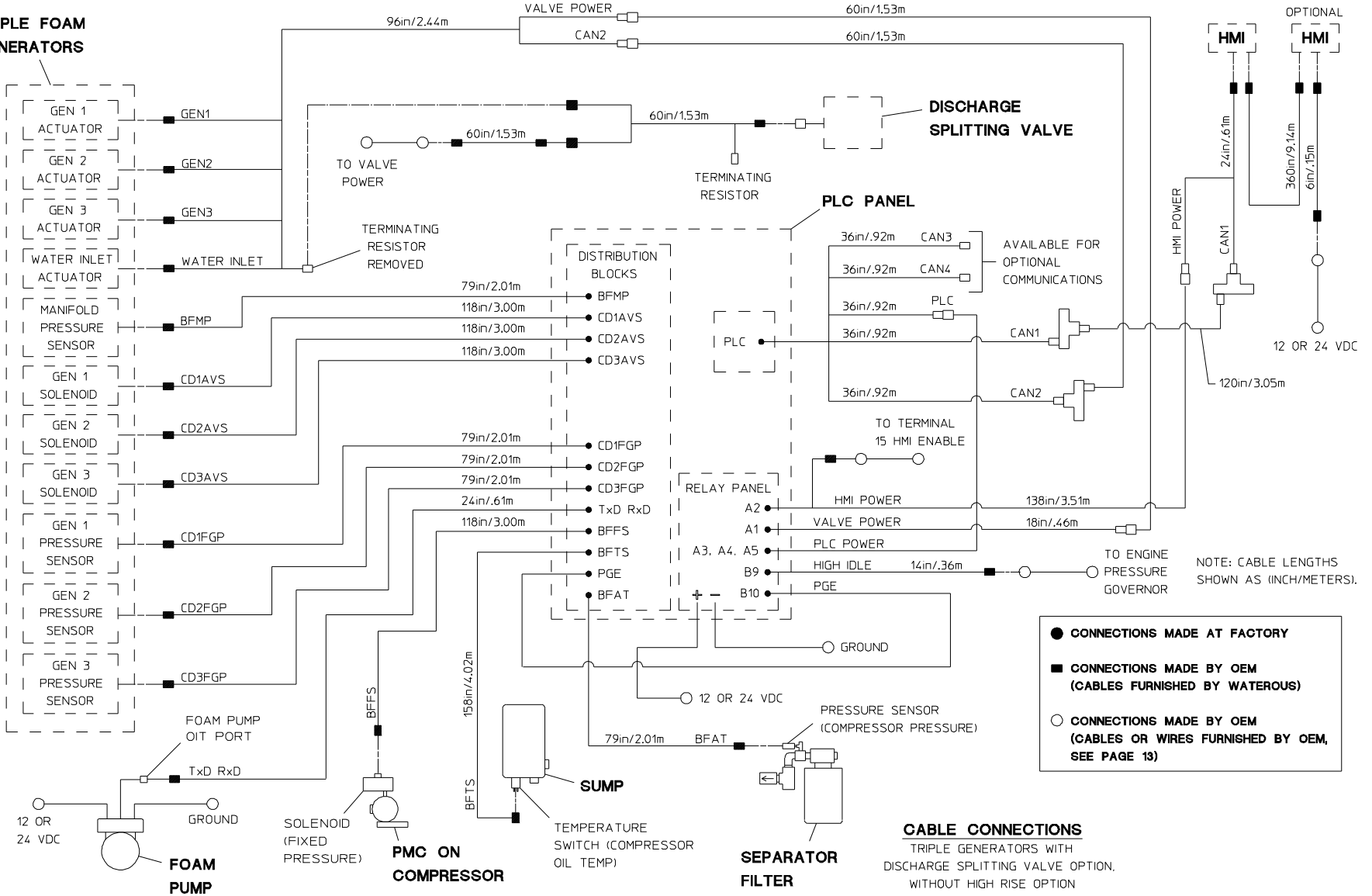


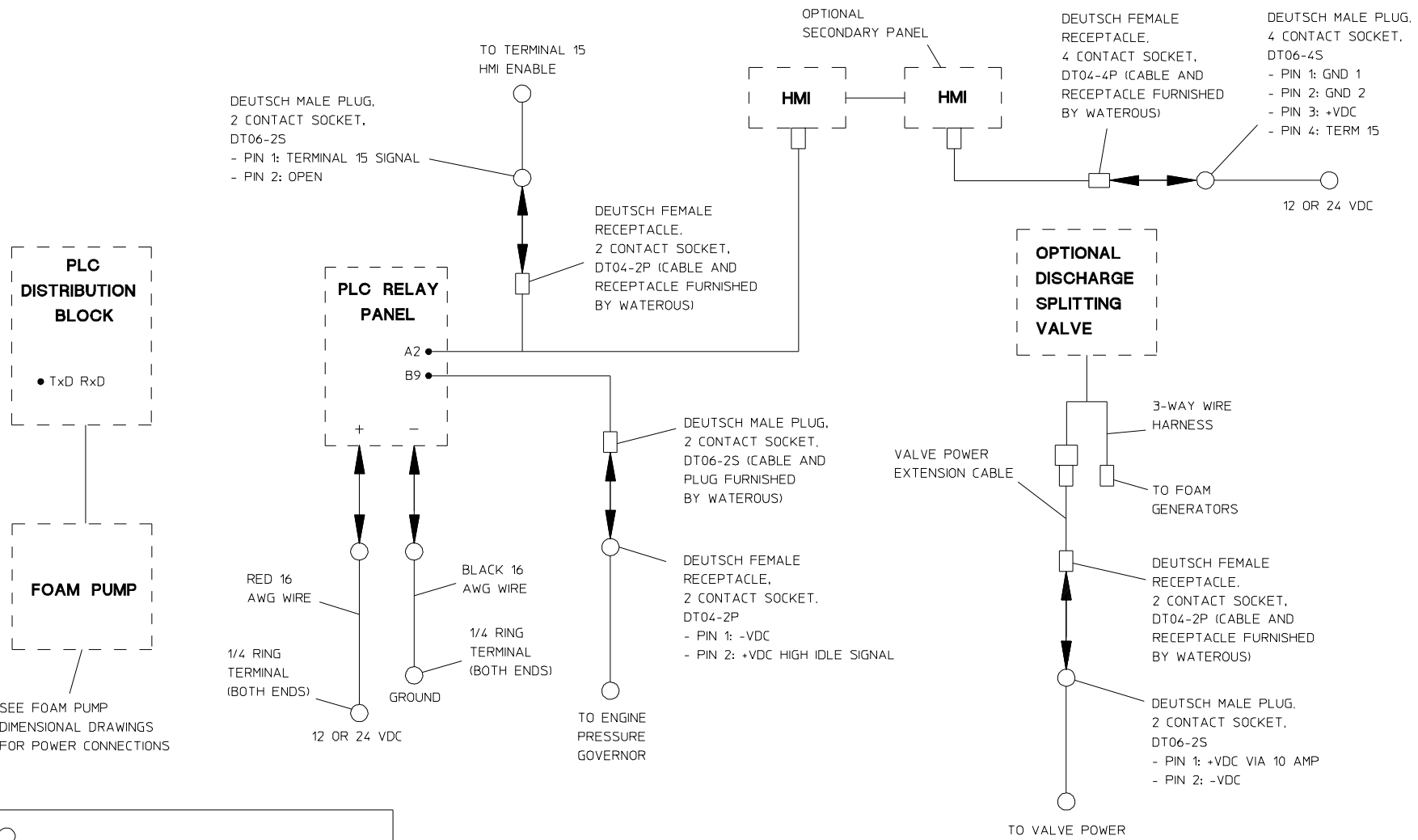






**TRIPLE FOAM GENERATORS**





○ — ○  
**CONNECTIONS MADE BY OEM,  
 CABLES, WIRES AND CONNECTORS  
 FURNISHED BY OEM**

**CABLES FURNISHED BY OEM**  
 ALL CONFIGURATIONS