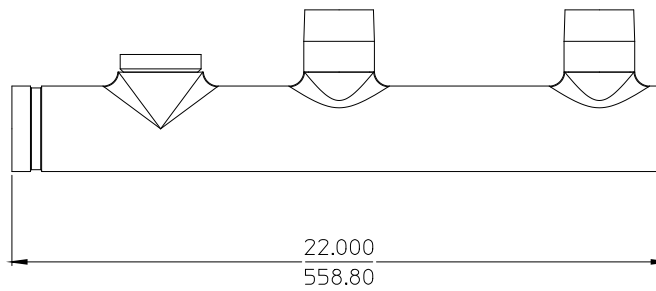
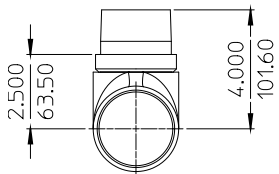
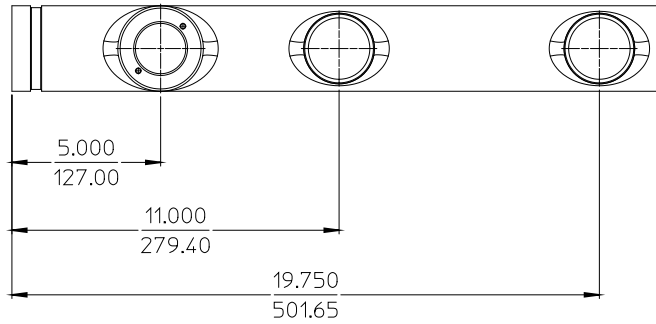
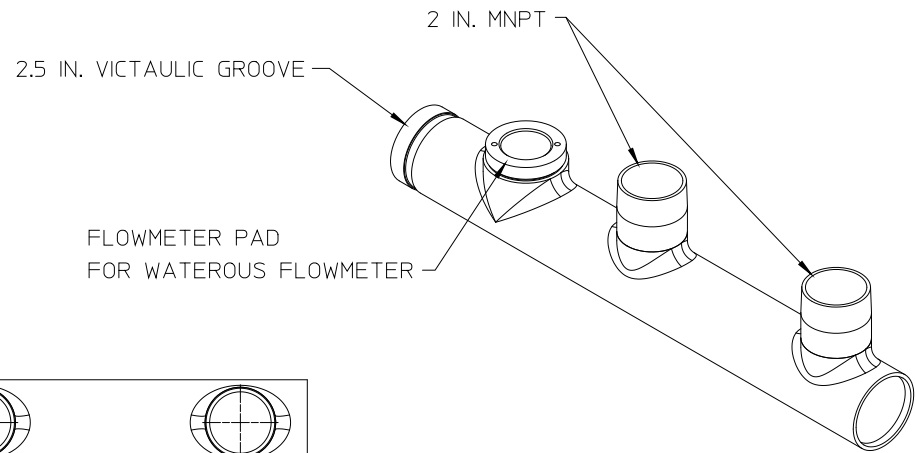




Document Number DPL83682	Issue Date 12/7/16	Rev Date
------------------------------------	------------------------------	----------

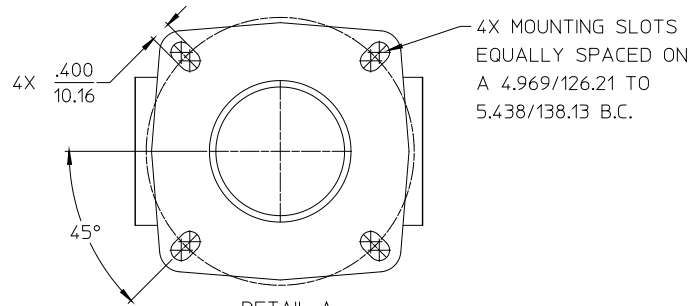
CAF Discharge Manifold Dimensional Drawings

Inlet		Outlets	Flowmeter Mounting Pad	Part No.	See Page
Size	Connection				
2-1/2 in.	2-1/2 in. Victaulic	Two 2 in. NPT (M)	Yes	Q-0324282	2
		One 2-1/2 in. Flange and Two 2 in. Flanges	Yes	Q-0324225	3
		Three 2 in. Flanges	Yes	Q-0324302	4

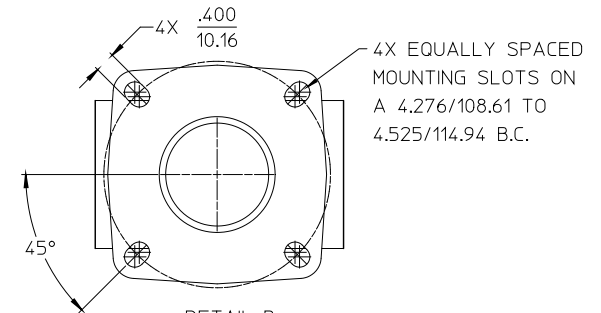
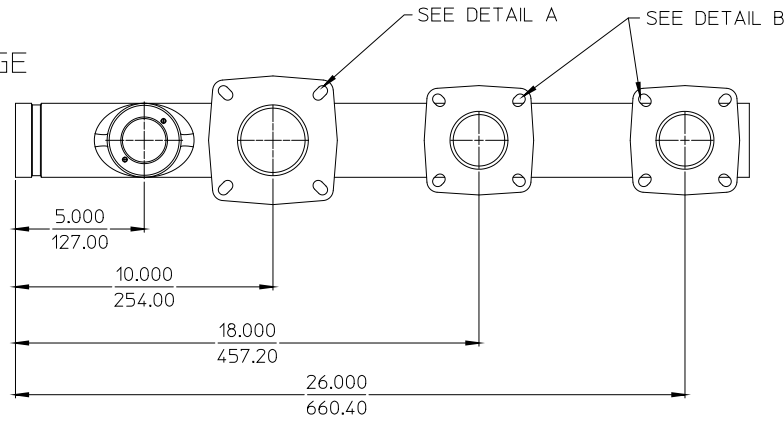
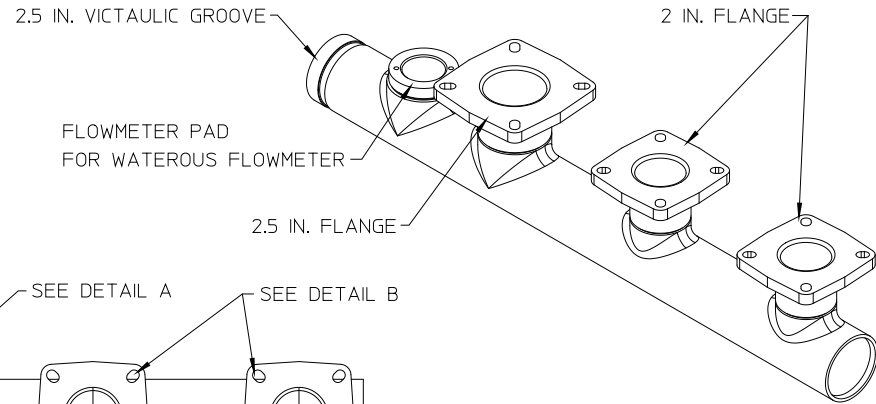


ALL DIMENSIONS SHOWN AS INCH/MILLIMETER
($\frac{\text{INCH}}{\text{MILLIMETER}}$)

TWO 2 IN. NPT (M)
PART NO. Q-0324282

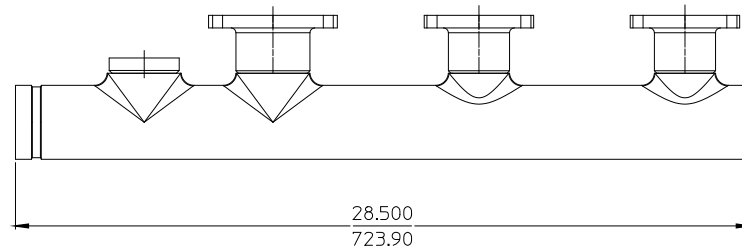
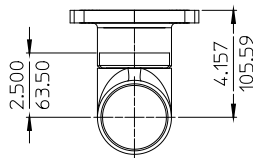


DETAIL A
SCALE 1:1
2.5 IN. FLANGE

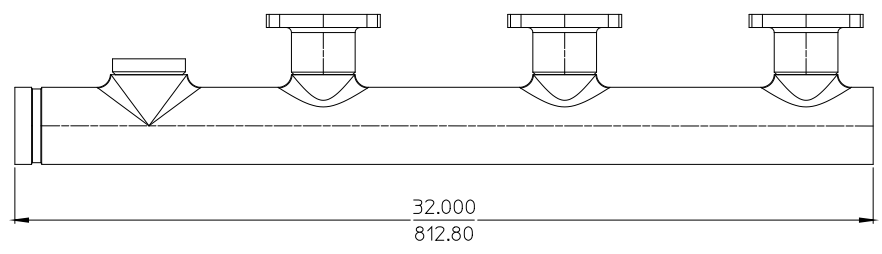
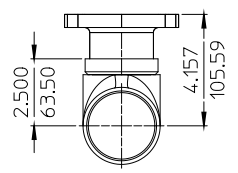
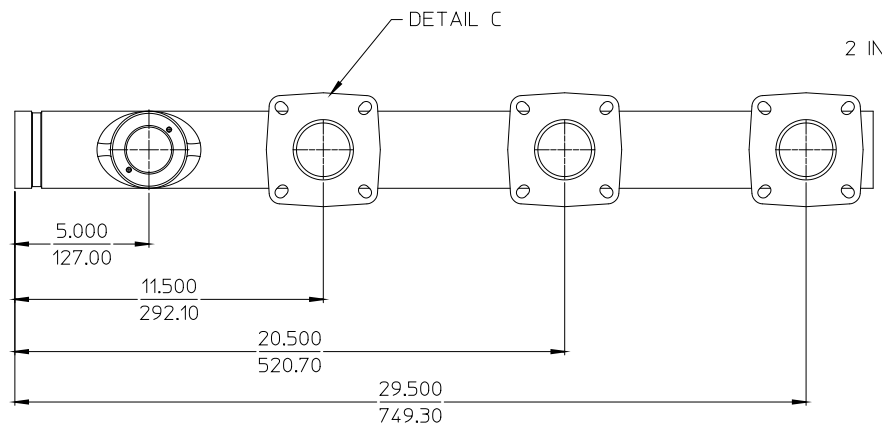
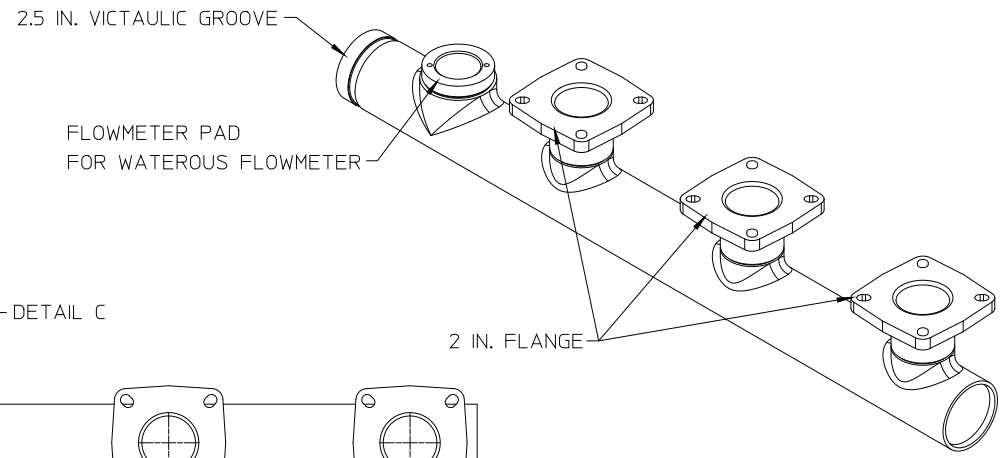
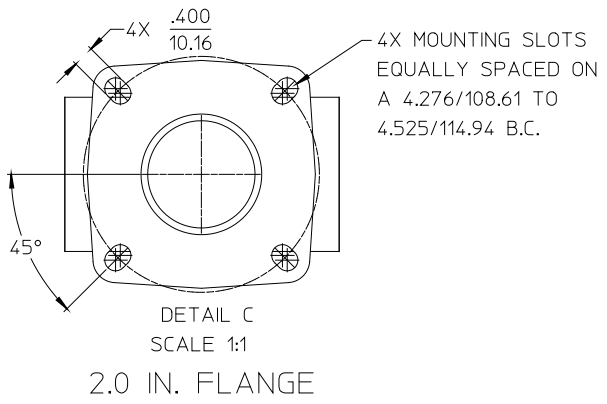


DETAIL B
SCALE 1:1
2.0 IN. FLANGE

ALL DIMENSIONS SHOWN AS INCH/MILLIMETER
($\frac{\text{INCH}}{\text{MILLIMETER}}$)



ONE 2-1/2 IN. FLANGE AND TWO 2 IN. FLANGES
PART NO. Q-0324225



ALL DIMENSIONS SHOWN AS INCH/MILLIMETER
($\frac{\text{INCH}}{\text{MILLIMETER}}$)

THREE 2 IN. FLANGES
PART NO. Q-0324302