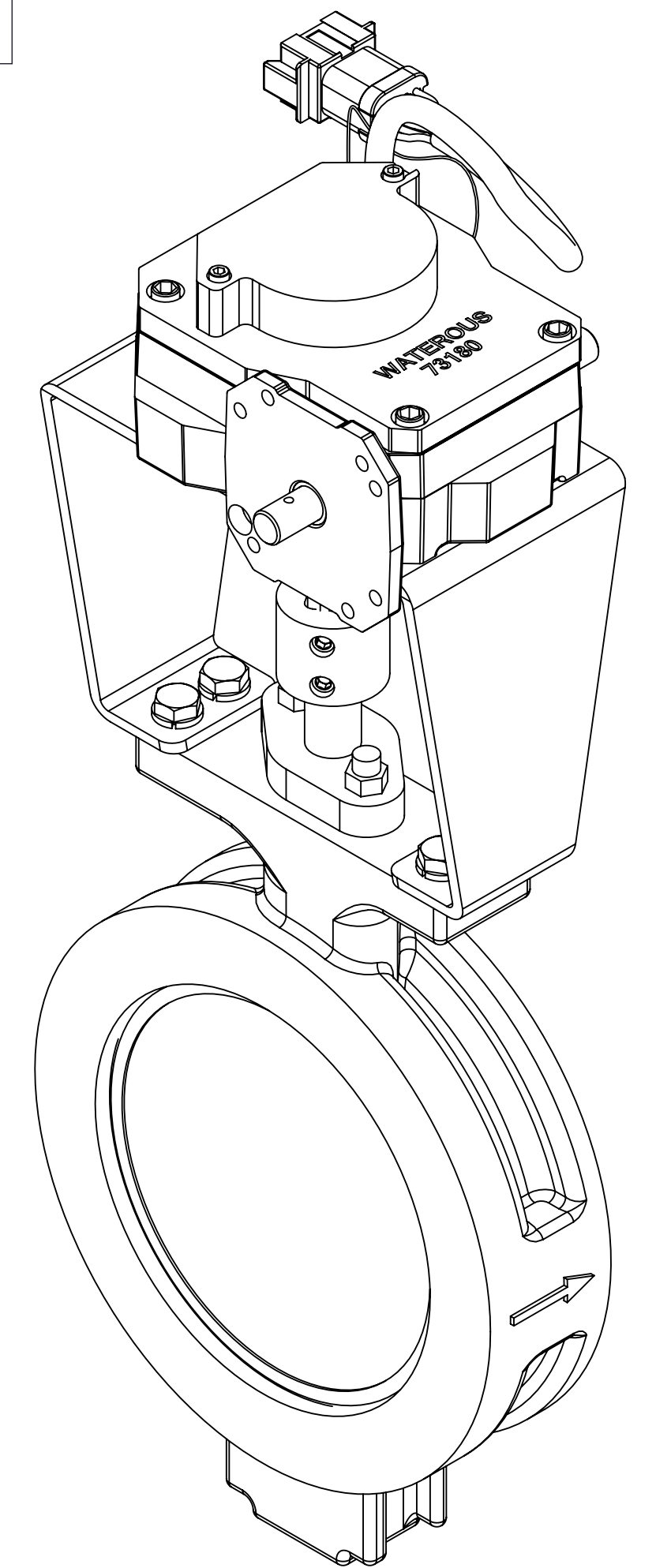
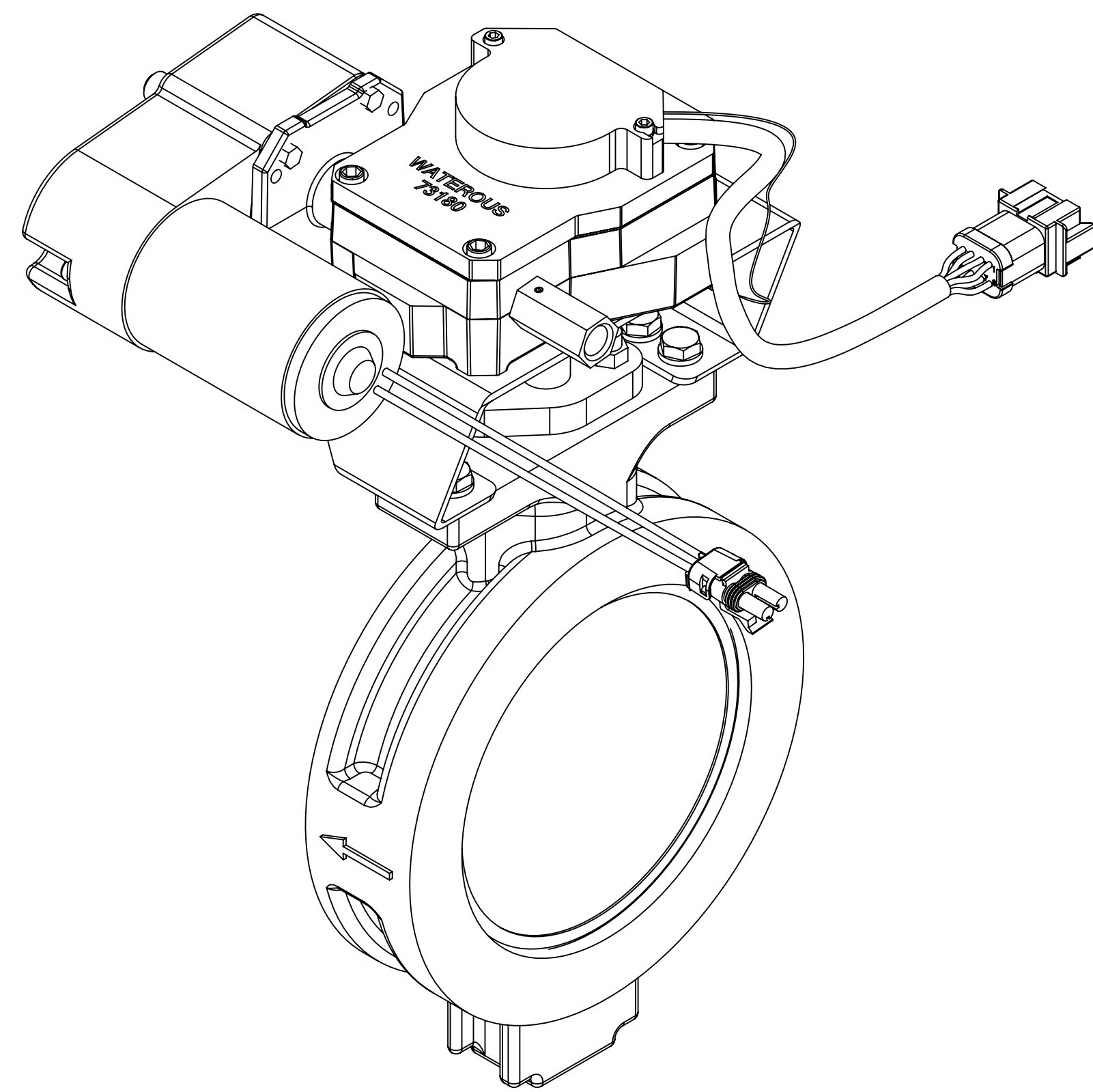
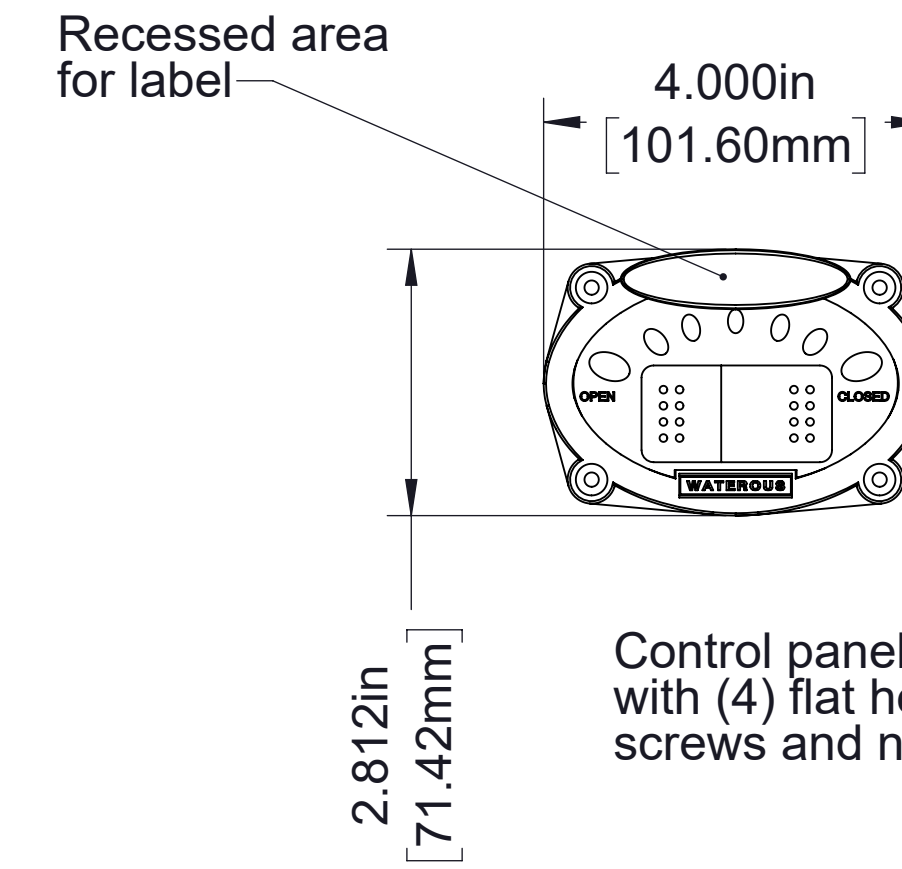
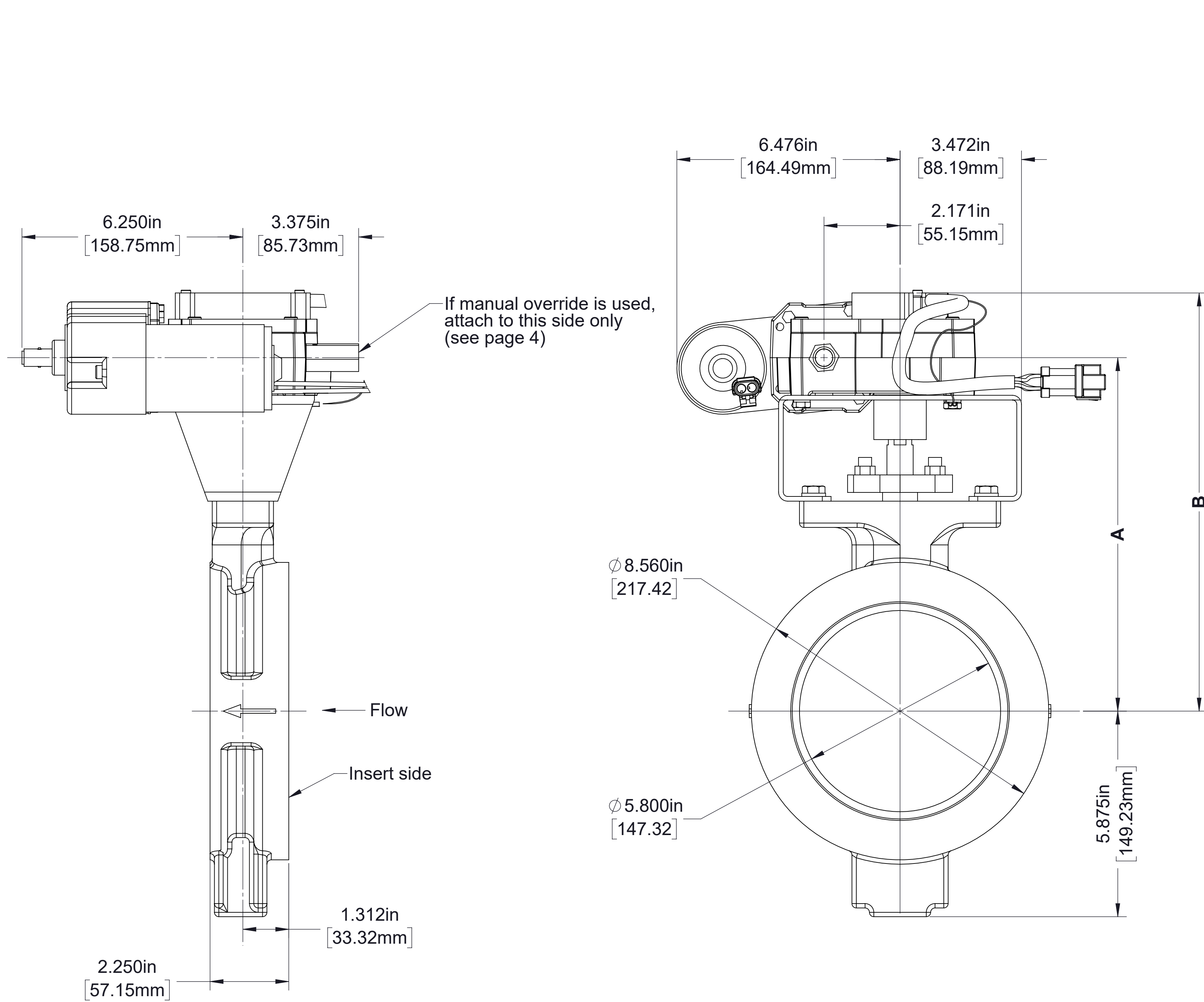


Waterous Butterfly Valve Dimensional Drawing

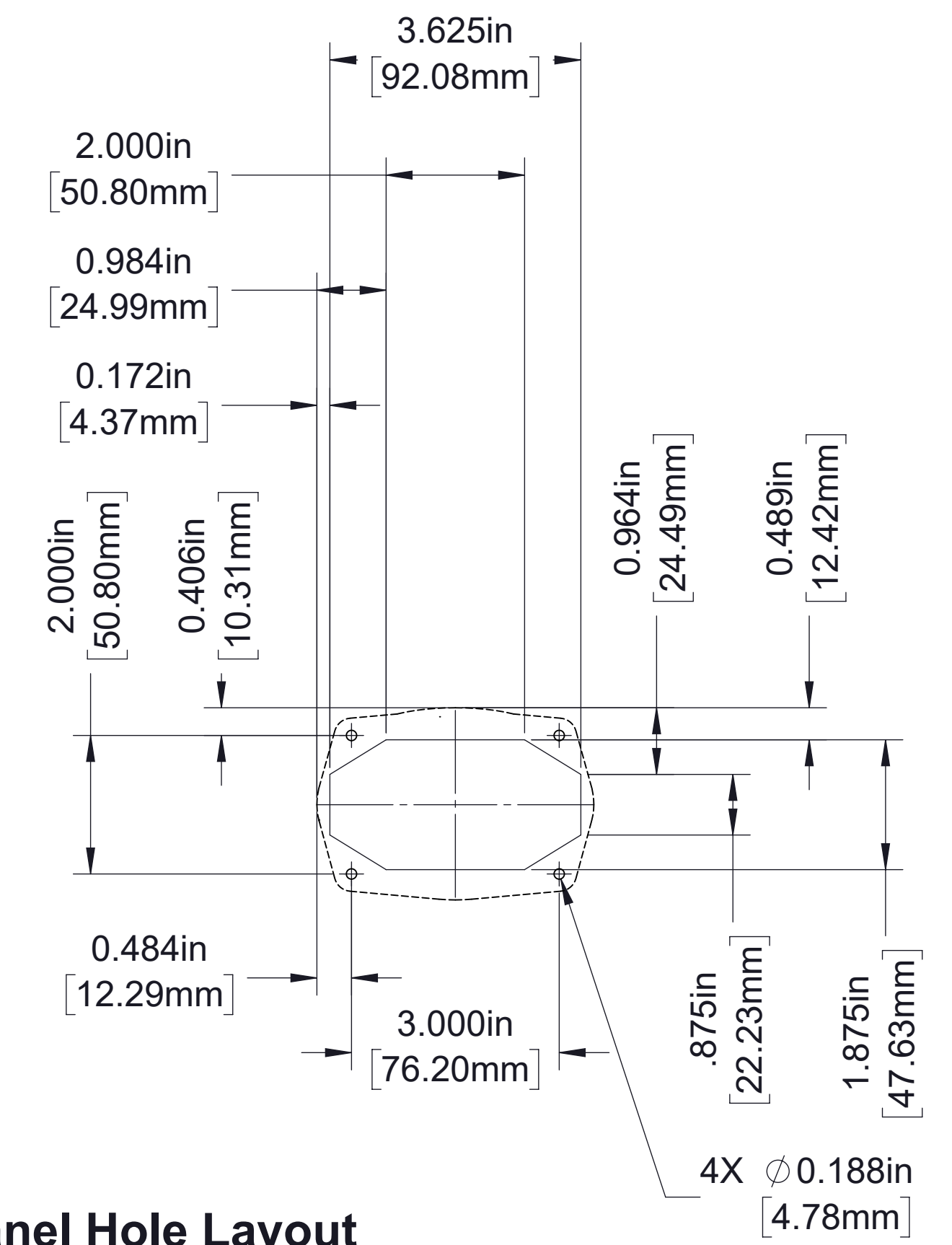
Valve		Motor Orientation	Actuator Height	See Page
Size	Operator			
6 in.	Electric Actuator	Horizontal	Short	2
			Tall	
		Vertical	Short	3
			Tall	
	Optional Manual Override			4
	Manual Actuator, Indicating	--	Short	5
Tall				
Manual Actuator, Non-Indicating		--	--	6
	Pneumatic Actuator	--	--	7
8 in.	Manual Actuator, Indicating	--	--	8
Fittings for 6 in. Butterfly Valves				9
Fittings for 8 in. Butterfly Valves				10



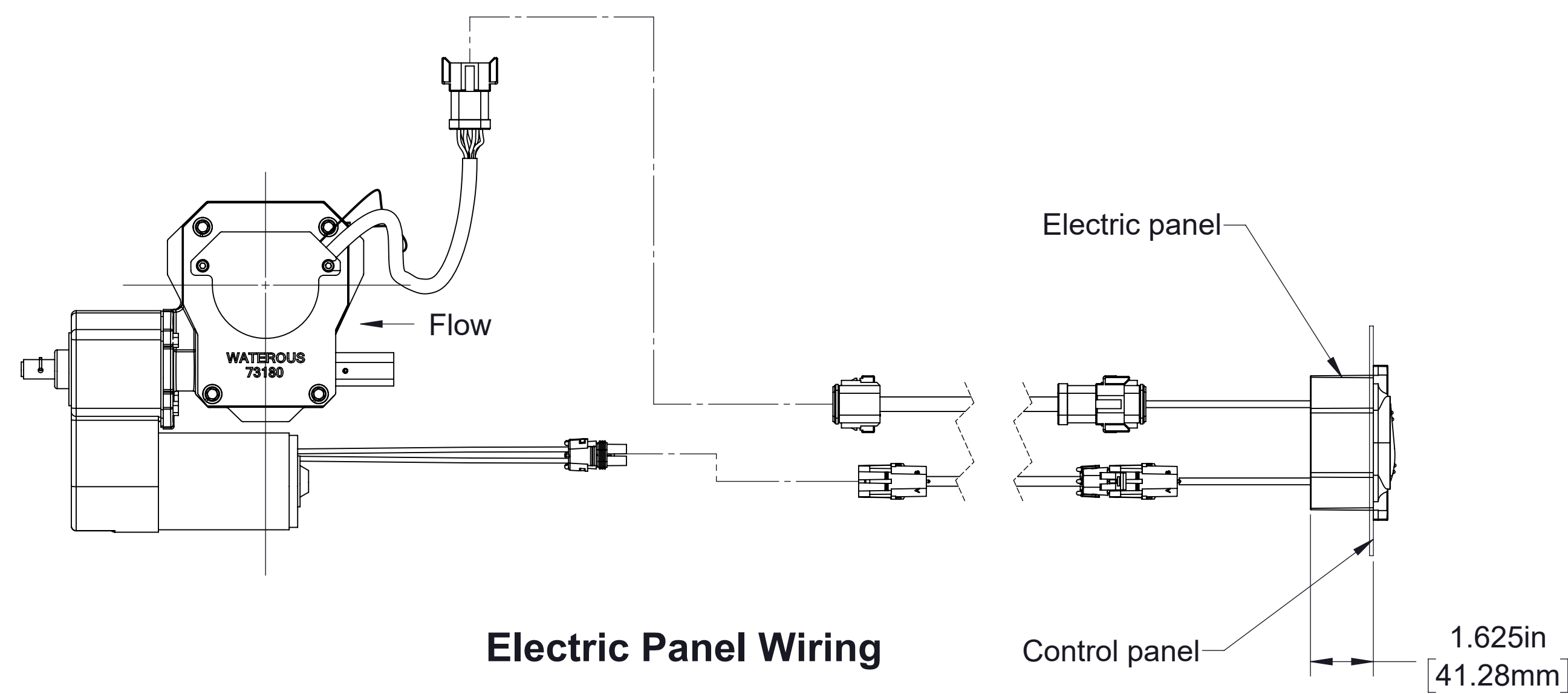
6 in. Valve, Electric Actuator, Horizontal Motor



Electric Panel Hole Layout



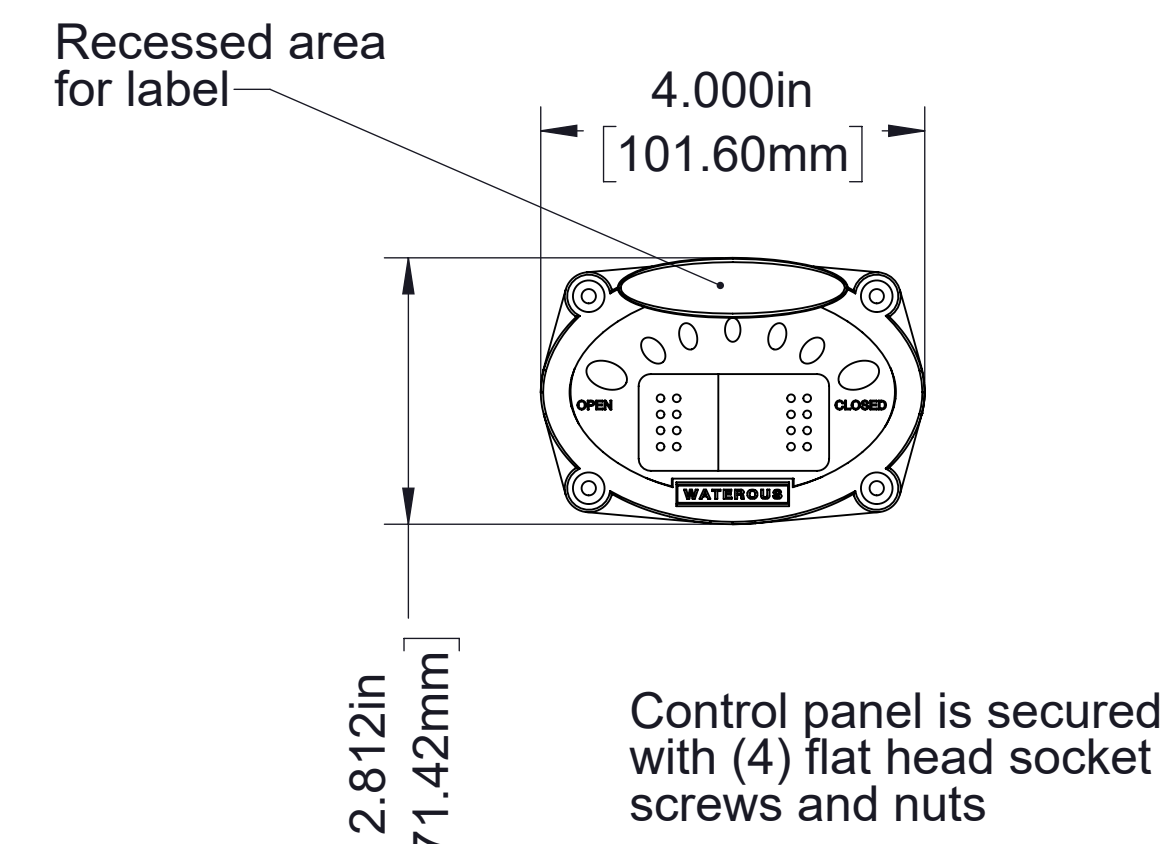
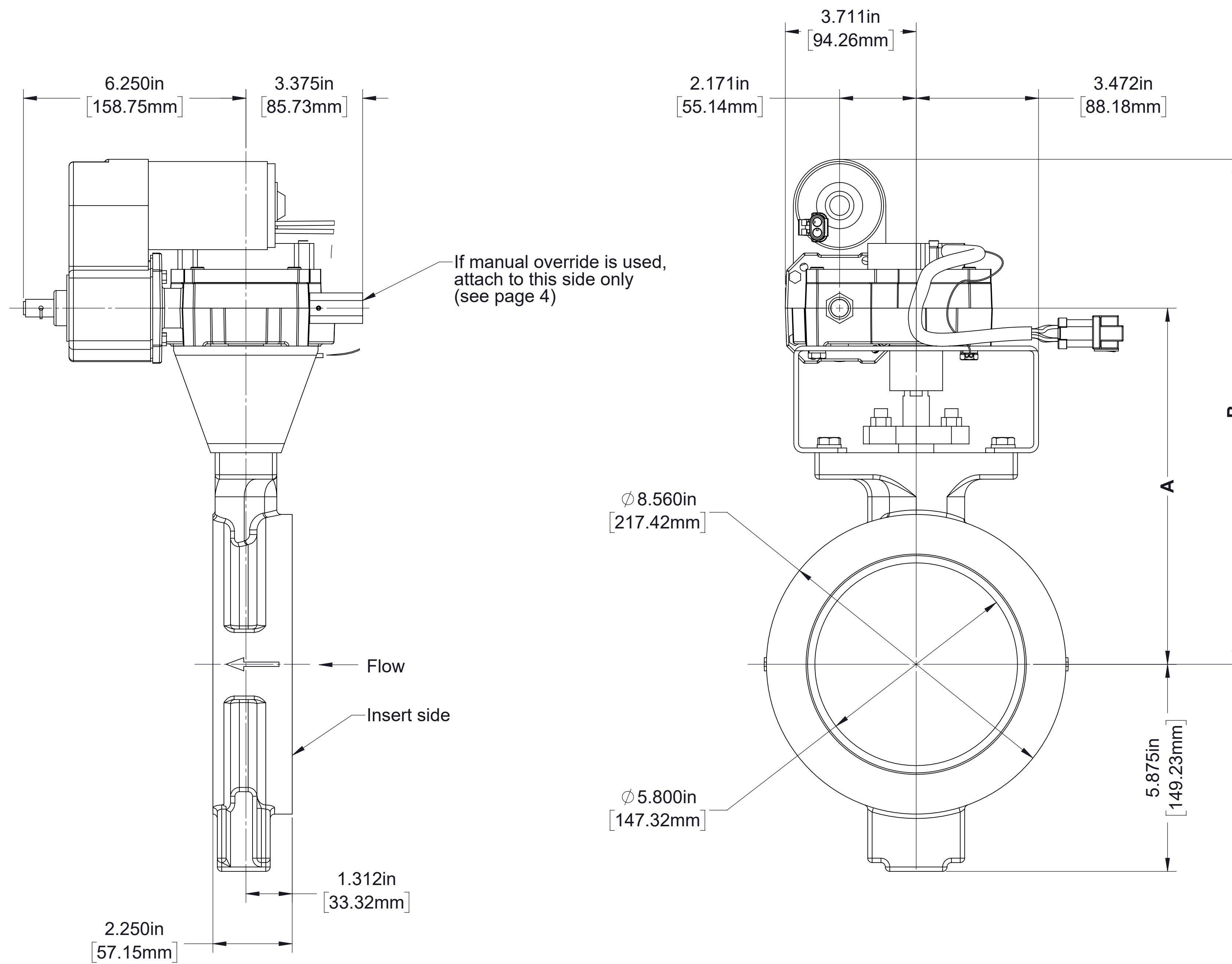
Note: Wiring furnished with valve is 10 feet long, if longer wire is needed, order 10 foot wire extension kit K 1100



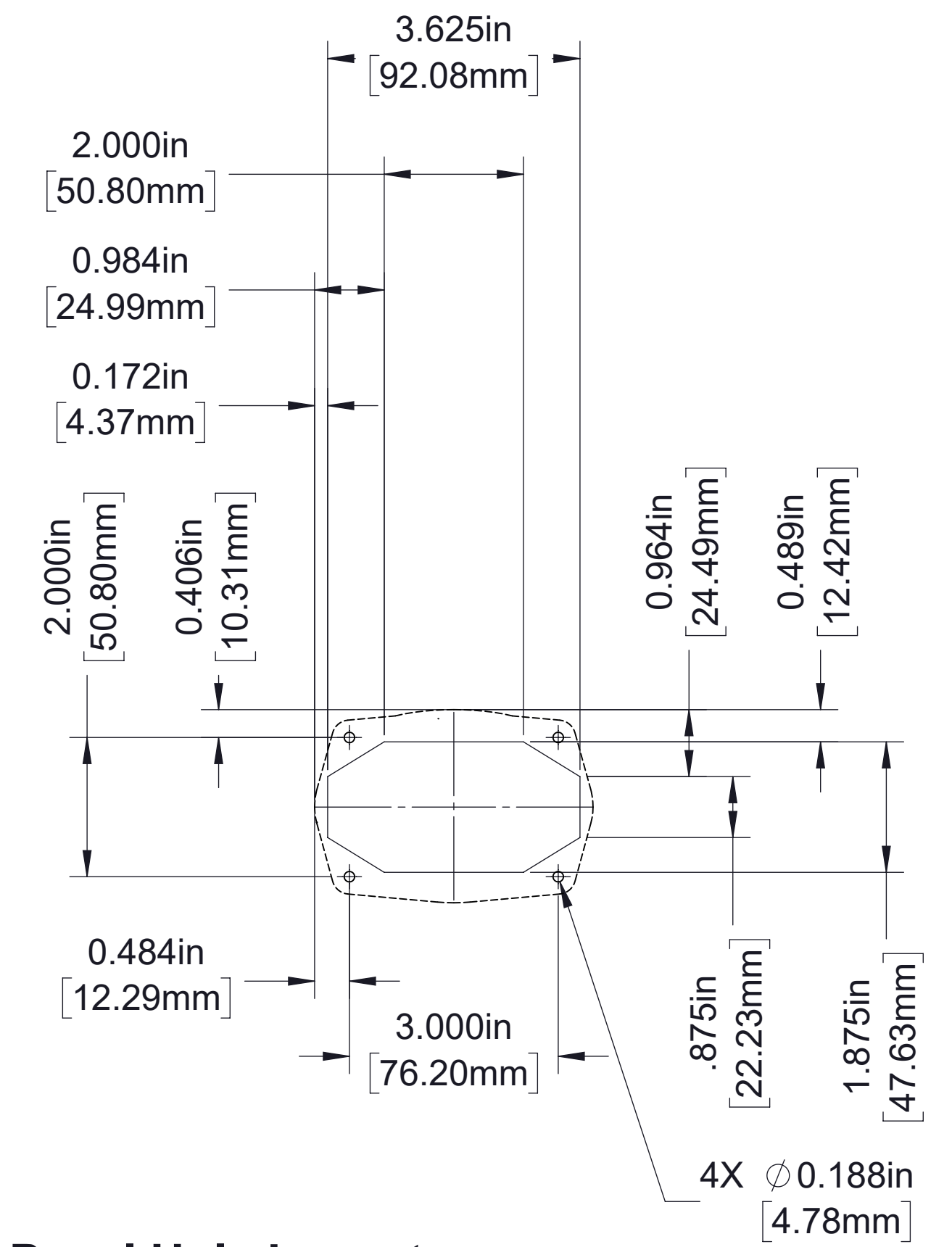
Electric Panel Wiring

Order Part Number as Required					
Actuator Height	Voltage	Part Number		Dimension	
		Valve Mounted on Pump by Waterous	Valve Shipped Loose (Includes (2) 910902 gaskets)	A	B
Short	12	82743-1E	82743-1G	10.100/256.54	11.920/302.77
	24	82743-1F	82743-1H		
Tall	12	82743-5A	82743-5B	13.000/330.20	14.820/376.43
	24	82743-5C	82743-5D		

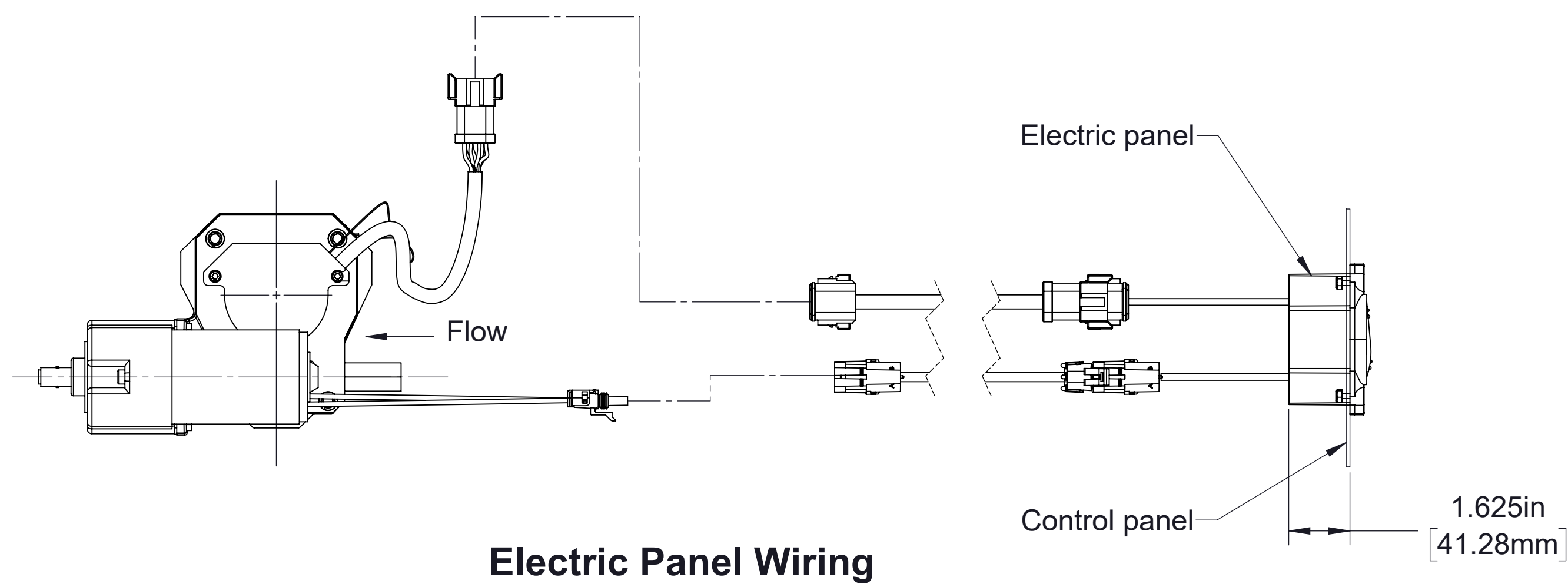
6 in. Valve, Electric Actuator, Vertical Motor



Electric Panel Hole Layout



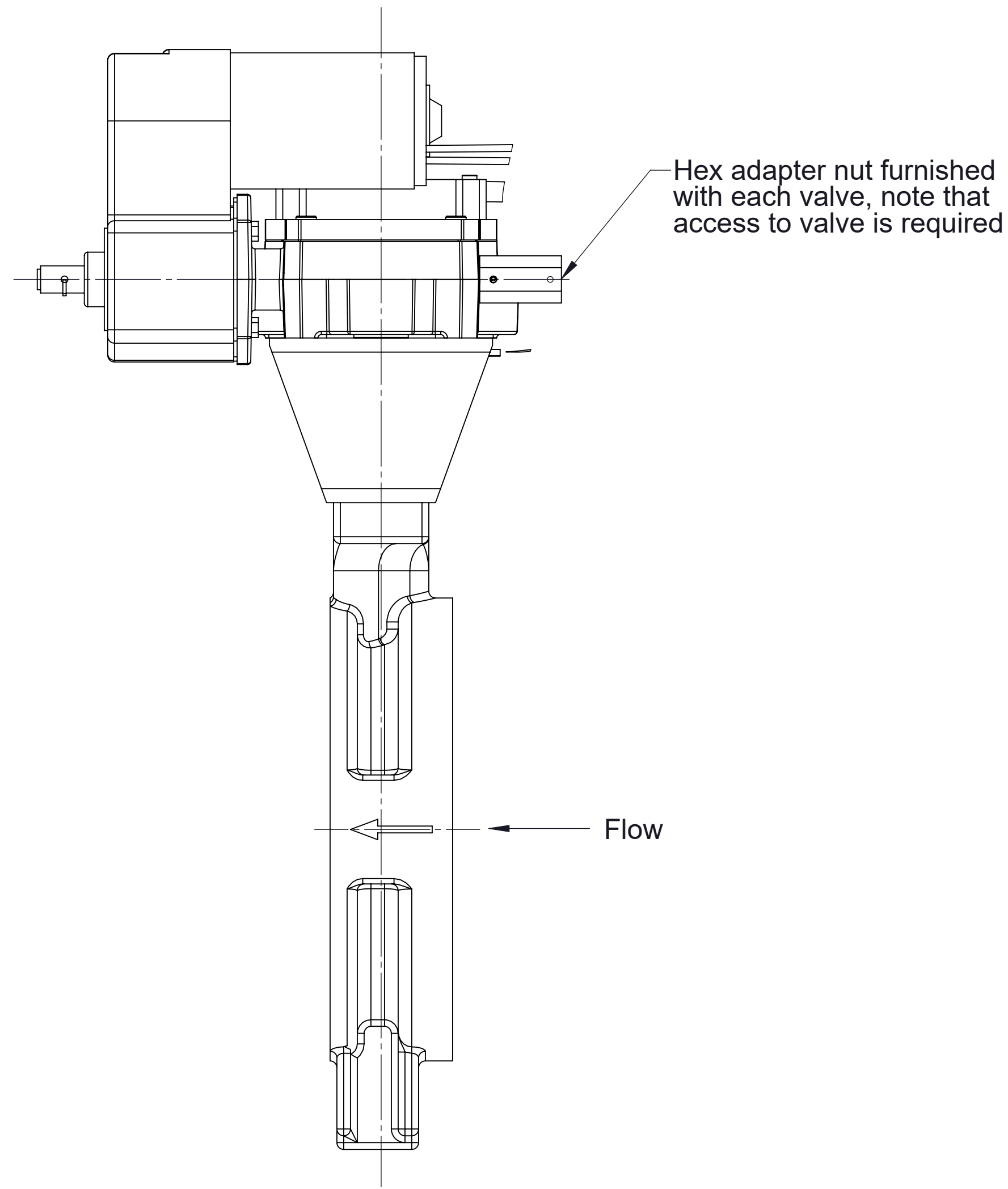
Note: Wiring furnished with valve is 10 feet long, if longer wire is needed, order 10 foot wire extension kit K 1100



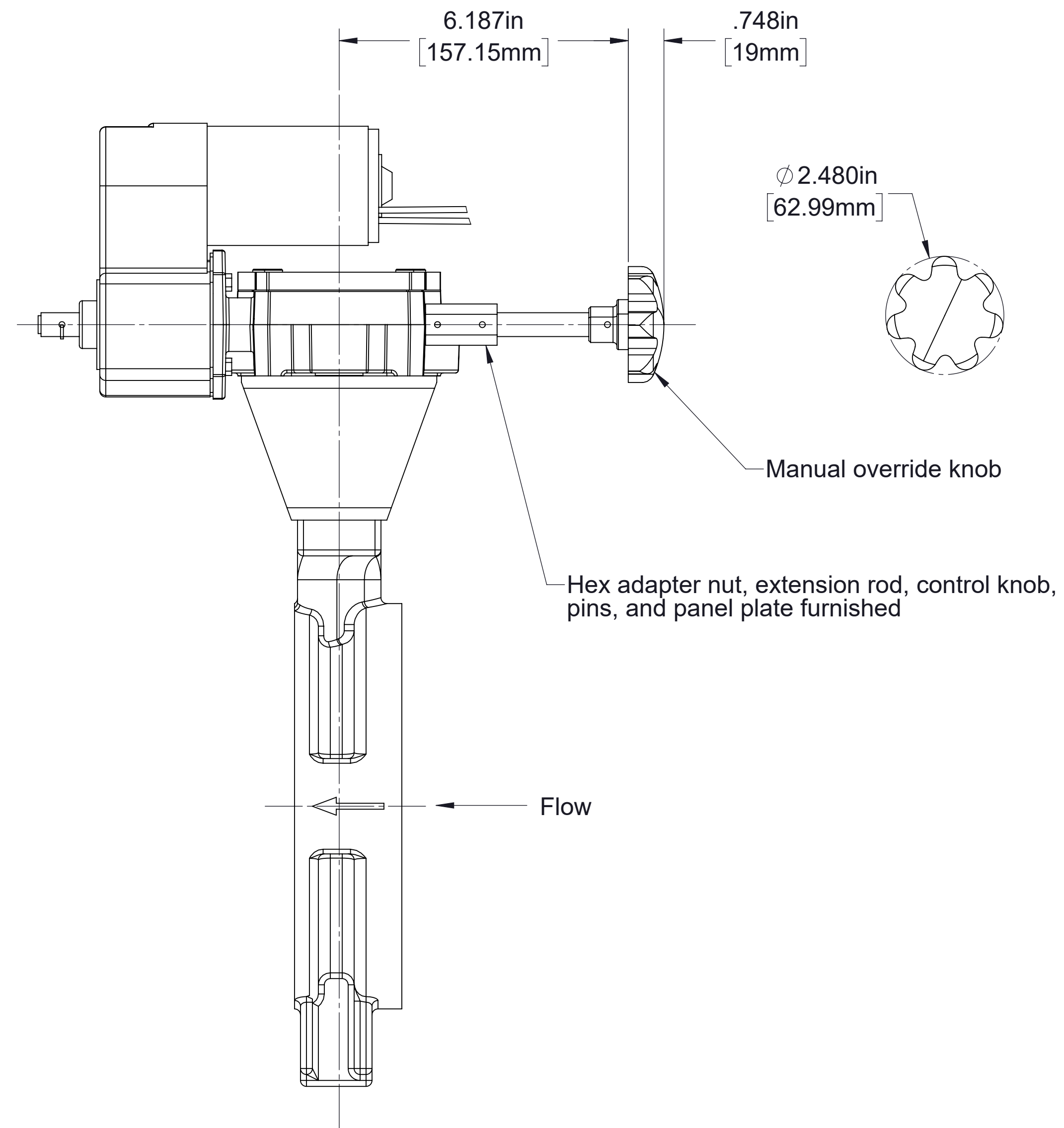
Electric Panel Wiring

Order Part Number as Required					
Actuator Height	Voltage	Part Number		Dimension	
		Valve Mounted on Pump by Waterous	Valve Shipped Loose (Includes (2) 910902 gaskets)	A	B
Short	12	82743-1J	82743-1L	10.100/256.54	14.405/365.89
	24	82743-1K	82743-1M		
Tall	12	82743-5E	82743-5F	13.000/330.20	17.305/439.55
	24	82743-5G	82743-5H		

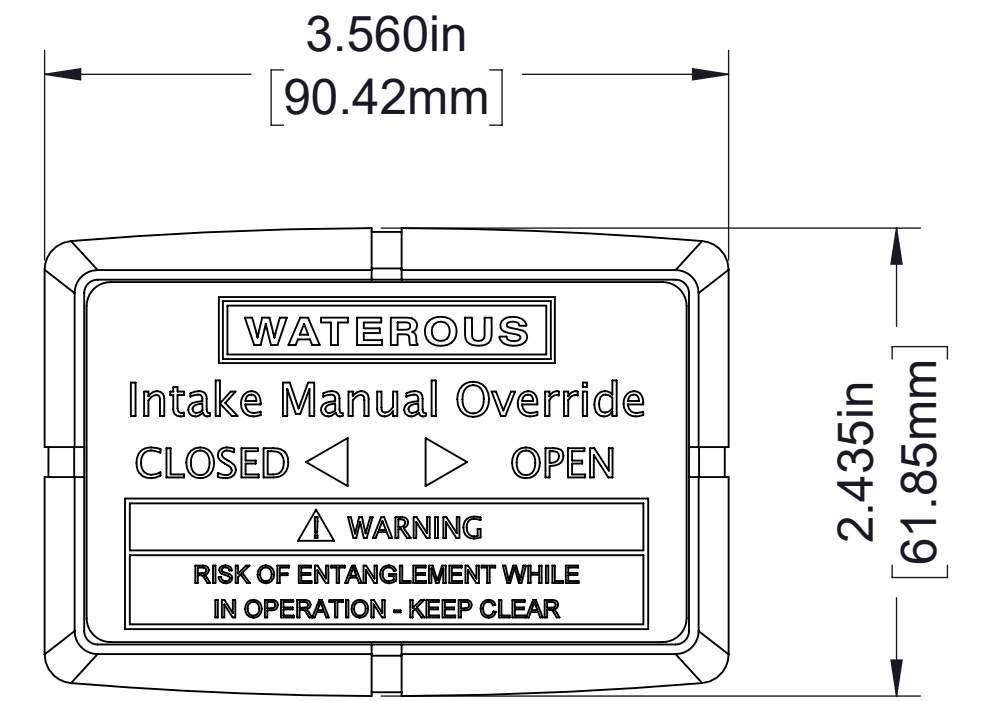
Optional Manual Override for Electric Actuator



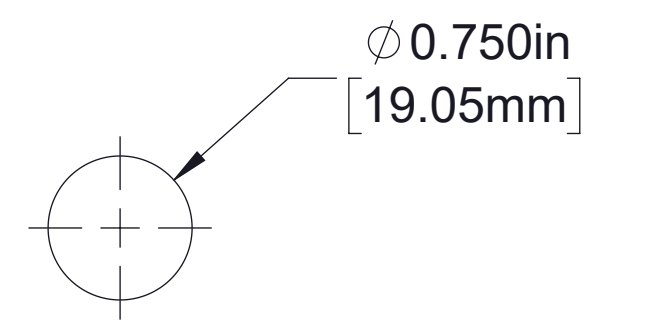
Override Behind Panel
Note that access to valve is required



Override On Panel
Order part number 82743-4B



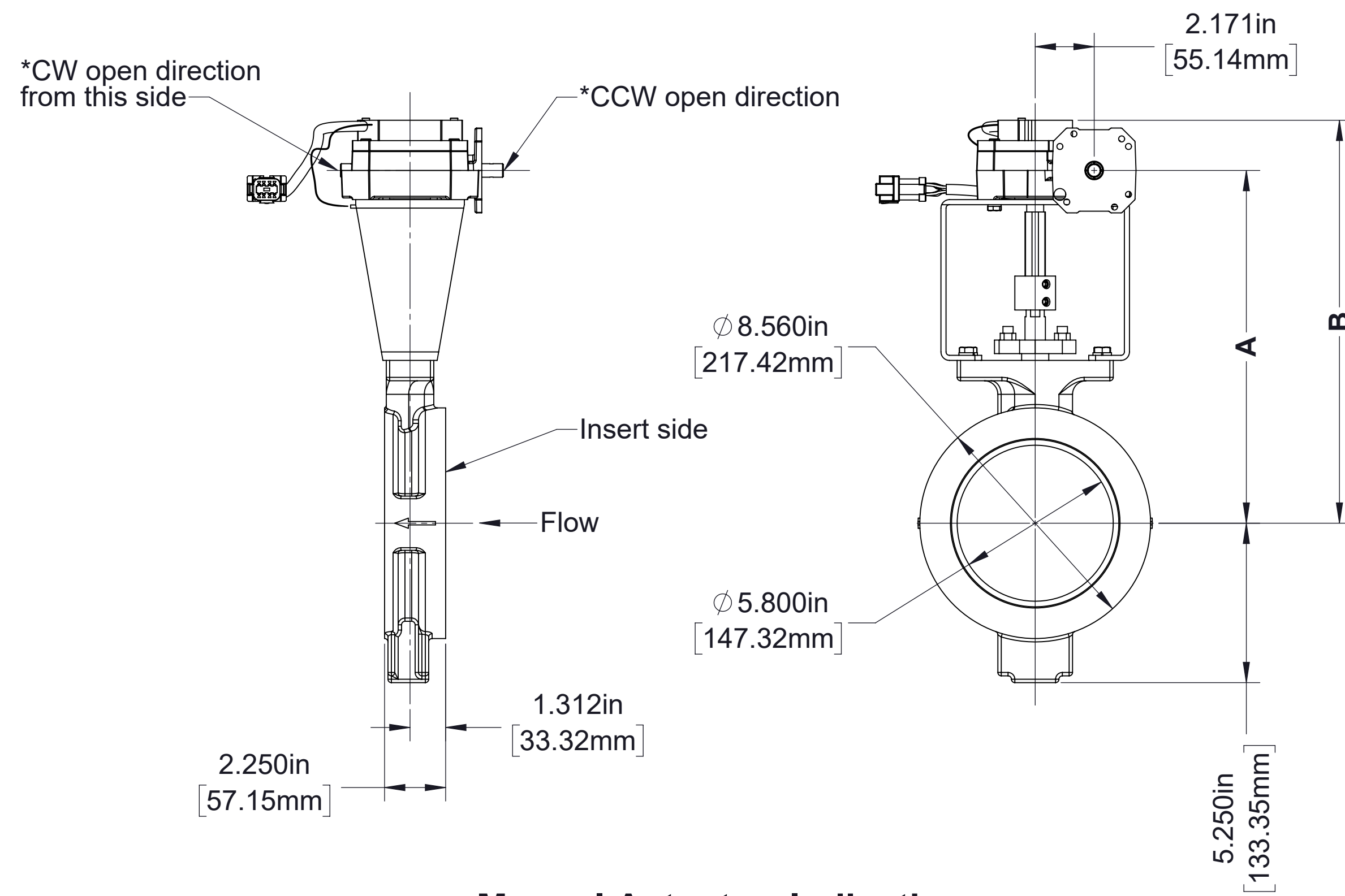
Panel Plate
Note: Plate is a self-adhesive hanging plate



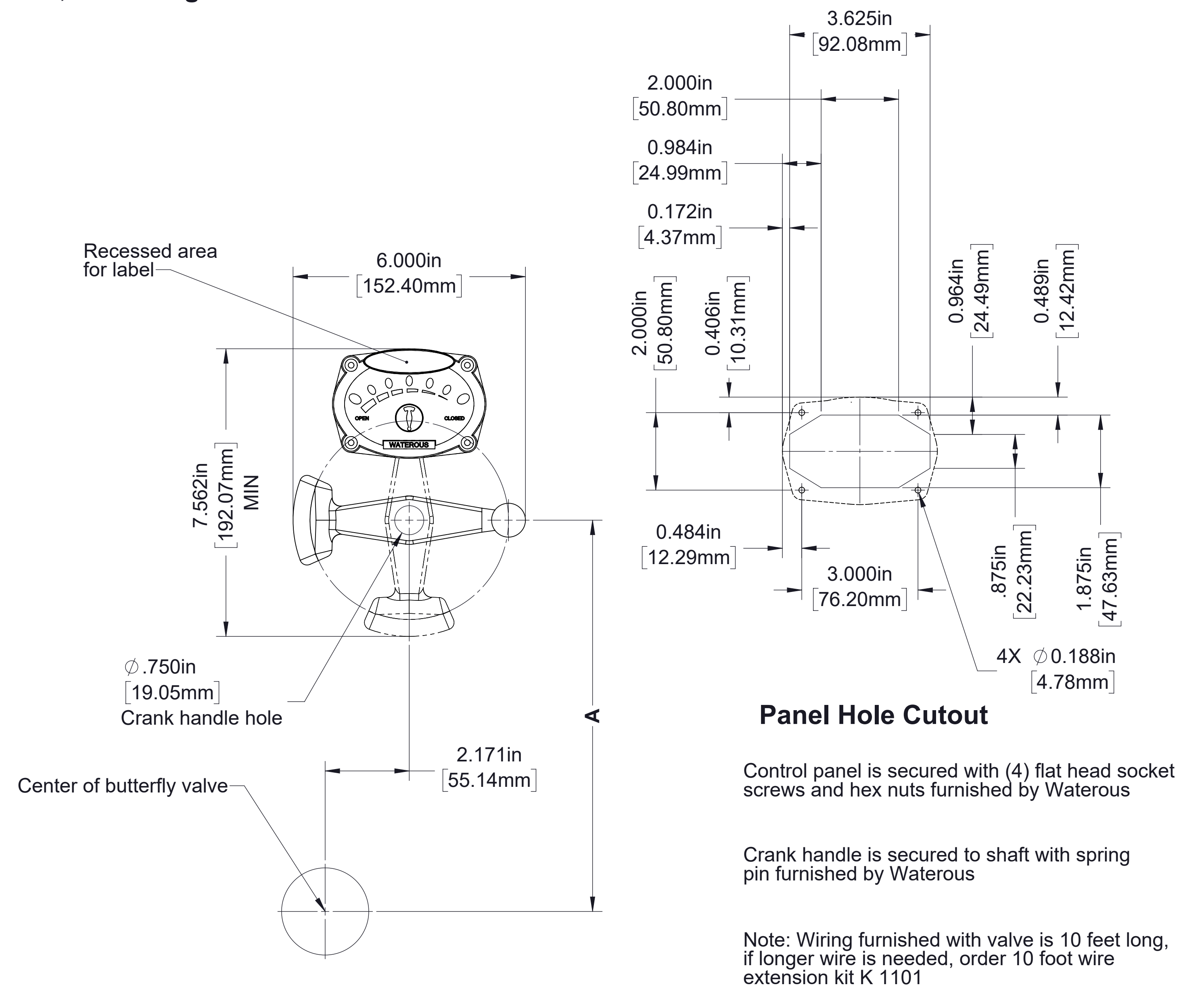
Panel Opening

6 in. Valve, Manual Actuator, Indicating

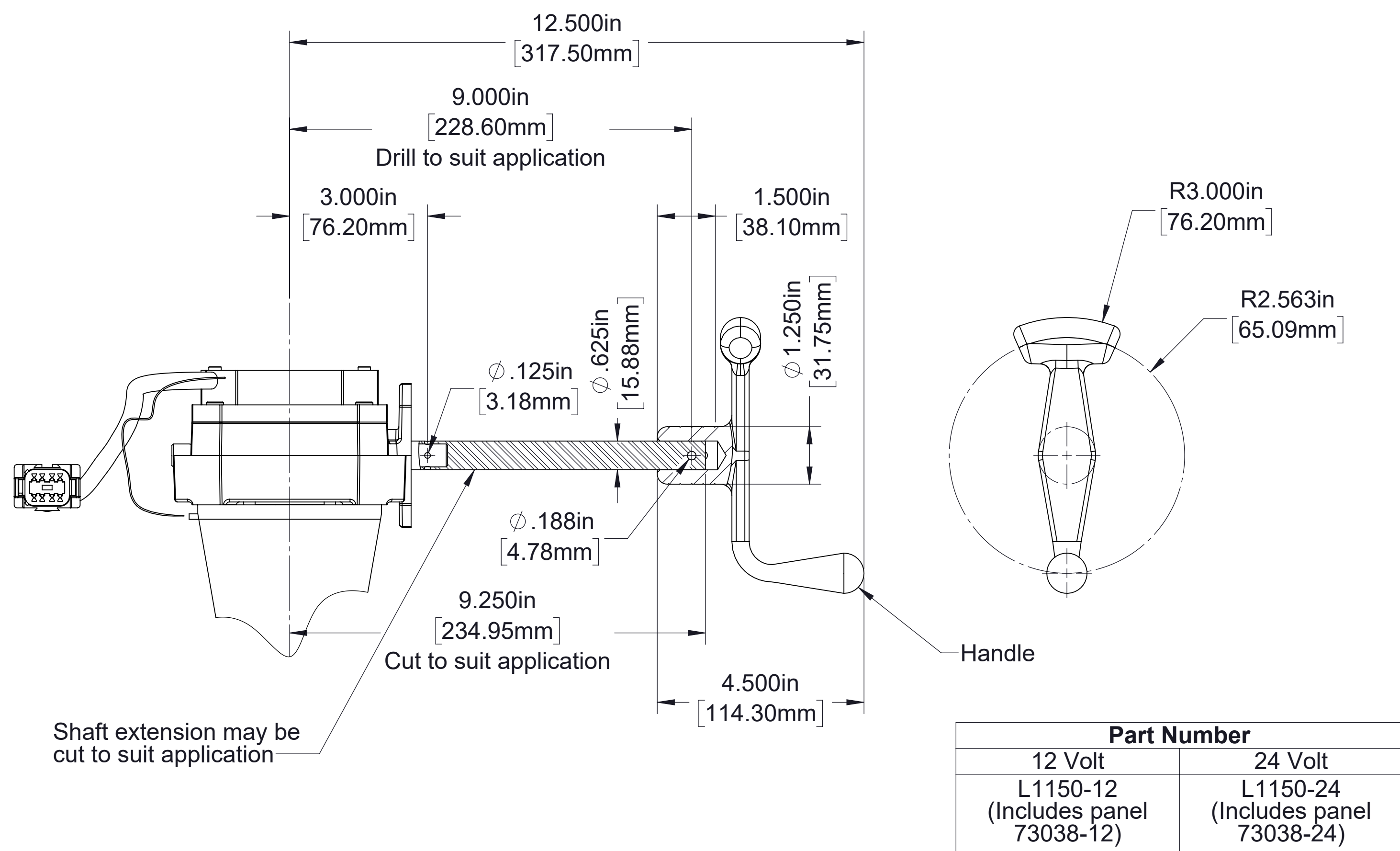
*Actuator attached to valve as shown at the factory. Actuator may be rotated 180 degrees for opposite actuation.



Manual Actuator, Indicating



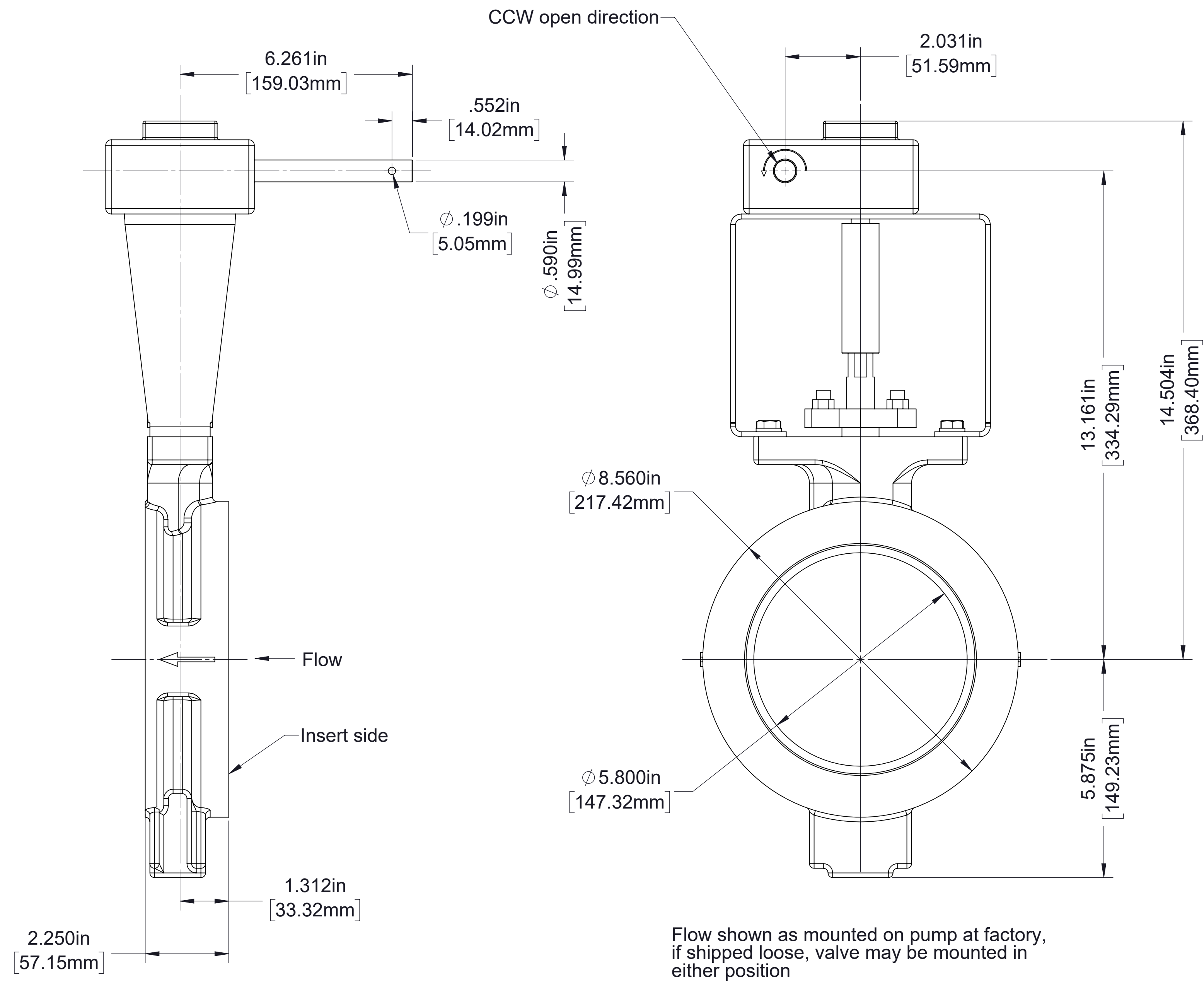
Manual Actuator Control Panel



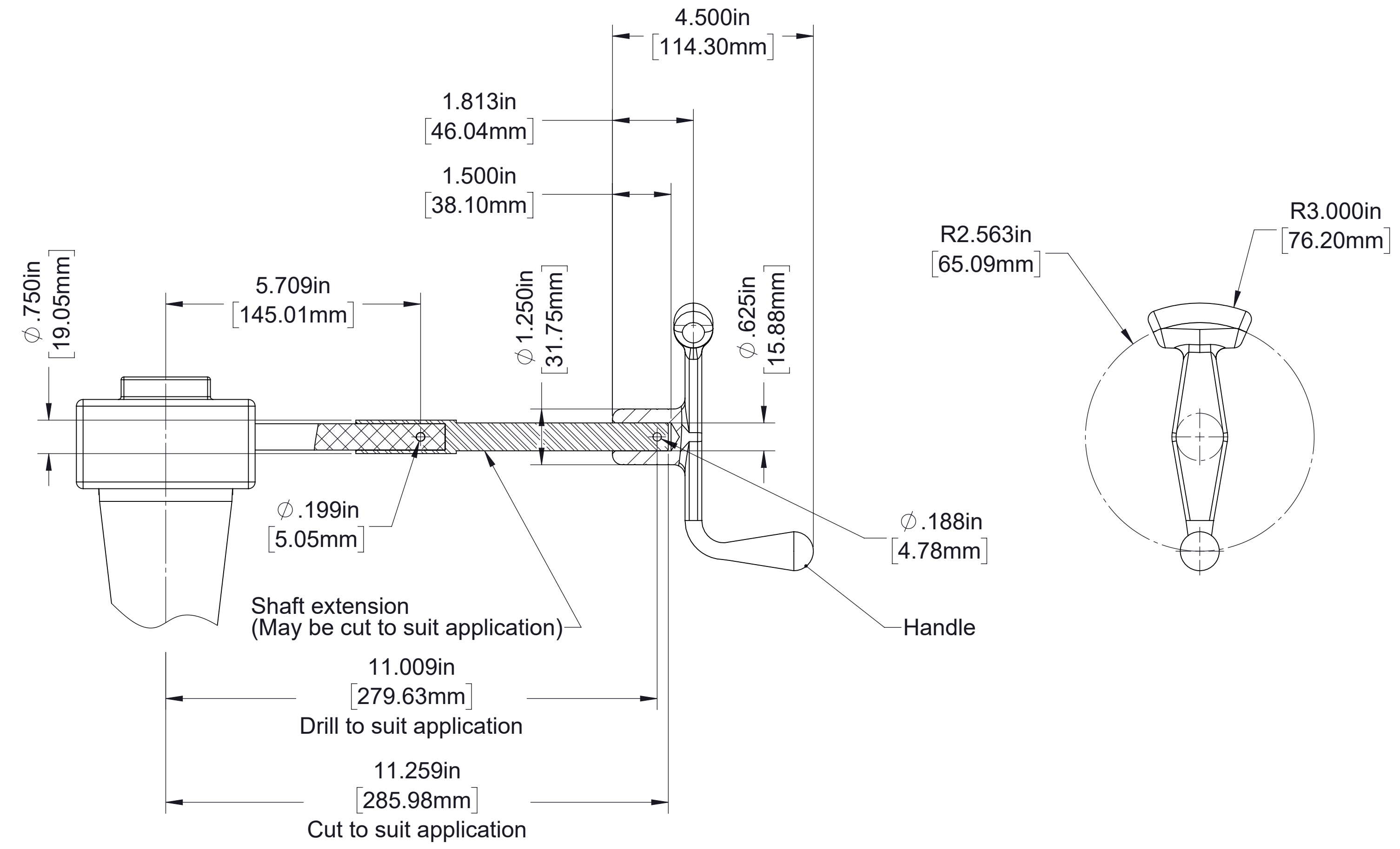
Manual Butterfly Valve Handle Kit
Furnished with each indicating manual valve

Order Part Number as Required					
Actuator Height	Voltage	Part Number		Dimension	
		Valve Mounted on Pump by Waterous	Valve Shipped Loose (Includes (2) 910902 gaskets)	A	B
Short	12	82743-3K	82743-3L	10.100/256.54	11.920/302.77
	24	82743-3M	82743-3N		
Tall	12	82743-3C	82743-3D	13.000/330.20	14.820/376.43
	24	82743-3E	82743-3F		

6 in. Valve, Manual Actuator, Non-Indicating



Manual Actuator
Non-Indicating

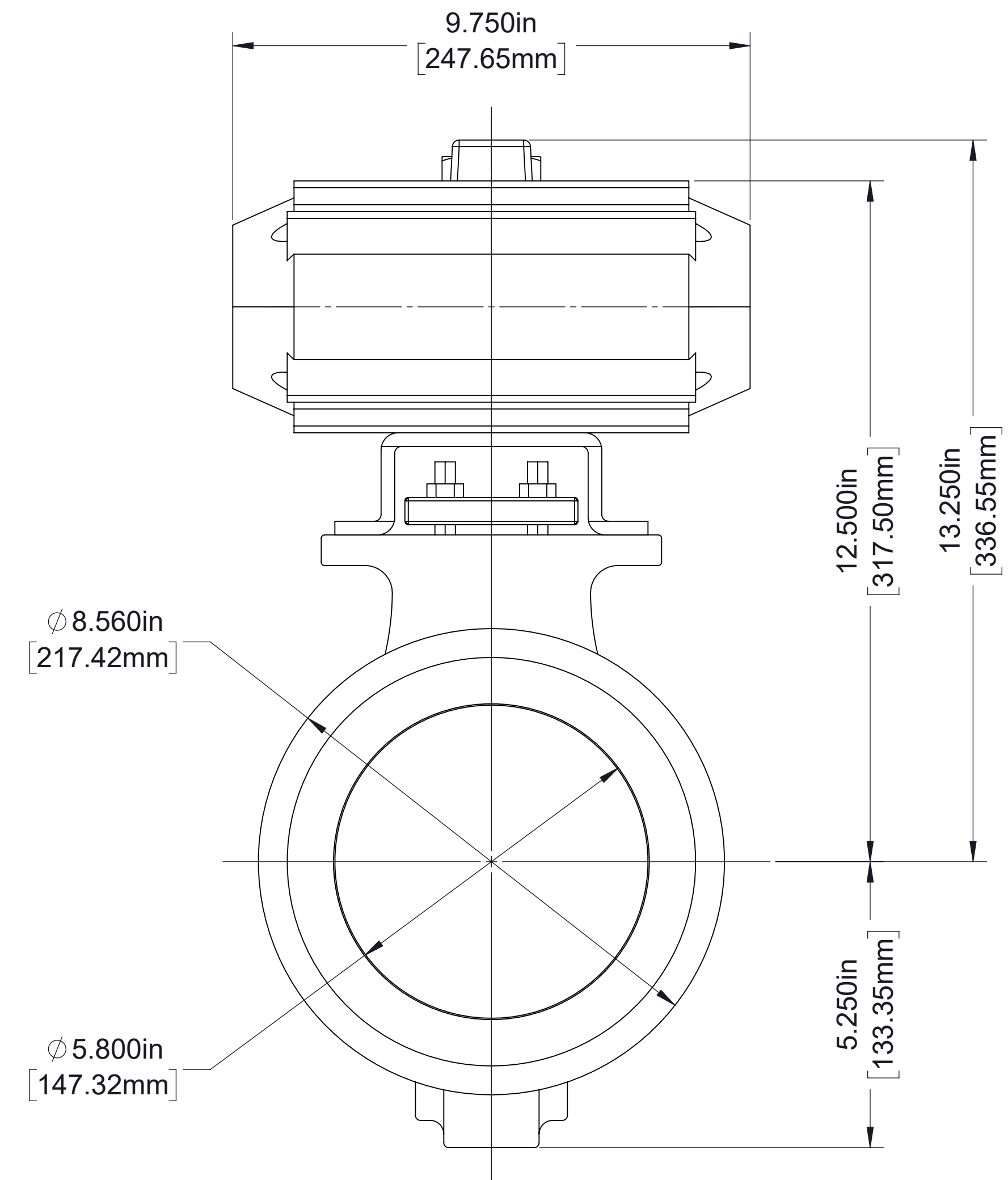
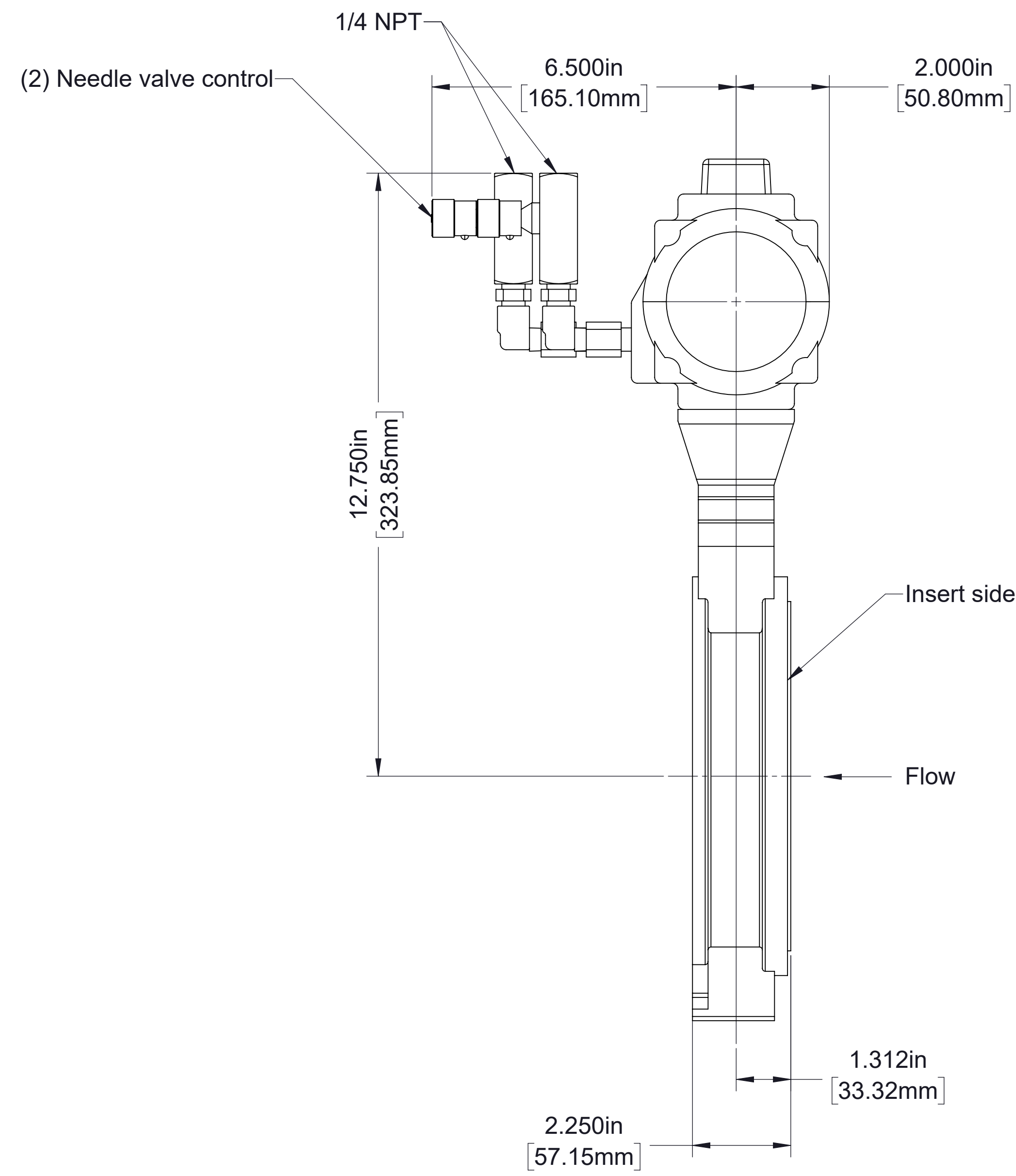


Manual Butterfly Valve Handle Kit
Furnished with each non-indicating manual valve

Part Number	
Valve Mounted on Pump	Valve Shipped Loose
K 1269	K 1269-1 (Includes (2) 910902 gaskets)

Order Part Number as Required	
Part Number	
Valve Mounted on Pump by Waterous	Valve Shipped Loose (Includes (2) 910902 gaskets)
82743-3P	82743-3R

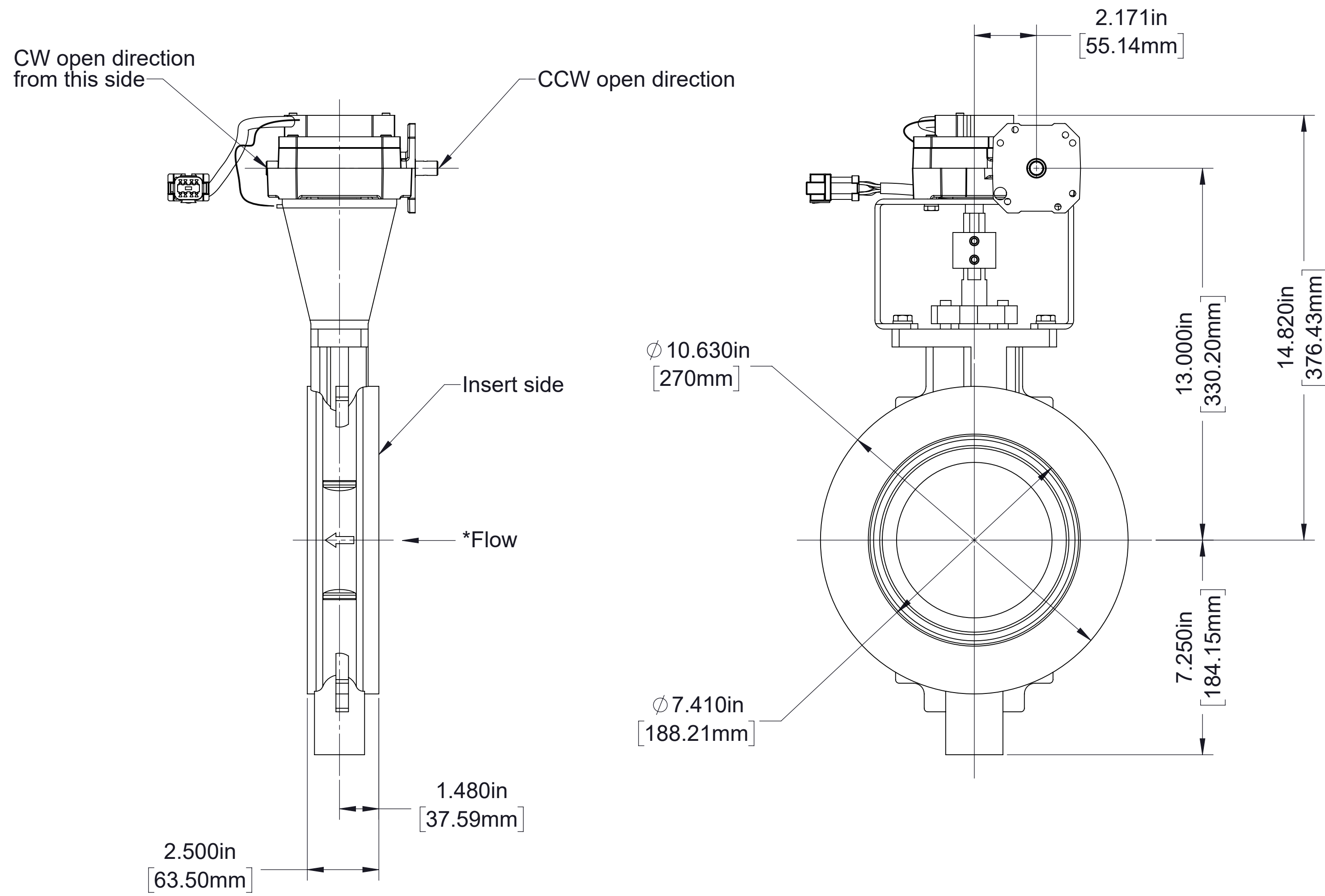
6 in. Valve, Pneumatic Actuator



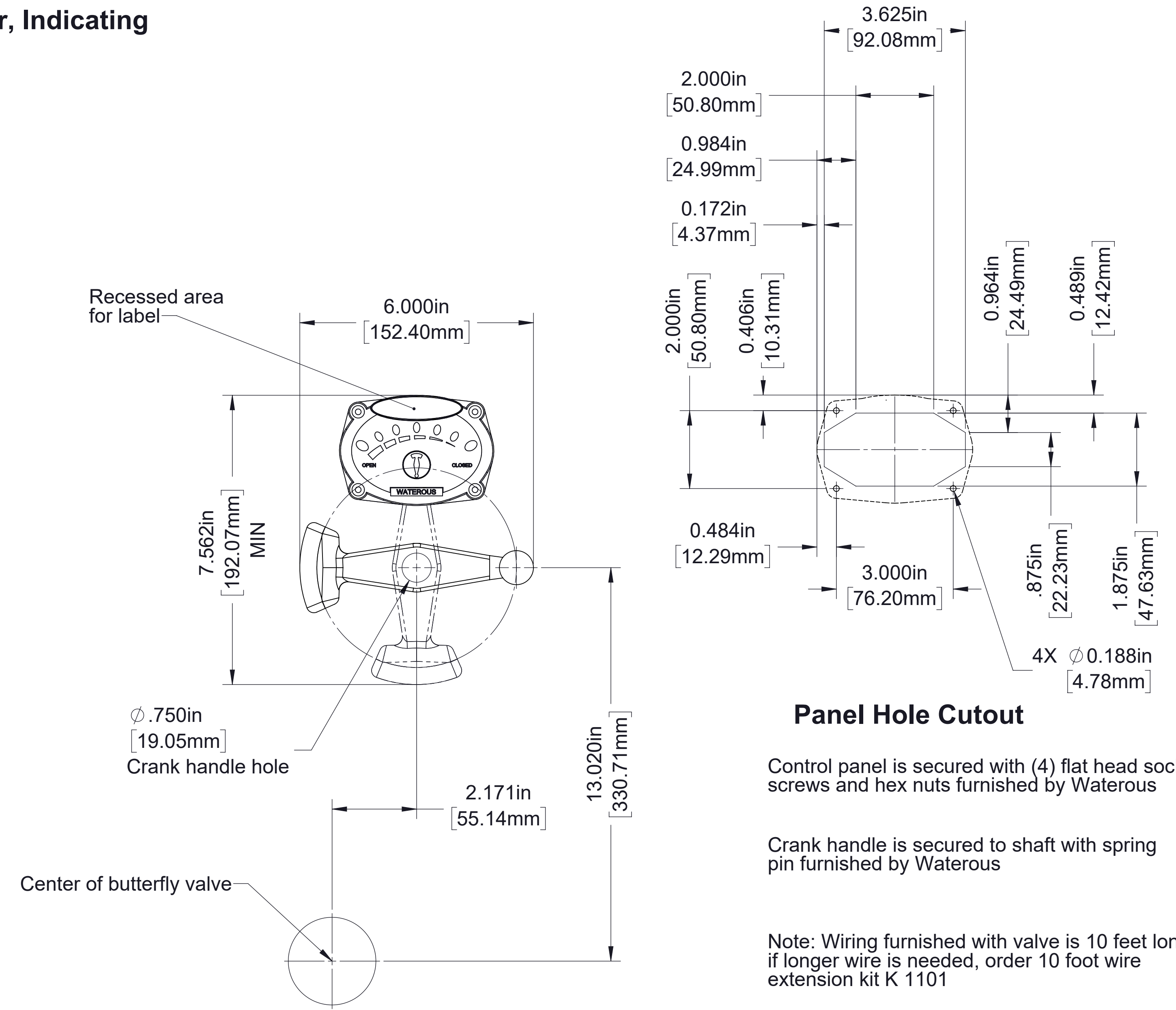
Order Part Number as Required	
Part Number	
Valve Mounted on Pump by Waterous	Valve Shipped Loose (Includes (2) 910902 gaskets)
82743-2A	82743-2B

8 in. Valve, Manual Actuator, Indicating

*Flow shown as mounted on pump at factory



Manual Actuator, Indicating



Panel Hole Cutout

Control panel is secured with (4) flat head socket screws and hex nuts furnished by Waterous

Crank handle is secured to shaft with spring pin furnished by Waterous

Note: Wiring furnished with valve is 10 feet long, if longer wire is needed, order 10 foot wire extension kit K 1101

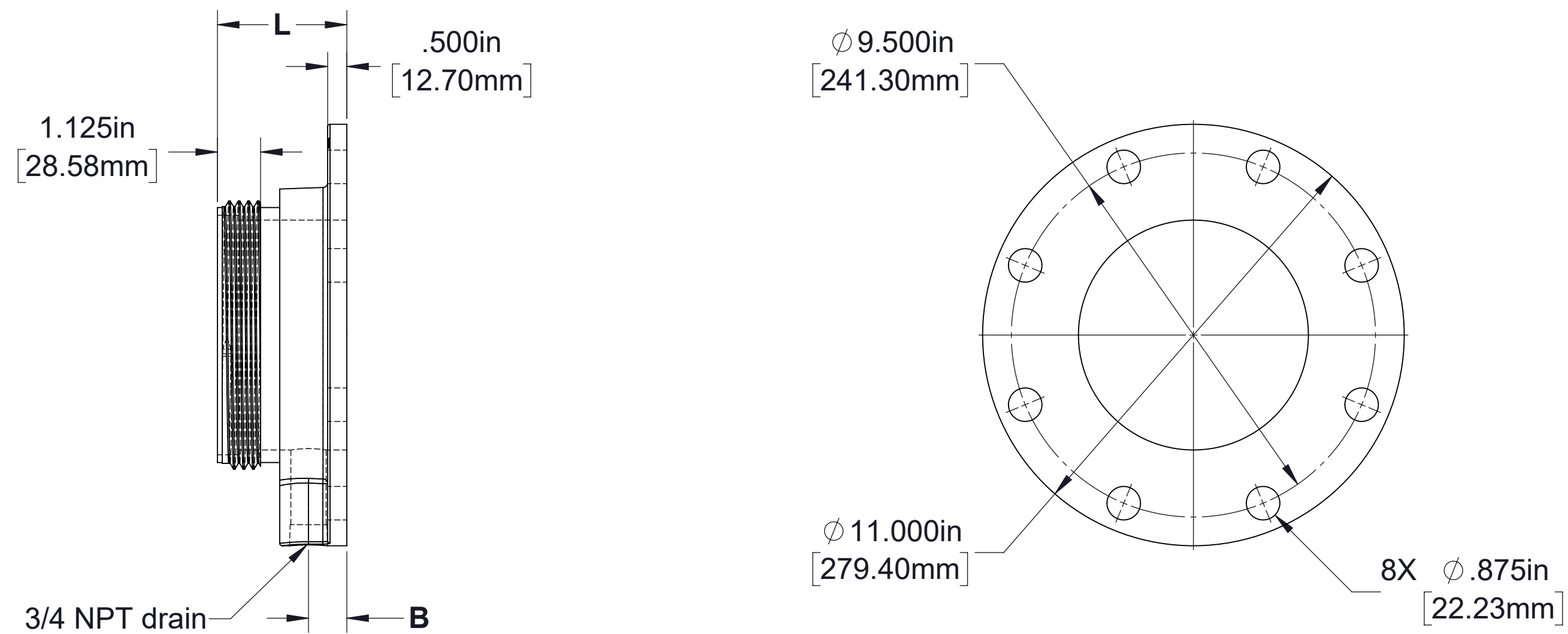
Manual Actuator Control Panel

Order Part Number as Required		
Voltage	Part Number	
	Valve Mounted on Pump by Waterous	Valve Shipped Loose (Includes (2) 910902 gaskets)
12	82966-1A	Not Available
24	Not Available	Not Available

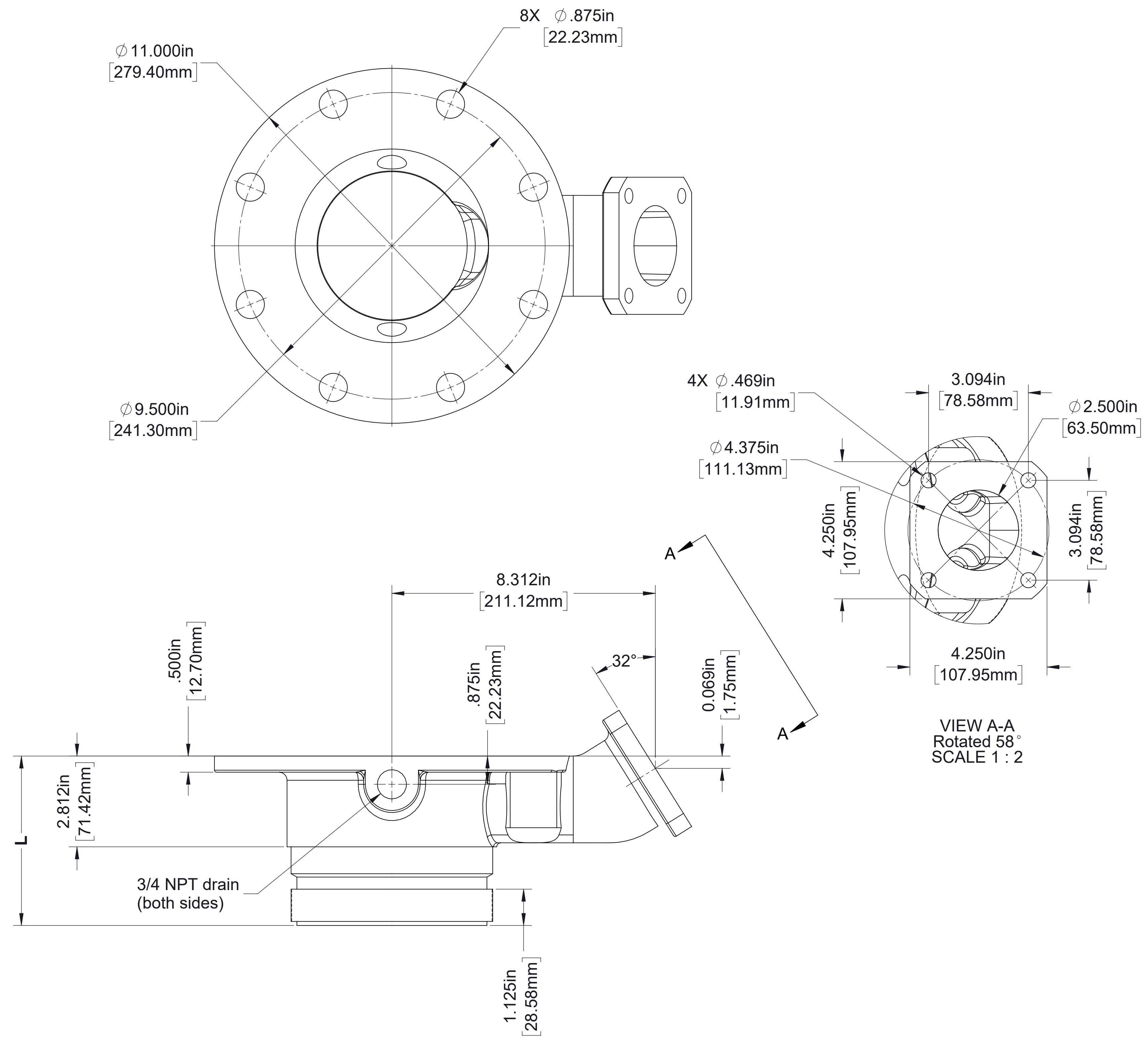
Fittings for 6 in. Butterfly Valves

Nipples with Dump Valve Flange

Nipples without Dump Valve Flange



Order Part Number as Required				
Part Number	Thread Size	B	L	Includes Gasket
72453-1A	6.0 in. NH	1.000/25.40	3.375/85.73	73760
72572-1A		.875/22.23	5.250/133.35	
72578-1A		.875/22.23	6.250/158.75	
72579-1A		.875/22.23	7.250/184.15	

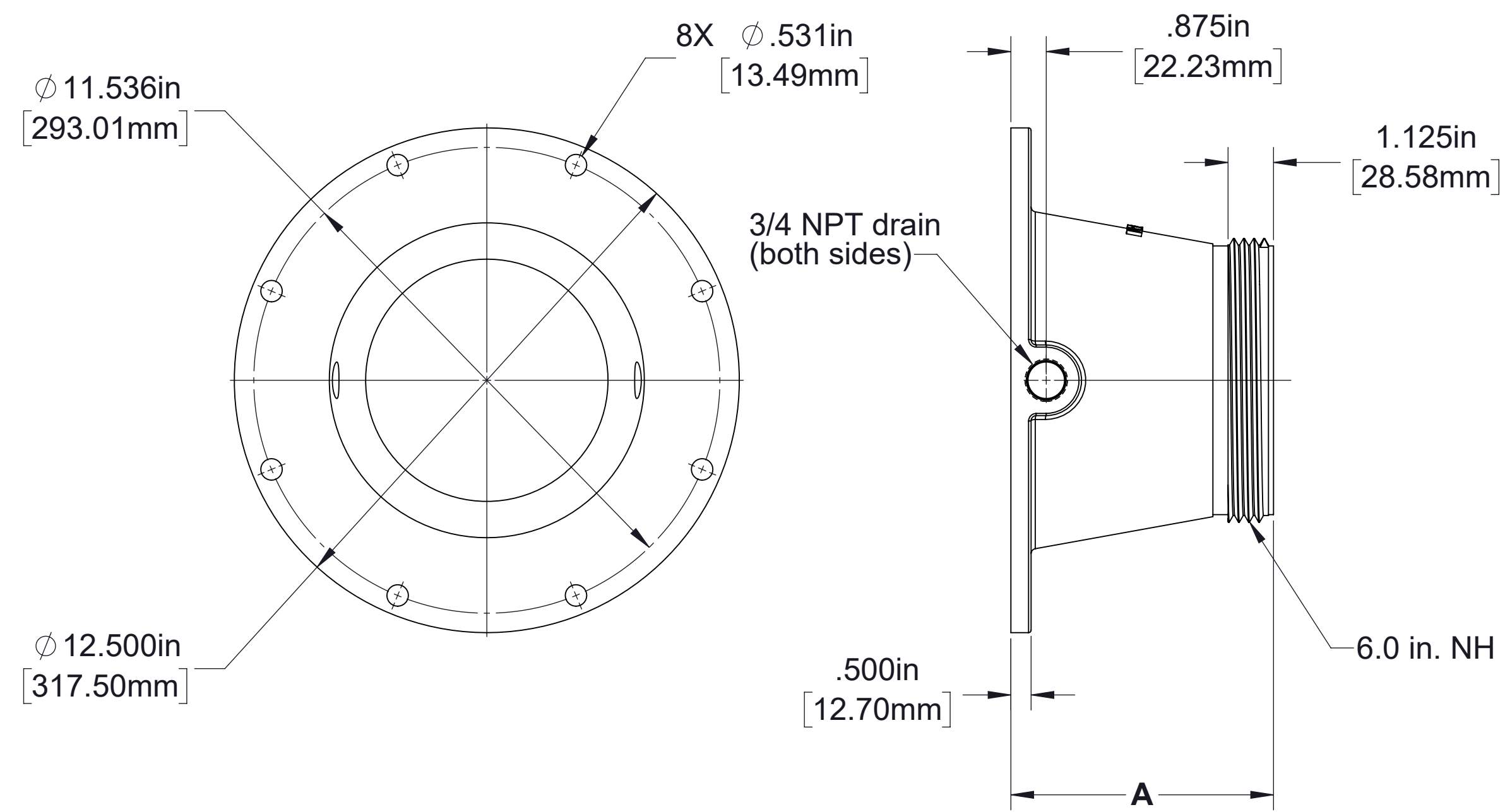


Order Part Number as Required			
Part Number	Thread Size	L	Includes Gasket
72818-1A	5.0 in. NH	5.250/133.35	73760
72819-1A		6.250/158.75	
72820-1A		7.250/184.15	
72716-1A	6.0 in. NH	5.250/133.35	
72717-1A		6.250/158.75	
72718-1A		7.250/184.15	

Notes:
 1. All fittings are available in iron or bronze unless otherwise specified. Add "-BZ" suffix to part number for bronze fittings.
 2. All fittings include gasket and mounting hardware.

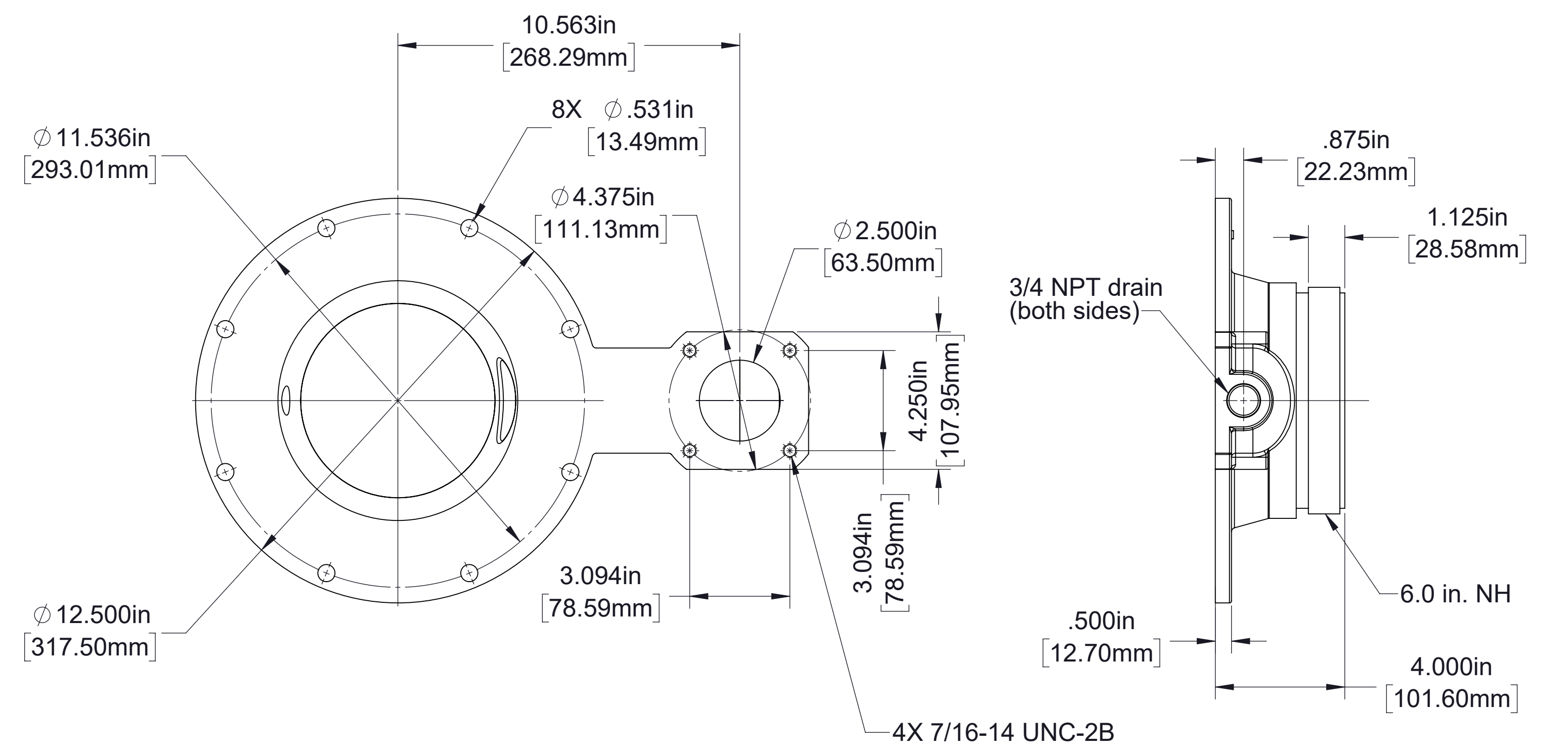
Fittings for 8 in. Butterfly Valves

Nipple without Dump Valve Flange



Order Part Number as Required		
Part Number	A	Includes Gasket
82957-1A	6.500/165.10	73761
83263-1A	4.000/101.60	

Nipple with Dump Valve Flange



Order Part Number as Required	
Part Number	Includes Gasket
82953-1A	73761

Note:
1. All fittings include gasket and mounting hardware