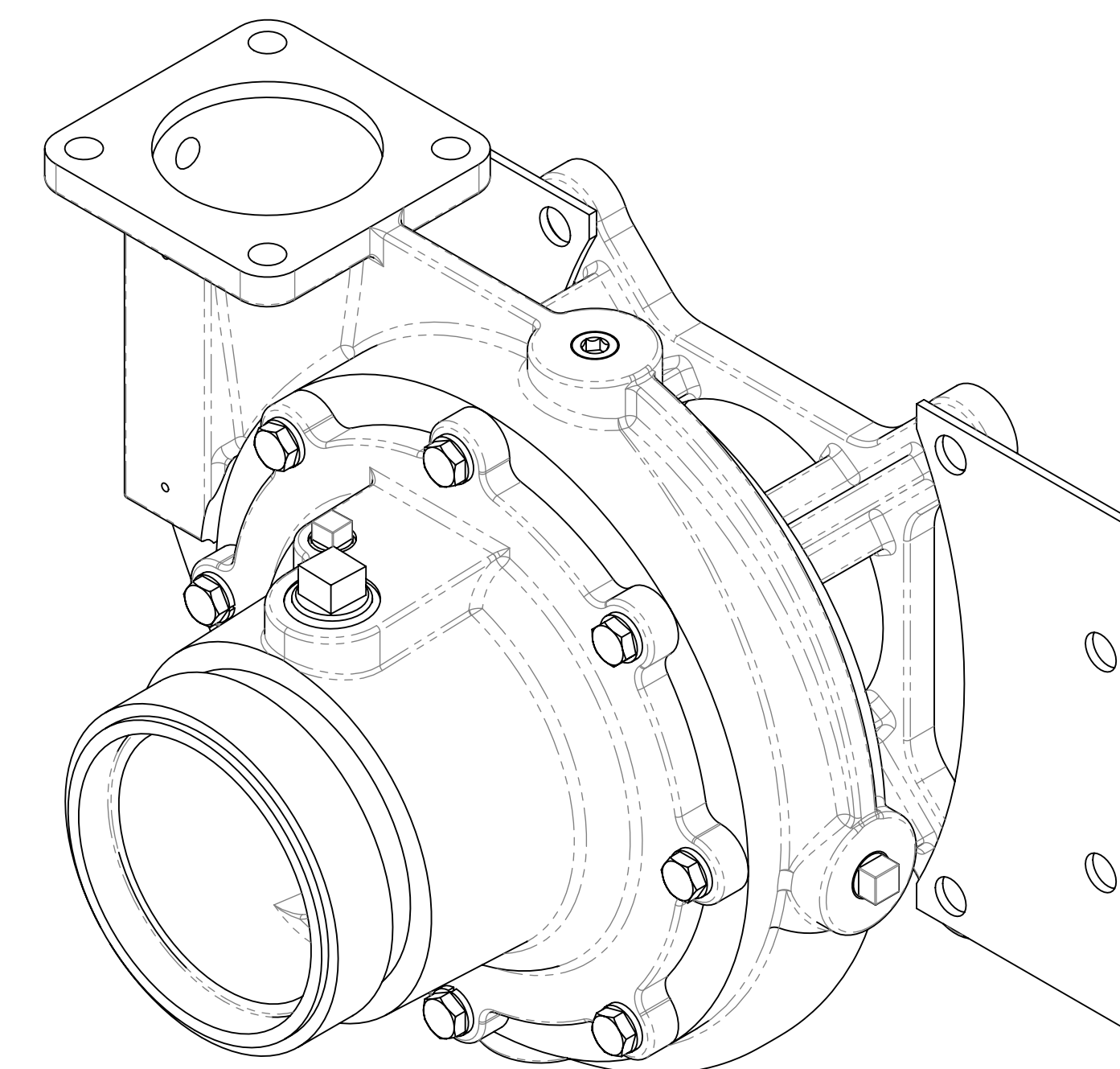
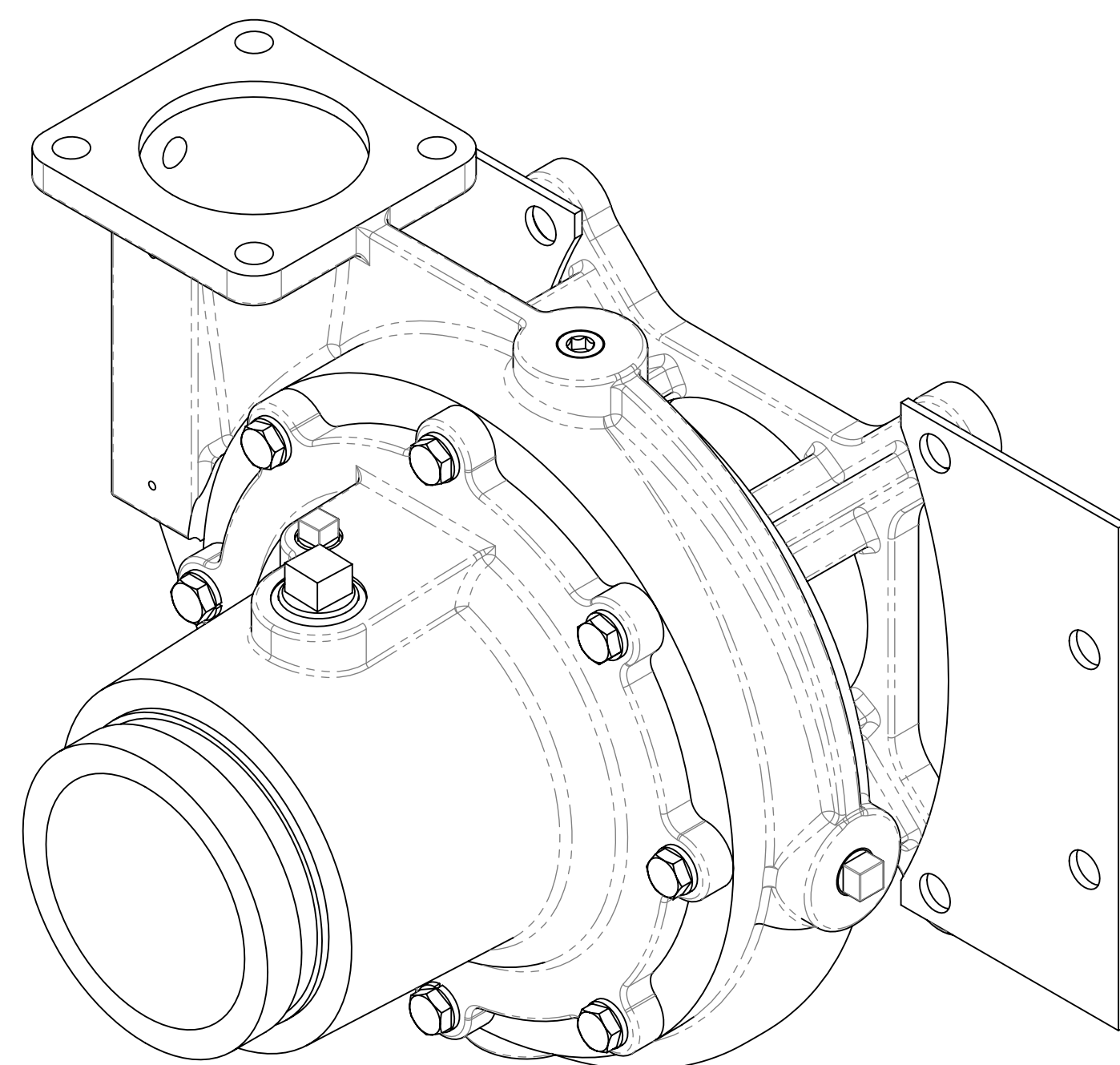


CL Series Fire Pump Dimensional Drawings Pump Models: CLR and CLV

Feature	See Page	
	CLR	CLV
Pump with Transmission	See Table on Page 2	
Basic Pump Body Dimensions without Transmission	3	4
Optional Discharge Fittings	8	
Pump Discharge Positions	9	
K & T Transmission Positions	10	
PA Transmission Positions	11	

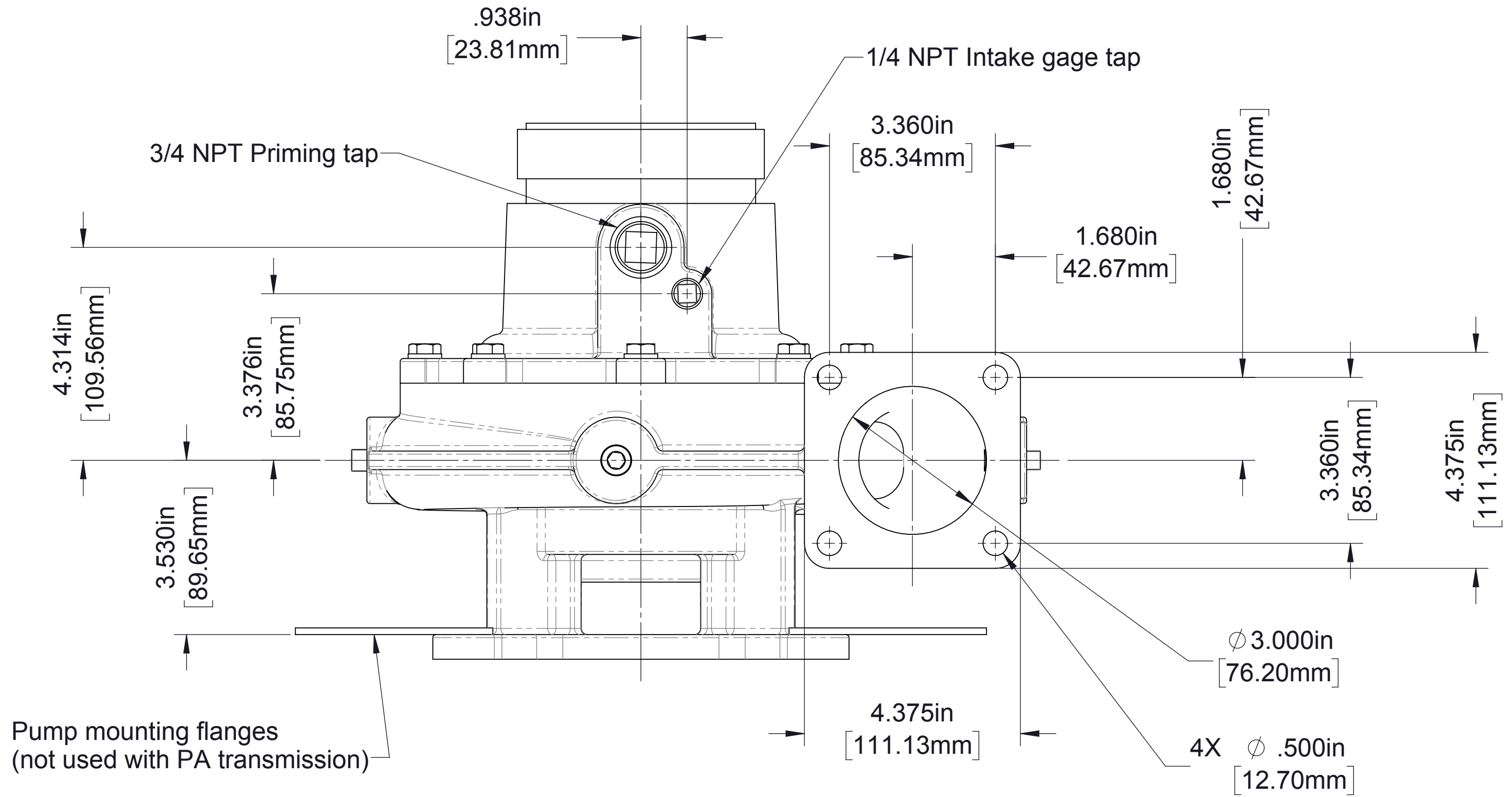


Note: Pump must be installed in accordance with Waterous Installation Instructions.

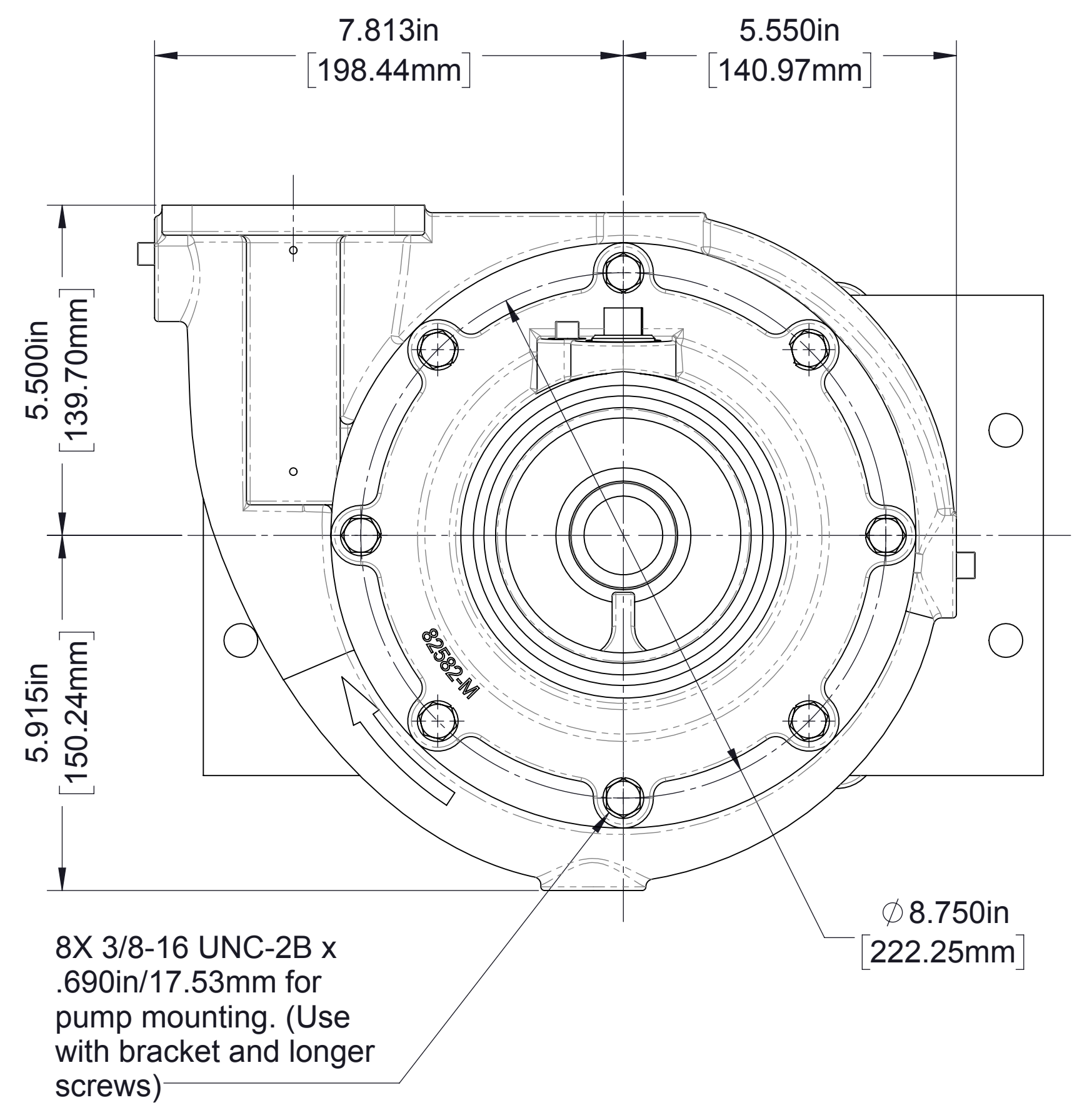
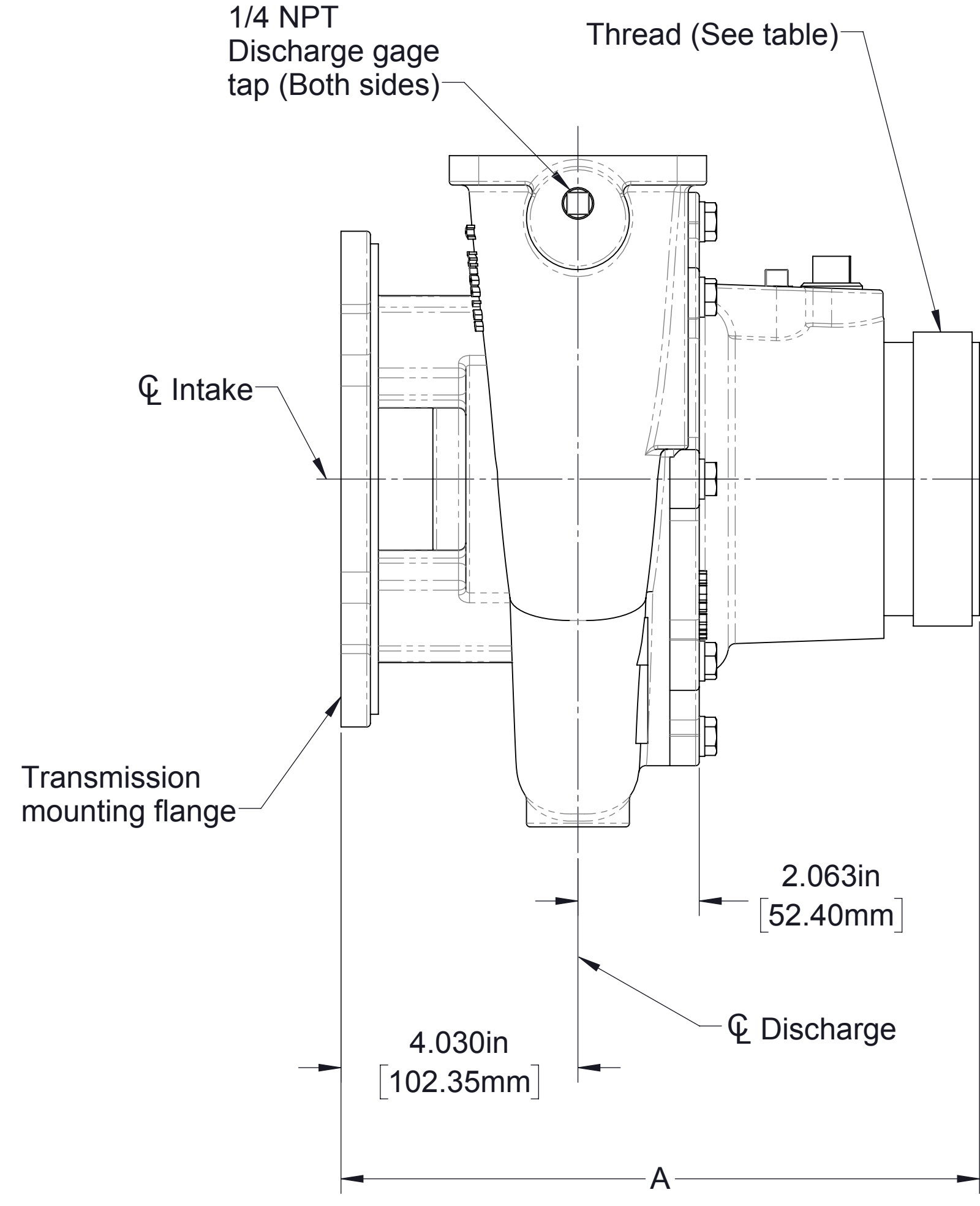
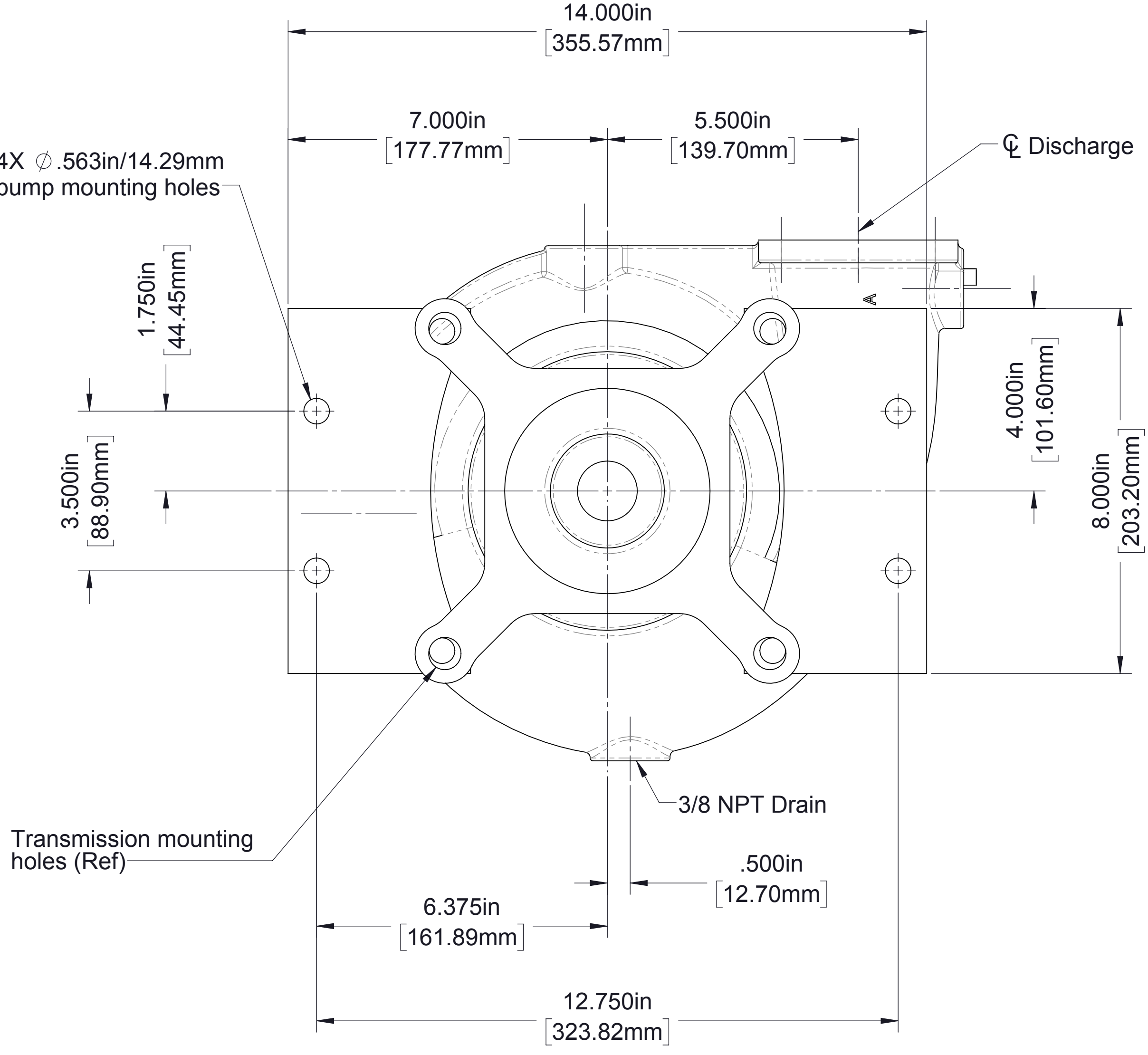
Transmission				Pump			See Page		
Type	Driveline	Pump Mounting on Transmission	Input Rotation (1)	Impeller Rotation (2)	Pump and Transmission Model		Pump and Transmission		
					CLR	CLV	Dimensions	Available	
								Pump Discharge Positions	Transmission Mounting Positions
K Series Two Gear, PTO Driven	Input Shaft Only	Opposite Input Shaft	CW	CW	CLRK	CLVK	5	9	10
			CCW	CCW	CLRK	CLVK	5	9	10
T Series Two Gear, Direct Engine Mount	Input Shaft Only	Opposite Input Shaft	CW	CW	CLRT	CLVT	6	9	10
			CCW	CCW	CLRT	CLVT	6	9	10
P Series Chain Drive, PTO Driven	Input Shaft Only	Input Shaft Side	CW	CW	CLRPA	CLVPA	7	9	11

Notes:

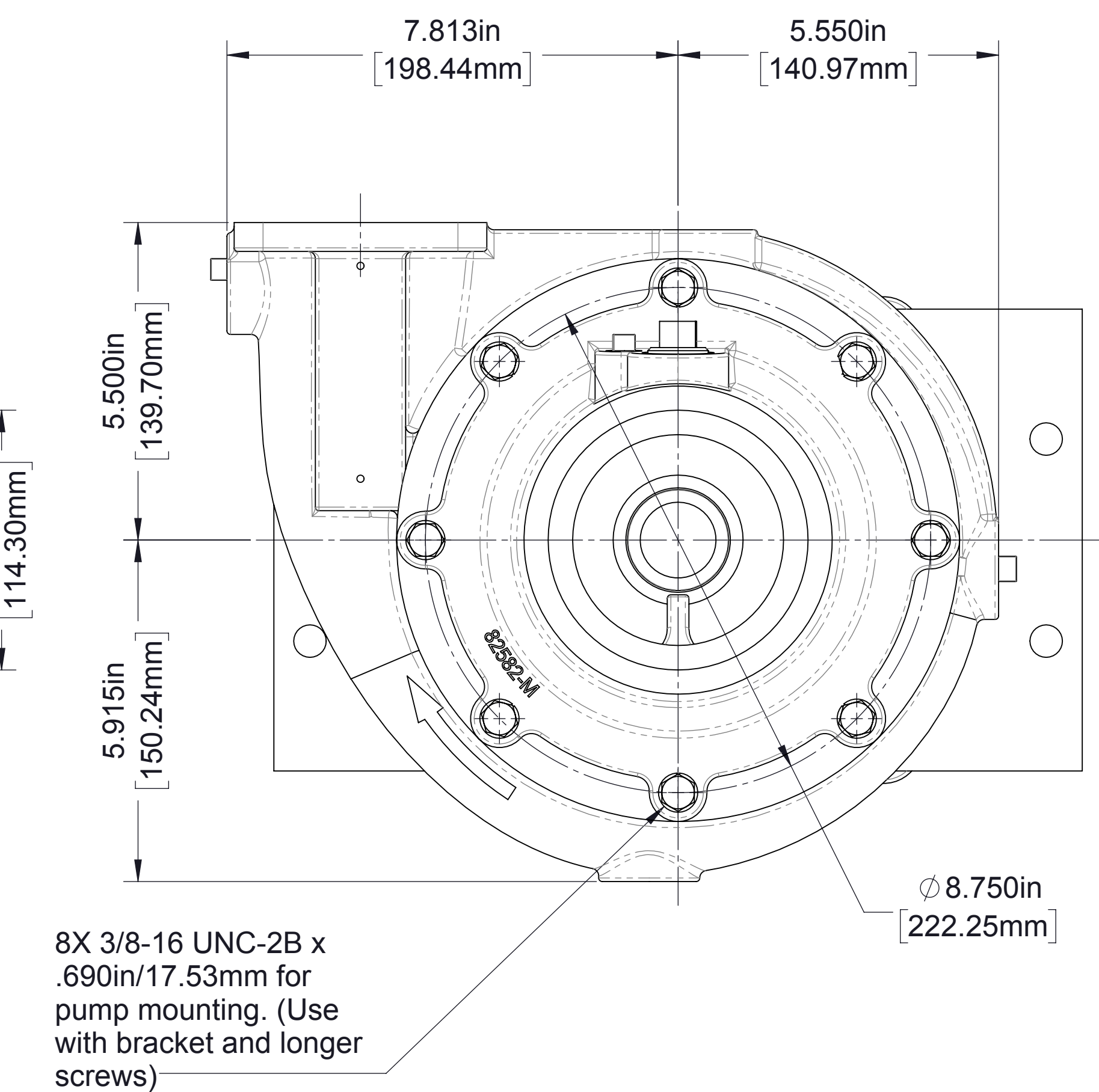
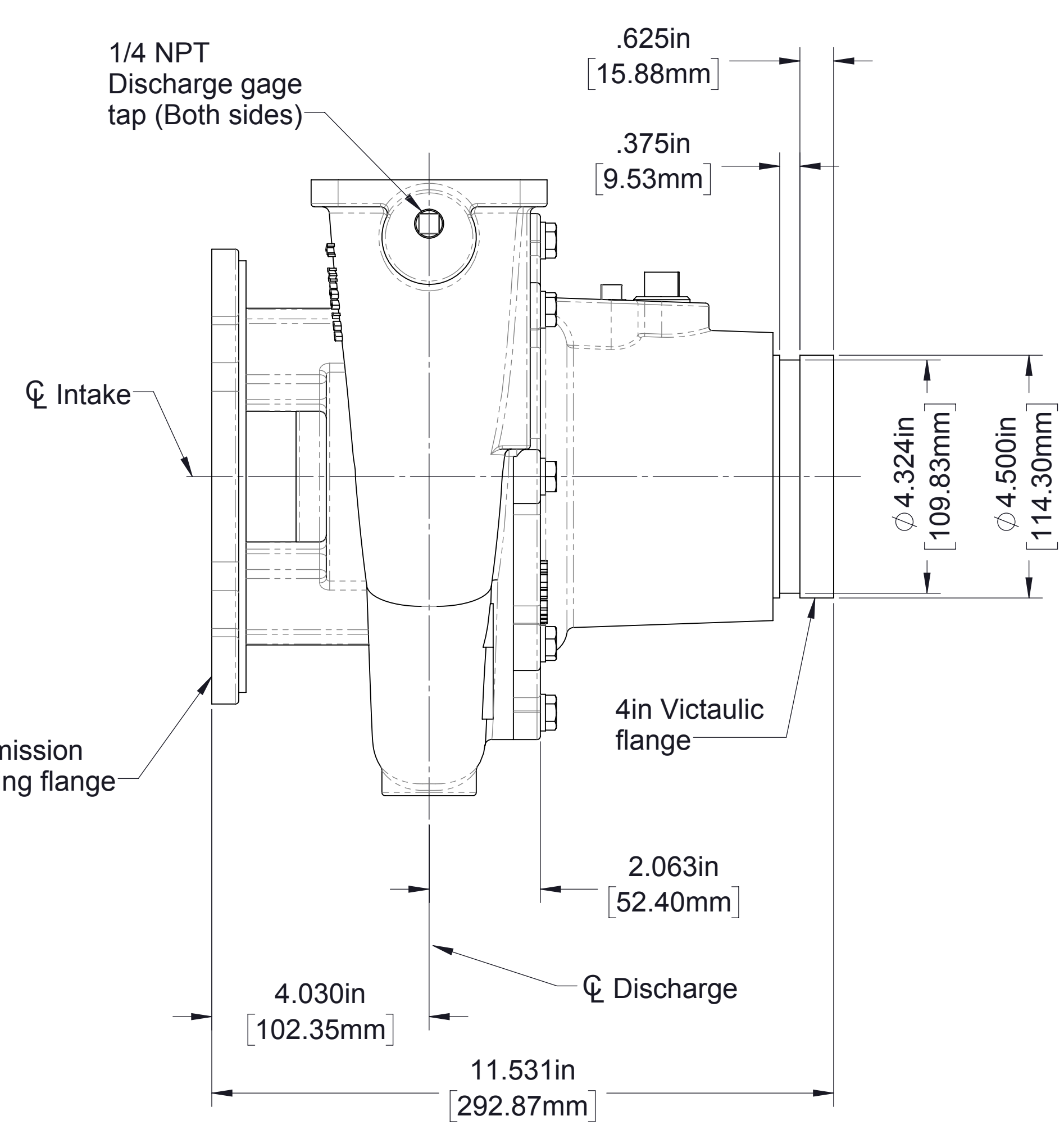
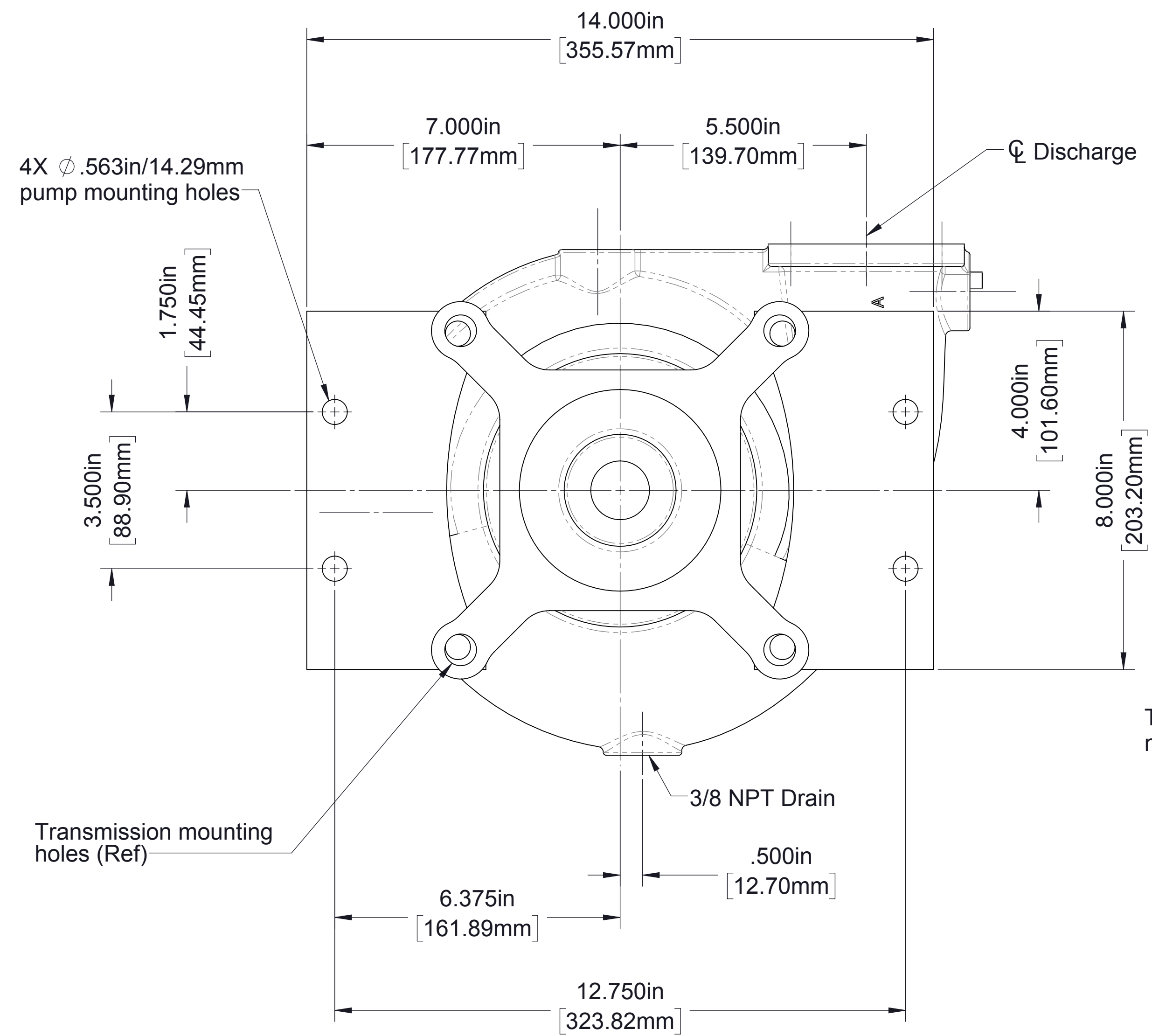
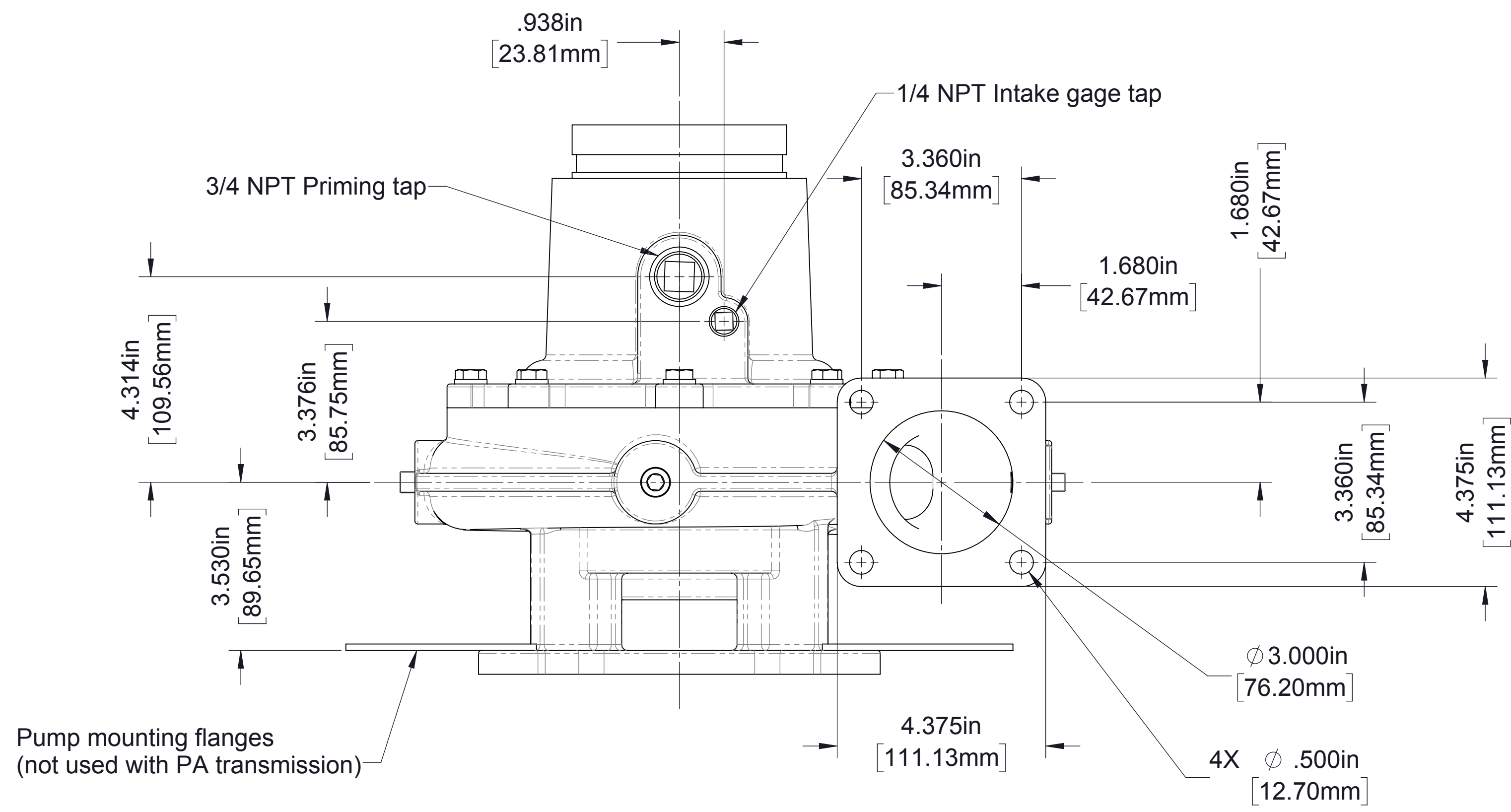
1. Input rotation is viewed looking directly at the transmission input shaft.
2. Impeller rotation is viewed looking directly at the intake fitting (impeller eye).



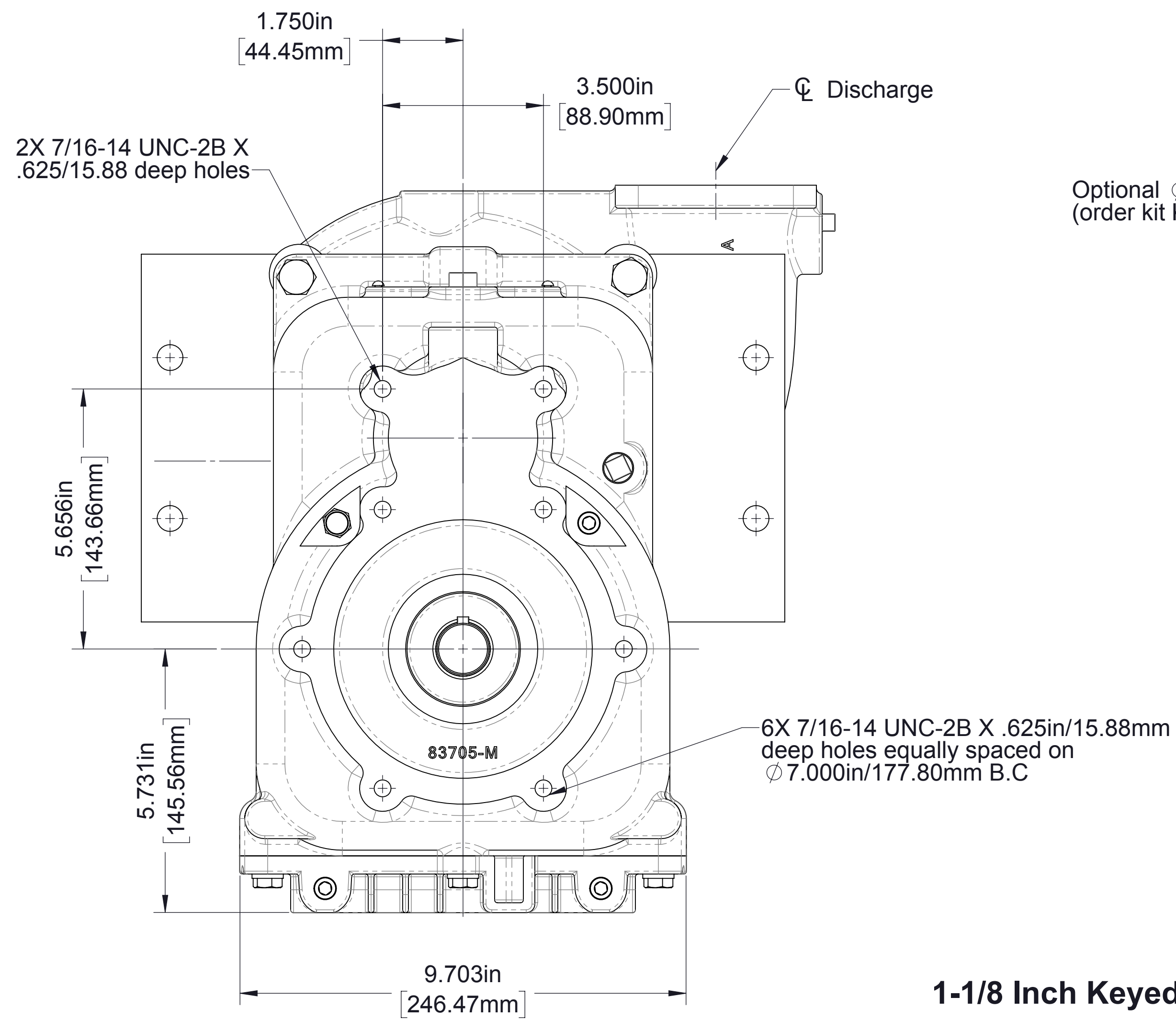
Thread Size	Dim "A"
4 IN NH	10.860in/275.84mm
4 IN BSP	11.531in/292.89mm



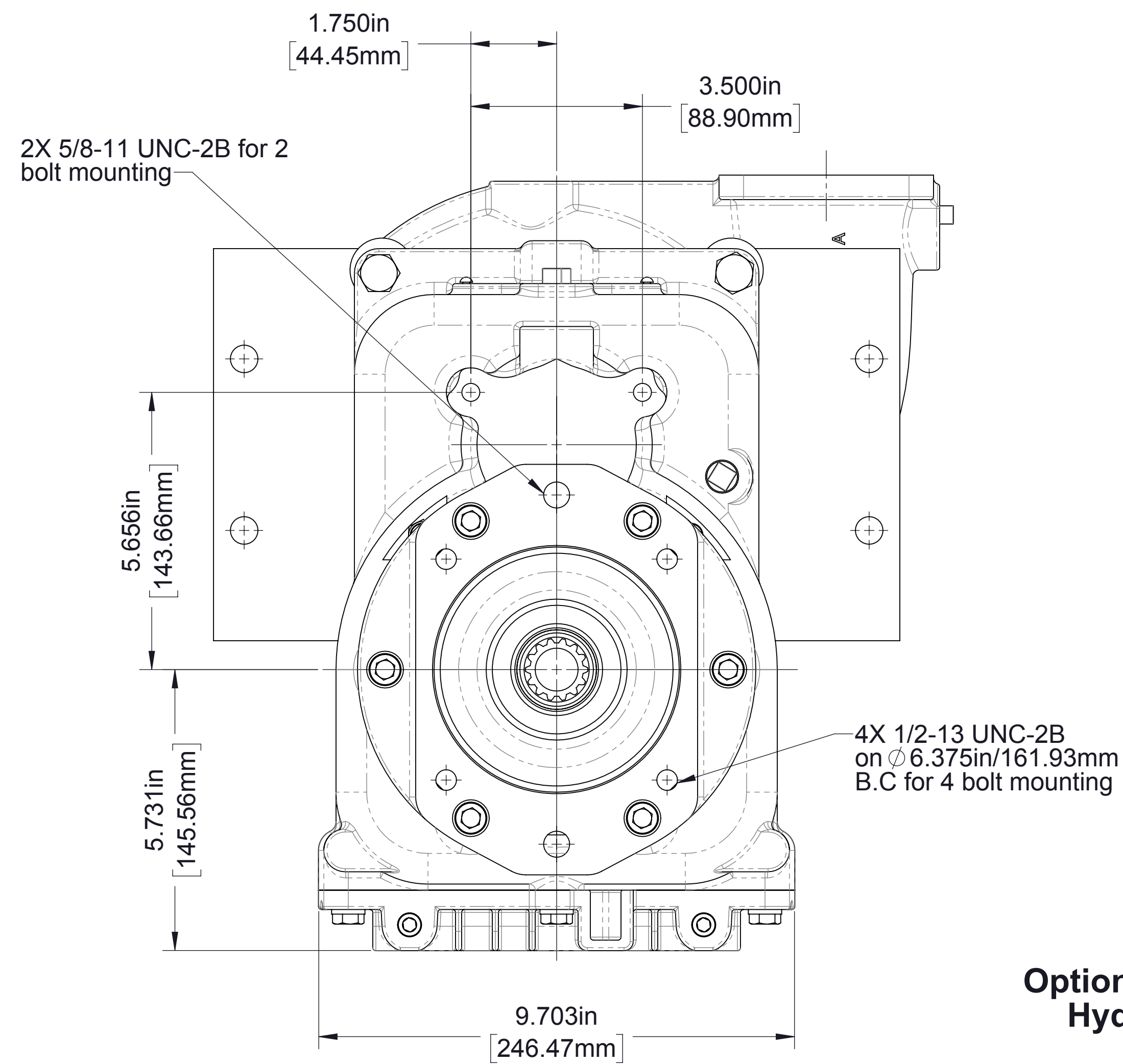
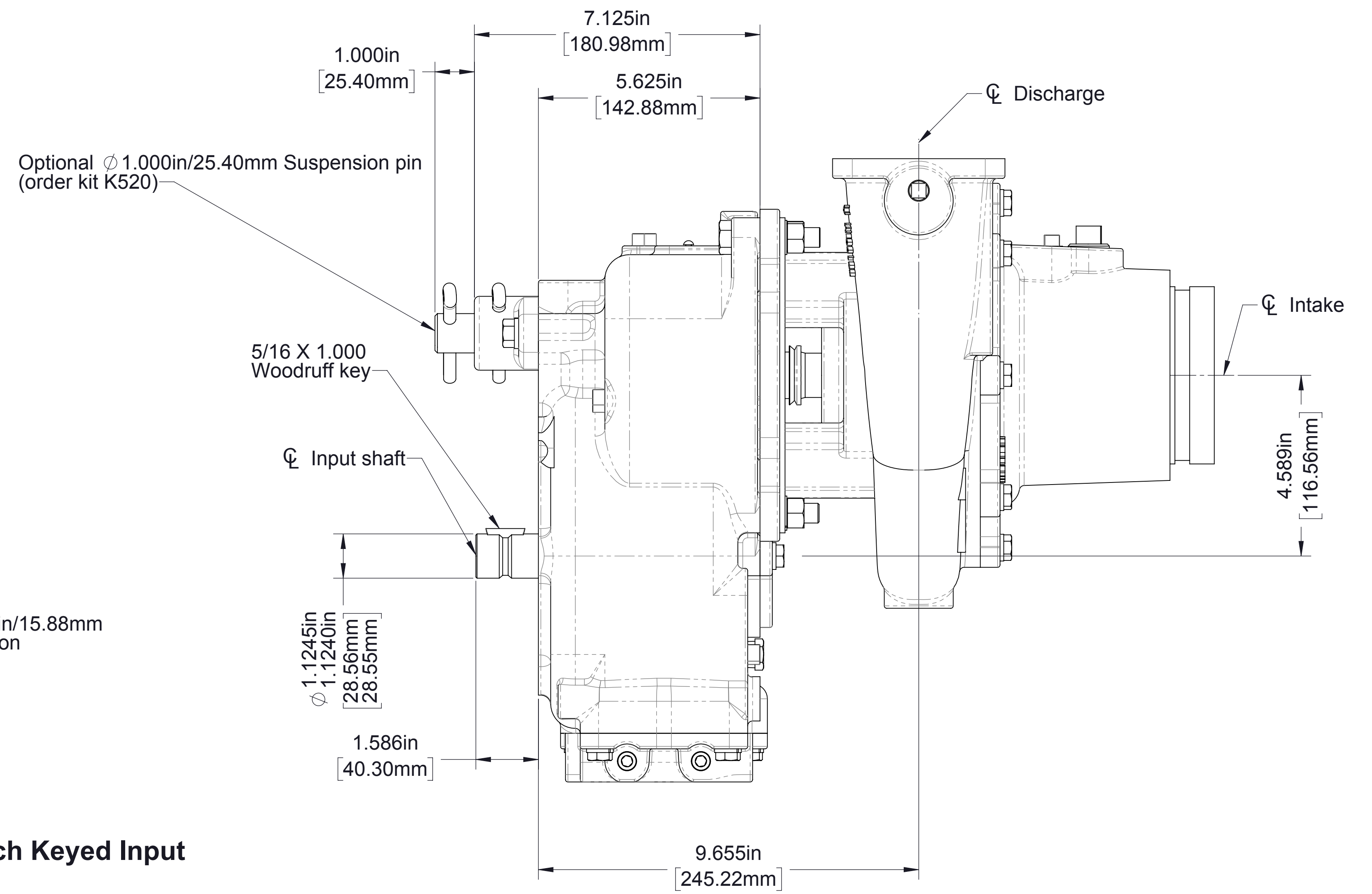
CLR Body Dimensions
CW Impeller Rotation Shown



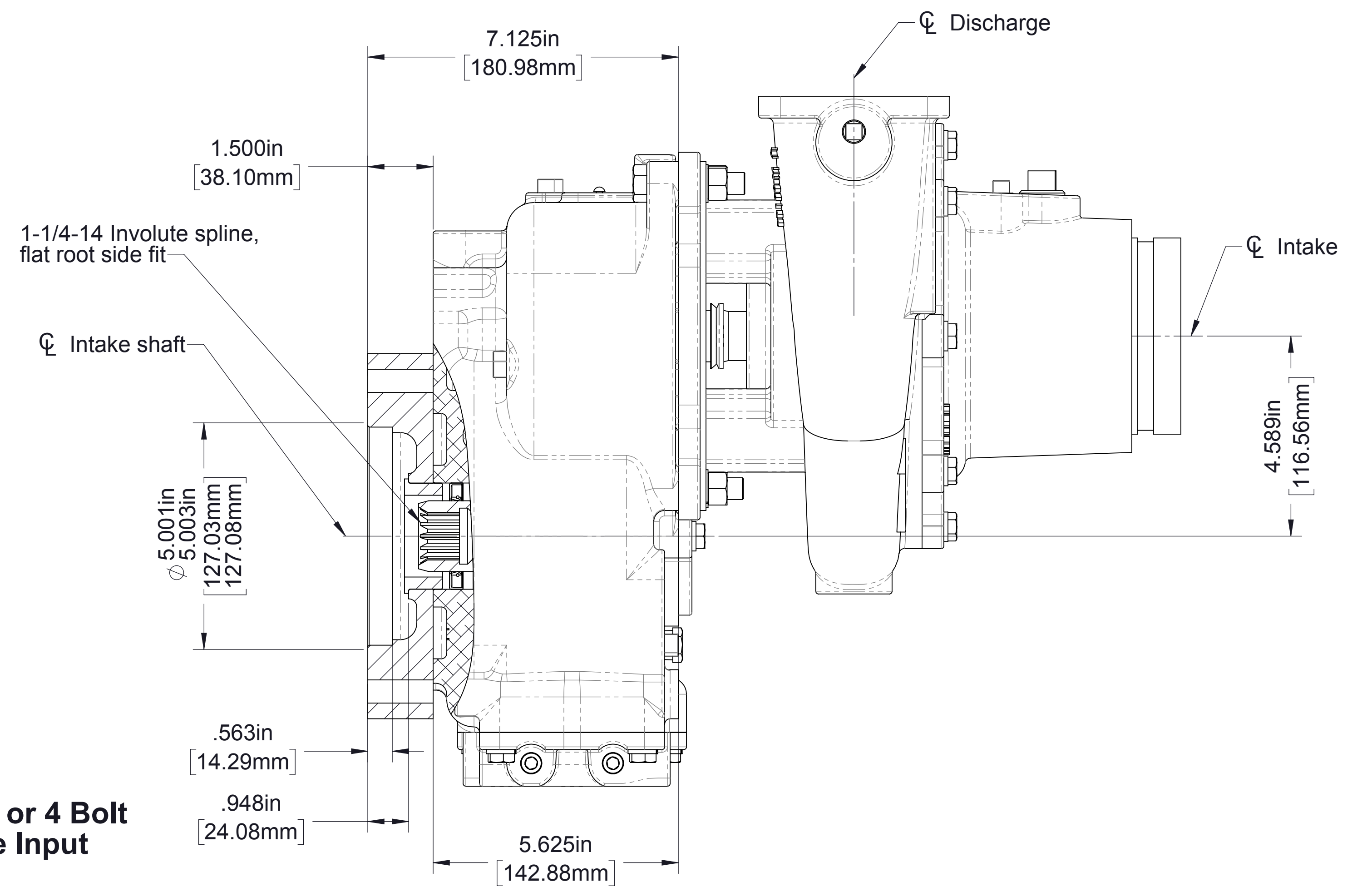
CLV Body Dimensions
CW Impeller Rotation Shown



1-1/8 Inch Keyed Input

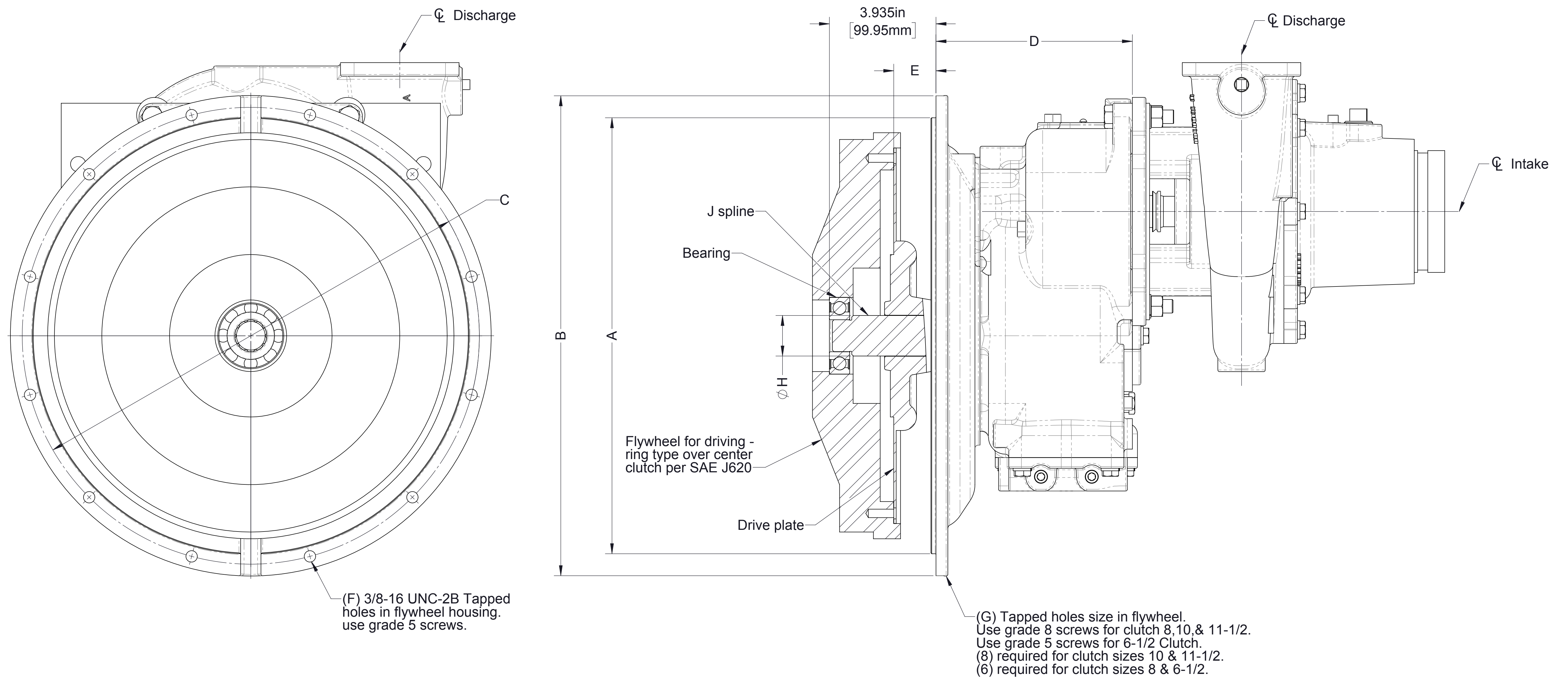


Optional SAE Class "C" 2 or 4 Bolt Hydraulic Pump Flange Input



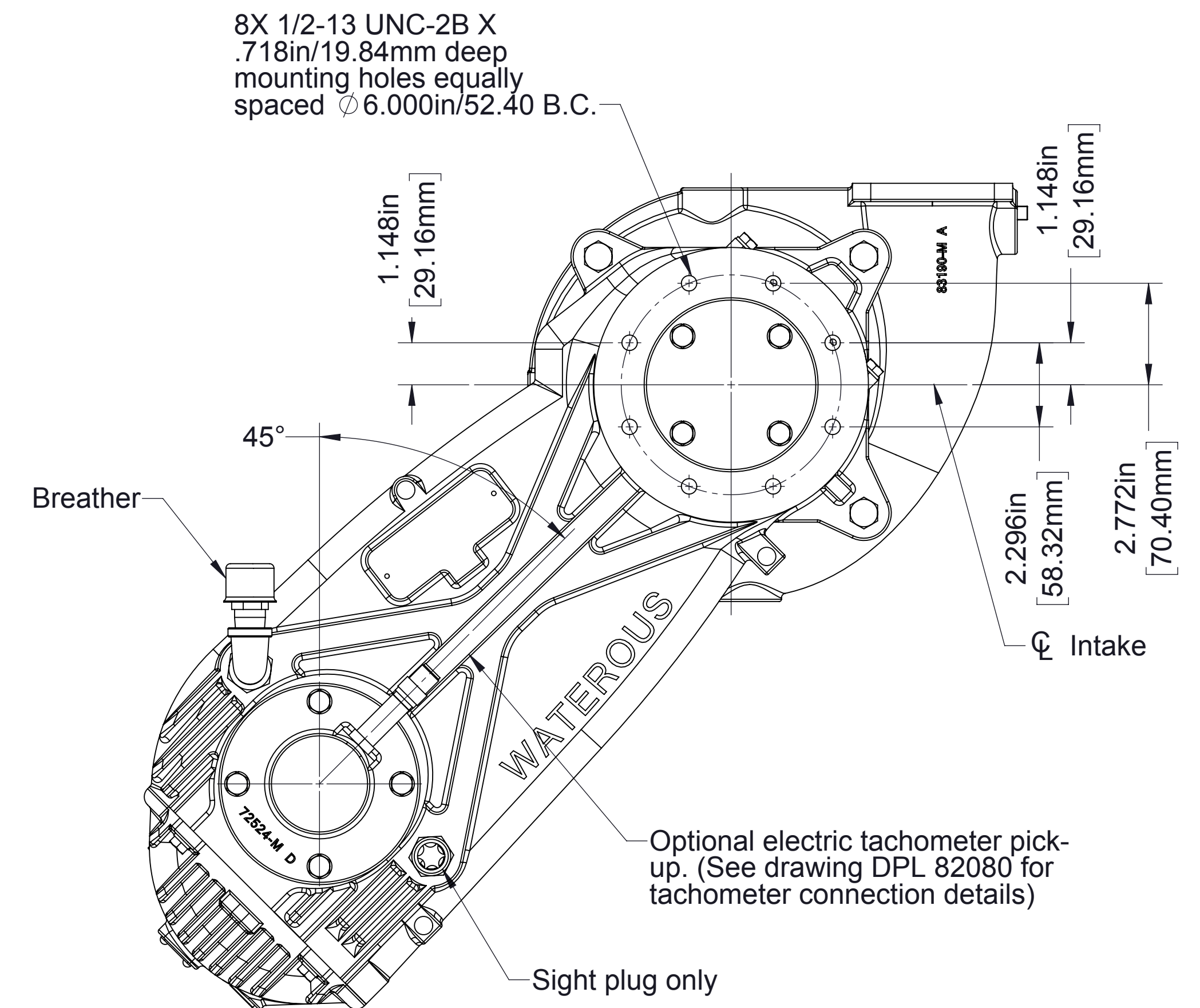
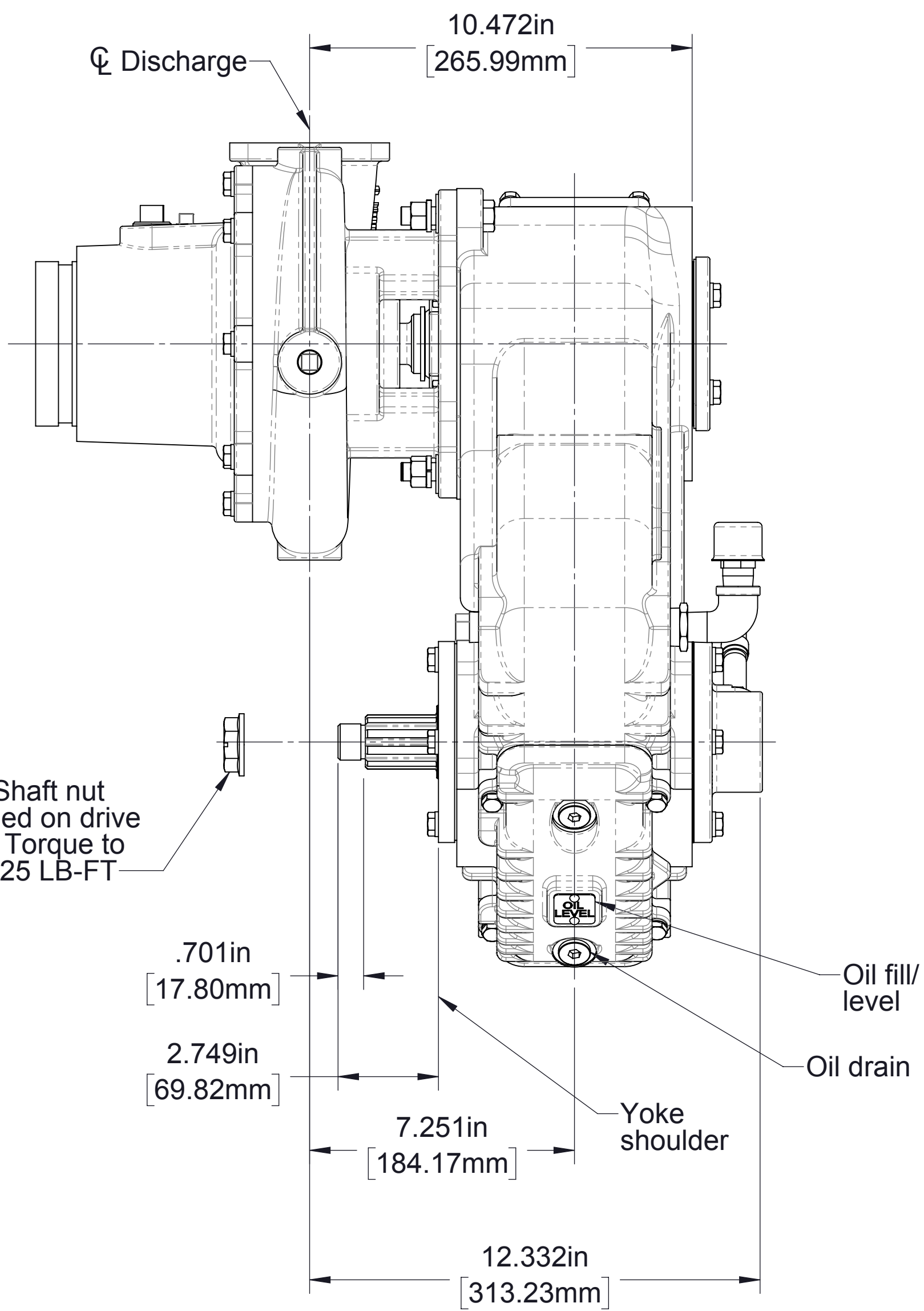
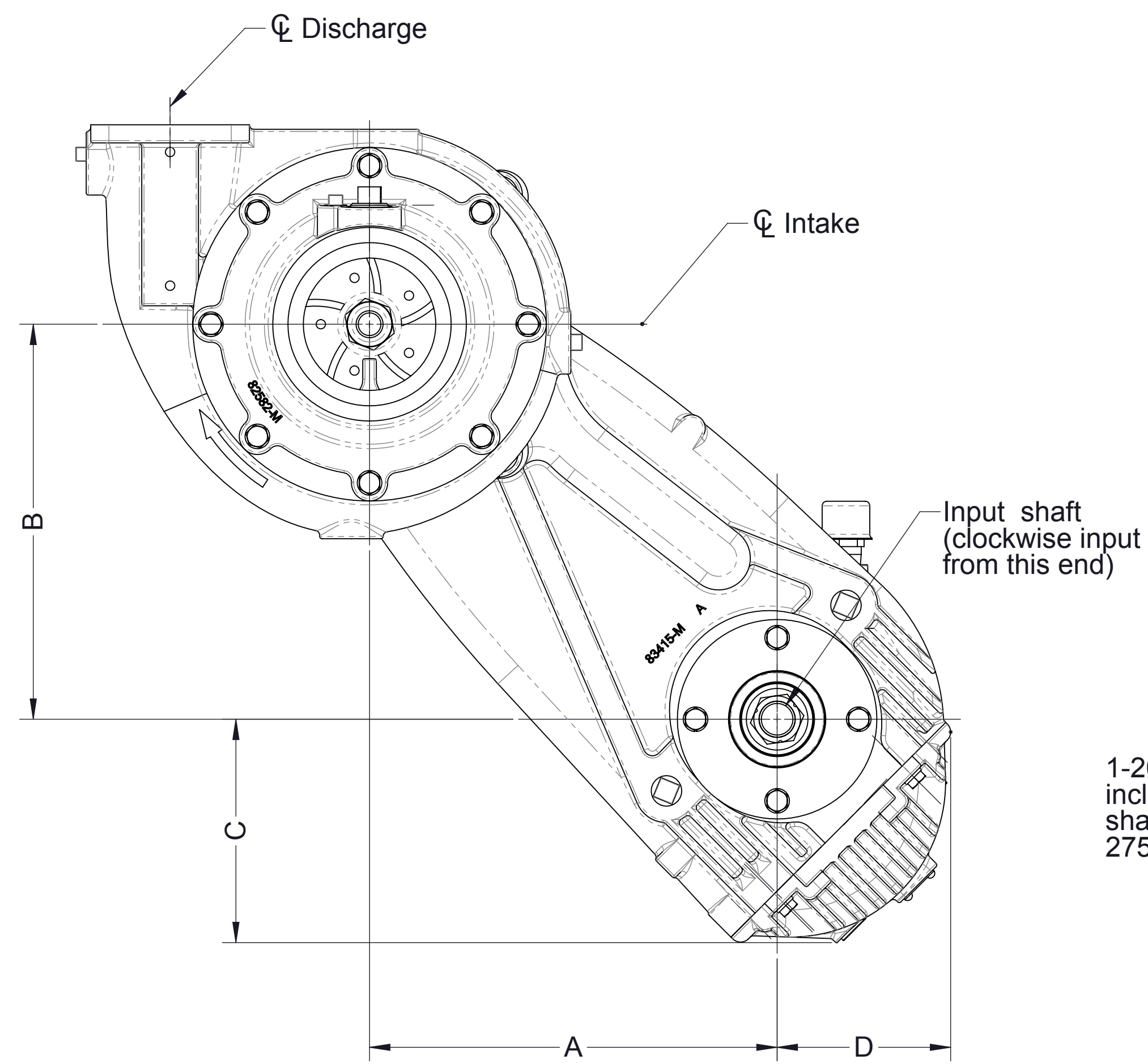
Model CLV/CLR with K
 Clockwise or Counterclockwise input
 (Clockwise input shown)

(CLVK in vertical mounting position shown, See page 10 for mounting positions)



Size	SAE Bellhousing				D	SAE Flywheel			Drive Plate		Drive Shaft					
	A	B	C	F		Clutch Number	E	G	Part Number	Torque Rating	H	J				
3	16.125in 409.58mm	17.750in 450.85mm	16.875in 428.63mm	12	7.250in 18.15mm	10	2.12in 53.85mm	3/8-16	V2272	850 FT-LB	∅ 1.1805in/1.1800in 29.98mm/29.97mm	1-1/2-10 SAE				
4	14.250in 361.95mm	15.875in 403.23mm	15.000in 381.00mm													
3	16.125in 409.58mm	17.750in 450.85mm	16.875in 428.63mm			8	6-1/2		1.19in 30.23mm	5/16-18			V2865	N/A	∅ .7868in/.7858in 19.98mm/19.96mm	1-15T Involute
4	14.250in 361.95mm	15.875in 403.23mm	15.000in 381.00mm													

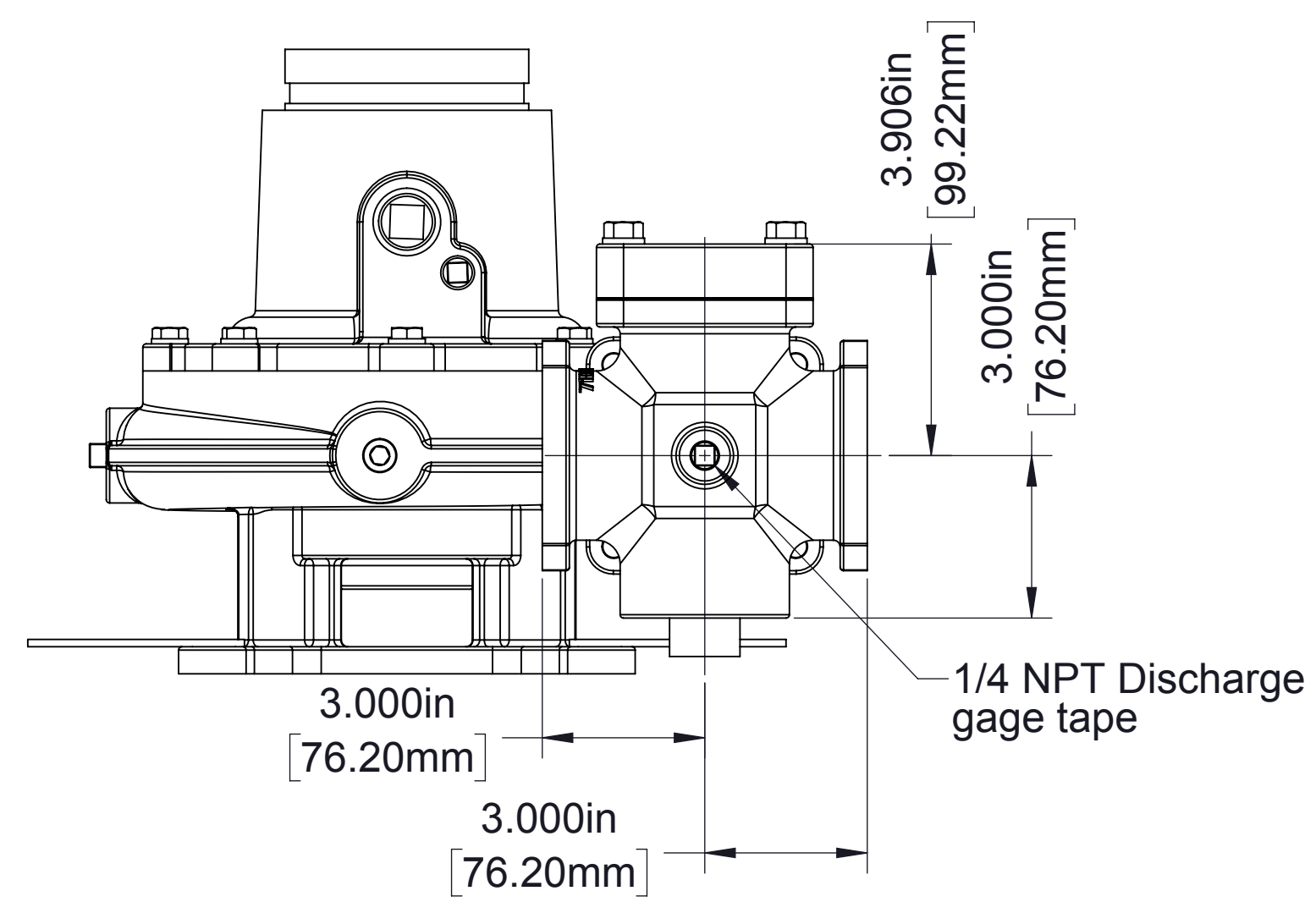
Model CLR/CLV with T
Clockwise or Counterclockwise input
(Clockwise input shown)
(CLVT in vertical mounting position shown, See page 10 for mounting positions)



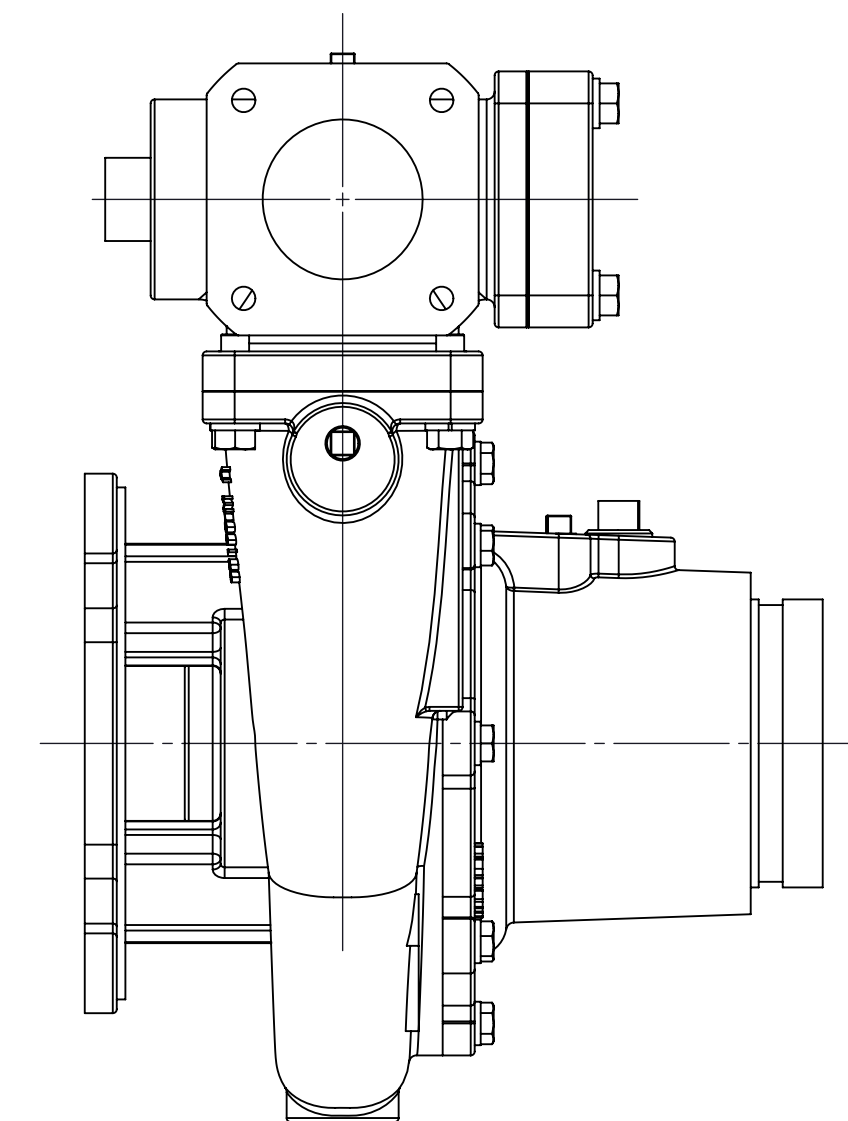
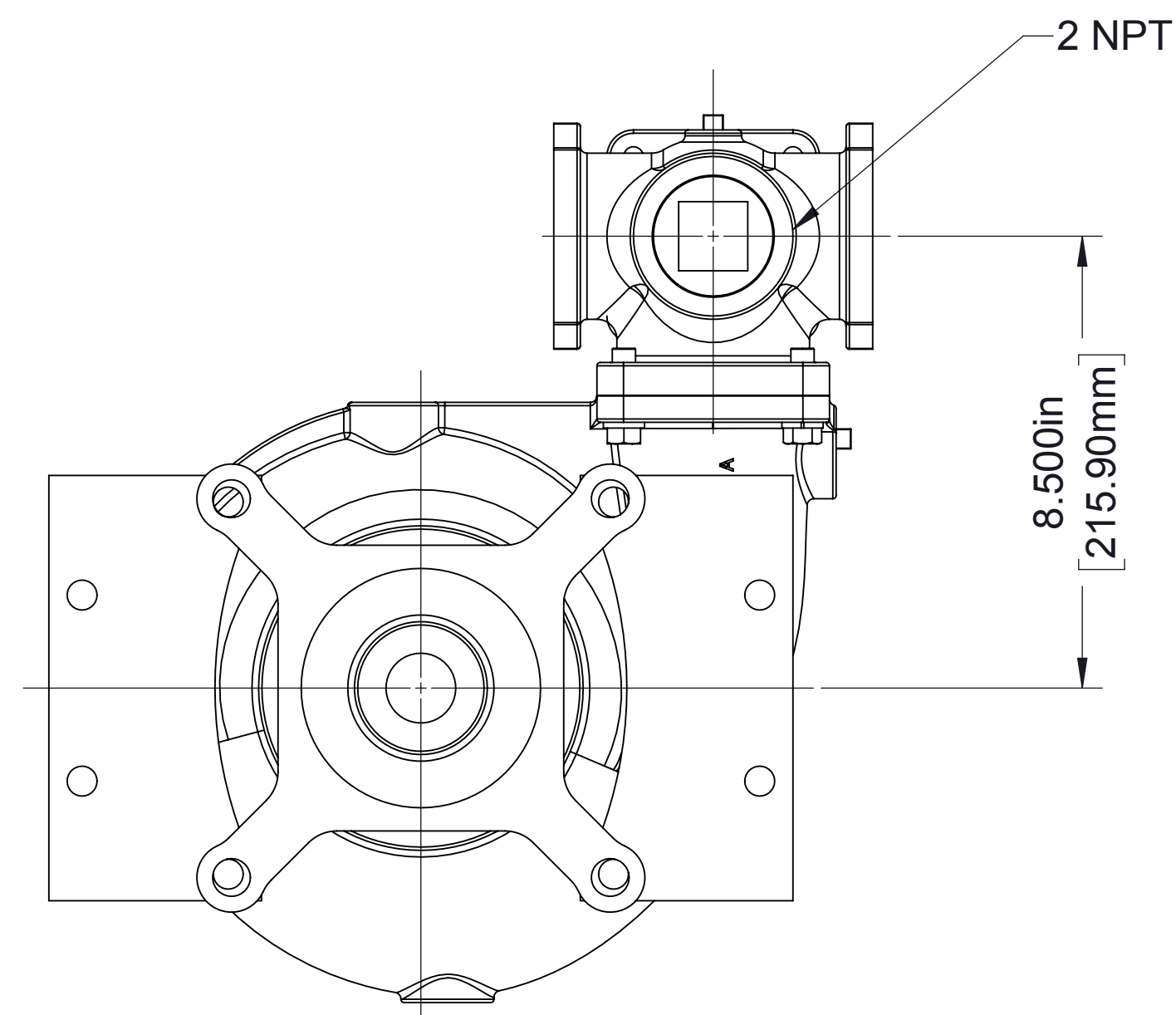
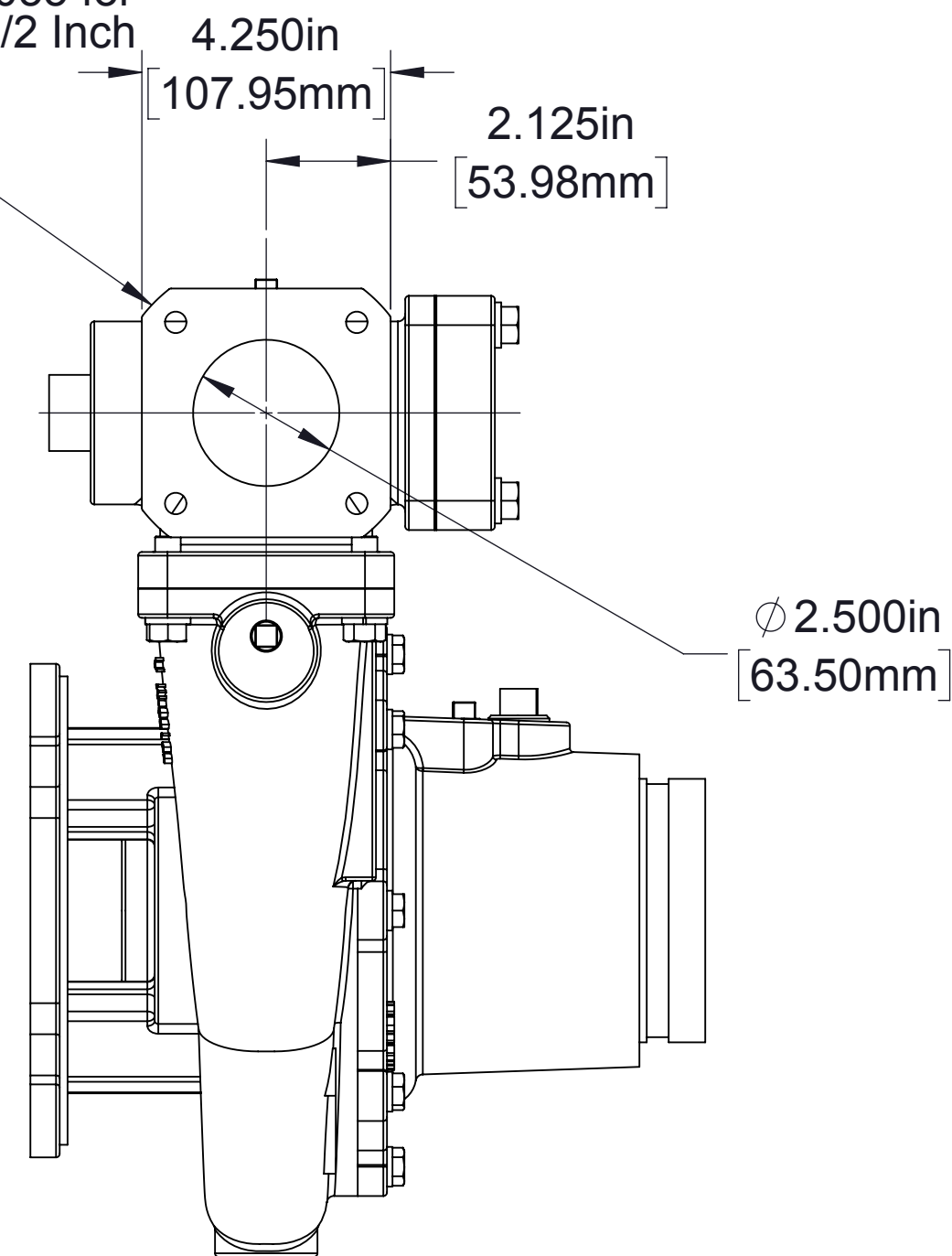
Drive Line		Ratio	Dim A	Dim B	Dim C	Dim D
Size	Spline					
1-1/2 in	1-1/2-10 SAE	1.70	11.288in 286.71mm	10.943in 277.94mm	6.111in 155.22mm	4.737in 120.32mm
		1.90	11.269in 286.24mm	10.924in 277.47mm	6.130in 155.70mm	4.755in 120.79mm
		2.10	11.239in 285.46mm	10.894in 276.70mm	6.160in 156.46mm	4.786in 121.56mm

Model CLR/CLV with PA
Clockwise input
CLVPA shown

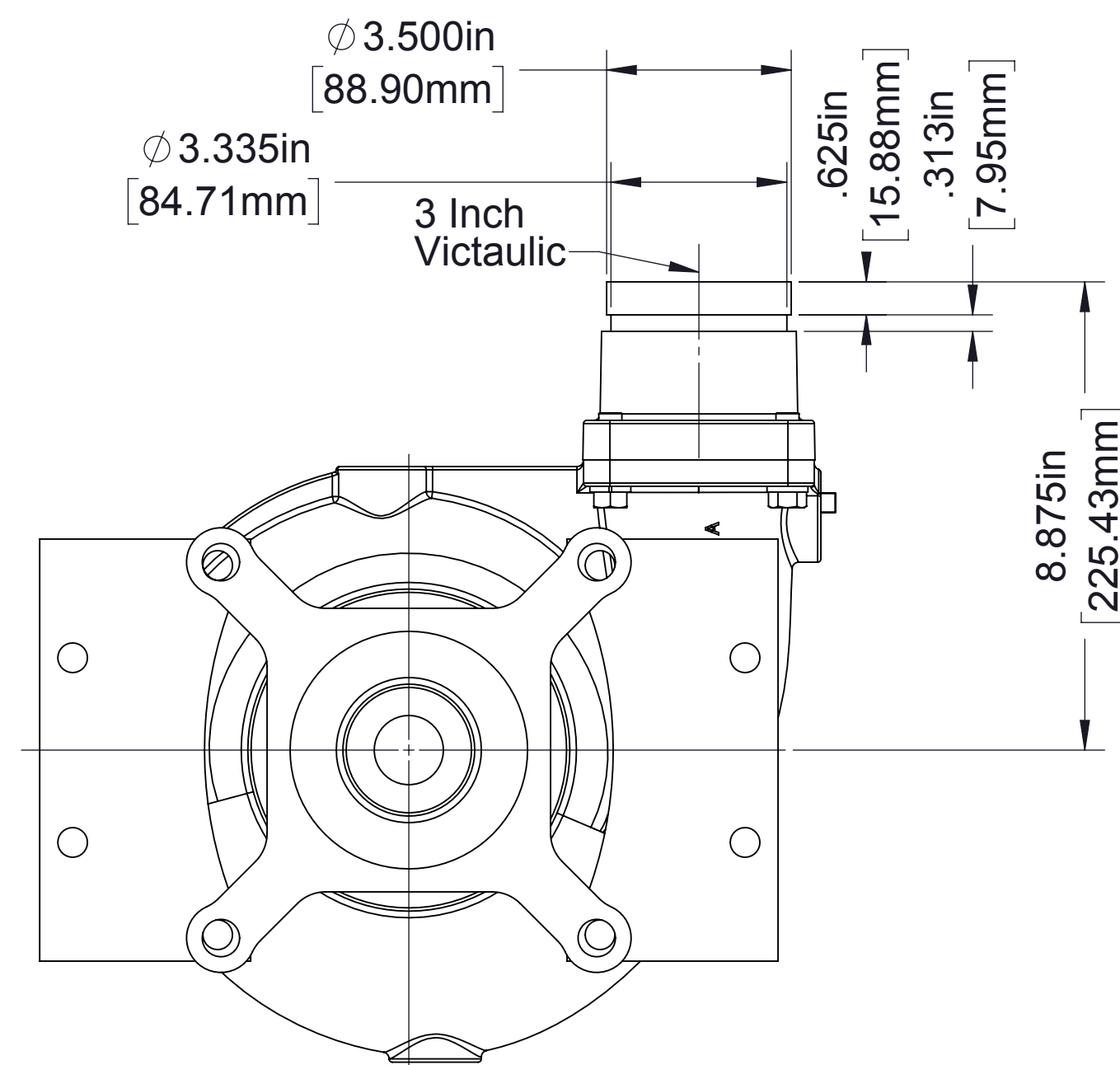
Note: See drawing DPL82080 for additional details of PA transmission



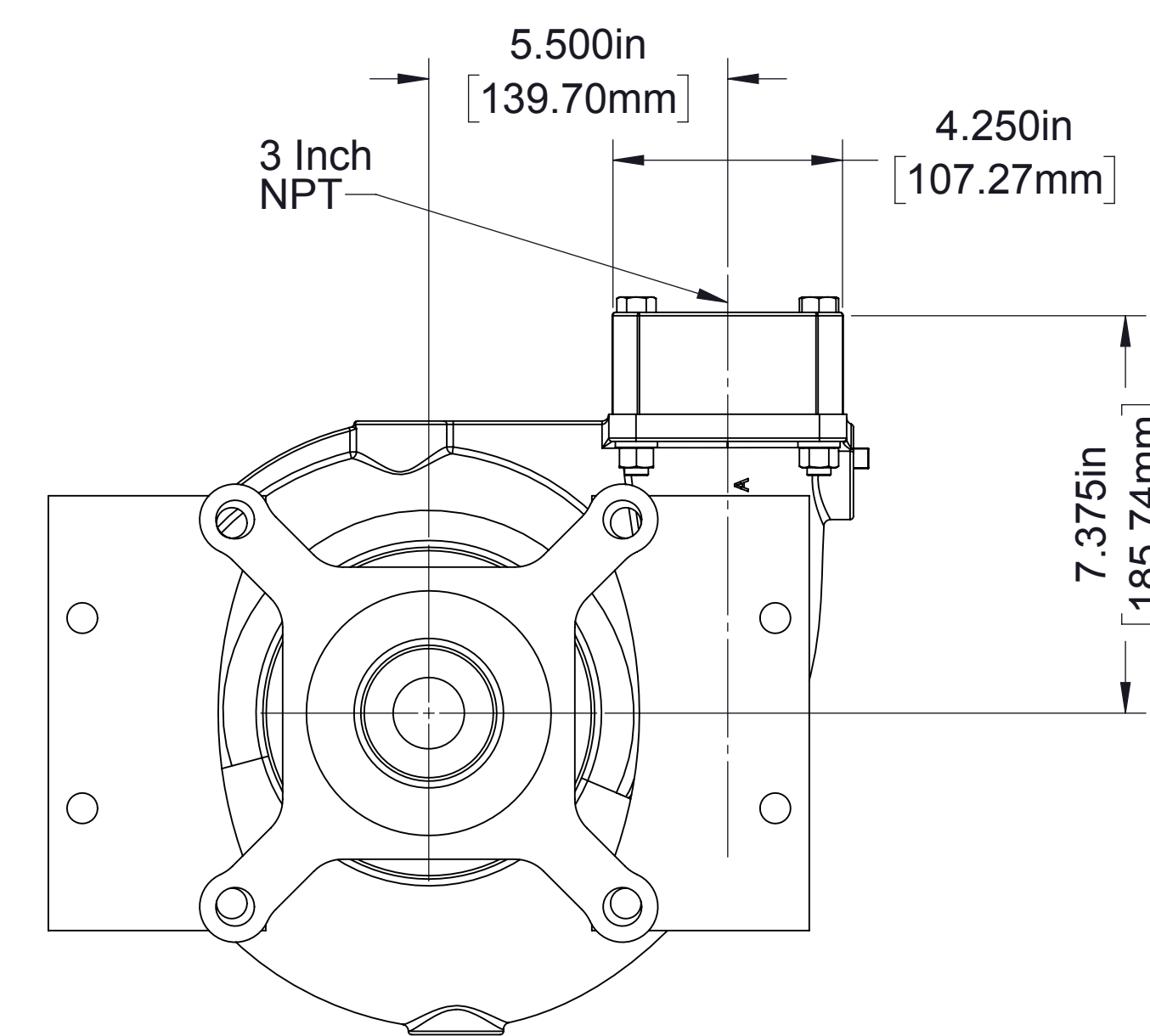
4.250in/107.95mm Square flange.
4 X 7/16-14 UNC-2B tapped holes on 4.375in/111.13 B.C. both sides (See drawing DPL82055 for information on ordering 2-1/2 Inch discharge fitting)



Optional Pump Discharge Head

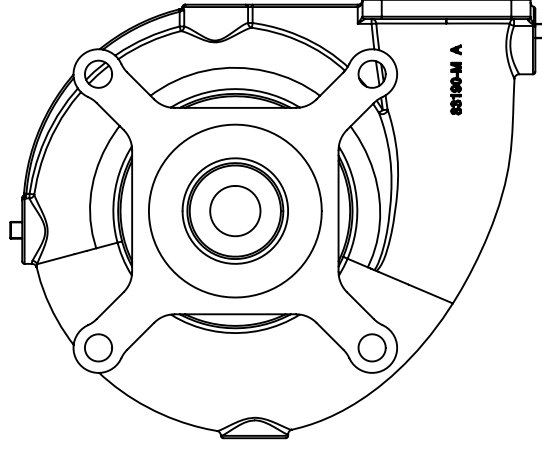
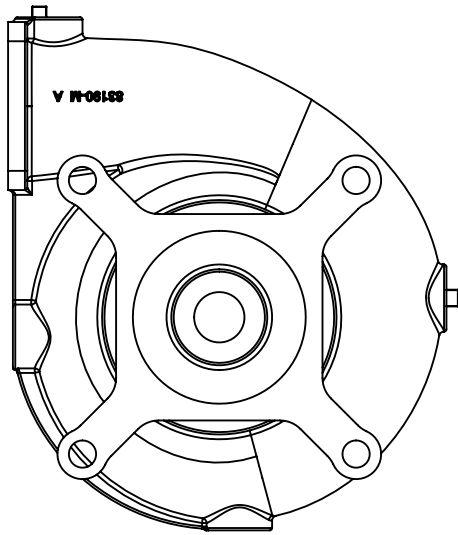
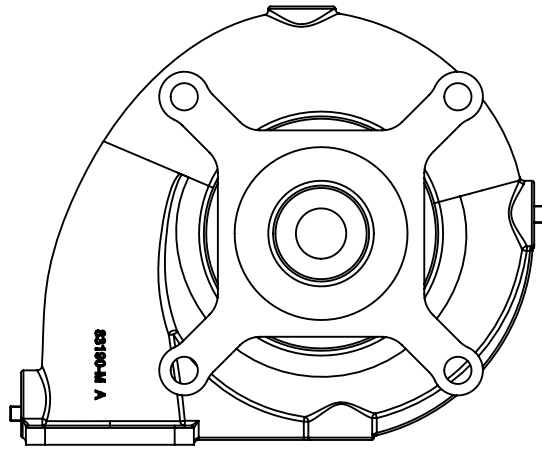
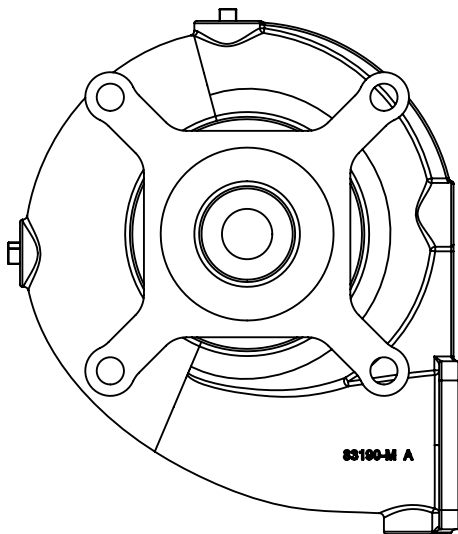


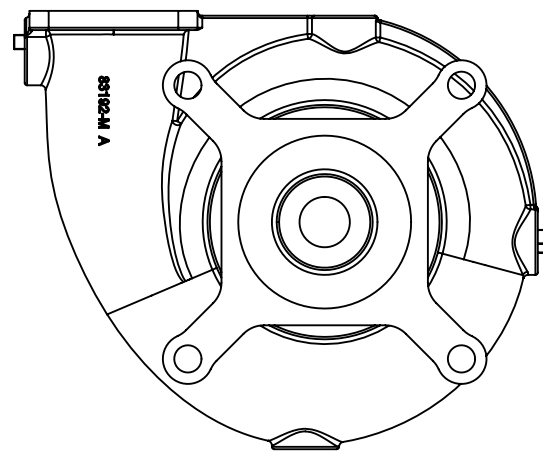
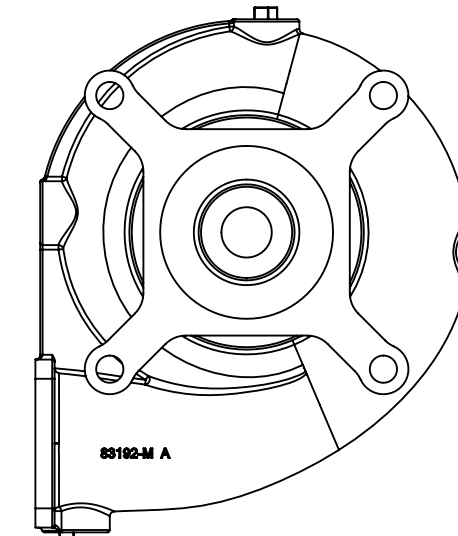
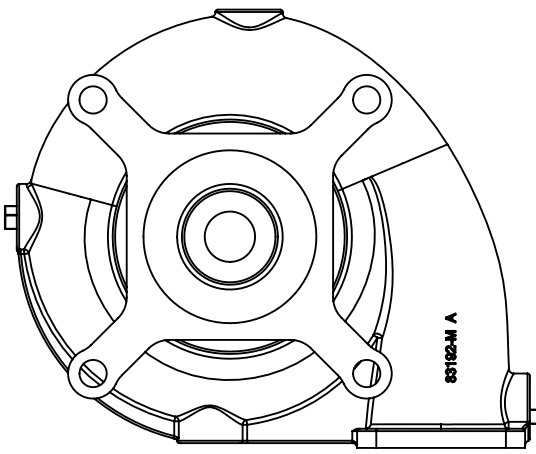
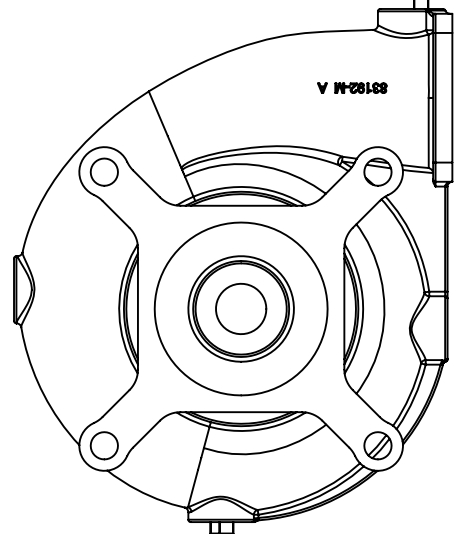
Optional 3 Inch Victaulic Flange On Discharge



Optional 3 Inch NPT Tapped Flange On Discharge

Optional Discharge Fittings

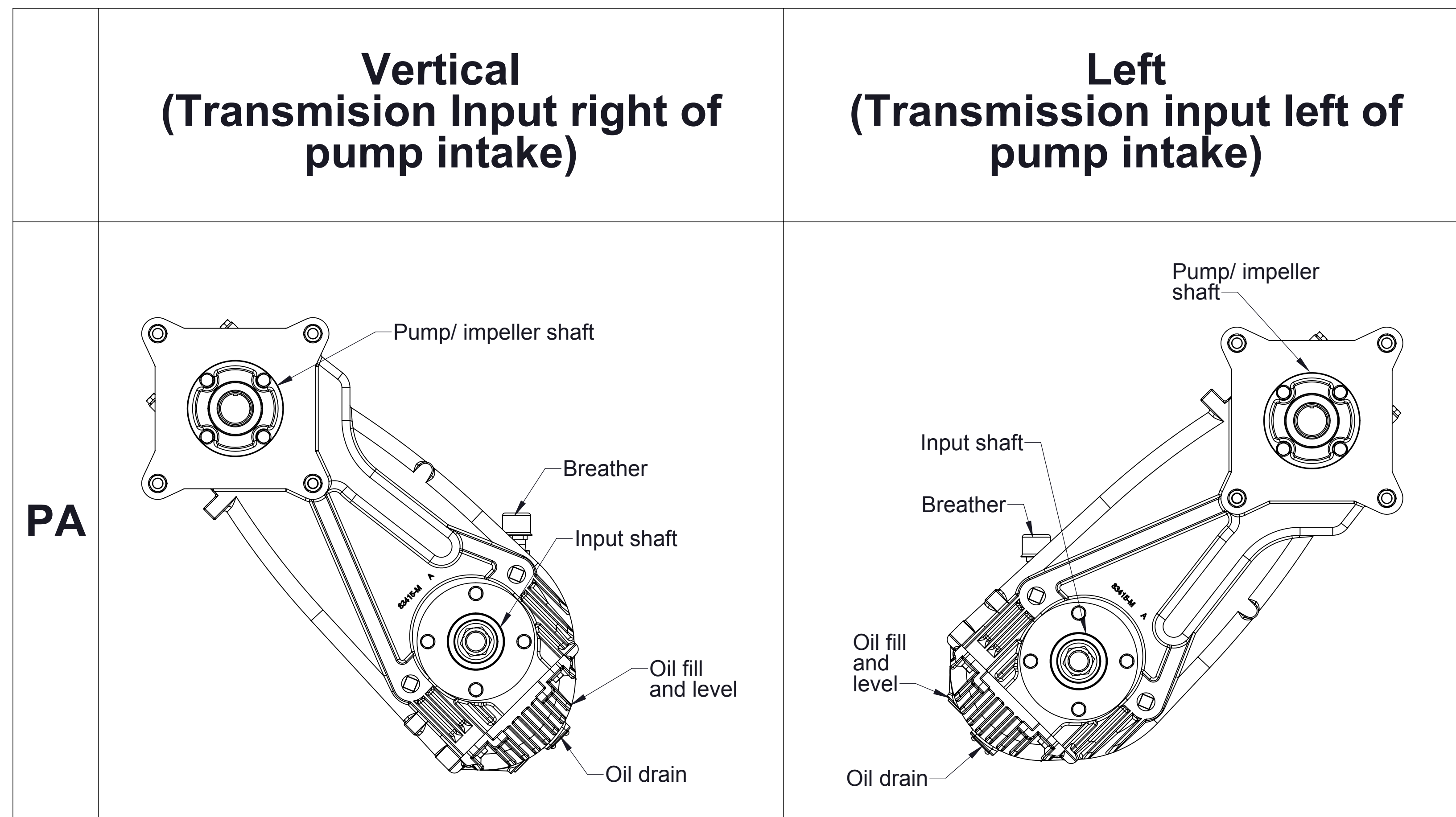
Discharge Position		Available With:			
		Transmission Series			
		K	PA		T
Vertical (Right)	Horizontal (Left)				
Up		Yes	Yes	Yes	Yes
Left		Yes	Yes	No	Yes
Down		Yes	Yes	No	Yes
Right		Yes	Yes	No	Yes
Clockwise (CW) Input Rotation					

Discharge Position		Available with:	
		Transmission Series	
		K	T
Up		Yes	Yes
Left		Yes	Yes
Down		Yes	Yes
Right		Yes	Yes
Counterclockwise (CCW) Input Rotation			

Available pump discharge positions as viewed from transmission end of pump

	Vertical	Inverted	Left	Right
K				
T			Not Available	Not Available

**Available transmission mounting positions
as viewed from transmission input shaft**



**Available transmission mounting positions
as viewed from transmission input shaft**