

SPECIFICATIONS – ACCESSORIES: TANK TO PUMP VALVE

Attack a Fire Before Connecting to a Hydrant



The Waterous tank to pump valve is a true 3-1/2", full-flow valve that allows water flow from the vehicle's tank to the vehicle's pump, enabling firefighters to begin attacking a fire prior to connection to a fire hydrant or other water source.

Description

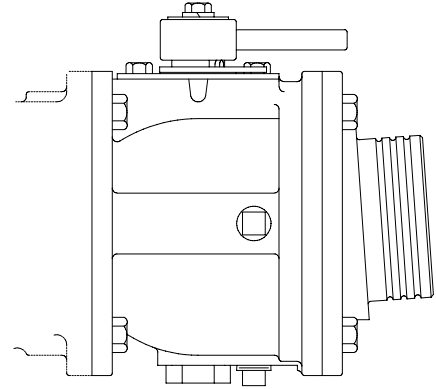
Consisting of a 3-1/2" chrome-plated bronze ball with spring-loaded seal assembly and a patented floating seal design that flushes out any sand when the valve is moved from one position to another, the tank to pump valve offers dependable performance you expect from Waterous.

Available with 3-1/2" angle compensated, 4" non-angle compensated or 4" angle compensated hose flanges, the valve easily allows flows of 750 GPM from the tank.

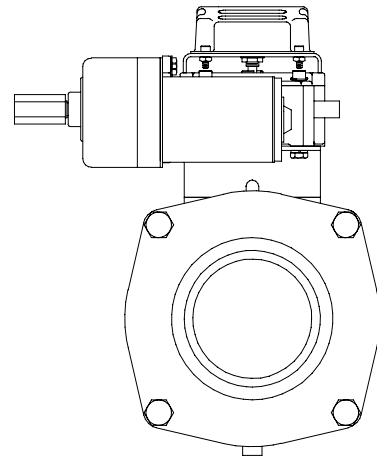
The valve can be operated manually or with an optional 12 or 24 volt electric rotary actuator.

The electric actuator is designed for easy positioning of valves with a panel mounted switch. The compact control panel has bright LED's for accurate, easy to read valve position

Manually Operated Tank to Pump Valve



Tank to Pump Valve with Electric Rotary Actuator



Industry Leading Sales and Support

When you purchase equipment, not only do you get quality products, you get quality service. Our expert service technicians are the best in the business and they are always happy to answer any service questions you might have.

Sales/Applications Assistance
Phone: 651-450-5234 (Press 3)
pumpsales@waterousco.com

Service Assistance
Phone: 651-450-5200
Fax: 800-488-1228
service@waterousco.com

THEN, NOW, ALWAYS. MOVING FORWARD.