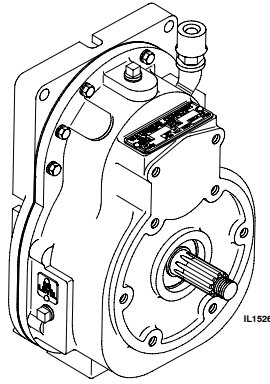




SPECIFICATIONS – TRANSMISSIONS: MODEL K



Available Models:

Drive	Type	Model	Helical Gear Data			Power Capability (See Note)	Input Shaft	Available Ratios
			Pitch	Face Width	Center Distance			
Truck Transmission Mounted PTO	Two-Gear Without Clutch	Medium Duty K (MDK)	12	1-1/2 in.	4.589 in. 116.56 mm	Equipment Requiring Up to 65 HP (48.5 kW)	1-1/8 in. Straight Keyed Shaft or SAE Class "C" 2 or 4 Bolt Hydraulic Flange	1.62, 1.97, 2.55, 2.79, 2.93, 3.40, 4.00, 4.79
		Heavy Duty K (HDK)	8	1-5/8 in.	4.589 in. 116.56 mm	Equipment Requiring Up to 150 HP (111.9 kW)	1-3/8-10 SAE Spline or Class "C" 2 or 4 Bolt Hydraulic Flange	1.16, 1.30, 1.38, 1.56, 1.65, 1.88, 2.14, 2.45, 2.83
		Extra Heavy Duty k (EHDK)	8	2-1/4 in.	4.50 in. 114.30 mm	Equipment Requiring Up to 65 HP (48.5 kW)	1-1/2-10 SAE Class "D" 4 Bolt Hydraulic Flange	1.27, 1.42, 1.69, 2.00, 2.12, 2.56

Note: Power capability list is for general guidelines only. Contact Waterous Applications Manager for your specific requirements.

Specifications:

Input Rotations:

- Clockwise or counter clockwise (All Models)

Case Mounting:

- Medium Duty K - Vertical, Horizontal (Left or Right), Inverted
- Heavy Duty K – Vertical, Horizontal (Left or Right) Inverted
- Extra Heavy Duty K – Vertical, Horizontal (Left or Right)

Tachometer:

- Optional Mechanical Gear Drive (All Models)

Industry-Leading Sales and Support

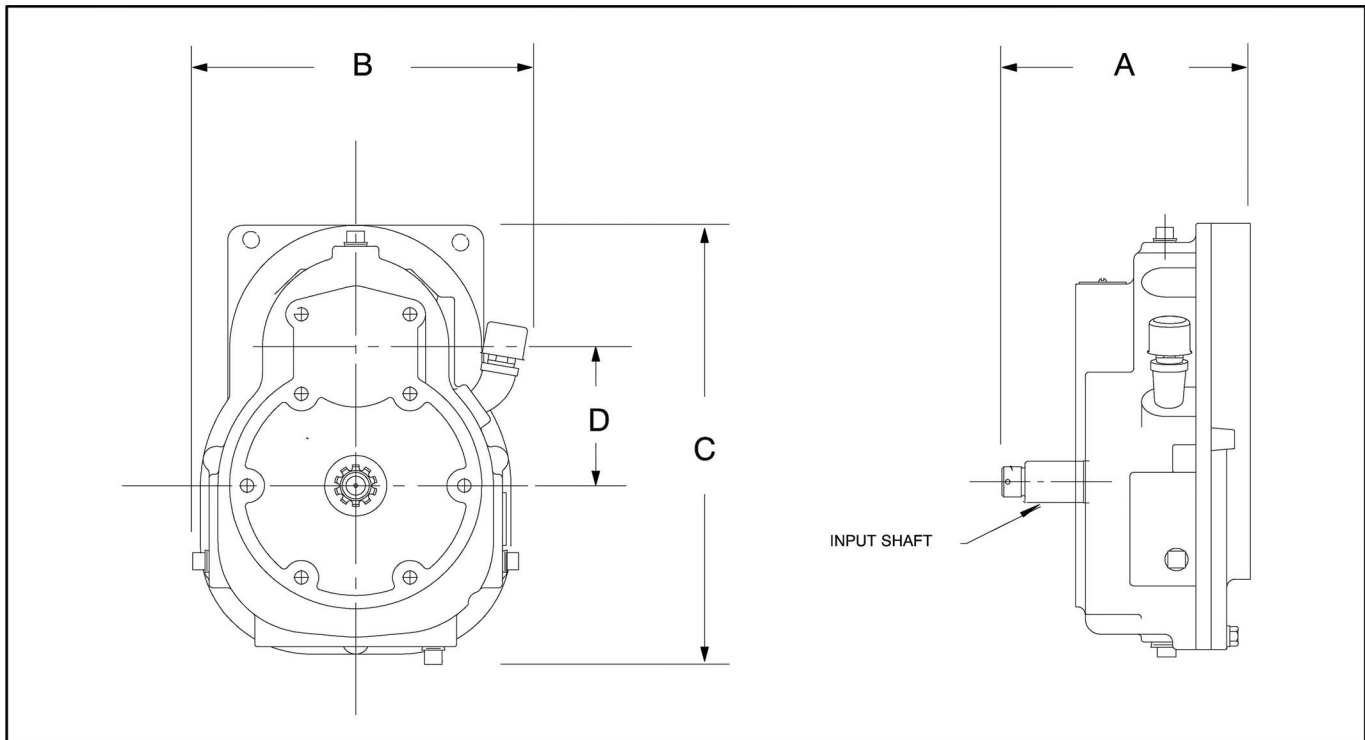
When you purchase Waterous equipment, not only do you get quality products, you get quality service. Our expert service technicians are the best in the business and they are always happy to answer any service questions you might have.

Sales/Applications Assistance
Phone: 651-450-5234 (Press 3)
pumps@waterousco.com

Service Assistance
Phone: 651-450-5200
Fax: 800-488-1228
service@waterousco.com

SPECIFICATIONS – TRANSMISSIONS: MODEL K

K Series Gear Drive Transmission Dimensions



Approximate Dimensions	Model	
	K Medium & Heavy Duty	K Extra Heavy Duty
A (Length)	8 in (203.20 mm)	10 in. (254.00 mm)
B (Width)	10 in. (254 mm)	10 in. (254.00 mm)
C (Height)	14-1/2 in. (383.30 mm)	14-1/2 in. (383.30 mm)
D (Center to Center)	4-19/32 in. (116.68 mm)	5 in (127.00 mm)