

SPECIFICATIONS – ACCESSORIES: MONARCH INTAKE VALVE

Pressure Control



The Waterous Monarch Intake Valve is a package including an extra short intake fitting, an intake butterfly valve and an intake nipple with integral relief valve mounting pad, all designed to fit behind the pump panel.

Description:

The Waterous Monarch features a Jamesbury Wafer-Sphere[®] high performance butterfly valve. This tough breed of butterfly valve delivers longer cycle life, tighter seals and greater reliability than other valve body types.

The Monarch also features a provision for a pre-valve relief valve and your choice of a manual worm gear or pneumatic actuator or electric rotary actuator.

Specifications

Jamesbury Wafer-Sphere^{®1}

- Flexible lip seat allows tight shut-off and compensates for wear. Does not require additional O-rings or fillers to maintain tightness.
- Offset shaft and patented seat design reduces opening and closing torque.
- Easy seat maintenance. Remove the body's insert and replace the seat. Disassembly of the disc and shaft connection is not required.

¹From Jamesbury Wafer-Sphere[®] Specification Sheet W101-6

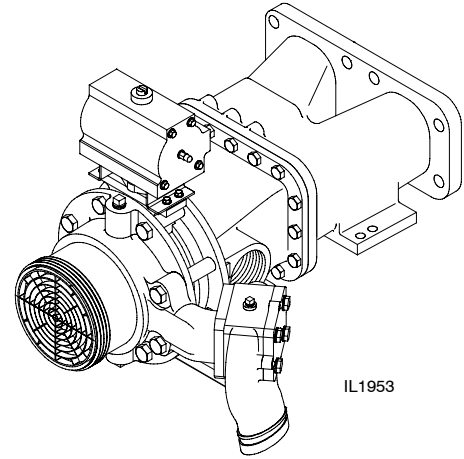
5-Inch or 6-Inch NH Nipple

Available in three different lengths with or without a pump valve provision:

- 76-1/4" (intake end to intake end)
- 78-1/4" (intake end to intake end)
- 80-1/4" (intake end to intake end)

Options

The Waterous intake relief valve is designed to dump excess pressure from the inlet side of the pump. See Intake Relief Valves, F-2192.



Industry Leading Sales and Support

When you purchase equipment, not only do you get quality products, you get quality service. Our expert service technicians are the best in the business and they are always happy to answer any service questions you might have.

Sales/Applications Assistance
Phone: 651-450-5234 (Press 3)
pumpsales@waterousco.com

Service Assistance
Phone: 651-450-5200
Fax: 800-488-1228
service@waterousco.com

RAISING THE BAR ON INNOVATION, RELIABILITY AND SERVICE