

Issued: 4/91
Revised: 11/02/07

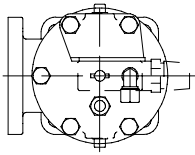


WATEROUS
SOUTH ST. PAUL, MINNESOTA

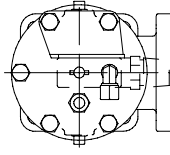
2 Inch Relief Valve Assembly

REF NO.	DESCRIPTION	REF NO.	DESCRIPTION
V2	Drain cock	V33	Switch ground wire assembly (used prior to 6/1/86)
V4	Valve spring	V34*	Indicator light panel plate (used prior to 2/25/91) (Furnished as part of pilot valve after 2/25/91)
V5	Main valve	V35	Wiring harness
V6	Cover gasket	V36	Indicator light, green lens (closed)
V7	Valve cover	V37	Indicator light, amber lens (open)
V8	Valve body subassembly (includes seat V12 & sleeve V13)	V38	Light bulb (12 volt - light no. 1891) (24 volt - light no. 313)
V9	Cap screw, 3/8-16 x 1 in.	V39	Actuator switch
V10	O-ring	V40	Connecting and sealing device (used prior to 6/1/86, see drawing on page 2)
V11	Square head pipe plug, 1/4 in.	V40	Sealing grip (straight or 90° elbow, used after 6/1/86, see drawing on page 1)
V12	Seat	V41	Hex nut, No. 8-32 (not furnished by Waterous after 5/15/88)
V13	Sleeve	V42	Round head screw, SS, No 8-32 x 3/8 in. (not furnished by Waterous after 5/15/88)
V15	Square head pipe plug, 1/4 in, brass	V43	Lock washer, No. 8 (not furnished by Waterous after 5/15/88)
V21	Switch actuating rod	V52	O-ring
V22	Actuating rod spring	V59	Complete replacement valve without wiring assembly
V24	Switch mounting bracket	V60	Repair kit (consists of V6, V10, V25, V27 and V52)
V25	O-ring	V61	Compression connector, 3/8 tube x 1/4 NPT
V26	Plain copper washer, 3/8 in.	V62	Compression elbow, 90°, 3/8 tube x 1/4 NPT
V27	Groove pin, SS, 1/8 x 5/8 in.		
V28	Flared coupling nut, 3/8 in.		
V29	Half union elbow, 1/4 pipe to 3/8 tube		
V30	Wiring assembly (includes items 31 through 43)		
V31	Wire assembly		
V32	Wire, indicating lights		

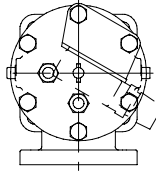
PLEASE NOTE
WHEN ORDERING PARTS PLEASE SUPPLY PUMP SERIAL NUMBER



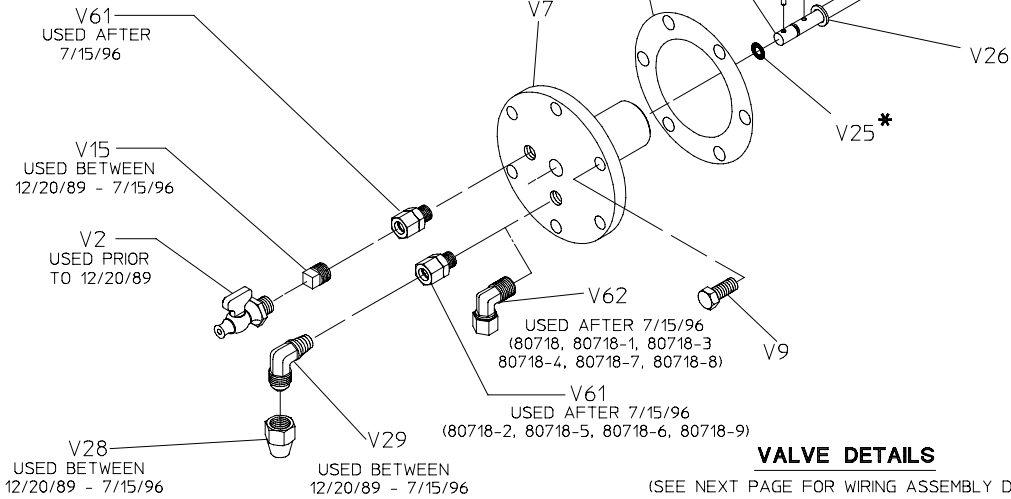
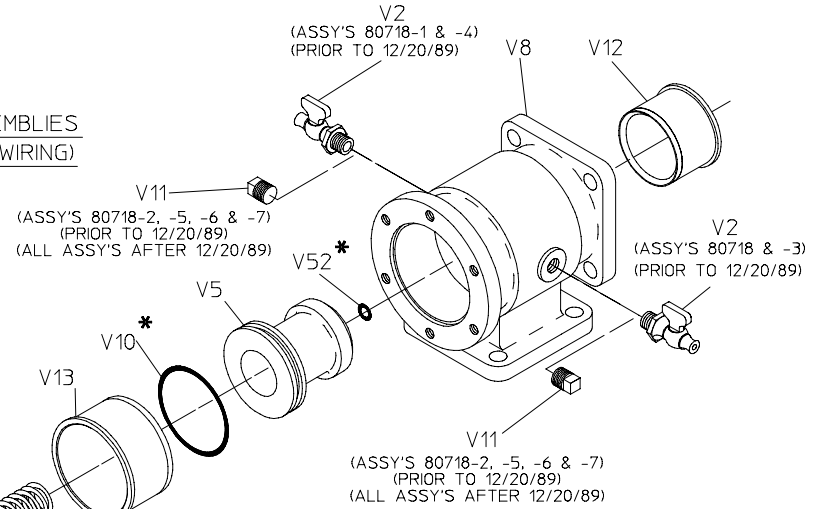
LEFT FACING DISCHARGE ASSEMBLIES
 80718 (12V), 80718-3 (W/O WIRING), 80718-7 (24V)
 & 80718-8 (12V OR 24V)



RIGHT FACING DISCHARGE ASSEMBLIES
 80718-1 (12V) & 80718-4 (W/O WIRING)

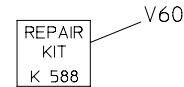
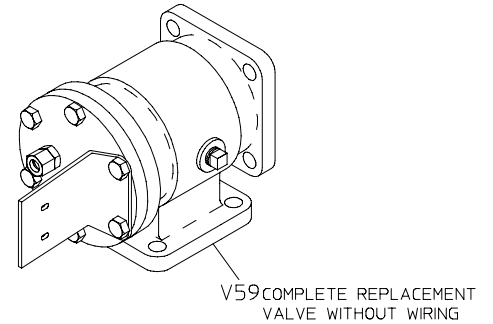


DOWN FACING DISCHARGE ASSEMBLIES
 80718-2 (12V), 80718-5 (W/O WIRING), 80718-6 (24V)
 & 80718-9 (12V OR 24V)

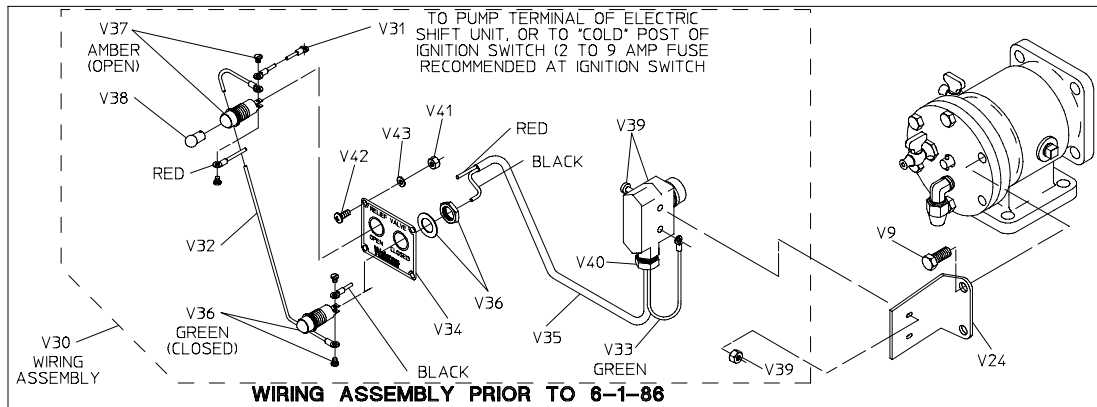


VALVE DETAILS

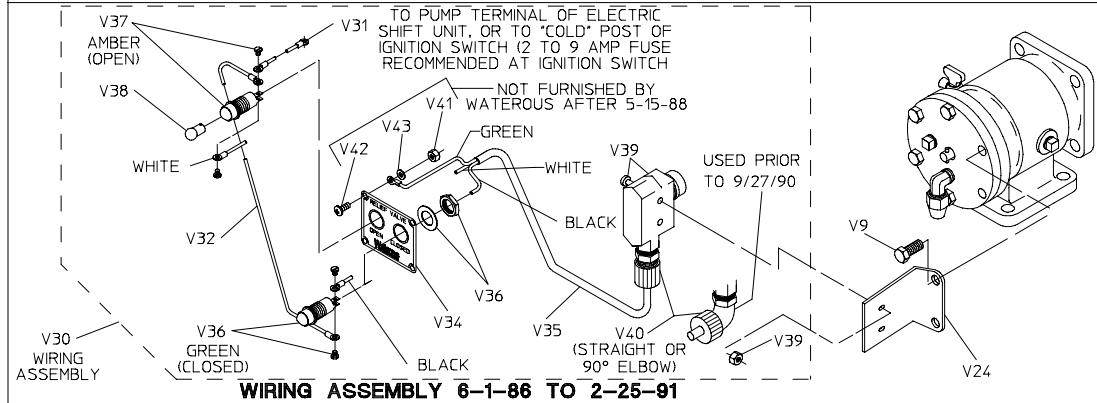
(SEE NEXT PAGE FOR WIRING ASSEMBLY DETAILS)



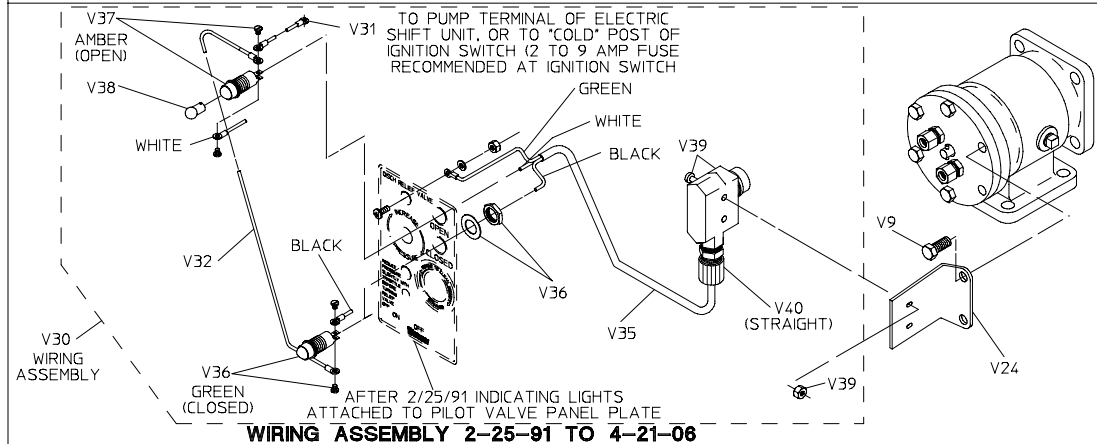
* COMPONENTS OF REPAIR KITS V60



WIRING ASSEMBLY PRIOR TO 6-1-86

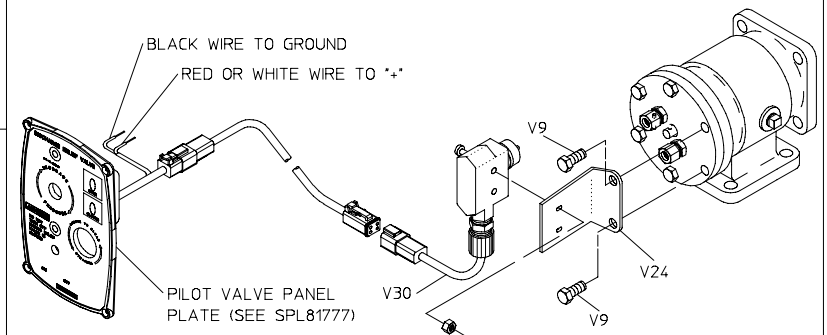
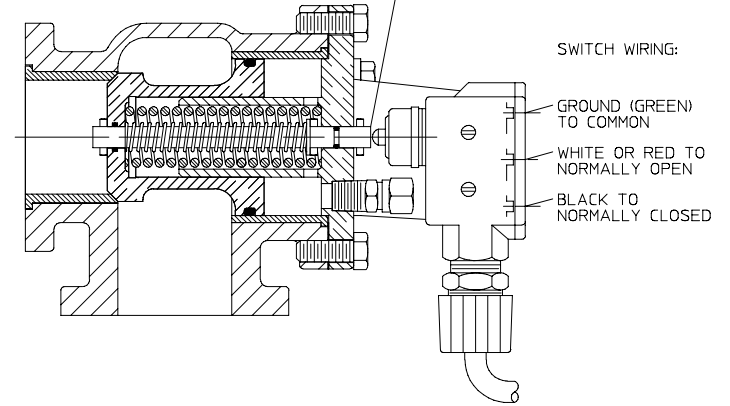


WIRING ASSEMBLY 6-1-86 TO 2-25-91



WIRING ASSEMBLY 2-25-91 TO 4-21-06

NOTE: ADJUST POSITION OF SWITCH SO THAT INSERTION OF A .015 IN. FEELER GAGE WILL LIGHT AMBER INDICATOR, BUT INSERTION OF A .010 IN. FEELER GAGE WILL NOT.



WIRING ASSEMBLY AFTER 4-21-06

WIRING DETAILS