

2 Inch Relief Valve and Piping Service Parts List

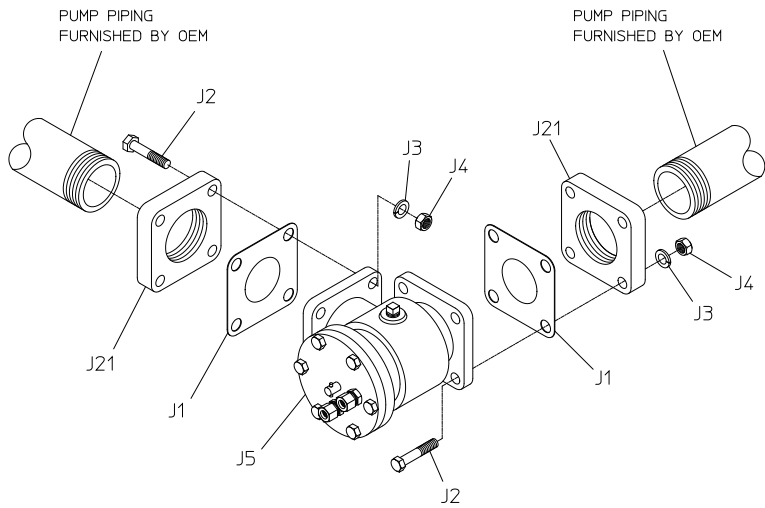
Index:

| Valve Mounting | See Page |
|---|-----------------|
| Separate (Plumbed into pump piping by OEM) | 2, 3 |
| On Pump (By Waterous) | 4, 5 |

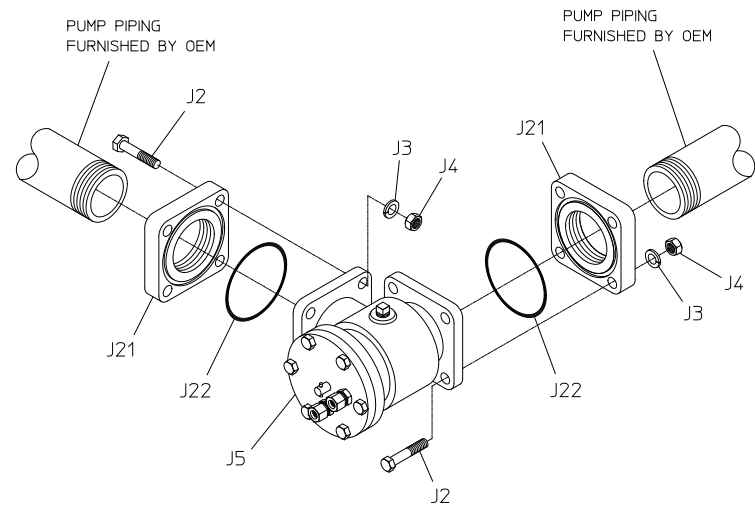
Separately Mounted Valve

| REF NO. | DESCRIPTION |
|---------|---|
| J1 | Flange Gasket |
| J2 | Hex Hd Bolt, 7/16-20 x 2 in. or 2-1/4 in. |
| J3 | Lock Washer |
| J4 | Hex Nut, 7/16-20 |

| REF NO. | DESCRIPTION |
|---------|--|
| J5 | Relief Valve Assembly, Indicating or Non-Indicating (See Separate Parts List for Component Parts) |
| J21 | Tapped Flange, 2 or 2-1/2 NPT (Optional) |
| J22 | O-ring, 3-1/4 x 3-1/5 in. |



FLANGES SEALED WITH GASKETS
(PRIOR TO SEPTEMBER 28, 2009)



FLANGES SEALED WITH O-RINGS
(AFTER SEPTEMBER 28, 2009)

SEPARATELY MOUNTED VALVE

Pump Mounted Valve

| REF NO. | DESCRIPTION |
|---------|--|
| J1 | Flange Gasket |
| J2 | Hex Hd Bolt, 7/16-20 x 1-3/4 in. or 2 in. |
| J4 | Hex Nut, 7/16-20 |
| J5 | Relief Valve Assembly, Indicating or Non-Indicating (See Separate Parts List for Component Parts) |

| REF NO. | DESCRIPTION |
|---------|--|
| J8 | Cap Screw, 7/16-14 x 1-1/4 in. Grade 5 |
| J10 | Drain Cock, 1/4 in. (Furnished Prior to December 20, 1989) |
| J12 | Relief Valve Adapter |

