



| | | |
|------------------|--------------|----------------|
| Document Number | Issue Date | Rev. Date |
| SPL 80729 | 01/71 | 3/18/15 |

CGV Series Body Assembly Service Parts List

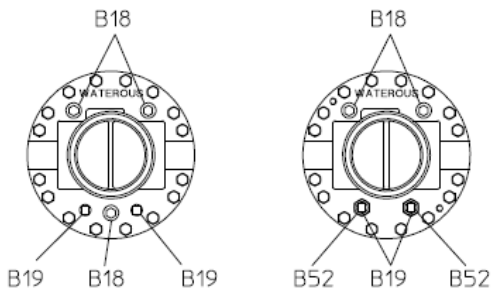
Index:

| Models | See Page |
|----------------|-----------------|
| CGV, CGVN CGVR | 2, 3 |
| CGVG | 4, 5 |

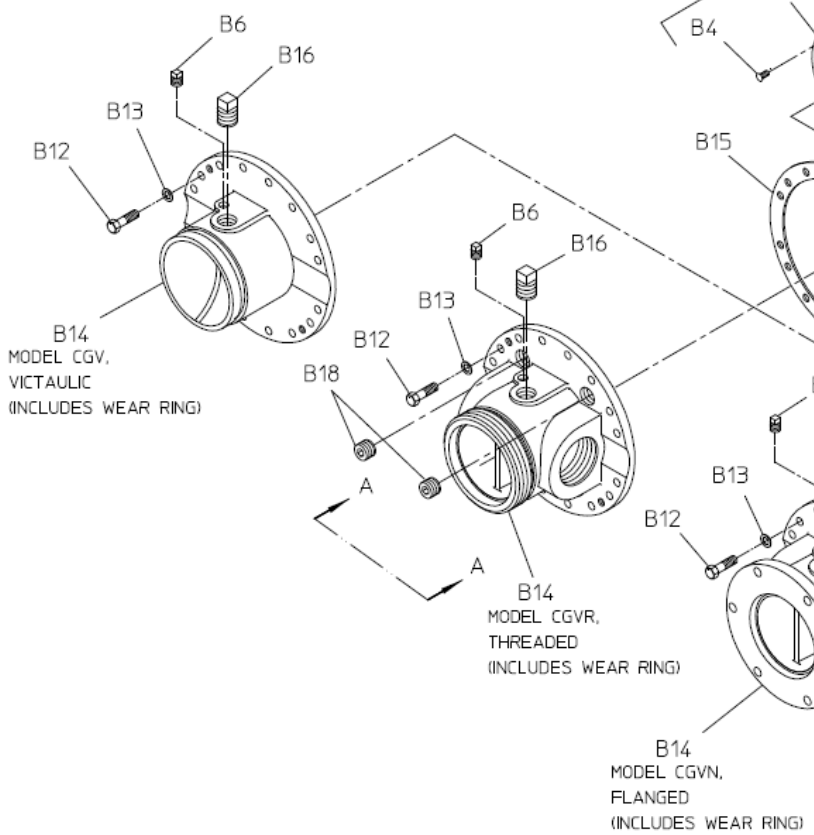
Models CGV, CGVN, CGVR

| REF. NO. | DESCRIPTION |
|----------|--|
| B2 | O-ring, 4-1/4 X 4-1/2 in. |
| B3 | Packing or Mechanical Seal Housing |
| B4 | Flat Hd Machine Screw, SS, 5/16-18 x 3/4 in. |
| B5 | Volute Body (Includes Wear Ring, B2, B3, B4) |
| B6 | Square Hd Pipe Plug, 1/4 in. |
| B7 | Discharge Adapter |
| B8 | O-ring, 3-3/8 x 3-5/8 in. |
| B9 | Hex Hd Bolt, 5/8-18 x 2-1/4 in., Grade 5 |
| B10 | Hex Nut, 5/8-18 |
| B11 | Lock Washer, 5/8 in. |

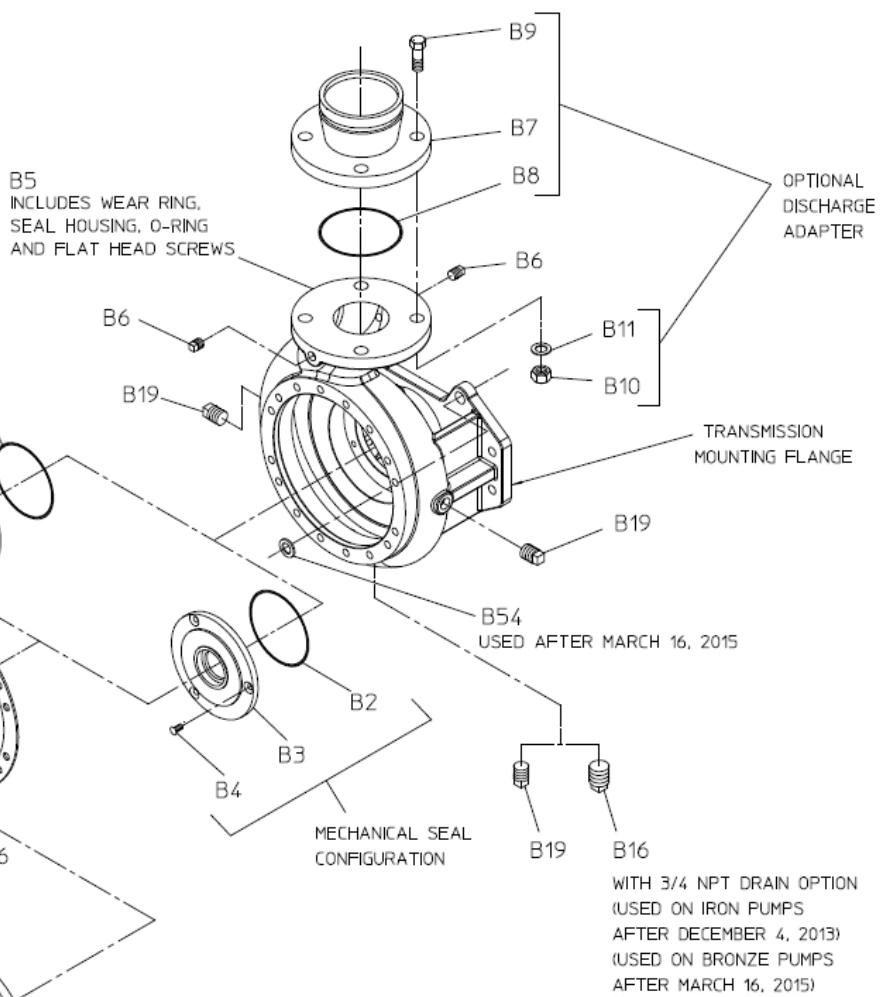
| REF. NO. | DESCRIPTION |
|----------|---|
| B12 | Hex Hd Bolt, 7/16-14 x 1-1/4 in., Grade 5 |
| B13 | Lock Washer, 7/16 in. |
| B14 | Threaded or Flanged Victaulic Intake Adapter (Includes Wear Ring) |
| B15 | Intake Adapter Gasket |
| B16 | Square Hd Pipe Plug, 3/4 in. |
| B18 | Square Socket Pipe Plug, 3/4 in. |
| B19 | Square Hd Pipe Plug, 3/8 in. |
| B52 | Reducing Bushing, 3/4 in. x 3/8 in. NPT |
| B54 | Flat Washer, 1/2 |



VIEW A-A
MODEL CGVR INTAKE
ADAPTER PIPE PLUG VARIATIONS



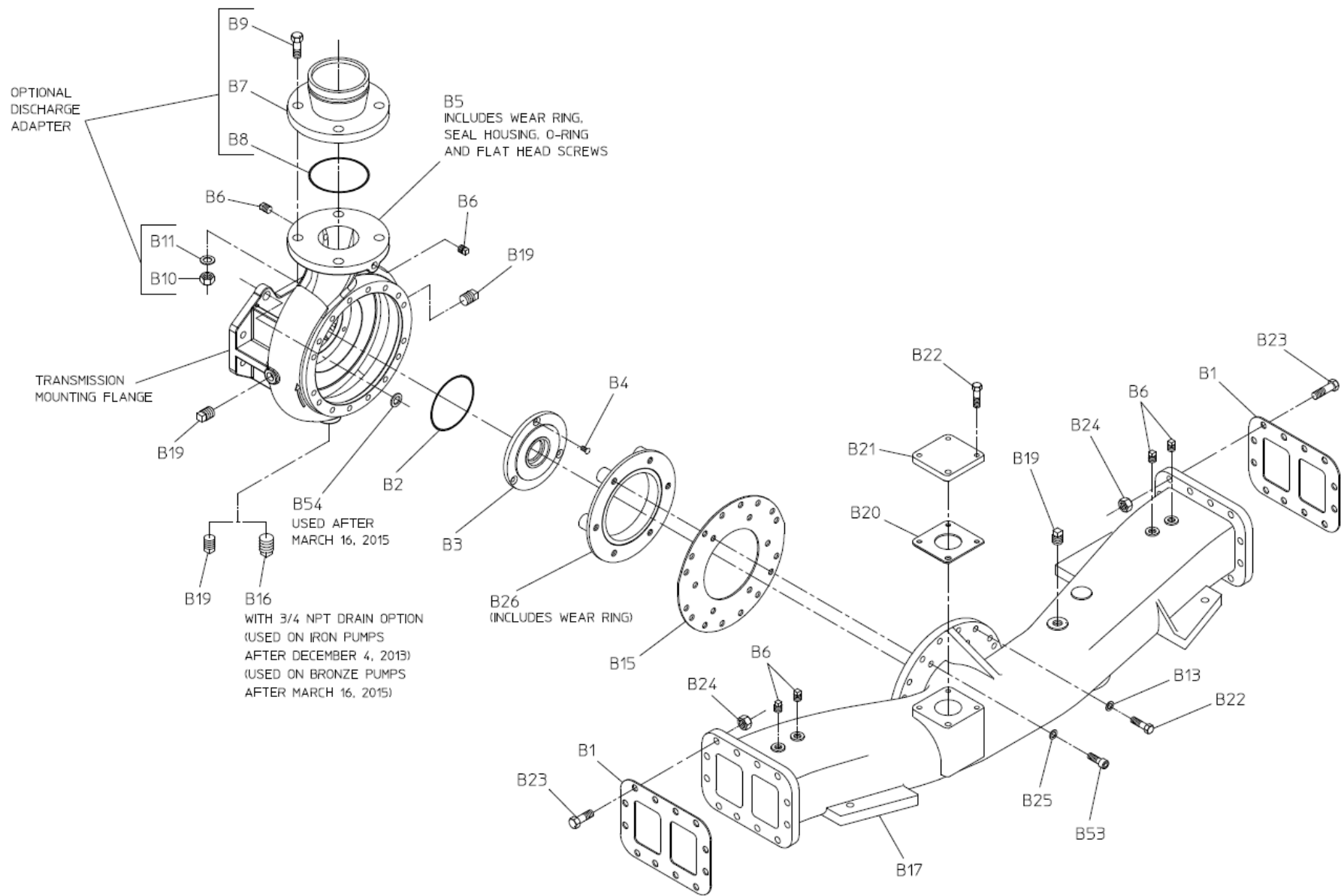
MODELS CGV, CGVR & CGVN



Model CGVG

| REF. NO. | DESCRIPTION |
|----------|--|
| B1 | Intake Fitting Gasket |
| B2 | O-ring, 4-1/4 X 4-1/2 in. |
| B3 | Packing or Mechanical Seal Housing |
| B4 | Flat Hd Machine Screw, SS, 5/16-18 x 3/4 in. |
| B5 | Volute Body (Includes Wear Ring, B2, B3, B4) |
| B6 | Square Hd Pipe Plug, 1/4 in. |
| B7 | Discharge Adapter |
| B8 | O-ring, 3-3/8 x 3-5/8 in. |
| B9 | Hex Hd Bolt, 5/8-18 x 2-1/4 in., Grade 5 |
| B10 | Hex Nut, 5/8-18 |
| B11 | Lock Washer, 5/8 in. |
| B13 | Lock Washer, 7/16 in. |
| B15 | Intake Adapter Gasket |

| REF. NO. | DESCRIPTION |
|----------|---|
| B16 | Square Hd Pipe Plug, 3/4 in. |
| B17 | Crosspipe |
| B19 | Square Hd Pipe Plug, 3/8 in. |
| B20 | Blind Flange Gasket |
| B21 | Blind Flange |
| B22 | Hex Hd Bolt, 7/16-14 x 1-1/4 in., Grade 5 |
| B23 | Hex Hd Bolt, 1/2-20 x 2 in., Grade 5 |
| B24 | Hex Nut, 7/16-20 |
| B25 | Flat Copper Washer, 7/16 in. |
| B26 | Wear Ring Housing (Includes Wear Ring) |
| B53 | Socket Hd Bolt, 7/16-14 x 1-1/4 in. |
| B54 | Flat Washer, 1/2 |



MODEL CGVG