

Issued: 4/91
Revised: 06/26/06

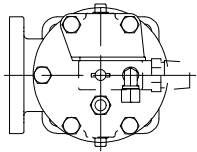


WATEROUS
SOUTH ST. PAUL, MINNESOTA

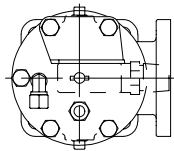
2 Inch Relief Valve Assembly

REF NO.	DESCRIPTION	REF NO.	DESCRIPTION
V2	Drain cock	V34*	Indicator light panel plate (used prior to 2/25/91) (Furnished as part of pilot valve after 2/25/91)
V4	Valve spring	V35	Wiring harness
V5	Main valve	V36	Indicator light, green lens (closed)
V6	Cover gasket	V37	Indicator light, amber lens (open)
V7	Valve cover	V38	Light bulb (12 volt – light no. 1891) (24 volt – light no. 313)
V8	Valve body	V39	Actuator switch
V9	Cap screw, 3/8–16 x 1 in.	V40	Connecting and sealing device (used prior to 6/1/86, see drawing on page 2)
V10	O–ring	V40	Sealing grip (straight or 90° elbow, used after 6/1/86, see drawing on page 1)
V11	Square head pipe plug, 1/4 in.	V41	Hex nut, No. 8–32 (not furnished by Waterous after 5/15/88)
V21	Switch actuating rod	V42	Round head screw, SS, No 8–32 x 3/8 in. (not furnished by Waterous after 5/15/88)
V22	Actuating rod spring	V43	Lock washer, No. 8 (not furnished by Waterous after 5/15/88)
V24	Switch mounting bracket	V52	O–ring
V25	O–ring	V59	Complete replacement valve without wiring assembly
V26	Plain copper washer, 3/8 in.	V60	Repair kit (consists of V6, V10, V25, V27 and V52)
V27	Groove pin, SS, 1/8 x 5/8 in.	V61	Compression connector, 3/8 tube x 1/4 NPT
V28	Flared coupling nut, 3/8 in.	V62	Compression elbow, 90°, 3/8 tube x 1/4 NPT
V29	Half union elbow, 1/4 pipe to 3/8 tube		
V30	Wiring assembly (includes items 31 through 43)		
V31	Wire assembly		
V32	Wire, indicating lights		
V33	Switch ground wire assembly (used prior to 6/1/86)		

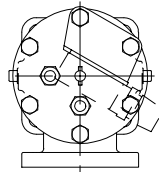
PLEASE NOTE
WHEN ORDERING PARTS PLEASE SUPPLY PUMP SERIAL NUMBER



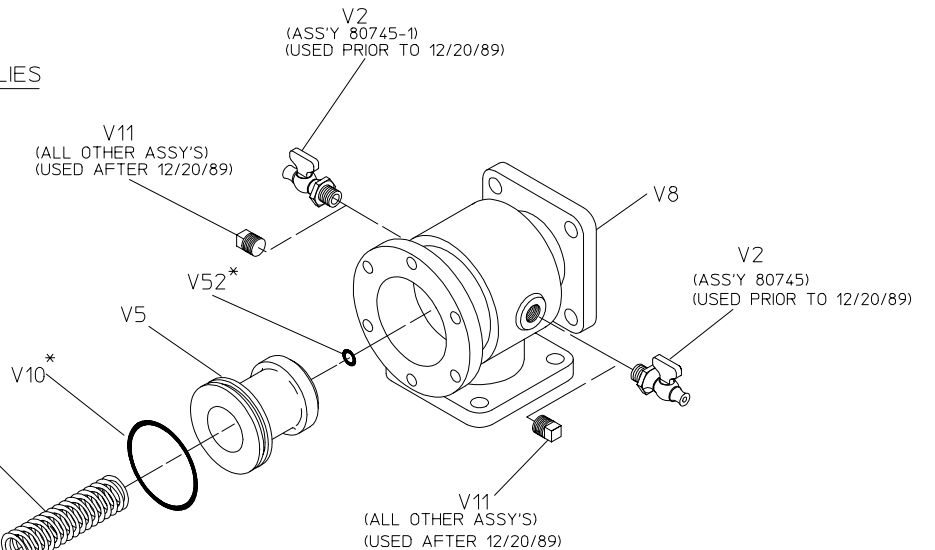
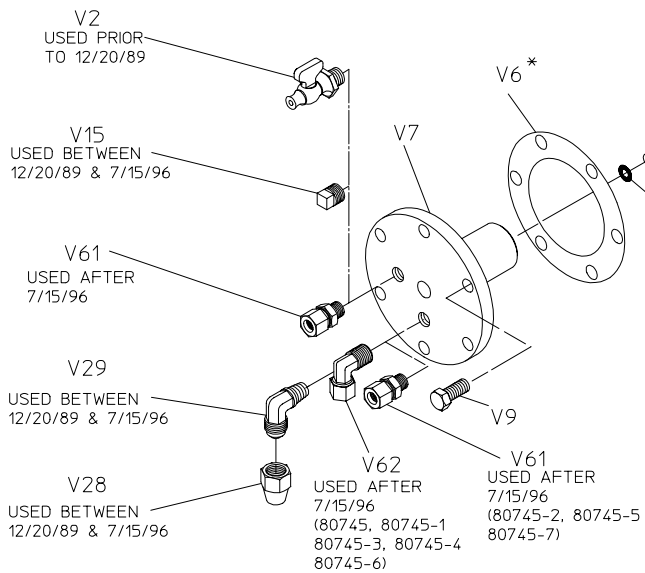
LEFT FACING DISCHARGE ASSEMBLIES
 80745 (12V), 80745-3 (24V),
 80745-6 (12V OR 24V) & 70807-3 (W/O WIRING)



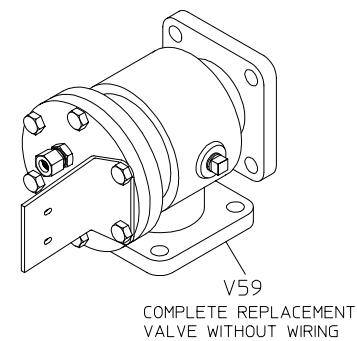
RIGHT FACING DISCHARGE ASSEMBLIES
 80745-1 (12V), 80745-4 (24V)
 & 70807-4 (W/O WIRING)



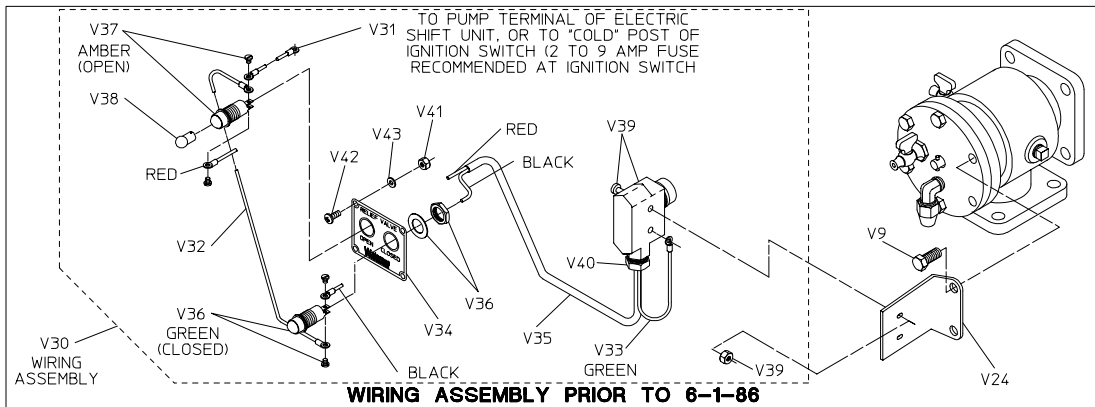
DOWN FACING DISCHARGE ASSEMBLIES
 80745-2 (12V), 80745-5 (24V),
 80745-7 (12V OR 24V) & 70807-5 (W/O WIRING)



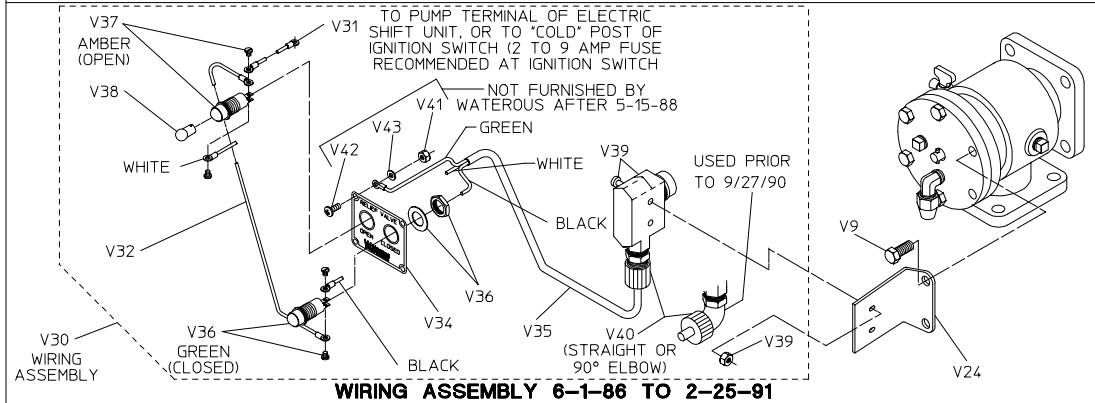
* COMPONENTS OF REPAIR KIT V60



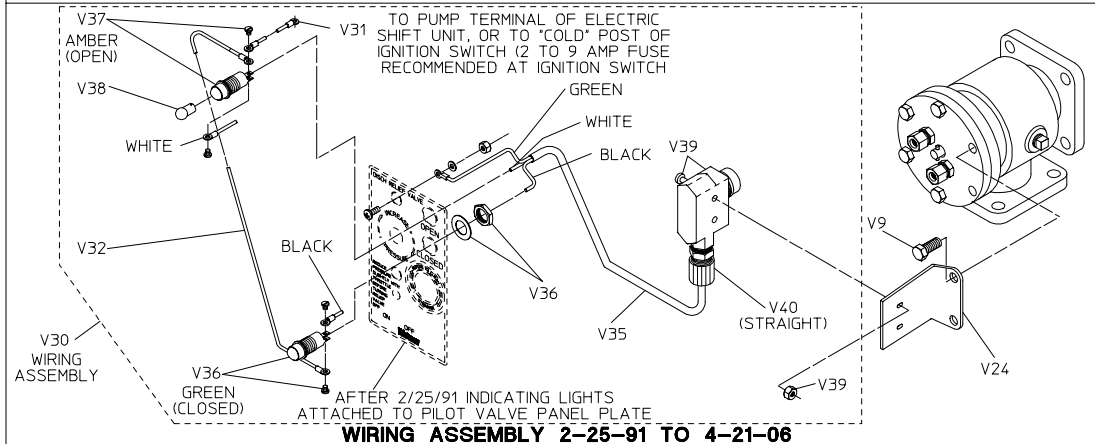
VALVE DETAILS
 (SEE NEXT PAGE FOR WIRING ASSEMBLY DETAILS)



WIRING ASSEMBLY PRIOR TO 6-1-86

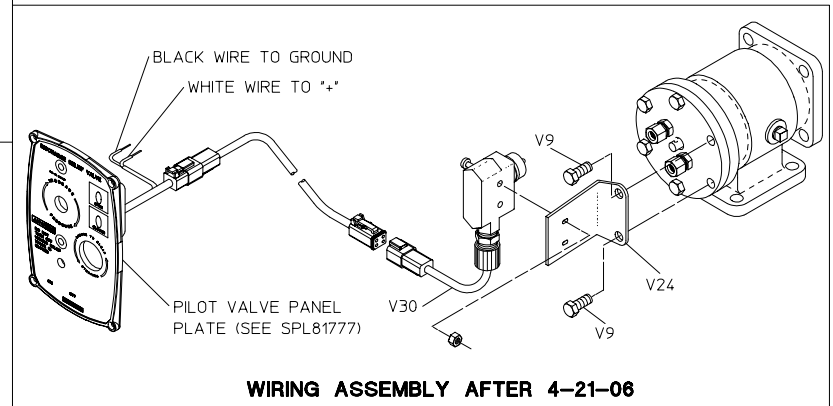
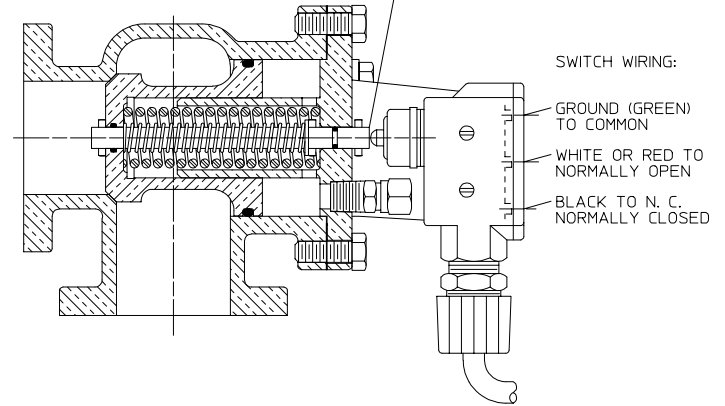


WIRING ASSEMBLY 6-1-86 TO 2-25-91



WIRING ASSEMBLY 2-25-91 TO 4-21-06

NOTE: ADJUST POSITION OF SWITCH SO THAT INSERTION OF A .015 IN. FEELER GAGE WILL LIGHT AMBER INDICATOR, BUT INSERTION OF A .010 IN. FEELER GAGE WILL NOT.



WIRING ASSEMBLY AFTER 4-21-06

WIRING DETAILS