



Document Number	Issue Date	Rev. Date
<b>SPL80751</b>	<b>08/71</b>	<b>5/20/20</b>

# Medium Duty T Transmission Assembly, CP, CL, E300 Service Parts List

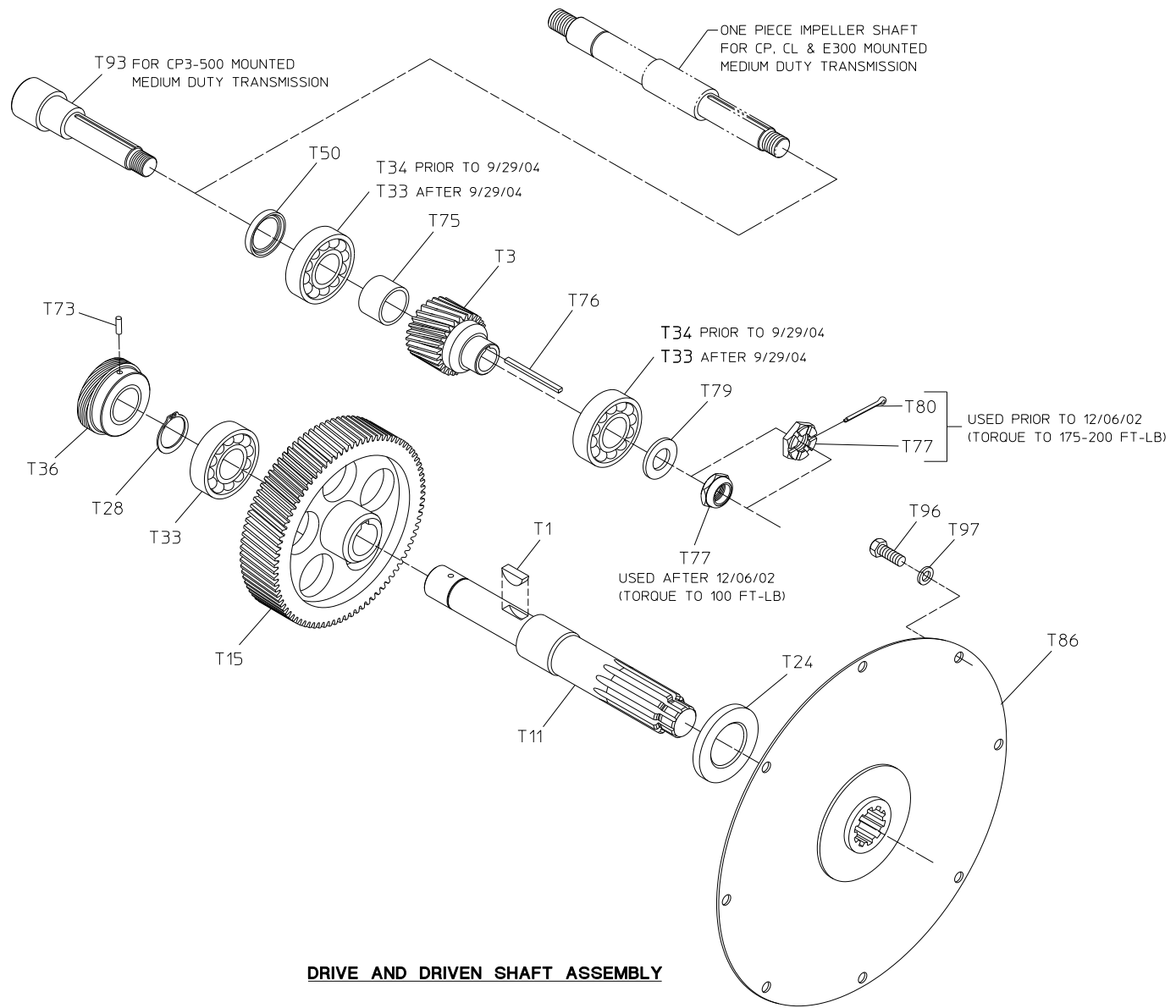
Index:

<b>Description</b>	<b>See Page</b>
Drive and Driven Shaft Assembly	2, 3
Gear Case Assembly	4, 5
Transmission Mounting Positions	6, 7
Pump Mounting Hardware	6, 7

## Drive and Driven Shaft Assembly

REF. NO.	DESCRIPTION
T1	Woodfruff Key
T3	Driven Gear
T11	Drive Shaft
T15	Drive Gear
T24	Oil Seal
T28	Retaining Ring
T33	Ball Bearing
T34	Ball Bearing
T36	Tachometer Drive Gear Assembly
T50	Oil Seal, 1-3/16 x 1-11/16 in. or 1-1/2 x 2-1/2 in.

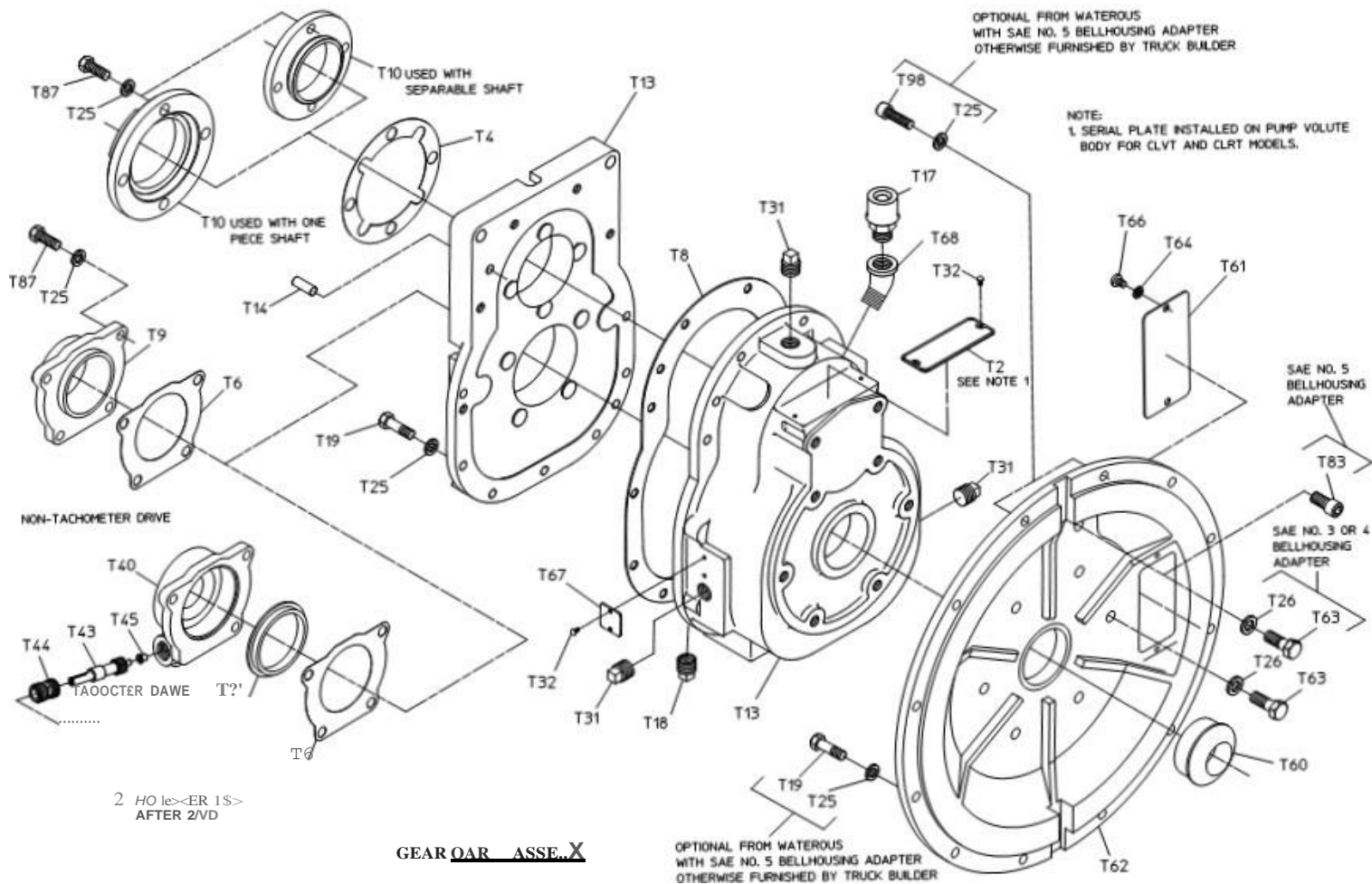
REF. NO.	DESCRIPTION
T73	Roll Pin, 3/16 x 5/8 in., SS
T75	Bearing Spacer
T76	Driven Gear Key, .125 x .189 x 2.597 in.
T77	Self-Locking Castle Nut, 3/4-16 or Nylok Nut, 3/4-16
T79	Plain Washer, 3/4 in.
T86	Drive Plate Assembly
T93	Driven Shaft
T96	Hex Head Screw, 5/16-18 x 3/4 in., Grade 5
T97	Lock Washer, 5/16 in.



## Gear Case Assembly

REF. NO.	DESCRIPTION
T2	Serial Plate (CPT-1, CPT-2 Models Only)
T4	Gasket
T6	Gasket
T8	Gasket
T9	Bearing Cover
T10	Bearing Cover
T13	Gear Case Subassembly
T14	Dowel Pin, 3/8 x 1 in.
T17	Breather, 1/2 in.
T18	Magnetic Drain Plug, 1/2 in.
T19	Hex Hd Screw, 3/8-16 x 1-1/4 in. Grade 5
T25	Lock Washer, 3/8 in.
T26	Lock Washer, 7/16 in.
T31	Square Head Pipe Plug, 1/2 in., Steel
T32	Drive Screw, No. 6 x 1/4 in.
T40	Tachometer Gear Housing Assembly

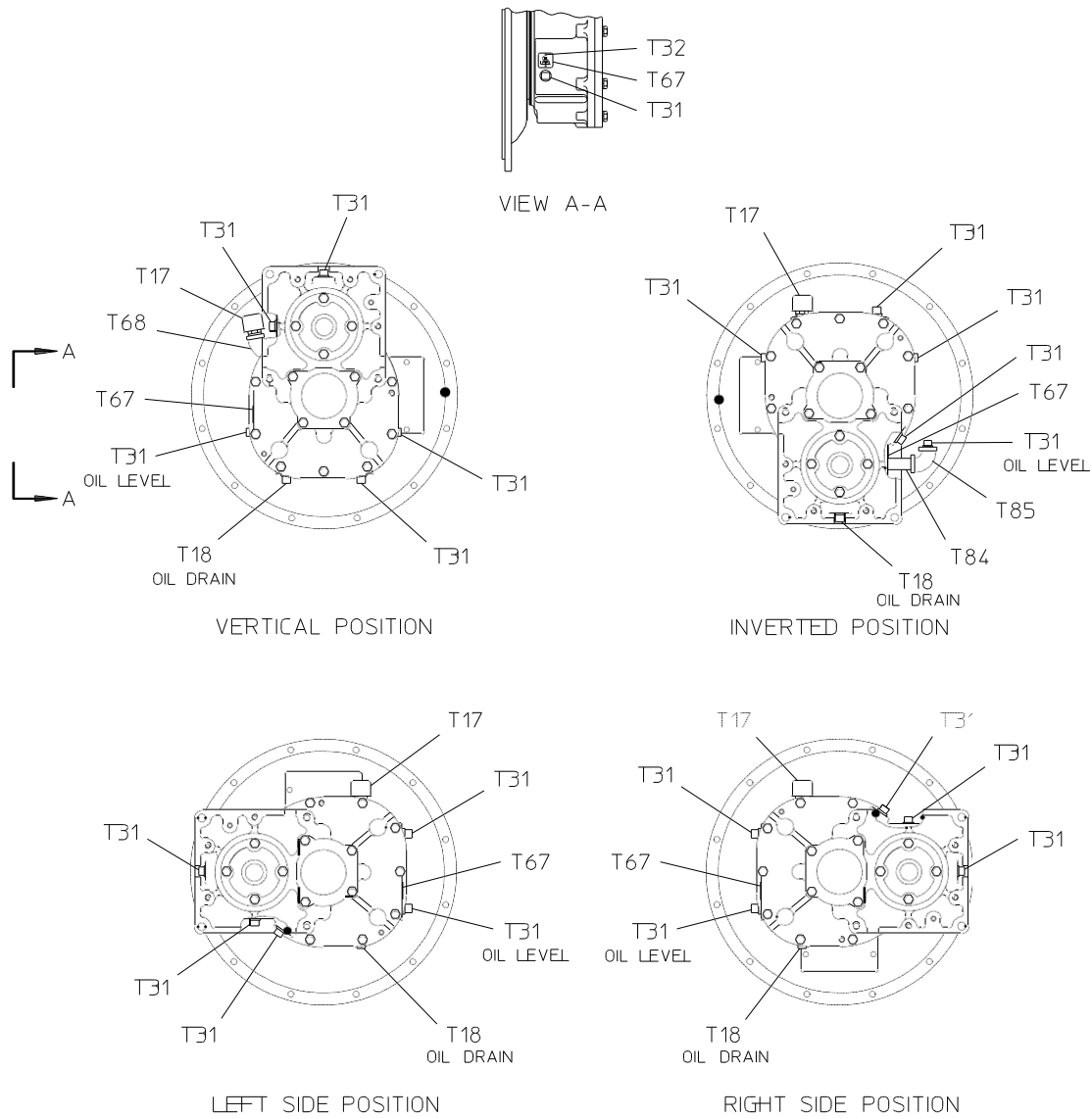
REF. NO.	DESCRIPTION
T42	Tachometer Cap (Used Prior to 2/1/89)
T43	Tachometer Driven Gear
T44	Tachometer Sleeve
T45	Tachometer Bushing
T60	Bellhousing Adapter Bushing
T61	Access Cover
T62	Bellhousing Adapter
T63	Hex Hd Screw, 7/16-14 x 1-1/4 in., Grade 5
T64	Lock Washer, 1/4 in.
T66	Pan Hd Mach Screw, 1/4-20 x 3/8 in.
T67	Oil Level Plate
T68	Street Elbow 45 Degrees, 1/2 in.
T74	Pilot Ring
T83	Socket Hd Cap Screw, 7/16-14 x 3/4 in.
T87	Hex Head Screw, 3/8-16 x 1 in.
T98	Socket Hd Screw, 3/8-16 x 1-1/4 in.



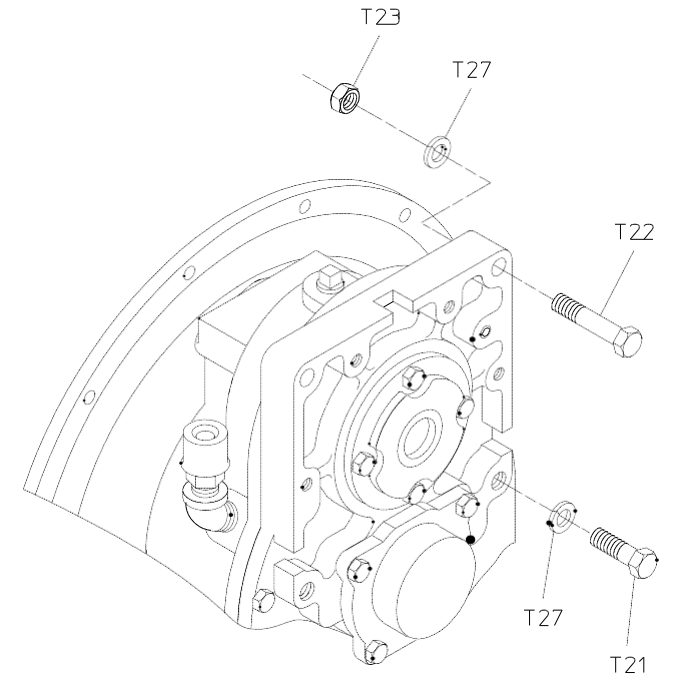
## Transmission Mounting Positions and Pump Mounting Hardware

REF. NO.	DESCRIPTION
T17	Breather, 1/2 in.
T18	Magnetic Drain Plug, 1/2 in.
T21	Hex Head Screw, 1/2-13 x 1-1/2 in., Grade 5
T22	Hex Head Screw, 1/2-20 x 2-3/4 in., Grade 5, Zinc Plated or 1/2-20 x 2-3/4 in., Grade 5
T23	Hex Nut, 1/2-20
T27	Lock Washer, 1/2 in.

REF. NO.	DESCRIPTION
T31	Square Head Pipe Plug, 1/2 in., Steel
T32	Drive Screw, No. 6 x 1/4 in.
T67	Oil Level Plate
T68	Street Elbow 45 Degrees, 1/2 in.
T84	Pipe Nipple, 1/2 x 2-1/2 in.
T85	Pipe Elbow, 90 Degrees x 1/2 in.



**TRANSMISSION MOUNTING POSITIONS**



**PUMP MOUNTING HARDWARE**