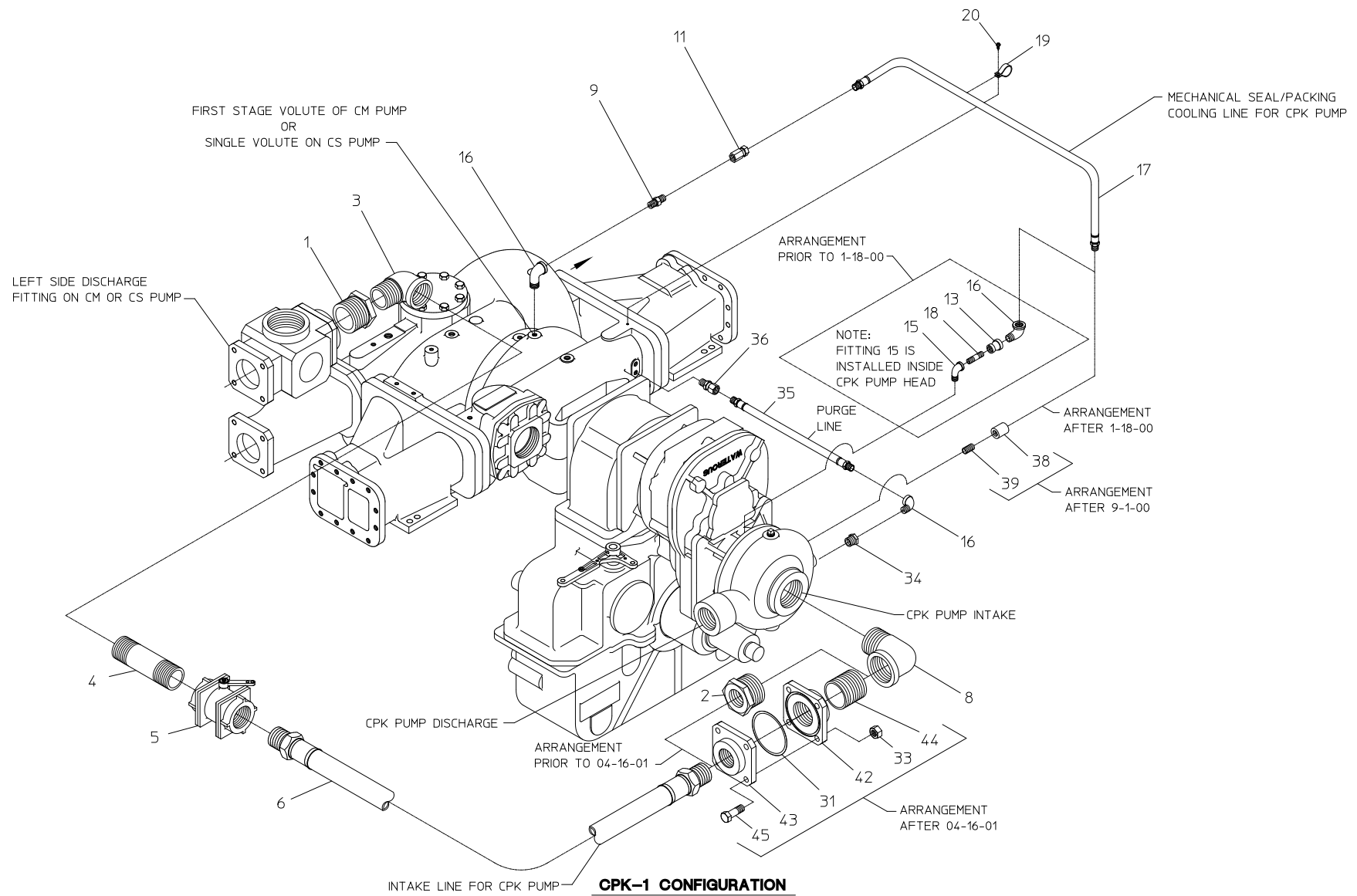
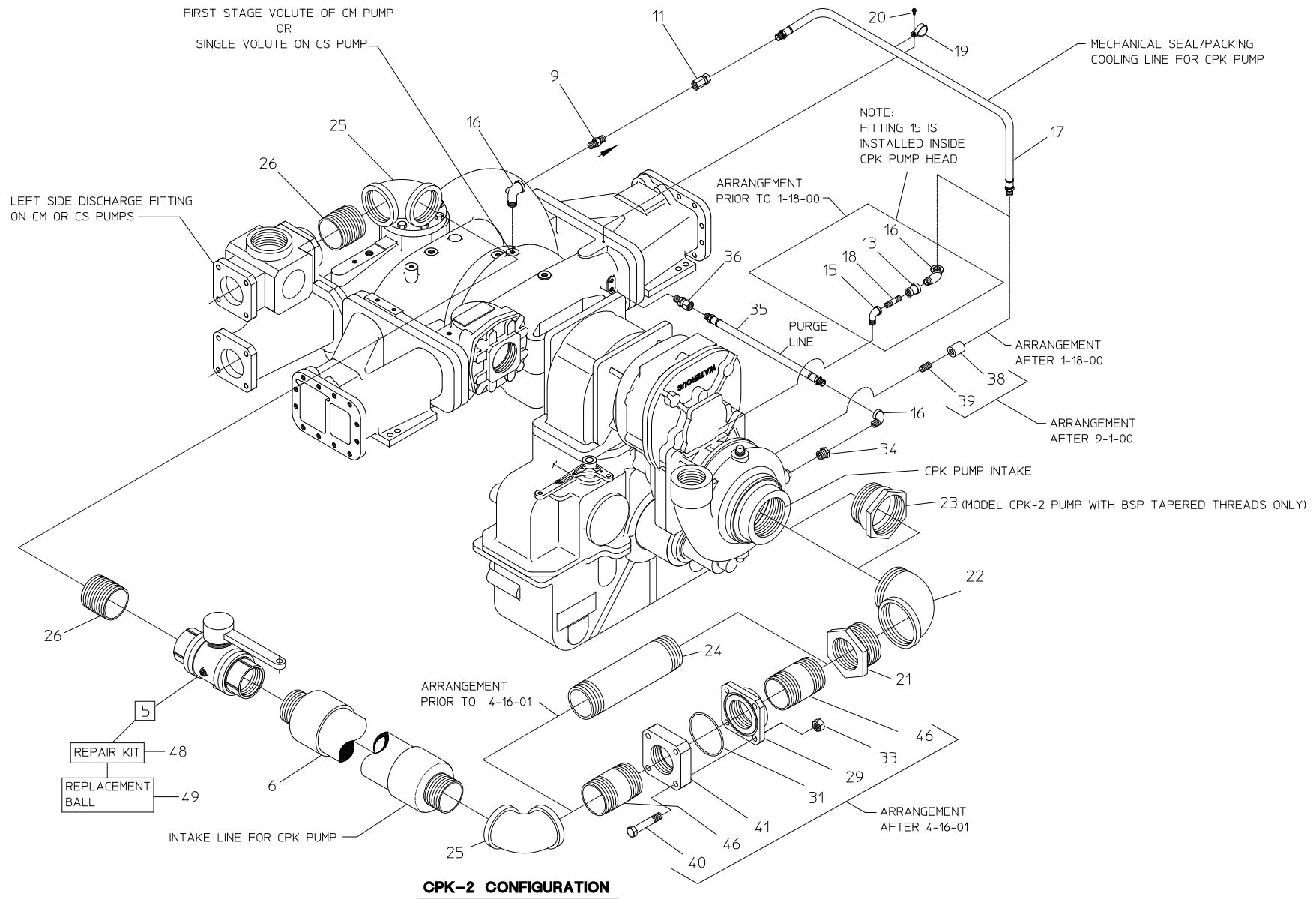


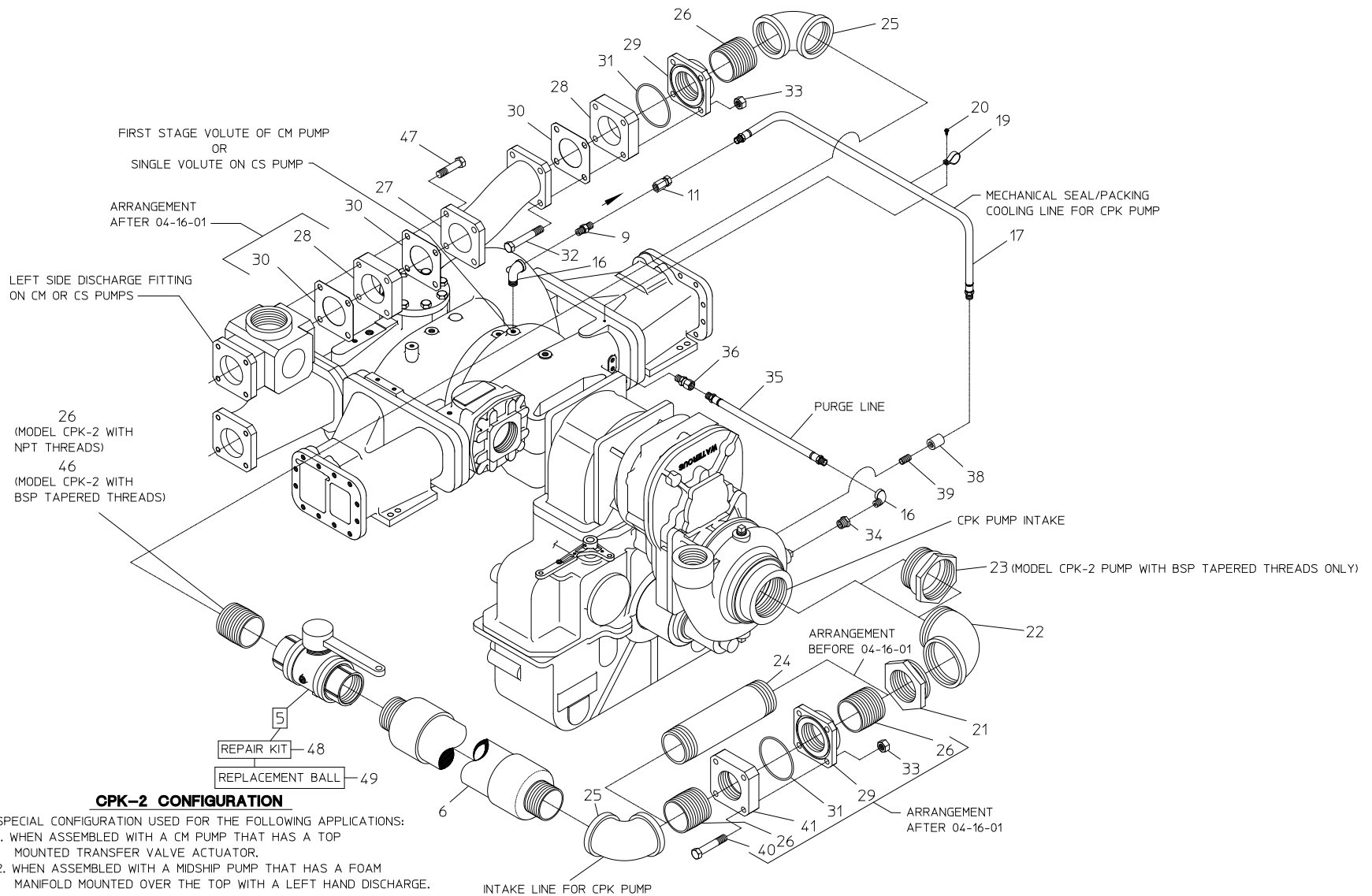
CM or CS to CP Piping, CMY/CPK, CMPA/CPK, CSY/CPK or CSPA/CPK Pumps**Service Parts List**

| REF NO. | DESCRIPTION |
|---------|--|
| 1 | Pipe bushing, reducing, 2-1/2 in. x 1-1/2 in. |
| 2 | Pipe bushing, reducing, 2 in. x 1-1/2 in. |
| 3 | Street elbow, 90° x 1-1/2 in. |
| 4 | Pipe nipple, 1-1/2 in. x 6 in. |
| 5 | Ball valve, 1-1/2 in. (CPK-1 only) |
| 5 | Ball valve, 2-1/2 in. (CPK-2 only) |
| 6 | Hose, 1-1/2 in. x 44 in. (CPK-1 only) |
| 6 | Hose, 2-1/2 in. x 41 in. (CPK-2 only) |
| 8 | Street elbow, 90° x 2 in. |
| 9 | Check valve, 1/4 in. |
| 11 | Swivel adapter, 1/4 in. |
| 13 | Pipe reducer, 1/4 in. x 1/8 in. |
| 15 | Street elbow, 45° x 1/8 in. |
| 16 | Street elbow, 90° x 1/4 in. |
| 17 | Hose, 1/4 in. x 36 in. |
| 18 | Pipe nipple, 1/8 in. x 1-1/2 in. |
| 19 | Tube clamp |
| 20 | Round hd self tapping screw, no. 10-24 x 3/8 in. |
| 21 | Pipe bushing, reducing, 3 in. x 2-1/2 in. |
| 22 | Street elbow, 90° x 3 in. |
| 23 | Bushing adapter, 3 in. NPT female x 3 in. BSP male |
| 24 | Pipe nipple, 2-1/2 in. x 10 in. |
| 25 | Elbow, 2-1/2 in. |
| 26 | Pipe nipple, 2-1/2 in. x 2-1/2 in. |

| REF NO. | DESCRIPTION |
|---------|---|
| 27 | Discharge extension, 8 in. |
| 28 | Spacer, 1-1/8 in. |
| 29 | Tapped flange, 2-1/2 in. NPT |
| 30 | Gasket |
| 31 | O-ring, 3-1/2 in. x 3-3/4 in. |
| 32 | Hex hd screw, 7/16-20 x 2-3/4 in. |
| 33 | Hex nut, 7/16-20 |
| 34 | Pipe bushing, reducing, 3/8 in. x 1/4 in. |
| 35 | Hose, 1/4 in. x 23 in. |
| 36 | Union adapter, straight, 1/4 in. |
| 37 | Hex hd screw, 7/16-14 x 1-1/4 in. |
| 38 | Pipe coupling, 1/4 in. |
| 39 | Pipe nipple, 1/4 x 7/8 in. |
| 40 | Hex hd screw, 7/16-20 x 2-1/4 in. |
| 41 | Tapped flange, 2-2/1 in. NPT |
| 42 | Tapped flange, 2 in. NPT |
| 43 | Tapped flange, 1-1/2 in. NPT |
| 44 | Pipe nipple, 2 in. x 2 in. |
| 45 | Hex hd screw, 7/16-20 x 1-1/2 in. |
| 46 | Pipe nipple, 2-1/2 x 4 in. |
| 47 | Hex hd screw, 7/16-14 x 2-1/4 in. |
| 48 | Ball valve kit |
| 49 | Replacement valve ball |







CPK-2 CONFIGURATION

- SPECIAL CONFIGURATION USED FOR THE FOLLOWING APPLICATIONS:
1. WHEN ASSEMBLED WITH A CM PUMP THAT HAS A TOP MOUNTED TRANSFER VALVE ACTUATOR.
 2. WHEN ASSEMBLED WITH A MIDSHIP PUMP THAT HAS A FOAM MANIFOLD MOUNTED OVER THE TOP WITH A LEFT HAND DISCHARGE.