



Document Number SPL81343	Issue Date 09/83	Rev. Date 10/3/22
------------------------------------	----------------------------	-----------------------------

CM/CGV & CMU/CGV High Rise Pump Impeller Shaft Service Parts List

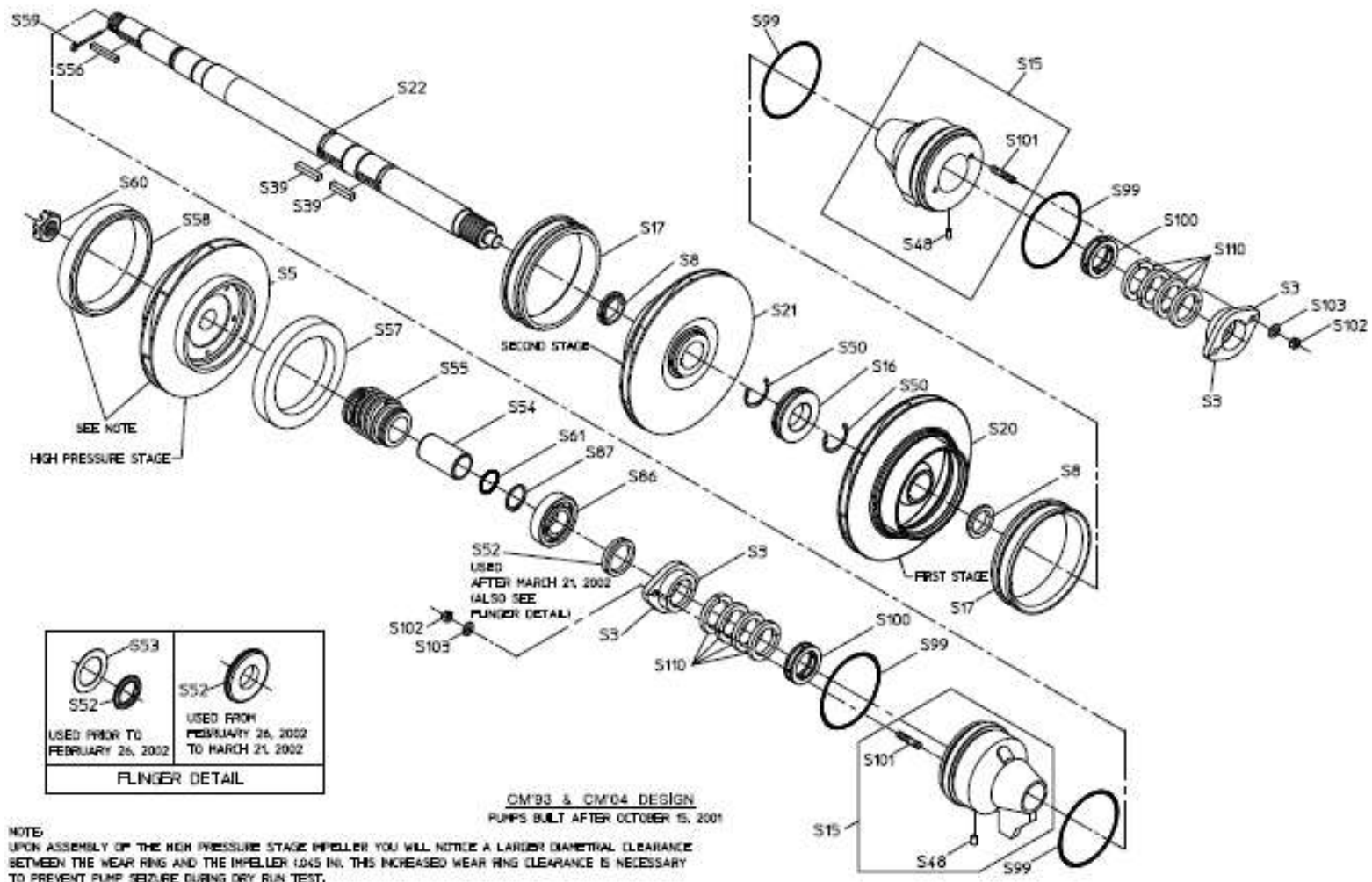
Index:

Pump Built	CM Pump Body Design	See Pages		
		Components	Packing Requirements	Impeller Rotation
After October 15, 2001	CM'93 or CM'04	2, 3	6, 7	8
Prior to October 15, 2001	CM'77	4, 5		

CM'93 & CM'04 Design (Pumps Built After October 15, 2001)

REF NO.	DESCRIPTION
S3	Packing gland half
S5	High pressure stage impeller
S8	Split lock ring
S15	Seal housing assembly
S16	Interstage seal
S17	Wear ring
S20	1 st stage impeller
S21	2 nd stage impeller
S22	Impeller shaft
S39	Square key, SS, 5/16 x 1-3/8 in.
S48	Dowel pin
S50	Retaining ring, SS
S52	Flinger grommet or V-ring
S53	Flinger disk
S54	Mechanical seal sleeve

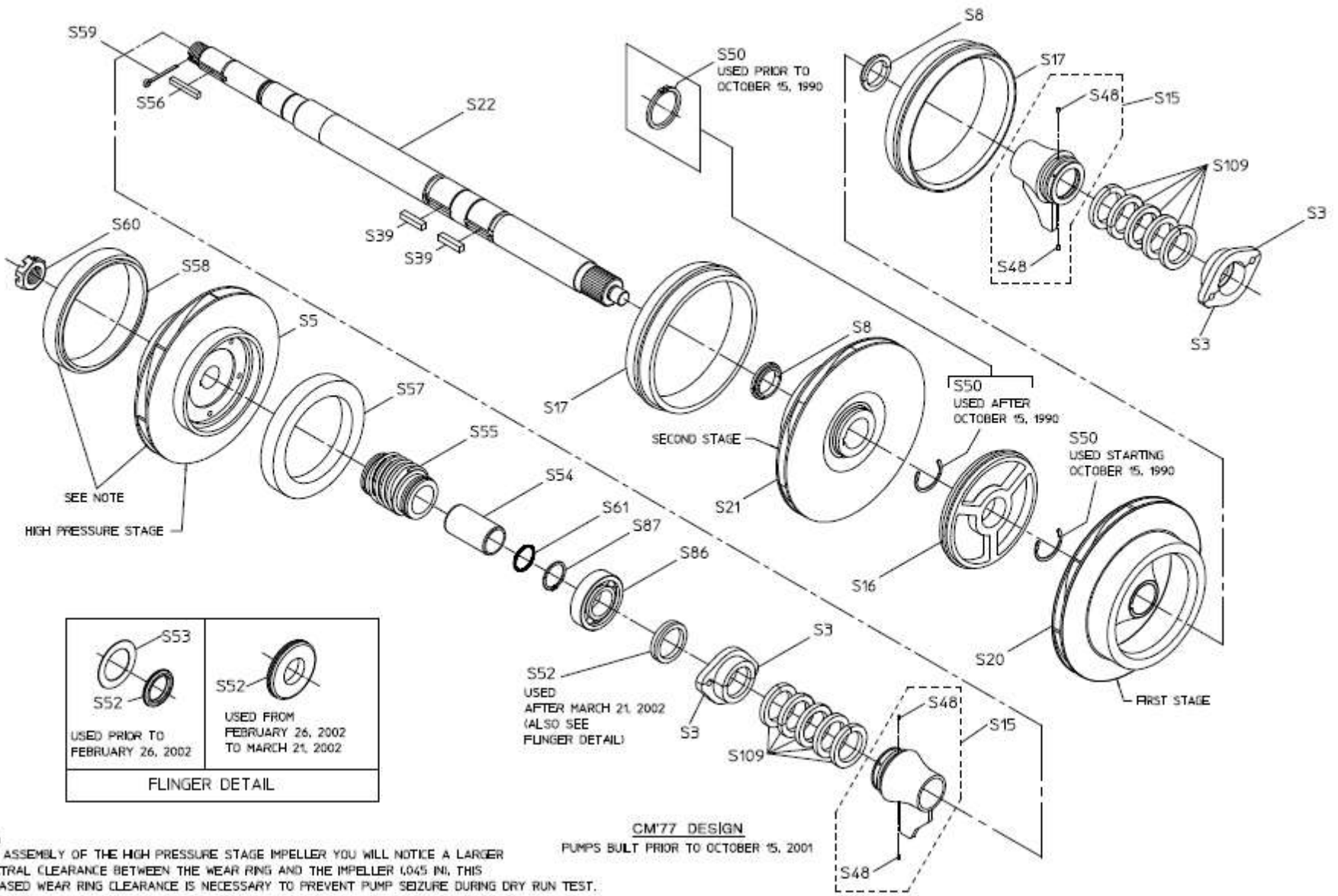
REF NO.	DESCRIPTION
S55	Mechanical seal kit
S56	Square key, SS, 1/4 x 1-3/16 in.
S57	Wear ring
S58	Wear ring
S59	Cotter pin, SS, 1/8 x 1-3/4 in.
S60	Impeller nut, SS, 1-14
S61	O-ring
S86	Ball bearing
S87	Retaining ring
S99	Seal housing gasket
S100	Lantern ring
S101	Stud, 5/16-18 x 1-3/4
S102	Nut, 5/16-18
S103	Washer, 5/16
S110	Packing replacement kit



CM'77 Design (Pumps Built Prior to October 15, 2001)

REF NO.	DESCRIPTION
S3	Packing gland half
S5	High pressure stage impeller
S8	Split lock ring
S15	Stuffing box end assembly
S16	Interstage seal
S17	Wear ring
S20	1 st stage impeller
S21	2 nd stage impeller
S22	Impeller shaft
S39	Square key, SS, 5/16 x 1-3/8 in.
S48	Spirol pin
S50	Retaining ring, SS
S52	Flinger grommet or V-ring

REF NO.	DESCRIPTION
S53	Flinger disk
S54	Mechanical seal sleeve
S55	Mechanical seal kit
S56	Square key, SS, 1/4 x 1-3/16 in.
S57	Wear ring
S58	Wear ring
S59	Cotter pin, SS, 1/8 x 1-3/4 in.
S60	Impeller nut, SS, 1-14
S61	O-ring
S86	Ball bearing
S87	Retaining ring
S109	Packing replacement kit



<p>S53 S52</p> <p>USED PRIOR TO FEBRUARY 26, 2002</p>	<p>S52 S53</p> <p>USED FROM FEBRUARY 26, 2002 TO MARCH 21, 2002</p>
<p>FLINGER DETAIL</p>	

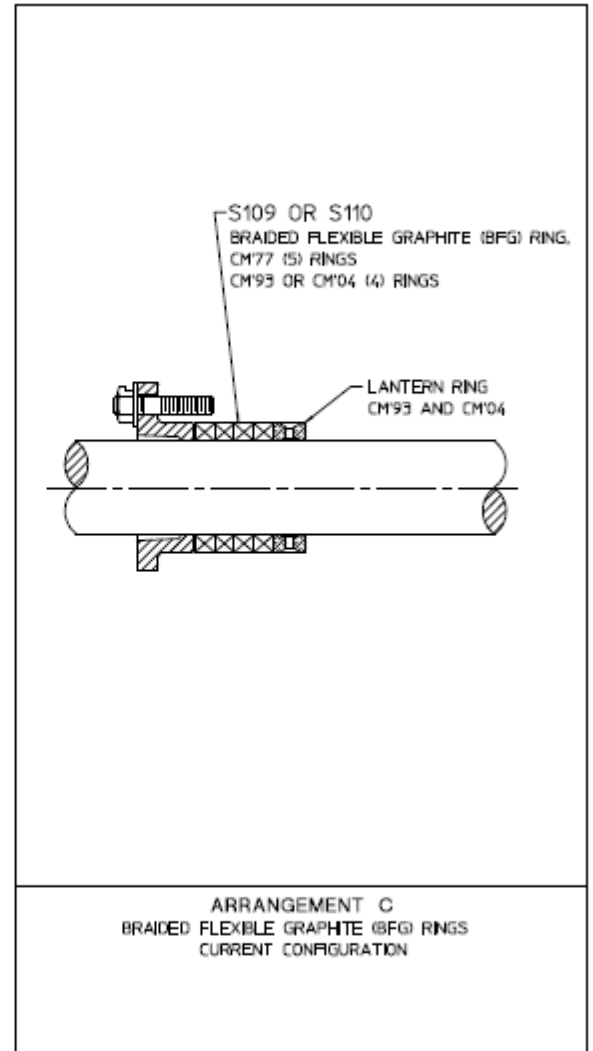
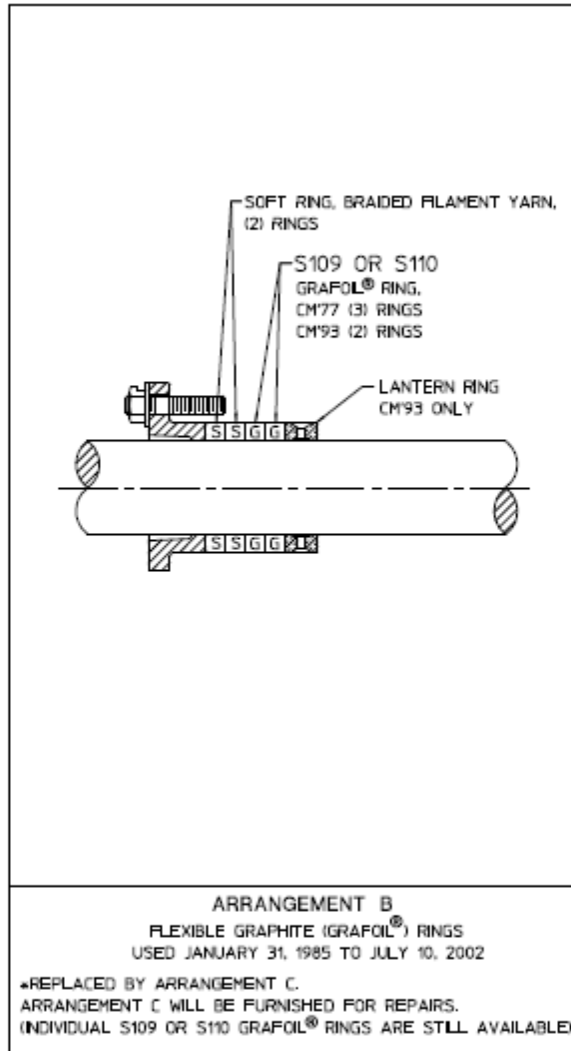
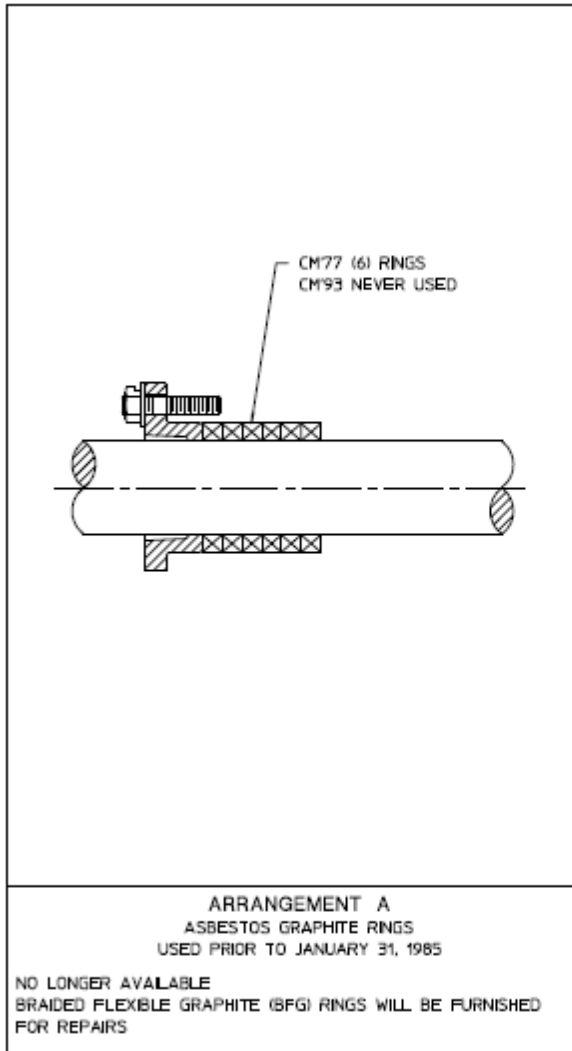
NOTE:
UPON ASSEMBLY OF THE HIGH PRESSURE STAGE IMPELLER YOU WILL NOTICE A LARGER DIAMETRICAL CLEARANCE BETWEEN THE WEAR RING AND THE IMPELLER (.045 IN). THIS INCREASED WEAR RING CLEARANCE IS NECESSARY TO PREVENT PUMP SEIZURE DURING DRY RUN TEST.

CM77 DESIGN
PUMPS BUILT PRIOR TO OCTOBER 15, 2001

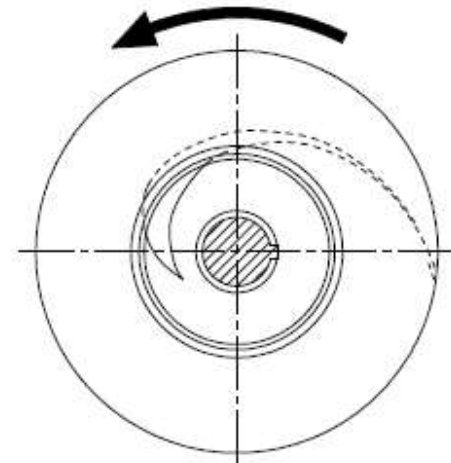
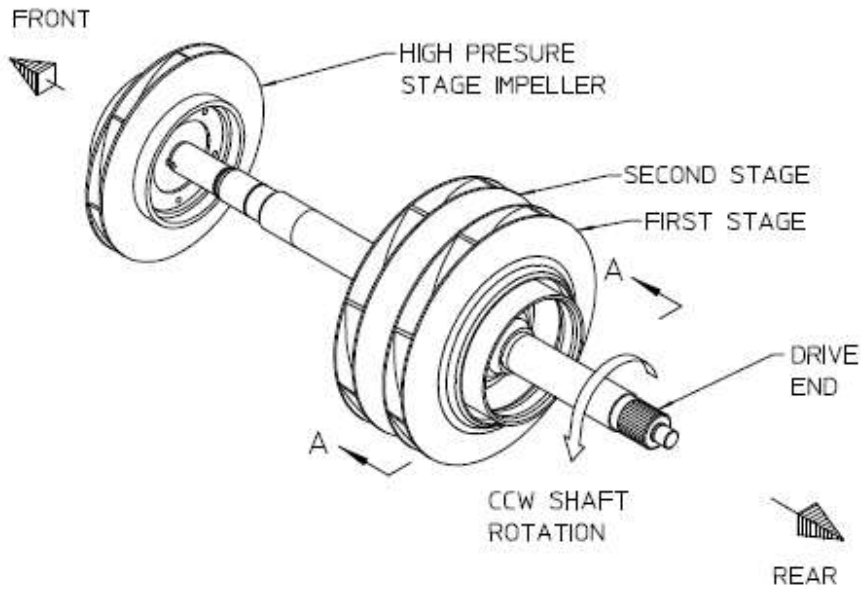
Packing Arrangements

REF NO.	DESCRIPTION
S109	Packing Replacement Kit (CM'93)

REF NO.	DESCRIPTION
S110	Packing Replacement Kit (CM'77)



PACKING ARRANGEMENTS
NOTE: ALWAYS STAGGER JOINTS IN PACKING RINGS



VIEW A-A
LOOKING INTO EYE OF
FIRST STAGE IMPELLER

IMPELLER ROTATIONS