

Issued: 6/86
Revised: 01/15/04

W A T E R O U S

WATEROUS COMPANY
SOUTH ST. PAUL, MINNESOTA

PB11 SERIES PORTABLE PUMPING UNIT

REF NO.	DESCRIPTION	REF NO.	DESCRIPTION
1	Drain cock	34	Hex hd screw, 3/8-16 x 1 in.
2	Serial plate	35	Lock washer, 3/8 in.
3	Round hd drive screw, No. 6 x 1/4 in.	36	Engine adapter (includes 39)
4	Gasket	37	Copper washer, 3/8 in.
5	Clpper valve	38	Socket hd screw, 3/8-16 x 2 in.
6	Discharge elbow, 2-1/2 NPT or 2-1/2 NH	39	Wear ring
7	Lock washer, 5/16 in.	40	Mechanical seal
8	Socket head screw, 5/16-18 x 1 in., SS	41	Impeller
9	O-ring	42	Impeller washer
10	Pressure gage	43	Socket hd screw, 3/8-24 x 1 in., SS
11	Shaft sleeve	44	Volute body subassembly (includes 2, 3 & 39)
12	O-ring	45	Pipe plug, 1/8 in.
13	Primer tube	46	Compression elbow, 90°
14	Connector, compression	47	Ball valve
15	Exhaust primer subassembly	48	Pipe nipple, 1/4 x 1-1/2 in.
20	Hex head screw, 1/4-20 x 3/4 in.	49	O-ring
21	Lock washer, 1/4 in.	50	Socket hd screw, 7/16-14 x 2 in.
25	Lock nut, 1/4-20	51	Lock washer, 7/16 in.
26	Hex head bolt, 1/4-20 x 1-1/4 in.	52	Tapped flange, 3 NPT
27	Exhaust valve	53	11 hp engine replacement (includes 54, 94, 165, 166, 167 & 200)
28	Exhaust primer handle	54	Pump decal
30	Throttle control	56	Ball valve 1-1/2 NPT or 1-1/2 NH
31	Rd hd machine screw, No. 10-24 x 1/2 in. (Before 9/26/94)	57	Hex hd bolt, 5/16-18 x 1-3/4 in.
31	Rd hd machine screw, No. 10-24 x 1 in. (After 9/26/94)	58	Rail base
32	Locknut, No. 10-24	60	Hex nut, 5/16-18
33	Square key, 1/4 x 3/4 in., SS		

PLEASE NOTE

WHEN ORDERING PARTS PLEASE SUPPLY PUMP SERIAL NUMBER

SPL81470

PAGE 1 OF 8

WATEROUS

WATEROUS COMPANY

SOUTH ST. PAUL, MINNESOTA

PB11 SERIES PORTABLE PUMPING UNIT

REF NO.	DESCRIPTION	REF NO.	DESCRIPTION
61	Lock nut, 1/4-20	115	Exhaust gasket (refer to 178 or 198)
62	Rubber foot	119	Instrument panel
63	Round hd machine screw, 1/4-20 x 3/4 in.	122	Wire subassembly, battery to ground, black
64	Handle grip	129	Pressure gauge hose
65	Pick-up handle	130	Alternator wire subassembly
66	Compression spring	135	Switch seal
69	Foot spacer	137	Switch (start)
70	Round hd machine screw, 1/4-20 x 2-1/4 in.	139	Pipe elbow, 45° or 90°, 1/4 NPT
81	Suction adapter, 2-1/2 NH, or 3 NH thread	140	Street elbow, 90°, 1/4 NPT (used prior to 10/25/88)
82	Discharge adapter, 1-1/2 NH to 2-1/2 NH thread	141	Tube connector, 1/4 in. (used prior to 10/25/88)
83	Cap, with chain, 1-1/2, 2-1/2 or 3 NH thread	144	Street elbow, 1/2 in., 90°
84	Control knob	146	Socket hd screw, 10-32 x 1-1/4 in.
85	Cup point set screw, 1/4-20 x 1/4 in., SS	148	Battery holder
86	Hex jam nut, 1/2-13, SS	149	Battery hold down
87	Threaded bushing	151	Curved flange tee nut
88	Adjusting stem	165	Exhaust gasket
89	Sq hd pipe plug, 1/4 in.	166	Hex hd shoulder bolt
91	O-ring	167	Screw lock
92	Roll pin, 3/16 x 1-1/4 in., SS	170	Hex hd screw, 1/4-20 x 1/2 in.
94	Muffler (refer to 178)	171	Button plug
95	Primer adapter	178	Muffler replacement kit (includes 94, 114, 115, 165, 166 and 167)
109	Hex hd screw, 1/4-20 x 1 in.	180	Wire subassembly, battery to solenoid, red
110	Litter base	181	Wire subassembly, solenoid to starter, red
111	End frame	182	Wire subassembly, solenoid to start switch, red
112	Side frame	183	Wire subassembly, start switch to light switch, red
114	Spark arrestor		

PLEASE NOTE

WHEN ORDERING PARTS PLEASE SUPPLY PUMP SERIAL NUMBER

SPL81470

PAGE 2 OF 8

Revised: 01/15/04

W A T E R O U S

WATEROUS COMPANY

SOUTH ST. PAUL, MINNESOTA

PB11 SERIES PORTABLE PUMPING UNIT

REF NO.	DESCRIPTION	REF NO.	DESCRIPTION
184	Wire subassembly, light switch to light, red	197	Male elbow, 90°
185	Wire subassembly, light to ground, black	198	Primer exhaust gasket kit (includes 115)
186	Wire subassembly, start switch to solenoid, red	199	Ball valve adapter
188	Solenoid bracket	200	Warning Label
189	Panel plate	208	Clevis pin, 1/4 x 1-1/4 in. (used prior to 6/14/93) 1/4 x 1 in. (used after 6/14/93)
190	Switch (light)	209	Cotter pin, 5/64 x 1/2 in.
191	Solenoid	210	Flat washer, 1/4 in. (used prior to 6/14/93)
192	Bulb, 12 volt, #68	217	Lock washer, no. 10
193	Panel light		
195	Hex nut, 1/4-20		

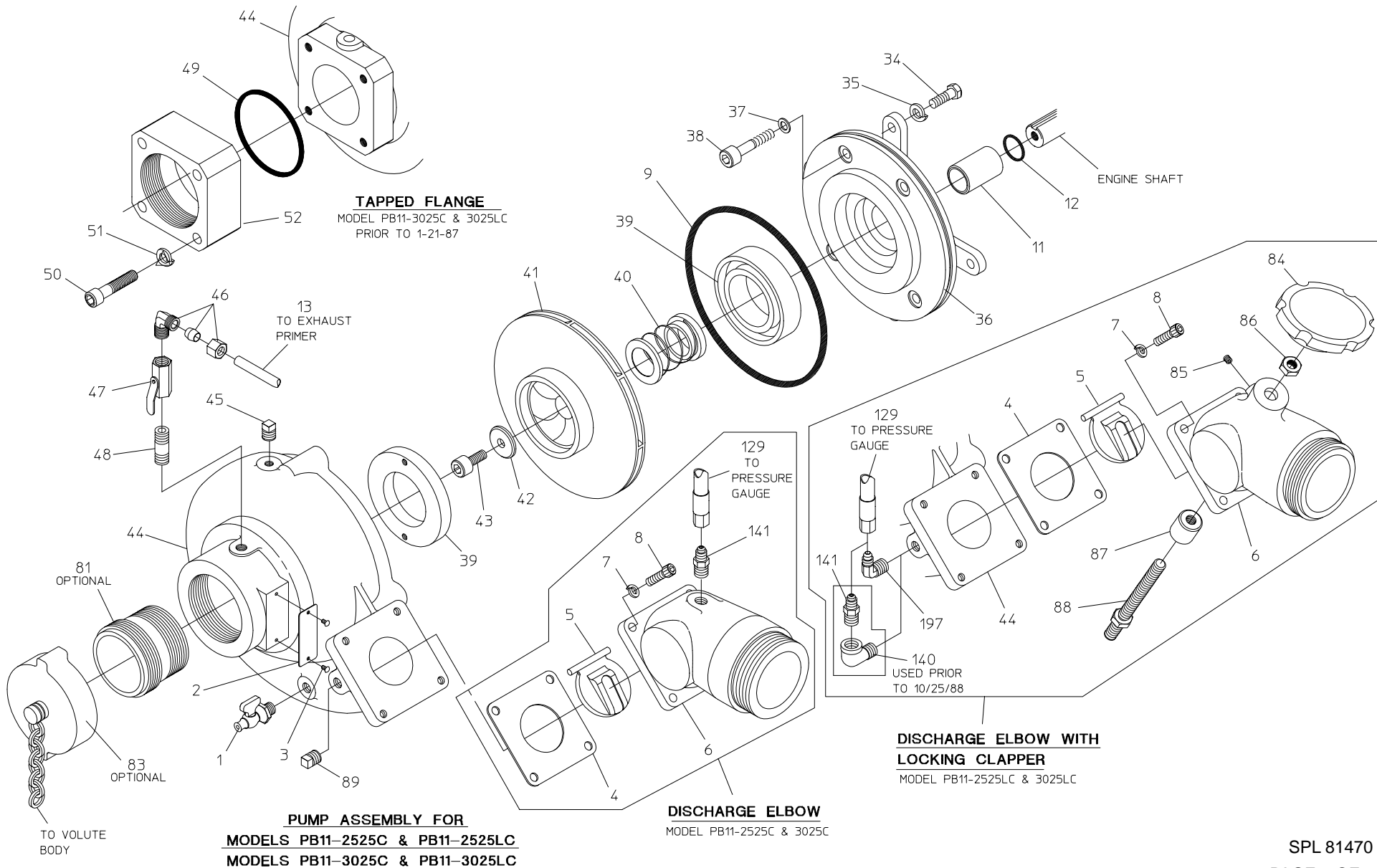
PLEASE NOTE

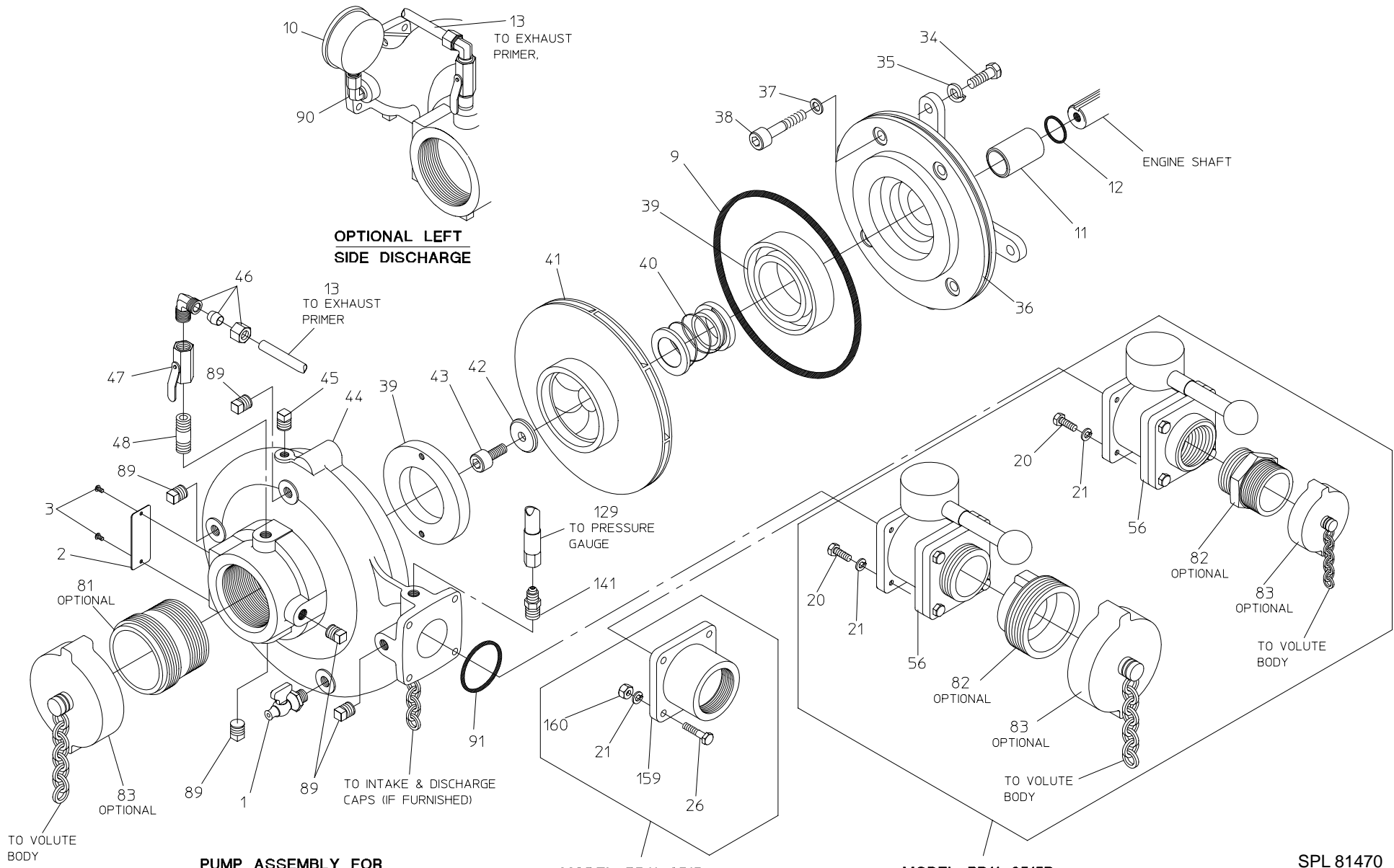
WHEN ORDERING PARTS PLEASE SUPPLY PUMP SERIAL NUMBER

SPL81470

PAGE 3 OF 8

Revised: 01/15/04

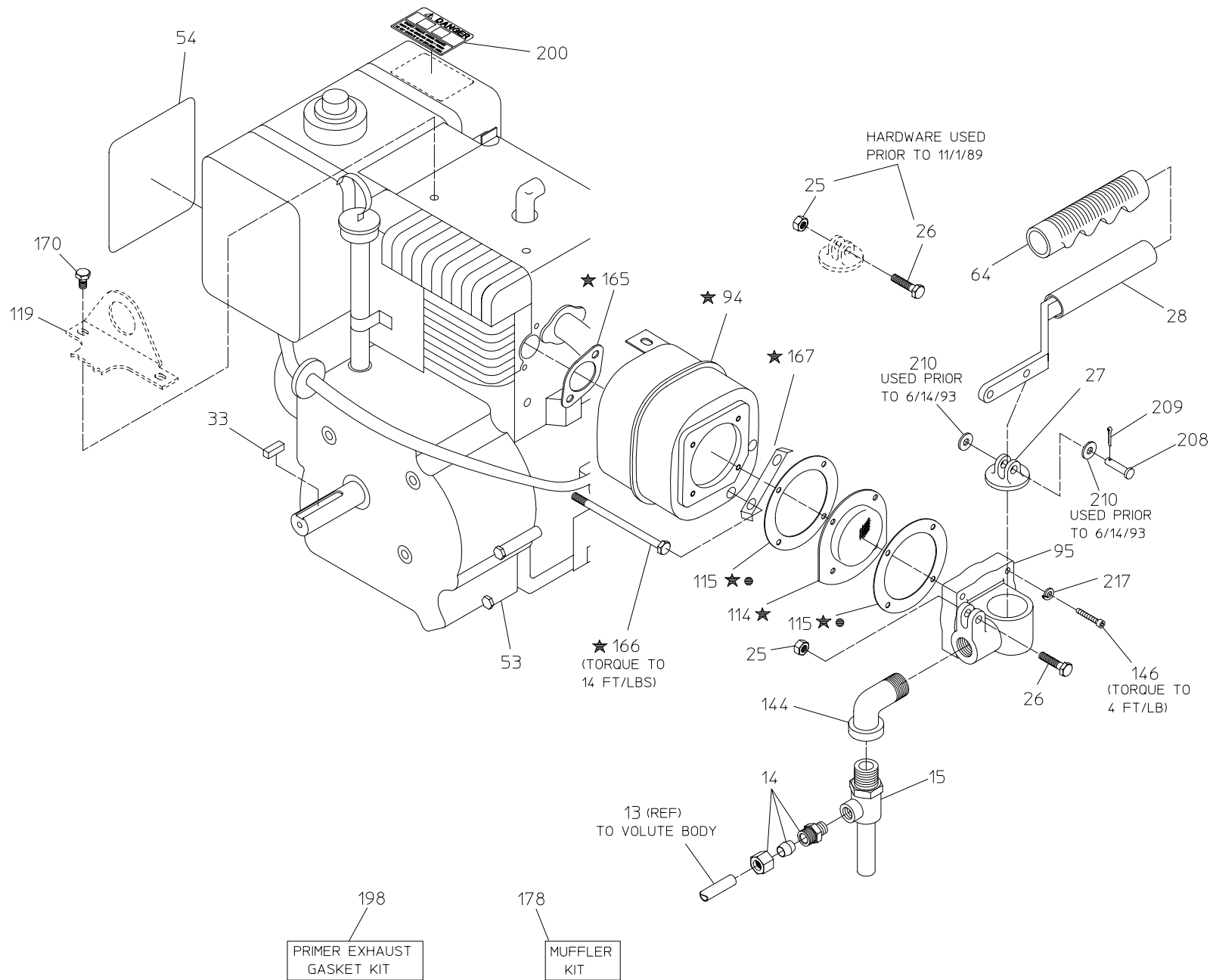




**PUMP ASSEMBLY FOR
MODELS PB11-2515 & PB11-2515B**

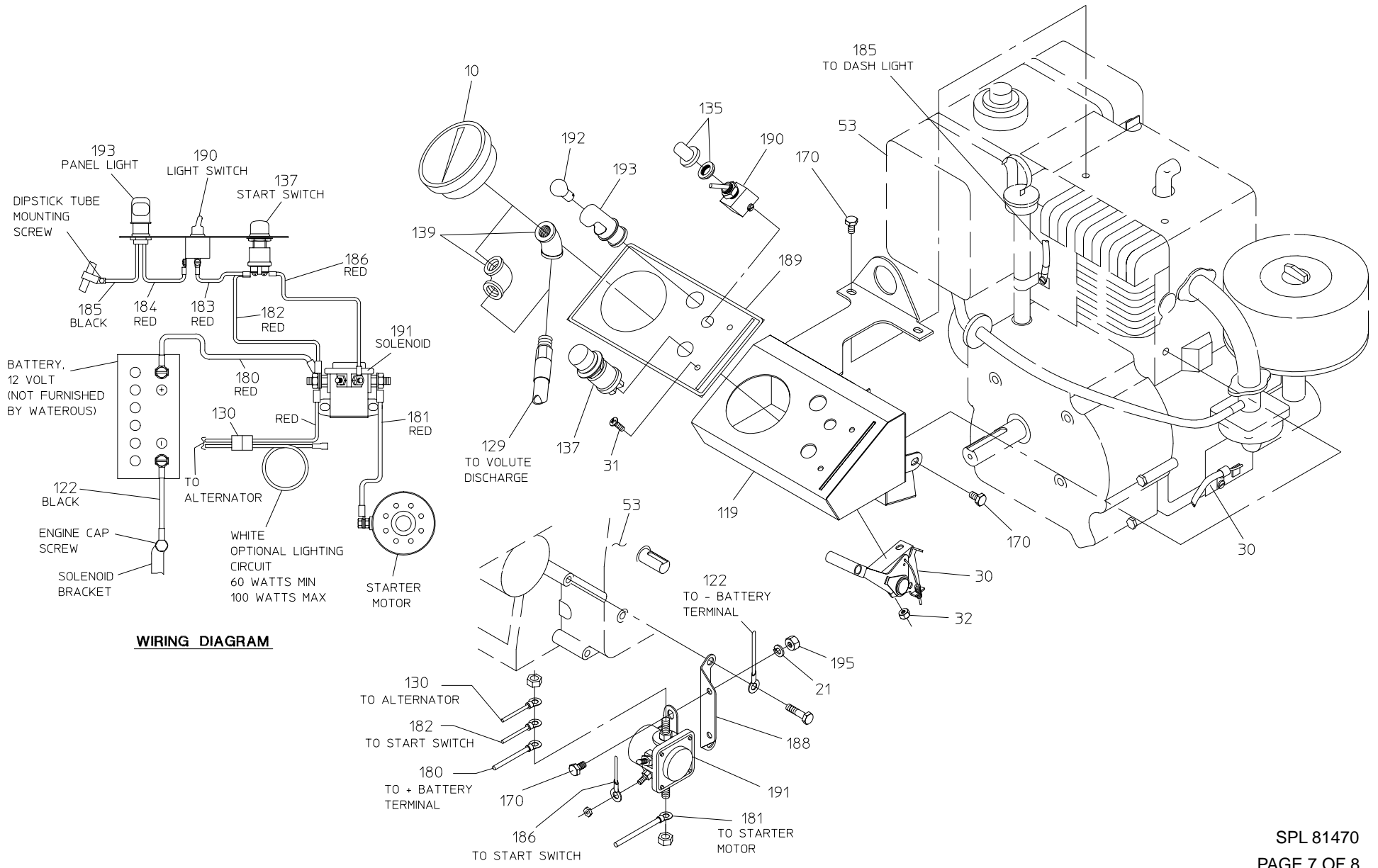
MODEL PB11-2515

MODEL PB11-2515B

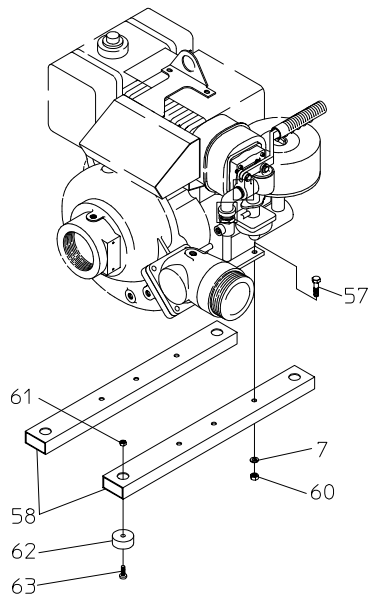


● PART OF PRIMER EXHAUST GASKET KIT 198.

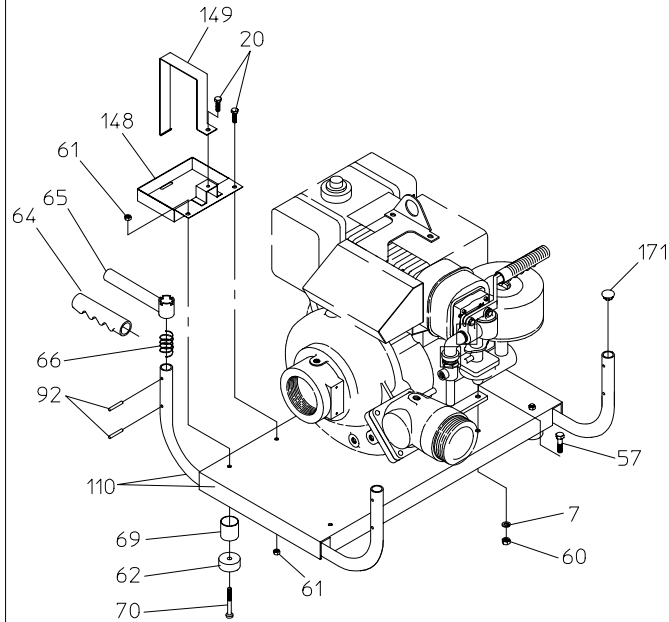
★ PART OF MUFFLER KIT 178.



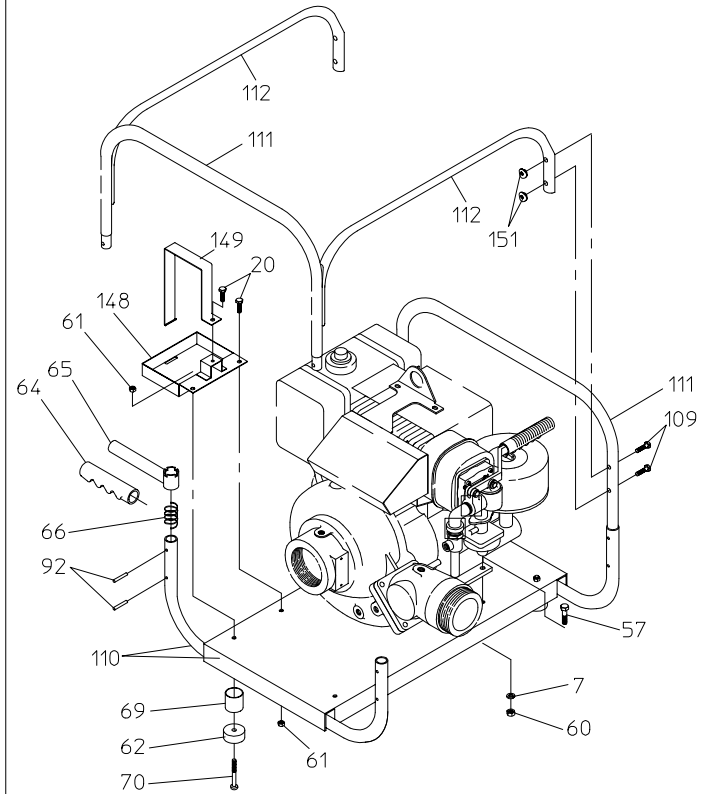
WIRING DIAGRAM



RAIL BASE



LITTER BASE



WRAP-AROUND BASE