

Issued: 06/86
Revised: 01/15/04

W A T E R O U S

WATEROUS COMPANY
SOUTH ST. PAUL, MINNESOTA

PB11G SERIES PORTABLE PUMPING UNIT

| REF NO. | DESCRIPTION | REF NO. | DESCRIPTION |
|---------|---|---------|---|
| 1 | Drain cock | 34 | Hex hd screw, 7/16–20 x 2–3/4 in. |
| 2 | Serial plate | 35 | Lock washer, 7/16 in. |
| 3 | Round hd drive screw, No. 6 x 1/4 in. | 36 | Gear case gasket |
| 4 | Impeller nut, LH | 37 | Flat copper washer, 3/8 in. |
| 5 | Fender washer | 39 | Wear ring |
| 6 | Gear spacer | 40 | Mechanical seal |
| 7 | Lock washer, 5/16 in. | 41 | Impeller |
| 9 | O–ring | 42 | Clamping washer |
| 10 | Pressure gauge | 43 | Hex hd screw, 3/8–24 x 1–1/8 in. |
| 11 | Shaft sleeve | 44 | Volute body subassembly (includes 39) |
| 12 | O–ring | 45 | Gear case cover |
| 13 | Primer tube | 46 | Compression elbow, 90° |
| 14 | Compression connector, 1/4 NPT | 47 | Ball valve, 1/4 in. |
| 15 | Exhaust primer subassembly | 48 | Pipe nipple, 1/4 x 1–1/2 in. |
| 16 | Drive gear | 49 | Magnetic drain plug |
| 19 | Driven gear | 50 | Gear case subassembly (includes 2, 3, 52 & 113) |
| 20 | Hex hd screw, 1/4–20 x 3/4 in. | 51 | Needle bearing, inner race |
| 21 | Lock washer, 1/4 in. | 52 | Needle bearing |
| 25 | Hex lock nut, 1/4–20 | 53 | 11 HP engine replacement (includes 54, 94, 165, 166, 167 & 200) |
| 26 | Hex hd screw, 1/4–20 x 1–1/4 in. | 54 | Pump decal |
| 27 | Exhaust valve | 55 | Breather |
| 28 | Exhaust primer handle | 56 | Ball valve, 1 in. |
| 30 | Throttle control | 57 | Hex hd screw, 5/16–18 x 1–3/4 in. |
| 31 | Round hd machine screw, 10–24 x 1/2 in. | 58 | Rail base |
| 32 | Lock nut, 10–24 | 59 | Hex hd screw, 3/8–16 x 1 in. |
| 33 | Square key, 3/16 x 1 in. SS | | |

PLEASE NOTE

WHEN ORDERING PARTS PLEASE SUPPLY PUMP SERIAL NUMBER

SPL81471

PAGE 1 OF 7

W A T E R O U S

WATEROUS COMPANY

SOUTH ST. PAUL, MINNESOTA

PB11G SERIES PORTABLE PUMPING UNIT

| REF NO. | DESCRIPTION | REF NO. | DESCRIPTION |
|---------|--|---------|---|
| 60 | Hex nut, 5/16–18, SS | 101 | Discharge adapter, 1 in. NH x 1–1/2 in. NH |
| 61 | Lock nut, 1/4–20 | 102 | Cap with chain |
| 62 | Rubber foot | 103 | Discharge adapter, 1 in. NPT x 1 in. NH, or 1 in. NPT x 1–1/2 in. NH |
| 63 | Round hd machine screw, 1/4–20 x 3/4 in. | 104 | Suction adapter, 1–1/2 in. NPT x 1–1/2 in. NH |
| 64 | Handle grip | 106 | Impeller shaft |
| 65 | Pick-up handle | 108 | Hex hd screw, 7/16–20 x 3 in. |
| 66 | Compression spring | 109 | Hex hd screw, 1/4–20 x 1 in. |
| 69 | Foot spacer | 110 | Litter base |
| 70 | Round hd machine screw, 1/4–20 x 2–1/4 in. | 111 | End frame |
| 81 | Hex nut, 7/16–20 | 112 | Side frame |
| 82 | Oil seal | 113 | Oil level plate |
| 83 | Oil seal | 114 | Spark arrestor |
| 84 | Lock washer, 3/8 in. | 115 | Exhaust gasket (refer to 178 or 198) |
| 85 | Snap ring | 119 | Instrument panel |
| 86 | Square key, 1/4 x 1 in. | 122 | Wire subassembly, battery to ground, black |
| 87 | Dowel pin, 1/4 x 3/4 in. | 129 | Pressure gauge hose |
| 88 | Spirol pin, 1/4 x 1–1/2 in. | 130 | Alternator wire subassembly |
| 89 | Pipe nipple, 3/8 x 1–1/2 in. | 135 | Switch seal |
| 90 | Pipe elbow, 90o x 3/8 in. | 137 | Switch (start) |
| 91 | O-ring | 139 | Pipe elbow, 45°, 1/4 in. |
| 92 | Roll pin, 3/16 x 1–1/4 in., SS | 144 | Street elbow, 90°, 1/2 in. |
| 94 | Muffler (refer to 178) | 146 | Socket hd screw, 10–32 x 1–1/4 in. |
| 95 | Primer adapter | 148 | Battery holder |
| 97 | Ball bearing | 149 | Battery hold down |
| 98 | Pipe plug, 1/4 in. | 151 | Curved flange tee nut |
| 99 | Pipe plug, 3/8 in. | | |

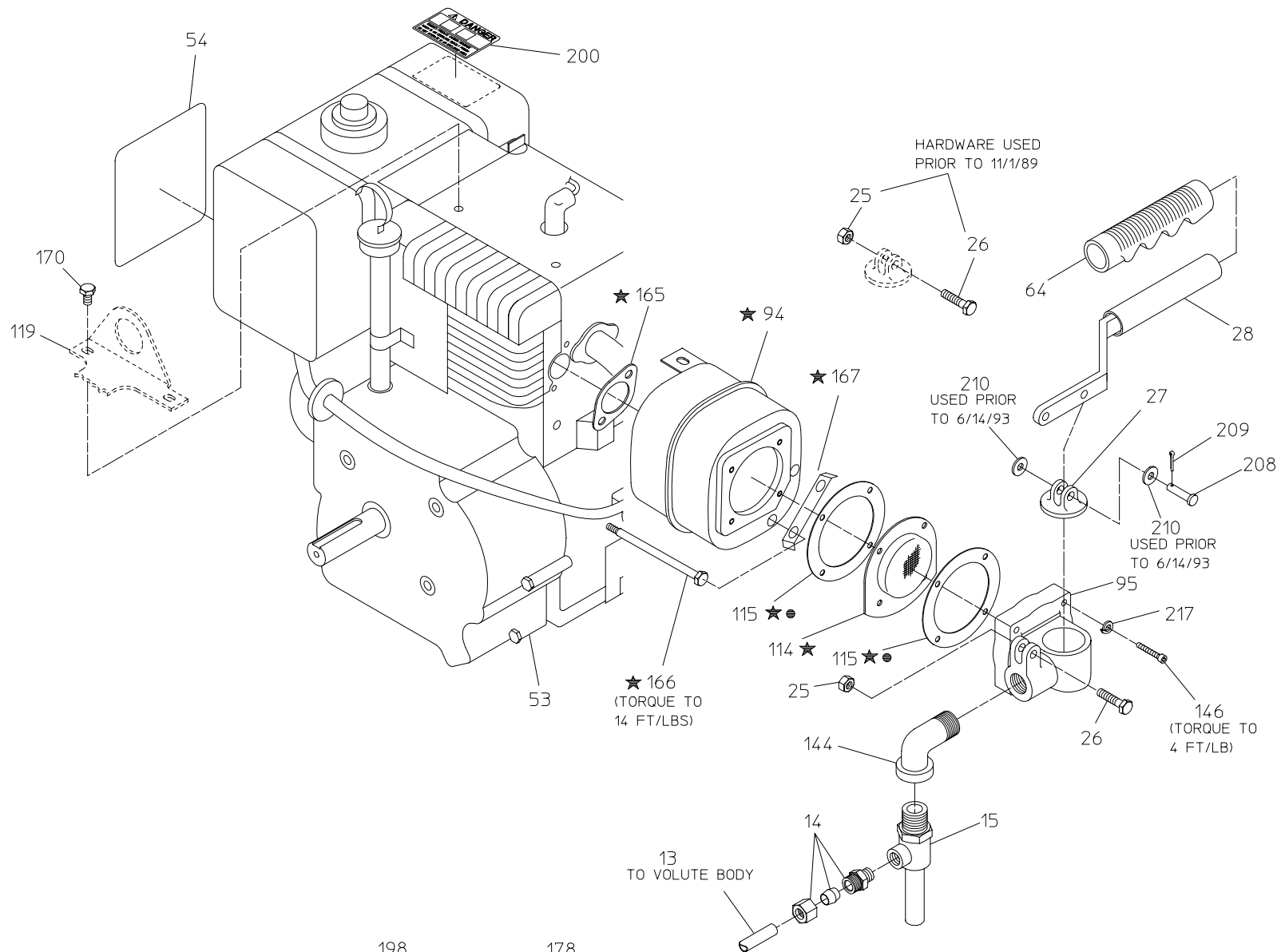
SPL81471

PAGE 2 OF 7

REV: 01/15/04

PB11G SERIES PORTABLE PUMPING UNIT

| REF NO. | DESCRIPTION | REF NO. | DESCRIPTION |
|---------|---|---------|---|
| 159 | Socket hd screw, 3/8-16 x 1-1/2 in. | 188 | Solenoid bracket |
| 165 | Exhaust gasket | 189 | Panel plate |
| 166 | Hex hd shoulder bolt | 190 | Switch (light) |
| 167 | Screw lock | 191 | Solenoid |
| 168 | Outlet adapter | 192 | Bulb, 12 volt, #68 |
| 170 | Hex hd screw 1/4-20 x 1/2 in. | 193 | Panel light |
| 171 | Button plug | 195 | Hex nut, 1/4-20 |
| 178 | Muffler replacement kit (includes 94, 114, 115, 165, 166 & 167) | 196 | Pipe bushing, 1/8 to 1/4 in. (used prior to 10/25/88) |
| 180 | Wire subassembly, battery to solenoid, red | 197 | Male elbow, 90° |
| 181 | Wire subassembly, solenoid to starter, red | 198 | Primer exhaust gasket kit (includes 115) |
| 182 | Wire subassembly, solenoid to start switch, red | 200 | Warning Label |
| 183 | Wire subassembly, start switch to light switch, red | 208 | Clevis pin, 1/4 x 1-1/4 in. (used prior to 6/14/93) 1/4 x 1 in. (used after 6/14/93) |
| 184 | Wire subassembly, light switch to light, red | 209 | Cotter pin, 5/64 x 1/2 in. |
| 185 | Wire subassembly, light to ground, black | 210 | Flat washer, 1/4 in. (used prior to 6/14/93) |
| 186 | Wire subassembly, start switch to solenoid, red | 217 | Lockwasher, No. 10 |

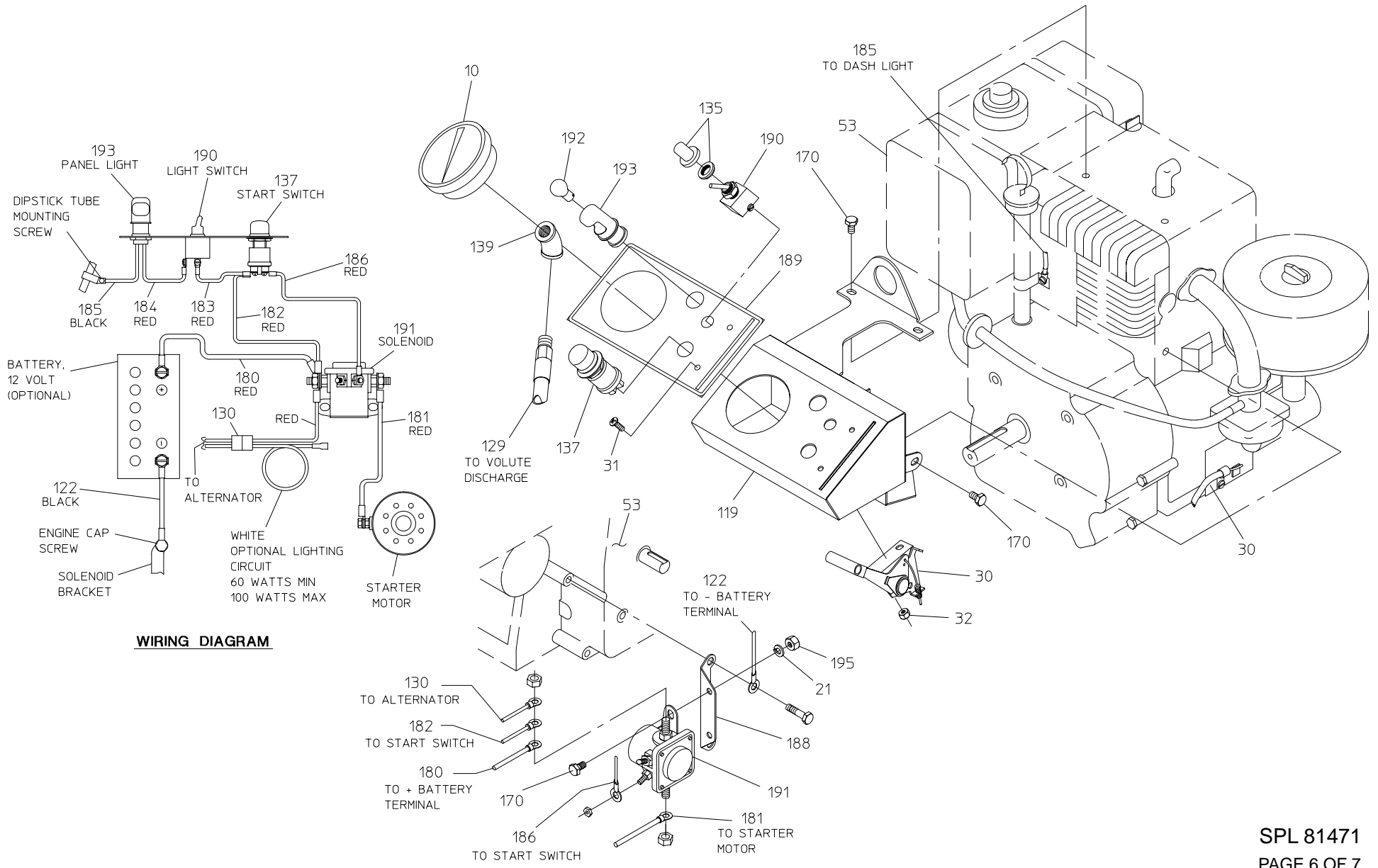


198
PRIMER EXHAUST
GASKET KIT

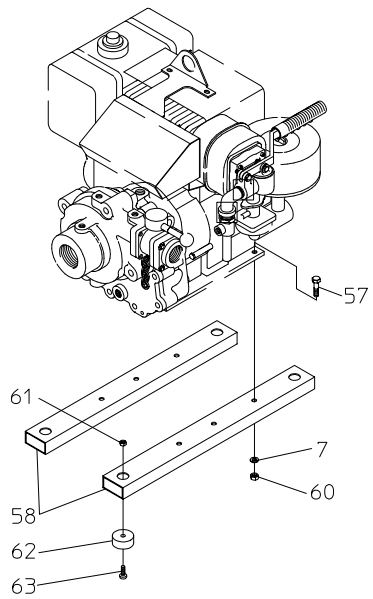
178
MUFFLER
KIT

● PART OF PRIMER EXHAUST
GASKET KIT 198.

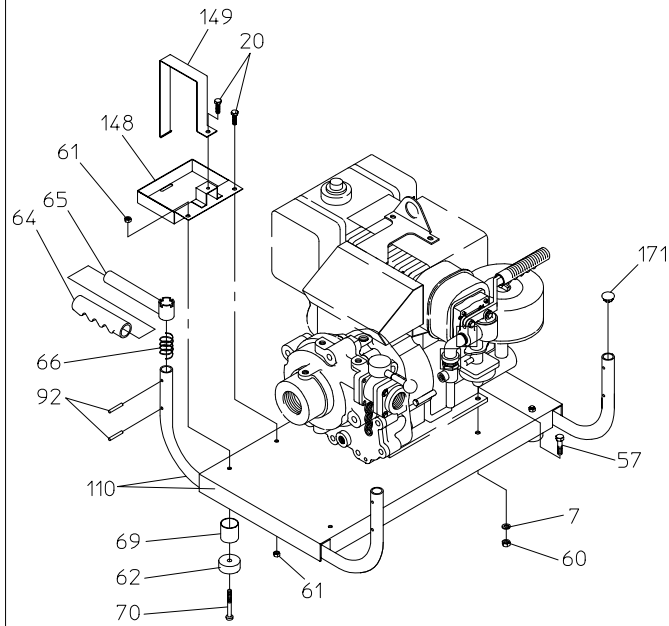
★ PART OF MUFFLER KIT 178.



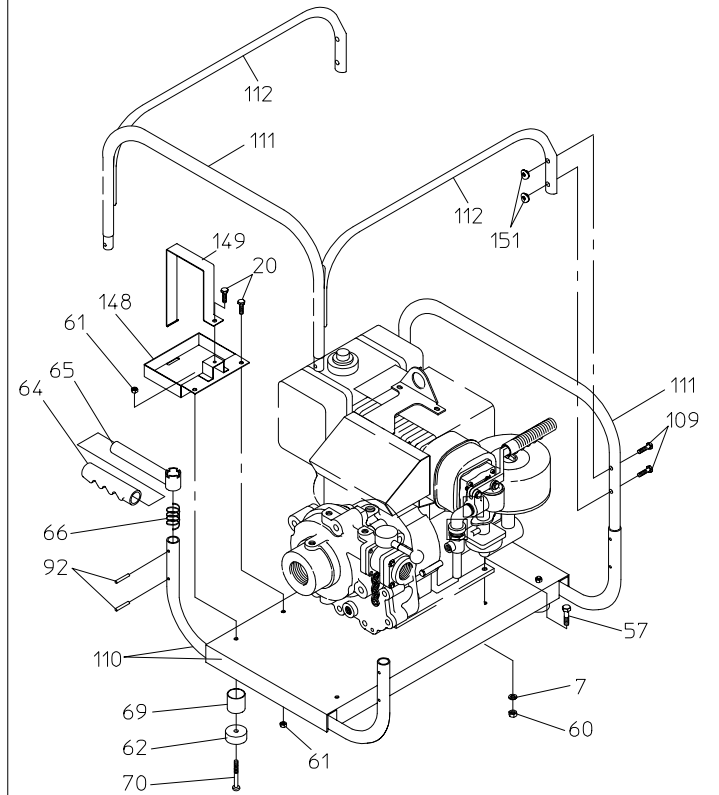
WIRING DIAGRAM



RAIL BASE



LITTER BASE



WRAP-AROUND BASE