

TY Series Chain Drive Transmission Service Parts List

| REF NO. | DESCRIPTION |
|---------|---|
| T1 | Ball bearing, coupling shaft |
| T2 | Bearing spacer, coupling shaft |
| T3 | Ball bearing, drive shaft pilot |
| T4 | Shift collar |
| T5 | Drive sprocket |
| T6 | Needle bearing |
| T7 | Drive shaft spacer |
| T8 | Hex hd screw w/thread sealant, 3/8-16 x 1-1/4 in. |
| T9 | Lock washer, 3/8 in. |
| T10 | Drive gear or pulse generator, tachometer |
| T11 | Drive shaft housing |
| T12 | Cotter pin, SS, 1/8 x 1-3/4 in. |
| T13 | Drive shaft |
| T14 | Sleeve, oil seal |
| T15 | Ball bearing, drive shaft |
| T17 | Gasket, drive shaft housing |
| T18 | Drive chain |
| T19 | Oil seal |
| T22 | Lock washer, 5/16 in. |
| T23 | Oil seal housing |
| T24 | Oil seal housing gasket |
| T25 | Ball bearing, driven shaft |
| T26 | Driven sprocket |

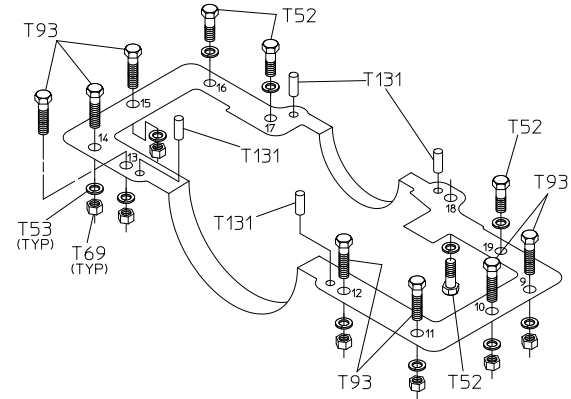
| REF NO. | DESCRIPTION |
|---------|---|
| T27 | Breather |
| T28 | Chain case assembly (supplied as assembly only consisting of midsection and bottom section) |
| T29 | Bearing spacer, driven shaft |
| T30 | Shim, bearing housing, 0.005 (blue) and 0.010 (brown) in. thick |
| T31 | Pump support housing |
| T32 | Bearing lock washer |
| T33 | Bearing lock nut |
| T34 | Pump, oil circulating |
| T37 | Pivot Pin |
| T38 | Locking arm |
| T39 | O-ring |
| T40 | Shifter shoe |
| T41 | Shim, coupling shaft housing, 0.005 (blue), 0.007 (natural), and 0.010 (brown) in. thick |
| T42 | Coupling shaft housing |
| T43 | Shaft nut |
| T44 | Coupling shaft |
| T45 | Oil seal |
| T46 | Shift shaft |
| T47 | Sector gear |
| T48 | Gear sector space |

| REF NO. | DESCRIPTION |
|---------|--|
| T49 | O-ring |
| T50 | Shift shaft bushing |
| T51 | Spirol pin, SS, 5/16 x 1-3/8 in. |
| T52 | Hex hd screw, 1/2-13 x 1-1/4 in. |
| T53 | Lock washer, 1/2 in. |
| T54 | Spirol pin, heavy duty, 3/8 x 1-3/4 in. (prior to 9/25/98 on pneumatic shift, prior to 12/20/02 on manual or electric shift) |
| T55 | Shift cover |
| T56 | Shift cover gasket |
| T57 | Street elbow, 90°, 1/2 in. |
| T58 | Magnetic drain plug, 3/4 in. |
| T59 | Spring housing, shift arm |
| T60 | Spirol pin, SS, 1/4 x 1-1/4 in. |
| T61 | Shift arm spring |
| T62 | Shift arm |
| T64 | Hose, oil pump to spray tube |
| T65 | Chain case cap |
| T66 | Straight adapter union, 1/2 in. |
| T67 | Hose, sump to oil pump |
| T68 | Hex hd screw, 1/2-20 x 2-1/4 or 4-1/4 in. |
| T69 | Hex nut, 1/2-20 |
| T70 | Hex hd screw, 1/2-13 x 1-1/2 or 3-1/2 in. |
| T72 | Hex hd screw, 1/2-13 x 1 in., Grade 5 with thread sealant |

| REF NO. | DESCRIPTION |
|---------|--|
| T73 | Sq hd pipe plug, 3/4 in. |
| T75 | Shifter shoe (included with fork T80) Available individually for repairs |
| T76 | Shifter shoe stud (included with fork T80) Available individually for repairs |
| T80 | Shift fork (supplied with shifter shoes T75 and shifter shoe studs T76) |
| T83 | Pin set, connecting (chain repairs) |
| T86 | Adjusting screw |
| T87 | Adjusting screw retainer |
| T88 | Driven gear bushing, tachometer |
| T89 | Driven gear, tachometer |
| T90 | Driven gear sleeve, tachometer |
| T93 | Hex hd screw, 1/2-20 x 1-3/4 in. |
| T94 | Washer, plain, 1-1/4 in. |
| T95 | Bearing spacer, driven shaft |
| T96 | Gasket, oil pump |
| T97 | Hex hd screw, 5/16-18 x 3-1/4 in. |
| T98 | Sq hd pipe plug, 1/2 in. |
| T99 | Spacer, cap |
| T100 | Spacer, cap (YC only) |
| T101 | Nipple, pipe, 1/2 x 2-1/2 in. |
| T102 | Tee, pipe, 1/2 in. |

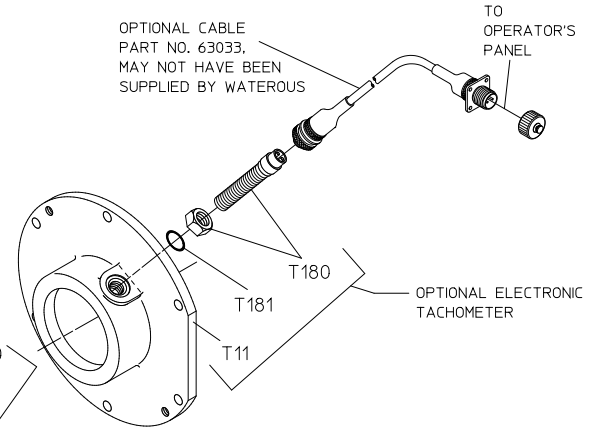
| REF NO. | DESCRIPTION |
|---------|---|
| T103 | Pin, dowel, 1/2 x 1-1/2 in. (YB) or 3 in. (YC) |
| T104 | Spacer, tachometer gear |
| T105 | Ring, retaining |
| T108 | Spirol pin, heavy duty, SS, 1/16 x 1/4 in. (chain repairs) |
| T109 | Stud, 1/2-13 x 1/2-20 (YC only), 4-1/4 |
| T110 | Stud, 1/2-20 x 1/2-20 (YC only), 4-3/4 |
| T112 | Lower shift shaft bushing |
| T120 | Shaft, driven |
| T122 | End yoke, w/u-bolts or companion flange |
| T123 | Nut, driven shaft |
| T131 | Pin, dowel, 3/8 x 1 in. (part of T28) |
| T132 | Oil strainer |
| T133 | Hex hd screw, 3/8-16 x 1 in. |
| T134 | Sight plug |
| T136 | Square key, 5/16 x 2-1/8 in. |
| T139 | Serial plate |
| T140 | Rd hd drive screw, No. 6 x 1/4 in. |
| T141 | Gasket and shim kit, consists of: T17, T24, T30, T41, T43, T56, T94, T96 and T123 |

| REF NO. | DESCRIPTION |
|---------|--|
| T171 | Street elbow, 45°, 1/2 in. |
| T173 | Actuating shift lever |
| T180 | Magnetic pickup |
| T181 | O-ring |
| T182 | O-ring |
| T184 | Ball Bearing, double row |
| T185 | SAE Class C hydraulic motor adapter |
| T186 | Hex hd screw, 1/2-13 x 1-1/4 in., Grade 5 (with thread sealant) |
| T187 | Oil seal, 3-1/2 x 4-3/8 in. |
| T190 | Bearing sleeve |
| T230 | Drive shaft spacer |
| T231 | Oil seal, 2-1/2 in. x 3-1/2 in. |
| T237 | Shoulder screw, 3/8 x 1-3/4 in. (after 9/25/98 on pneumatic shift, after 12/20/02 on manual or electric shift) |
| T238 | Lock nut, 5/16-18 in. (after 9/25/98 on pneumatic shift, after 12/20/02 on manual or electric shift) |
| T241 | Hex hd screw with thread sealant, 3/8-16 x 1-1/2 in. |



| FASTENER TYPE AND LENGTH | | | |
|--------------------------|--------------|--------|--------|
| HOLE NO. | TYPE | THREAD | LENGTH |
| 9 TO 15 | HEX HD SCREW | 1/2-20 | 1-3/4 |
| 16 TO 19 | HEX HD SCREW | 1/2-13 | 1-1/4 |

OPTIONAL CABLE
PART NO. 63033,
MAY NOT HAVE BEEN
SUPPLIED BY WATEROUS

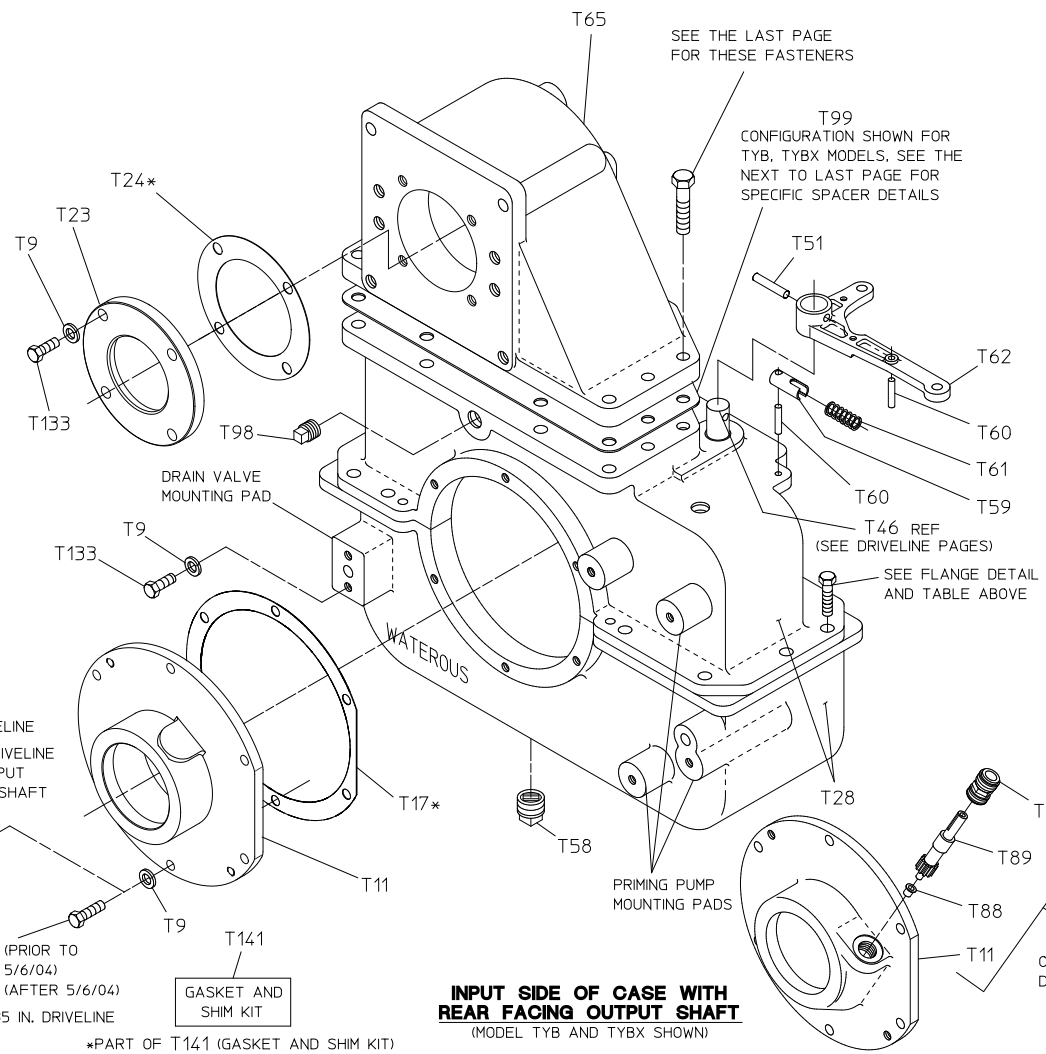


TO OPERATOR'S
PANEL

OPTIONAL MECHANICAL
DRIVE TACHOMETER.

SEE THE LAST PAGE
FOR THESE FASTENERS

T99
CONFIGURATION SHOWN FOR
TYB, TYBX MODELS. SEE THE
NEXT TO LAST PAGE FOR
SPECIFIC SPACER DETAILS



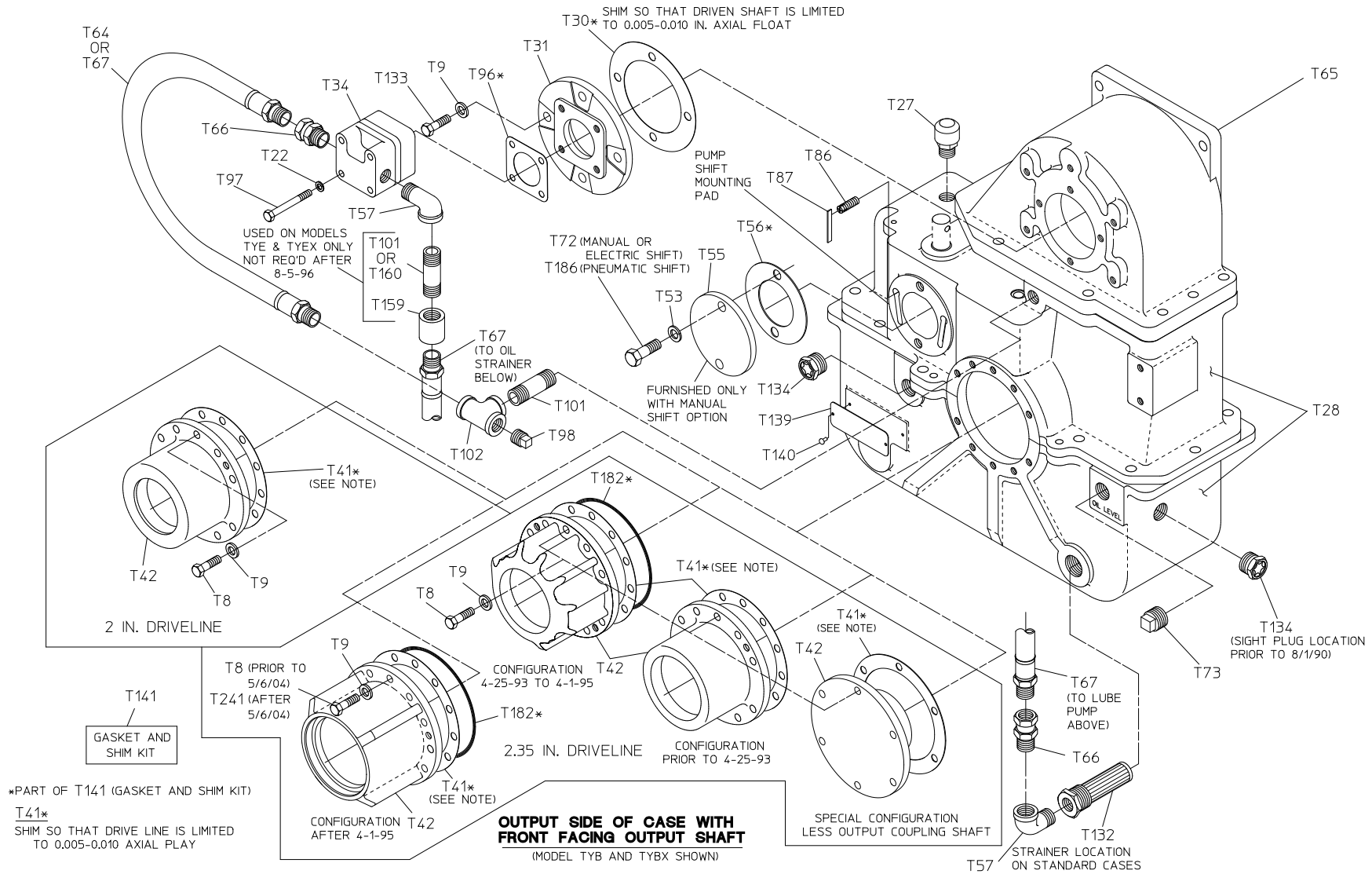
**INPUT SIDE OF CASE WITH
REAR FACING OUTPUT SHAFT**
(MODEL TYB AND TYBX SHOWN)

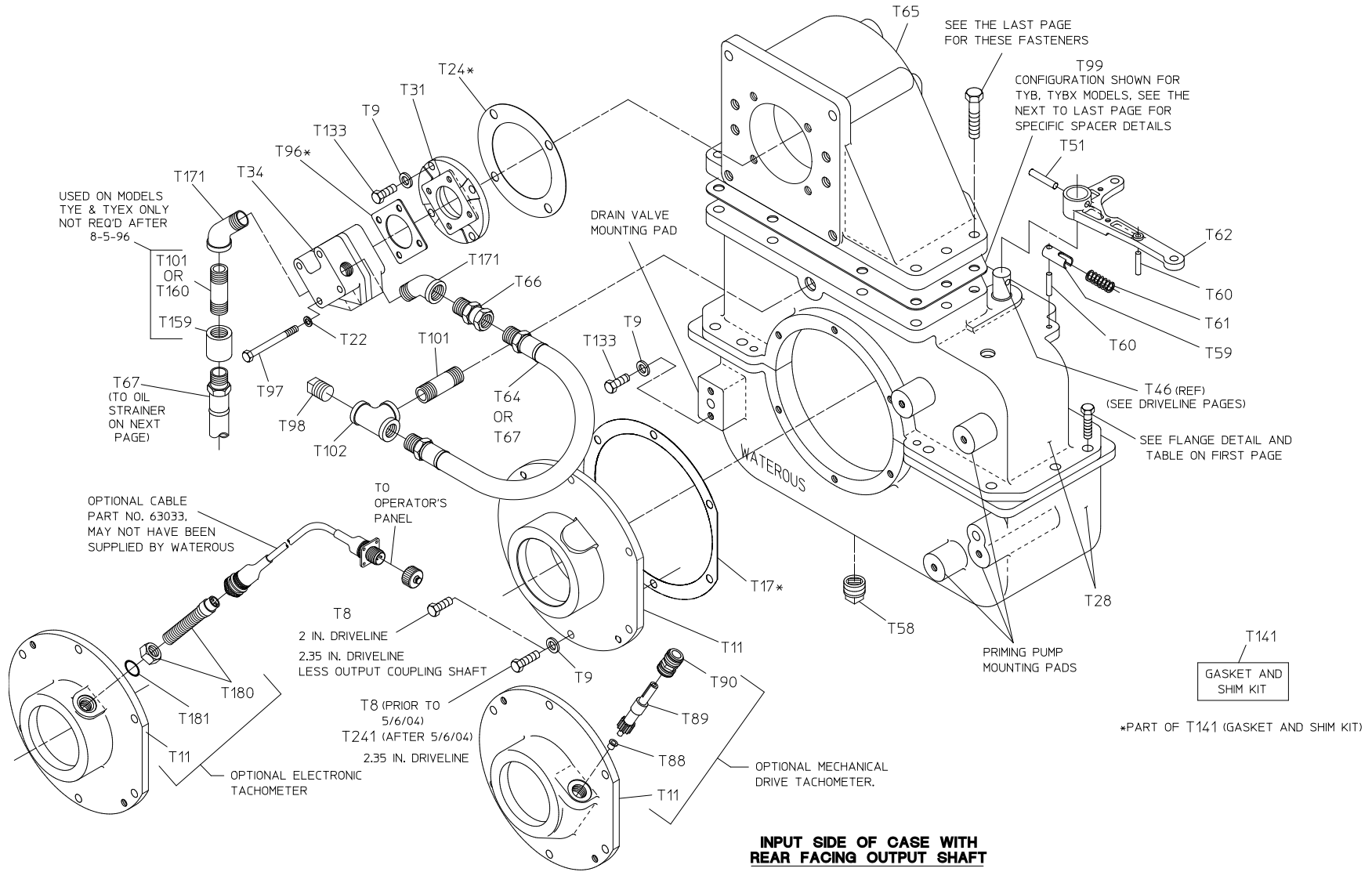
GASKET AND
SHIM KIT

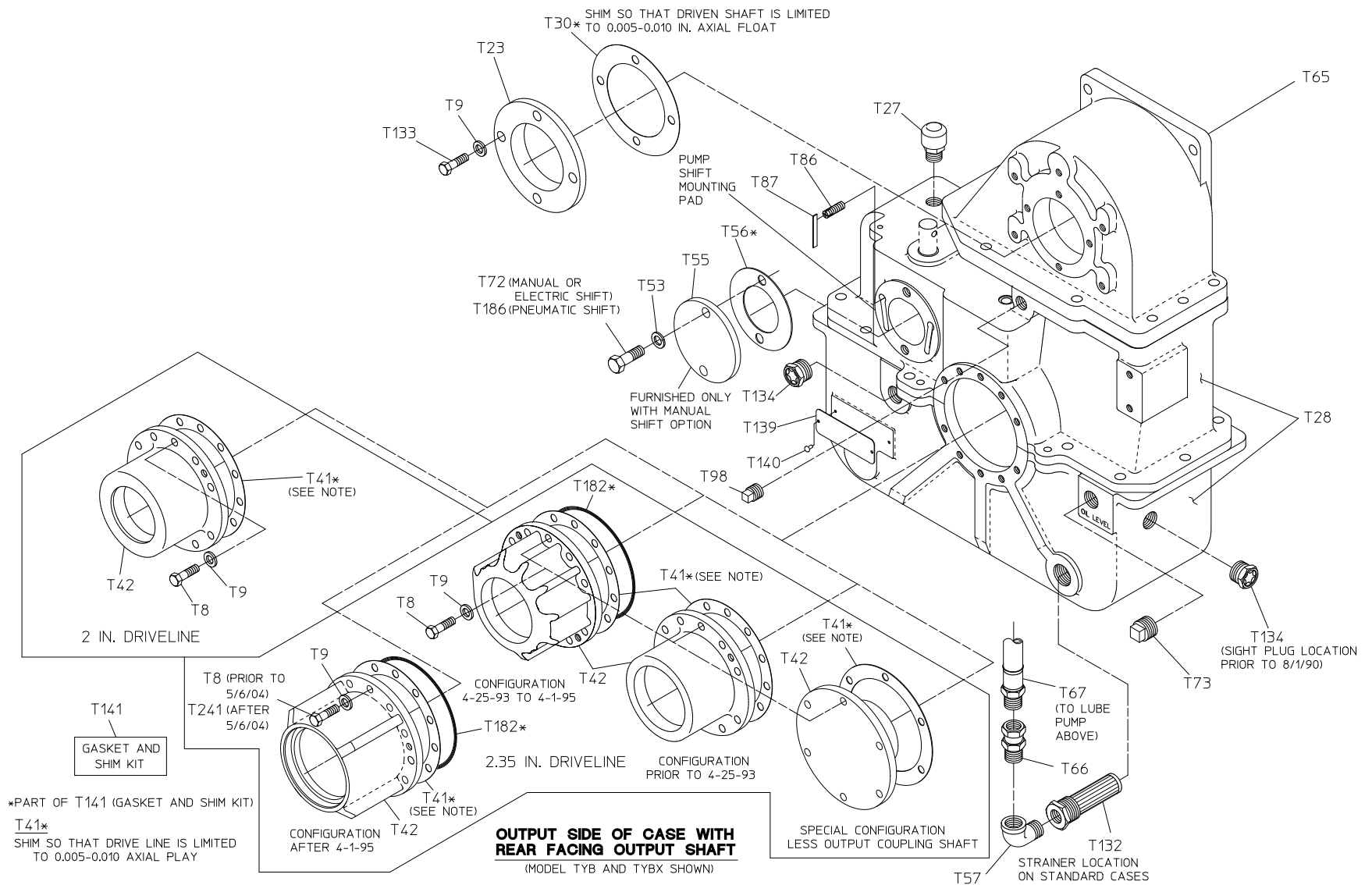
*PART OF T141 (GASKET AND SHIM KIT)

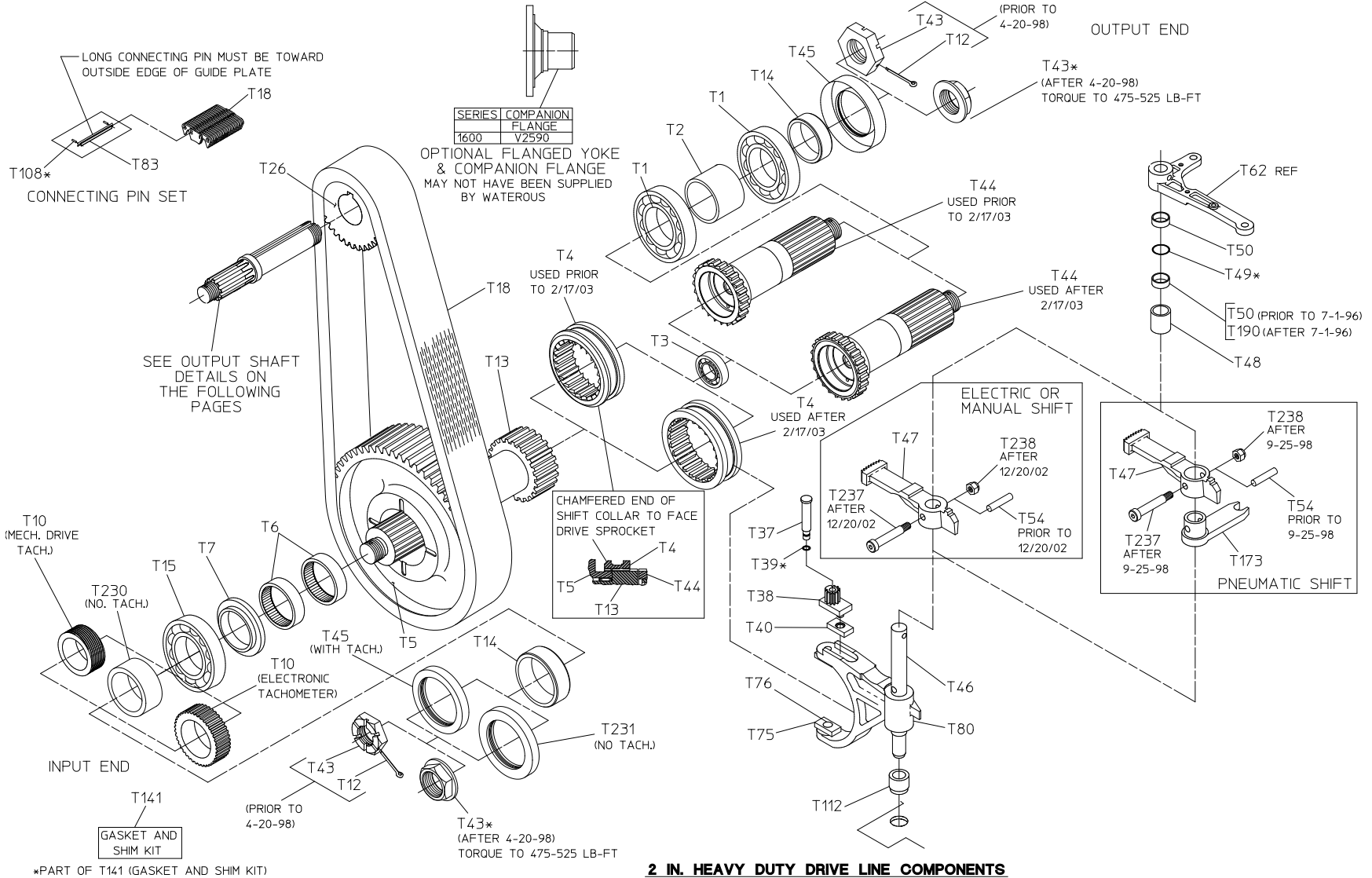
T8
2 IN. DRIVELINE
2.35 IN. DRIVELINE
LESS OUTPUT
COUPLING SHAFT

T8 (PRIOR TO
5/6/04)
T241 (AFTER 5/6/04)
2.35 IN. DRIVELINE

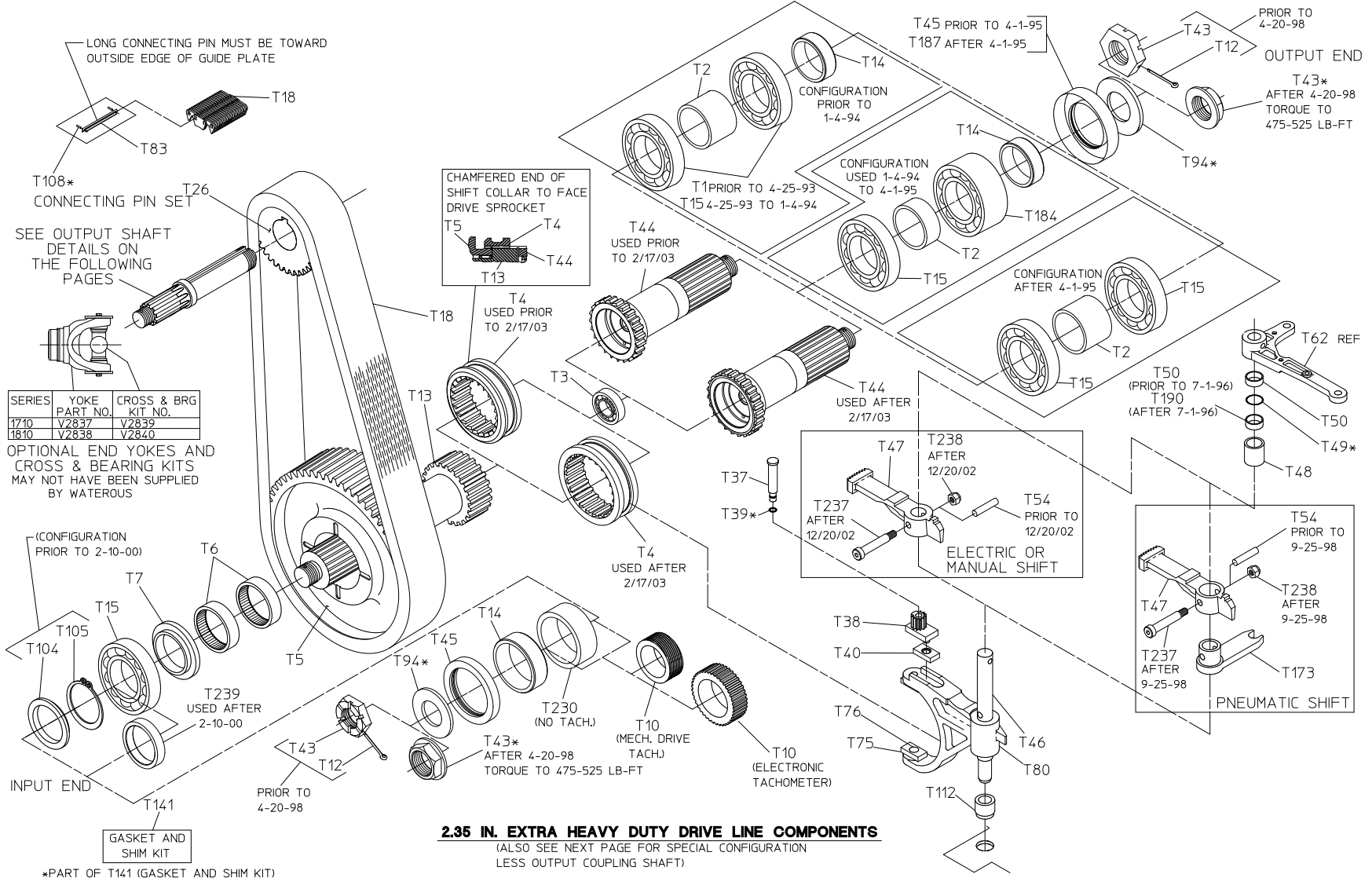


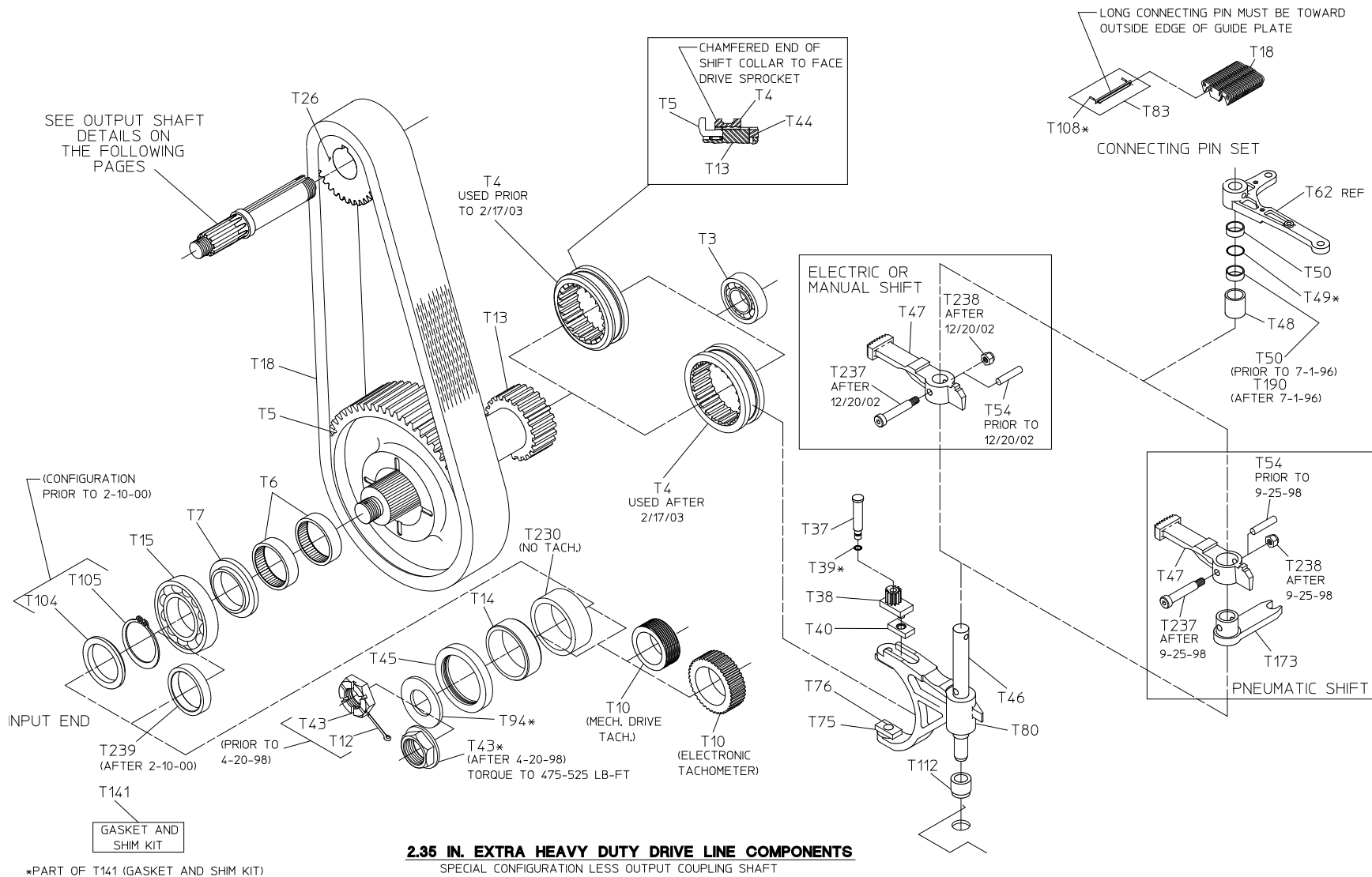


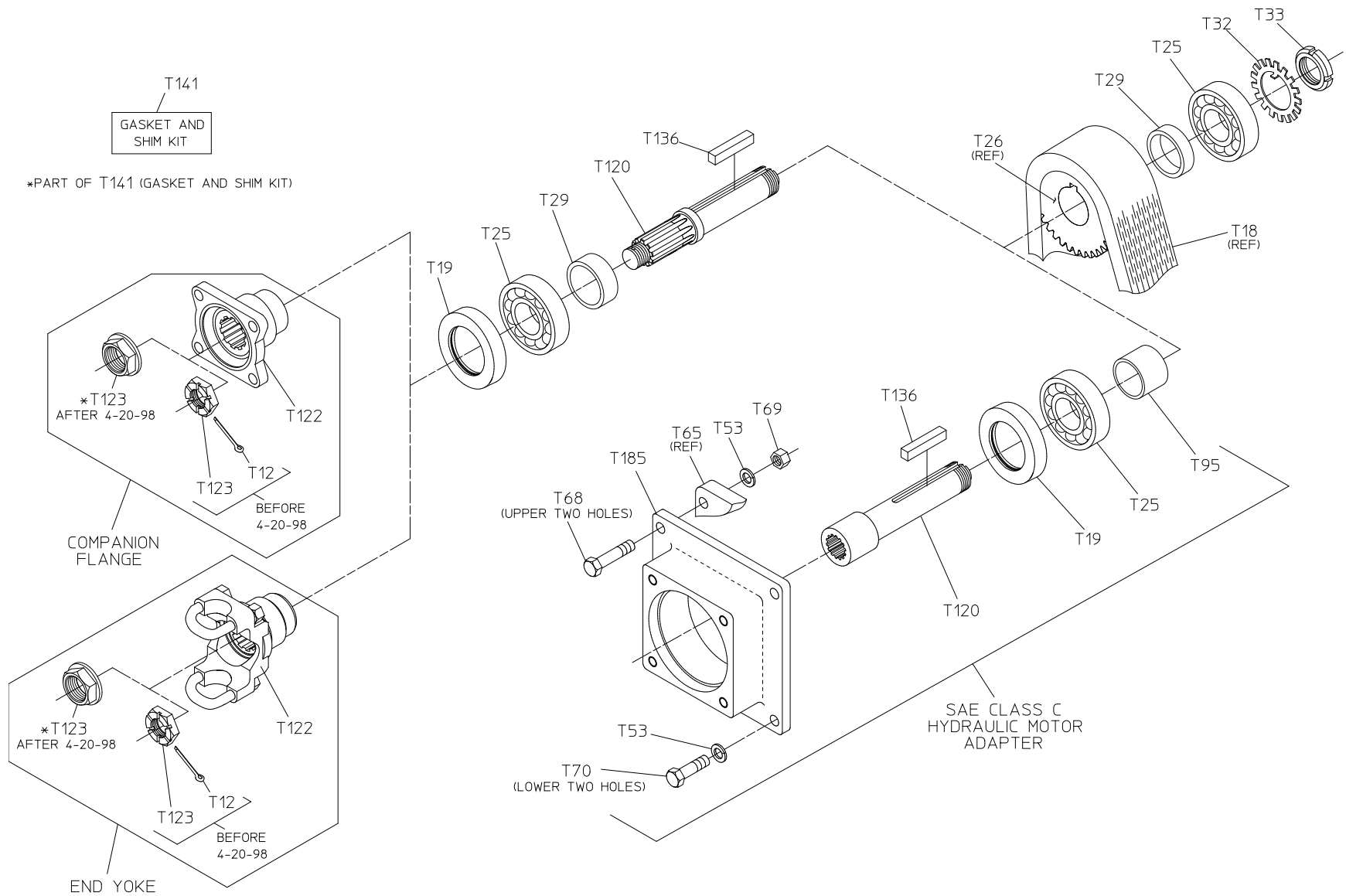




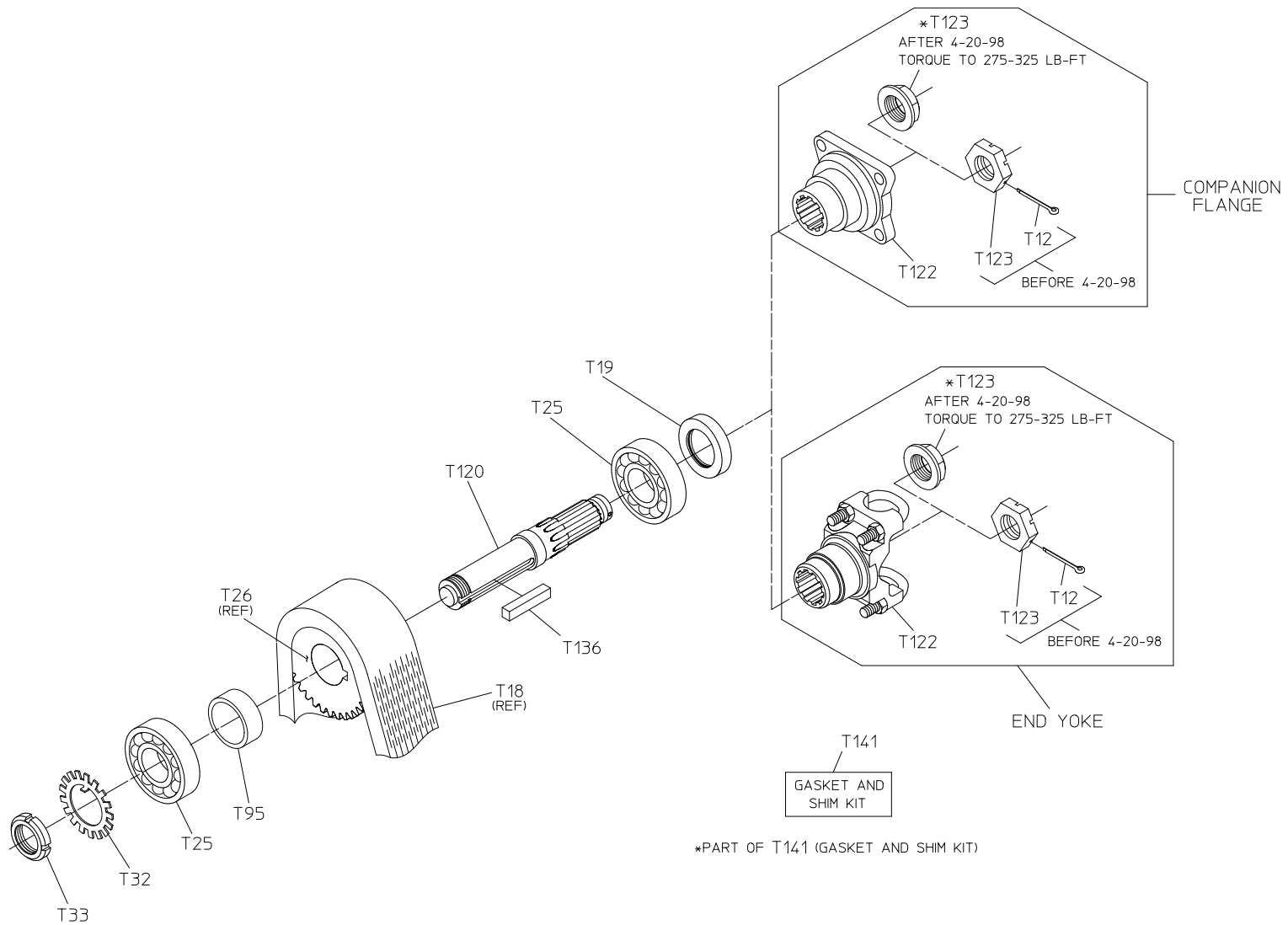
2 IN. HEAVY DUTY DRIVE LINE COMPONENTS



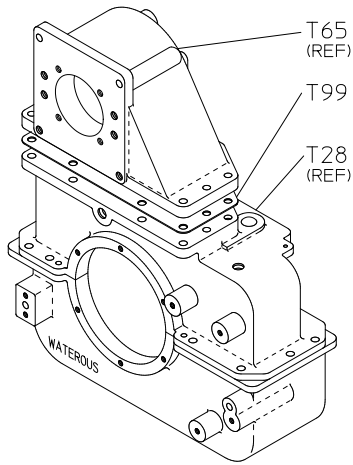




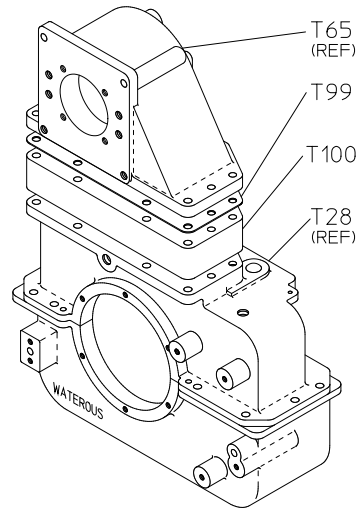
FRONT FACING OUTPUT SHAFT COMPONENTS
(REFER TO DRIVELINE PAGES)



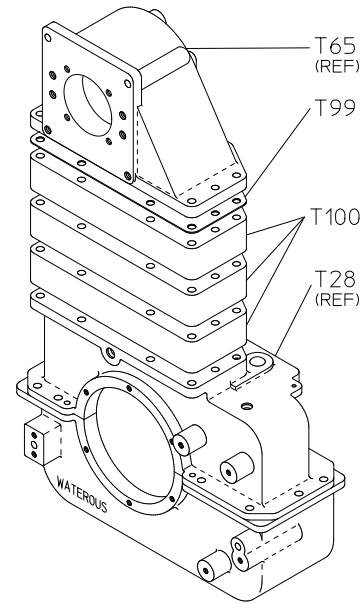
REAR FACING OUTPUT SHAFT COMPONENTS
(REFER TO DRIVELINE PAGES)



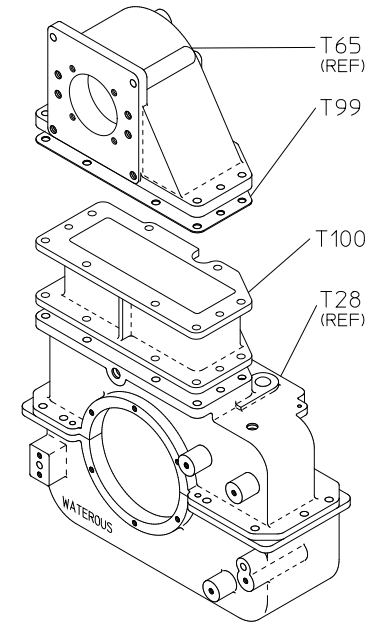
MODELS TYB, TYBX



MODELS TYC, TYCX



MODELS TYE, TYEX
(PRIOR TO 8-5-96)

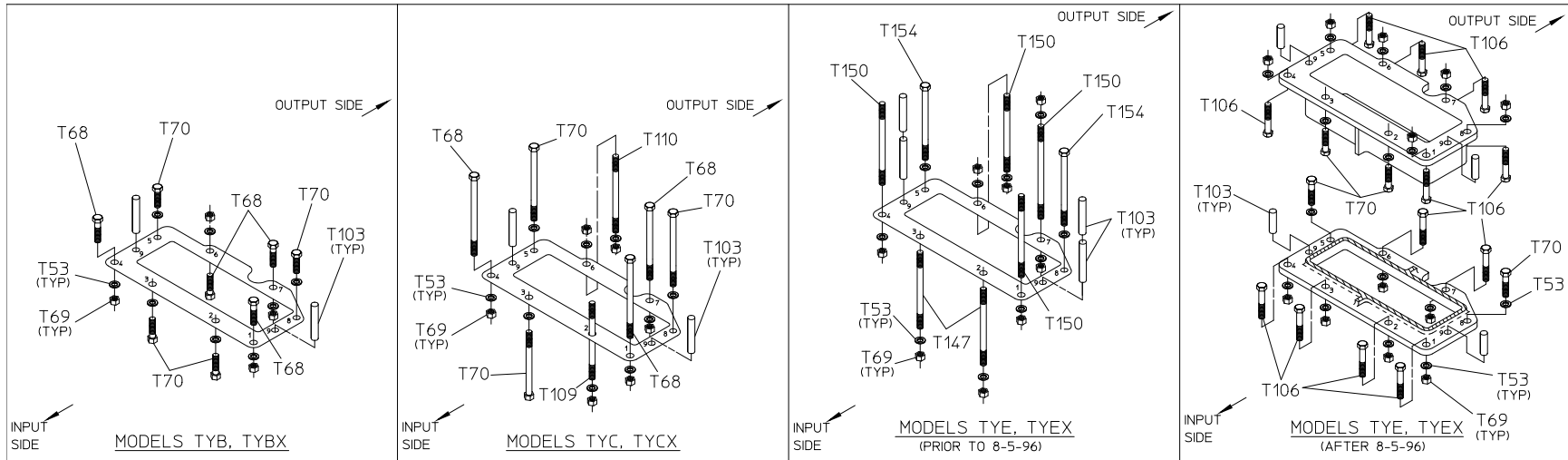


MODELS TYE, TYEX
(AFTER 8-5-96)

| RATIOS | MODELS TYB, TYBX | MODELS TYC, TYCX | | MODELS TYE, TYEX (PRIOR TO 8-5-96) | | MODELS TYE, TYEX (AFTER 8-5-96) | |
|--------|------------------|------------------|------|---------------------------------------|------|------------------------------------|------|
| | T99 | T99 | T100 | T99 | T100 | T99 | T100 |
| 0.89 | 5 | 4 | 1 | * | * | * | * |
| 1.14 | 2 | 6 | 1 | * | * | 3 | 1 |
| 1.27 | 0 | 0 | 1 | * | * | 2 | 1 |
| 1.41 | 0 | 3 | 1 | * | * | 2 | 1 |
| 1.48 | 4 | 5 | 1 | * | * | 1 | 1 |
| 1.58 | 0 | 2 | 1 | 3 | 3 | 1 | 1 |
| 1.69 | 4 | 0 | 1 | * | * | 4 | 1 |
| 1.79 | 2 | 1 | 1 | 2 | 3 | 3 | 1 |
| 1.88 | 2 | 0 | 1 | * | * | 3 | 1 |
| 1.97 | 2 | 1 | 1 | * | * | 2 | 1 |
| 2.03 | 0 | 2 | 1 | * | * | 1 | 1 |
| 2.27 | 0 | 3 | 1 | * | * | 0 | 1 |
| 2.46 | 3 | 3 | 1 | * | * | 3 | 1 |
| 2.73 | 3 | 1 | 1 | * | * | 2 | 1 |

*NOTE: THESE RATIOS ARE NOT AS YET AVAILABLE FOR THESE MODELS.

SPACERS BETWEEN CAP (T65) AND CASE (T28)
(SEE NEXT PAGE FOR HARDWARE DETAILS)



| REF. NO. | TYPE | THREAD | LENGTH (MODEL) | | | |
|----------|----------------|-----------------|----------------|-----------|--------------------------------|-----------------------------|
| | | | TYB, TYBX | TYC, TYCX | TYE, TYEX (PRIOR TO 8-5-96) | TYE, TYEX (AFTER 8-5-96) |
| T53 | LOCKWASHER | 1/2 | --- | --- | --- | --- |
| T68 | HEX HD SCREW | 1/2-20 | 2-1/4 | 4-1/4 | --- | --- |
| T69 | HEX NUT | 1/2-20 | --- | --- | --- | --- |
| T70 | HEX HD SCREW | 1/2-13 | 1-1/2 | 3-1/2 | --- | 1-1/2 |
| T103 | DOWEL PIN, 1/2 | --- | 1-1/2 | 3 | 1-1/2 | 1-1/2 |
| T106 | HEX HD SCREW | 1/2-20 | --- | --- | --- | 2 |
| T109 | STUD | 1/2-13 x 1/2-20 | --- | 4-1/4 | --- | --- |
| T110 | STUD | 1/2-20 x 1/2-20 | --- | 4-3/4 | --- | --- |
| T147 | STUD | 1/2-13 x 1/2-20 | --- | --- | 7-3/4 | --- |
| T150 | STUD | 1/2-20 x 1/2-20 | --- | --- | 8-3/8 | --- |
| T154 | HEX HD SCREW | 1/2-13 | --- | --- | 7 | --- |

| HOLE NO. | MODELS TYB, TYBX | MODELS TYC, TYCX | MODELS TYE, TYEX (PRIOR TO 8-5-96) | | MODELS TYE, TYEX (AFTER 8-5-96) | |
|----------|------------------|------------------|---------------------------------------|-------------|------------------------------------|-------|
| | ALL RATIOS | ALL RATIOS | 158 | 179 | ALL RATIOS | |
| | | | | | UPPER | LOWER |
| 1 | T68 | T68 | T150 | T150 | T106 | T106 |
| 2 | T70 | T109 | T147 | T147 | T70 | T106 |
| 3 | T70 | T70 | T147 | T147 | T70 | T106 |
| 4 | T68 | T68 | T150 | T150 | T106 | T106 |
| 5 | T70 | T70 | T154 | T154 | T106 | T70 |
| 6 | T68 | T110 | T150 | T150 | T106 | T106 |
| 7 | T68 | T68 | T150 | T150 | T106 | T106 |
| 8 | T70 | T70 | T154 | T154 | T106 | T70 |
| 9 | T103 | T103 | T185 (2) | T185 (2) | T103 | T103 |

FLANGE HARDWARE BETWEEN CAP (T65) AND CASE (T28)