

Issued: 05/88
 Revised: 01/20/97

W A T E R O U S

WATEROUS COMPANY
 SOUTH ST. PAUL, MINNESOTA

CS PUMPS BODY ASSEMBLY

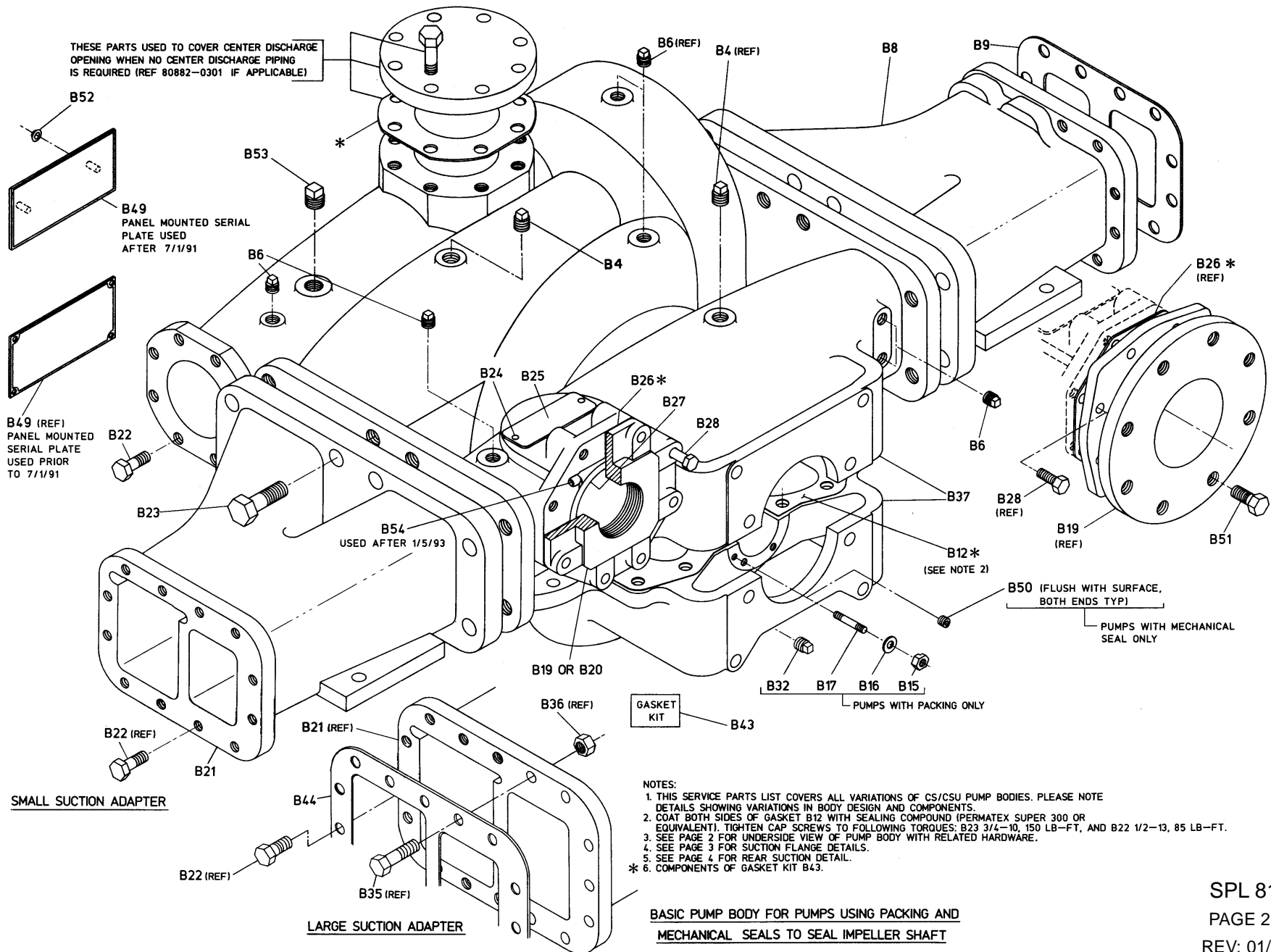
REF NO.	DESCRIPTION	REF NO.	DESCRIPTION
B2	Pipe tee, 1/4 in.	B28	Cap screw, 3/8-16 x 1 in. or 1-1/4 in.
B3	Close pipe nipple, 1/4 in. x 7/8 in.	B31	Rear suction fitting gasket
B4	Sq hd pipe plug, 3/8 in. (Used when priming valve is omitted)	B32	Pipe plug, 1/8 in.
B6	Sq hd pipe plug, 1/4 in.	B33	Discharge flange gasket (Iron Body only)
B7	Suction flange gasket	B34	Rear suction fitting
B8	Suction adapter, RH (or rear suction adapter, RH)	B35	Hex hd bolt, 1/2-20 x 2 in.
B9	Gasket, suction fitting, standard suction adapter	B36	Hex nut, 1/2-20
B10	Cap screw, 1/2-13 x 4-3/4 in.	B37	Body assembly (sold as assembly only) (Consists of volute body and volute cover)
B11	Dowel pin, 7/16 x 1-1/4 in.	B39	Suction flange gasket (Bronze body only)
B12	Gasket set, cover to body	B40	Cap screw, socket hd, 1/2-13 x 1-1/2 in.
B14	Cap screw, socket hd, 5/8-11 x 2-1/4 in.	B41	Blind flange
B15*	Unbalanced nut, 5/16-18	B42	Discharge flange gasket
B16	Flat washer, brass, 5/16 in.	B43	Gasket Kit consists of (B7, B12, B26, B33, B39, B42)
B17*	Stud, 5/16-18 x 1-5/8 in.	B44	Gasket, suction fitting, large suction adapter
B18	Cap screw, 1/2-13 x 1-1/2 in.	B45	Standard pipe cross, 1/4 in. x 1/4 in.
B19	Tank suction adapter, 2-1/2 NPT, 3 NPT, 4 ANSI or tank suction valve	B46	Reducing bushing, 1/4 in. x 1/8 in.
B20	Blind flange	B47	Hose assembly
B21	Suction adapter, LH	B48	Male union adapter, 1/8 in. x 1/8 in.
B22	Cap screw, 1/2-13 x 1-1/4 in.	B49	Serial plate (located at operators panel)
B23	Cap screw, 3/4-10 x 2 in.	B50	Set screw, socket hd, 5/16-18 x 1/2 in.
B24	Rd hd drive screw, No. 6 x 1/4 in.	B51	Cap screw, 1/2-13 x 1 in. (used only on B19 tank suction valve adapter)
B25	Serial plate (body mounted)	B52	Self threading nut
B26	Adapter gasket, tank suction	B53*	Sq hd pipe plug, 1/2 in.
B27*	Check valve, tank suction	B54*	Plain bearing, TFE (used after 1/5/93)

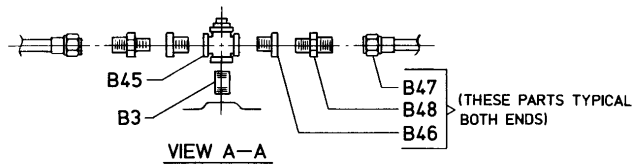
PLEASE NOTE

WHEN ORDERING PARTS PLEASE SUPPLY PUMP SERIAL NUMBER

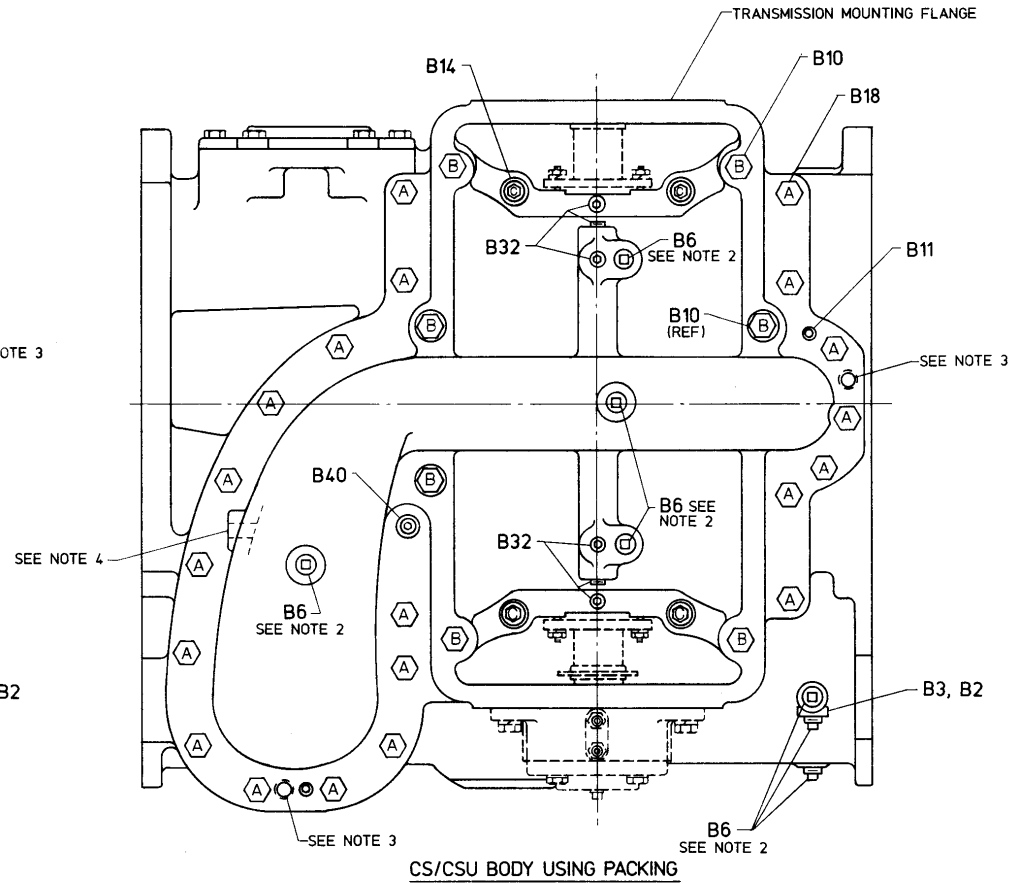
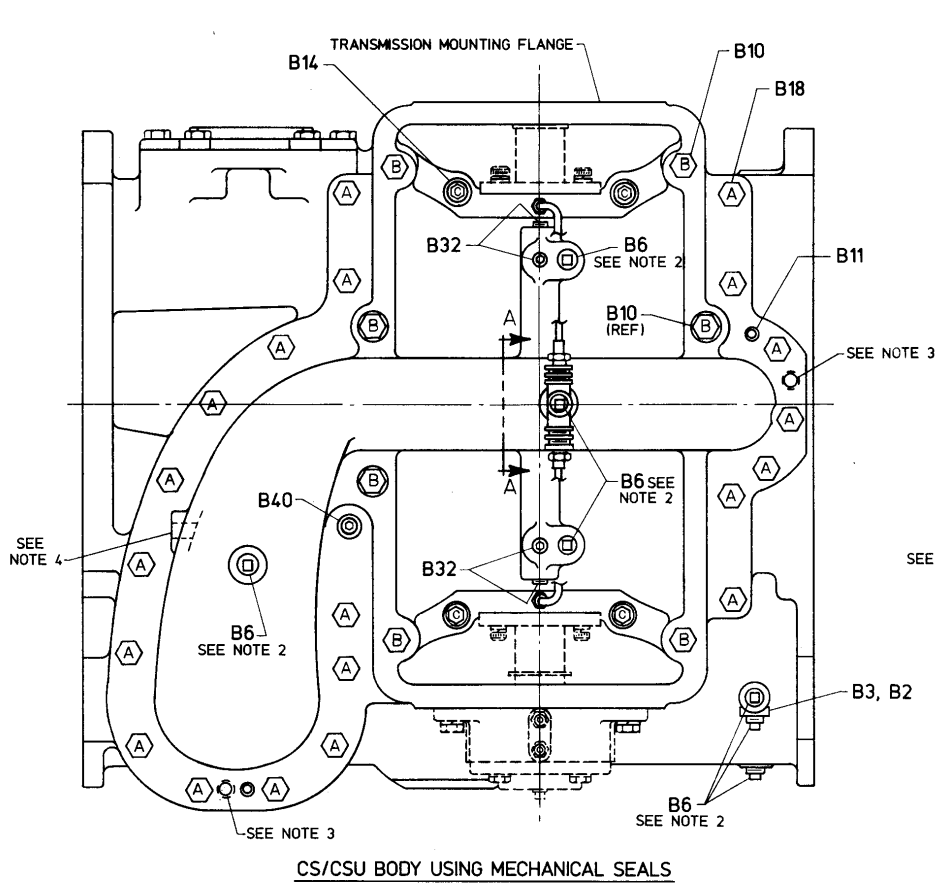
SPL81608

PAGE 1 OF 5





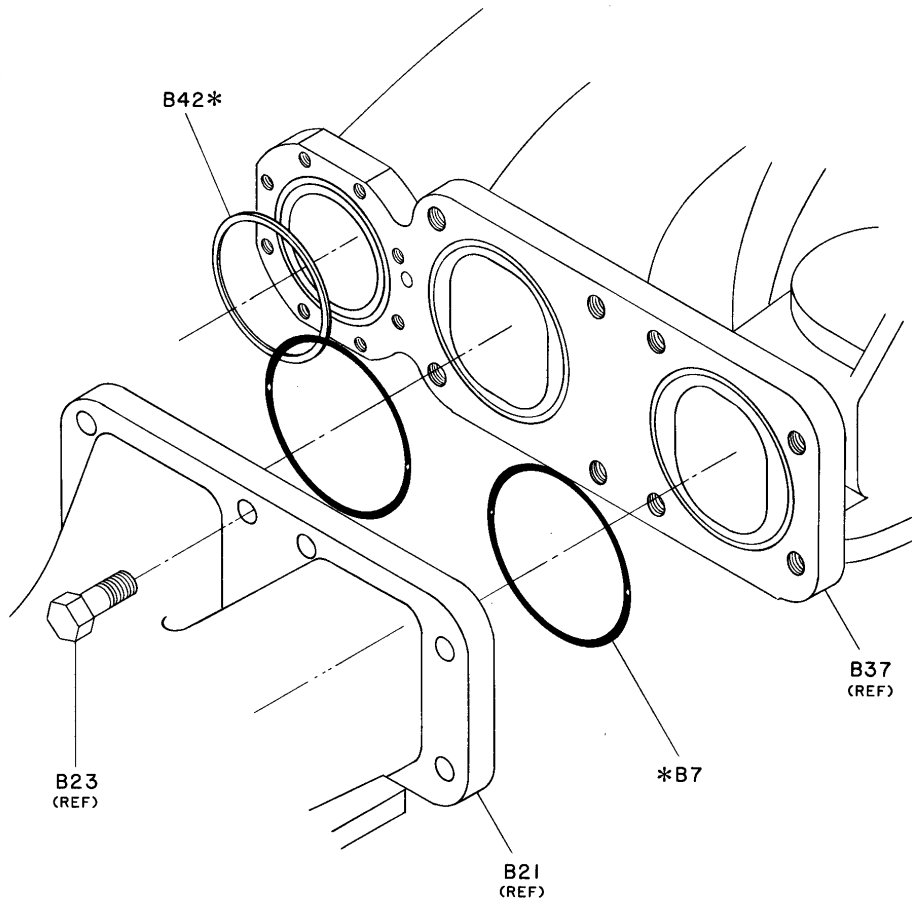
FASTENER TYPE AND SIZE		
REF NO.	DESCRIPTION	QTY
B10	HEX HEAD, 1/2-13 X 4-3/4	7
B14	HEX HEAD, 5/8-11 X 2-1/4	4
B18	HEX HEAD, 1/2-13 X 1-1/2	20
B40	SOCKET HEAD, 1/2-13 X 1-1/2	1



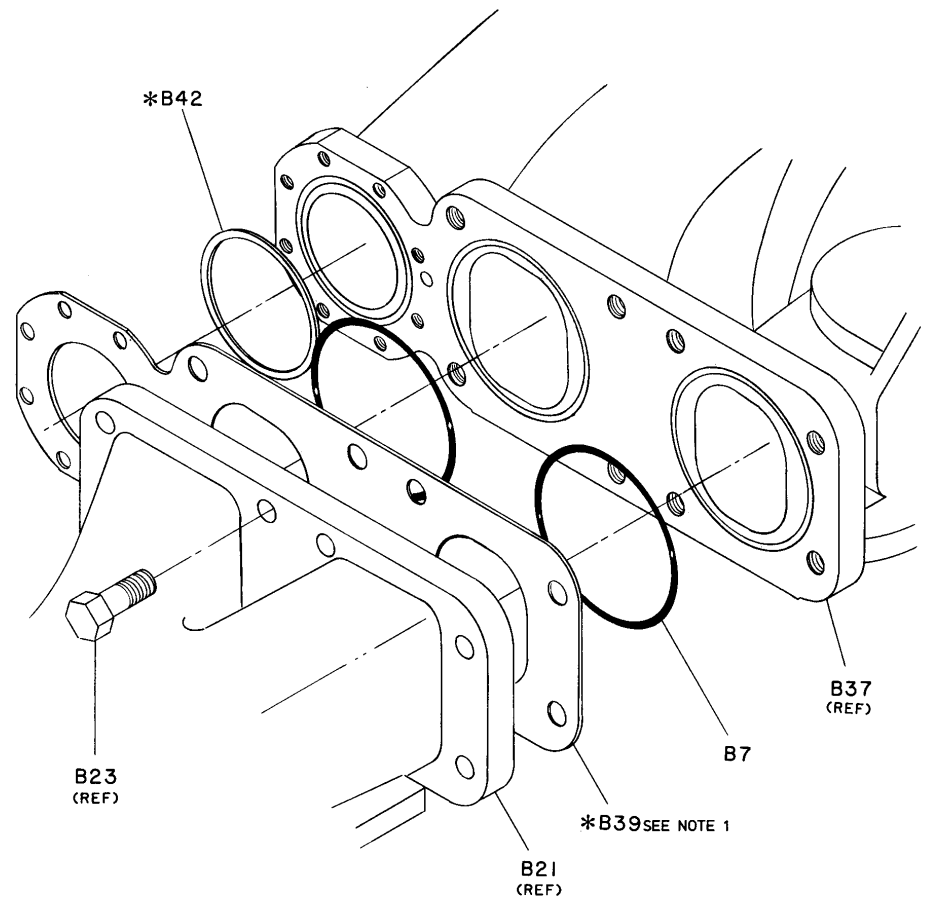
UNDERSIDE VIEW OF PUMP

NOTES

1. TIGHTEN CAP SCREWS TO FOLLOWING TORQUES: HEX HEAD SCREWS B10, AND B18 TO 85 LB-FT, SOCKET HEAD SCREWS B14 (UNTIL 3-1-76) B40 TO 85 LB-FT, AND B14 (BEGINNING 3-1-76) TO 125 LB-FT.
2. WATEROUS FURNISHES PUMP WITH PIPE PLUGS INSTALLED IN THESE HOLES, BUT THE APPARATUS BUILDER MAY HAVE REMOVED THEM AND INSTALLED PIPING TO THE DRAIN VALVE.
3. THESE ARE 1/2-13 UNC TAPPED HOLES TO ACCOMMODATE THE USE OF JACKING SCREWS DURING DISASSEMBLY.
4. THIS IS A 1/2 DIA UNTAPPED HOLE WHICH IS REQUIRED TO DRAIN A CORED POCKET IN THE COVER CASTING AND DOES NOT REQUIRE A PLUG.



IRON PUMP ONLY



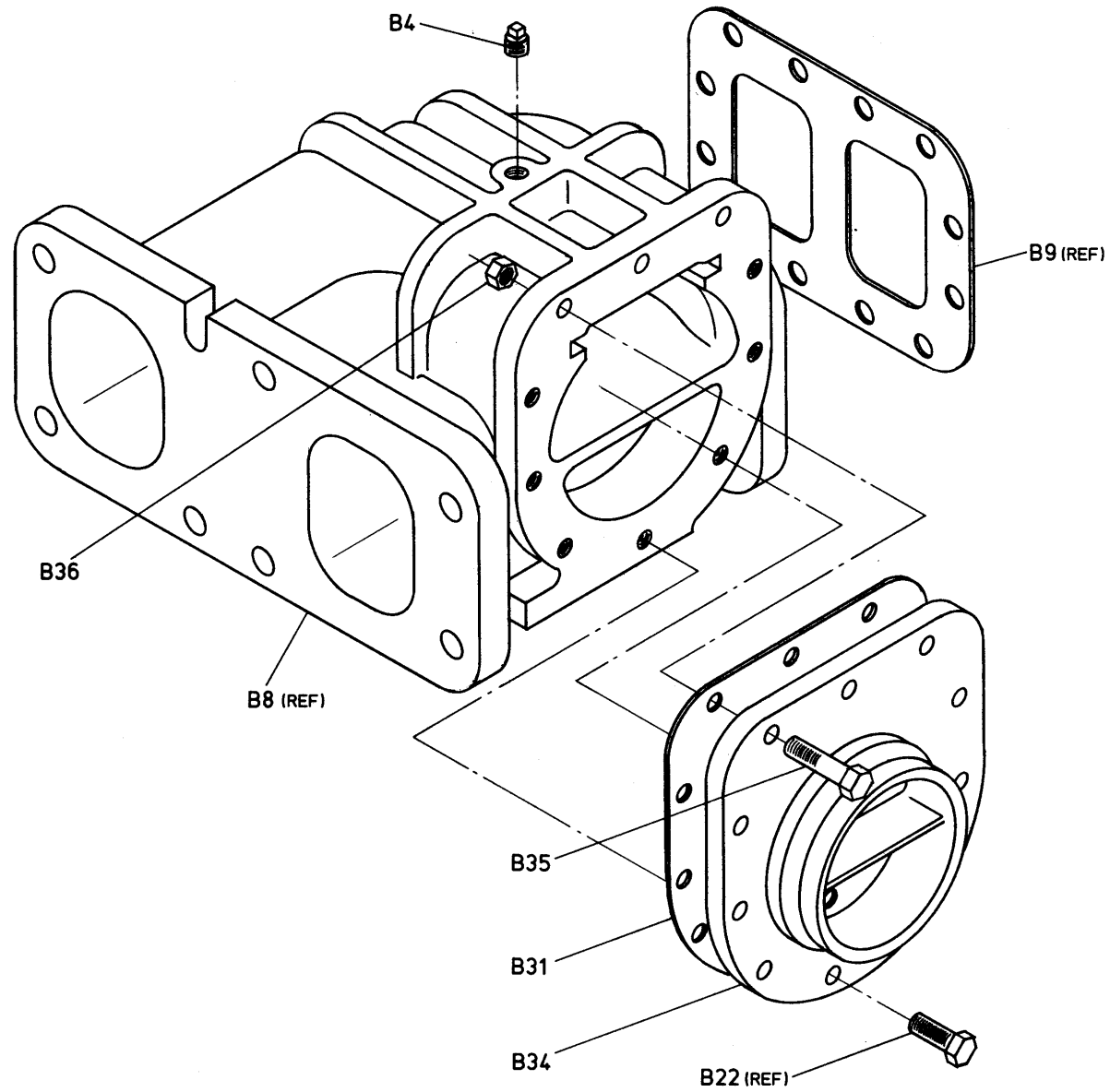
BRONZE PUMP ONLY

* PARTS OF GASKET KIT B43

SUCTION FLANGE GASKET DETAIL

NOTES:

- 1.) COAT BOTH SIDES OF GASKET B39 WITH SEALING COMPOUND (PERMATEX SUPER 300 OR EQUIVALENT).



REAR SUCTION ADAPTER AND FITTING DETAIL