

Issued: 6/88
Revised: 01/15/04

W A T E R O U S

WATEROUS COMPANY
SOUTH ST. PAUL, MINNESOTA

PB18 SERIES PORTABLE PUMPING UNIT

REF NO.	DESCRIPTION	REF NO.	DESCRIPTION
1	Drain cock	41	Impeller
2	Serial plate	42	Impeller washer
3	Round hd drive screw, No. 6 x 1/4 in.	43	Socket hd screw, 3/8-24 x 1 in., SS
7	Lock washer, 5/16 in.	44	Volute body subassembly (includes 2, 3 & 39)
9	O-ring	46	Compression elbow, 90°
11	Shaft sleeve	47	Ball valve, 1/4 in.
12	O-ring	48	Pipe nipple, 1/4 x 1-1/2 in.
13	Priming tube	53	18 HP engine replacement kit
14	Compression connector	56	Ball valve, 1-1/2 NH or 1-1/2 NPT
15	Exhaust primer subassembly	57	Hex hd screw, 5/16-18 x 1-1/4 in.
20	Hex hd screw, 1/4-20 x 3/4 in. or 1-1/4 in.	58	Rail base
21	Lock washer, 1/4 in.	60	Hex nut, 5/16-18, SS
25	Lock nut, 1/4-20	61	Lock nut, 1/4-20
26	Hex hd bolt, 1/4-20 x 1-1/4 in.	62	Rubber foot
27	Exhaust valve	63	Round hd machine screw, 1/4-20 x 3/4 in.
28	Exhaust primer handle	64	Handle grip
30	Throttle control	65	Pick up handle
32	Lock nut, No. 10-24	66	Compression spring
33	Square key, 1/4 x 3/4 in. SS	69	Foot spacer
34	Hex hd screw, 3/8-16 x 1 in.	70	Round hd machine screw, 1/4-20 x 2-1/4 in.
35	Lock washer, 3/8 in.	91	O-ring
36	Engine adapter subassembly (includes 39)	92	Roll pin, 3/16 x 1-1/4 in., SS
37	Copper washer, 3/8 in.	94	Muffler (refer to 178)
38	Socket hd screw, 3/8-16 x 2 in.	95	Primer adapter
39	Wear ring	98	Pipe plug, 1/4 in.
40	Mechanical seal		

PLEASE NOTE
WHEN ORDERING PARTS PLEASE SUPPLY PUMP SERIAL NUMBER

SPL81645
PAGE 1 OF 8

W A T E R O U S

WATEROUS COMPANY
SOUTH ST. PAUL, MINNESOTA

PB18 PORTABLE PUMPING UNIT

REF NO.	DESCRIPTION	REF NO.	DESCRIPTION
101	Discharge adapter,	136	Switch (Off)
102	Cap with chain	137	Switch (Start)
103	Discharge adapter, 1-1/2 in. NPT x 1-1/2 in. NH	138	Hose clamp
104	Suction adapter	139	Pipe elbow, 90°, 1/4 in., galv
109	Hex hd screw, 1/4-20 x 1 in.	140	Street elbow, 90°, 1/4 in. (used prior to 10/25/88)
110	Litter base	141	Tube connector, 1/4 in. (used prior to 10/25/88)
111	End frame	144	Street elbow, 90°, 1/2 in.
112	Side frame	146	Socket hd screw, 10-32 x 1-1/4 in.
114	Spark arrestor	147	Fuel tank subassembly (includes 138, 211, 212, 213, 214 & 256)
115	Exhaust gasket (refer to 178 or 198)	148	Battery holder
116	Choke decal	149	Battery hold down
119	Instrument panel (includes 189 Panel Plate)	151	Curved flange tee nut
122	Wire subassembly, battery to ground, black	153	Pump decal
123	Wire subassembly, off switch to ground, black	154	Cable tie
124	Wire subassembly, off switch to magneto, black	155	Gasket
125	Fuel hose bushing	156	Elbow
126	Fuel hose	158	Hex hd screw, 5/16-18 x 1 in.
127	Pressure gauge, 300#	159	Ball valve adapter
128	Wiring heat shield	160	Hex nut, 1/4-20
129	Pressure gauge hose	161	Check valve
130	Alternator wire subassembly	162	Muffler heat shield
131	Self lock screw	163	Round hd machine screw, No. 10-24 x 1/2 in.
132	Rear insert subassembly	168	Button plug
133	Muffler bracket	171	Elbow, male, 90°
135	Switch seal	172	Cable clamp

PLEASE NOTE

WHEN ORDERING PARTS PLEASE SUPPLY PUMP SERIAL NUMBER

SPL81645
PAGE 2 of 8
REV: 01/15/04

WATEROUS

WATEROUS COMPANY
SOUTH ST. PAUL, MINNESOTA

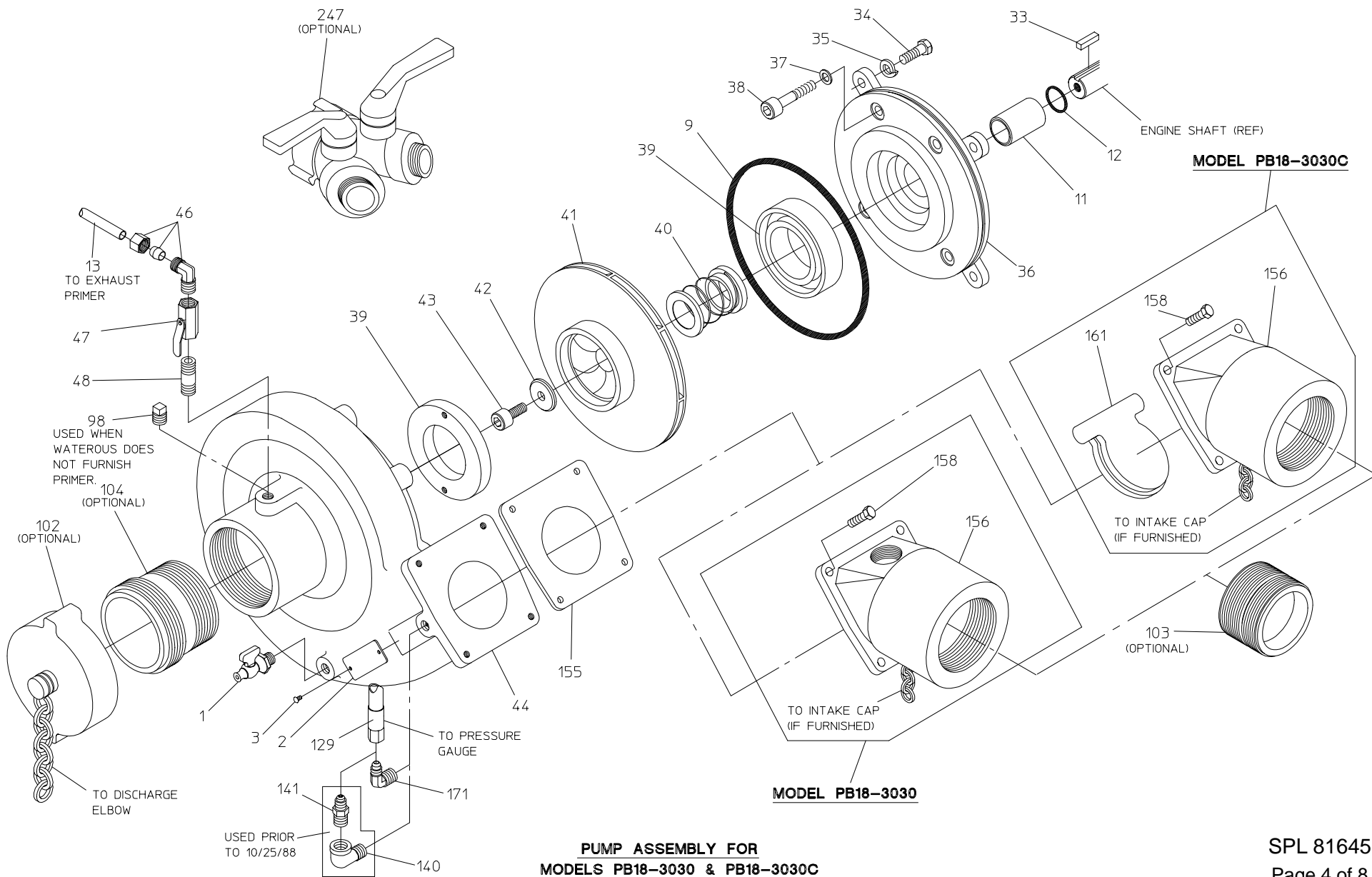
PB18 PORTABLE PUMPING UNIT

REF NO.	DESCRIPTION	REF NO.	DESCRIPTION
173	Port liner gasket	200	Warning label
174	Port liner	201	Wire subassembly, indicating light to oil pressure switch
175	Cap screw, 1/4-20 x 3/4 in.	202	Wire subassembly, alternator to indicating light
176	Self tapping screw, 1/4-14 x 1/2 in.	203	Indicating light, red
178	Muffler replacement kit (includes 94, 114, 115, 173, 174 & 175)	204	Oil pressure switch
180	Wire subassembly, battery to solenoid, red	205	Oil pressure decal
181	Wire subassembly, solenoid to starter, red	208	Clevis pin, 1/4 x 1-1/4 in. (used prior to 6/14/93) 1/4 x 1 in. (used after 6/14/93)
182	Wire subassembly, solenoid to start switch, red	209	Cotter pin, 5/64 x 1/2 in.
183	Wire subassembly, start switch to light switch, red	210	Flat washer, 1/4 in. (used prior to 6/14/93)
18	Wire subassembly, light switch to light, red	211	Fuel tank
185	Wire subassembly, light to ground, black	212	Hose connector
186	Wire subassembly, solenoid to start switch, red	213	Fuel hose
188	Solenoid bracket	214	Quick-release connector
189	Panel plate (included with 199 Instrument Panel – Available separately)	215	Hose clamp (used after 7/20/92)
190	Switch (light)	216	Extension tube (used after 7/20/92)
191	Solenoid	217	Lock washer, No. 10
192	Bulb, 12 volt, #68	246	Round hd machine screw, #10-24 x 1 in.
193	Panel light	247	Discharge WYE w/ball valves
194	Hex hd screw, 1/4-20 x 1/2 in.	248	12 Volt battery
198	Primer exhaust gasket kit (includes 115)	256	Fuel cap

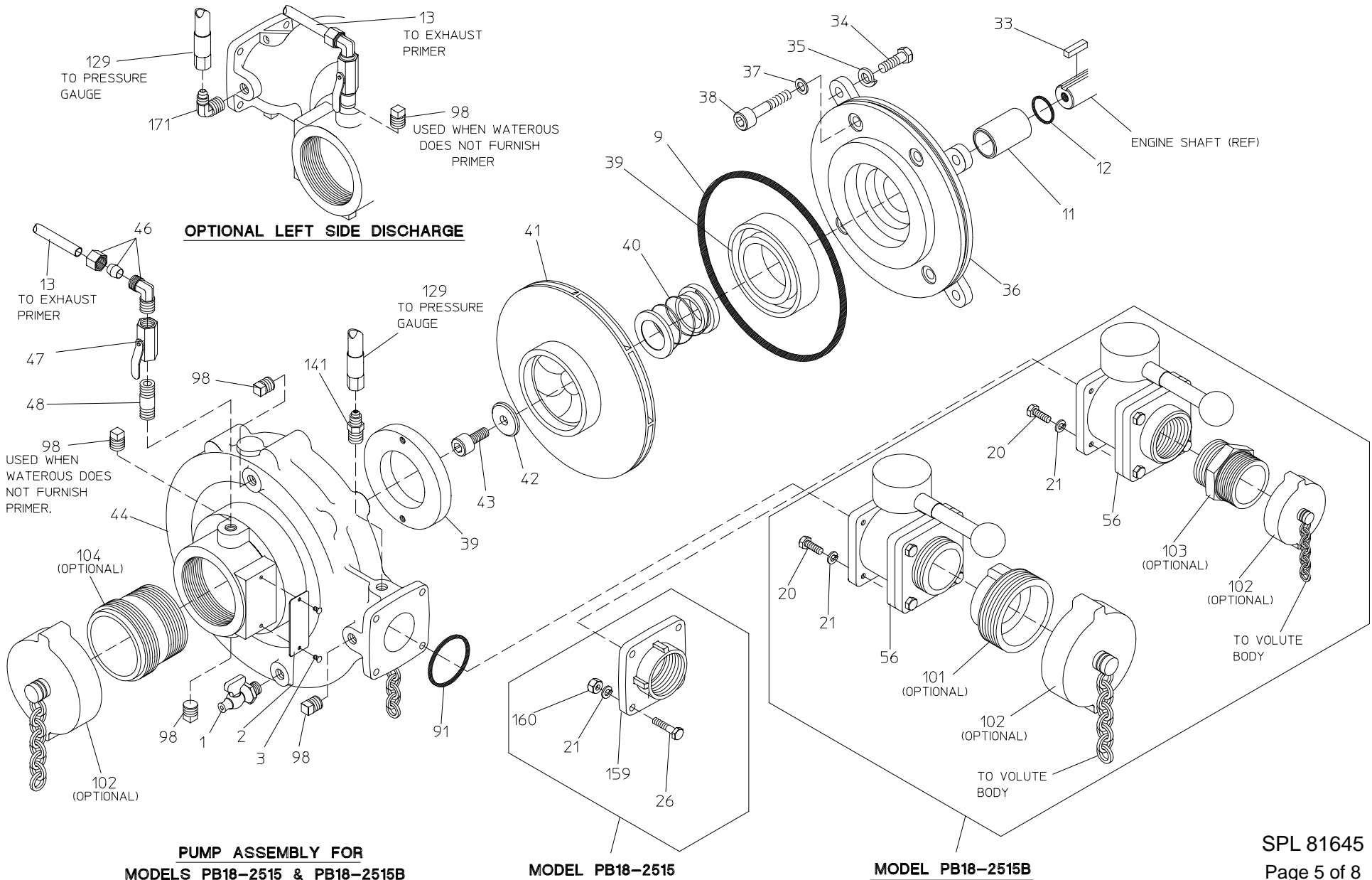
PLEASE NOTE

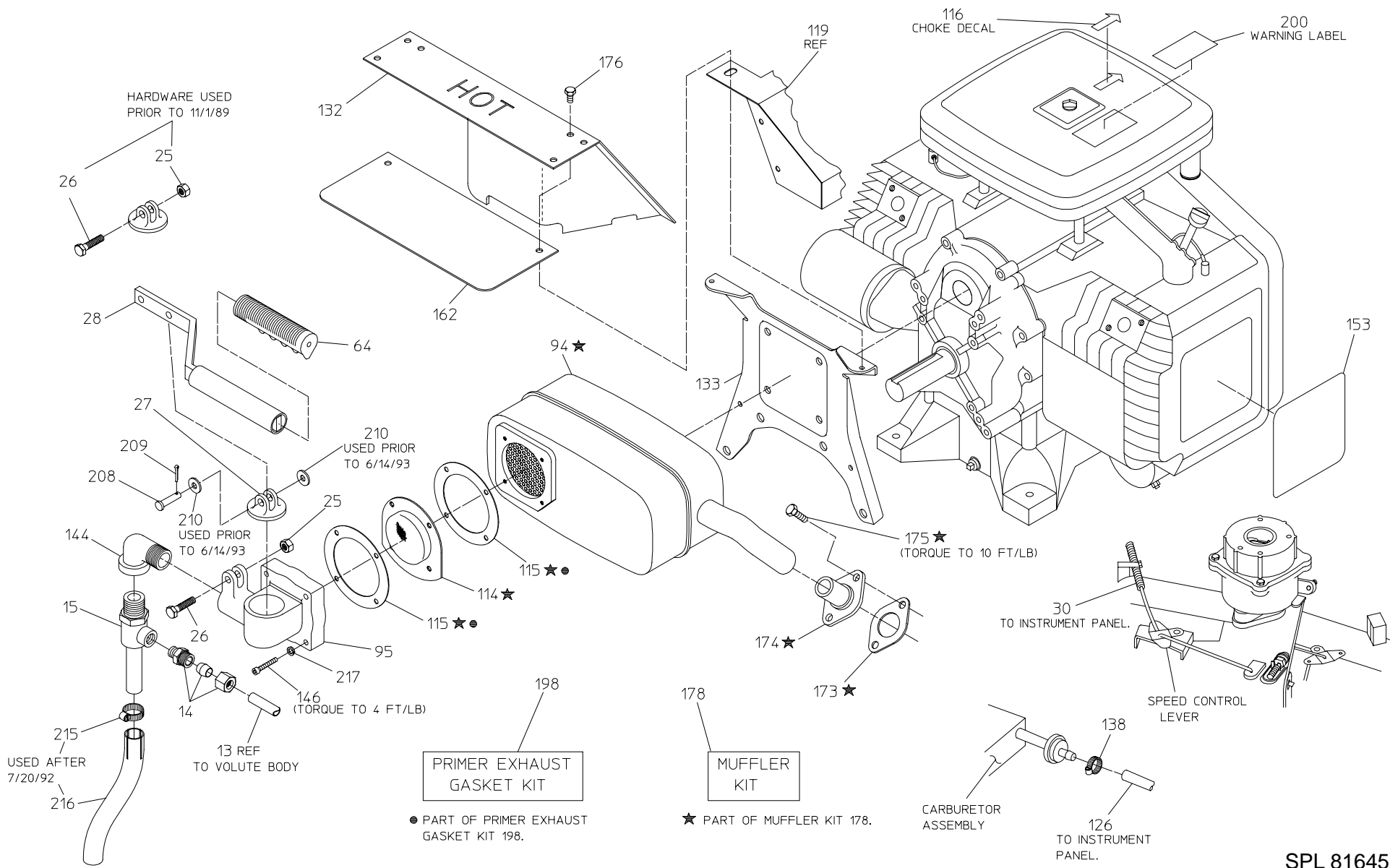
WHEN ORDERING PARTS PLEASE SUPPLY PUMP SERIAL NUMBER

SPL81645
PAGE 3 of 8
REV: 01/15/04



**PUMP ASSEMBLY FOR
MODELS PB18-3030 & PB18-3030C**





ENGINE AND MUFFLER ASSEMBLY

