



Document Number	Issue Date	Rev. Date
<b>SPL81777</b>	<b>06/92</b>	<b>7/24/18</b>

## Pilot Valve Assembly Service Parts List

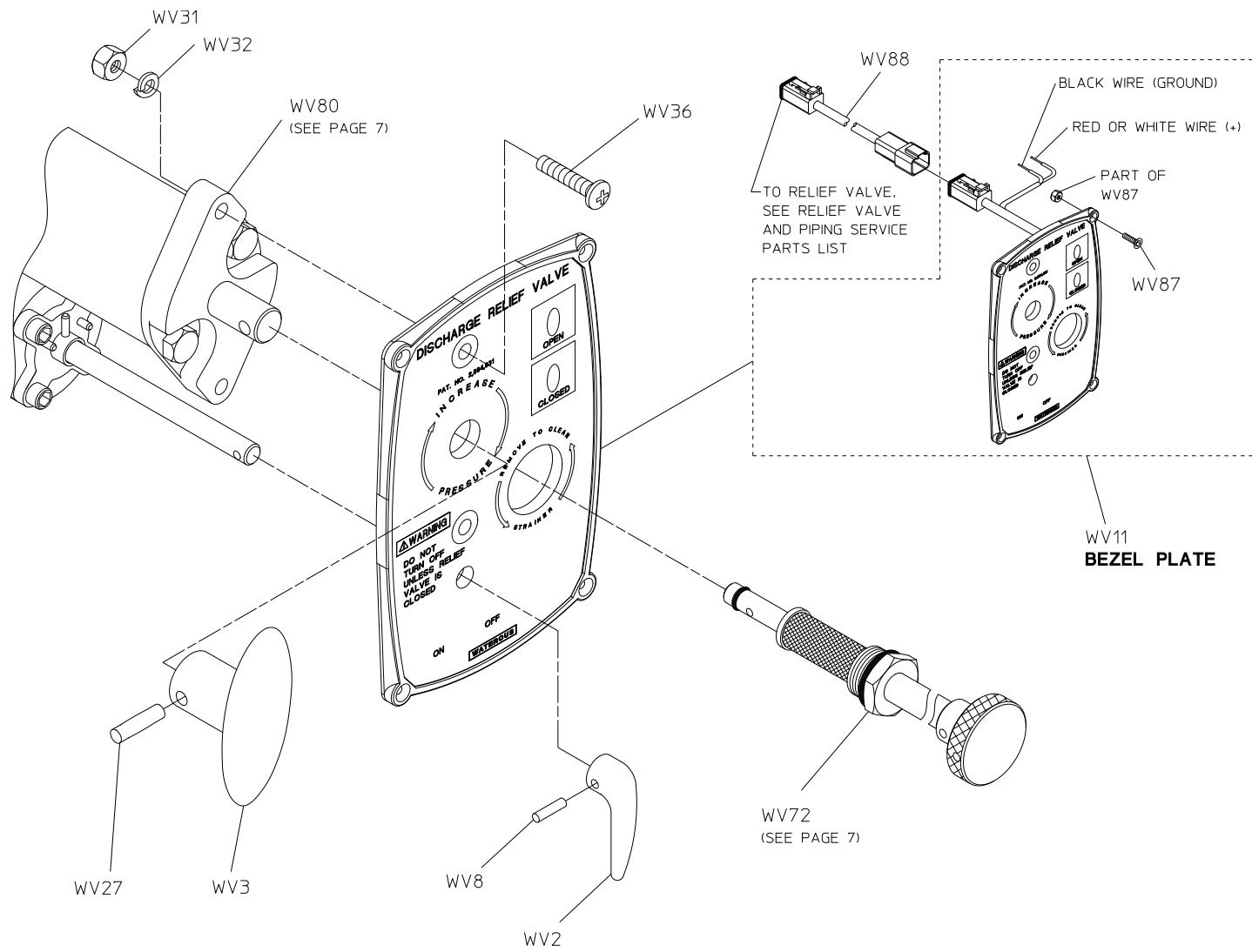
Index:

<b>Component</b>		<b>See Pages</b>
Panel Plate	Design After April 21, 2006 (Bezel)	2, 3
	Design Prior to April 21, 2006 (Die Cast or Stamped)	4, 5
Pilot Valve		6, 7
Piping Details		8, 9

**Panel Plate**  
**Design After April 21, 2006**  
**(Bezel Plate)**

REF. NO.	DESCRIPTION
WV2	Four-way valve handle
WV3	Pilot valve handle
WV8	Spring pin, SS, 5/32 x 5/8 in.
WV11	Panel plate or control panel assembly
WV27	Spring pin, SS or groove pin, 1/4 x 1 in.
WV31	Hex nut, 1/4-20

REF. NO.	DESCRIPTION
WV32	Lock washer, 1/4 in.
WV36	Rd hd screw, SS, 1/4-20 x 1-1/4 in.
WV72	Strainer assembly (includes WV55, WV66, WV74 and WV75), used beginning November 28, 1979.
WV80	Pilot valve subassembly, consists of all parts except WV2, WV3, WV8, WV11, WV27, WV31, WV32 & WV36
WV87	Control panel mounting hardware
WV88	Extension Cable



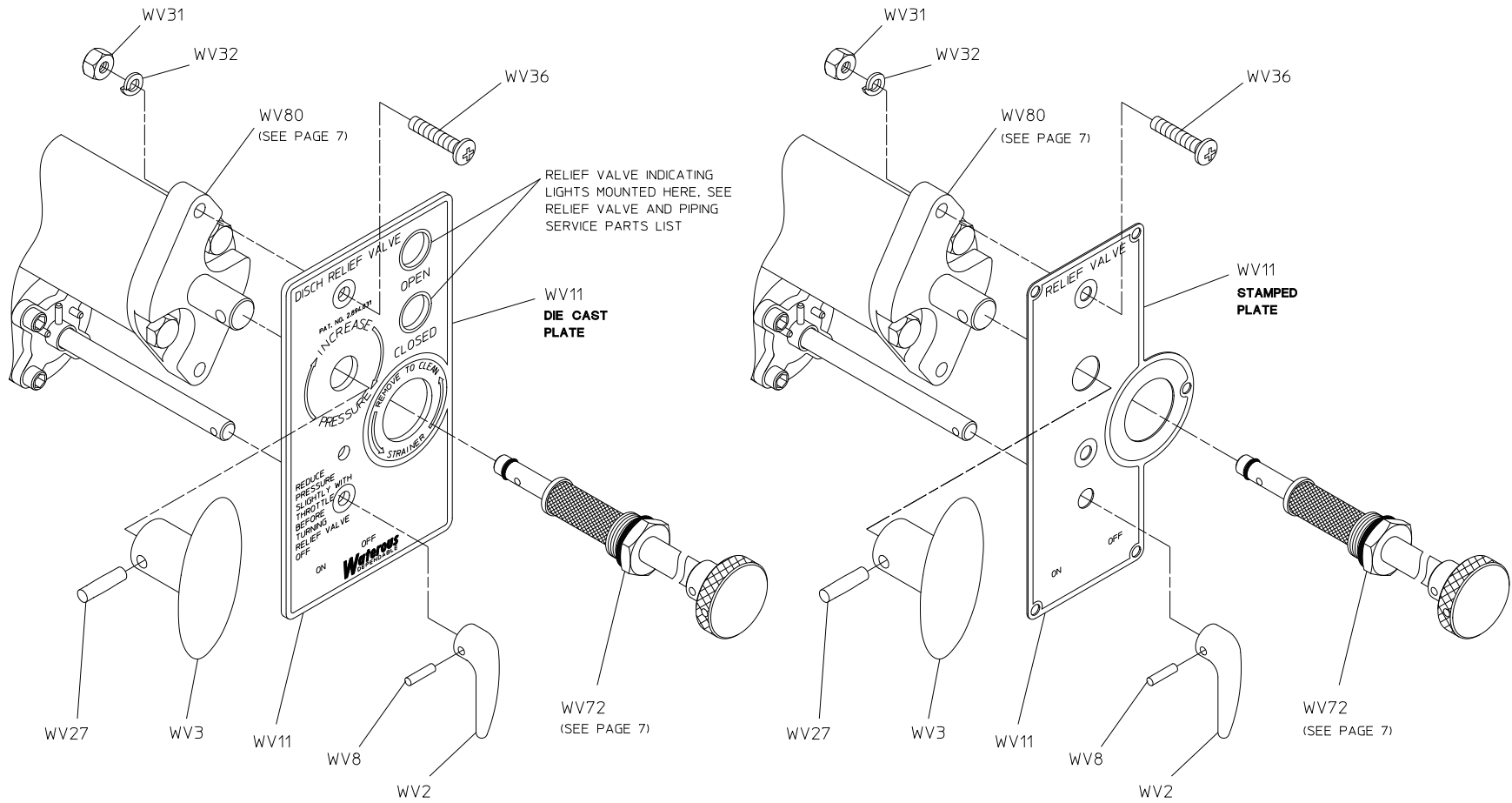
**PANEL PLATE**

DESIGN AFTER APRIL 21, 2006  
(BEZEL)

**Panel Plate**  
**Design Prior to April 21, 2006**  
**(Die-Cast or Stamped Plate)**

REF. NO.	DESCRIPTION
WV2	Four-way valve handle
WV3	Pilot valve handle
WV8	Spring pin, SS, 5/32 x 5/8 in.
WV11	Panel plate or control panel assembly
WV27	Spring pin, SS or groove pin, 1/4 x 1 in.
WV31	Hex nut, 1/4-20

REF. NO.	DESCRIPTION
WV32	Lock washer, 1/4 in.
WV36	Rd hd screw, SS, 1/4-20 x 1-1/4 in.
WV72	Strainer assembly (includes WV55, WV66, WV74 and WV75), used beginning November 28, 1979.
WV80	Pilot valve subassembly, consists of all parts except WV2, WV3, WV8, WV11, WV27, WV31, WV32 & WV36

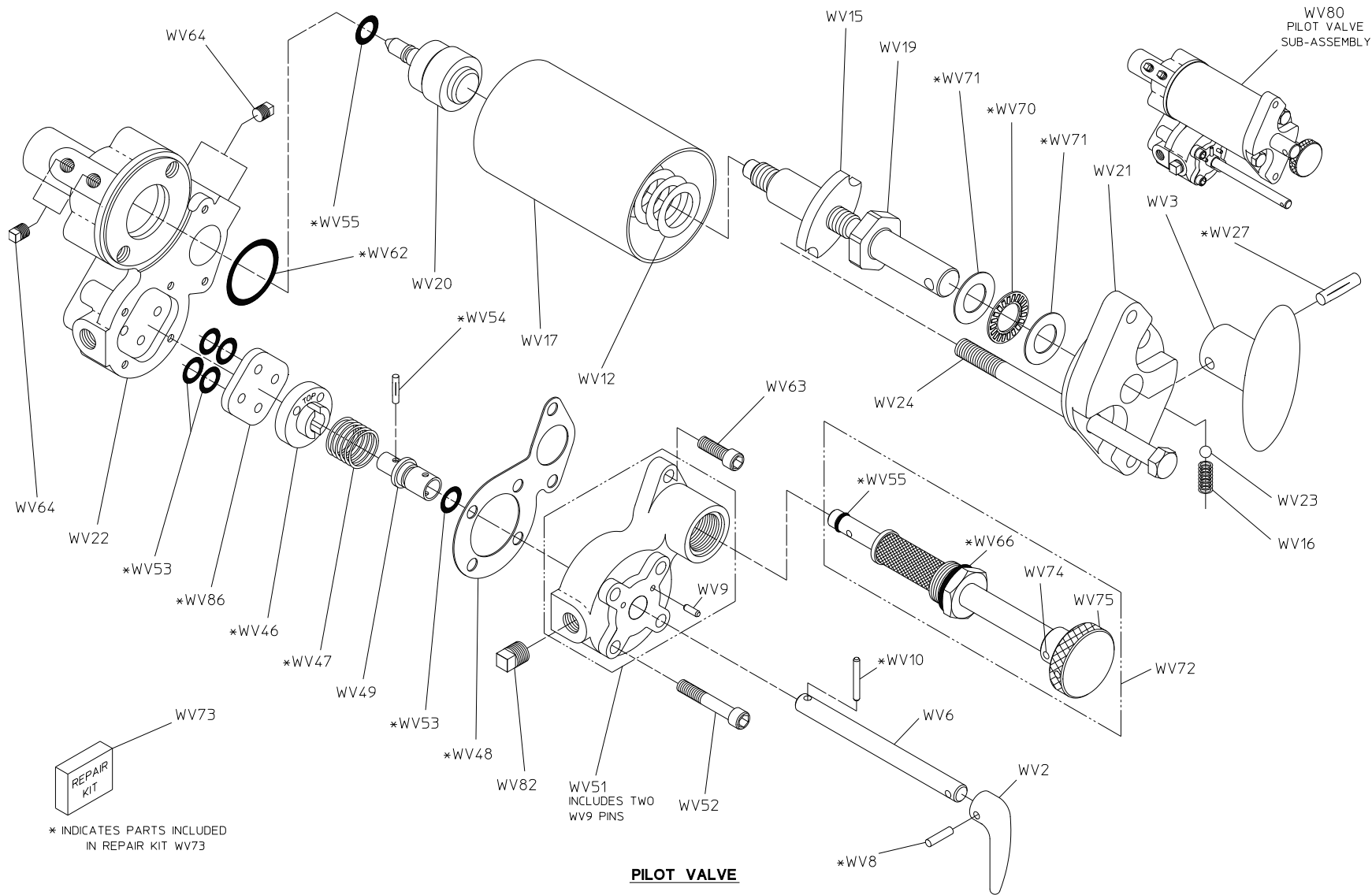


**PANEL PLATES**  
DESIGN PRIOR TO APRIL 21, 2006  
(DIE-CAST OR STAMPED)

## Pilot Valve

REF. NO.	DESCRIPTION
WV2	Four-way valve handle
WV3	Pilot valve handle
WV6	Rod
WV8	Spring pin, SS, 5/32 x 5/8 in.
WV9	Spirol pin, 1/8 x 3/8 in.
WV10	Spirol pin, 1/8 x 1 in.
WV12	Pilot valve spring
WV15	Pressure nut
WV16	Ball spring
WV17	Housing
WV19	Adjusting stem
WV20	Pilot valve
WV21	Pilot valve cover
WV22	Body
WV23	Ball, SS, 9/32 in.
WV24	Hex head screw, 3/8-16 x 5-1/2 in.
WV27	Spring pin, SS or groove pin, 1/4 x 1 in.
WV46	Four-way valve
WV47	Four-way valve spring
WV48	Four-way valve gasket
WV49	Four-way valve stem

REF. NO.	DESCRIPTION
WV51	Four-way valve cover assembly (includes two WV9 pins)
WV52	Socket head screw, 1/4-20 x 1-1/2 in.
WV53	O-ring
WV54	Groove pin, SS, 1/8 x 5/8 in.
WV55	O-ring
WV62	O-ring
WV63	Socket head screw, 1/4-20 x 3/4 in.
WV64	Square head pipe plug, 1/8 in.
WV66	O-ring
WV70	Needle thrust bearing
WV71	Needle thrust bearing race
WV72	Strainer assembly (includes WV55, WV66, WV74 and WV75), used beginning November 28, 1979.
WV73	Repair kit for valves consists of: WV8, WV10, WV27, WV46, WV47, WV48, WV53, WV54, WV55, WV62, WV66, WV70, WV71 & WV86.
WV74	Groove pin, 5/32 x 3/4, SS
WV75	Strainer knob
WV80	Pilot valve subassembly, consists of all parts except WV2, WV3, WV8, WV11, WV27, WV31, WV32 & WV36
WV82	Square head pipe plug, 1/4 in.
WV86	Pilot valve insert

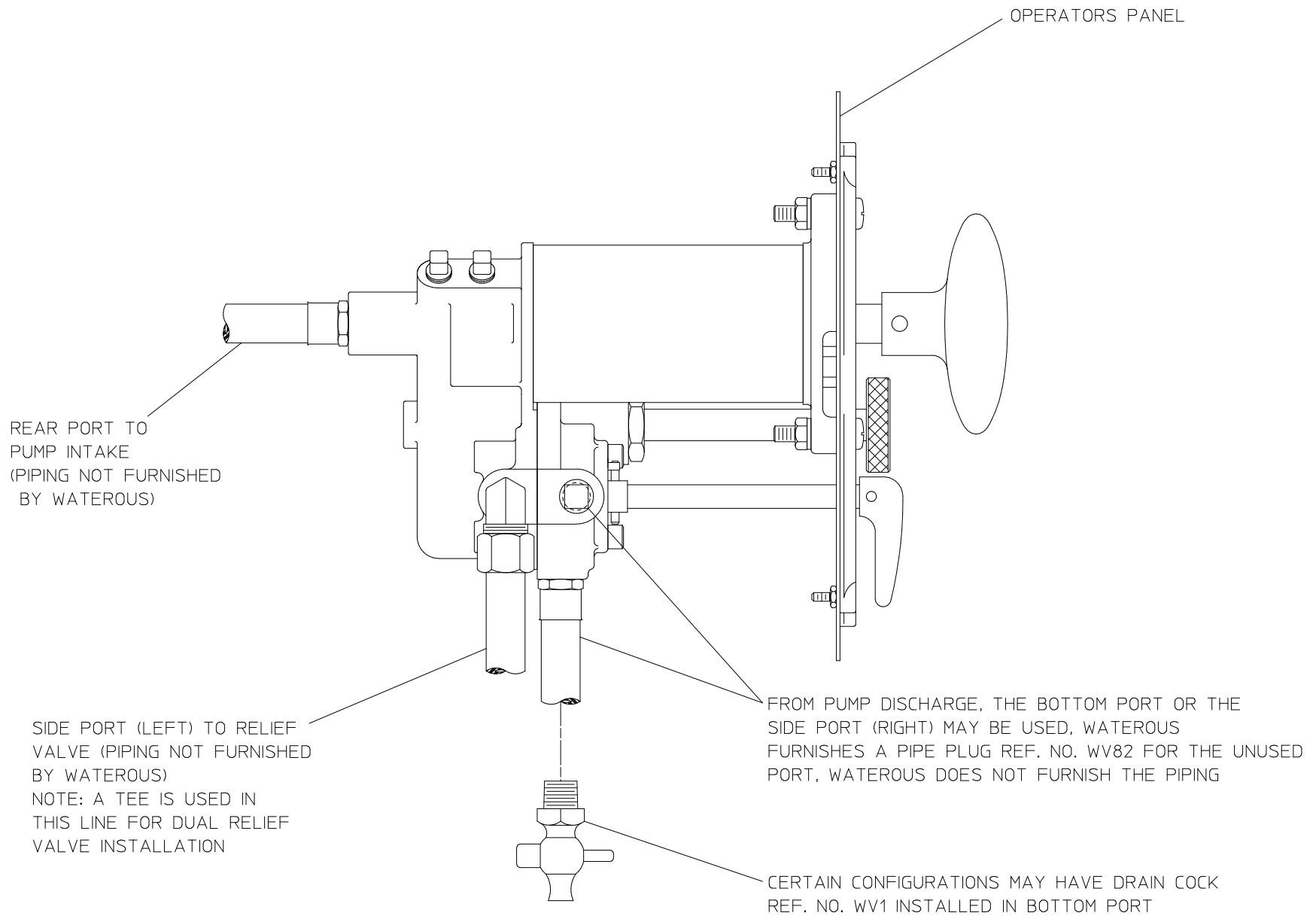


# Piping Details

REF. NO.	DESCRIPTION
WV1	Drain cock, 1/4 in.

REF. NO.	DESCRIPTION
WV82	Square head pipe plug, 1/4 in.





**PIPING DETAILS**