



Document Number SPL81892	Issue Date 07/92	Rev. Date 2/16/17
------------------------------------	----------------------------	-----------------------------

WRX Transmission Service Parts List

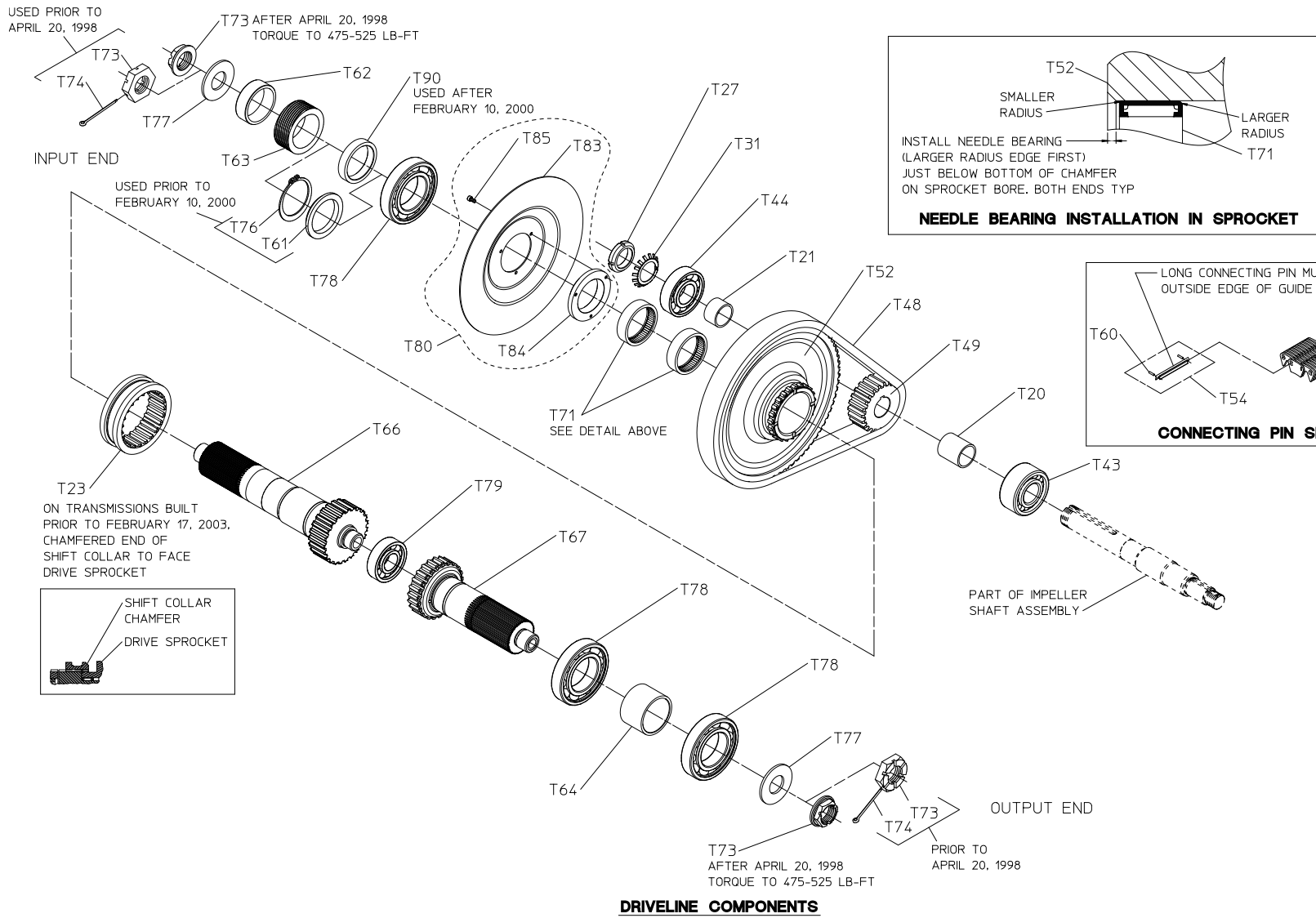
Index:

Item	See Pages
Driveline Components	2 - 3
Case and Shift Components	4 - 7
Cross-Section Views	8 - 9

Driveline Components

REF NO.	DESCRIPTION
T20	Impeller Shaft Spacer
T21	Impeller Shaft Spacer
T23	Shift Collar
T27	Bearing Lock Nut
T31	Bearing Lock Washer
T43	Double Row Ball Bearing
T44	Single Row Ball Bearing
T48	Chain, 92 Pitch
T49	Driven Sprocket, 23T
T52	Drive Sprocket, 71T
T54	Connecting Pin Set
T60	Heavy Spirol Pin, 1/8 x 1/4 in.
T61	Drive Shaft Spacer
T62	Oil Seal Sleeve
T63	Tachometer Drive Gear

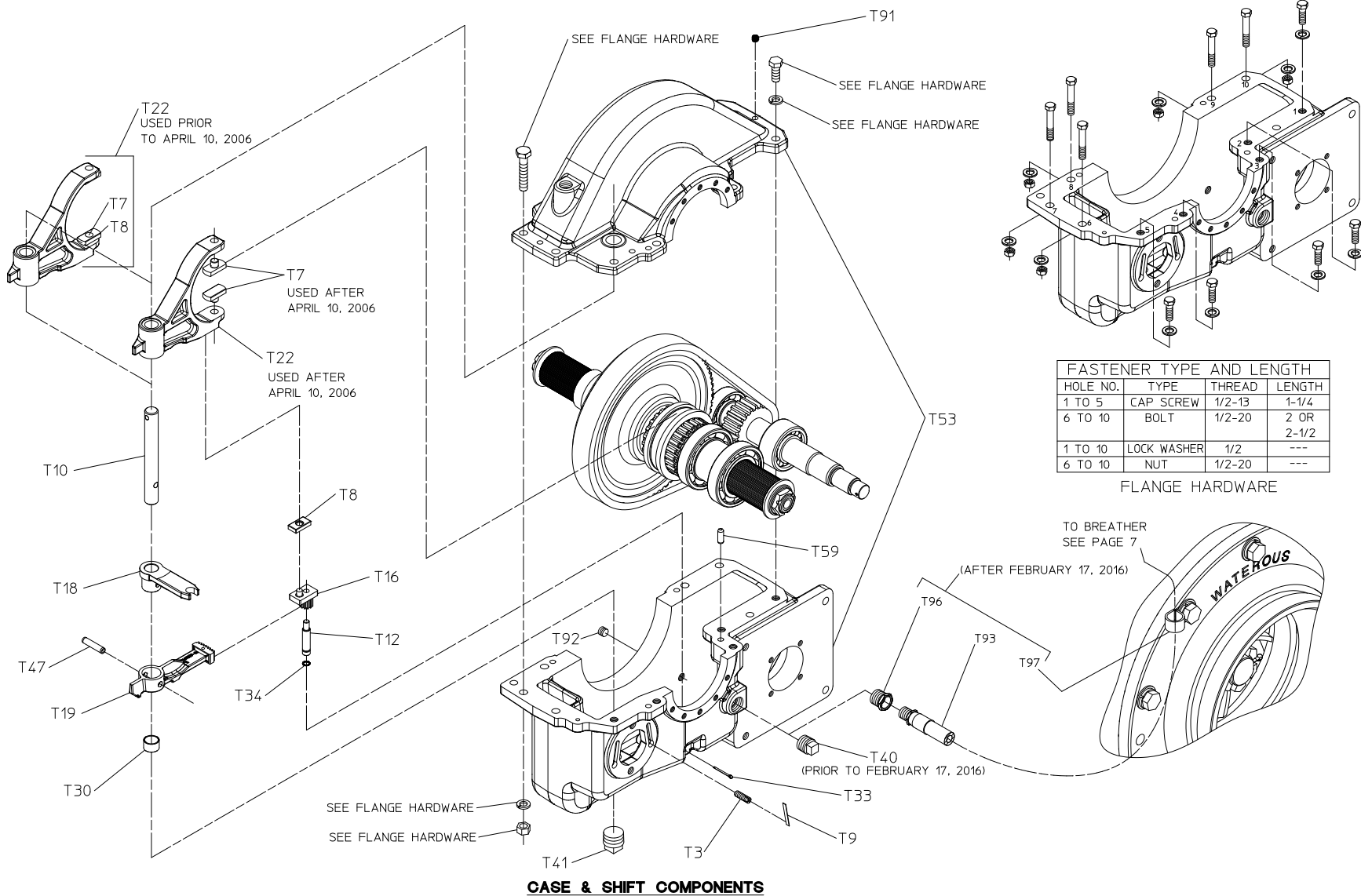
REF NO.	DESCRIPTION
T64	Coupling Shaft Spacer
T66	Drive Shaft
T67	Coupling Shaft
T71	Needle Bearing
T73	Castle Nut, 1-1/4 in.
T74	Cotter Pin, 1/8 x 1-3/4 in.
T76	Retaining Ring
T77	Plain Washer, 1-1/4 in.
T78	Single Row Ball Bearing
T80	Oil Flinger Assembly (Includes T83, T84, T85)
T83	Flinger
T84	Flinger Hub
T85	Socket Hd Screw, 10-24 x 3/8 in.
T90	Drive Shaft Spacer



Case and Shaft Components

REF NO.	DESCRIPTION
T3	Adjusting Screw
T7	Shifter Shoe Stud
T8	Shift Shoe
T9	Adjusting Screw Retainer
T10	Shift Shaft
T12	Pivot Pin
T16	Locking Arm
T18	Shift Actuating Lever
T19	Sector Gear
T22	Shift Fork Assembly
T30	Sleeve Bearing
T33	Cotter Pin, 1/8 x 1-1/4 in.

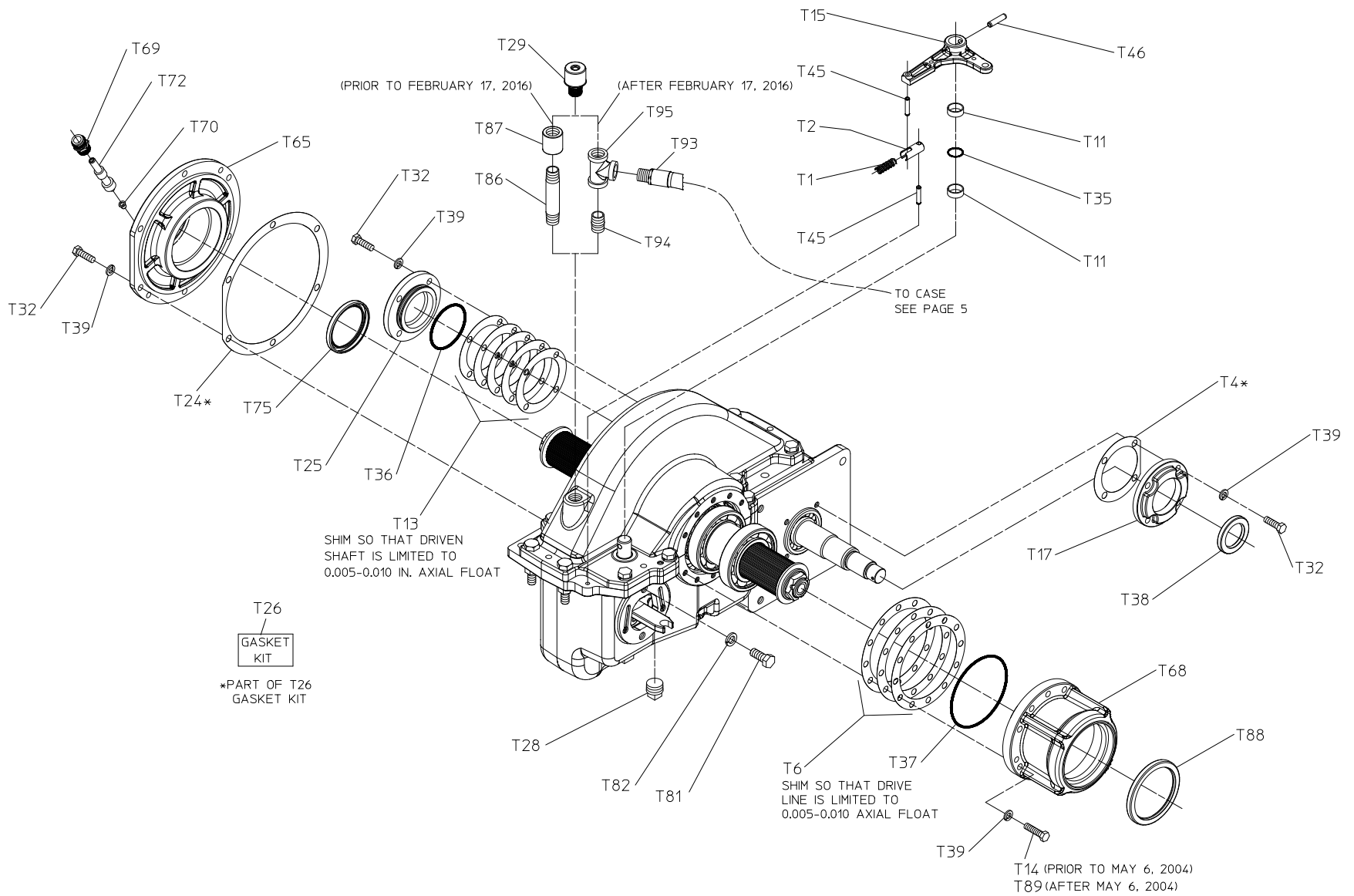
REF NO.	DESCRIPTION
T34	O-ring, 3/8 x 1/2 in.
T40	Pipe Plug, 3/4 NPT
T41	Pipe Plug, 1 NPT
T47	Heavy Spirol Pin, 3/8 x 1-3/8 in.
T53	Chain Case Subassembly
T59	Dowel Pin
T91	Set Screw, 3/8 x 3/8 in.
T92	Pipe Plug, 1/4 NPT
T93	Hose Assy, 1/2 NPT x 26 in.
T96	Reducing Bushing, 3/4 x 1/2
T97	Cable Clamp, 1 in.



Case and Shift Components

REF NO.	DESCRIPTION
T1	Shift Lock Spring
T2	Spring Housing
T4	Gasket
T6	Pack Shim
T11	Sleeve Bearing
T13	Pack Shim
T14	Threaded Seal Hex Hd Screw, 3/8-16 x 1-1/4 in.
T15	Shift Arm
T17	Oil Seal Housing
T24	Gasket
T25	Impeller Shaft Cover
T26	Gasket Kit
T28	Magnetic Drain Plug, 3/4 NPT
T29	Breather, 1/2 NPT
T32	Hex Hd Screw, 3/8-16 x 1-1/4 in.
T35	O-ring, 7/8 x 1 in.
T36	O-ring, 2-7/8 x 3-1/8 in.
T37	O-ring, 4-3/4 x 5 in.

REF NO.	DESCRIPTION
T38	Oil Seal, 1-5/8 x 2.506
T39	Lock Washer, 3/8 in.
T45	Heavy Spirol Pin, 1/4 x 1-1/4 in.
T46	Heavy Spirol Pin, 5/16 x 1-3/8 in.
T65	Housing Assembly
T68	Coupling Shaft Housing
T69	Tachometer Sleeve
T70	Tachometer Bushing
T72	Tachometer Driven Gear
T75	Oil Seal, 2-3/4 x 3-1/2 in.
T81	Screw, 1/2-13 x 1-1/4 in.
T82	Lock Washer, 1/2 in.
T86	Pipe Nipple, 1/2 x 4 in.
T87	Pipe Coupling, 1/2 in.
T88	Oil Seal, 3-1/2 x 4-3/8 in.
T93	Hose Assembly, 1/2 NPT x 26 in.
T94	Pipe Nipple, 1/2 x 1-1/8 in.
T95	Pipe Tee, 1/2 NPT

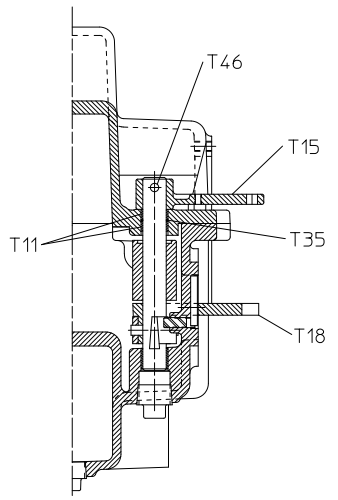
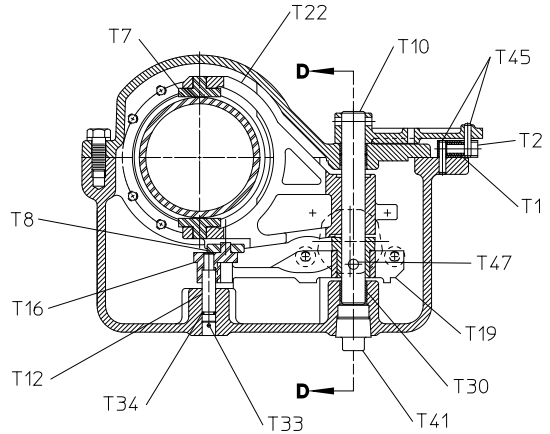
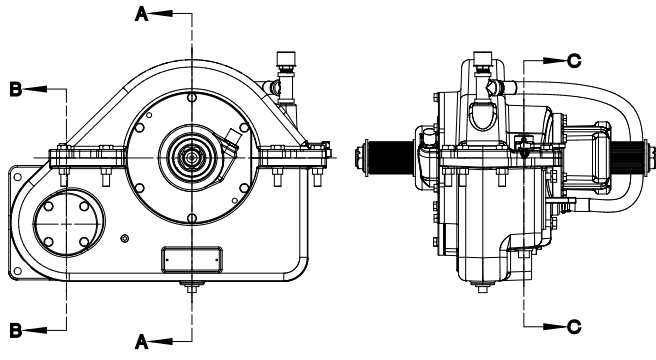


CASE & SHIFT COMPONENTS

Cross-Section Views

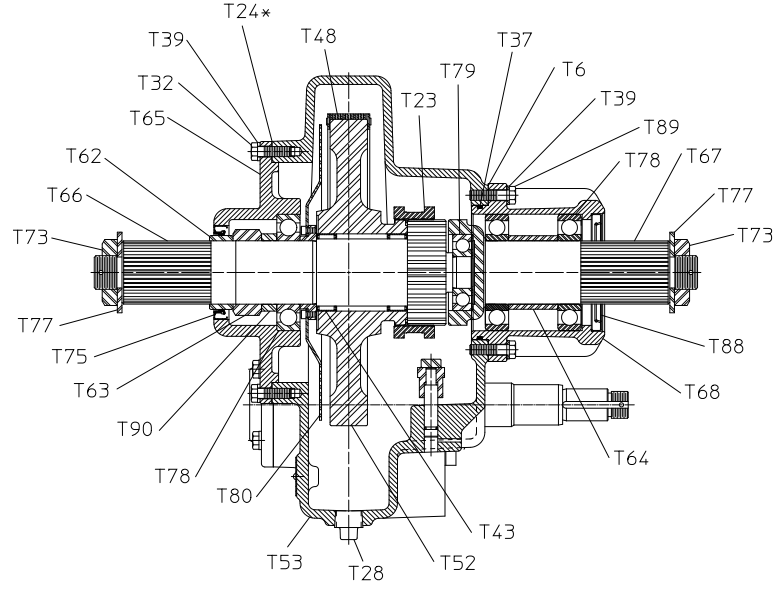
REF NO.	DESCRIPTION
T1	Shift Lock Spring
T2	Spring Housing
T4	Gasket
T6	Pack Shim
T7	Shifter Shoe Stud
T8	Shift Shoe
T10	Shift Shaft
T11	Sleeve Bearing
T12	Pivot Pin
T13	Pack Shim
T15	Shift Arm
T16	Locking Arm
T17	Oil Seal Housing
T18	Shift Actuating Lever
T19	Sector Gear
T20	Impeller Shaft Spacer
T21	Impeller Shaft Spacer
T22	Shift Fork Assembly
T23	Shift Collar
T24	Gasket
T25	Impeller Shaft Cover
T26	Gasket Kit
T27	Bearing Lock Nut
T28	Magnetic Drain Plug, 3/4 NPT
T30	Sleeve Bearing
T31	Bearing Lock Washer
T32	Hex Hd Screw, 3/8-16 x 1-1/4 in.
T33	Cotter Pin, 1/8 x 1-1/4 in.
T34	O-ring, 3/8 x 1/2 in.
T35	O-ring, 7/8 x 1 in.

REF NO.	DESCRIPTION
T36	O-ring, 2-7/8 x 3-1/8 in.
T37	O-ring, 4-3/4 x 5 in.
T38	Oil Seal, 1-5/8 x 2.506
T39	Lock Washer, 3/8 in.
T41	Pipe Plug, 1 NPT
T43	Double Row Ball Bearing
T44	Single Row, Ball Bearing
T45	Heavy Spirol Pin, 1/4 x 1-1/4 in.
T46	Heavy Spirol Pin, 3/8 x 1-3/4 in.
T47	Heavy Spirol Pin, 3/8 x 1-3/4 in.
T48	Chain, 92 Pitch
T49	Driven Sprocket, 23T
T52	Drive Sprocket, 71T
T53	Chain Case Subassembly
T63	Tachometer Drive Gear
T64	Coupling Shaft Spacer
T65	Housing Assembly
T66	Drive Shaft
T67	Coupling Shaft
T68	Coupling Shaft Housing
T73	Castle Nut, 1-1/4 in.
T75	Oil Seal, 2-3/4 x 3-1/2 in.
T77	Plain Washer, 1-1/4 in.
T78	Single Row Ball Bearing
T79	Single Row Ball Bearing
T80	Oil Flinger Assembly
T88	Oil Seal, 3-1/2 x 4-3/8 in.
T89	Hex Hd Screw with Thread Sealant, 3/8-16 x 1-1/2 in.
T90	Drive Shaft Spacer

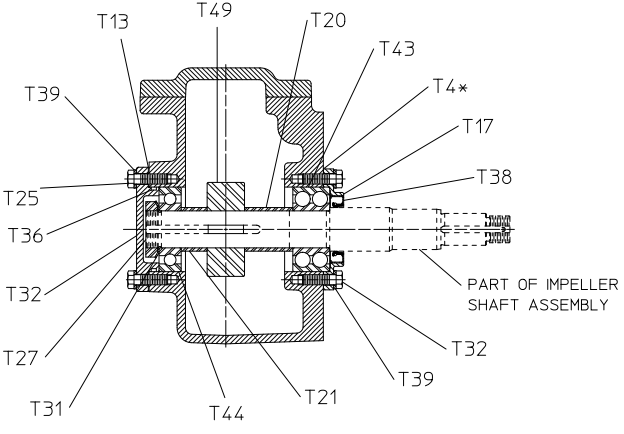


SECTION C-C

SECTION D-D



SECTION A-A



SECTION B-B

T26
GASKET
KIT
*PART OF T26
GASKET
KIT